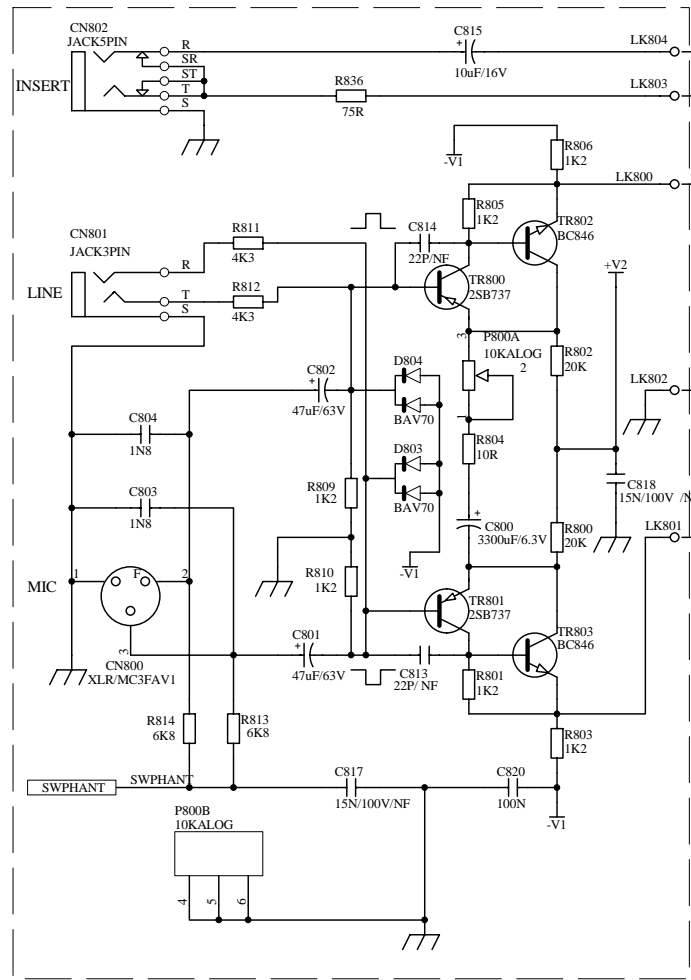


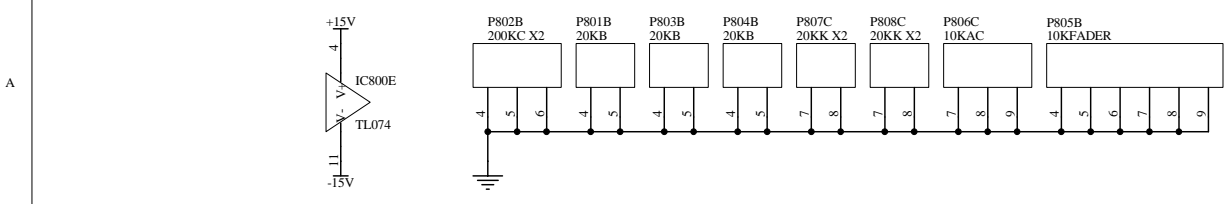
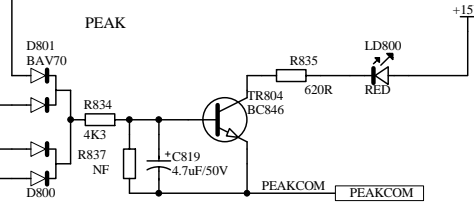
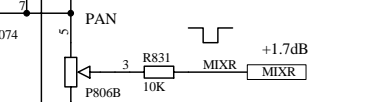
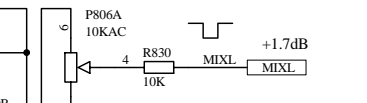
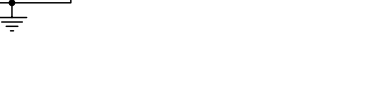
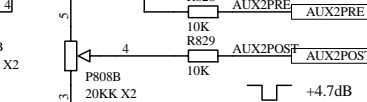
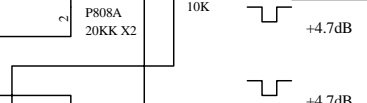
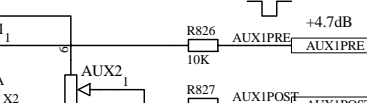
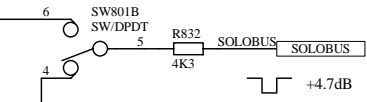
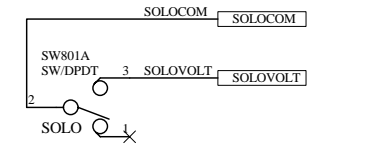
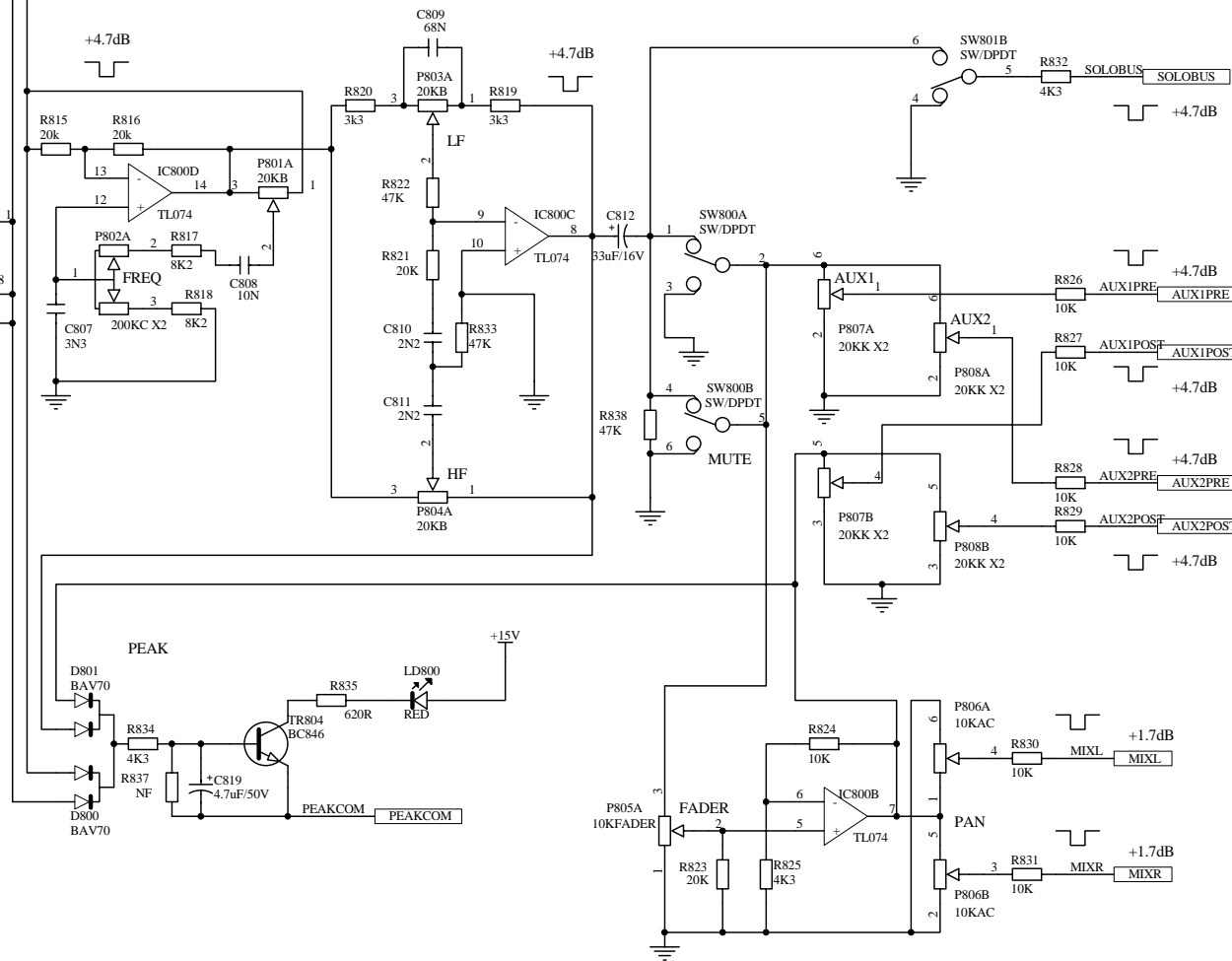
REVISION	DATE	REVISION DESCRIPTION
	17-Feb-2006	

TITLE: EPM6 MIXER	
SHEET: EPM6	1 OF 11
Model Name:	
@Part No:	
Part No:	
BM File Name:	Scale:
Prepared by:	Checked by:
Date:	Date:
Approved by:	
Date:	

PARTS ENCLOSED BY DOTTED LINE
ARE ON THE TOP BREAK-OFF SECTION



SIGNAL LEVELS ARE FOR:
MIC INPUT AT MINIMUM GAIN SETTING
CHANNEL FADER AT "0dB"
PAN-POT AND ALL EQ POTS AT CENTRE POSITION



REVISION	DATE	REVISION DESCRIPTION
	17-Feb-2006	

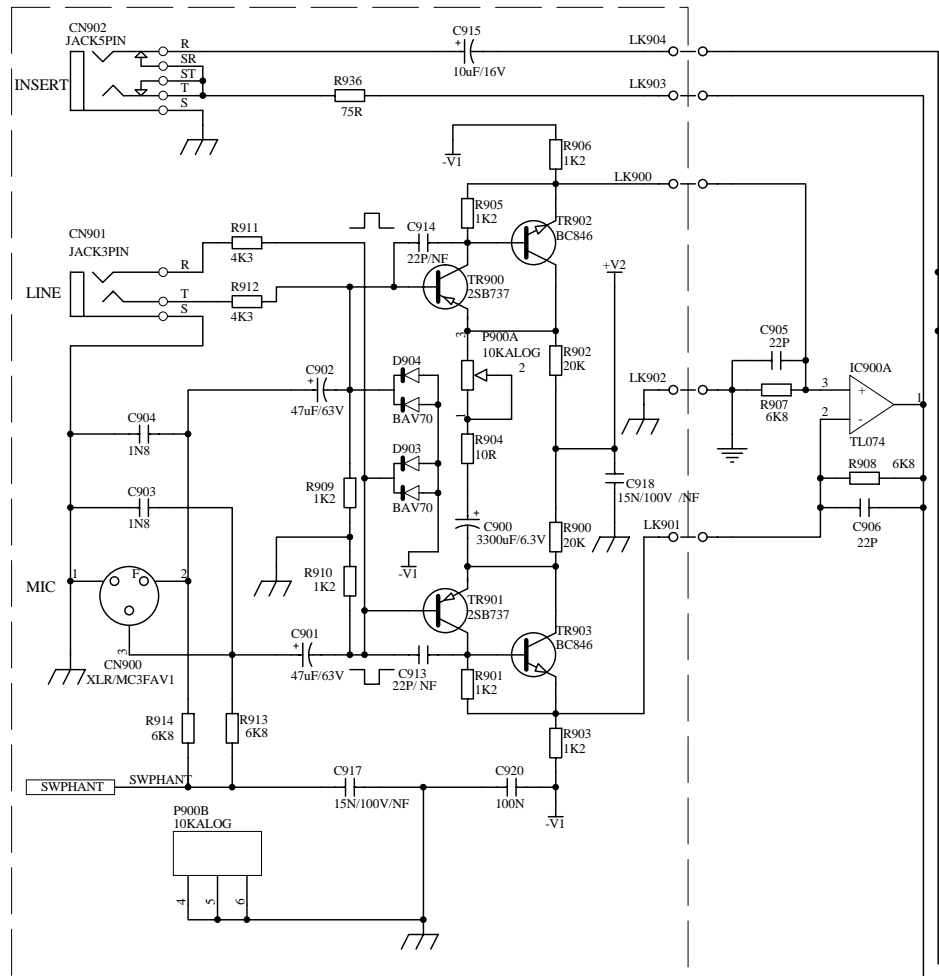
TITLE: EPM6 MIXER

SHEET: Sheet-A4 3 OF 11

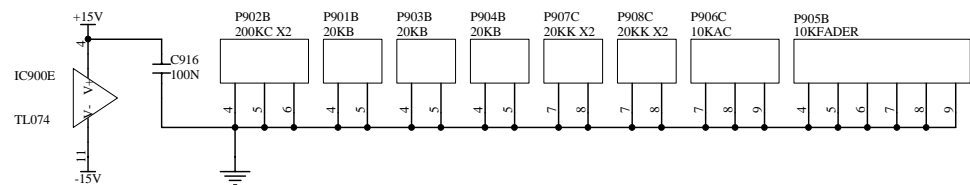
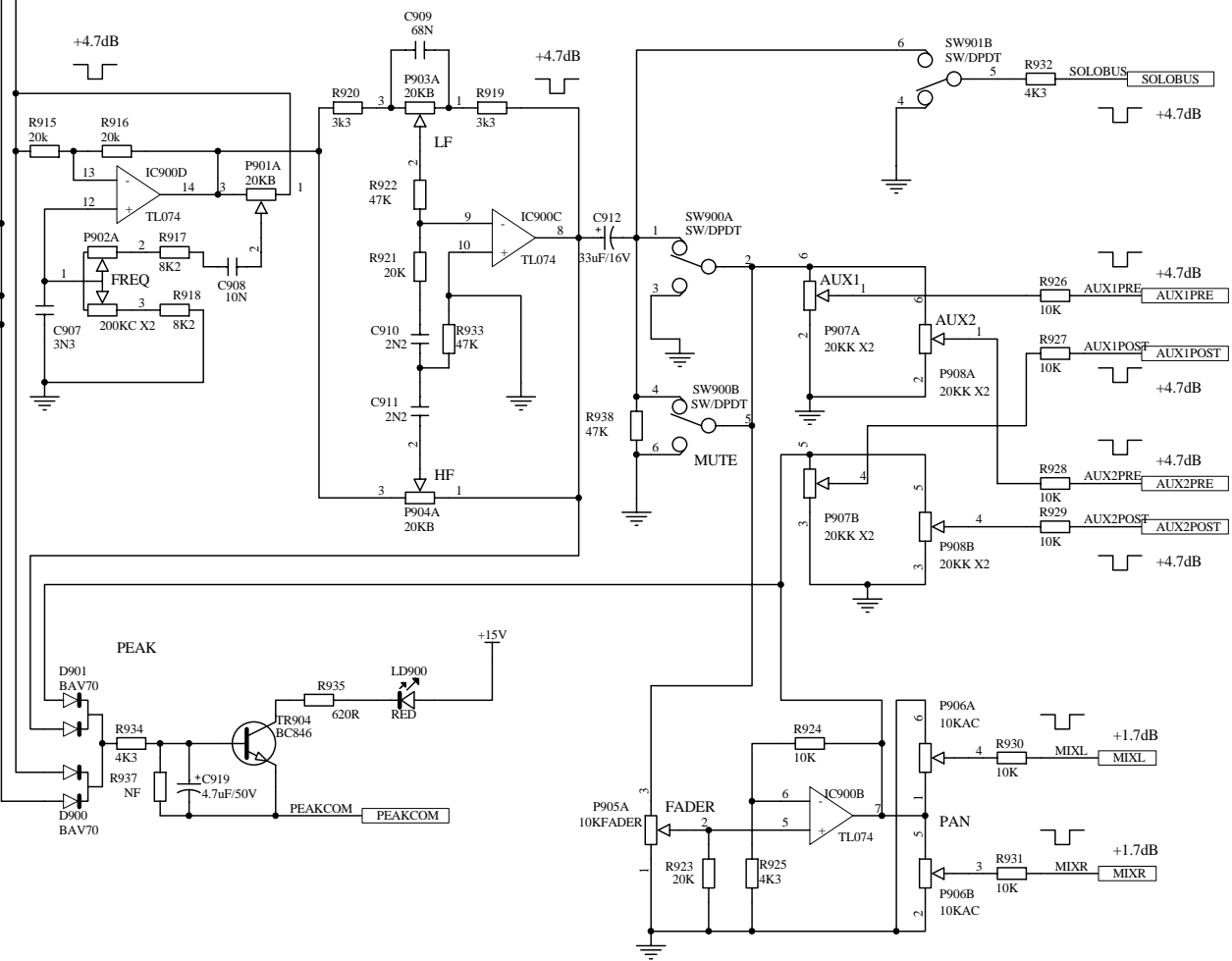
Model Name:
@Part No:
Part No:

BM File Name: Scale:
Prepared by: Checked by:
Date: Date:
Approved by:
Date:

PARTS ENCLOSED BY DOTTED LINE
ARE ON THE TOP BREAK-OFF SECTION

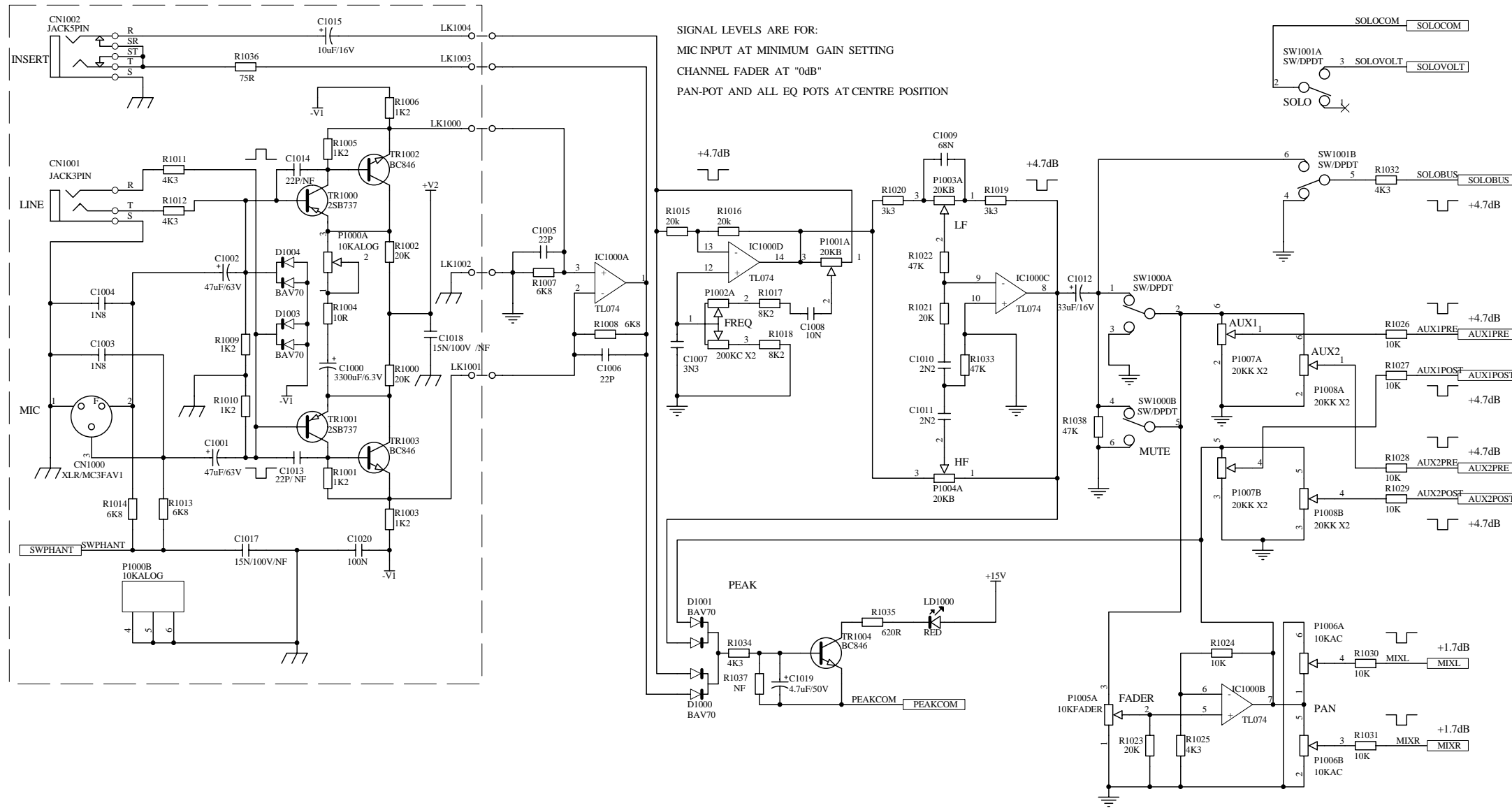


SIGNAL LEVELS ARE FOR:
MIC INPUT AT MINIMUM GAIN SETTING
CHANNEL FADER AT "0dB"
PAN-POT AND ALL EQ POTS AT CENTRE POSITION

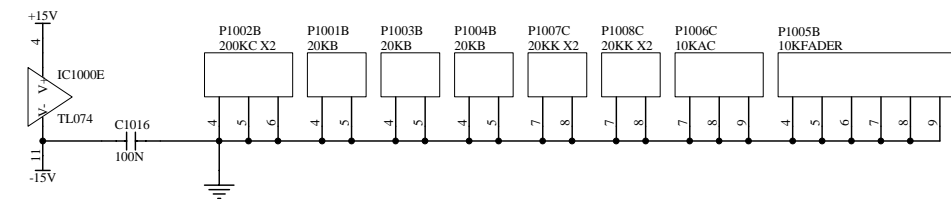


	17-Feb-2006	
REVISION	DATE	REVISION DESCRIPTION
TITLE: EPM6 MIXER		
SHEET: Sheet-A3 4 OF 11		
Model Name:		
@Part No:		
Part No:		
BM File Name:	Scale:	
Prepared by:	Checked by:	
Date:	Date:	
Approved by:		
Date:		

PARTS ENCLOSED BY DOTTED LINE
ARE ON THE TOP BREAK-OFF SECTION



SIGNAL LEVELS ARE FOR:
MIC INPUT AT MINIMUM GAIN SETTING
CHANNEL FADER AT "0dB"
PAN-POT AND ALL EQ POTS AT CENTRE POSITION



REVISION	DATE	REVISION DESCRIPTION
	17-Feb-2006	

TITLE: EPM6 MIXER

SHEET: Sheet-A2 5 OF 11

Model Name: _____

@Part No: _____

Part No: _____

BM File Name: _____ Scale: _____

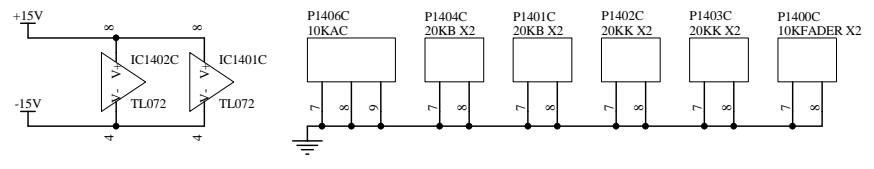
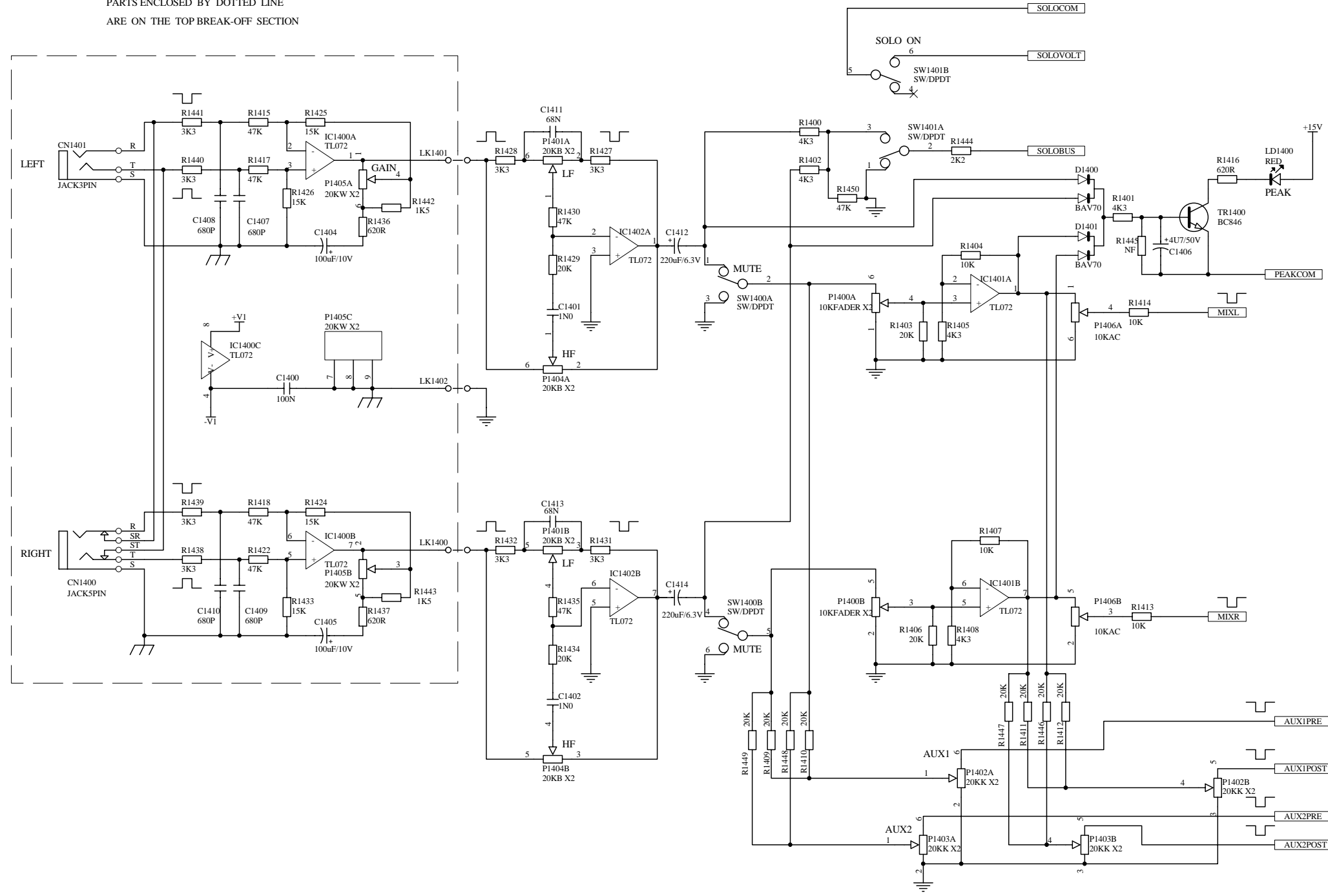
Prepared by: _____ Checked by: _____

Date: _____ Date: _____

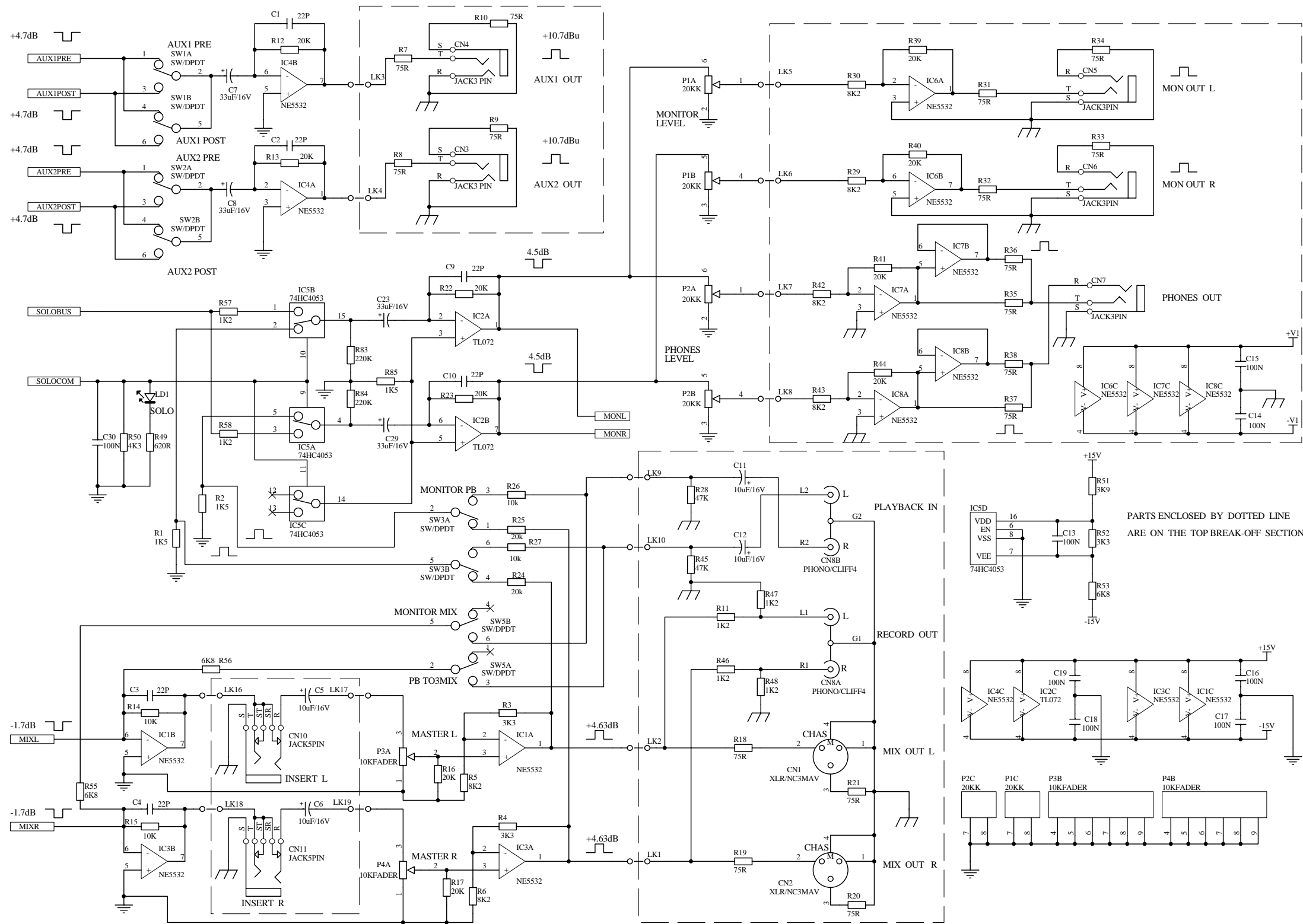
Approved by: _____

Date: _____

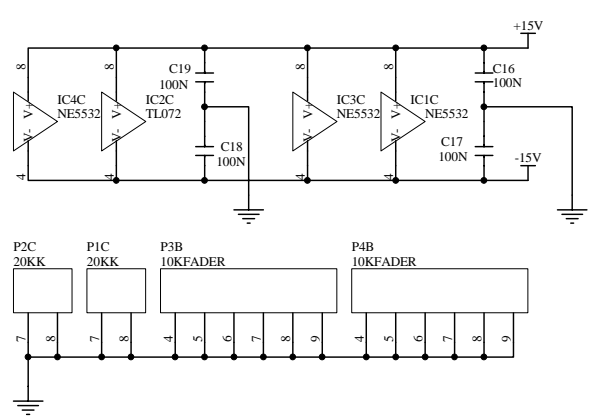
PARTS ENCLOSED BY DOTTED LINE
ARE ON THE TOP BREAK-OFF SECTION



	17-Feb-2006	
REVISION	DATE	REVISION DESCRIPTION
TITLE: EPM6 MIXER		
SHEET: Sheet-C 9 OF 11		
Model Name:		
@Part No:		
Part No:		
BM File Name:	Scale:	
Prepared by:	Checked by:	
Date:	Date:	
Approved by:	Date:	



PARTS ENCLOSED BY DOTTED LINE ARE ON THE TOP BREAK-OFF SECTION



REVISION	DATE	REVISION DESCRIPTION
	17-Feb-2006	

TITLE: EPM6 MIXER

SHEET: Sheet-D 11 OF 11

Model Name: _____

@Part No: _____

Part No: _____

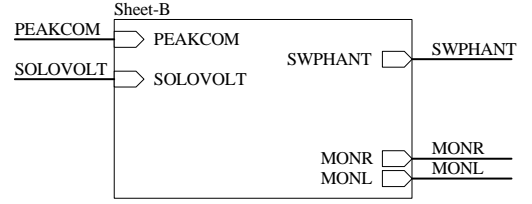
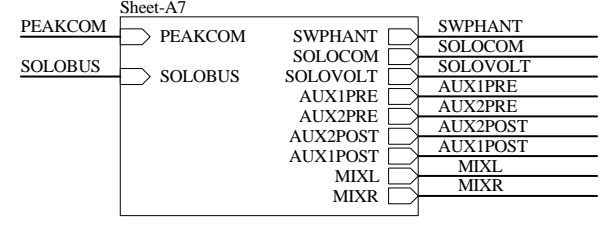
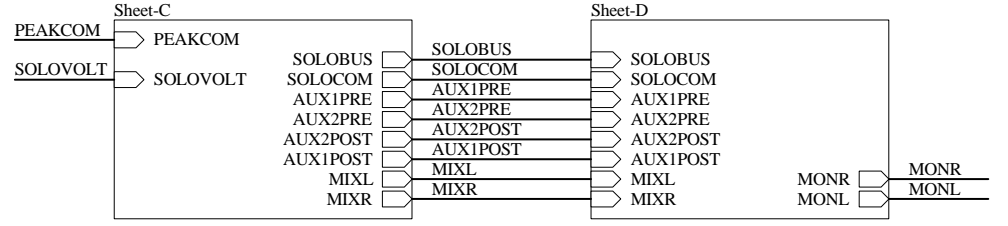
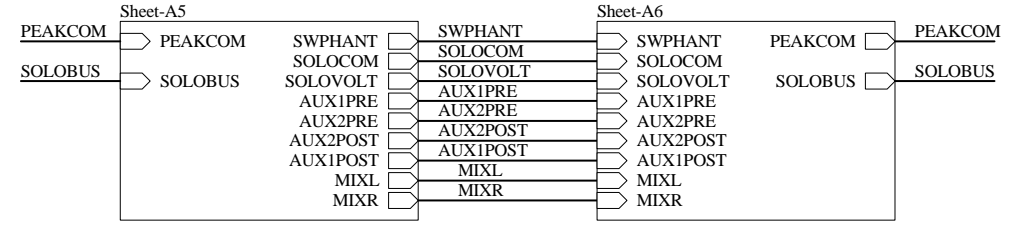
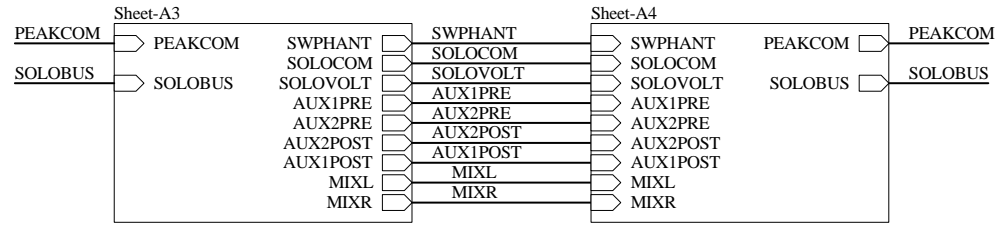
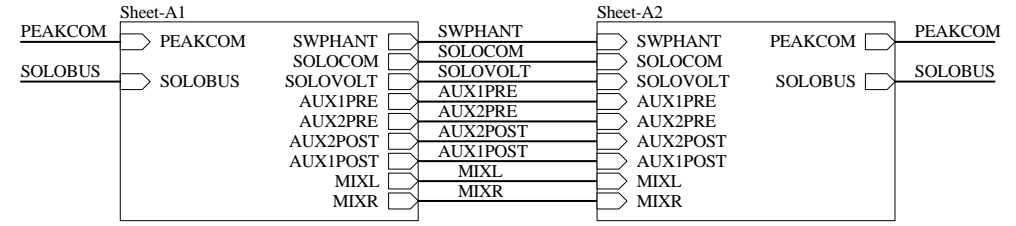
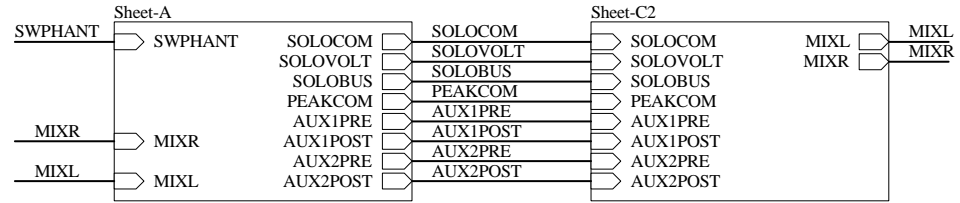
BM File Name: _____ Scale: _____

Prepared by: _____ Checked by: _____

Date: _____ Date: _____

Approved by: _____

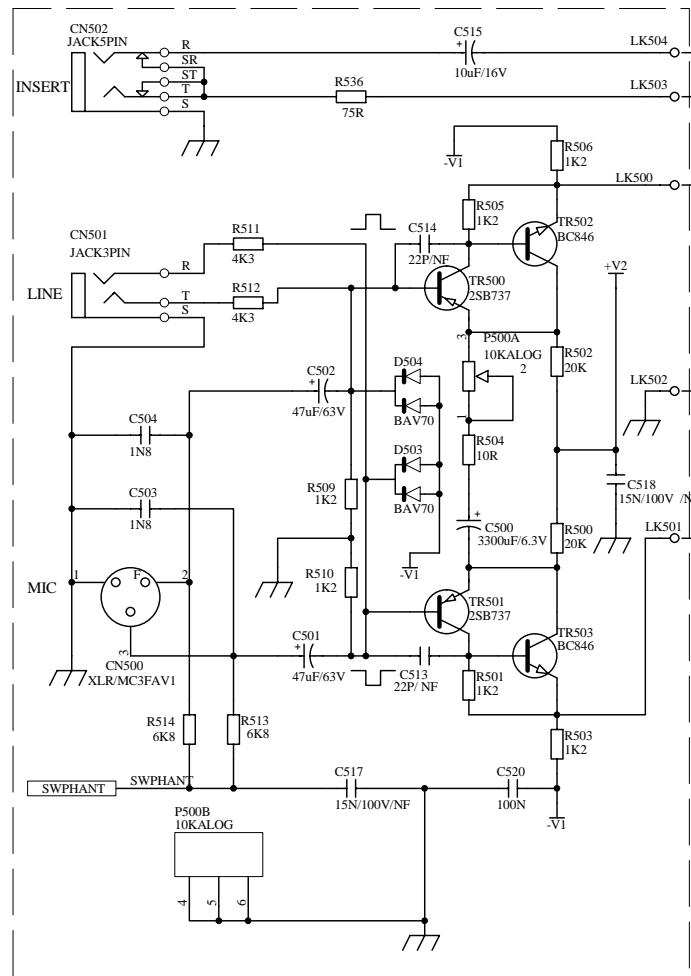
Date: _____



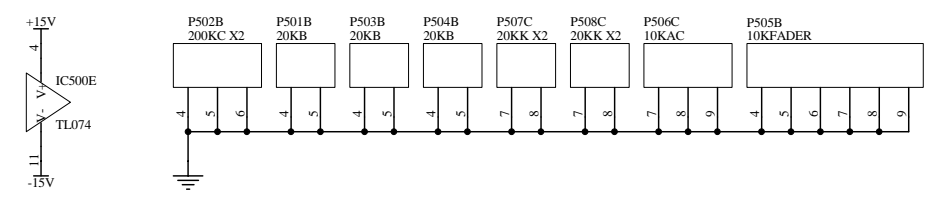
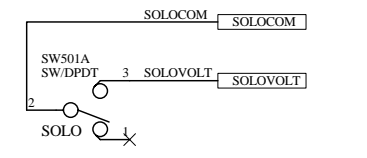
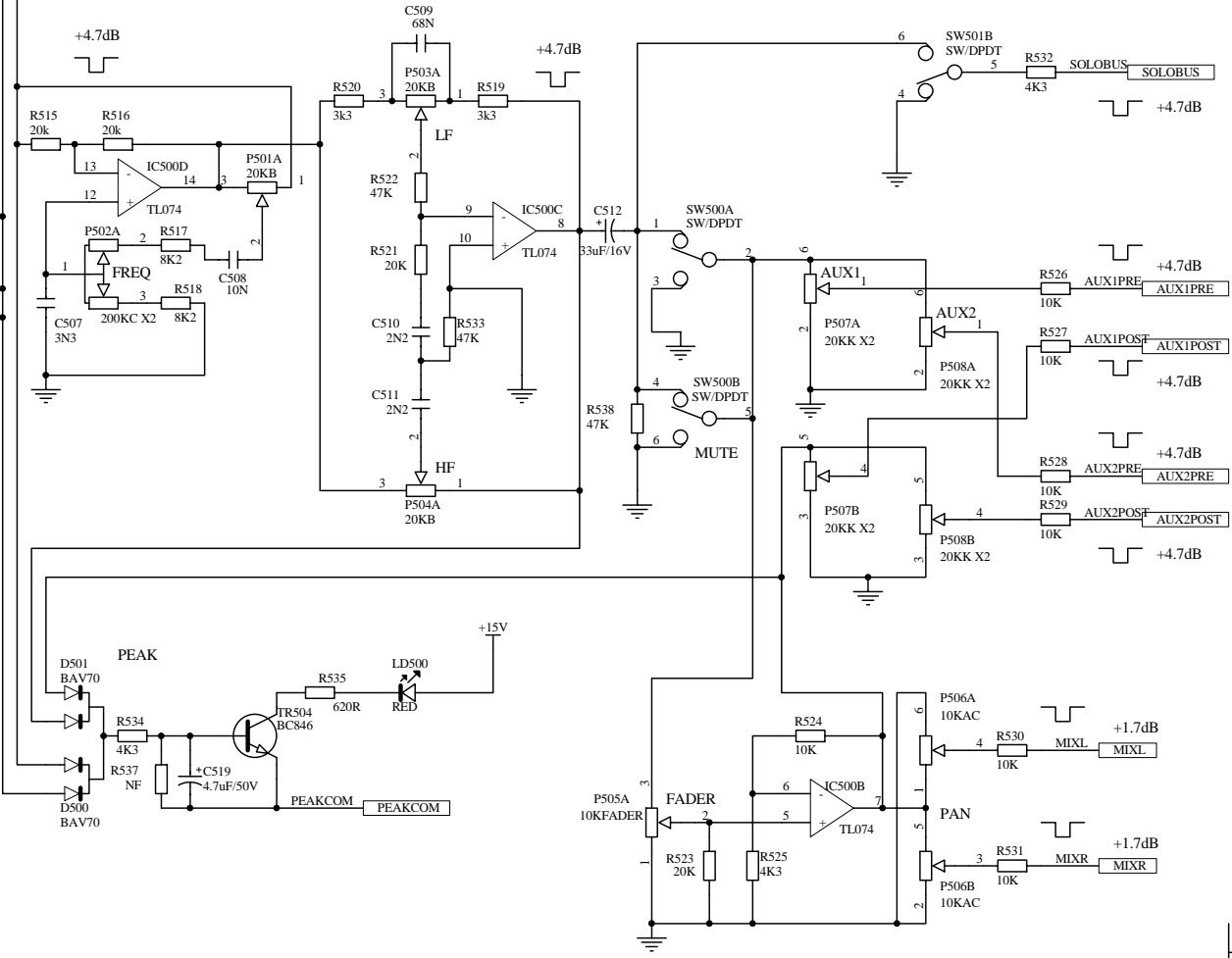
	17-Feb-2006	
REVISION	DATE	REVISION DESCRIPTION

TITLE: EPM8 MIXER	
SHEET: EPM8	1 OF 13
Model Name:	
@Part No:	
Part No:	
BM File Name:	Scale:
Prepared by:	Checked by:
Date:	Date:
Approved by:	
Date:	

PARTS ENCLOSED BY DOTTED LINE
ARE ON THE TOP BREAK-OFF SECTION

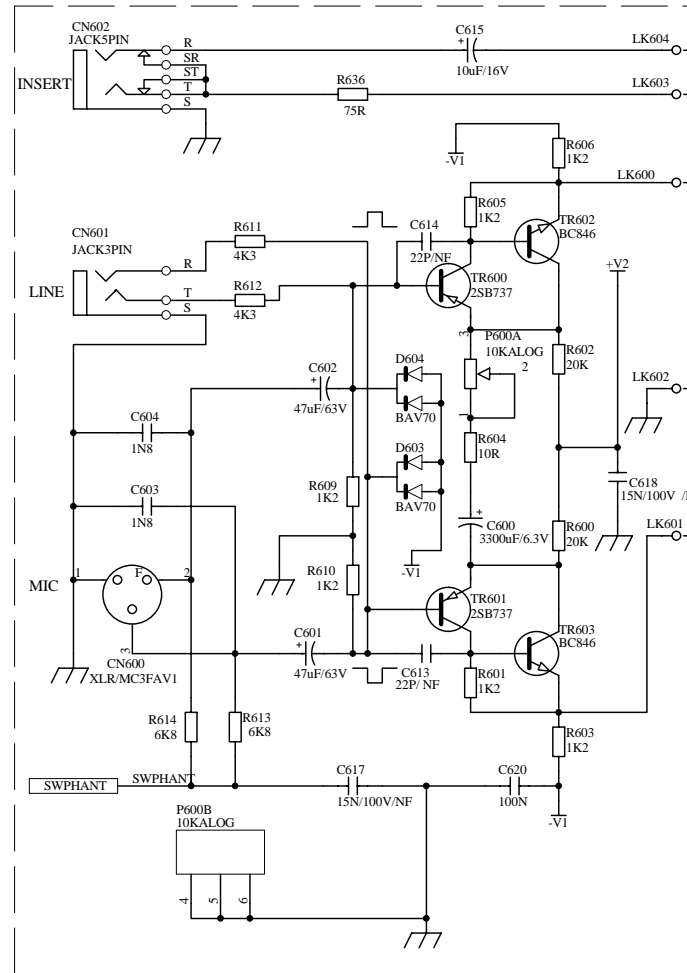


SIGNAL LEVELS ARE FOR:
MIC INPUT AT MINIMUM GAIN SETTING
CHANNEL FADER AT "0dB"
PAN-POT AND ALL EQ POTS AT CENTRE POSITION

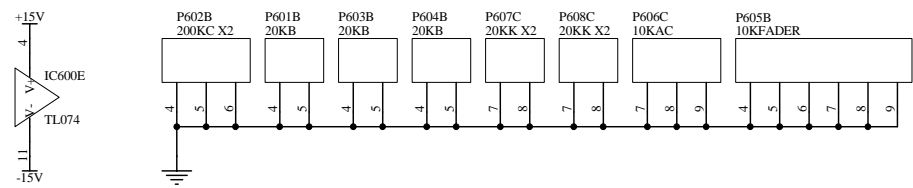
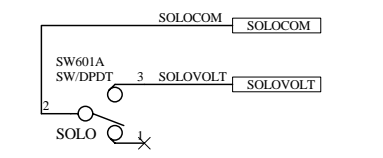
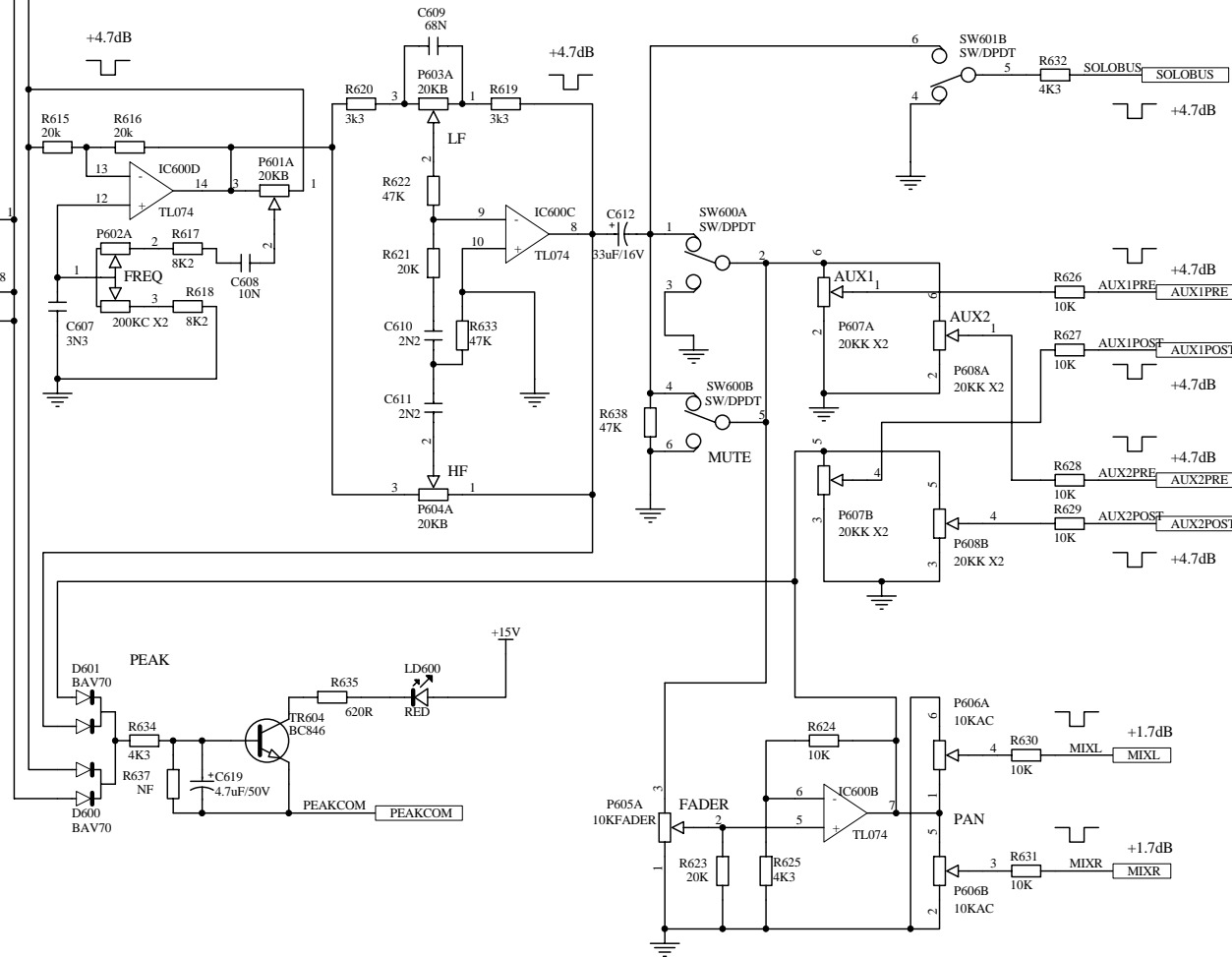


	17-Feb-2006	
REVISION	DATE	REVISION DESCRIPTION
TITLE: EPM8 MIXER		
SHEET: Sheet-A7 2 OF 13		
Model Name:		
@Part No:		
Part No:		
BM File Name:	Scale:	
Prepared by:	Checked by:	
Date:	Date:	
Approved by:	Date:	

PARTS ENCLOSED BY DOTTED LINE
ARE ON THE TOP BREAK-OFF SECTION

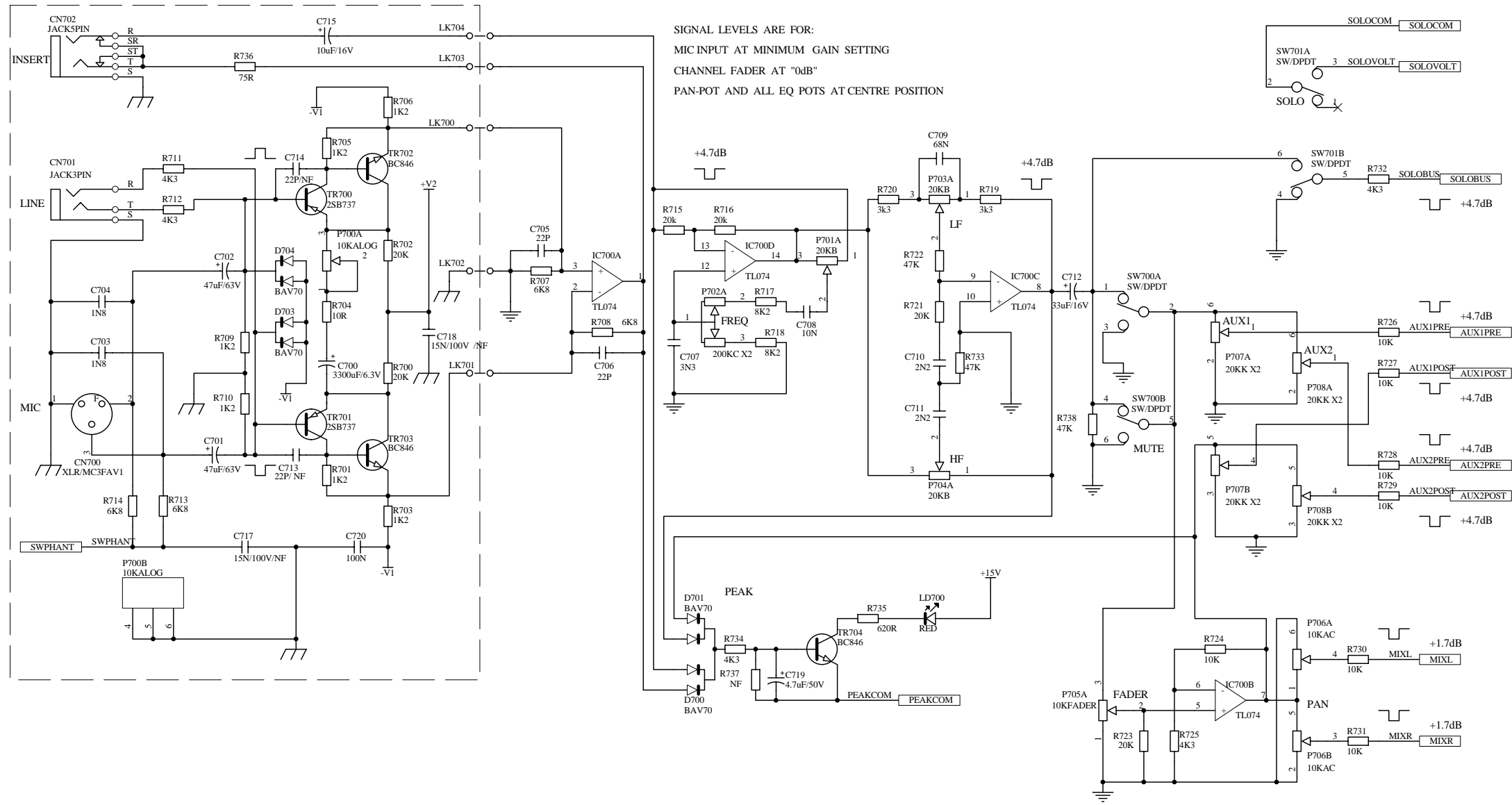


SIGNAL LEVELS ARE FOR:
MIC INPUT AT MINIMUM GAIN SETTING
CHANNEL FADER AT "0dB"
PAN-POT AND ALL EQ POTS AT CENTRE POSITION

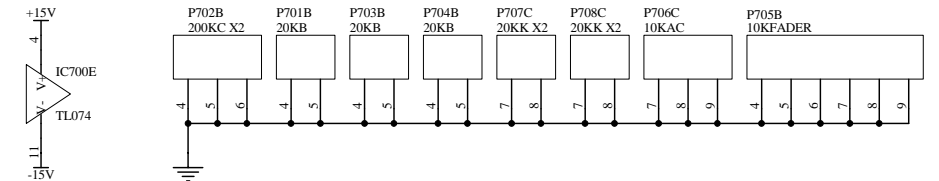
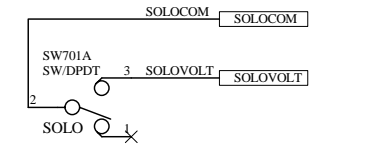


	17-Feb-2006	
REVISION	DATE	REVISION DESCRIPTION
TITLE: EPM8 MIXER		
SHEET: Sheet-A6 3 OF 13		
Model Name:		
@Part No:		
Part No:		
BM File Name:	Scale:	
Prepared by:	Checked by:	
Date:	Date:	
Approved by:		
Date:		

PARTS ENCLOSED BY DOTTED LINE
ARE ON THE TOP BREAK-OFF SECTION



SIGNAL LEVELS ARE FOR:
MIC INPUT AT MINIMUM GAIN SETTING
CHANNEL FADER AT "0dB"
PAN-POT AND ALL EQ POTS AT CENTRE POSITION



REVISION	DATE	REVISION DESCRIPTION
	17-Feb-2006	

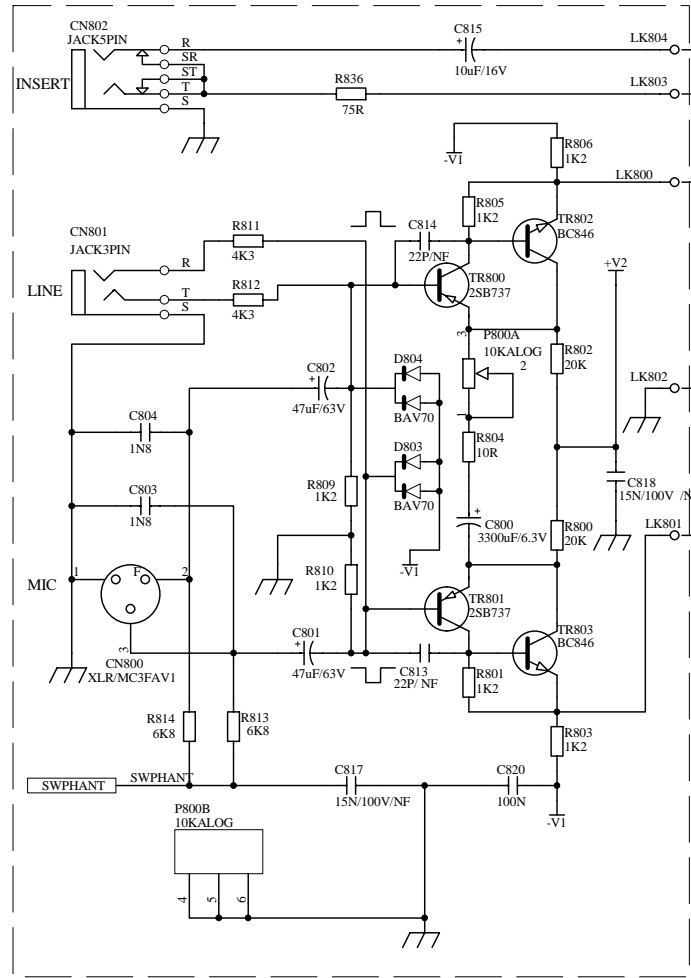
TITLE: EPM8 MIXER

SHEET: Sheet-A3 4 OF 13

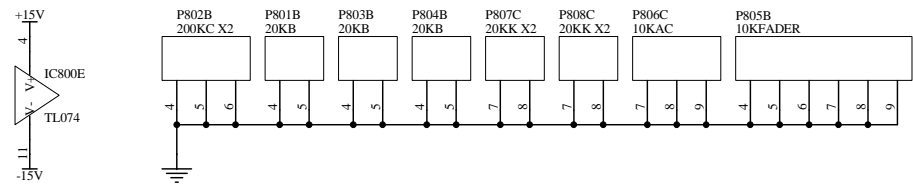
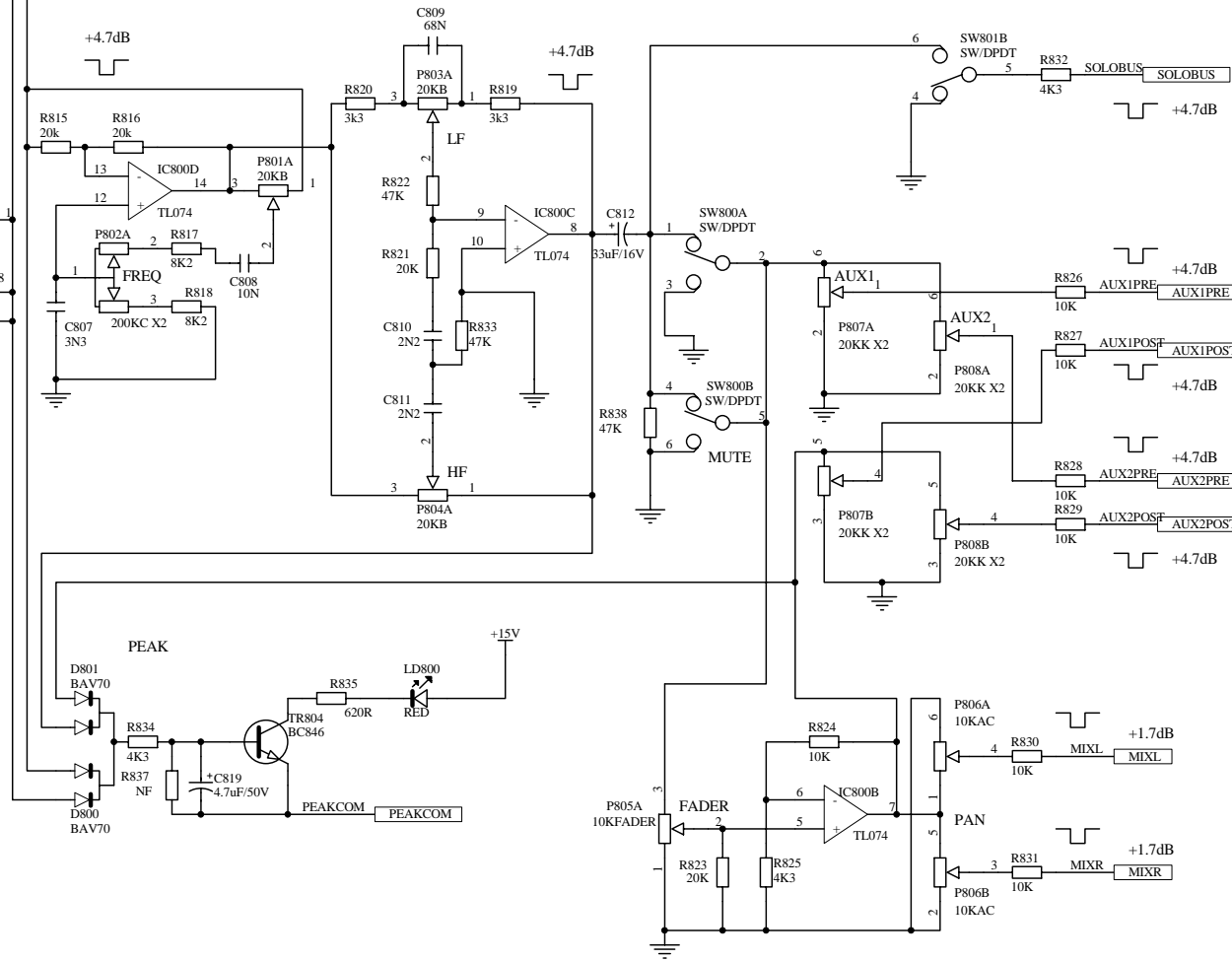
Model Name:
@Part No:
Part No:

BM File Name: Scale:
Prepared by: Checked by:
Date: Date:
Approved by:
Date:

PARTS ENCLOSED BY DOTTED LINE
ARE ON THE TOP BREAK-OFF SECTION



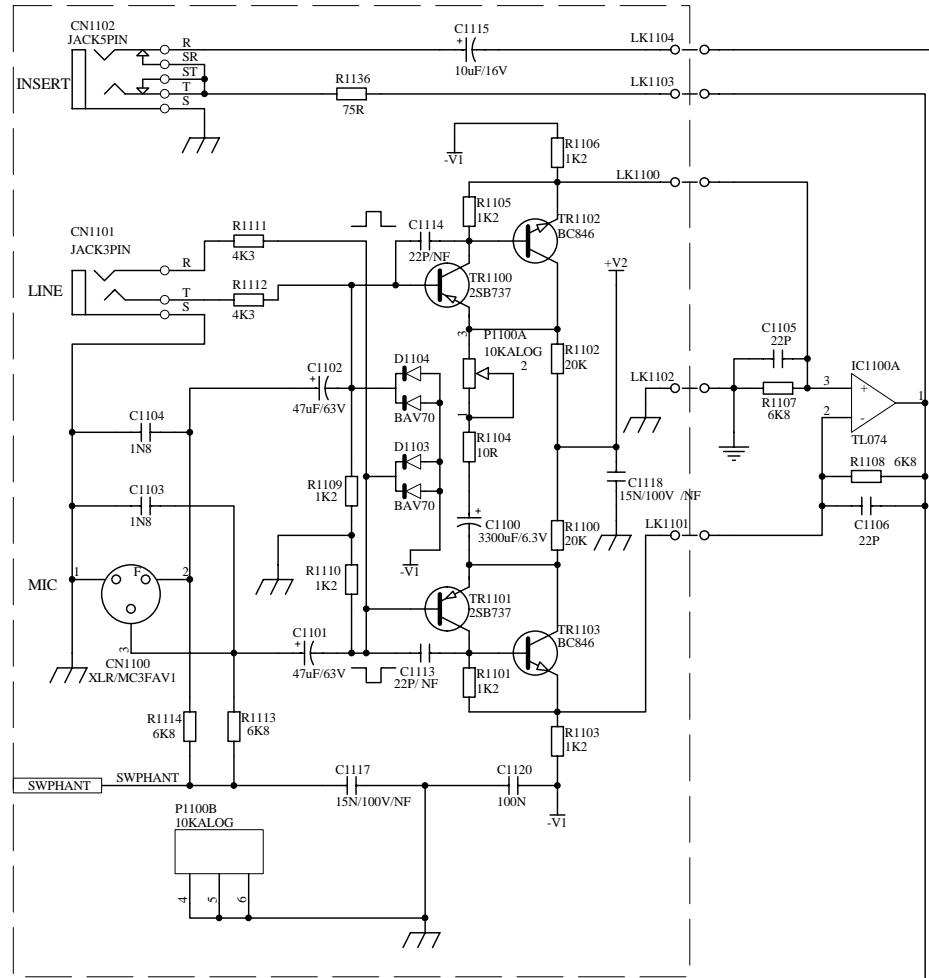
SIGNAL LEVELS ARE FOR:
MIC INPUT AT MINIMUM GAIN SETTING
CHANNEL FADER AT "0dB"
PAN-POT AND ALL EQ POTS AT CENTRE POSITION



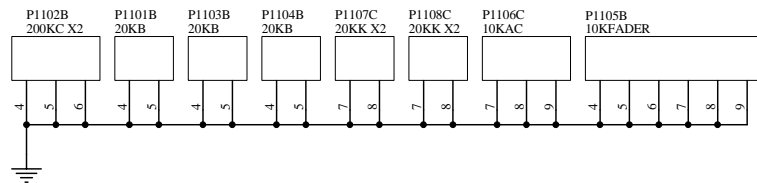
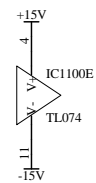
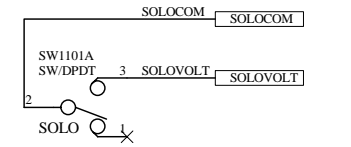
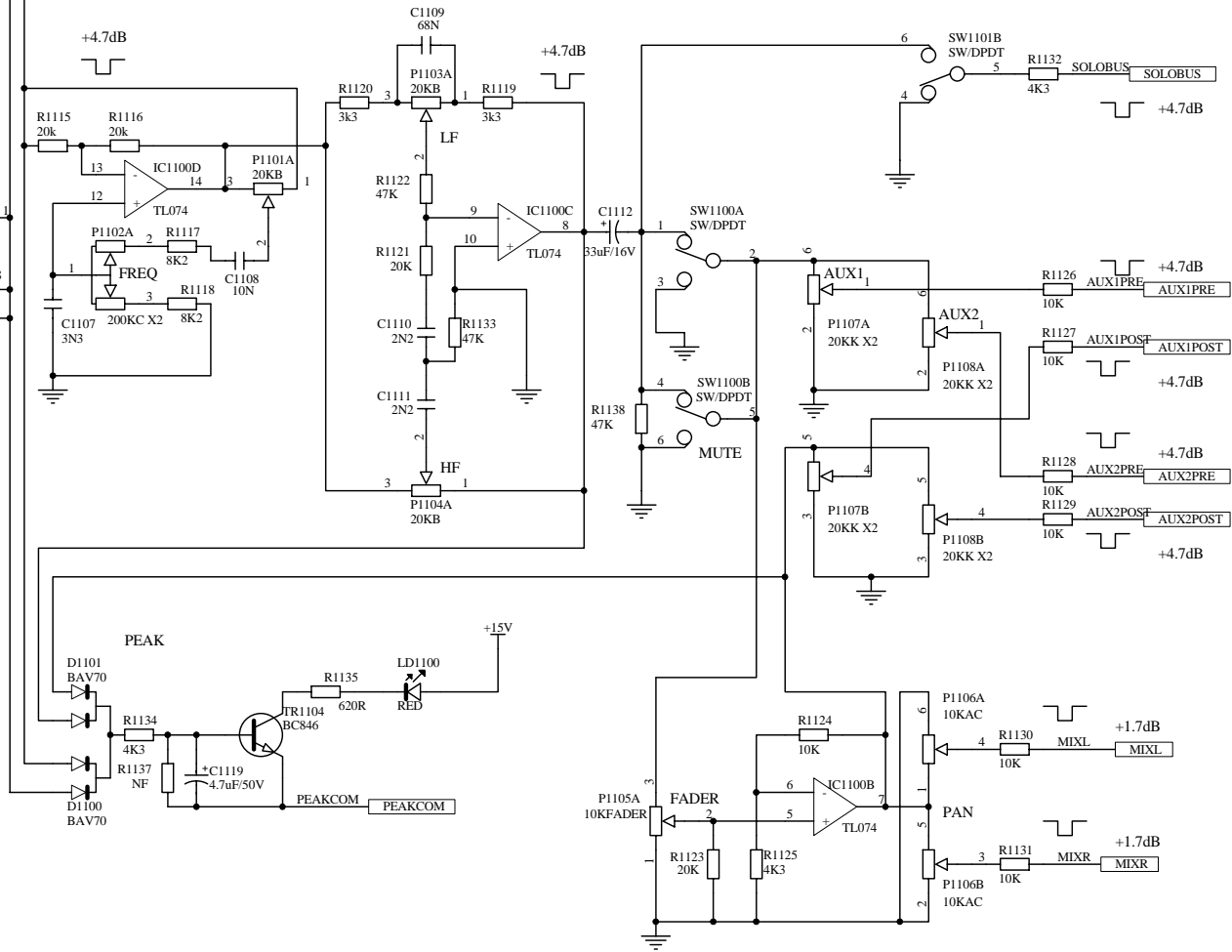
REVISION	DATE	REVISION DESCRIPTION
	17-Feb-2006	

TITLE: EPM8 MIXER	
SHEET: Sheet-A4	5 OF 13
Model Name:	
@Part No:	
Part No:	
BM File Name:	Scale:
Prepared by:	Checked by:
Date:	Date:
Approved by:	
Date:	

PARTS ENCLOSED BY DOTTED LINE
ARE ON THE TOP BREAK-OFF SECTION



SIGNAL LEVELS ARE FOR:
MIC INPUT AT MINIMUM GAIN SETTING
CHANNEL FADER AT "0dB"
PAN-POT AND ALL EQ POTS AT CENTRE POSITION



REVISION	DATE	REVISION DESCRIPTION
	17-Feb-2006	

TITLE: EPM8 MIXER

SHEET: Sheet-A1 8 OF 13

Model Name:

@Part No:

Part No:

BM File Name: Scale:

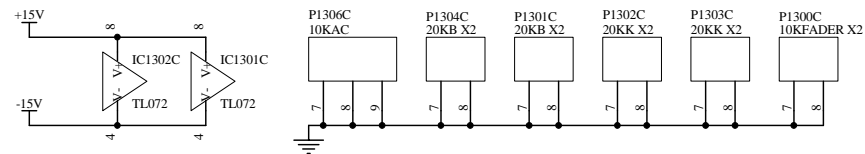
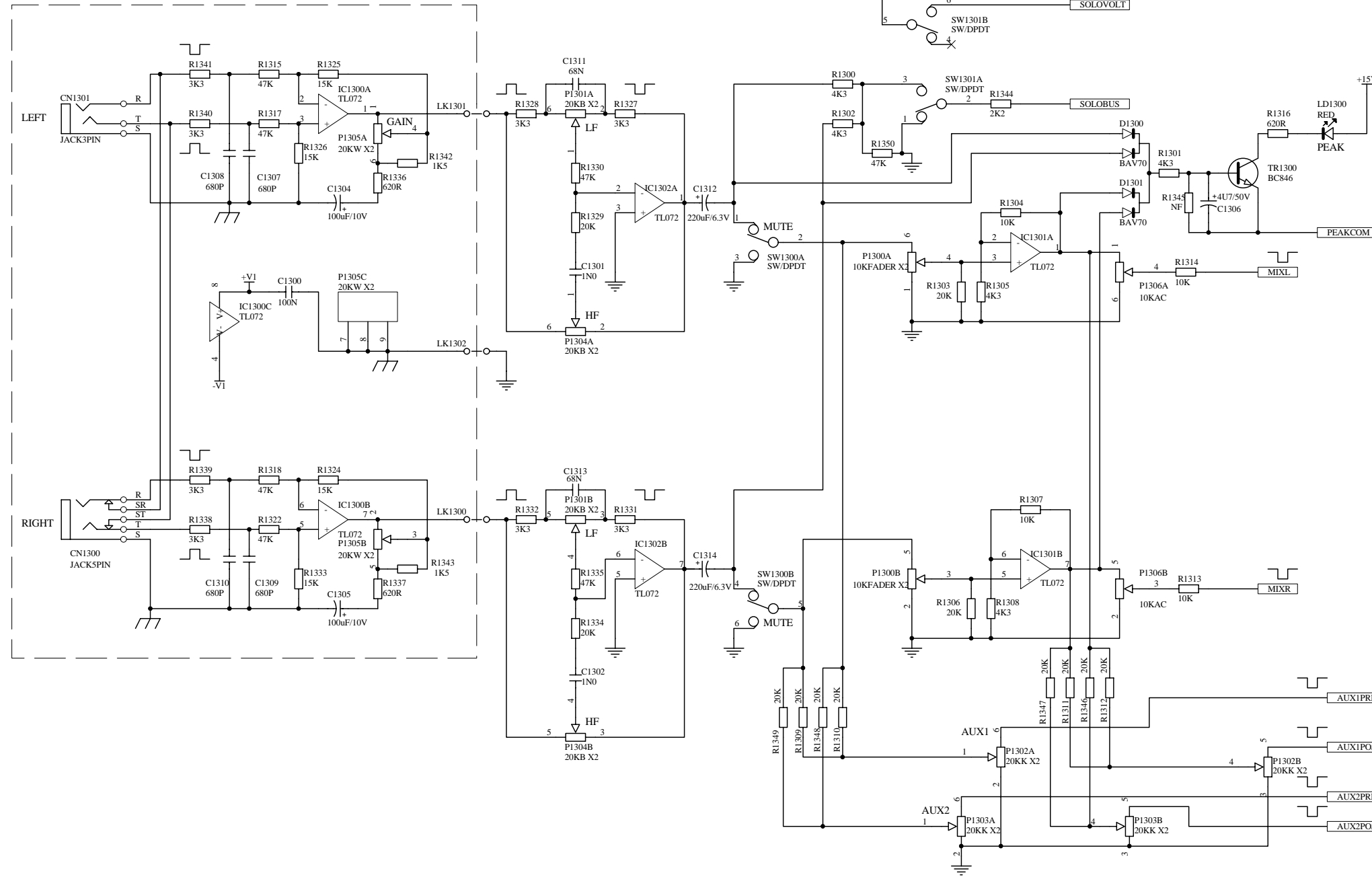
Prepared by: Checked by:

Date: Date:

Approved by:

Date:

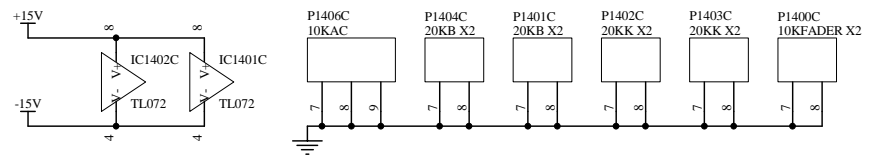
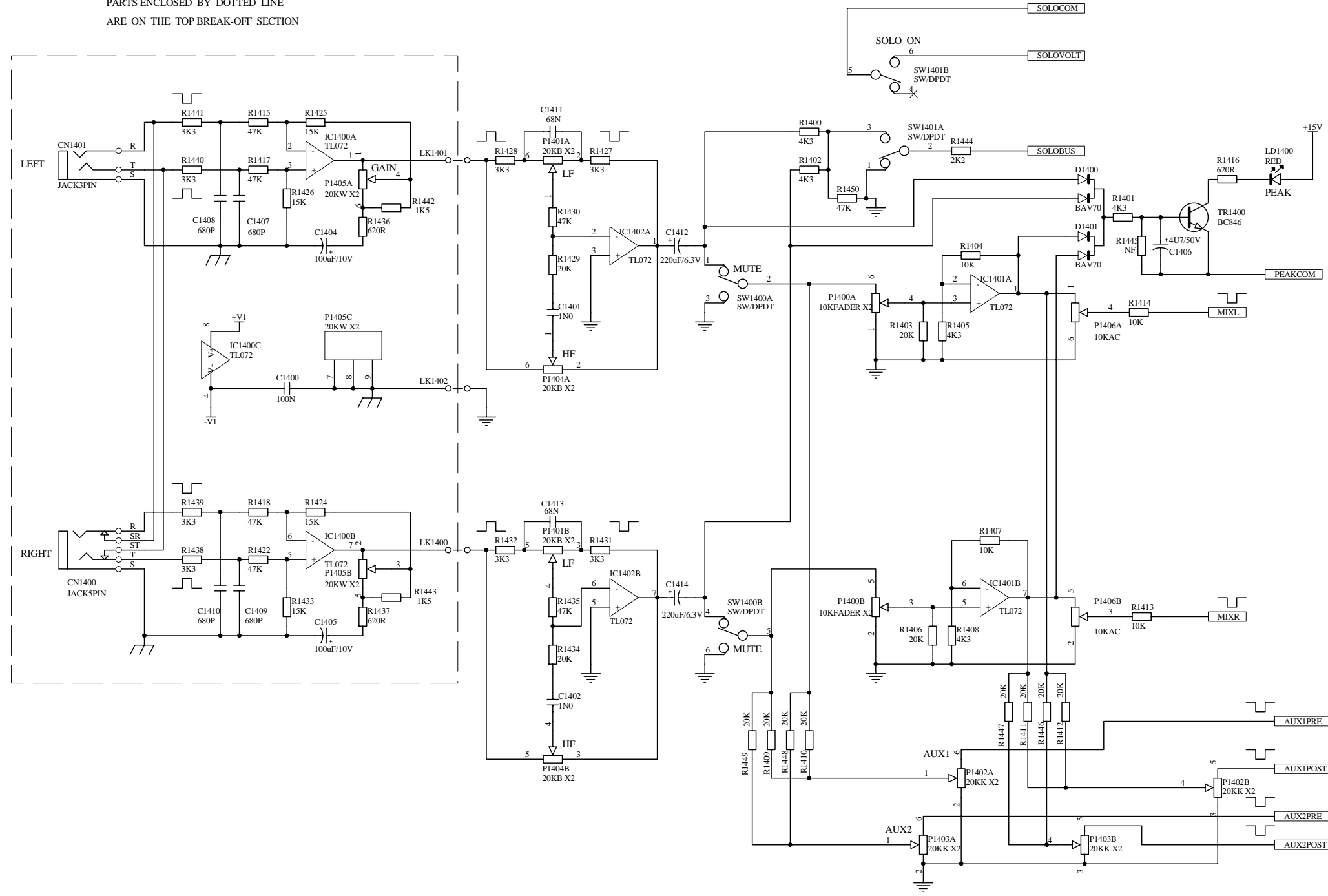
PARTS ENCLOSED BY DOTTED LINE
ARE ON THE TOP BREAK-OFF SECTION



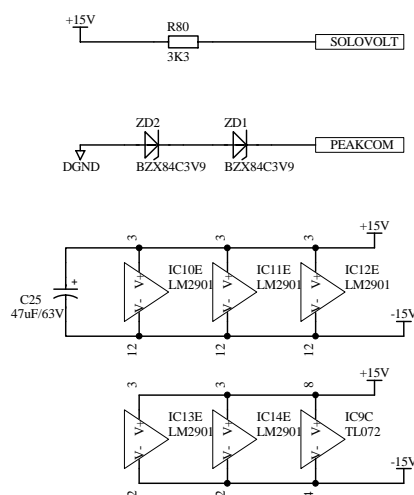
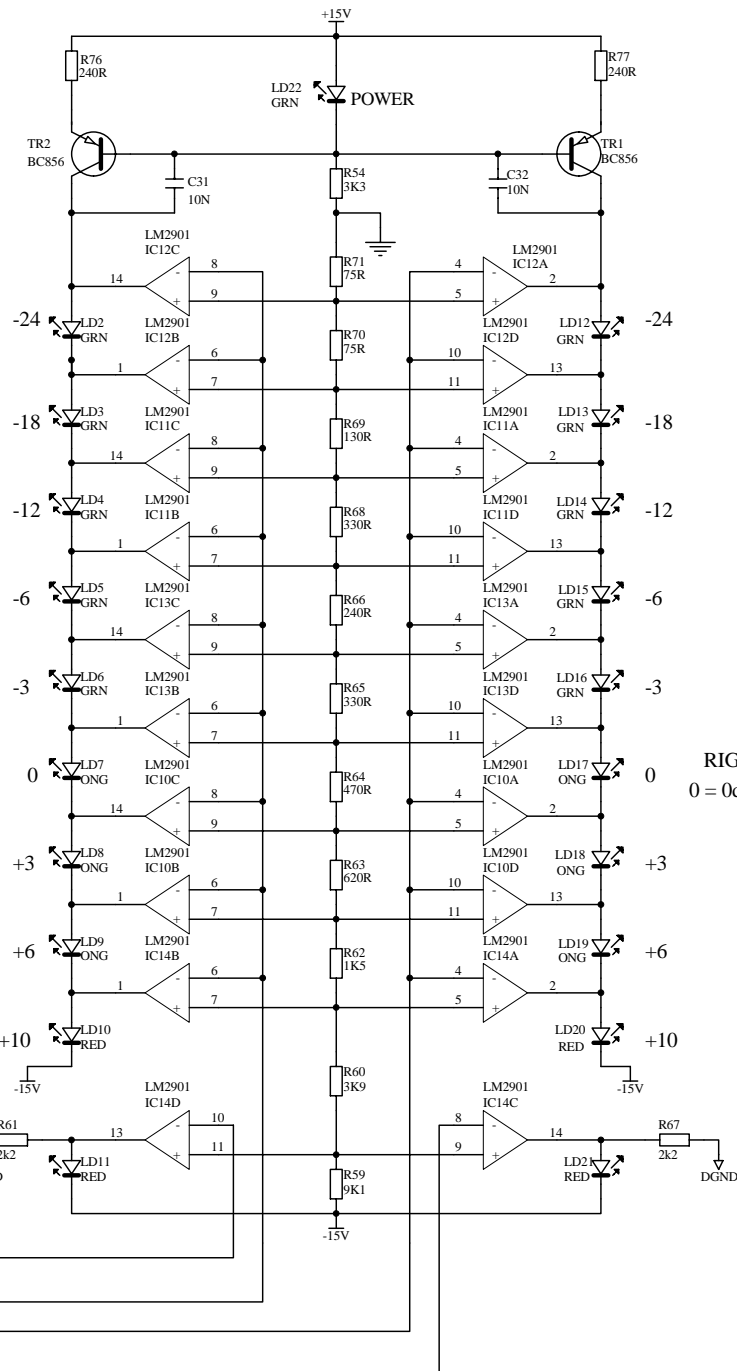
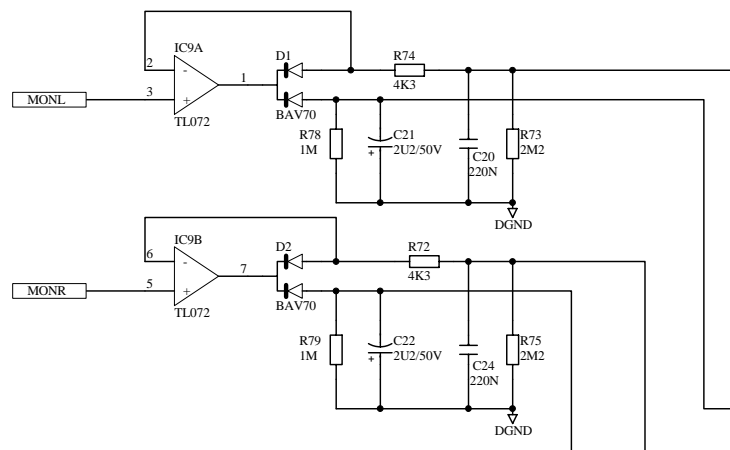
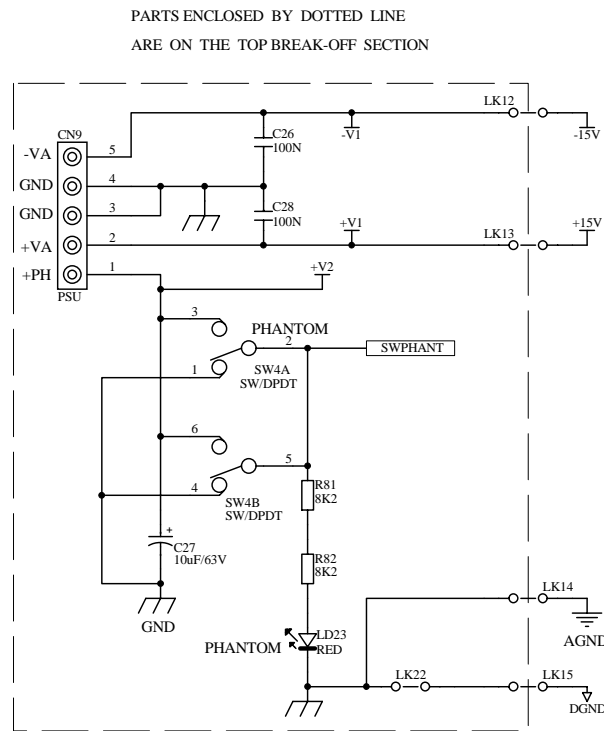
REVISION	DATE	REVISION DESCRIPTION
	17-Feb-2006	

TITLE: EPM8 MIXER	
SHEET: Sheet-C2	10 OF 13
Model Name:	
@Part No:	
Part No:	
BM File Name:	Scale:
Prepared by:	Checked by:
Date:	Date:
Approved by:	
Date:	

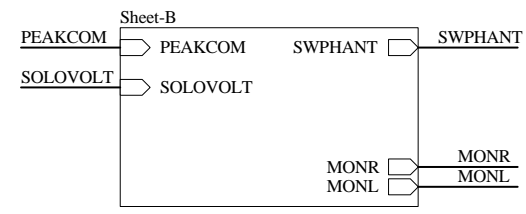
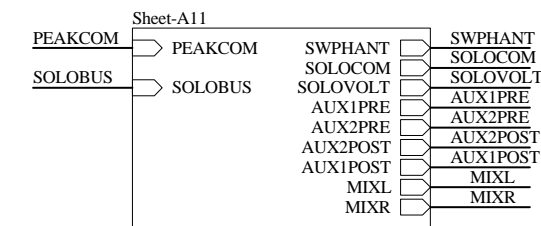
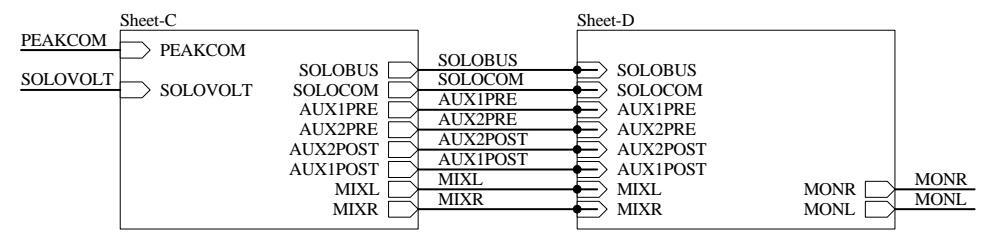
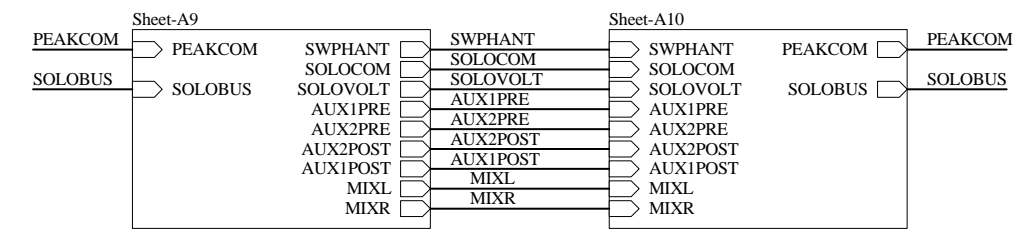
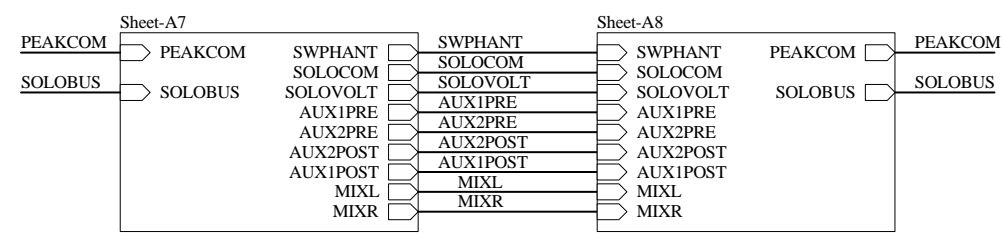
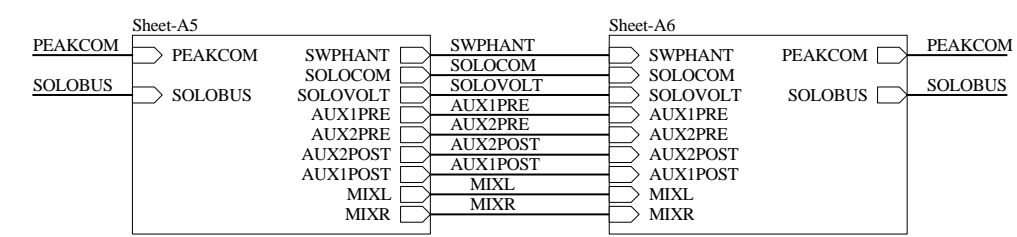
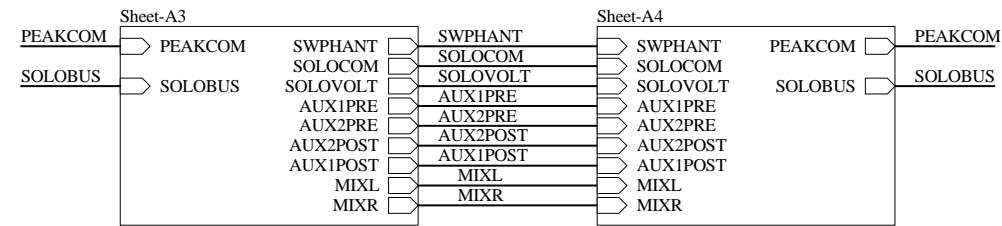
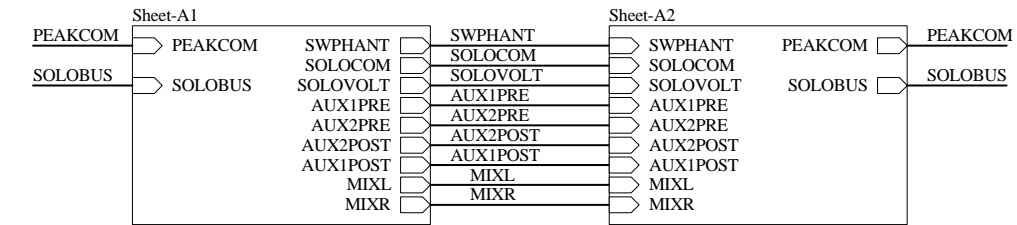
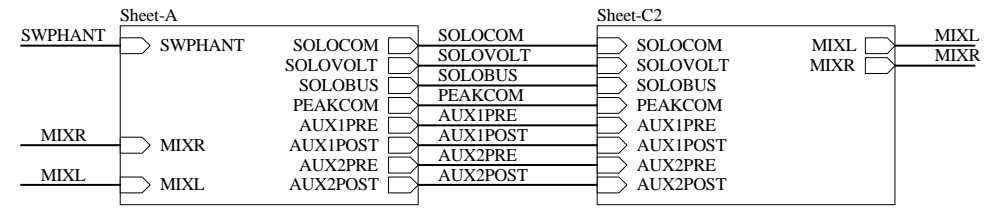
PARTS ENCLOSED BY DOTTED LINE
ARE ON THE TOP BREAK-OFF SECTION



	17-Feb-2006	
REVISION	DATE	REVISION DESCRIPTION
TITLE: EPM8 MIXER		
SHEET: Sheet-C		11 OF 13
Model Name:		
@Part No:		
Part No:		
BM File Name:	Scale:	
Prepared by:	Checked by:	
Date:	Date:	
Approved by:	Date:	



	17-Feb-2006	
REVISION	DATE	REVISION DESCRIPTION
TITLE: EPM8 MIXER		
SHEET: Sheet-B 12 OF 13		
Model Name:		
@Part No:		
Part No:		
BM File Name:	Scale:	
Prepared by:	Checked by:	
Date:	Date:	
Approved by:	Date:	



	17-Feb-2006	
REVISION	DATE	REVISION DESCRIPTION

TITLE: EPM12 MIXER

SHEET: EPM12 1 OF 17

Model Name:

@Part No:

Part No:

BM File Name: Scale:

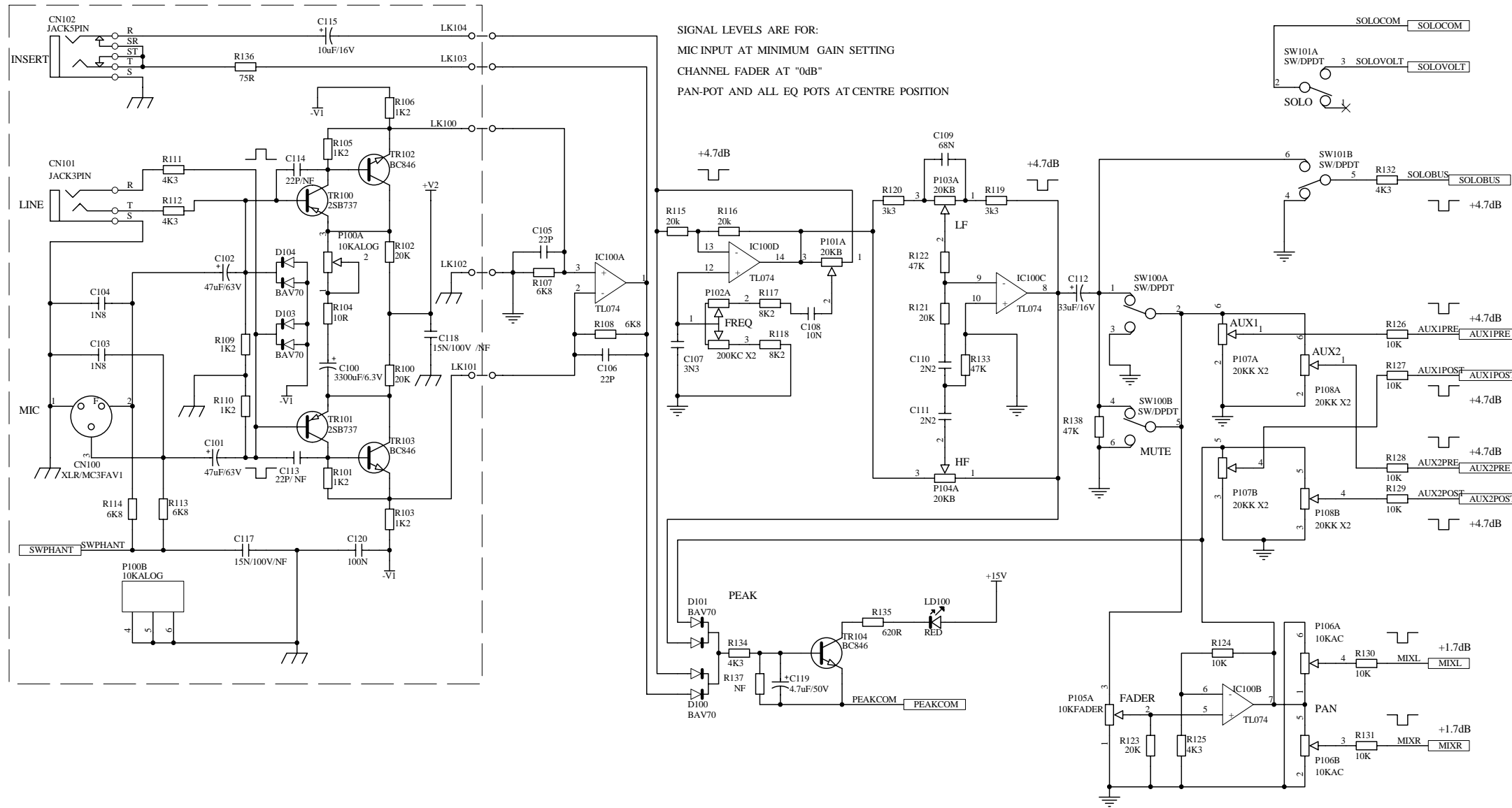
Prepared by: Checked by:

Date: Date:

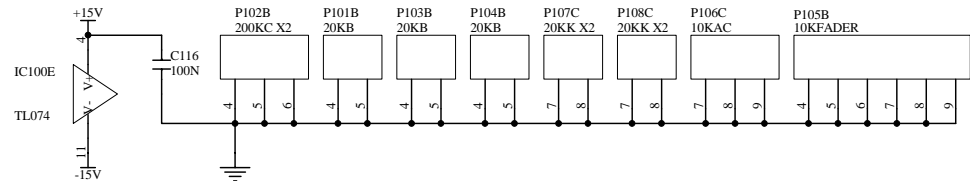
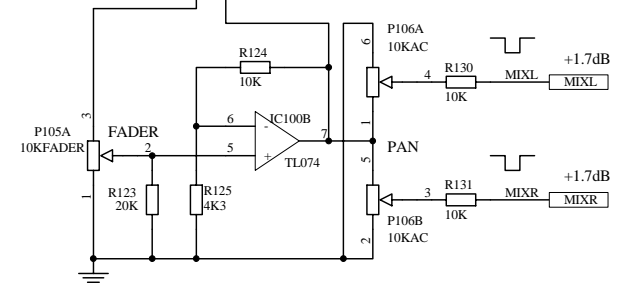
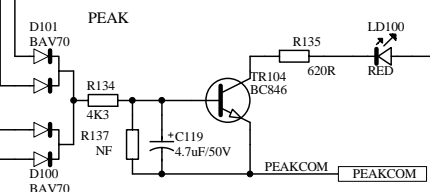
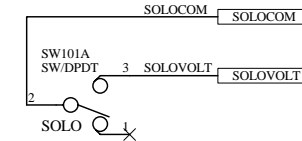
Approved by:

Date:

PARTS ENCLOSED BY DOTTED LINE
ARE ON THE TOP BREAK-OFF SECTION



SIGNAL LEVELS ARE FOR:
MIC INPUT AT MINIMUM GAIN SETTING
CHANNEL FADER AT "0dB"
PAN-POT AND ALL EQ POTS AT CENTRE POSITION



REVISION	DATE	REVISION DESCRIPTION
	17-Feb-2006	

TITLE: EPM12 MIXER

SHEET: Sheet-A11 2 OF 17

Model Name:

@Part No:

Part No:

BM File Name: Scale:

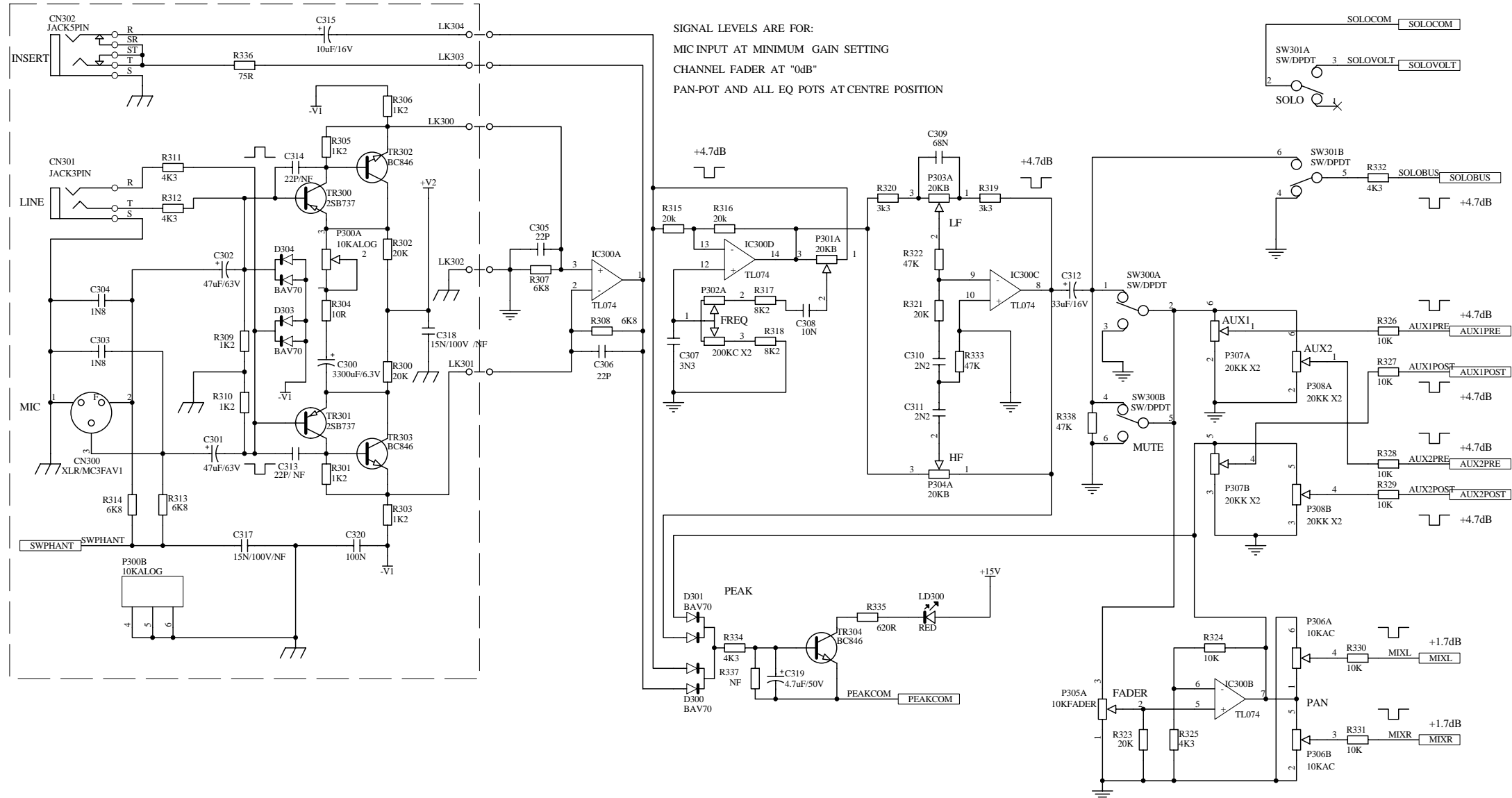
Prepared by: Checked by:

Date: Date:

Approved by:

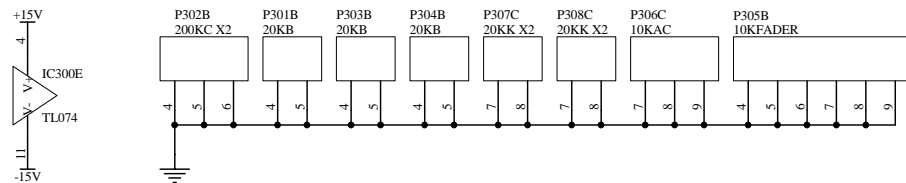
Date:

PARTS ENCLOSED BY DOTTED LINE
ARE ON THE TOP BREAK-OFF SECTION



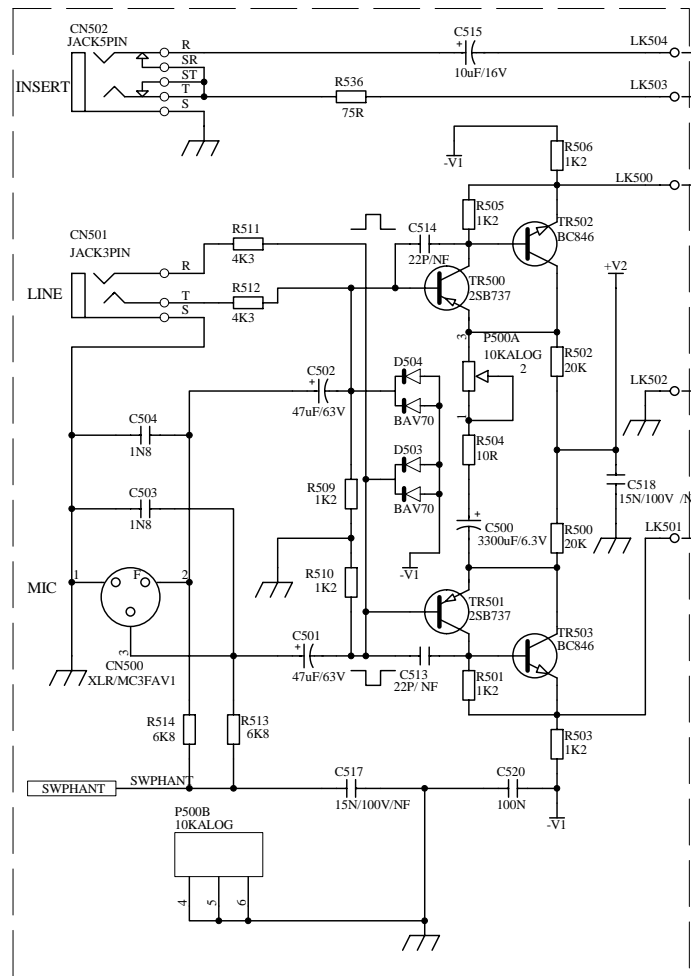
SIGNAL LEVELS ARE FOR:
MIC INPUT AT MINIMUM GAIN SETTING
CHANNEL FADER AT "0dB"
PAN-POT AND ALL EQ POTS AT CENTRE POSITION

	17-Feb-2006	
REVISION	DATE	REVISION DESCRIPTION

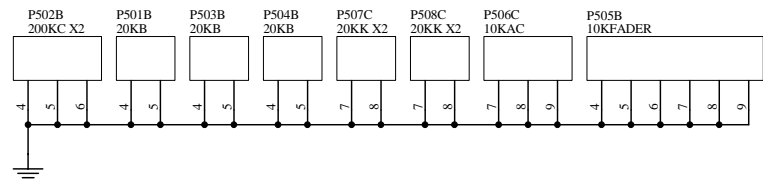
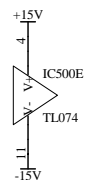
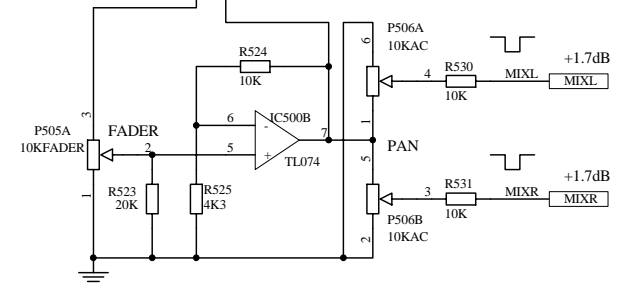
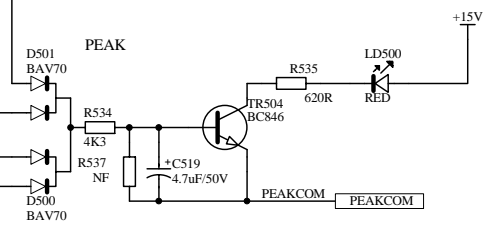
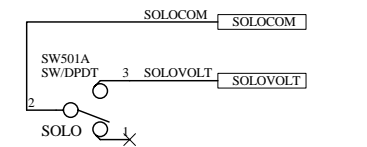
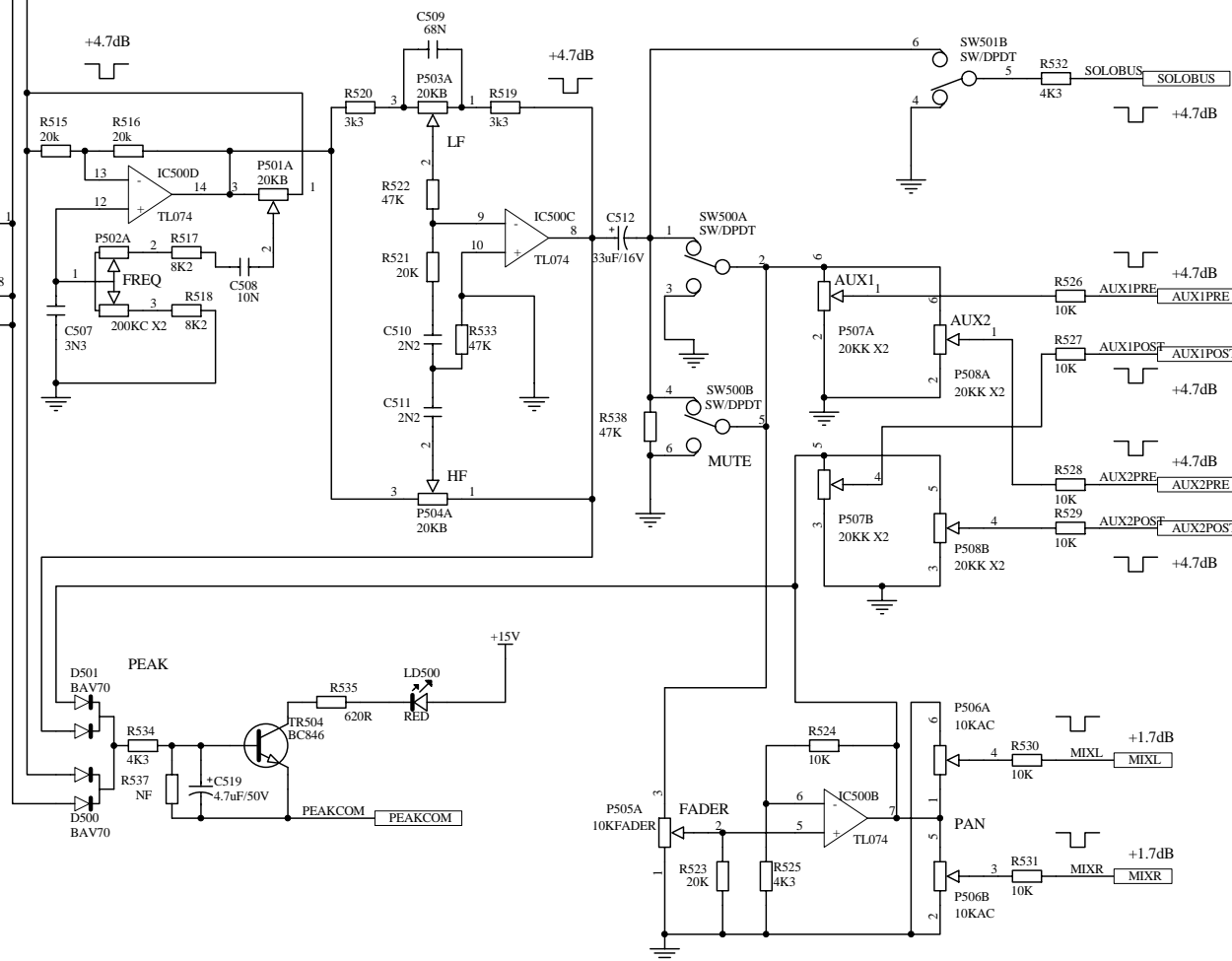


TITLE: EPM12 MIXER	
SHEET: Sheet-A9	4 OF 17
Model Name:	
@Part No:	
Part No:	
BM File Name:	Scale:
Prepared by:	Checked by:
Date:	Date:
Approved by:	
Date:	

PARTS ENCLOSED BY DOTTED LINE
ARE ON THE TOP BREAK-OFF SECTION



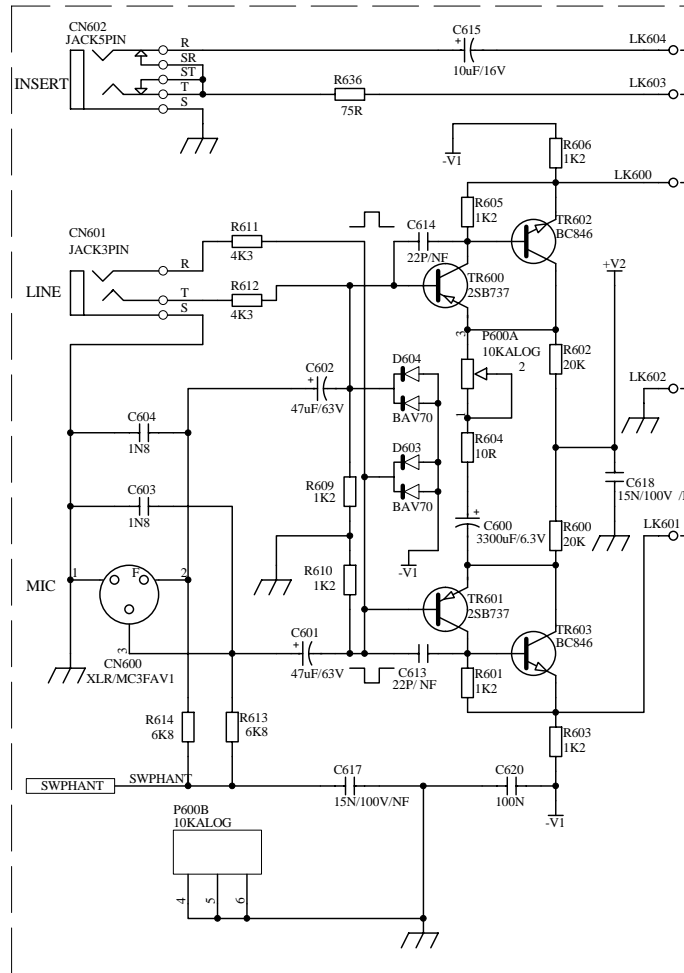
SIGNAL LEVELS ARE FOR:
MIC INPUT AT MINIMUM GAIN SETTING
CHANNEL FADER AT "0dB"
PAN-POT AND ALL EQ POTS AT CENTRE POSITION



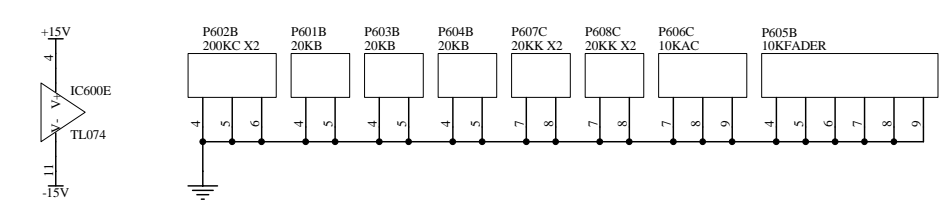
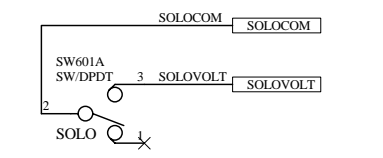
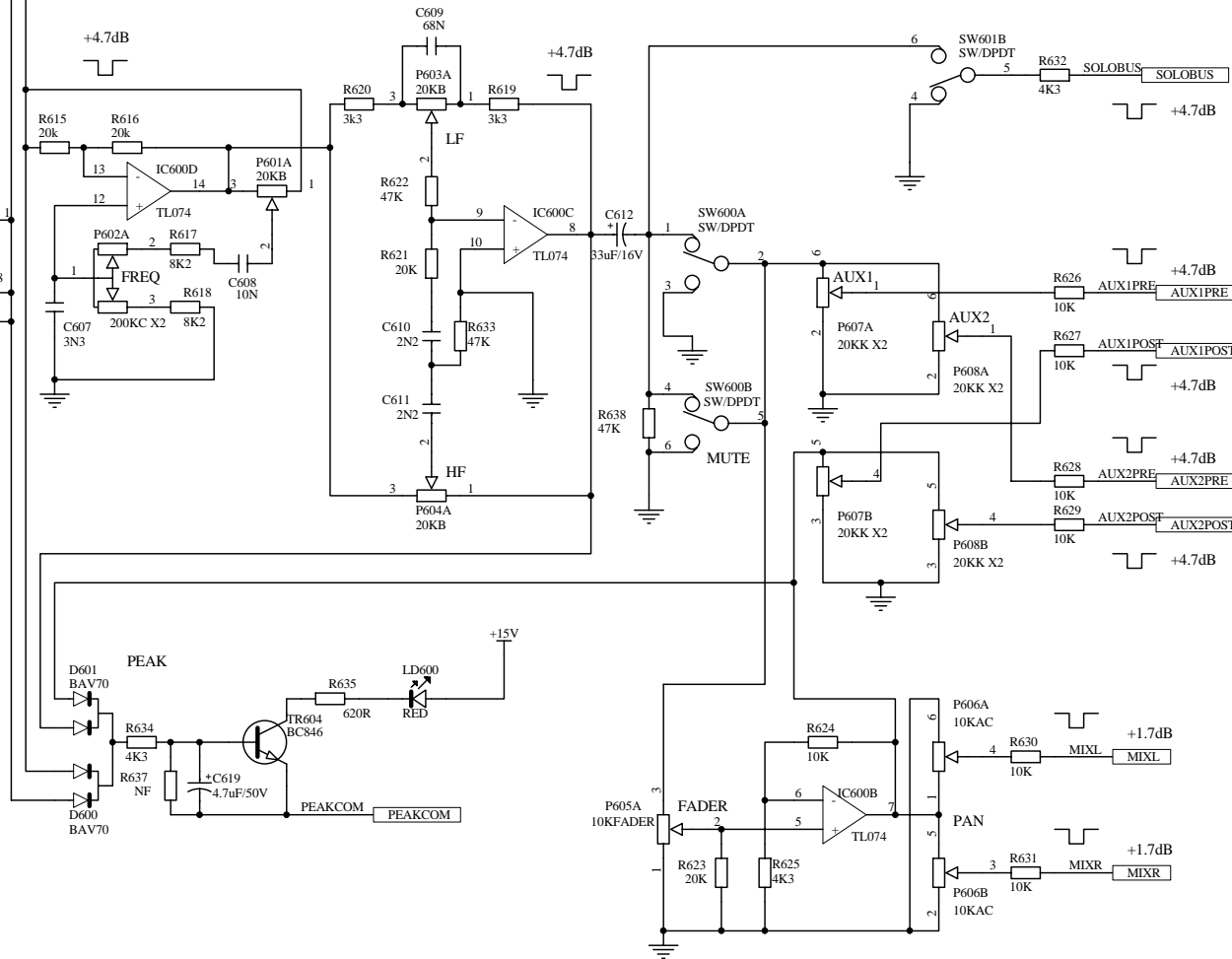
REVISION	DATE	REVISION DESCRIPTION
	17-Feb-2006	

TITLE: EPM12 MIXER	
SHEET: Sheet-A7	6 OF 17
Model Name:	
@Part No:	
Part No:	
BM File Name:	Scale:
Prepared by:	Checked by:
Date:	Date:
Approved by:	
Date:	

PARTS ENCLOSED BY DOTTED LINE
ARE ON THE TOP BREAK-OFF SECTION

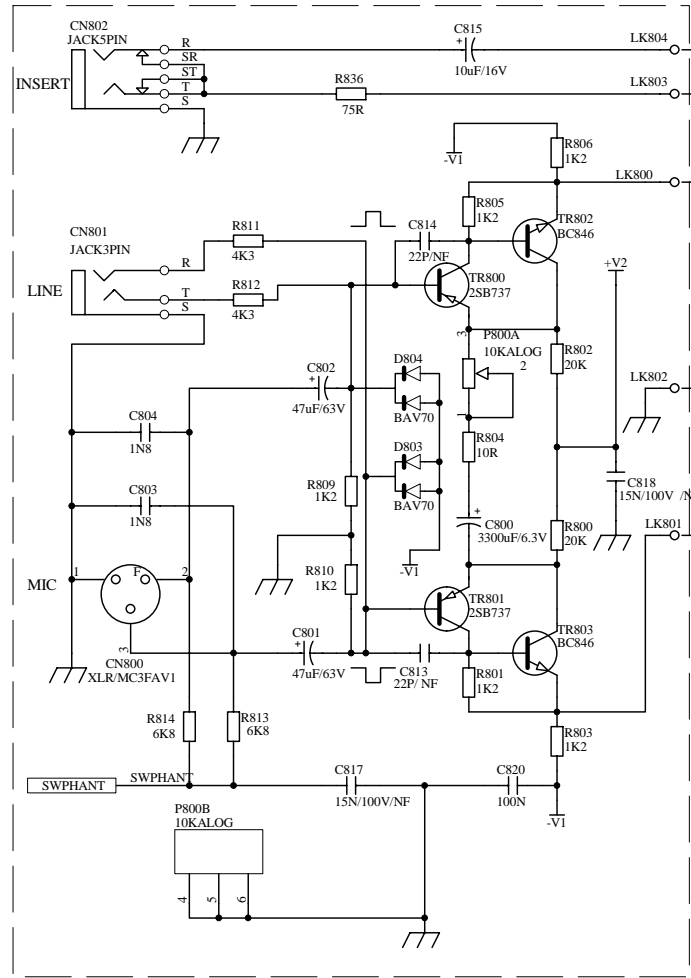


SIGNAL LEVELS ARE FOR:
MIC INPUT AT MINIMUM GAIN SETTING
CHANNEL FADER AT "0dB"
PAN-POT AND ALL EQ POTS AT CENTRE POSITION

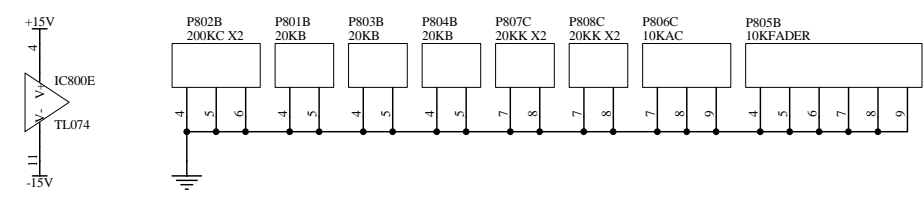
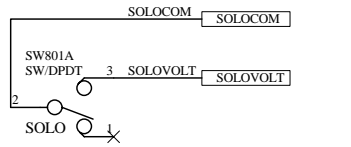
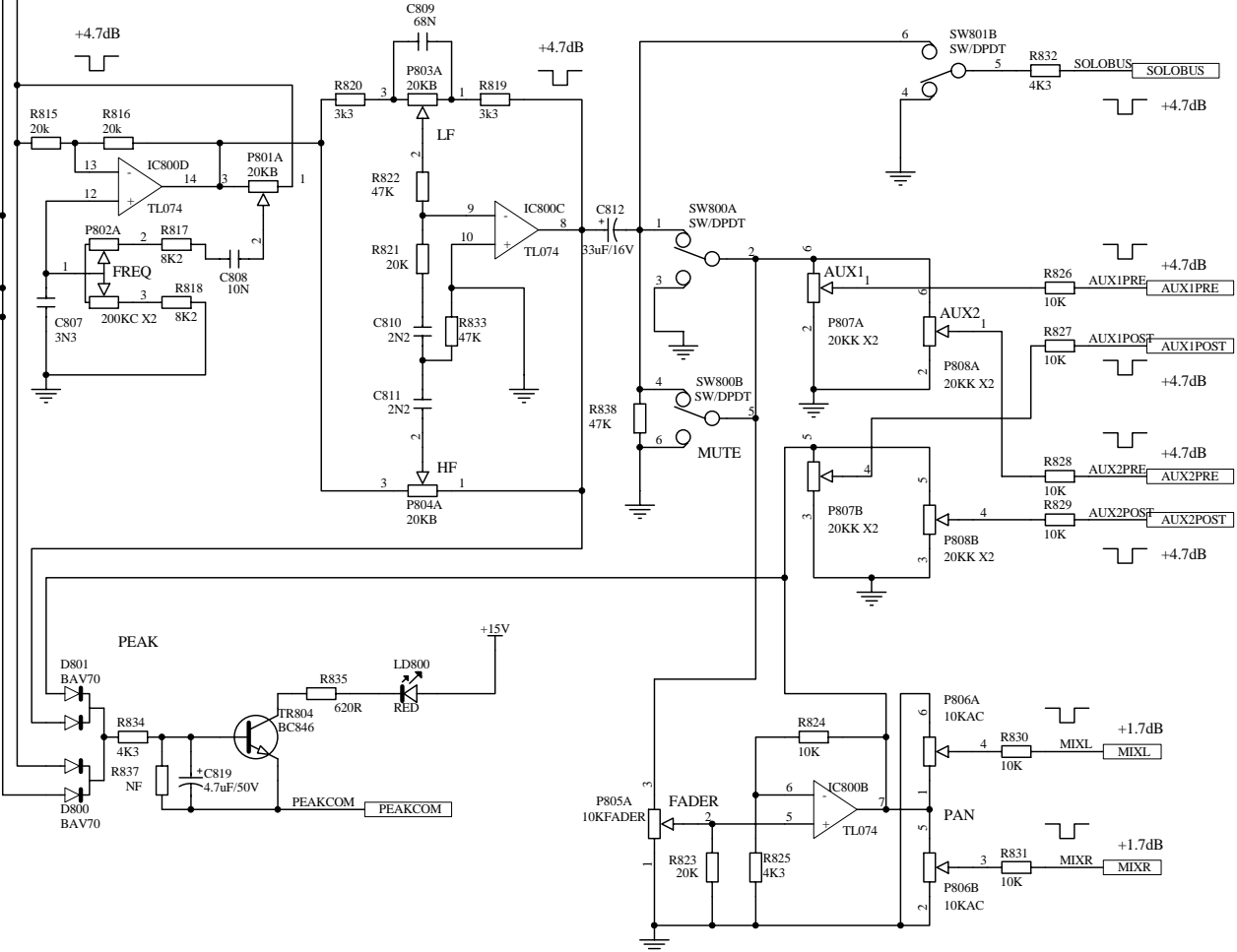


	17-Feb-2006	
REVISION	DATE	REVISION DESCRIPTION
TITLE: EPM12 MIXER		
SHEET: Sheet-A6 7 OF 17		
Model Name:		
@Part No:		
Part No:		
BM File Name:	Scale:	
Prepared by:	Checked by:	
Date:	Date:	
Approved by:		
Date:		

PARTS ENCLOSED BY DOTTED LINE
ARE ON THE TOP BREAK-OFF SECTION

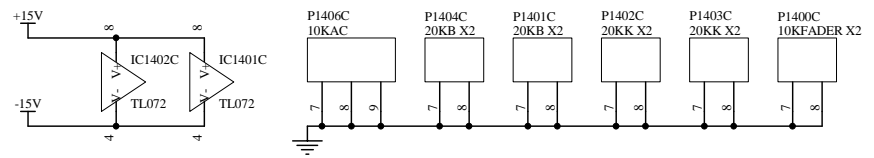
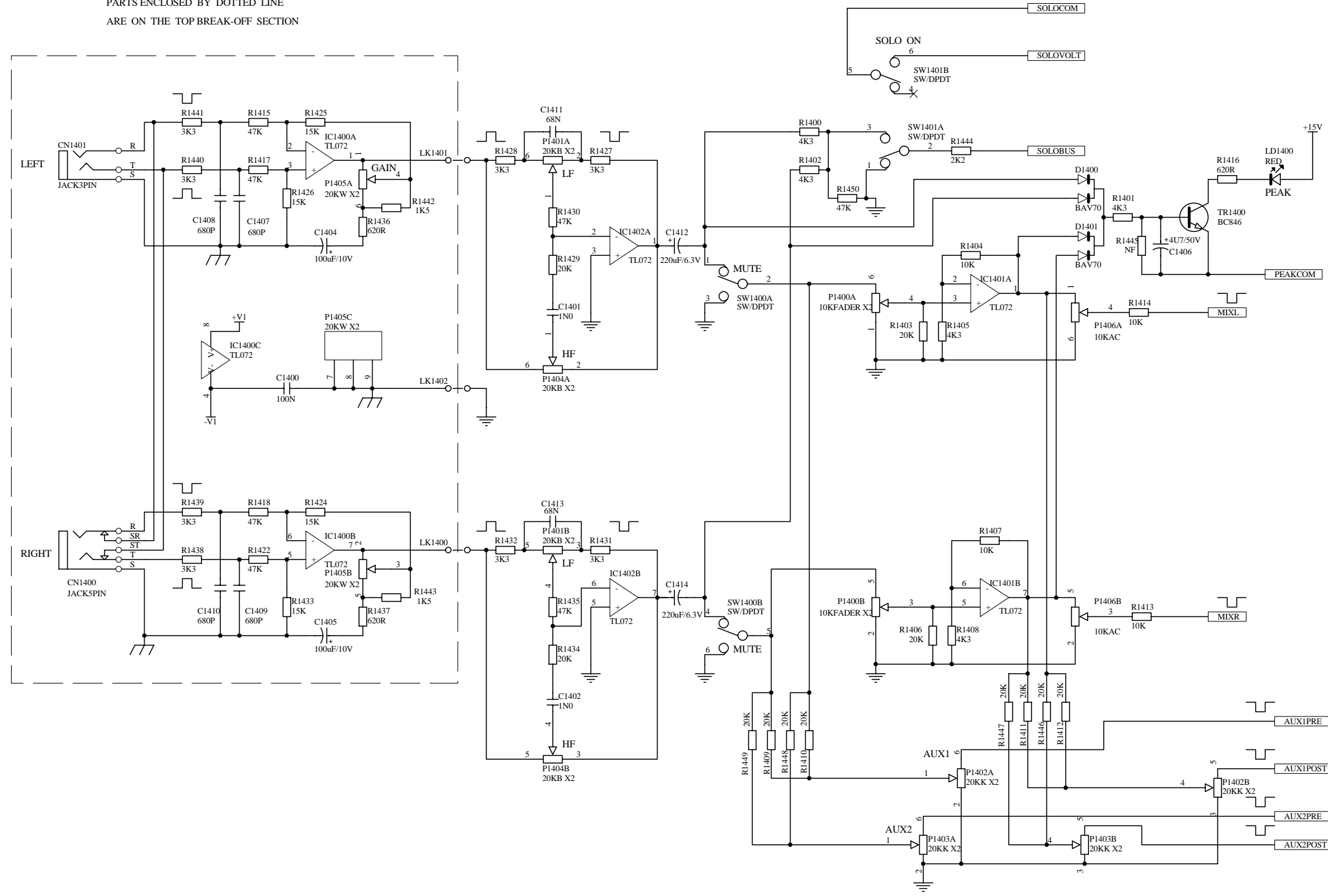


SIGNAL LEVELS ARE FOR:
MIC INPUT AT MINIMUM GAIN SETTING
CHANNEL FADER AT "0dB"
PAN-POT AND ALL EQ POTS AT CENTRE POSITION

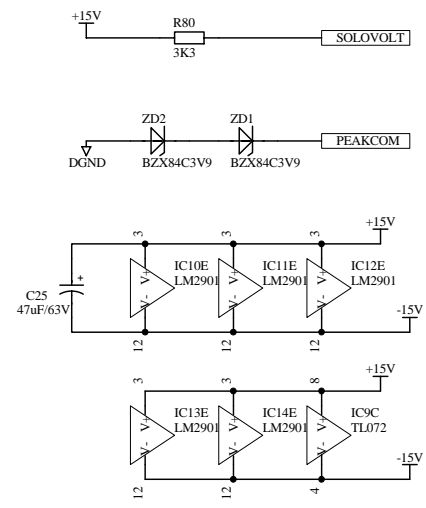
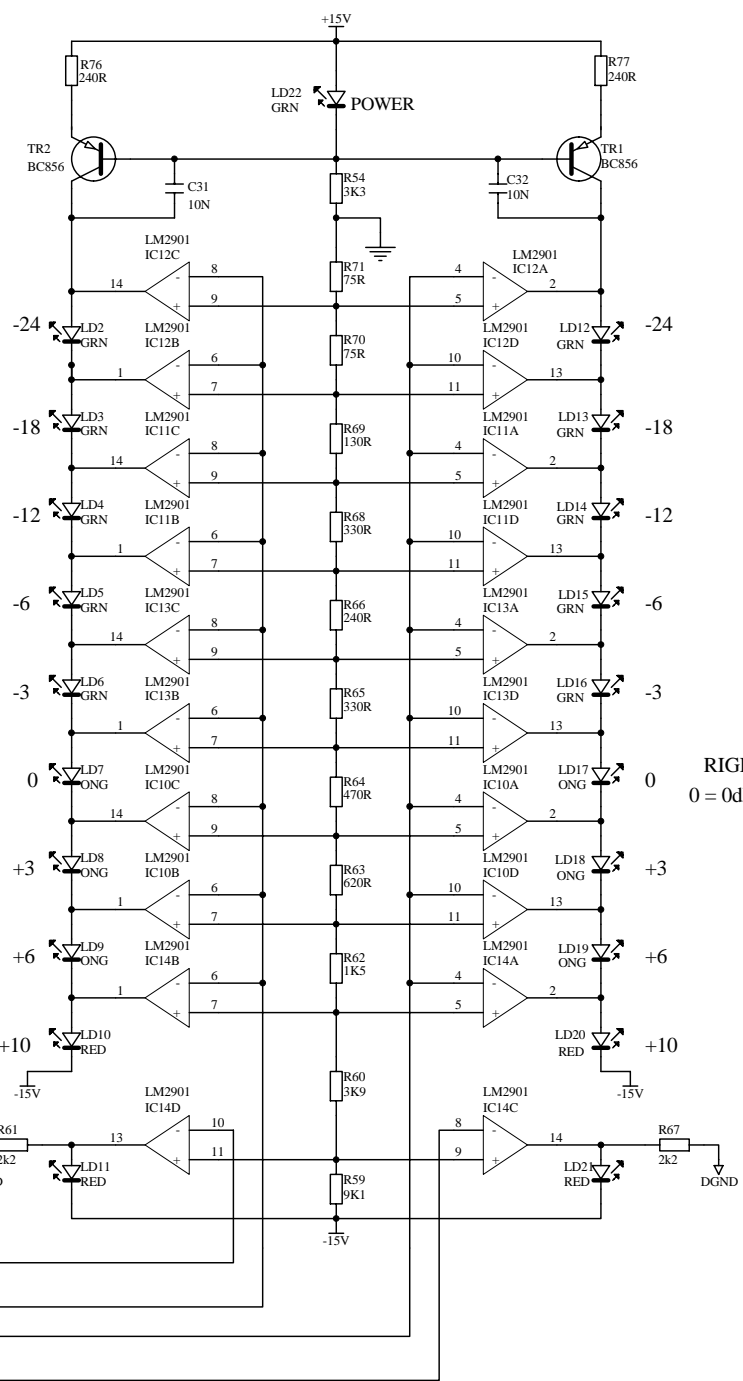
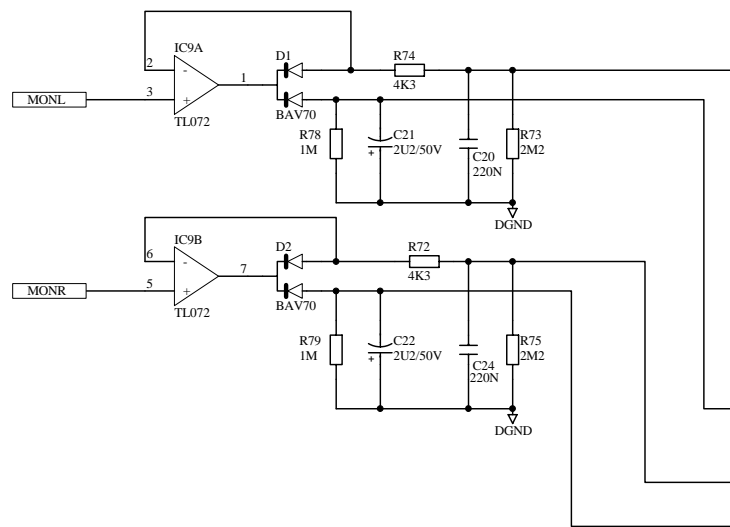
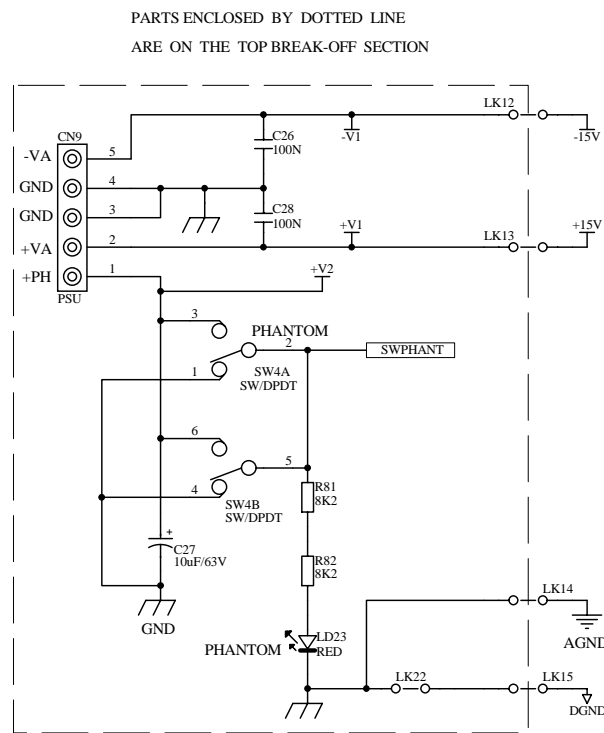


	17-Feb-2006	
REVISION	DATE	REVISION DESCRIPTION
TITLE: EPM12 MIXER		
SHEET: Sheet-A4 9 OF 17		
Model Name:		
@Part No:		
Part No:		
BM File Name:	Scale:	
Prepared by:	Checked by:	
Date:	Date:	
Approved by:		
Date:		

PARTS ENCLOSED BY DOTTED LINE
ARE ON THE TOP BREAK-OFF SECTION



	17-Feb-2006	
REVISION	DATE	REVISION DESCRIPTION
TITLE: EPM12 MIXER		
SHEET: Sheet-C		15 OF 17
Model Name:		
@Part No:		
Part No:		
BM File Name:	Scale:	
Prepared by:	Checked by:	
Date:	Date:	
Approved by:		
Date:		



	17-Feb-2006	
REVISION	DATE	REVISION DESCRIPTION
TITLE: EPM12 MIXER		
SHEET: Sheet-B 17 OF 17		
Model Name:		
@Part No:		
Part No:		
BM File Name:	Scale:	
Prepared by:	Checked by:	
Date:	Date:	
Approved by:	Date:	