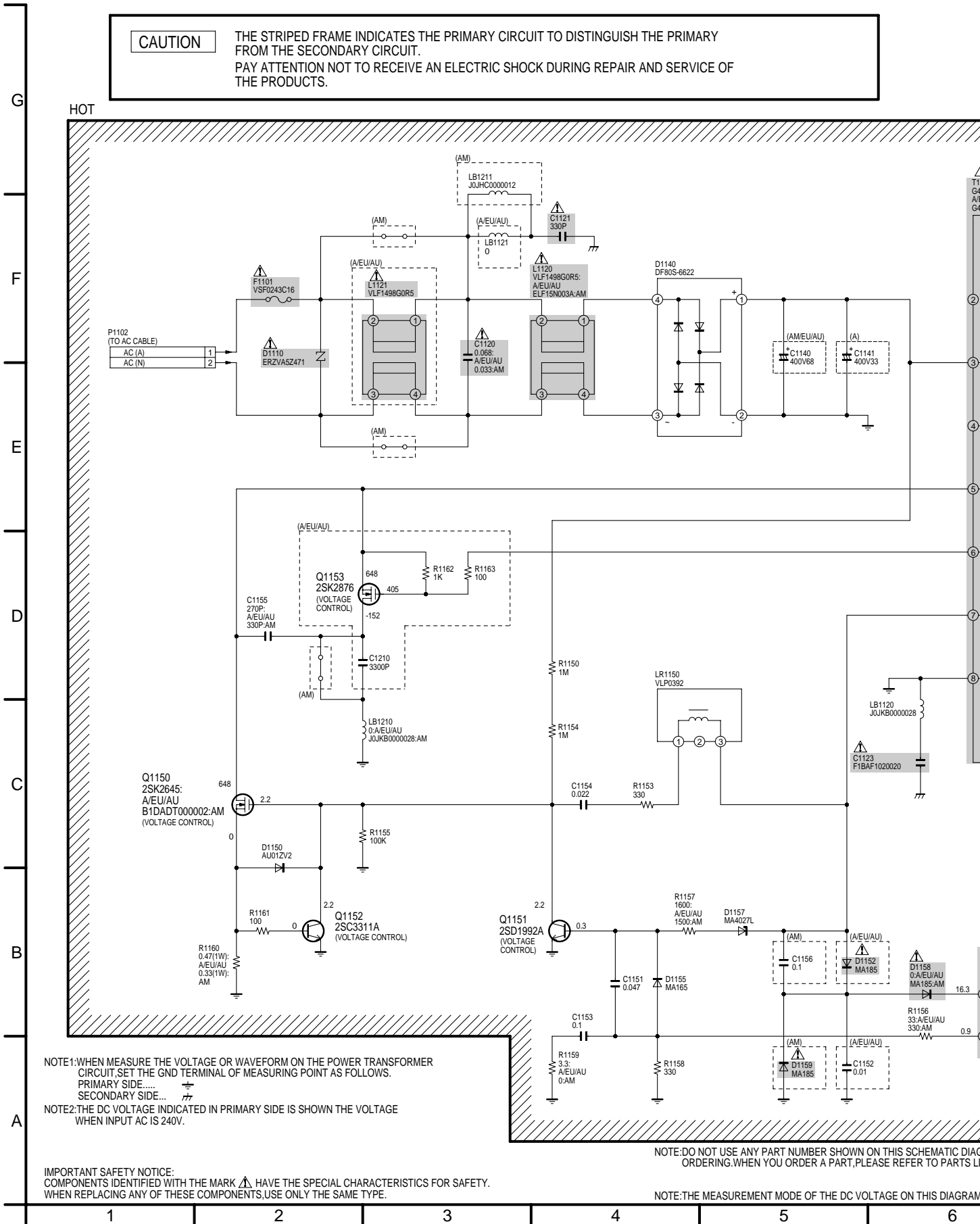


# 8 SCHEMATIC DIAGRAMS

## 8.1. POWER TRANSFORMER SECTION IN MAIN SCHEMATIC DIAGRAM

**CAUTION** THE STRIPED FRAME INDICATES THE PRIMARY CIRCUIT TO DISTINGUISH THE PRIMARY FROM THE SECONDARY CIRCUIT.  
PAY ATTENTION NOT TO RECEIVE AN ELECTRIC SHOCK DURING REPAIR AND SERVICE OF THE PRODUCTS.



NOTE1: WHEN MEASURE THE VOLTAGE OR WAVEFORM ON THE POWER TRANSFORMER CIRCUIT, SET THE GND TERMINAL OF MEASURING POINT AS FOLLOWS.  
PRIMARY SIDE.....  
SECONDARY SIDE.....

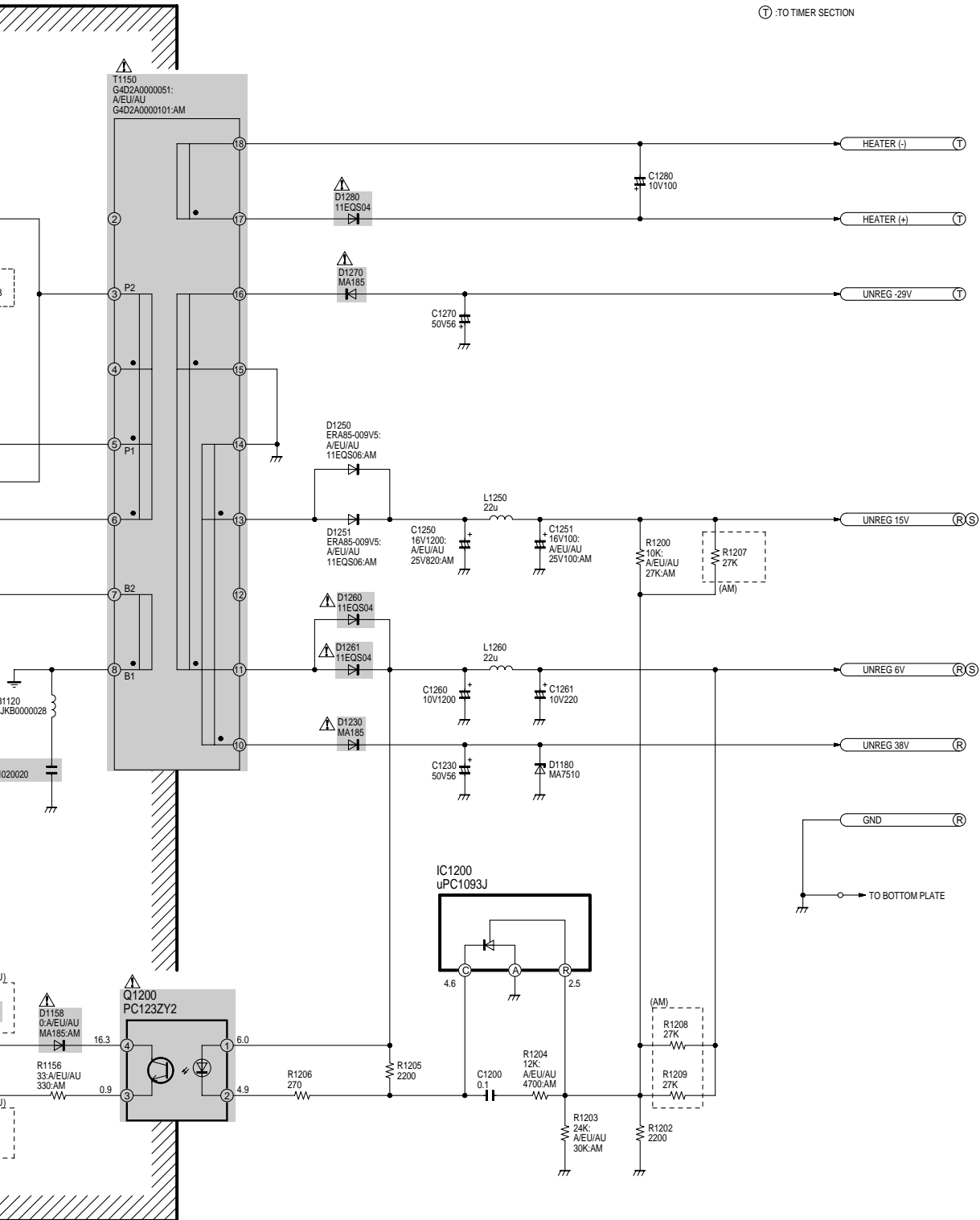
NOTE2: THE DC VOLTAGE INDICATED IN PRIMARY SIDE IS SHOWN THE VOLTAGE WHEN INPUT AC IS 240V.

IMPORTANT SAFETY NOTICE:  
COMPONENTS IDENTIFIED WITH THE MARK HAVE THE SPECIAL CHARACTERISTICS FOR SAFETY. WHEN REPLACING ANY OF THESE COMPONENTS, USE ONLY THE SAME TYPE.

NOTE: DO NOT USE ANY PART NUMBER SHOWN ON THIS SCHEMATIC DIAGRAM FOR ORDERING. WHEN YOU ORDER A PART, PLEASE REFER TO PARTS LIST.

NOTE: THE MEASUREMENT MODE OF THE DC VOLTAGE ON THIS DIAGRAM IS...

- (R) :TO POWER SUPPLY/RF SECTION
- (S) :TO SYSTEM CONTROL & SERVO SECTION
- (T) :TO TIMER SECTION



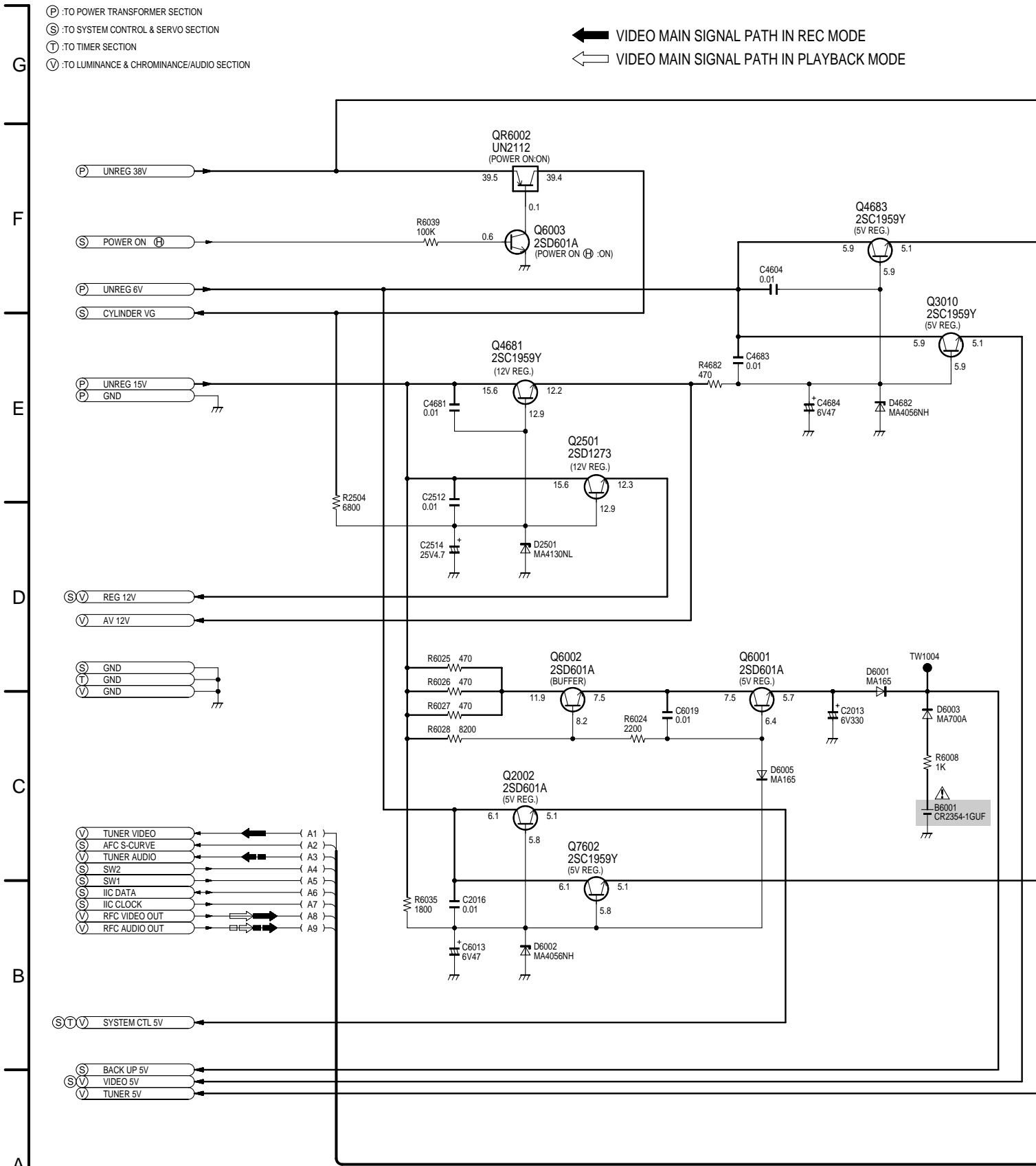
IN THIS SCHEMATIC DIAGRAM FOR  
PLEASE REFER TO PARTS LIST.

NV-SJ430A, SJ530AM/EU/AU  
POWER TRANSFORMER SECTION SCHEMATIC DIAGRAM

PAGE ON THIS DIAGRAM IS STOP MODE.

6 7 8 9 10

## 8.2. POWER SUPPLY/ RF SECTION IN MAIN SCHEMATIC DIAGRAM



IMPORTANT SAFETY NOTICE:  
 COMPONENTS IDENTIFIED WITH THE MARK HAVE THE SPECIAL CHARACTERISTICS FOR SAFETY.  
 WHEN REPLACING ANY OF THESE COMPONENTS, USE ONLY THE SAME TYPE.

NOTE: THE MEASUREMENT MODE OF THE DC VOLTAGE ON THIS DIAGRAM IS

1

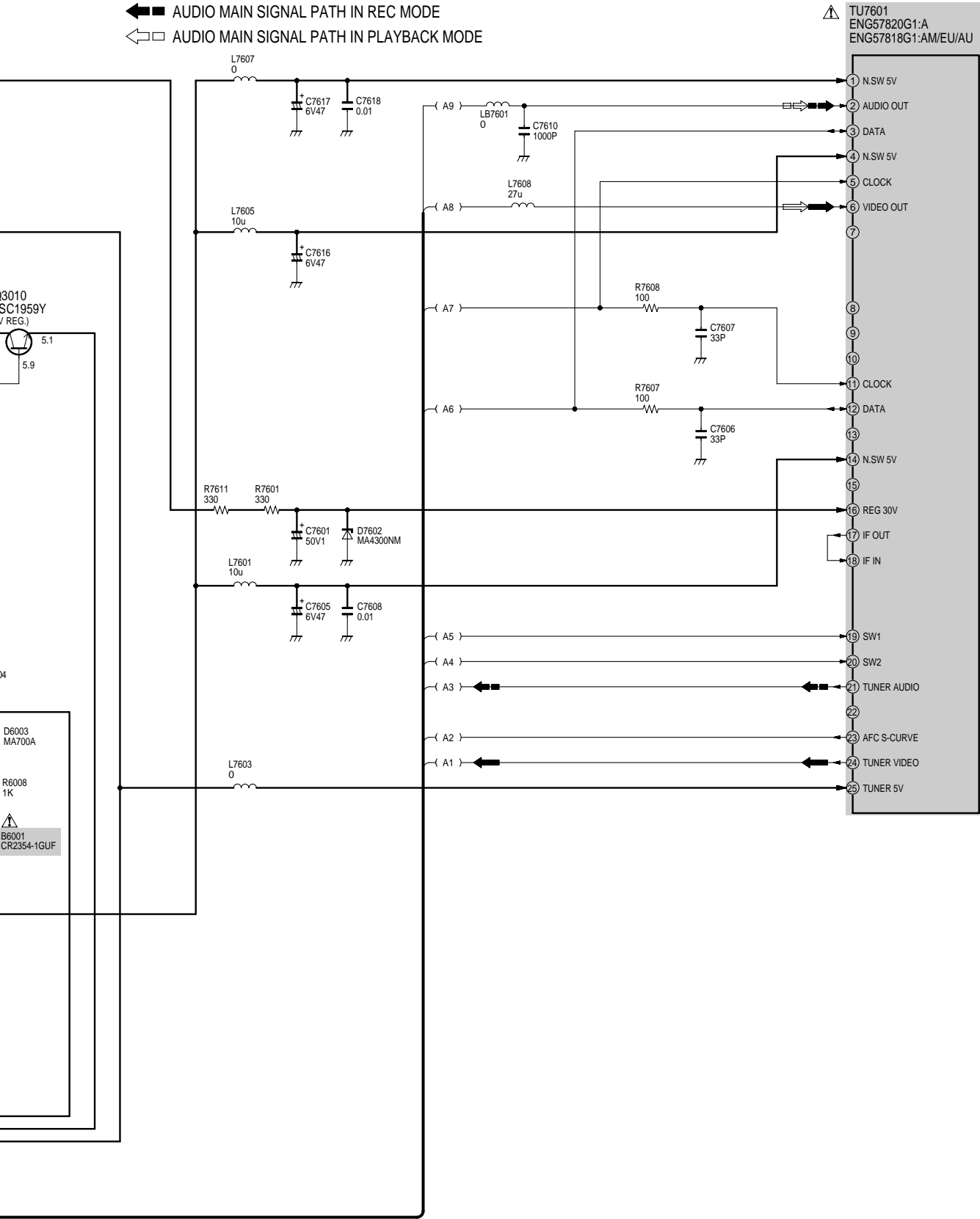
2

3

4

5

← AUDIO MAIN SIGNAL PATH IN REC MODE  
 ← □ AUDIO MAIN SIGNAL PATH IN PLAYBACK MODE



NOTE: DO NOT USE ANY PART NUMBER SHOWN ON THIS SCHEMATIC DIAGRAM FOR ORDERING. WHEN YOU ORDER A PART, PLEASE REFER TO PARTS LIST.

NV-SJ430A, SJ530AM/EU/AU  
 POWER SUPPLY/RF SECTION  
 SCHEMATIC DIAGRAM

6

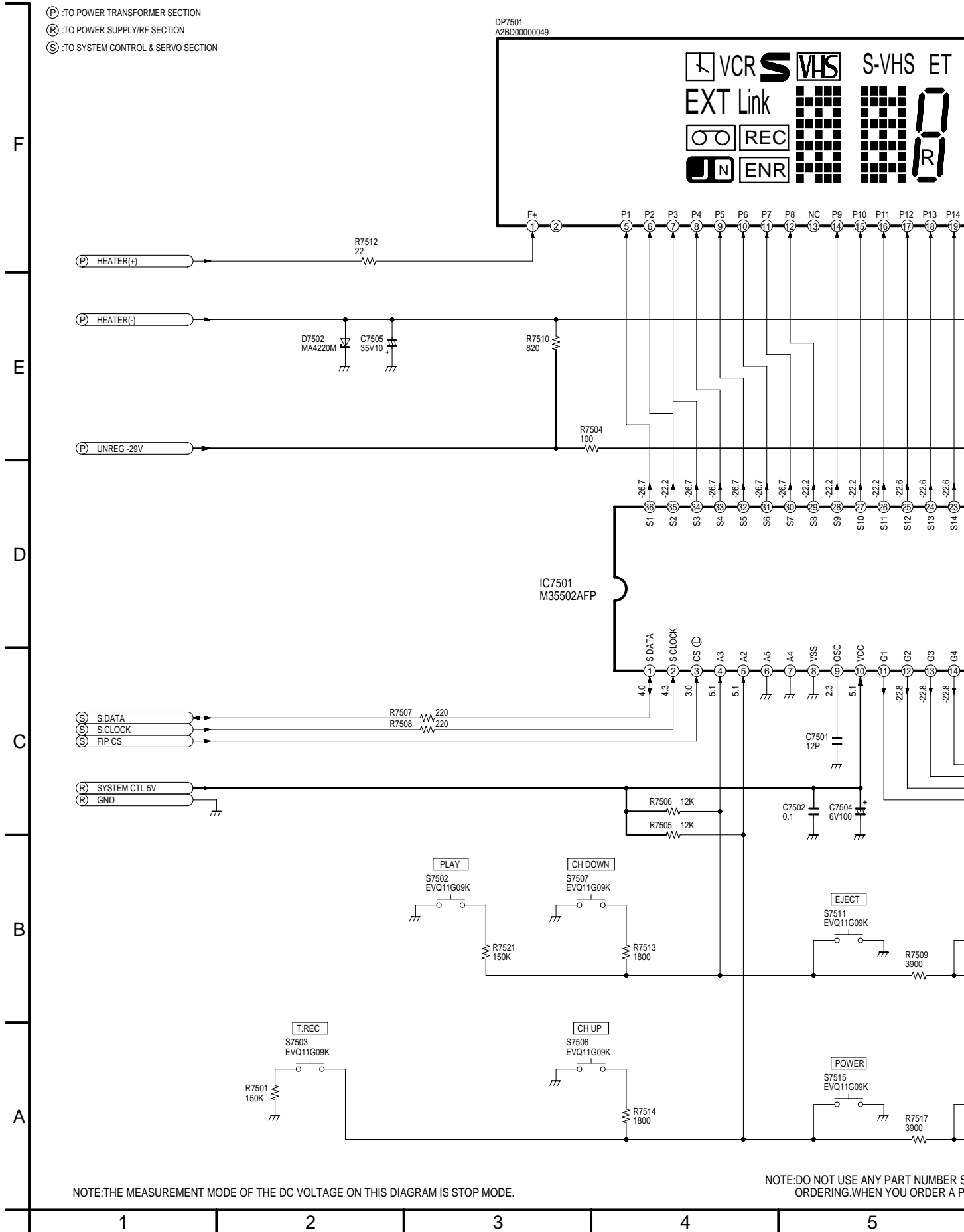
7

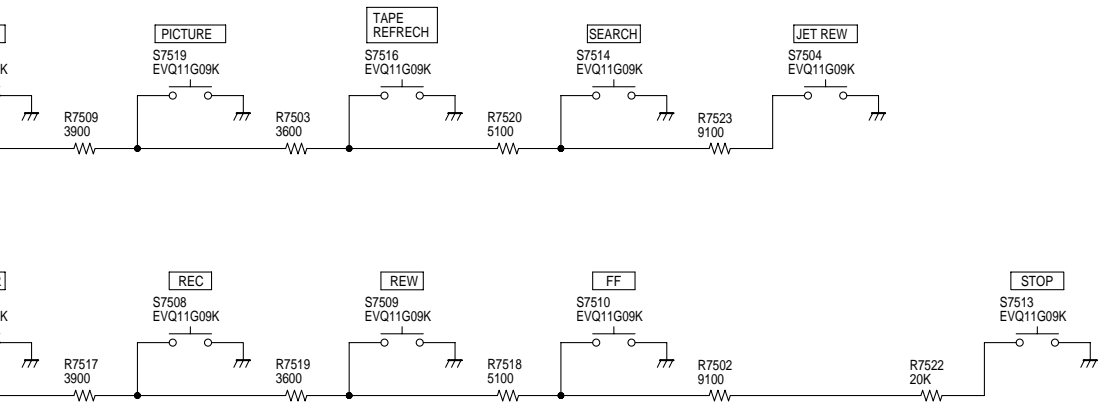
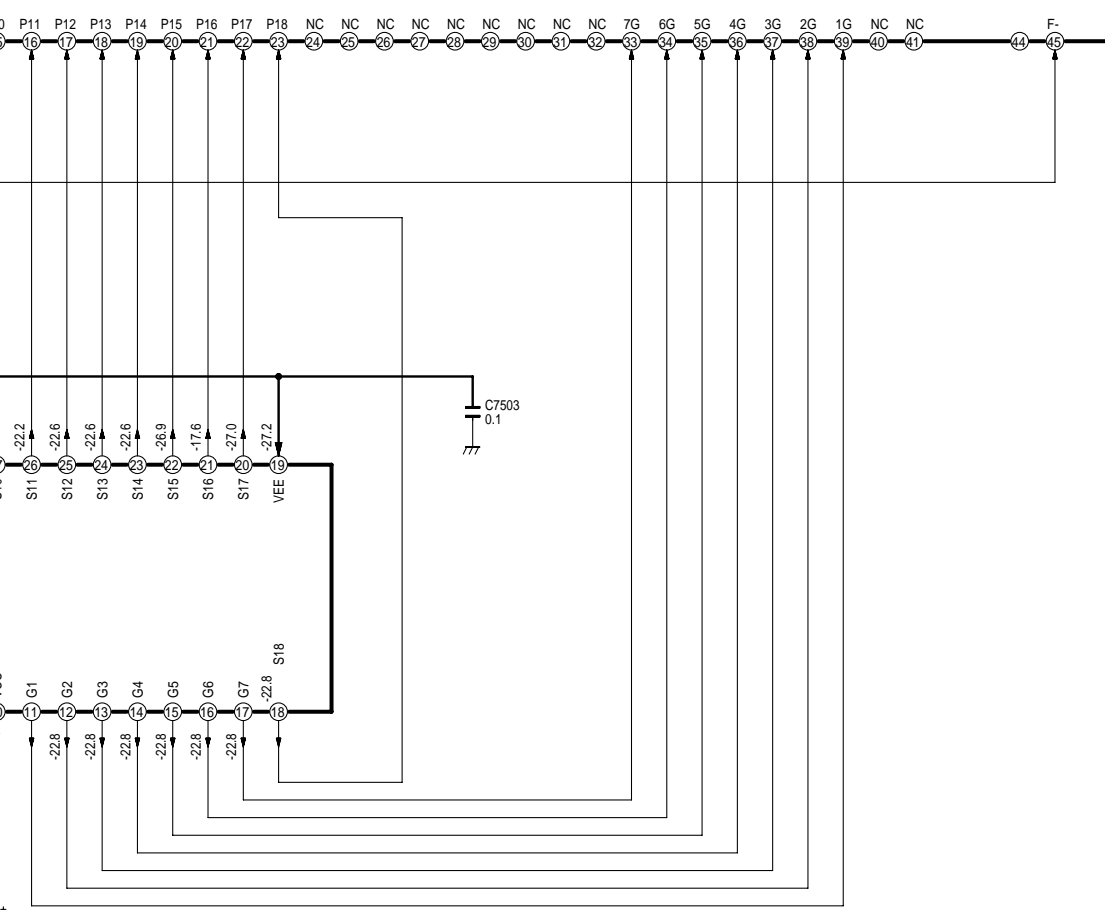
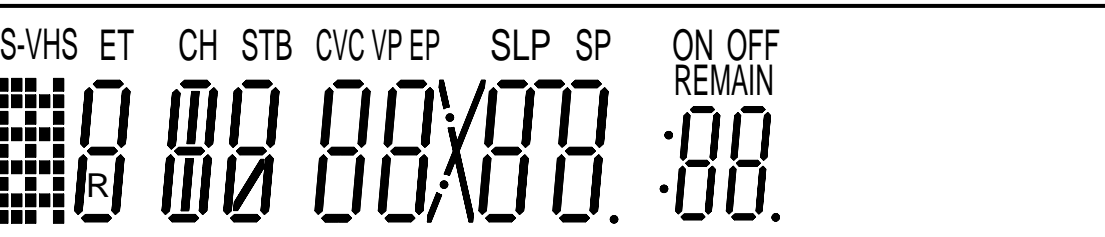
8

9

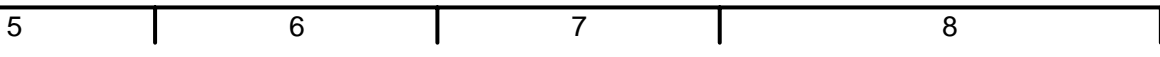
10

### 8.3. TIMER SECTION IN MAIN SCHEMATIC DIAGRAM

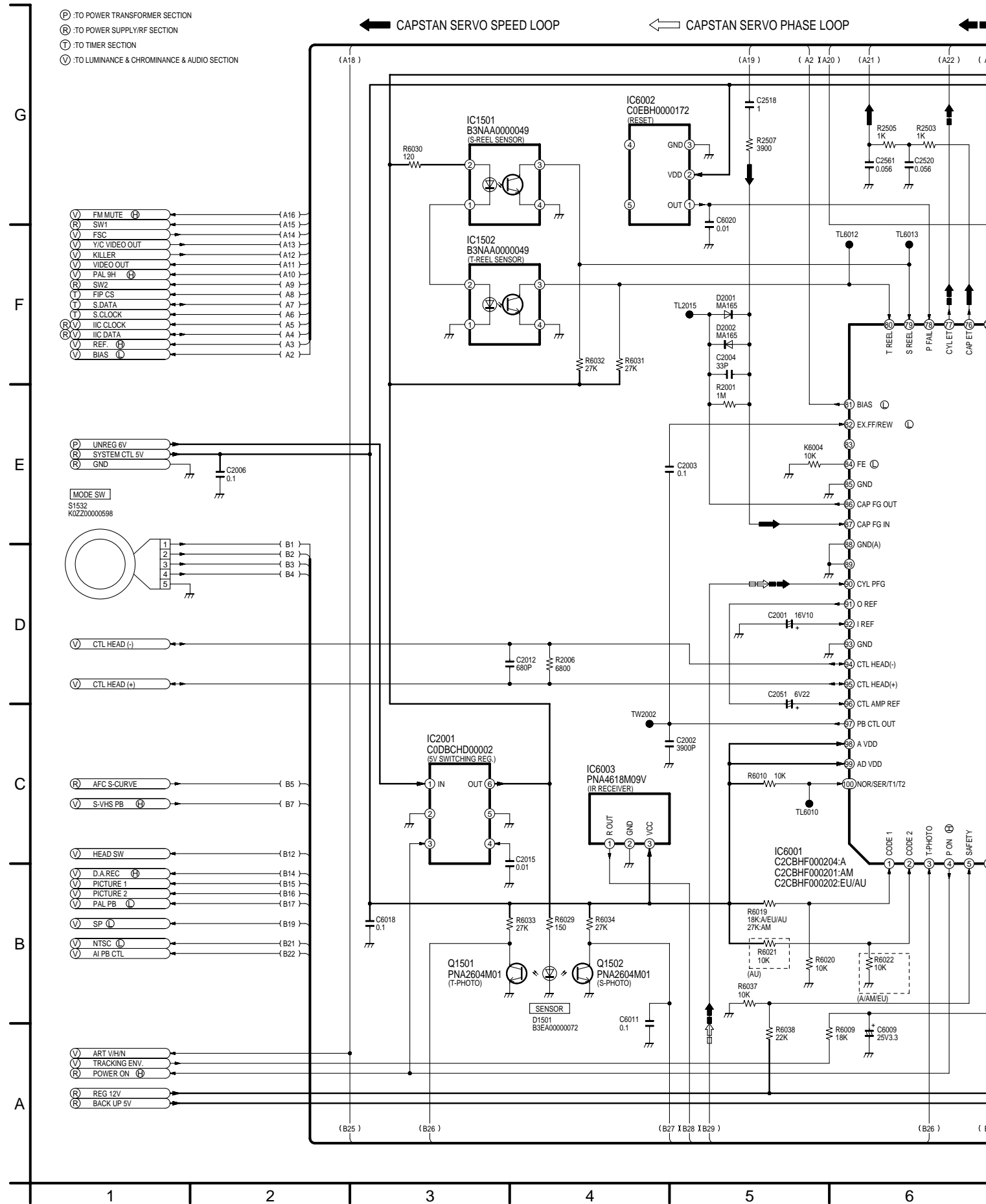




ANY PART NUMBER SHOWN ON THIS SCHEMATIC DIAGRAM FOR WHEN YOU ORDER A PART, PLEASE REFER TO PARTS LIST. NV-SJ430A, SJ530AM/EU/AU TIMER SECTION SCHEMATIC DIAGRAM



# 8.4. SYSTEM CONTROL & SERVO SECTION IN MAIN SCHEMATIC DIAGRAM



AM

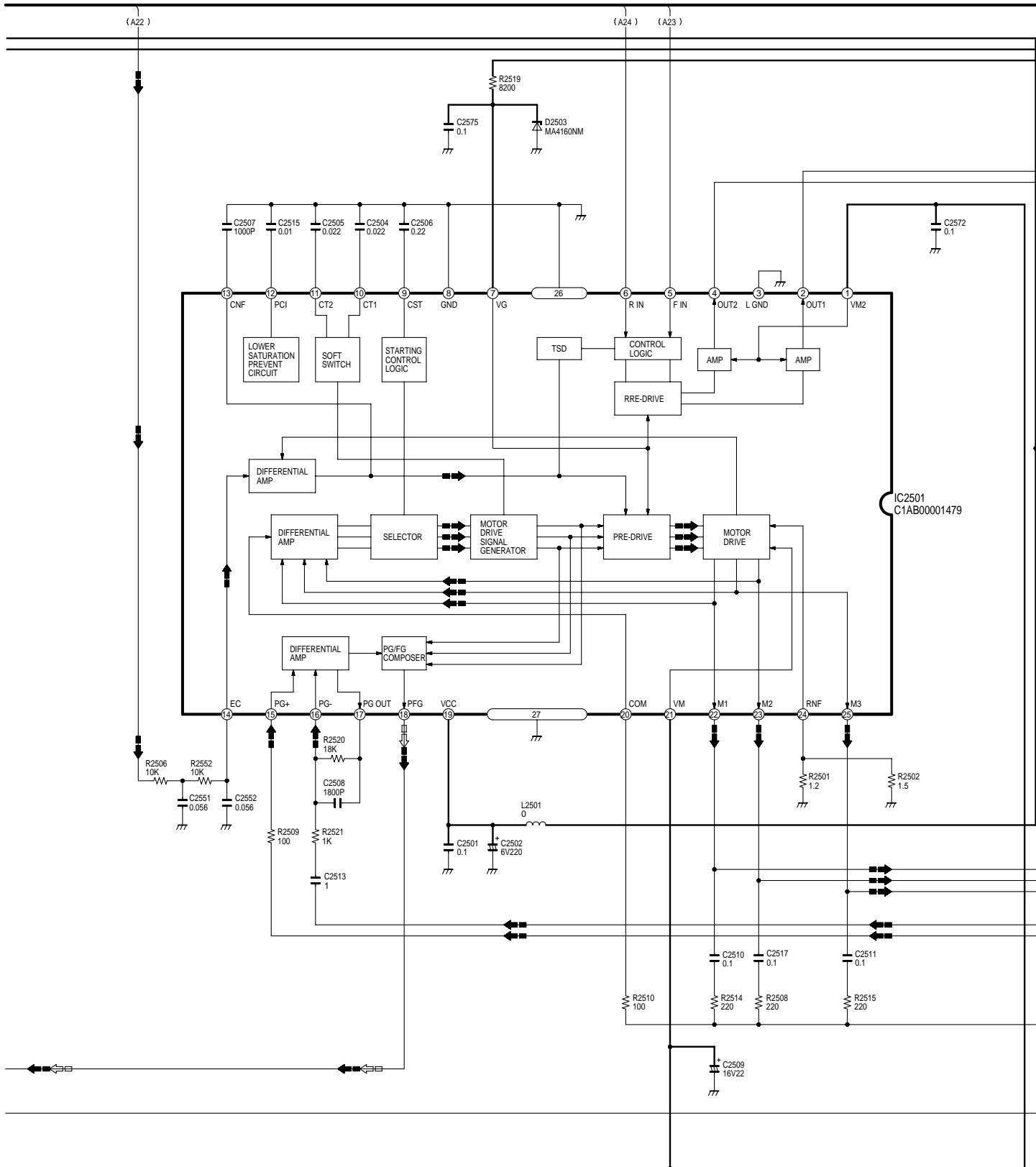
CYLINDER SERVO SPEED LOOP

CYLINDER SERVO PHASE LOOP

NV-SJ430A, SJ530AM/EU/AU  
SYSTEM CONTROL & SERVO SECTION SCHEMATIC DIAGRAM

32





NV-SJ430A, SJ530AM/EU/AU  
SYSTEM CONTROL & SERVO SECTION SCHEMATIC DIAGRAM

NOTE: DO NOT USE ANY PART NUMBER SUFFIXES WHEN ORDERING. WHEN YOU ORDER A PART, SPECIFY THE PART NUMBER AND THE SUFFIX.

12

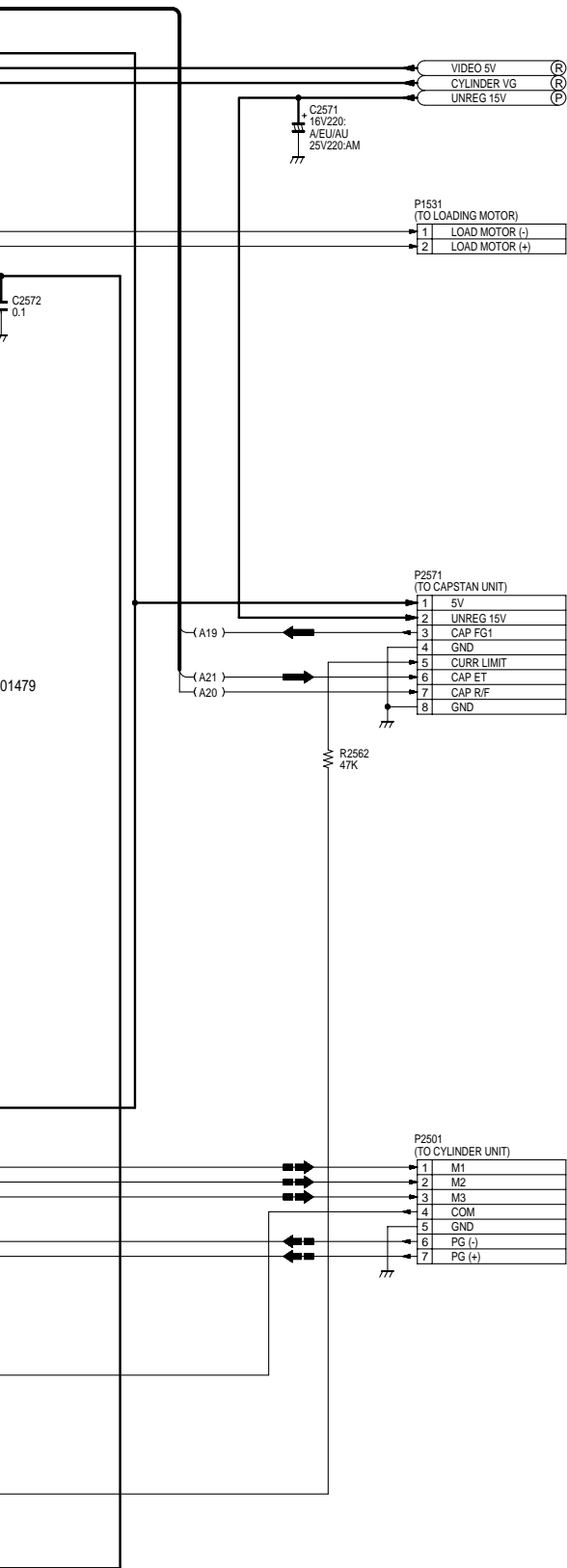
13

14

15

16

17

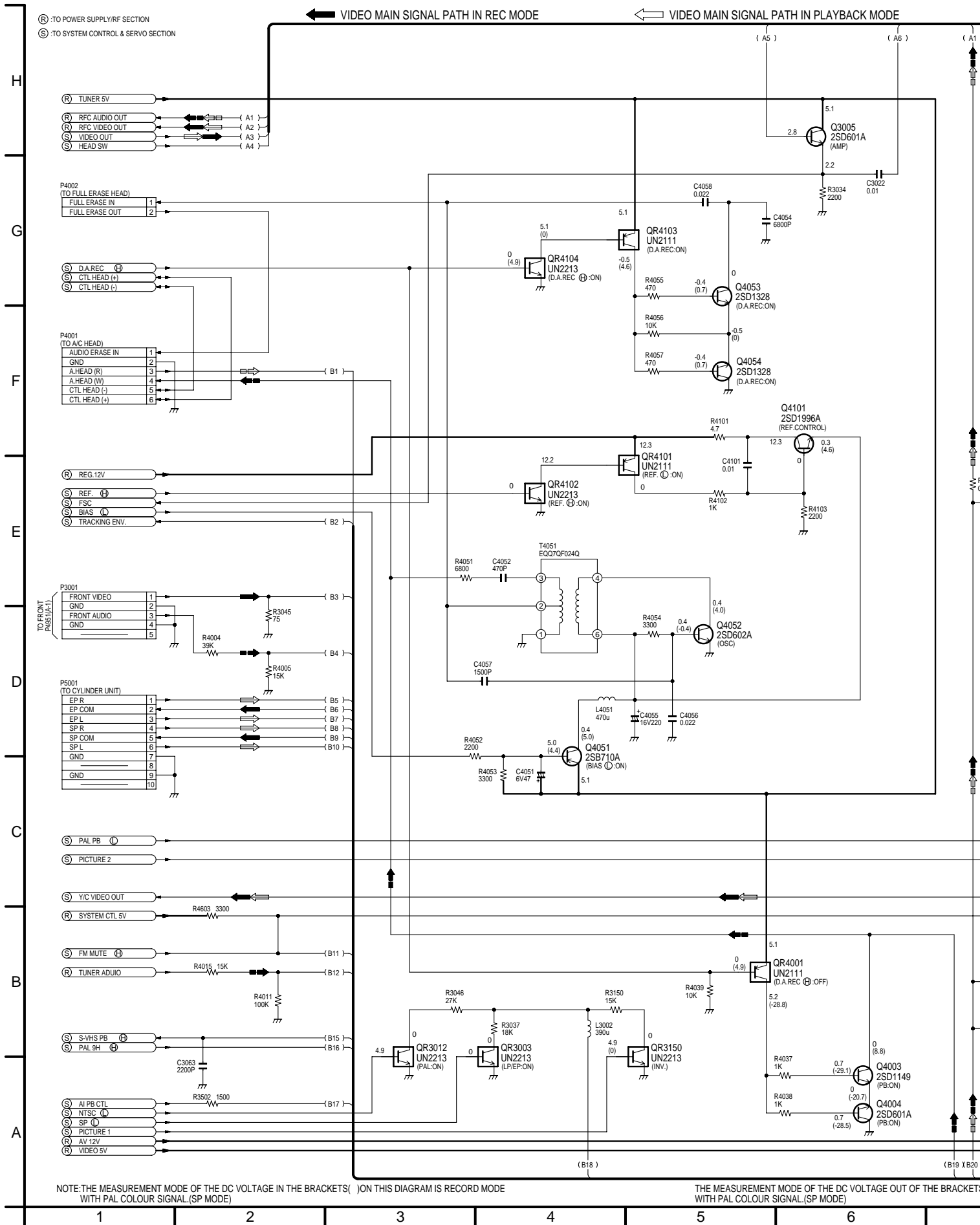


IF ANY PART NUMBER SHOWN ON THIS SCHEMATIC DIAGRAM FOR  
WHEN YOU ORDER A PART, PLEASE REFER TO PARTS LIST.

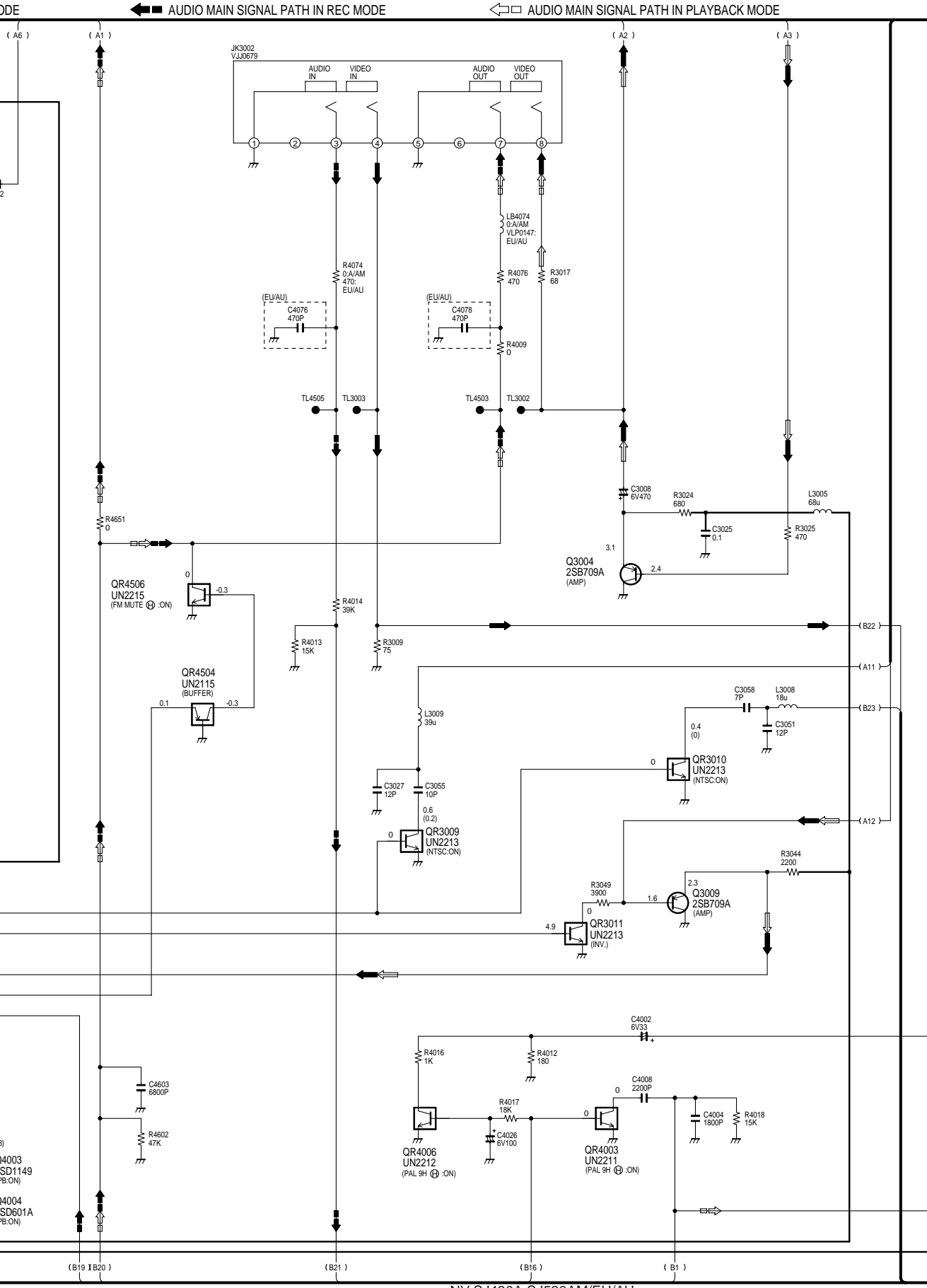
NV-SJ430A, SJ530AM/EU/AU  
SYSTEM CONTROL & SERVO  
SECTION SCHEMATIC DIAGRAM

17 | 18 | 19

# 8.5. LUMINANCE & CHROMINANCE/ AUDIO SECTION IN MAIN SCHEMATIC DIAGR.



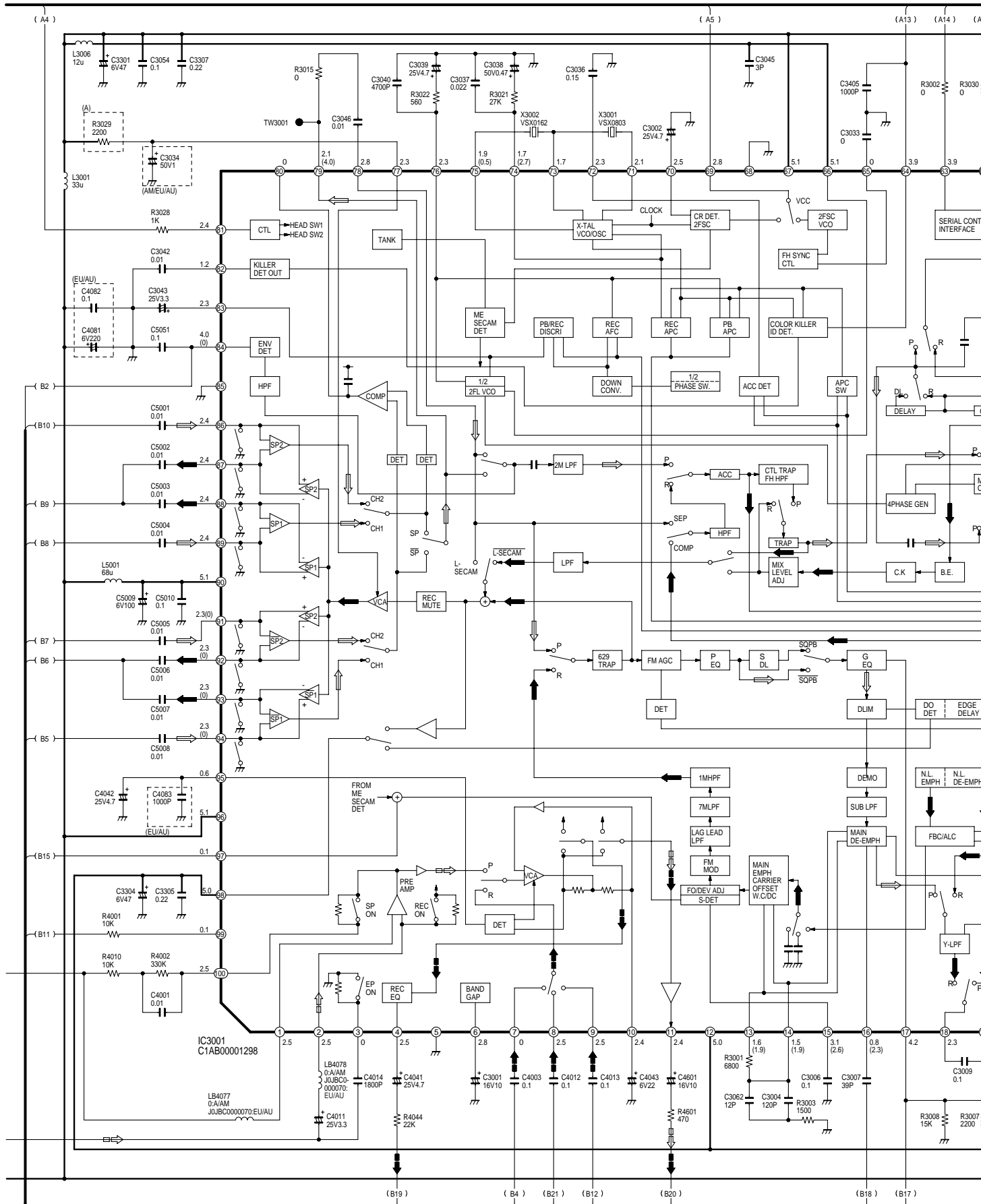
# C DIAGRAM



OUT OF THE BRACKETS ON THIS DIAGRAM IS PLAYBACK MODE

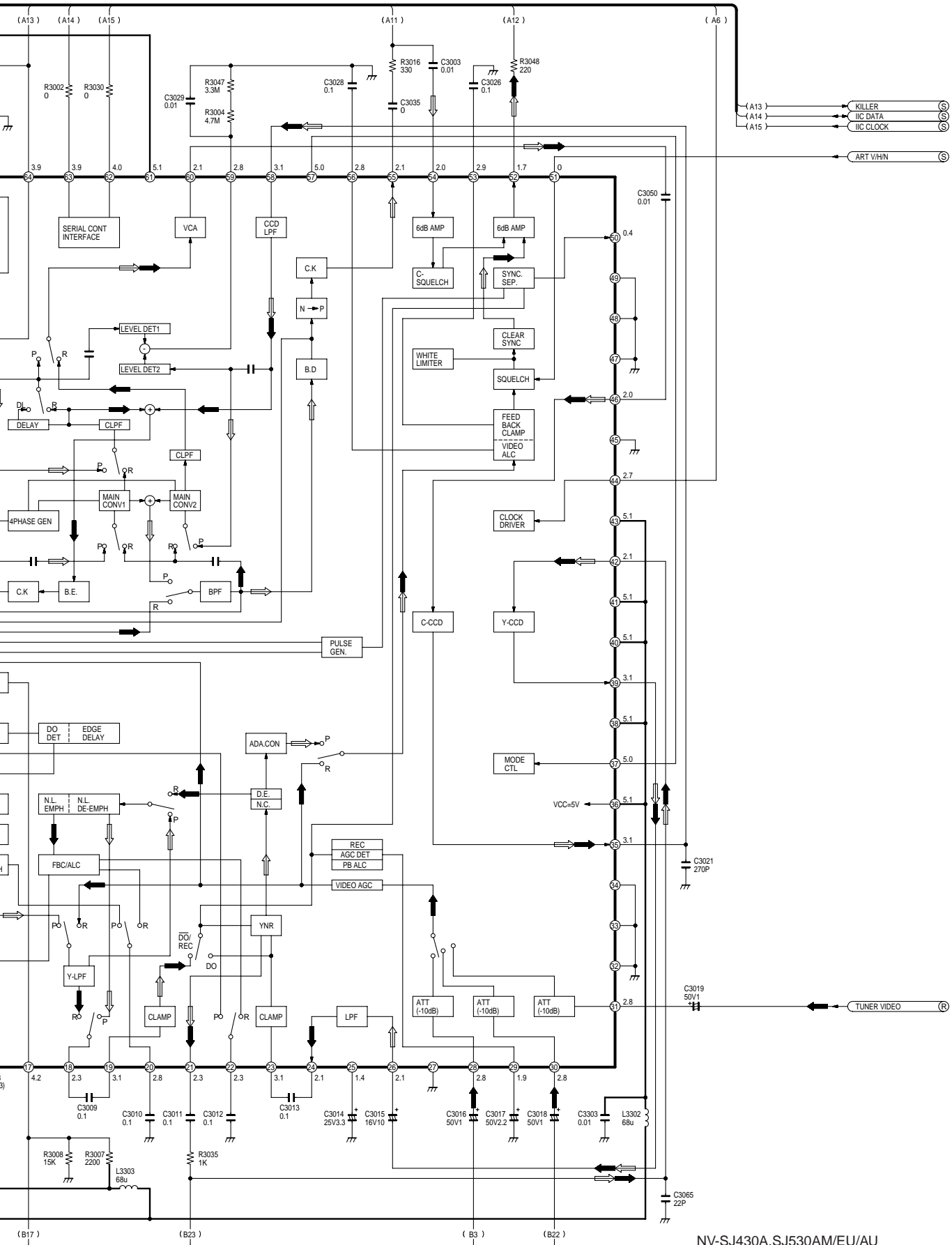
NV-SJ430A, SJ530AM/EU/AU LUMINANCE & CHROMINANCE/AUDIO SECTION SCHEMATIC DIAGRAM

7 8 9 10 11 12



NV-SJ430A, SJ530AM/EU/AU  
LUMINANCE & CHROMINANCE/AUDIO SECTION SCHEMATIC DIAGRAM

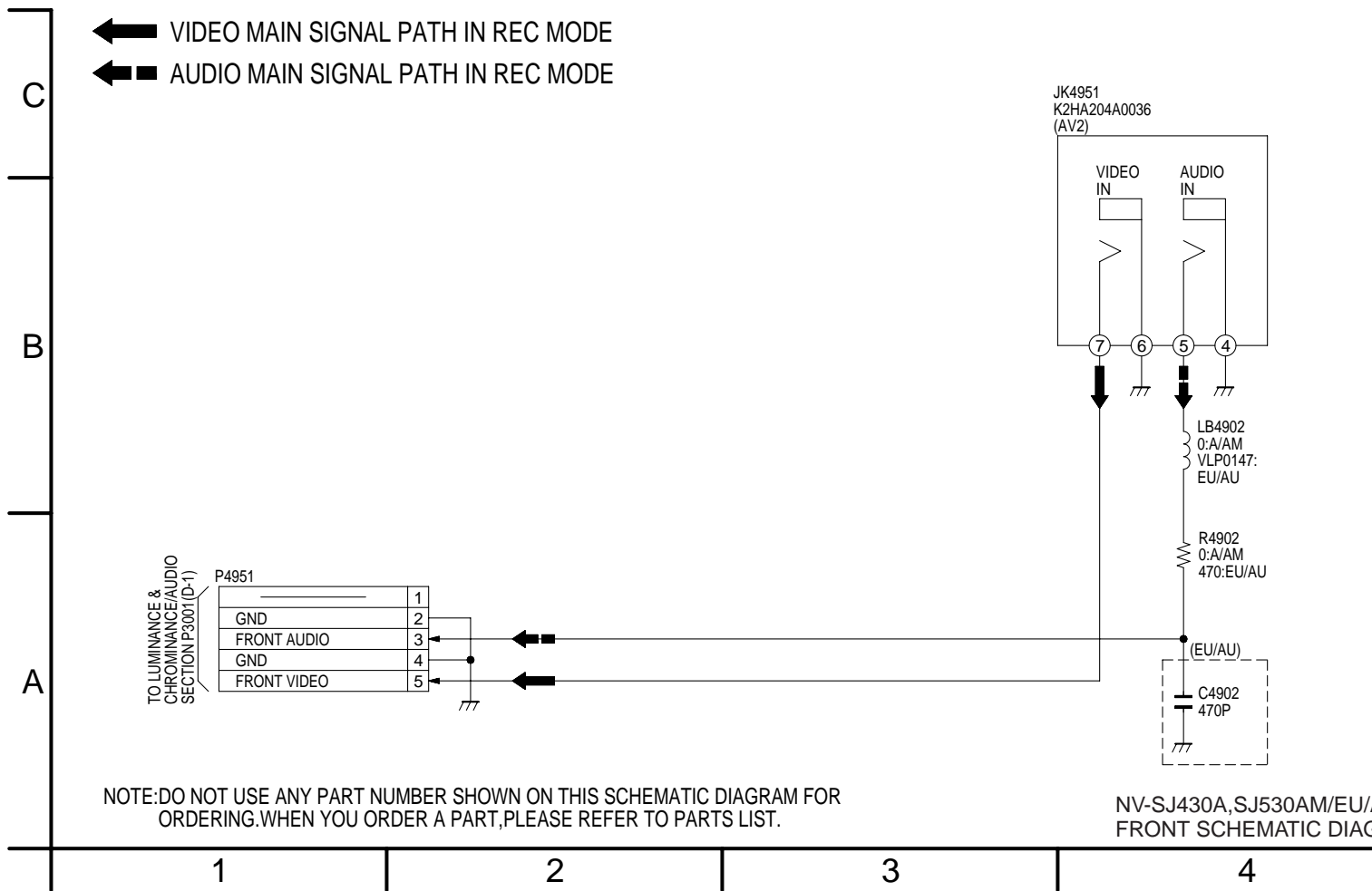
12      13      14      15      16      17      18



NOTE: DO NOT USE ANY PART NUMBER SHOWN ON THIS SCHEMATIC DIAGRAM FOR ORDERING. WHEN YOU ORDER A PART, PLEASE REFER TO PARTS LIST.

NV-SJ430A, SJ530AM/EU/AU  
LUMINANCE & CHROMINANCE/AUDIO  
SECTION SCHEMATIC DIAGRAM

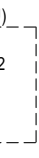
## 8.6. FRONT SCHEMATIC DIAGRAM





02  
M  
47:  
J

2  
M  
U/AU



SJ530AM/EU/AU  
SCHEMATIC DIAGRAM

4

