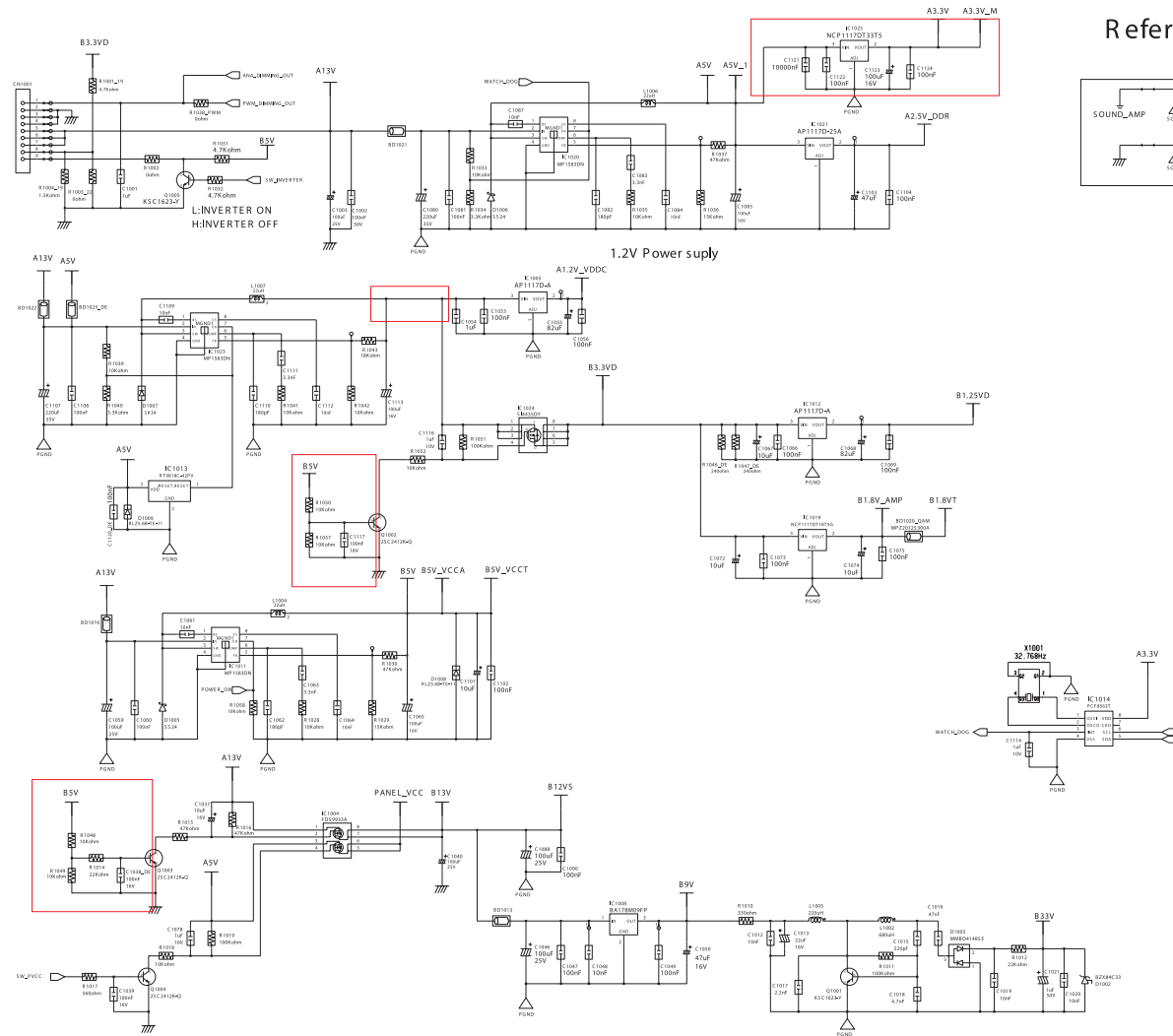


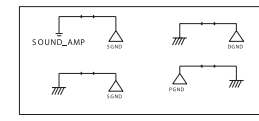
9 Schematic Diagrams

-This Document can not be used without Samsung's authorization.

9-1 Power_Function Schematic Diagram



Reference : 1001~



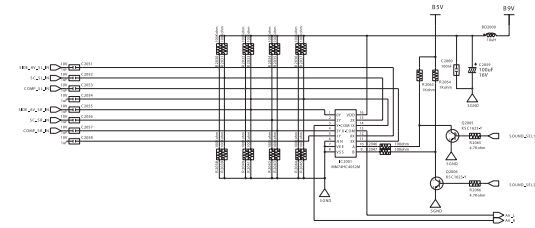
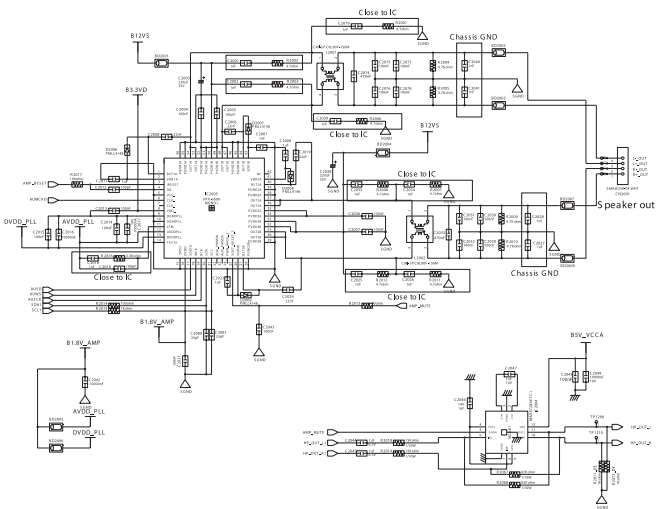
9 Schematic Diagrams

-This Document can not be used without Samsung 's authorization.

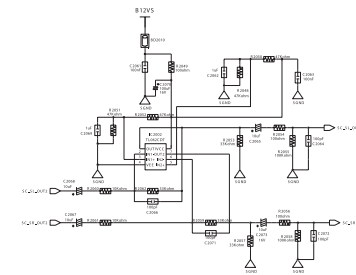
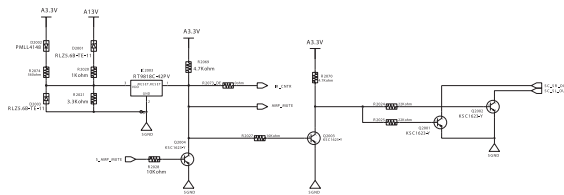
9-2 Sound Processing Schematic Diagram

Reference : 2001~

SOUND AMP



POP NOISE SOLUTION

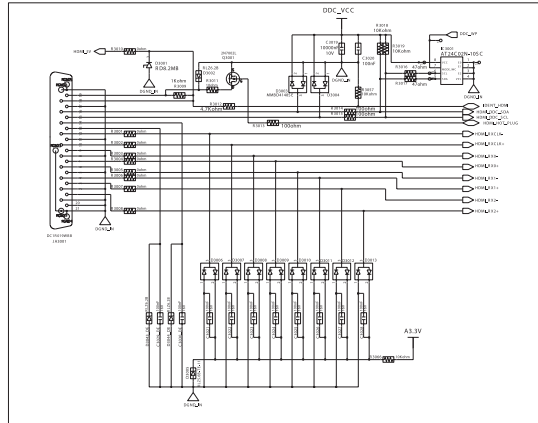


-This Document can not be used without Samsung 's authorization.

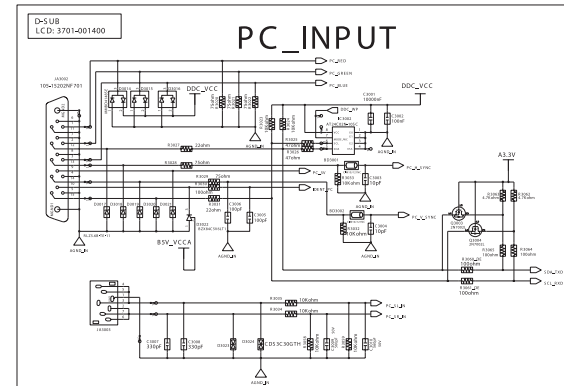
9-3 Input & Output jack I Schematic Diagram

Reference : 3001~

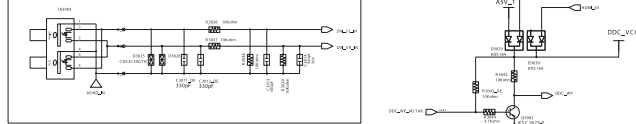
HDMI INPUT



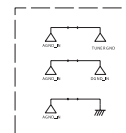
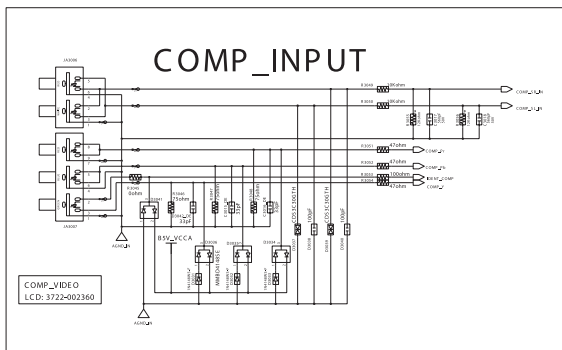
PC_INPUT



DVI SOUND INPUT



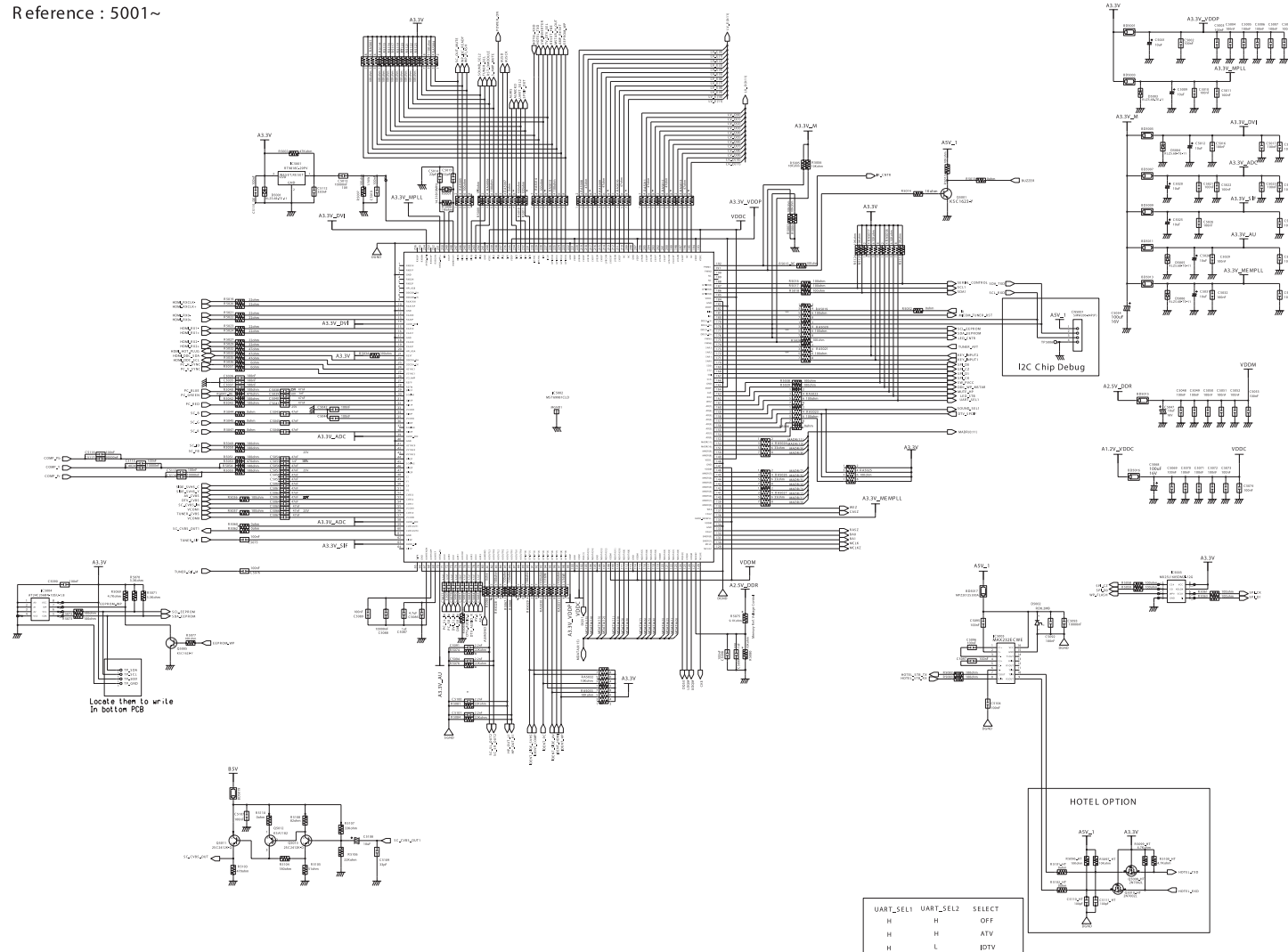
COMP_INPUT



-This Document can not be used without Samsung 's authorization.

9-5 MST6890BL Schematic Diagram

Reference : 5001~



9 Schematic Diagrams

-This Document can not be used without Samsung ' s authorization.

9-6 DDR & Tuner Schematic Diagram

Reference : 6001~

