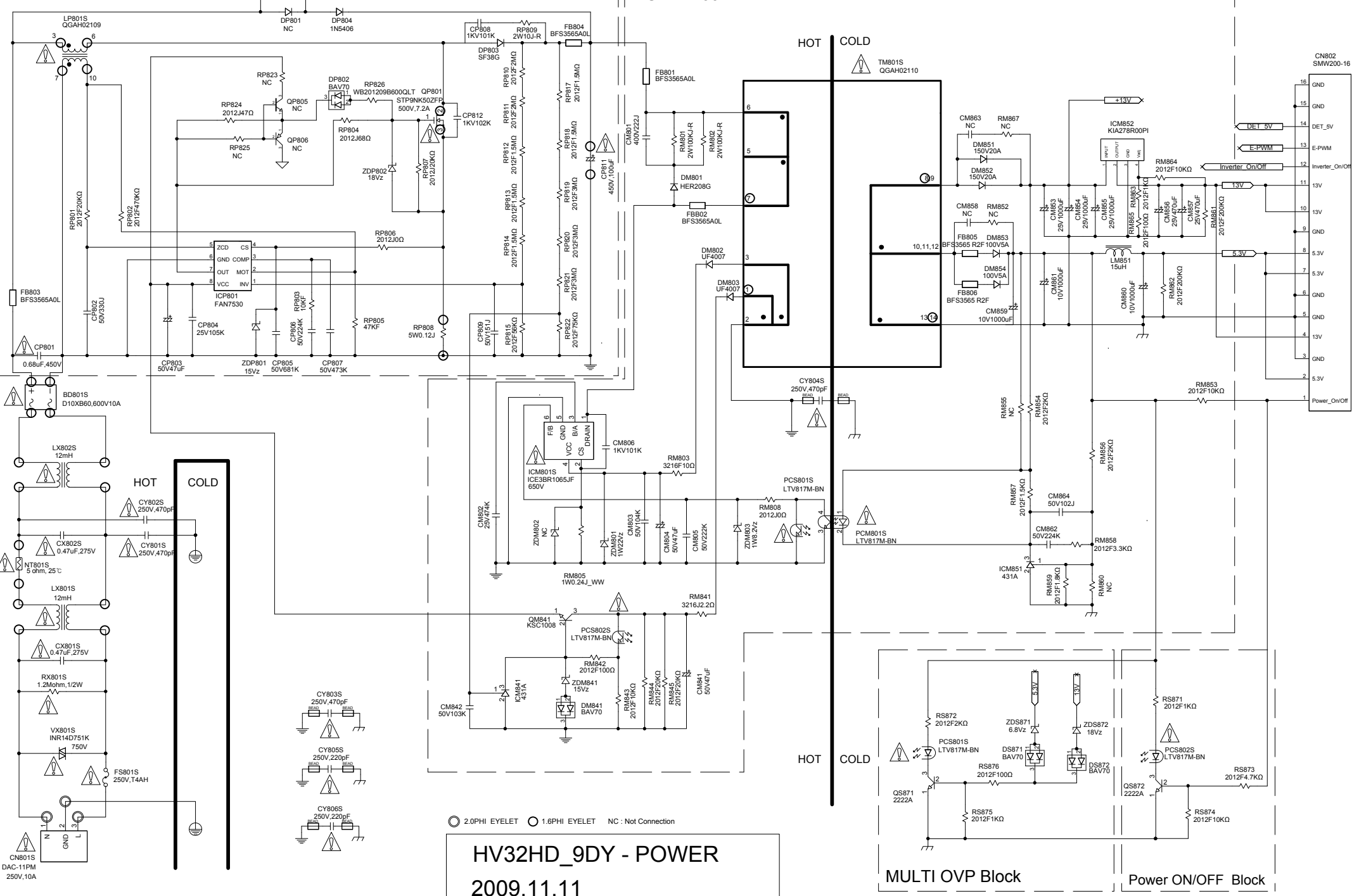


PFC Block

MULTI Block



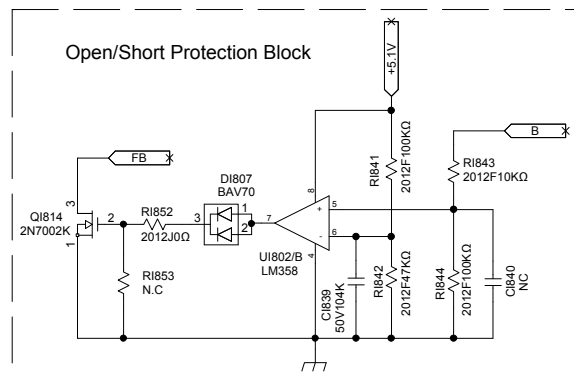
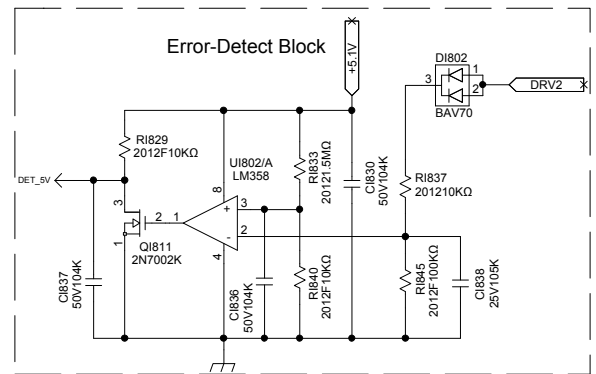
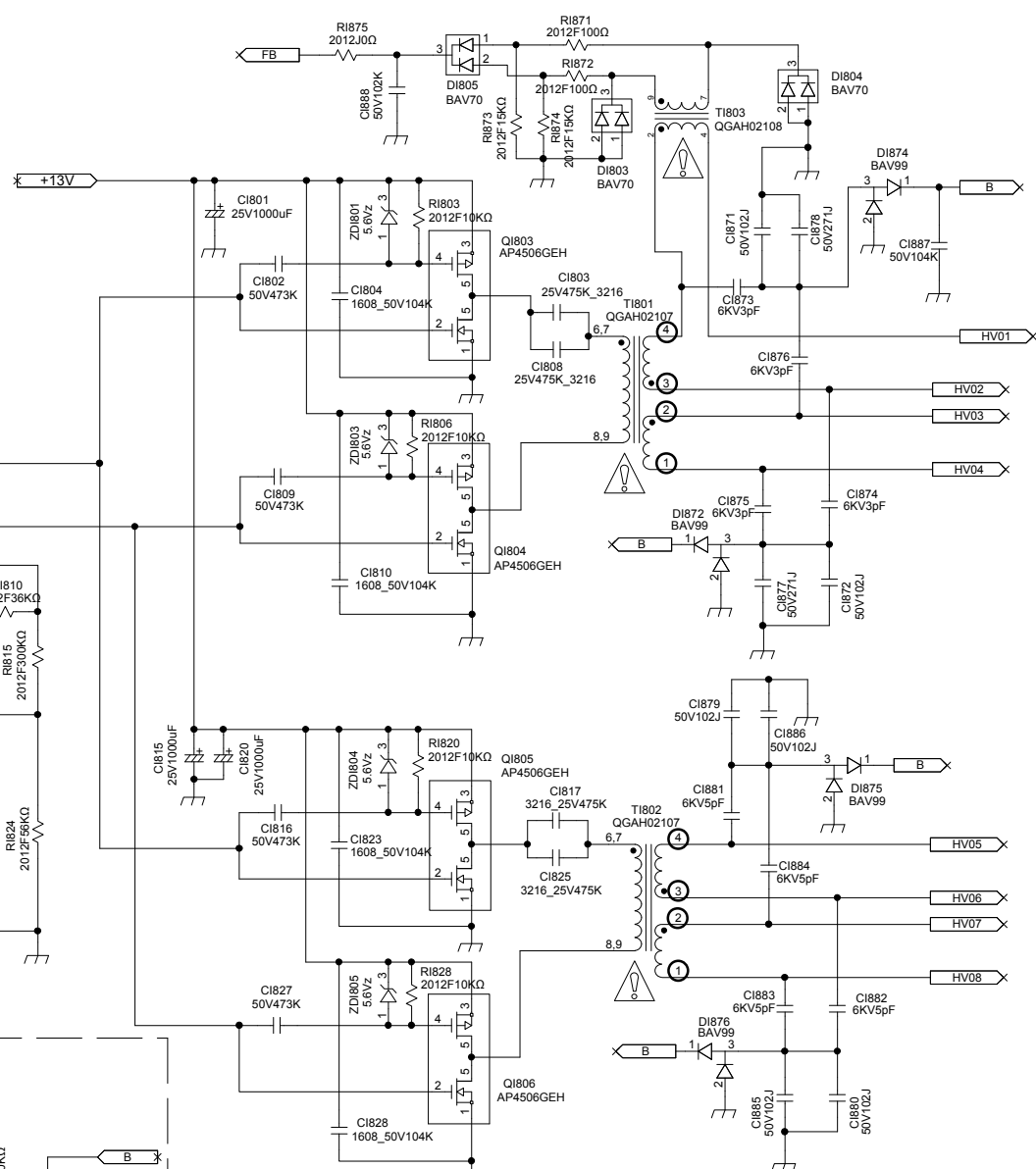
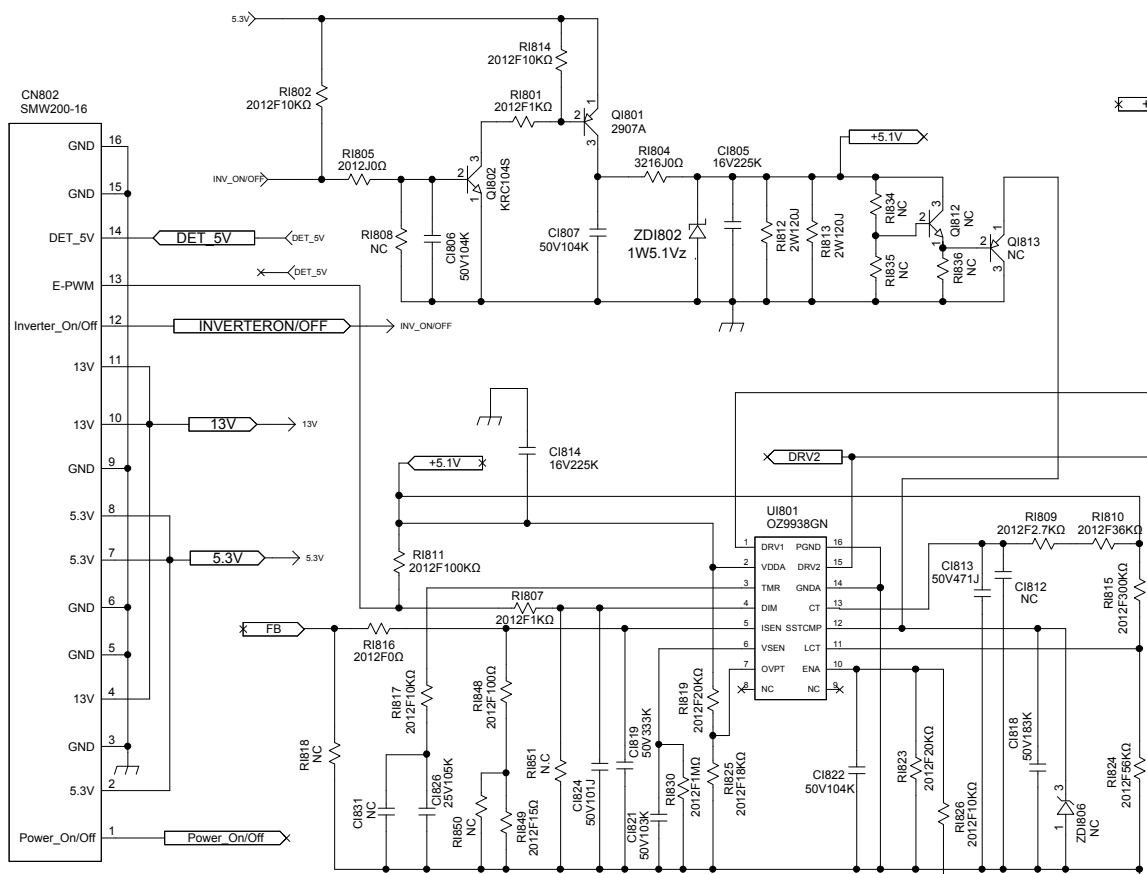
● 2.0PHI EYELET ○ 1.6PHI EYELET NC : Not Connection

HV32HD_9DY - POWER
2009.11.11

MULTI OVP Block

Power ON/OFF Block

Title		HV32HD_9DY - POWER		{TITLE}
Size	A3	No.	Rev	R.H
File	FILE	Title	Date	Time
				of



○ 2.0PHI EYELET ○ 1.6PHI EYELET NC : Not Connection

HV32HD_9DY - Inverter
2009.11.11

Title HV32HD_9DY-Inverter		Note {NOTE}	
Size A3	DOC NO. {DOCNO}	Revision R.H	
HV32HD_9DY(INVERTER)-091111(R.1.1) 6.24.52 (SHNO)			