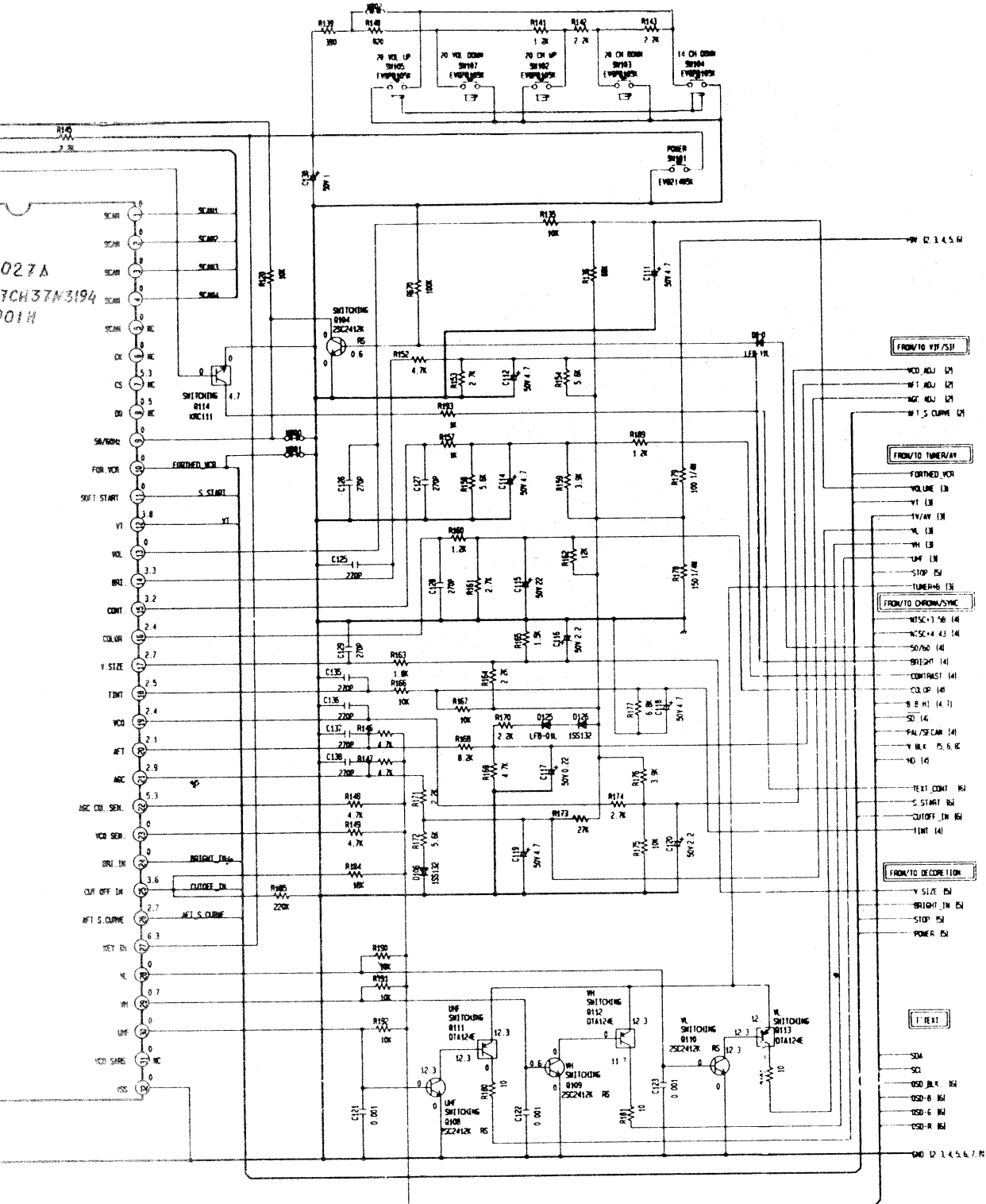
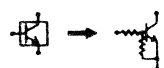


# MODEL: TV 2180MK6



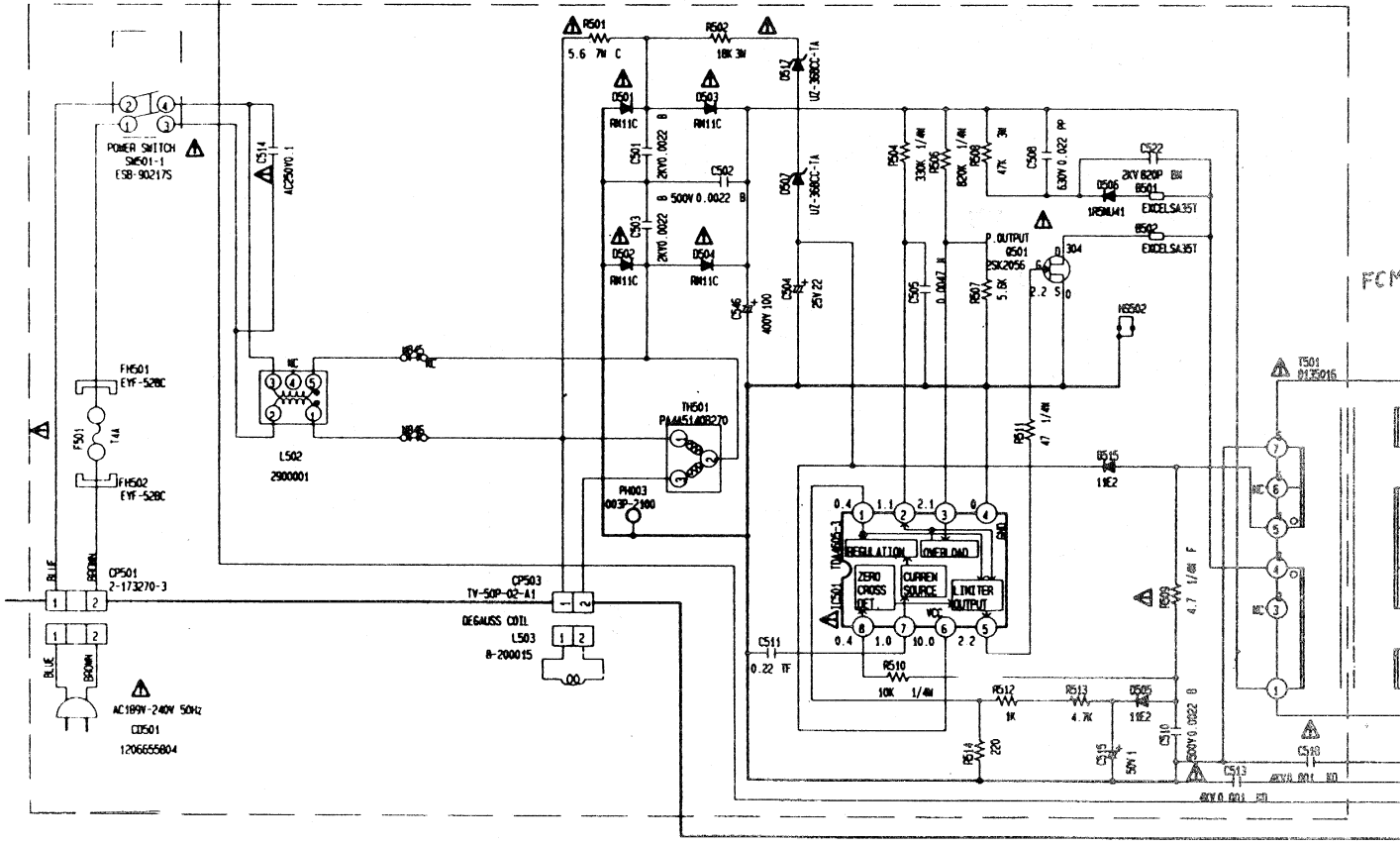
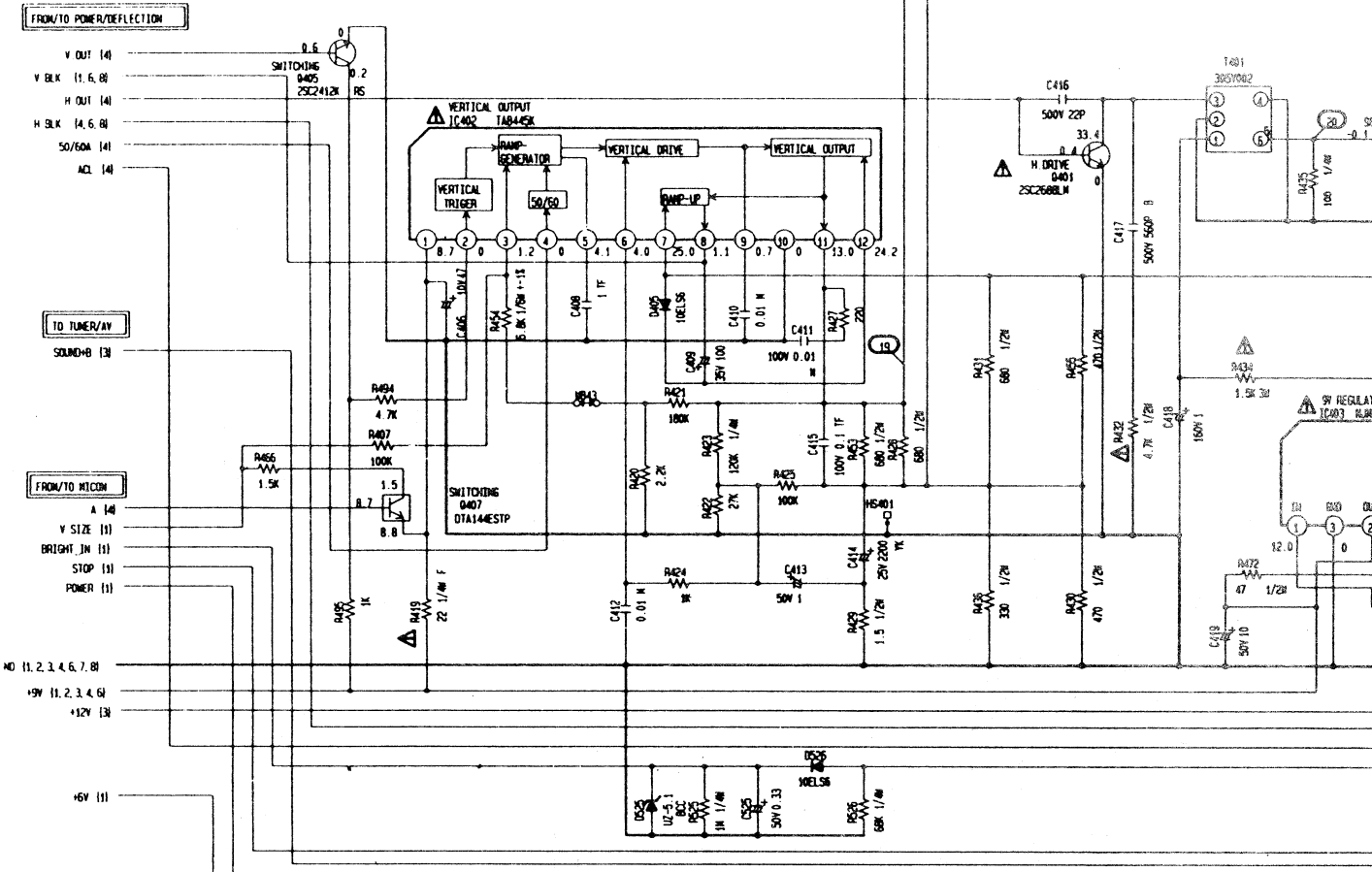
027A  
7CH37N3194  
001H

CAUTION: DIGITAL TRANSISTOR



DWG. NO. W-7004Y 1

1 / 8





FROM/TO MB/CN1

GND 11, 2, 3, 5, 6, 7, 8  
 +5V 11, 2, 3, 5, 6  
 R IN 1  
 G IN 1  
 B IN 1  
 2H BLK IN 1  
 H BLK IN 6, 6 IN

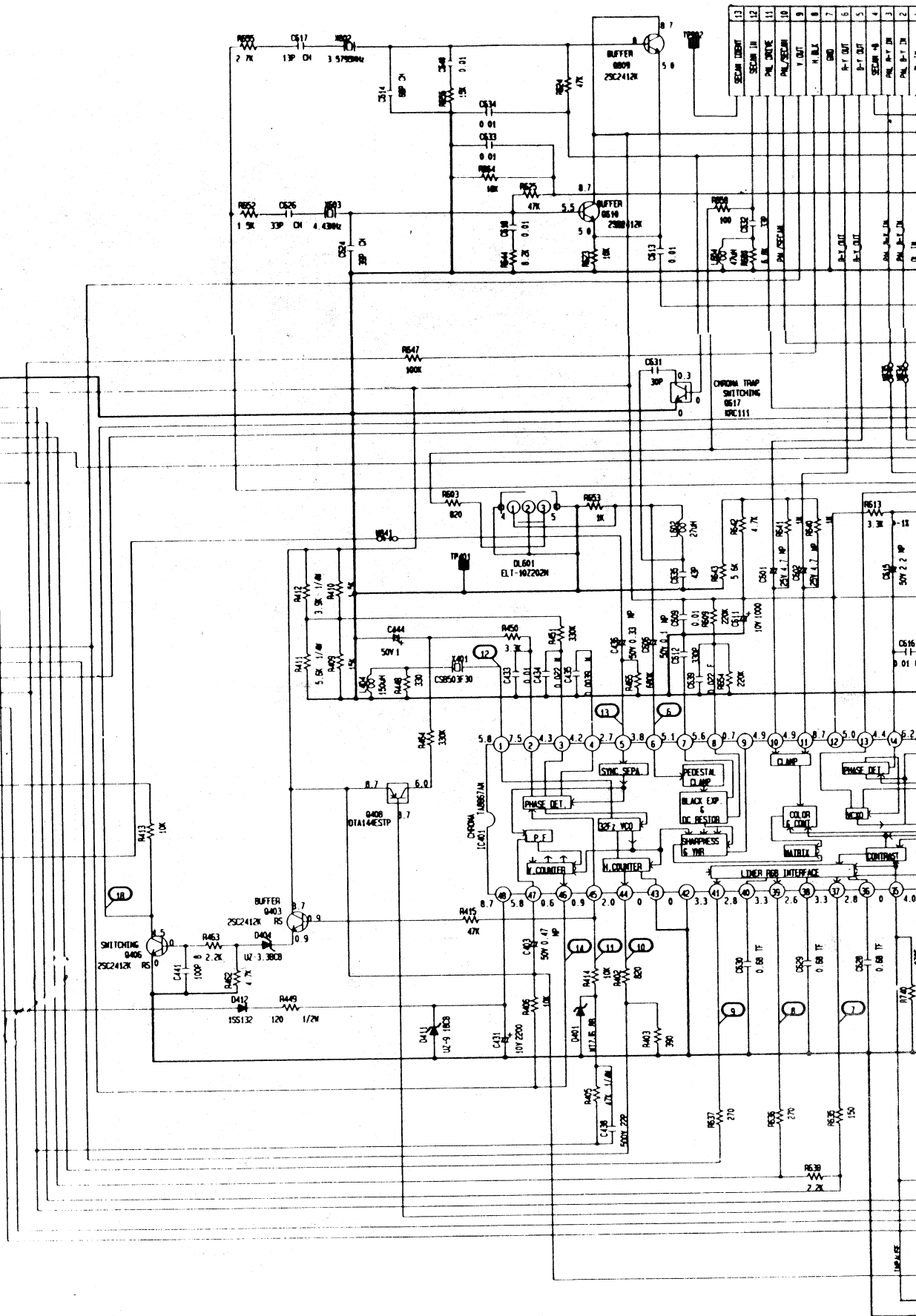
MB BLK IN

FROM/TO POWER/DEFLECTION

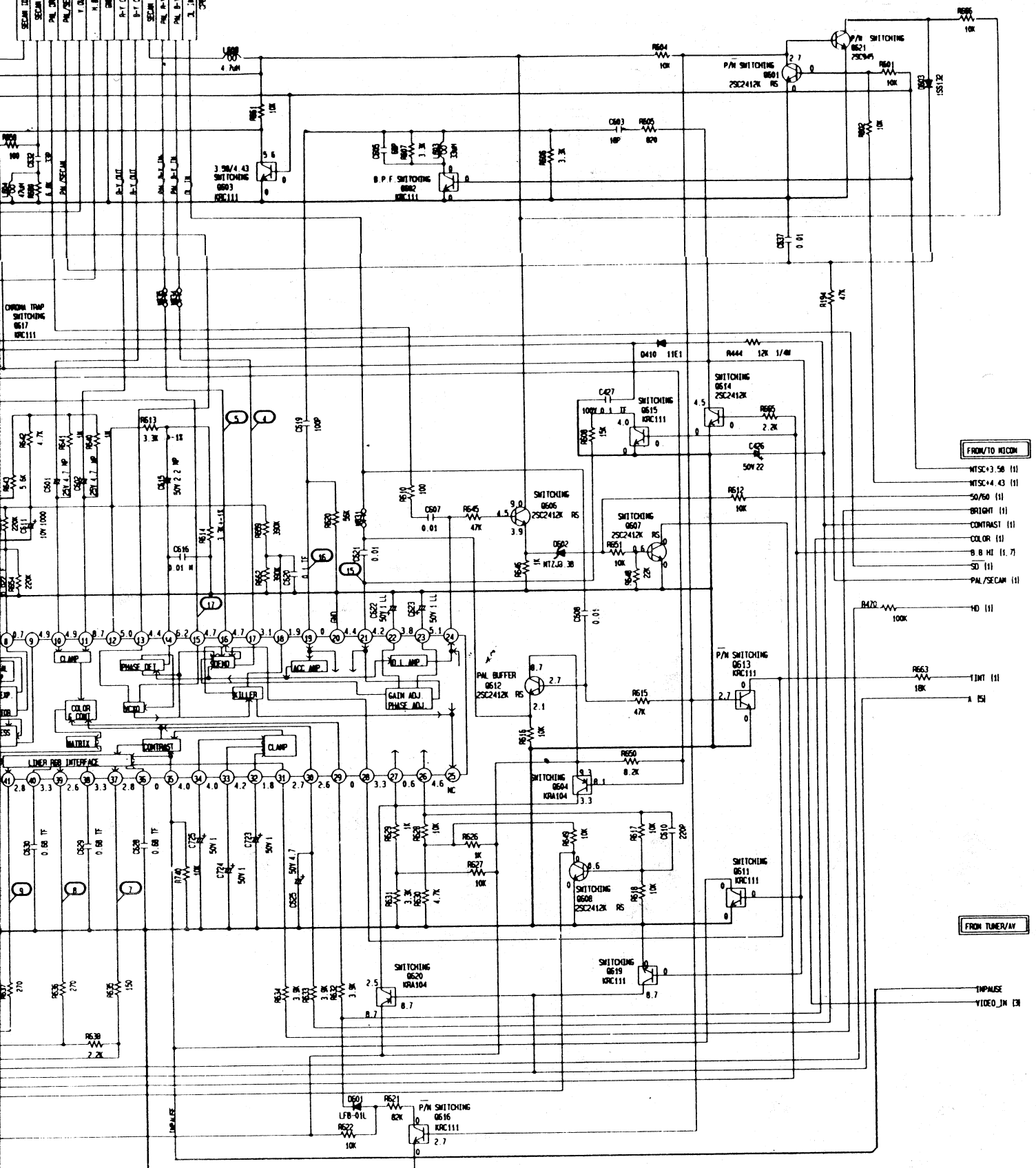
Y OUT 151  
 H OUT 151  
 A2 151  
 H BLK IN 6, 6 IN  
 SC/60A 151  
 +14V 13, 51  
 +5V 11, 3, 71

FROM/TO T' TEXT

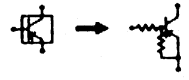
SYNC OUT



13	SECAM IDENT
12	SECAM LH
11	PAL/SECAM
10	PAL/SECAM
9	V. OUT
8	H. BLK
7	END
6	P-T OUT
5	P-T OUT
4	SECAM-A
3	PAL/SECAM
2	PAL/SECAM
1	LINE



CAUTION: DIGITAL TRANSISTOR





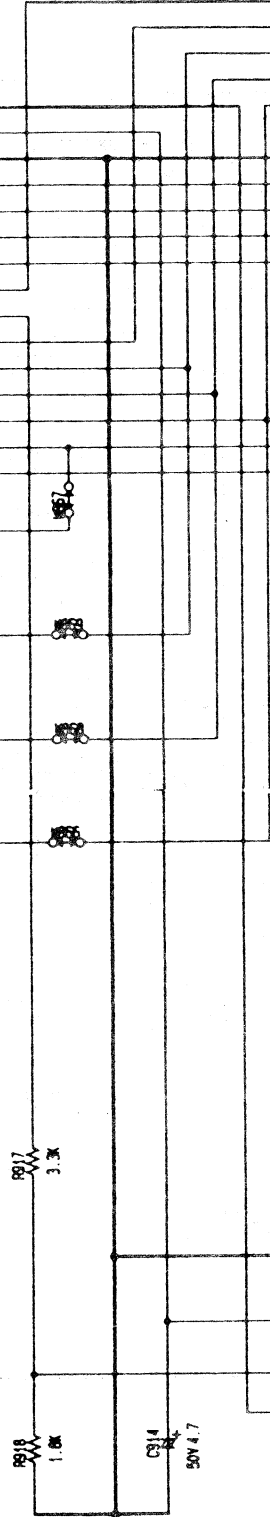




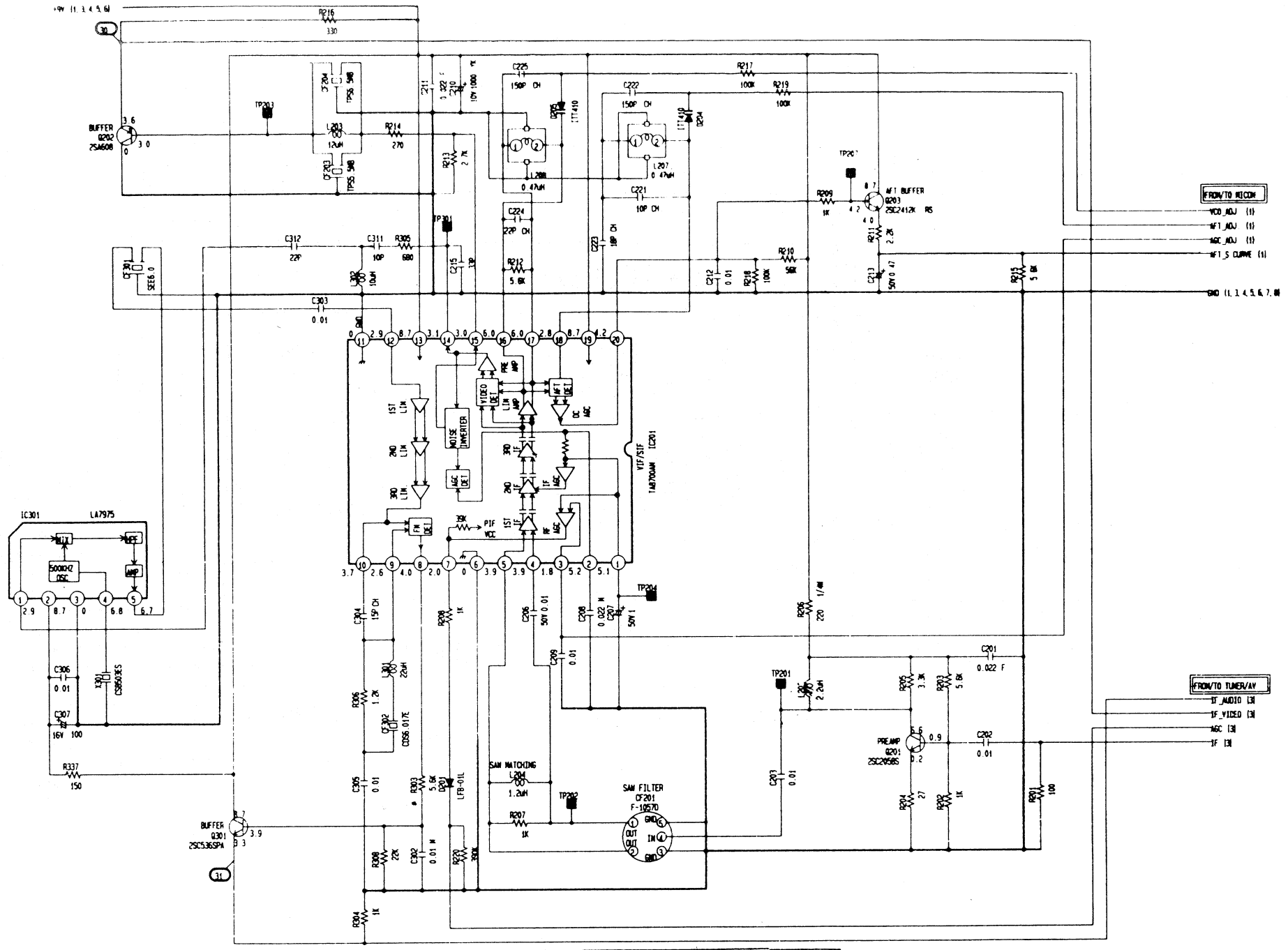
FROM/TO AKB/CRT

TEXT CONT (1)

- S START (1)
- CUTOFF\_IM (1)
- GND (1, 2, 3, 4, 5, 7, 8)
- +5V (1, 2, 3, 4, 5)
- R (4)
- G (4)
- B (4)
- ZH\_BLK (4)
- V\_BLK (1, 5, 8)
- H\_BLK (4, 5, 8)
- TEXT-R
- TEXT-G
- TEXT-B
- TEXT\_BLK
- AKB\_BLK (4)
- OSD\_BLK (1)
- OSD-R (1)
- SW-R
- OSD-G (1)
- SW-G
- OSD-B (1)
- SW-B (7)







FROM/TO RECOM

- Y00\_AOU (1)
- YF1\_AOU (1)
- YAC\_AOU (1)
- YF1.5\_CLAMP (1)

SHO (1,1,4,5,6,7,8)

FROM/TO TUNER/AV

- IF\_AUDIO (3)
- IF\_VIDEO (3)
- YAC (3)
- IF (3)

FROM RECOM

