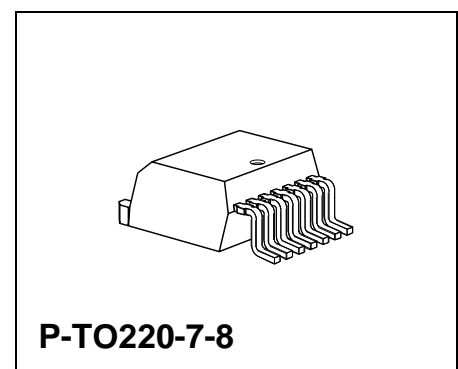
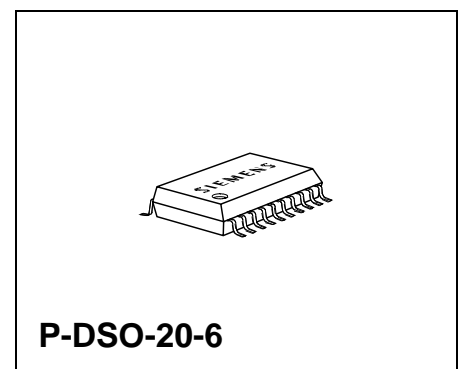
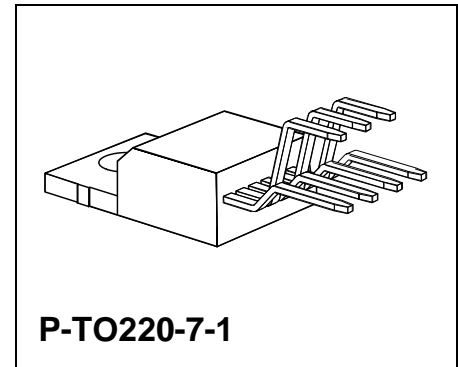


5-V Low-Drop Voltage Regulator

TLE 4261-2

Features

- High accuracy $5\text{ V} \pm 2\%$
- Very low-drop voltage
- Very low quiescent current
- Low starting-current consumption
- Proof against reverse polarity
- Input voltage up to 42 V
- Overvoltage protection up to 65 V ($\leq 400\text{ ms}$)
- Short-circuit-proof
- External setting of reset delay
- Integrated watchdog circuit
- Wide temperature range
- Overtemperature protection
- Suitable for automotive use
- EMC proofed (100 V/m)



Type	Ordering Code	Package
▼ TLE 4261-2	Q67000-A9110	P-TO220-7-1
▼ TLE 4261-2 G	Q67000-A9140	P-DSO-20-6 (SMD)
▼ TLE 4261-2 GL	Q67006-A9193	P-TO220-7-8 (SMD)

- ▼ Please also refer to the new pin compatible device
TLE 4271

Functional Description

TLE 4261-2 is a high accuracy 5-V low-drop voltage regulator in a P-TO220-7 or in a P-DSO package. The maximum input voltage is 42 V (65 V/ $\leq 400\text{ ms}$). The device can produce an output current of more than 500 mA. It is short-circuit-proof and incorporates temperature protection that disables the circuit at impermissibly high temperatures.

Application Description

The IC regulates an input voltage V_I in the range $6\text{ V} < V_I < 40\text{ V}$ to $V_{\text{Qrated}} = 5.0\text{ V}$. A reset signal is generated for an output voltage V_O of $< 4.75\text{ V}$. The reset delay can be set with an external capacitor. A connected microprocessor is monitored by the integrated watchdog circuit; if pulses are missing, the reset output is set low. The pulse repetition rate can be set within wide limits with the capacitor for reset delay. If this input is connected to a voltage of $> 6\text{ V}$, the watchdog function is deactivated. The device also features an inhibit input, which is activated by a voltage of $> 6\text{ V}$ and then works on this input through internal hysteresis up to approx. 3 V . A voltage of $< 2\text{ V}$ on the inhibit input turns off the regulator, current drain then dropping to max. $50\text{ }\mu\text{A}$.

Design Notes for External Components

The input capacitor C_1 causes a low-resistance powerline and limits the rise times of the input voltage. The IC is protected against rise times up to $100\text{ V}/\mu\text{s}$. It is possible to damp the tuned circuit consisting of supply inductance and input capacitance with a resistor of approx. $1\text{ }\Omega$ in series to C_1 .

The output capacitor maintains the stability of the regulating loop. Stability is guaranteed with a rating of $22\text{ }\mu\text{F}$ min. at an ESR of $3\text{ }\Omega$ max. in the operating temperature range.

Circuit Description

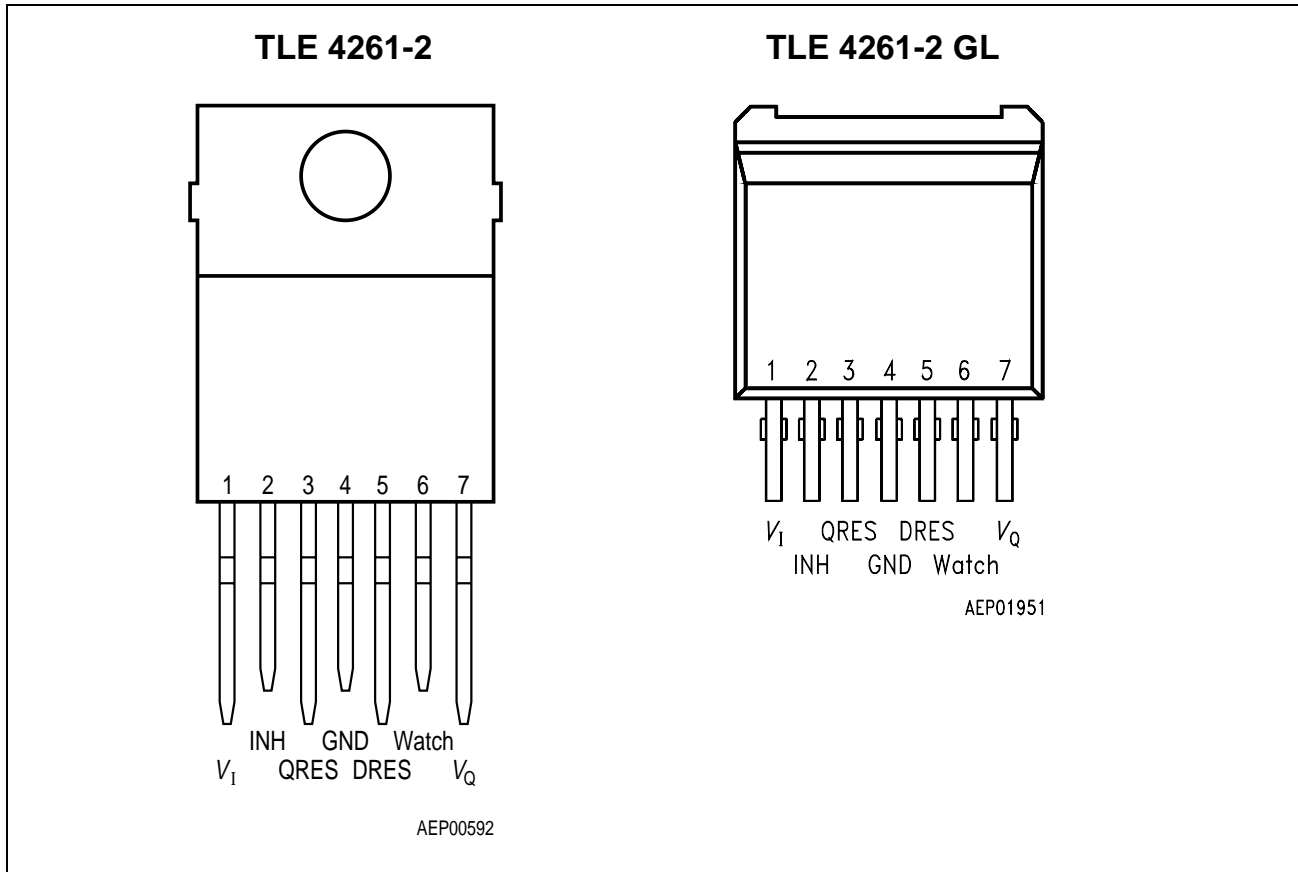
The control amplifier compares a reference voltage, which is kept highly accurate by resistance adjustment, to a voltage that is proportional to the output voltage and controls the base of the series PNP transistor via a buffer. Saturation control as a function of the load current prevents any over-saturation of the power element. If the output voltage drops below 95.5% of its typical value for more than $2\text{ }\mu\text{s}$, a reset signal is triggered on pin 3 and an external capacitor discharged on pin 5. The reset signal is not cancelled until the voltage on the capacitor has exceeded the upper switching threshold V_{DT} . A positive-edge-triggered watchdog circuit monitors the connected microprocessor and will likewise trigger a reset if pulses are missing. The IC can be disabled by a low level on the inhibit input and the current consumption drops to $< 50\text{ }\mu\text{A}$.

The IC also incorporates a number of circuits for protection against:

- Overload
- Overvoltage
- Overtemperature
- Reverse polarity

Pin Configuration

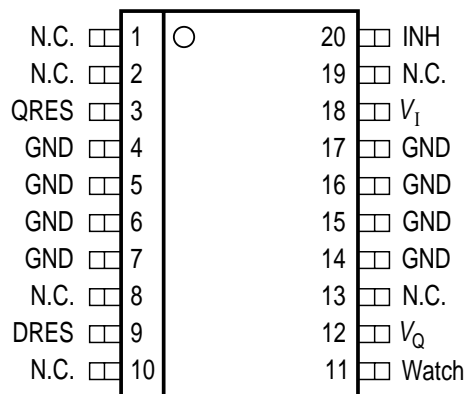
(top view)



Pin Definitions and Functions

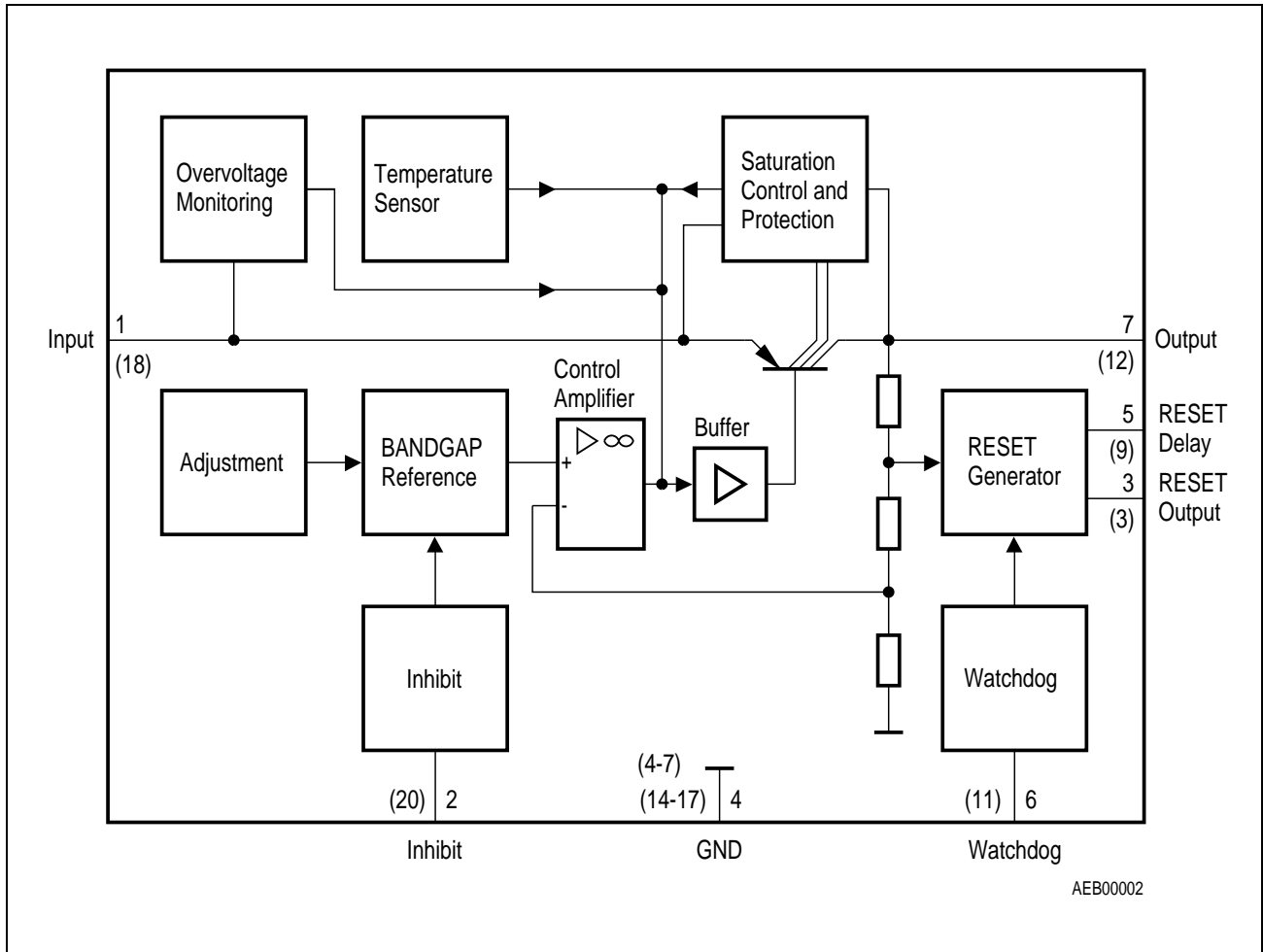
Pin No.	Symbol	Function
1	V_1	Input voltage ; block a capacitor directly to ground on the IC. The capacitor rating will depend on the vehicle electric system. Oscillation of the output voltage can be damped by a resistor of approx. 1Ω in series with the input capacitor.
2	INH	Inhibit ; switches off the IC when low.
3	QRES	Reset output ; open collector output controlled by the reset delay.
4	GND	Ground
5	DRES	Reset delay ; wired to ground using a capacitor.
6	Watch	Watchdog ; monitors the microprocessor when active.
7	V_Q	5-V output ; block to ground using a capacitor of $\geq 22\text{-}\mu\text{F}$. ESR is $\leq 3 \Omega$ in the operating temperature range.

TLE 4261-2 G



AEP01182

Pin No.	Symbol	Function
18	V_I	Input voltage ; block a capacitor directly to ground on the IC. The capacitor rating will depend on the vehicle electric system. Oscillation of the output voltage can be damped by a resistor of approx. 1 Ω in series with the input capacitor.
20	INH	Inhibit ; switches off the IC when low.
3	QRES	Reset output ; open collector output controlled by the reset delay.
4 -7, 14 - 17	GND	Ground
9	DRES	Reset delay ; wired to ground using a capacitor.
11	Watch	Watchdog ; monitors the microprocessor when active.
12	V_Q	5-V output ; block to ground using a capacitor of $\geq 22\text{-}\mu\text{F}$. ESR is $\leq 3 \Omega$ in the operating temperature range.
1, 2, 8, 10, 13, 19	N.C.	Not connected



Block Diagram

Absolute Maximum Ratings

$T_J = -40$ to 150 °C

Parameter	Symbol	Limit Values		Unit	Remarks
		min.	max.		

Input

Input voltage	V_I	- 42	42	V	-
	V_I	-	65	V	$t \leq 400$ ms
Input current	I_I	-	1.6	A	-

Inhibit

Voltage	V_2	- 0.3	42	V	-
Current	I_2	-	5	mA	-

Reset Output

Voltage	V_R	- 0.3	42	V	-
Current	I_R	-	-	-	internally limited

Ground

Current	I_{GND}	-	0.5	A	-
---------	-----------	---	-----	---	---

Reset Delay

Voltage	V_D	- 0.3	42	V	-
Current	I_D	-	-	-	internally limited

Output

Differential voltage	$V_I - V_Q$	- 5.25	V_I	V	-
Current	I_Q	-	1.4	A	-

Absolute Maximum Ratings (cont'd)

$T_J = -40$ to 150 °C

Parameter	Symbol	Limit Values		Unit	Remarks
		min.	max.		

Temperature

Junction temperature	T_j	–	150	°C	–
Storage temperature	T_{stg}	– 50	150	°C	–

Operating Range

Input voltage	V_I ¹⁾	–	32	V	–
Junction temperature	T_j	– 40	150	°C	–

Thermal Resistance

System-air	R_{thSA}	–	65 (70) ²⁾	K/W	–
System-case	R_{thSC}	–	3 (15) ²⁾	K/W	–

¹⁾ see diagram

²⁾ Figures in parenthesis refer to TLE 4261-2 G.

Characteristics

$V_1 = 13.5 \text{ V}$; $T_j = 25 \text{ }^\circ\text{C}$; $V_5 \geq 6 \text{ V}$ (unless otherwise specified)

Parameter	Symbol	Limit Values			Unit	Test Condition
		min.	typ.	max.		

Normal Operation

Output voltage	V_Q	4.9	5.0	5.1	V	$I_Q = 100 \text{ mA}$ $-40 \text{ }^\circ\text{C} \leq T_j \leq 125 \text{ }^\circ\text{C}$
Output current	I_Q	–	–	50	μA	$0 \text{ V} \leq V_1 \leq 2 \text{ V}$; $V_2 = V_1$; $-40 \text{ }^\circ\text{C} \leq T_j \leq 125 \text{ }^\circ\text{C}$
Output current	I_Q	500	1000	–	mA	$V_1 = 17 \text{ V to } 28 \text{ V}$
Current consumption $I_q = I_1 - I_Q$	I_q	–	–	3.5	mA	$I_Q = 0 \text{ mA}$, $V_W > 6 \text{ V}$
Current consumption $I_q = I_1 - I_Q$	I_q	–	–	10	mA	$6 \text{ V} \leq V_1 \leq 28 \text{ V}$ $I_Q = 150 \text{ mA}$
Current consumption $I_q = I_1 - I_Q$	I_q	–	5.0	65	mA	$6 \text{ V} \leq V_1 \leq 28 \text{ V}$ $I_Q = 500 \text{ mA}$
Current consumption $I_q = I_1 - I_Q$	I_q	–	40	80	mA	$V_1 \leq 6 \text{ V}$ $I_Q = 500 \text{ mA}$
Drop voltage	V_{DR}	–	0.35	0.5	V	$V_1 = 4.5 \text{ V}$; $I_Q = 0.5 \text{ A}$
Drop voltage	V_{DR}	–	0.2	0.3	V	$V_1 = 4.5 \text{ V}$; $I_Q = 0.15 \text{ A}$
Load regulation	ΔV_Q	–	15	35	mV	$25 \text{ mA} \leq I_Q \leq 500 \text{ mA}$
Supply-voltage regulation	ΔV_Q	–	15	50	mV	$V_1 \leq 6 \text{ V to } 28 \text{ V}$; $I_Q = 100 \text{ mA}$
Supply-voltage regulation	ΔV_Q	–	5	25	mV	$V_1 \leq 6 \text{ V to } 16 \text{ V}$; $I_Q = 100 \text{ mA}$
Ripple rejection	SVR	–	54	–	dB	$f = 100 \text{ Hz}$; $V_r = 0.5 V_{SS}$
Temperature drift of output voltage	α_{VQ}	–	2×10^{-4}	–	$1/^\circ\text{C}$	–

Characteristics (cont'd)

$V_1 = 13.5 \text{ V}$; $T_j = 25 \text{ }^\circ\text{C}$; $V_5 \geq 6 \text{ V}$ (unless otherwise specified)

Parameter	Symbol	Limit Values			Unit	Test Condition
		min.	typ.	max.		

Inhibit Operation

Current consumption	I_1	–	–	50	μA	$V_2 = 2 \text{ V}$; $I_Q = 0$
Current consumption	I_2	–	–	100	μA	$V_2 = 6 \text{ V}$
Switching threshold for inhibit	V_2	5.0	5.5	6.0	V	IC turned ON
Switching threshold for inhibit	V_2	2.0	2.7	3.7	V	IC turned OFF

Reset Generator

Switching threshold	V_{RT}	94	95.5	97	%	in % of V_Q ; $I_Q > 500 \text{ mA}$; $V_1 = 6 \text{ V}$
Saturation voltage, reset output	V_R	–	0.25	0.40	V	$I_R = 1 \text{ mA}$
Reverse current	I_R	–	–	1	μA	$V_R = 5 \text{ V}$
Charge current	I_D	18.75	25	31.25	μA	$V_C = 1.5 \text{ V}$
Switching threshold	V_{ST}	0.9	1	1.1	V	–
Delay switching threshold	V_{DT}	2.25	2.50	2.75	V	–
Saturation voltage, delay output	V_C	–	–	100	mV	$V_1 = 4.5 \text{ V}$ and I_d
Delay time	t_D	–	10	–	ms	$C_D = 100 \text{ nF}$
Delay time	t_t	–	2	–	μs	–

Characteristics (cont'd)

$V_1 = 13.5 \text{ V}$; $T_j = 25 \text{ °C}$; $V_5 \geq 6 \text{ V}$ (unless otherwise specified)

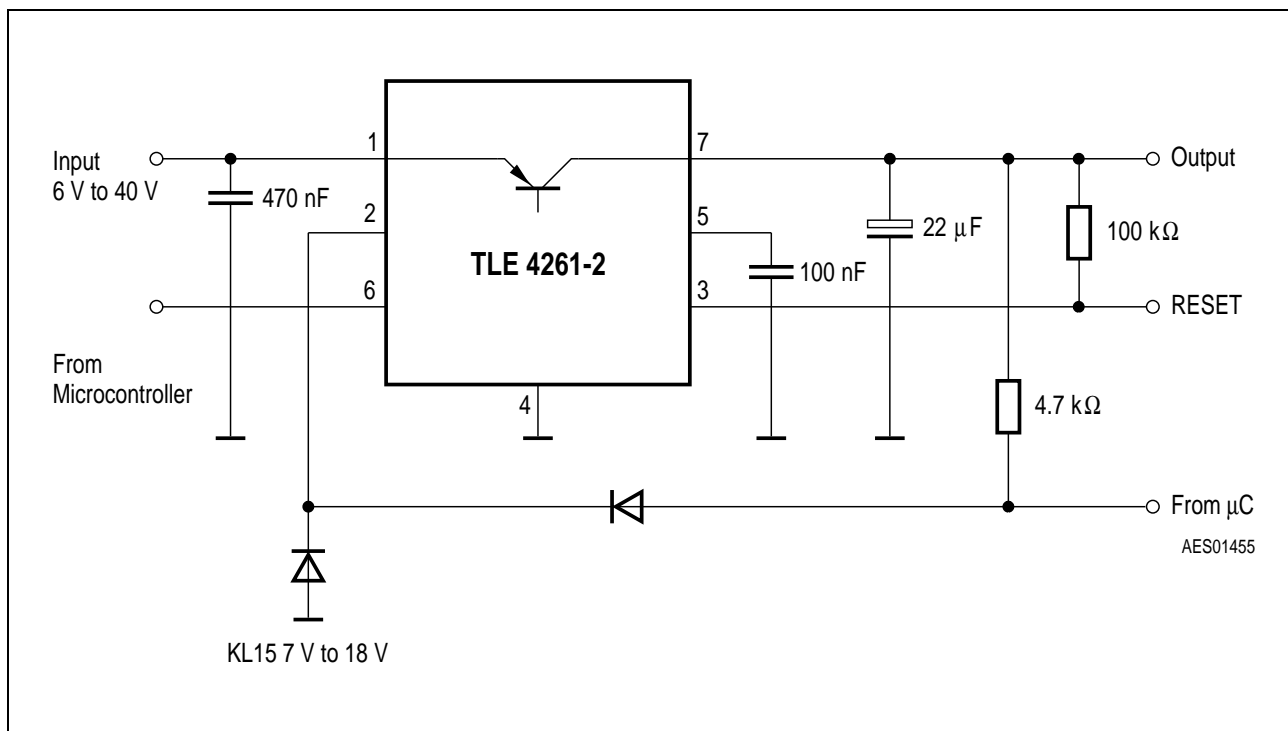
Parameter	Symbol	Limit Values			Unit	Test Condition
		min.	typ.	max.		

Watchdog

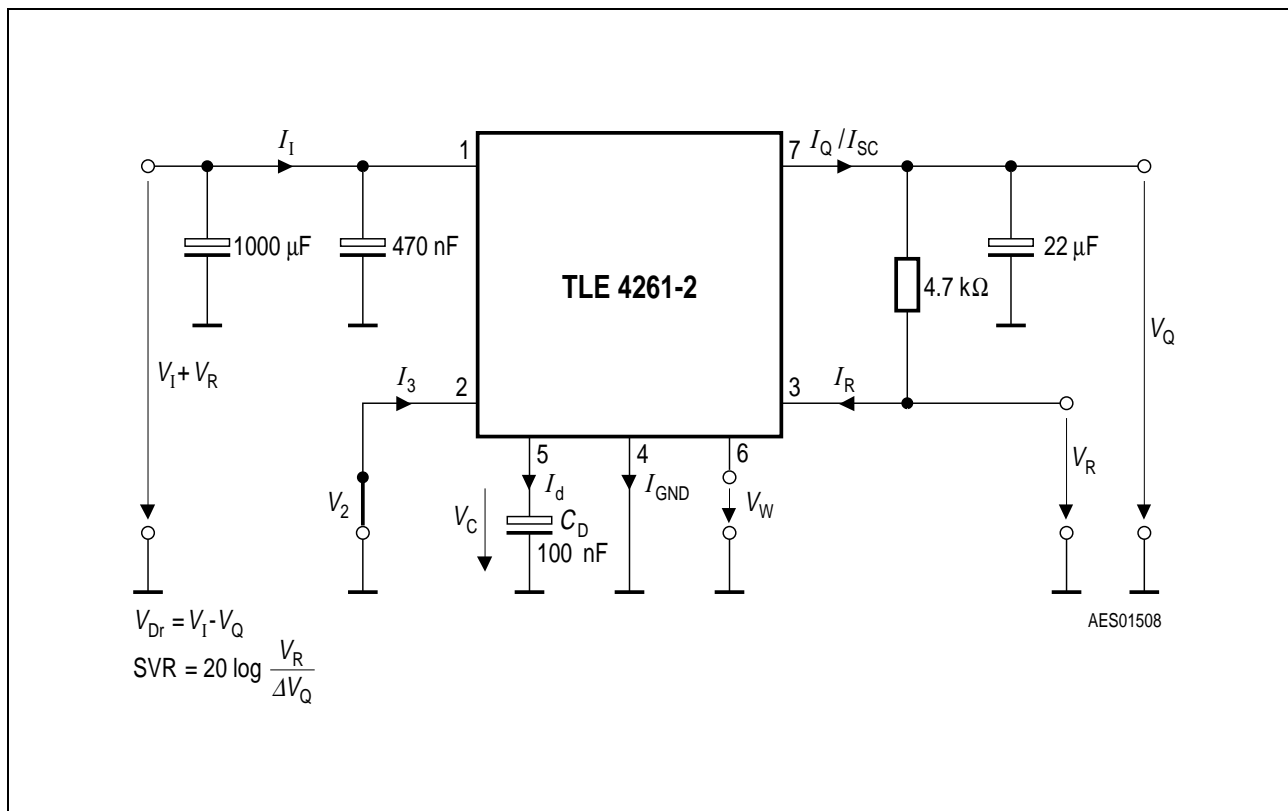
Turn-OFF voltage	V_W	5.2	5.6	6.0	V	–
Discharge current	I_{CD}	5.6	7.5	9.4	μA	$V_C = 1.5 \text{ V}$
Switching voltage	V_{CD}	2.95	3.05	3.15	V	–
Pulse intervall	T_W	–	35	–	ms	$C_D = 100 \text{ nF}$

General Data

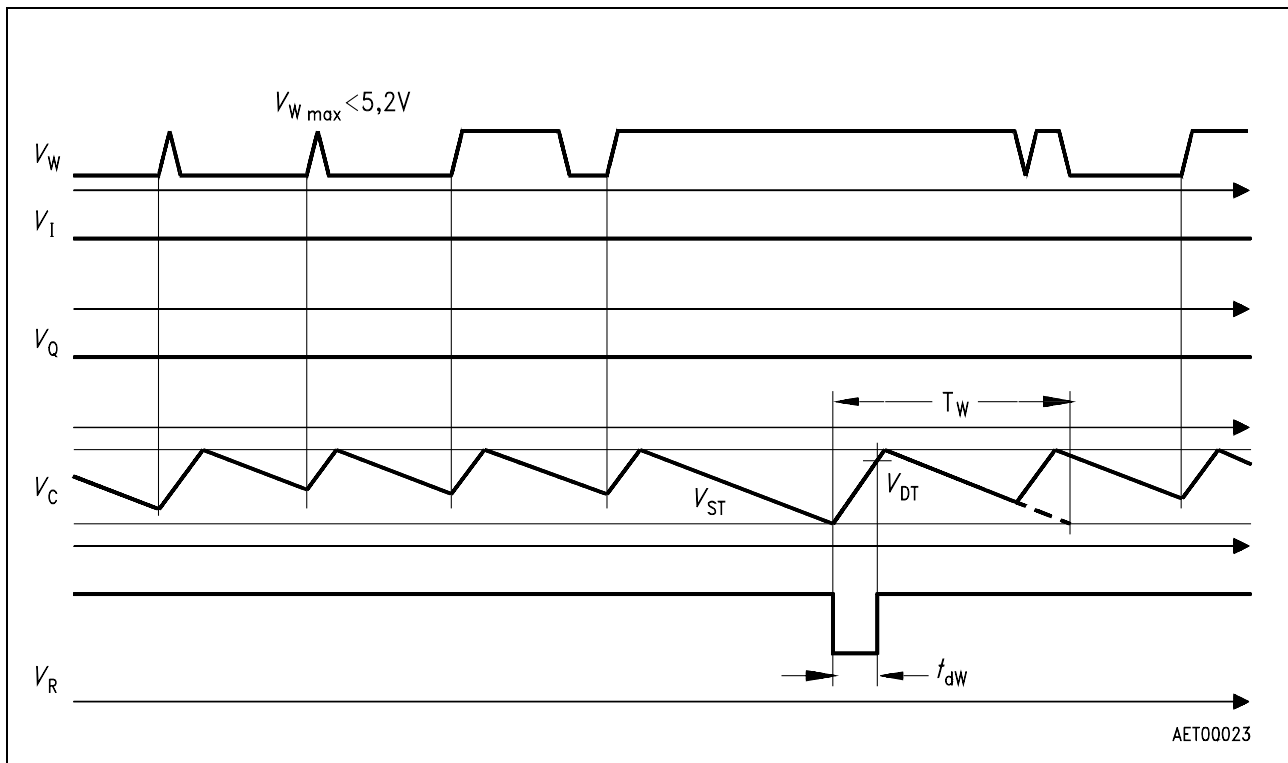
Turn-Off voltage	V_{IOFF}	41	43	45	V	$I_Q < 1 \text{ mA}$
Turn-Off hysteresis	ΔV_I	–	6.5	–	V	–
Leakage current	I_{QS}	–	–	50	μA	$V_Q = 0 \text{ V}$; $V_1 = 45 \text{ V}$
Reverse output current	I_{QR}	–	–	1.5	mA	$V_Q = 5 \text{ V}$; V_1 and V_2 open



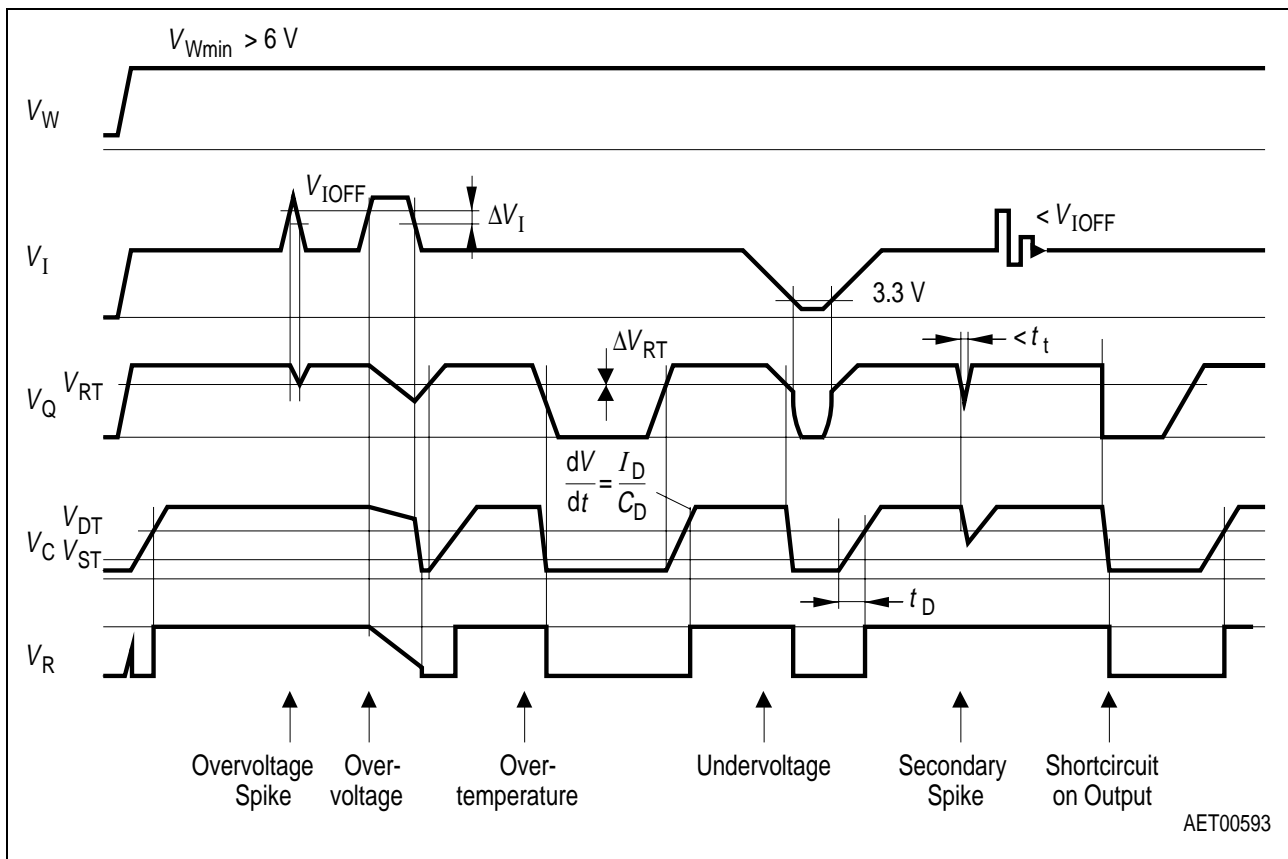
Application Circuit



Test Circuit

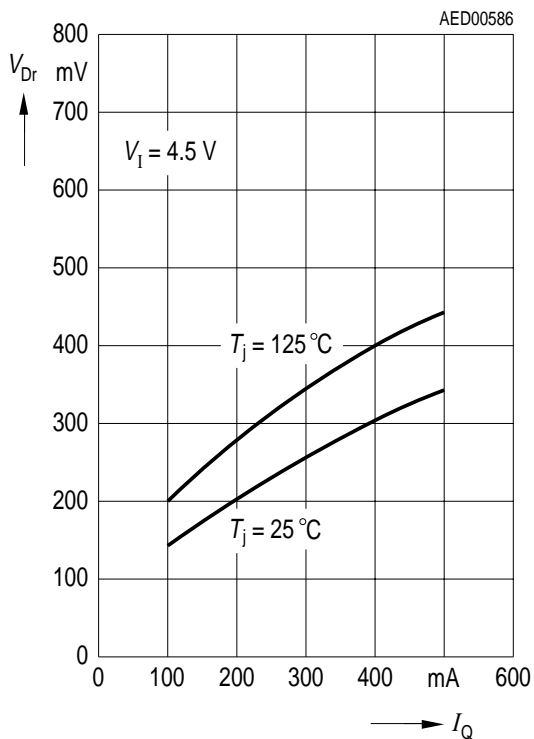


Time Response in Watchdog Condition

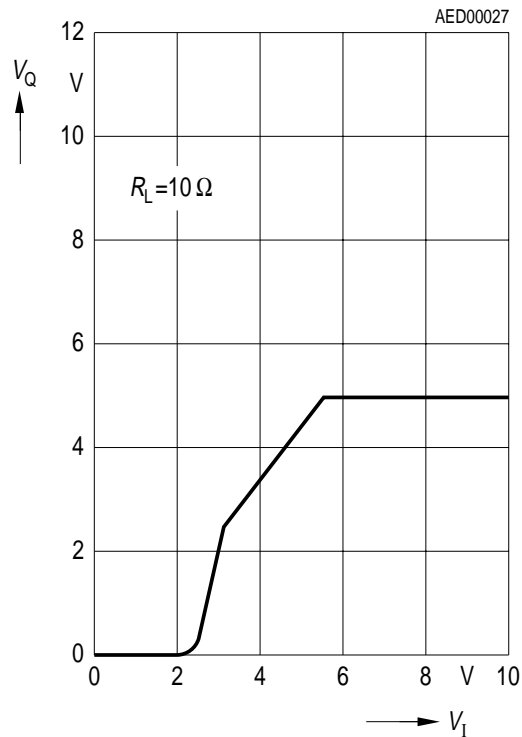


Timing with Watchdog OFF

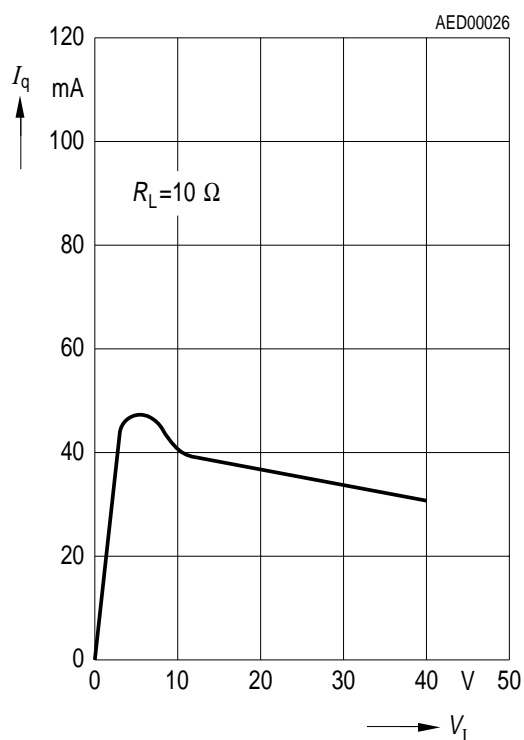
Drop Voltage versus Output Current



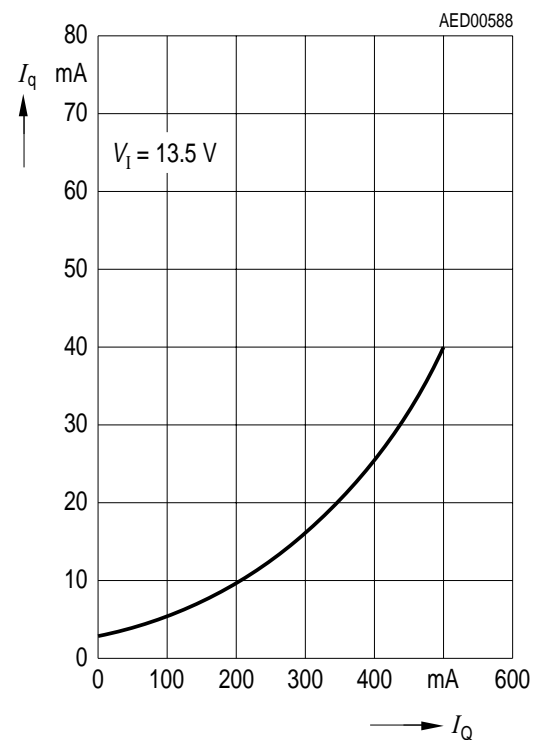
Output Voltage versus Input Voltage



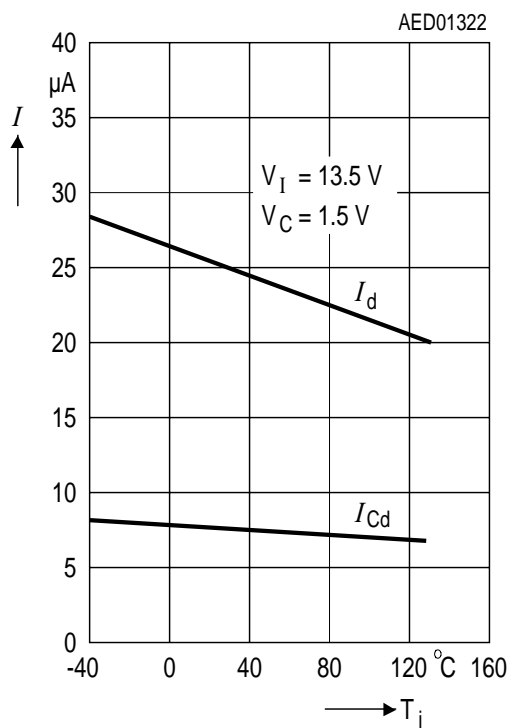
Current Consumption versus Input Voltage



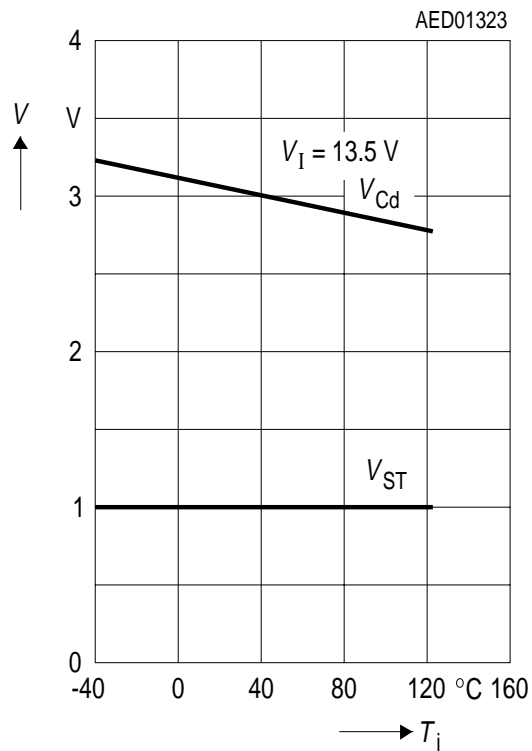
Current Consumption versus Output Current



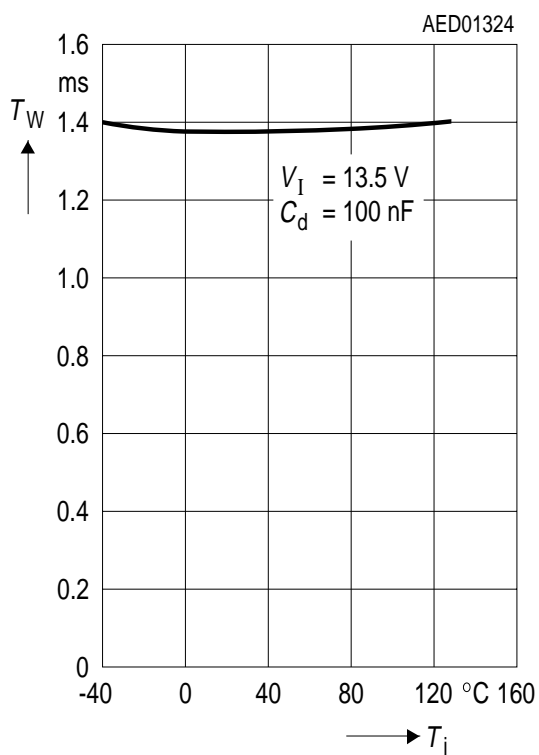
Charge Current I_D and Discharge Current I_{CD} versus Temperature



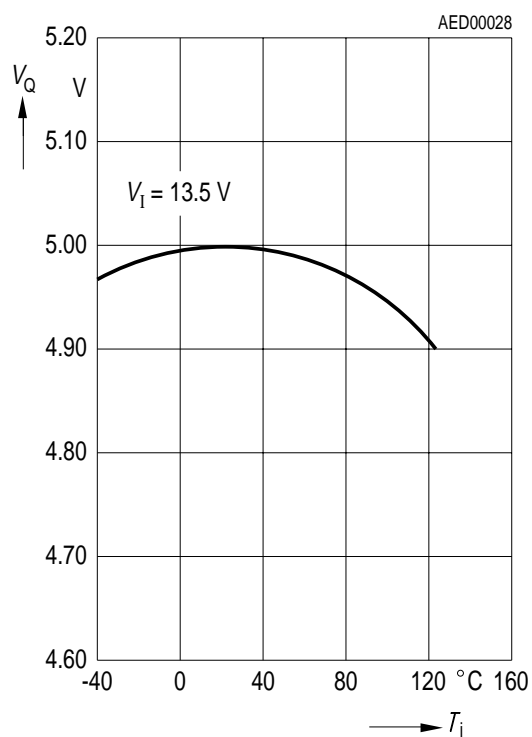
Switching Voltage V_{CD} and V_{ST} versus Temperature



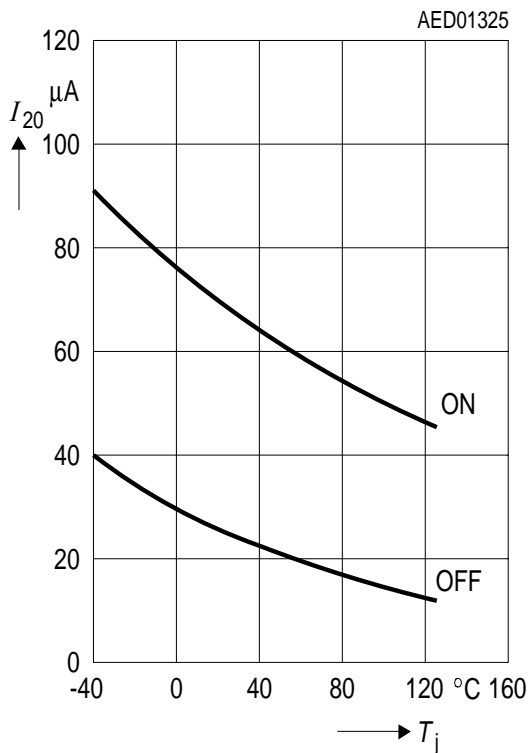
Pulse Interval T_W versus Temperature



Output Voltage versus Temperature



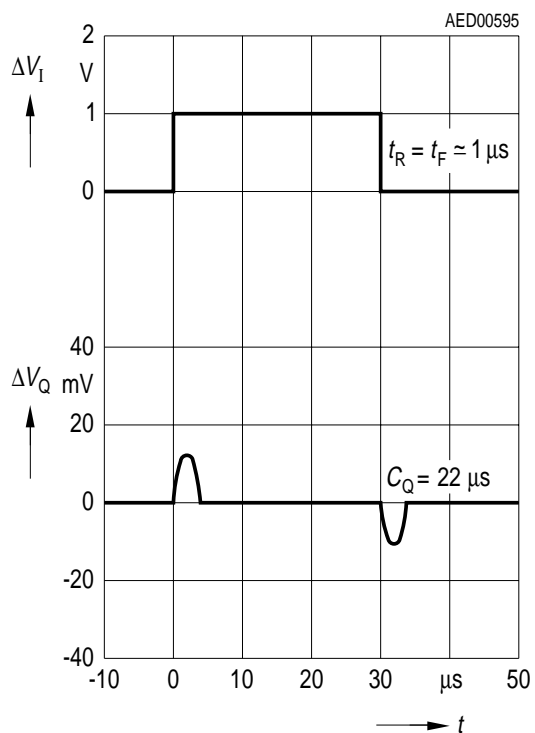
Current Consumption of Inhibit at the Switching Point versus Temperature



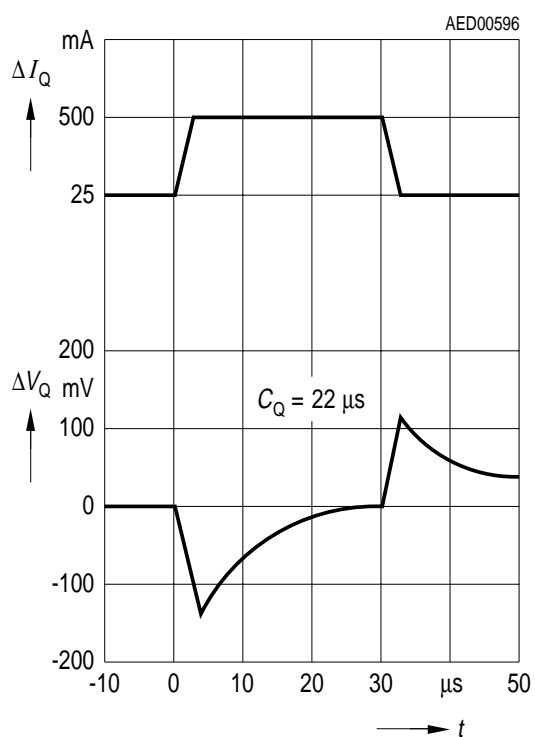
Output Current versus Input Voltage



Input Step Response



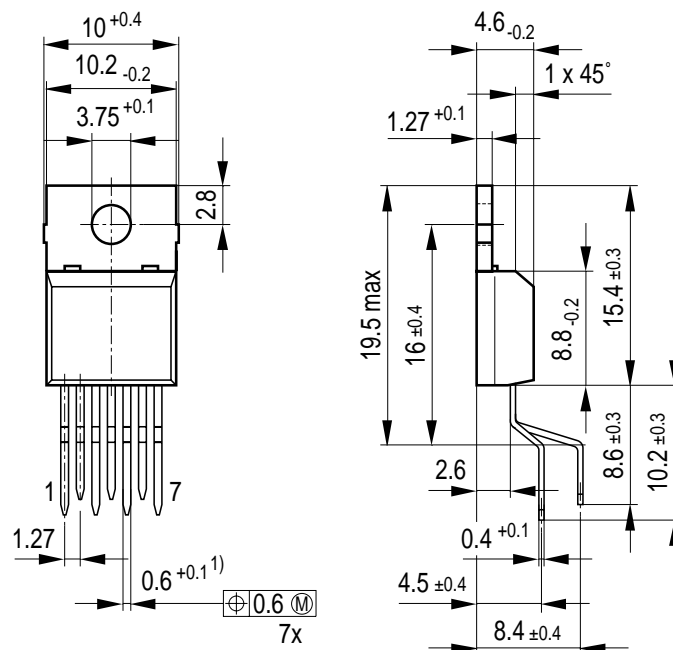
Load Step Response



Package Outlines

P-TO220-7-1

(Plastic Transistor Single Outline)



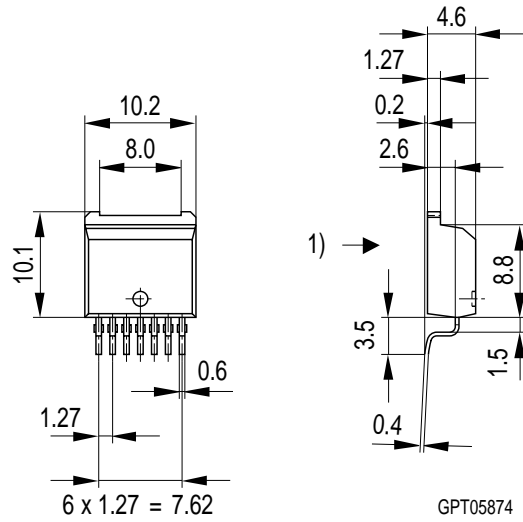
- 1) $0.75_{-0.15}$ at dam bar (max 1.8 from body)
 - 1) $0.75_{-0.15}$ im Dichtstegbereich (max 1.8 vom Körper)
- GPT05108

Sorts of Packing

Package outlines for tubes, trays etc. are contained in our Data Book "Package Information".

Dimensions in mm

P-TO220-7-8
(Plastic Transistor Single Outline)



1) shear and punch direction burr free surface

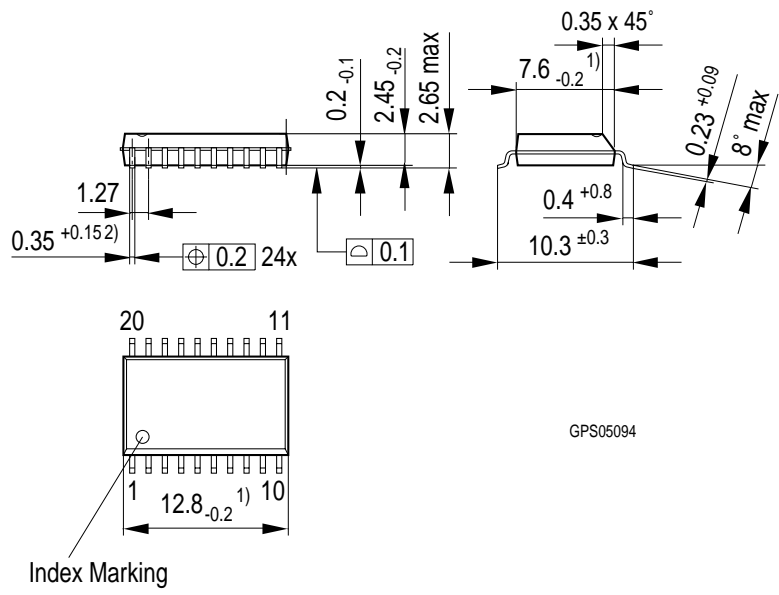
Sorts of Packing

Package outlines for tubes, trays etc. are contained in our Data Book "Package Information".

SMD = Surface Mounted Device

Dimensions in mm

P-DSO-20-6
(Plastic Dual Small Outline)



- 1) Does not include plastic or metal protrusions of 0.15 max per side
- 2) Does not include dambar protrusion of 0.05 max per side

Sorts of Packing

Package outlines for tubes, trays etc. are contained in our Data Book "Package Information".

SMD = Surface Mounted Device

Dimensions in mm