

6. Schematic Diagrams

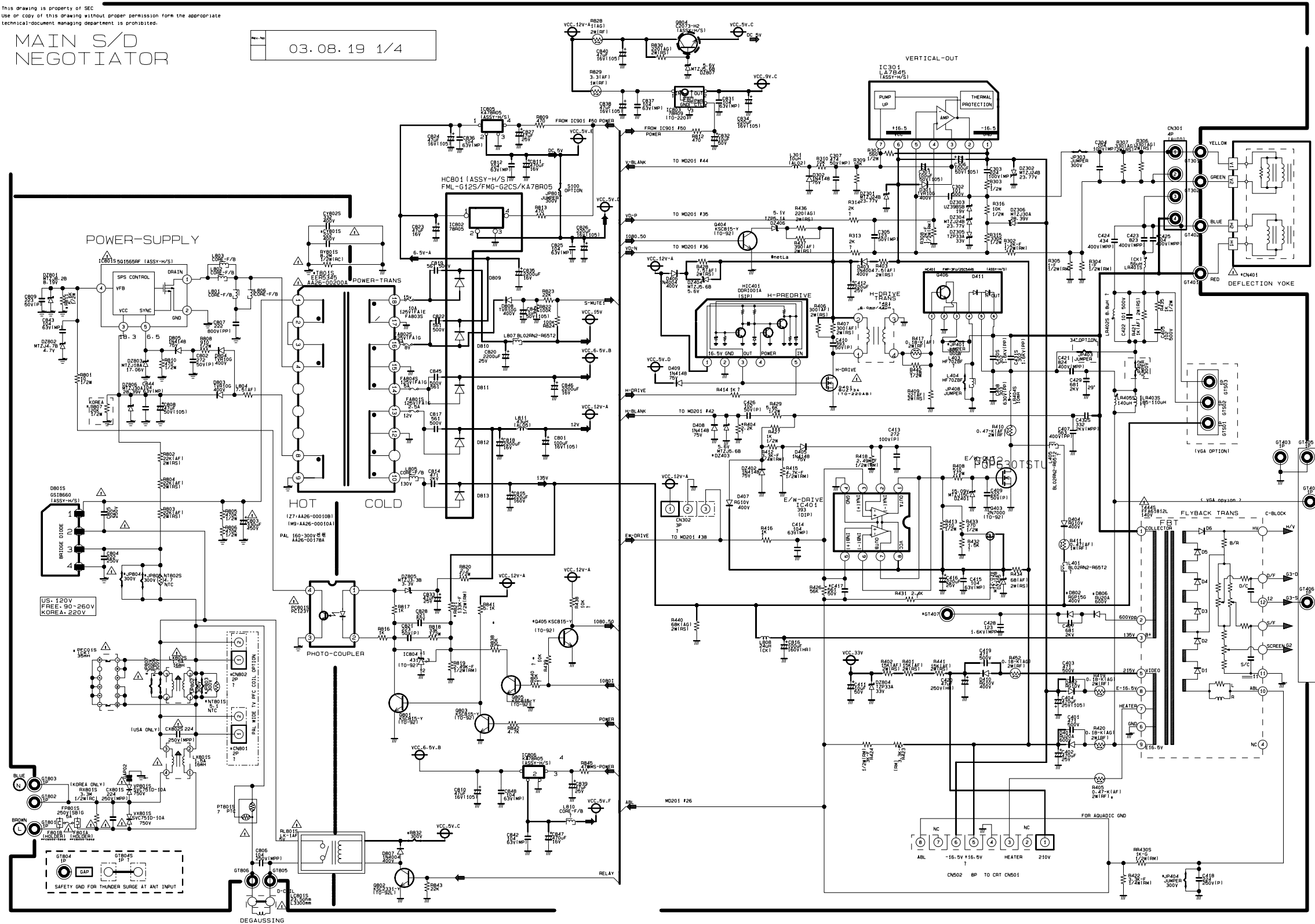
6-1 MAIN 1

This Document can not be used without Samsung's authorization.

This drawing is property of SEC
Use or copy of this drawing without proper permission from the appropriate
technical-document managing department is prohibited.

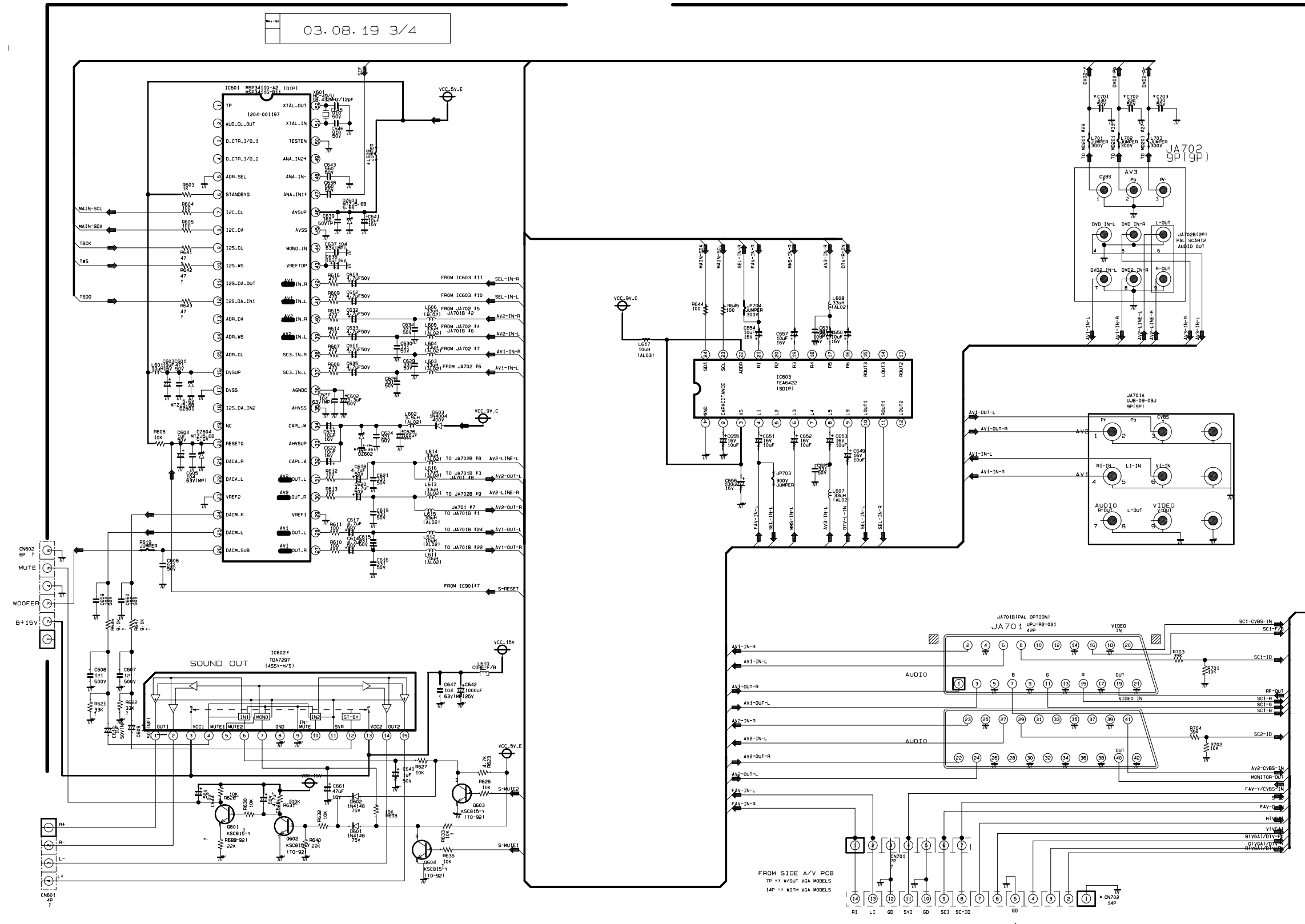
MAIN S/D NEGOTIATOR

03.08.19 1/4



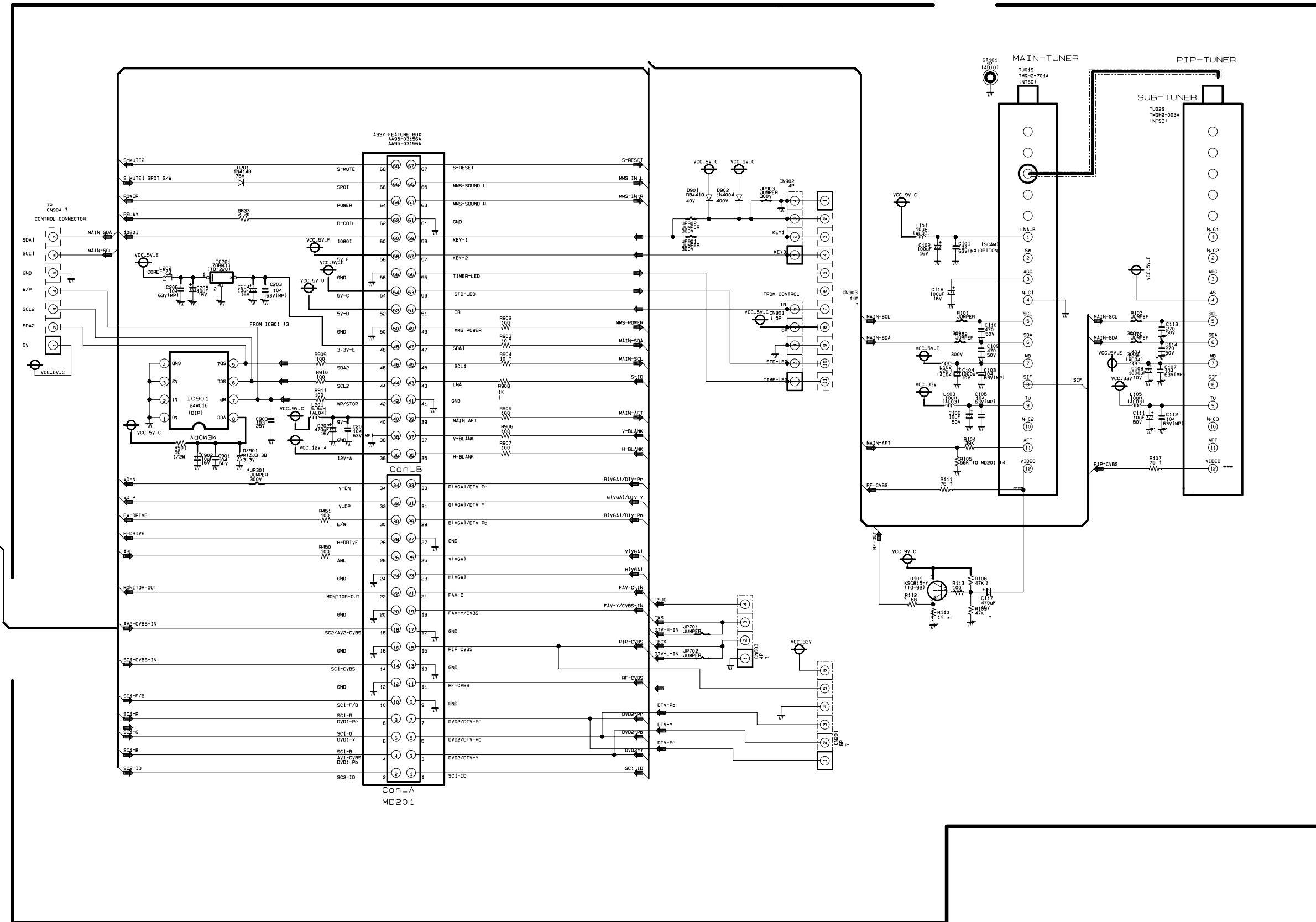
6-2 MAIN 2

This Document can not be used without Samsung's authorization.



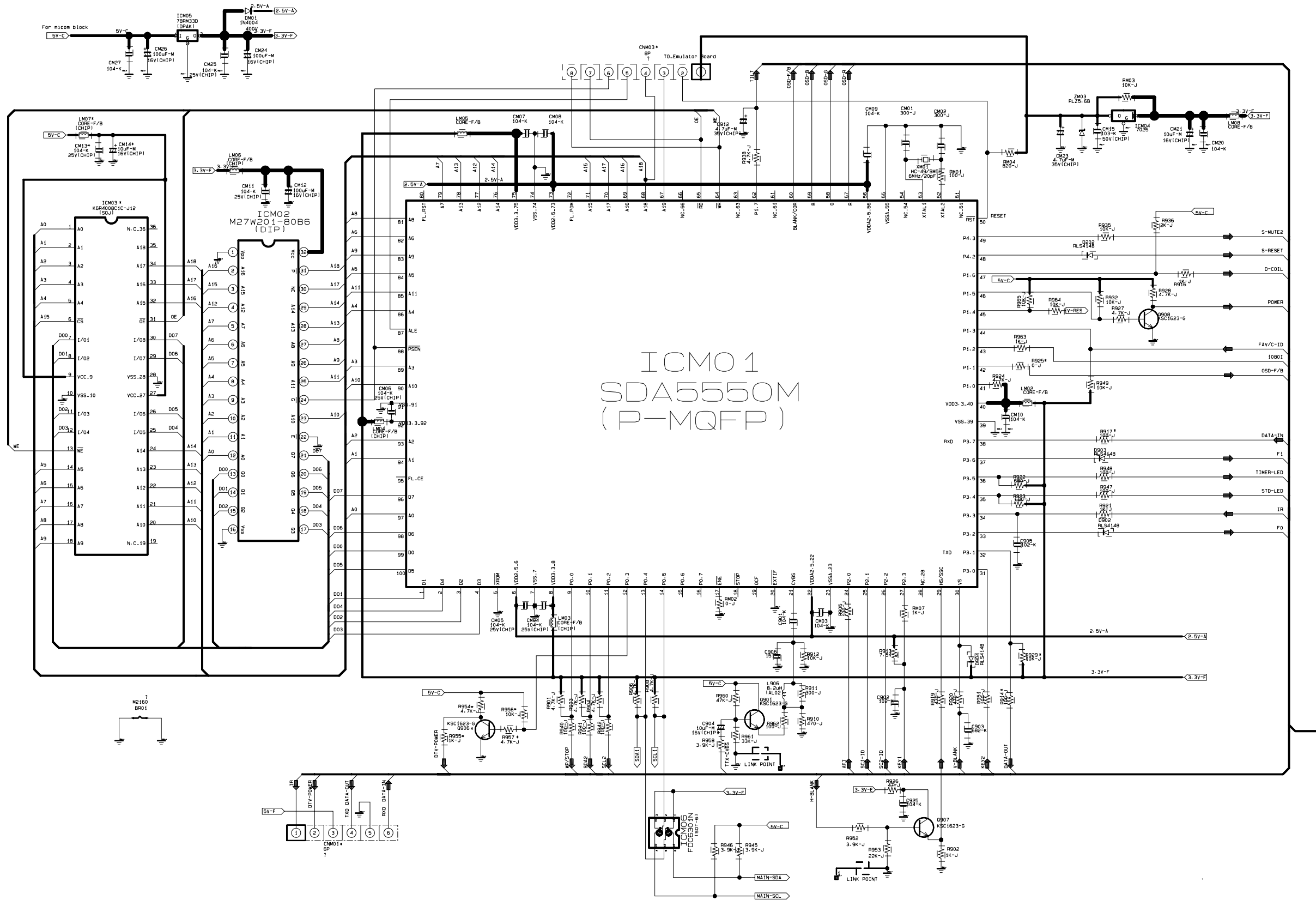
6-3 MAIN 3

This Document can not be used without Samsung's authorization.



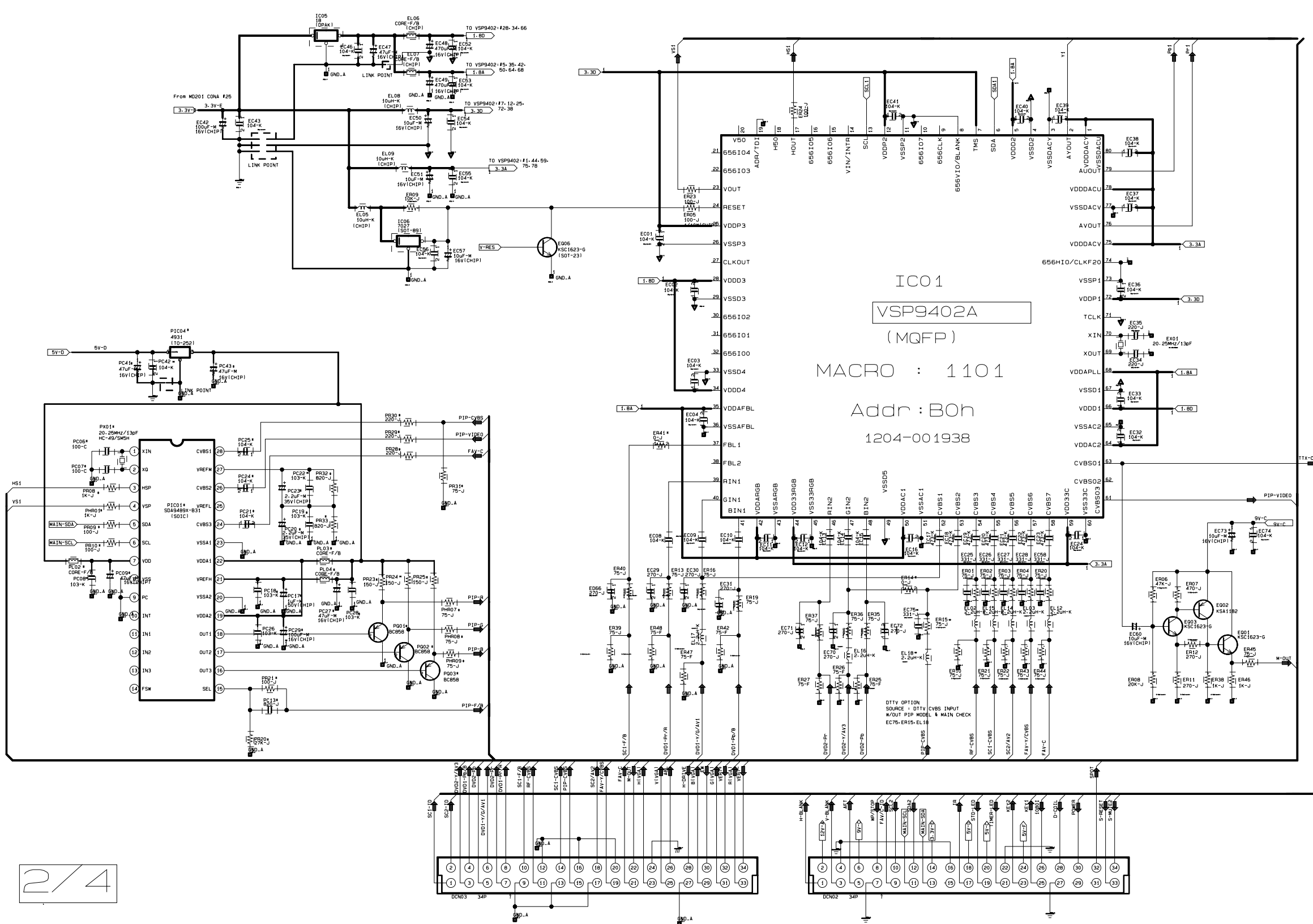
6-4 F-BOX 1

This Document can not be used without Samsung's authorization.



6-5 F-BOX 2

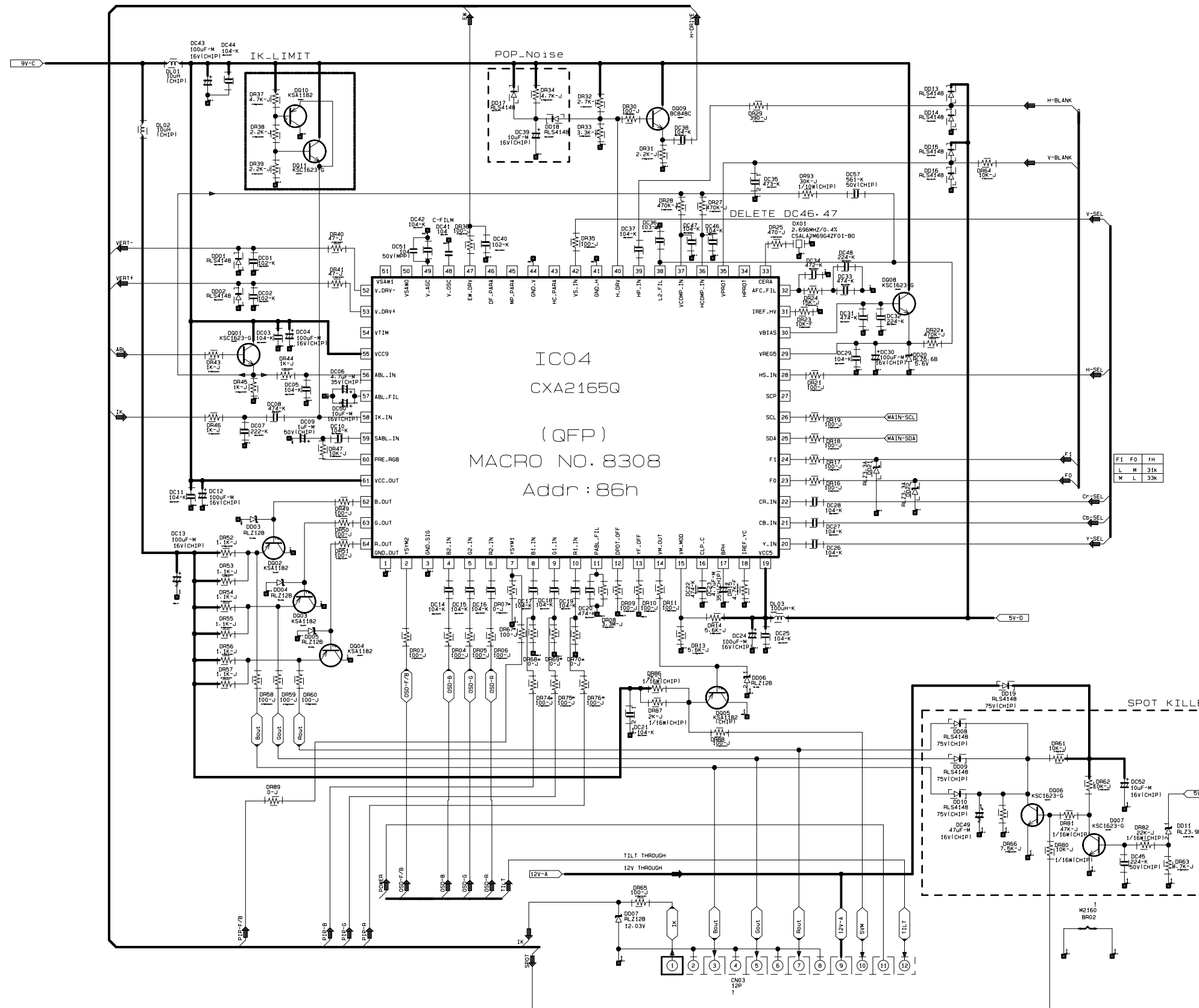
This Document can not be used without Samsung's authorization.



2/4

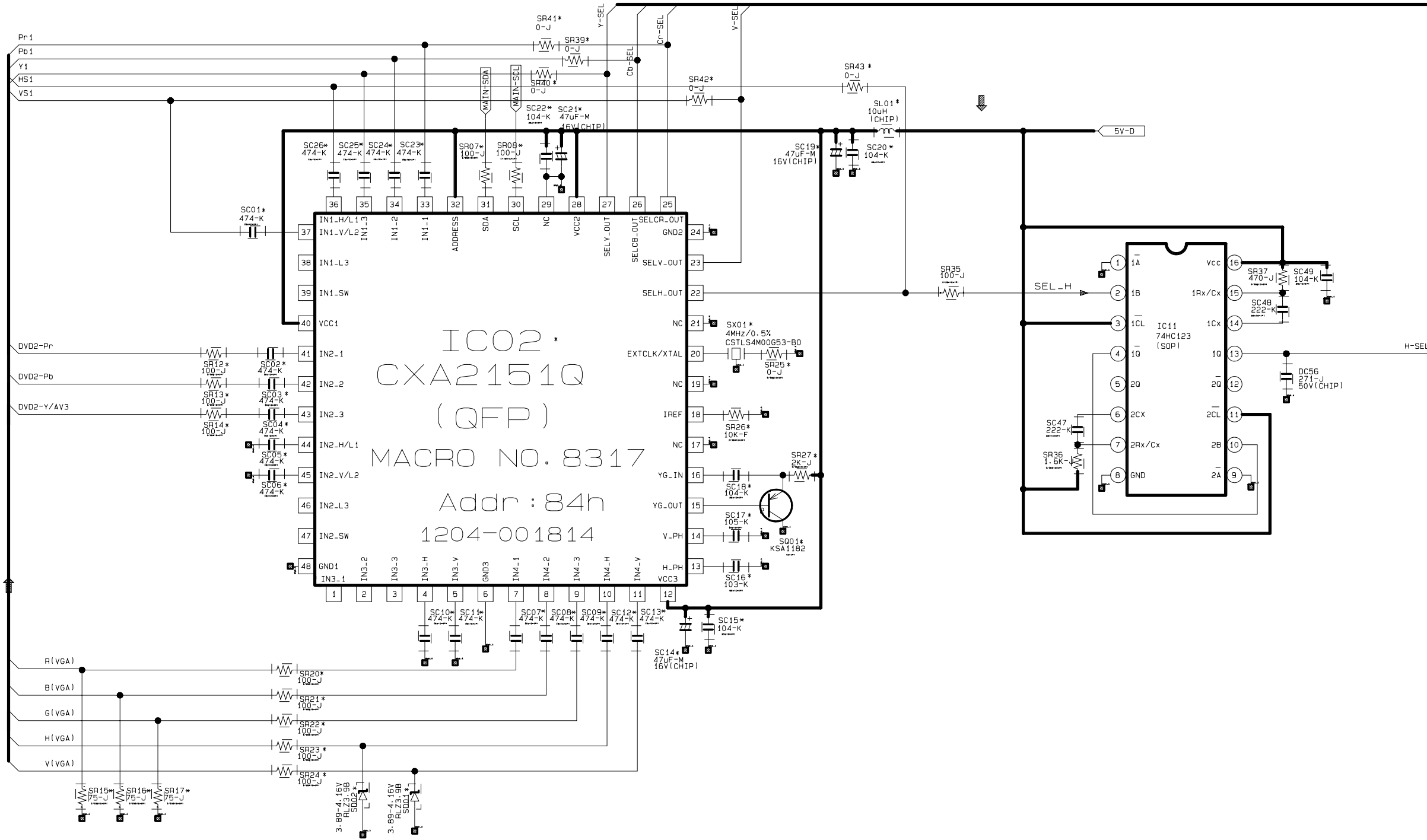
6-6 F-BOX 3

This Document can not be used without Samsung's authorization.



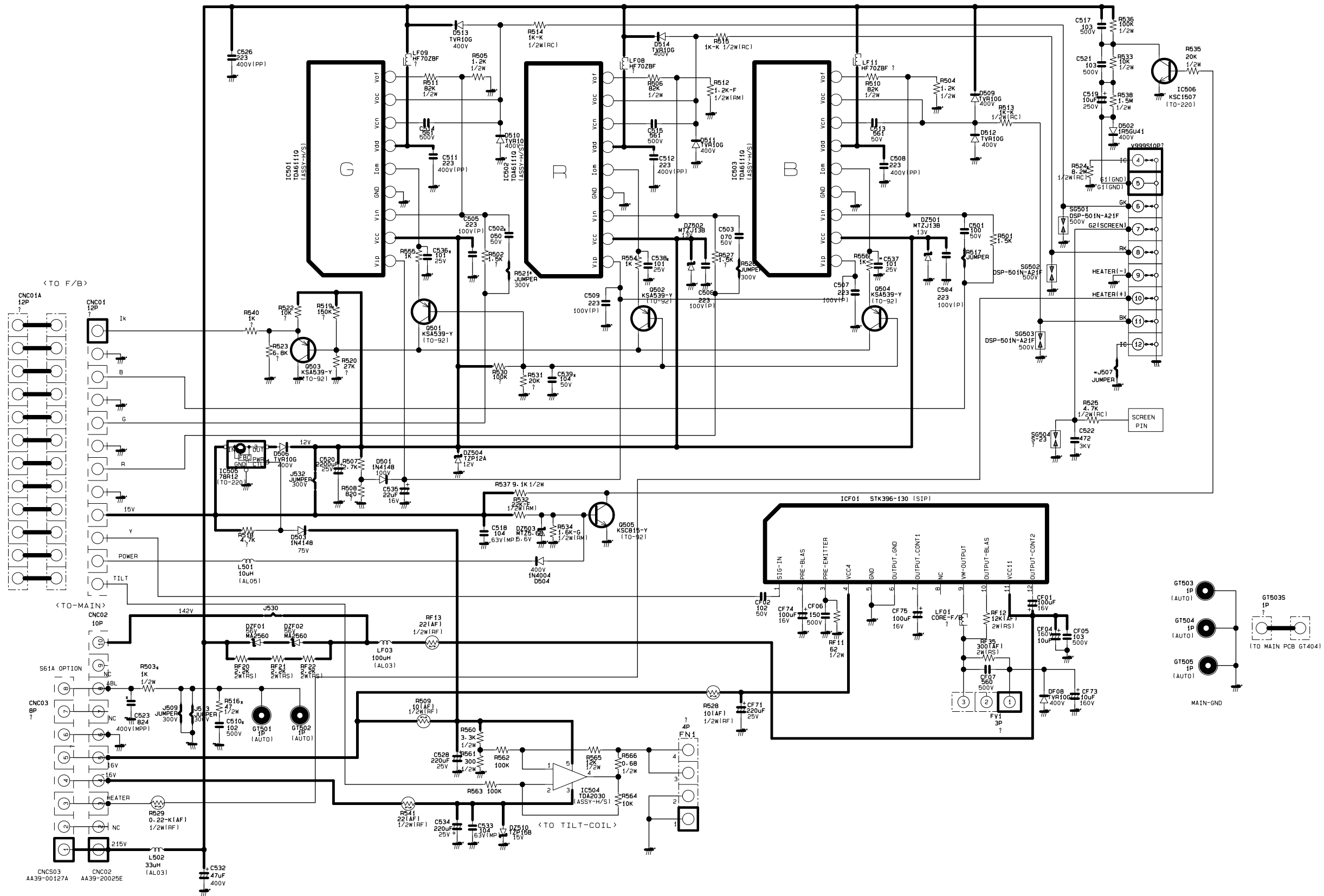
6-7 F-BOX 4

This Document can not be used without Samsung's authorization.



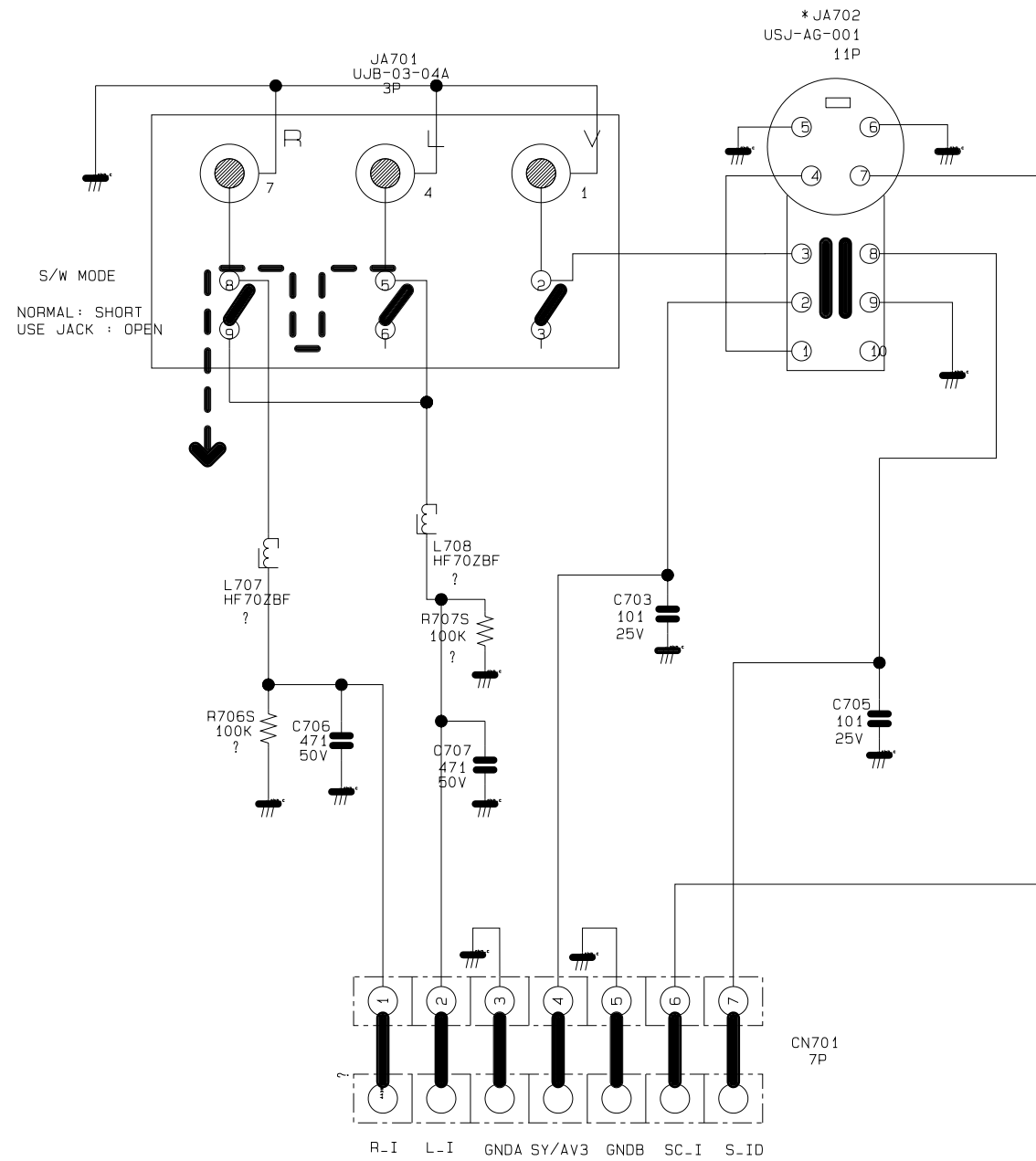
6-8 CRT

This Document can not be used without Samsung's authorization.



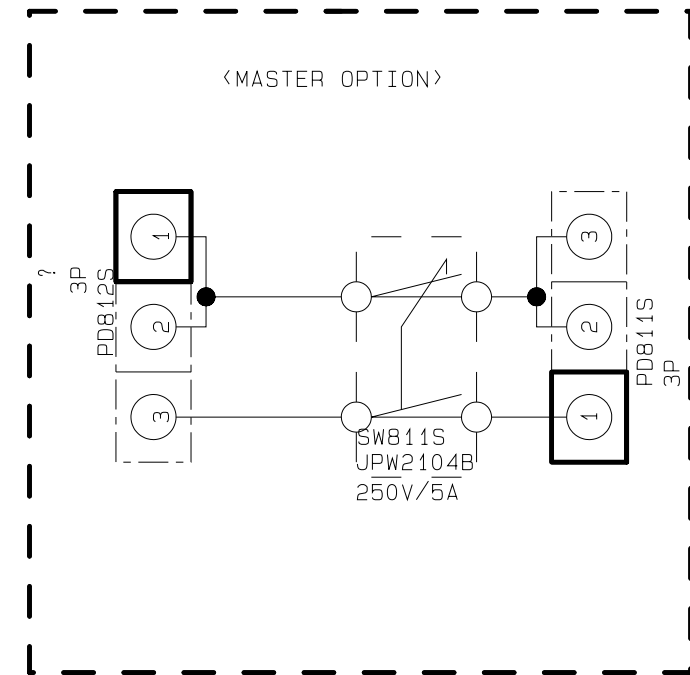
6-9 SIDE A/V

This Document can not be used without Samsung's authorization.



6-10 MASTER

This Document can not be used without Samsung's authorization.



6-11 CONTROL

This Document can not be used without Samsung's authorization.

