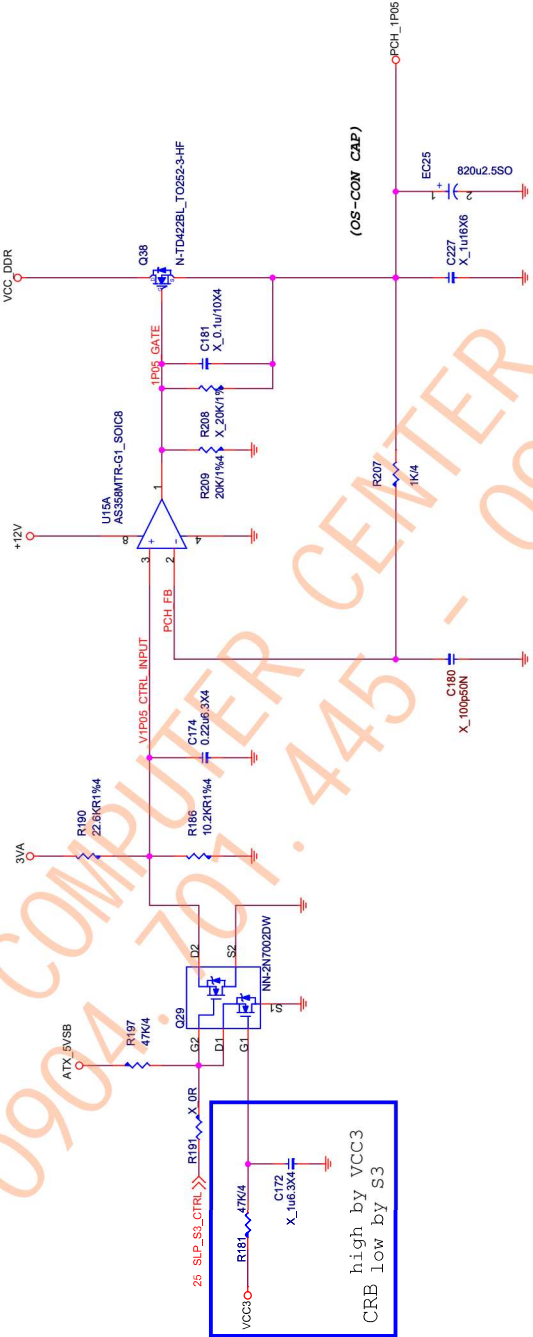
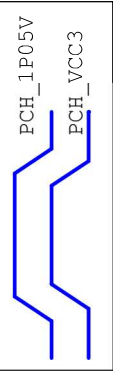
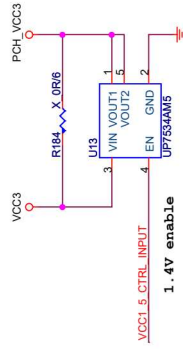


PCH Power: 1.05V 5.747A

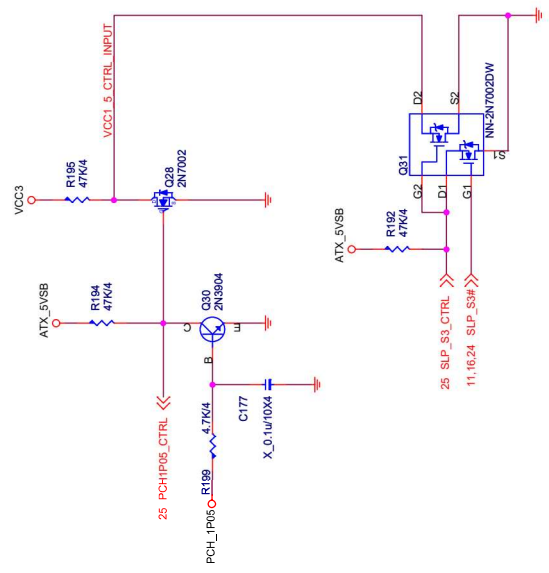


high by VCC3
CRB low by S3

0.133A



PCH Power: 1.5V 0.183A



VCC1_5_CTRL_INPUT:
0: 1P05V low or S3 low
1: 1P05V HIGH and S3 HIGH

