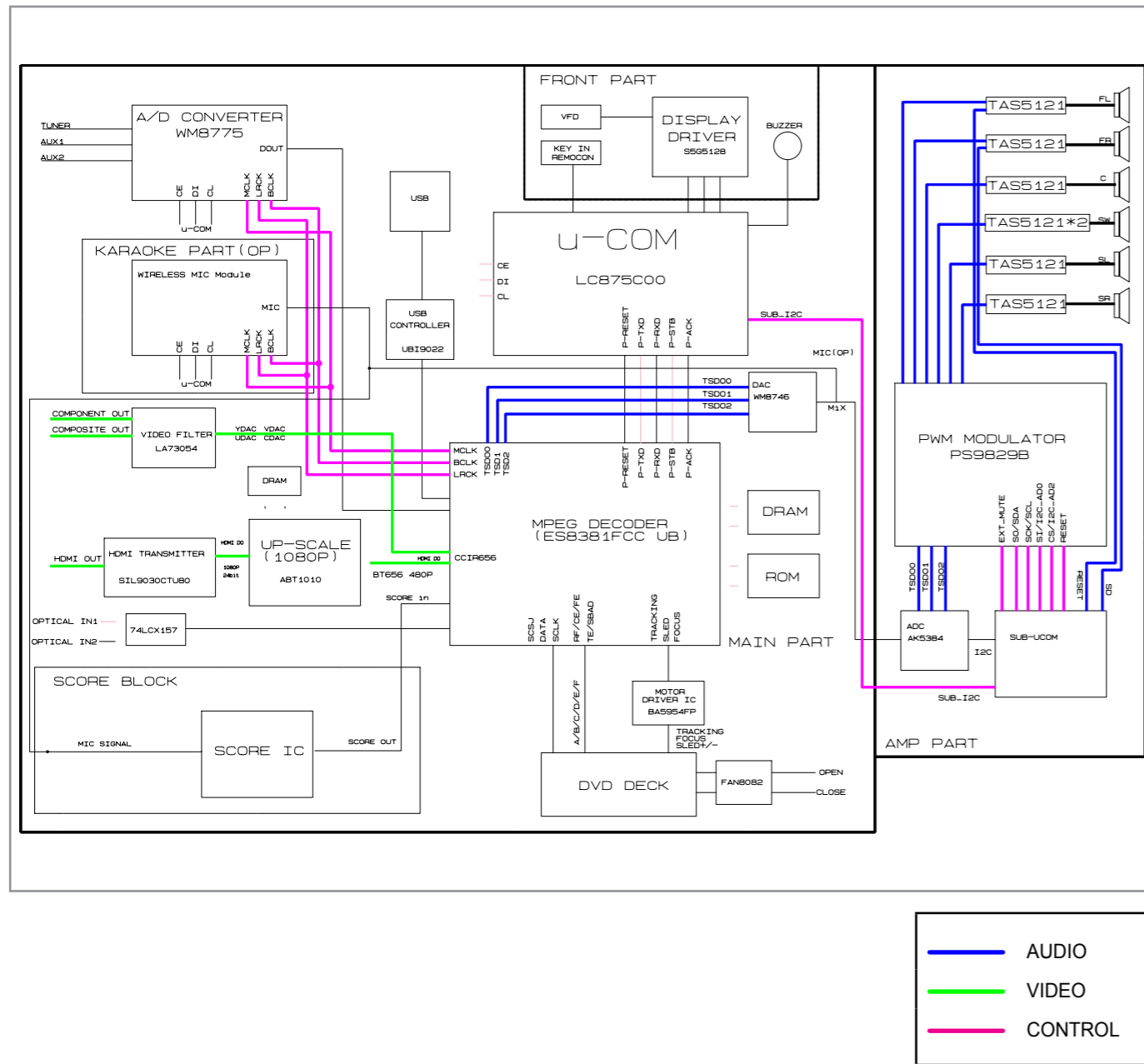

7. Schematic Diagram

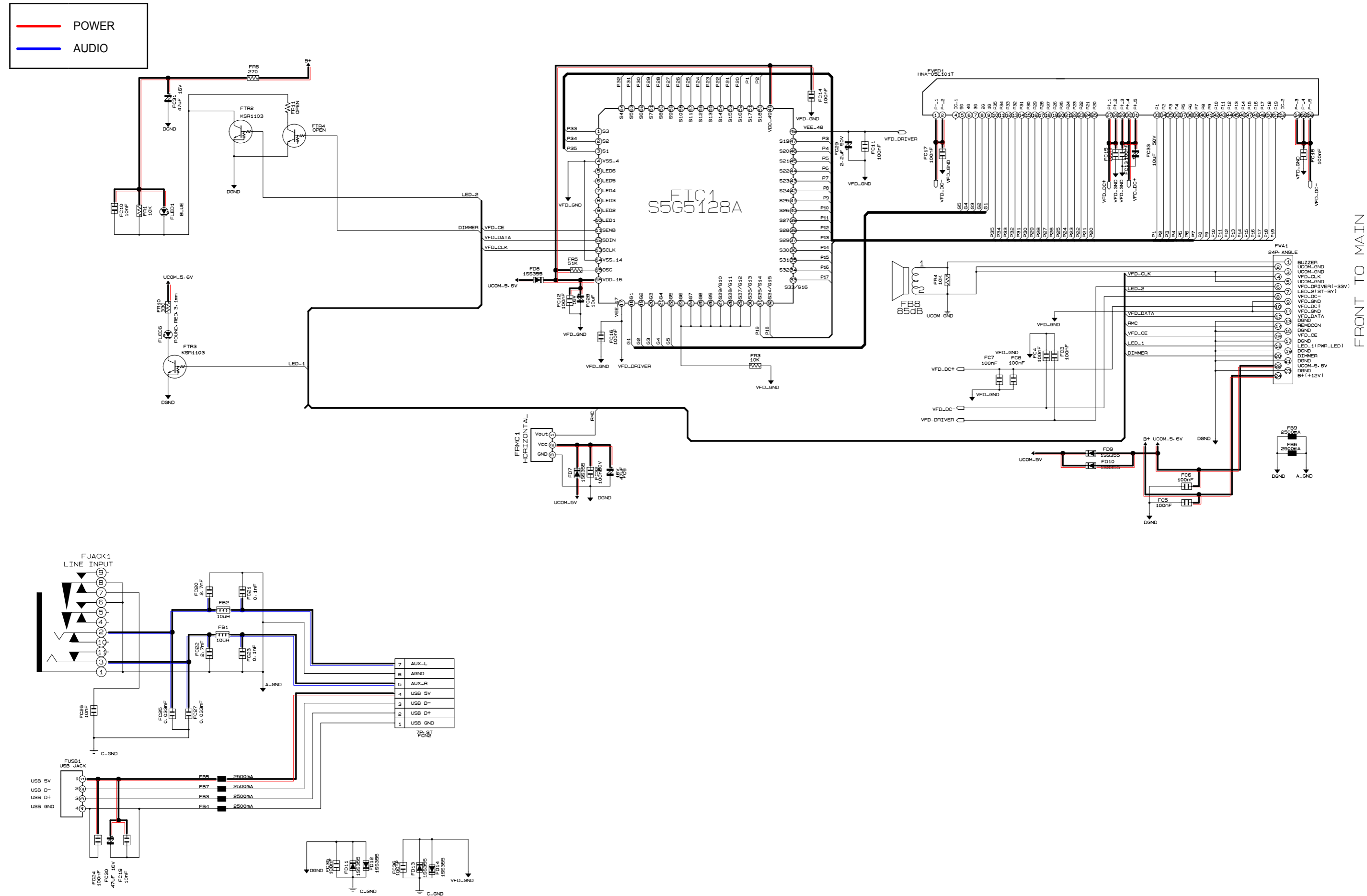
7-1 Overall Block Diagram.....	7-2
7-2 FRONT.....	7-3
7-3 AMP	7-4
7-4 MPEG/MAIN	7-5
7-5 MICOM/MAIN	7-6
7-6 HDMI/MAIN.....	7-7
7-7 KARAOKE, DAC/MAIN.....	7-8
7-8 SUBAMP.....	7-9
7-9 FUNCT, VIDEO, DIN/MAIN.....	7-10
7-10 SMPS, TOUCH PAD/MAIN.....	7-11
7-11 MAIN SMPS ASSY	7-12
7-12 SUB WOOFER SMPS ASSY	7-13

7-1 Overall Block Diagram



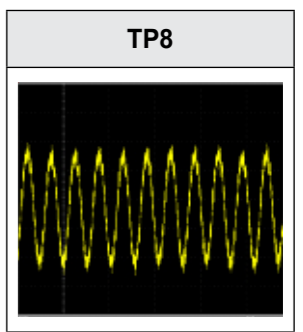
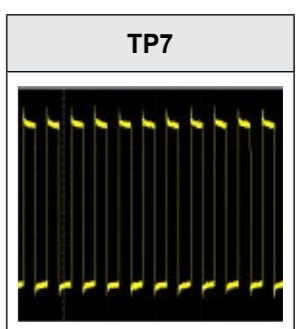
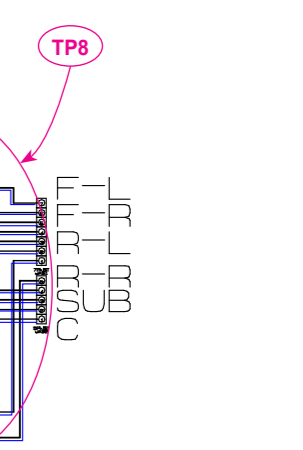
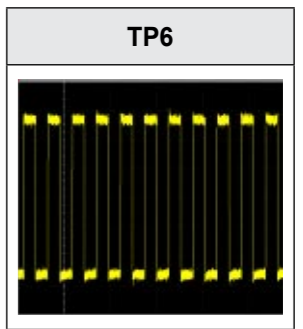
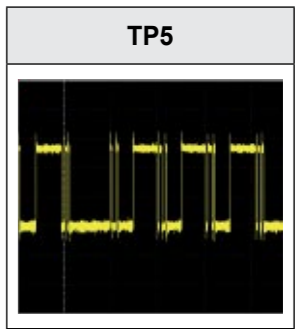
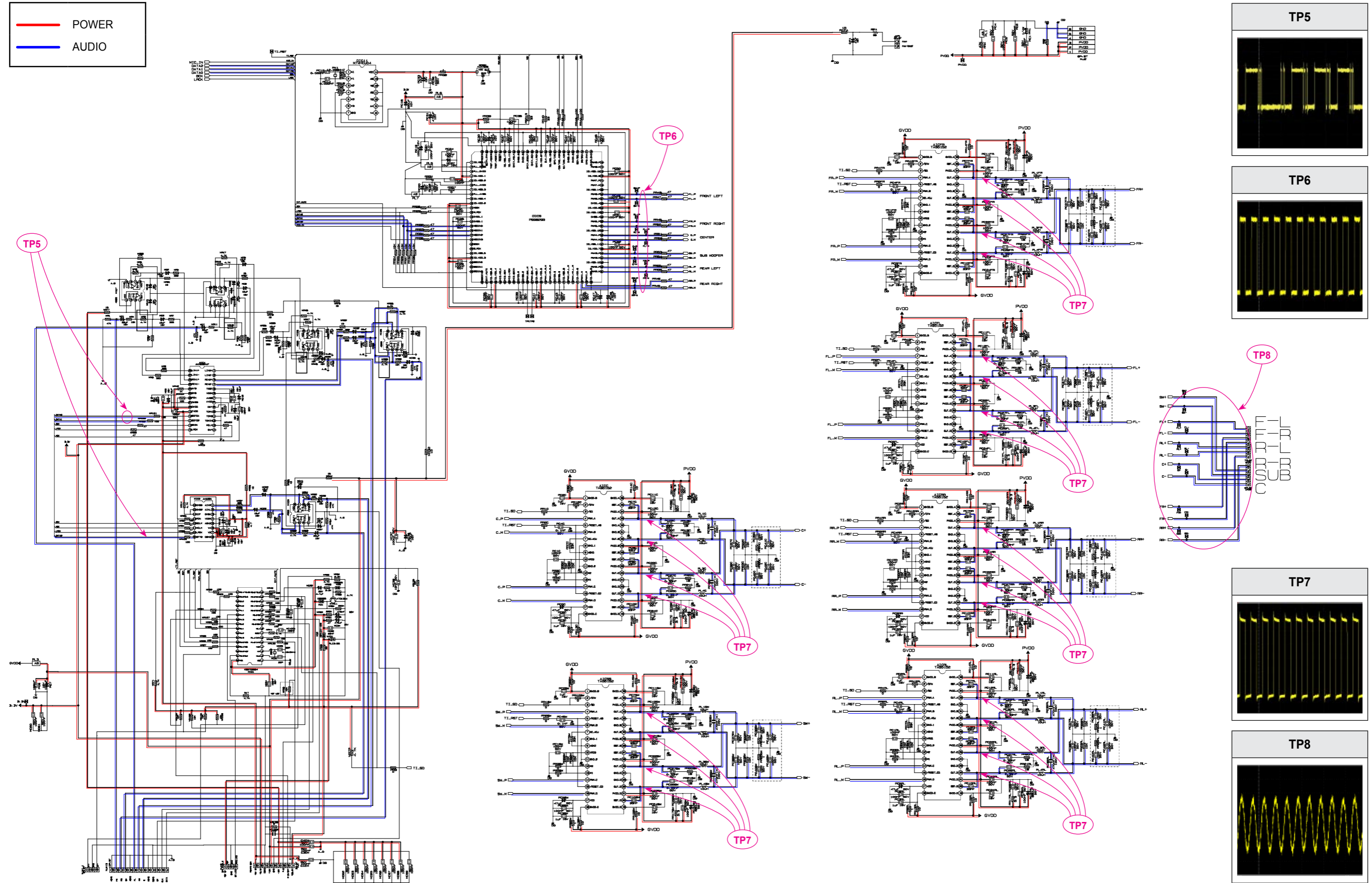
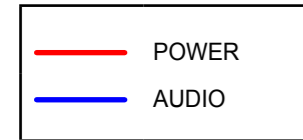
- The Main System uses the MPEG(ES 8381), the Up_scaler(FLI2301) and the Tx(Sil9030) of HDMI. The Main System consists of major circuit blocks such as HDMI, POWER, CEC, Front, Karaoke, etc. The Main System includes the functional blocks such as FM-Tuner, Input, ADC, Sub_Micom IC, etc.
- Display is connected with VFD.
- Audio signal is transmitted through Analog 2V between the main body and the sub woofer and is input to the AMP through ADC(AK5384). First, MPEG(ES8381) receives RF signal from the PICK_UP and decodes video and audio signal.
- HDMI IC is implemented by the I2C. The Micom and MPEG control each other through RXD and TXD communication.
- The Power supplies voltages for each component using the SMPS. The Power can be switched turned on or off through the Micom port. The functions can be controlled by the Touch Key and the DPL2 functions can be controlled with the remote control.

7-2 FRONT



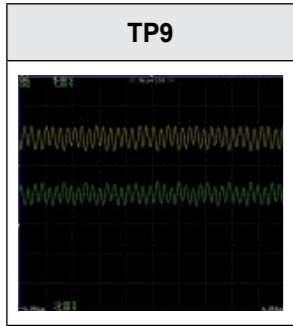
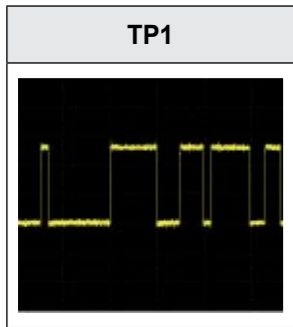
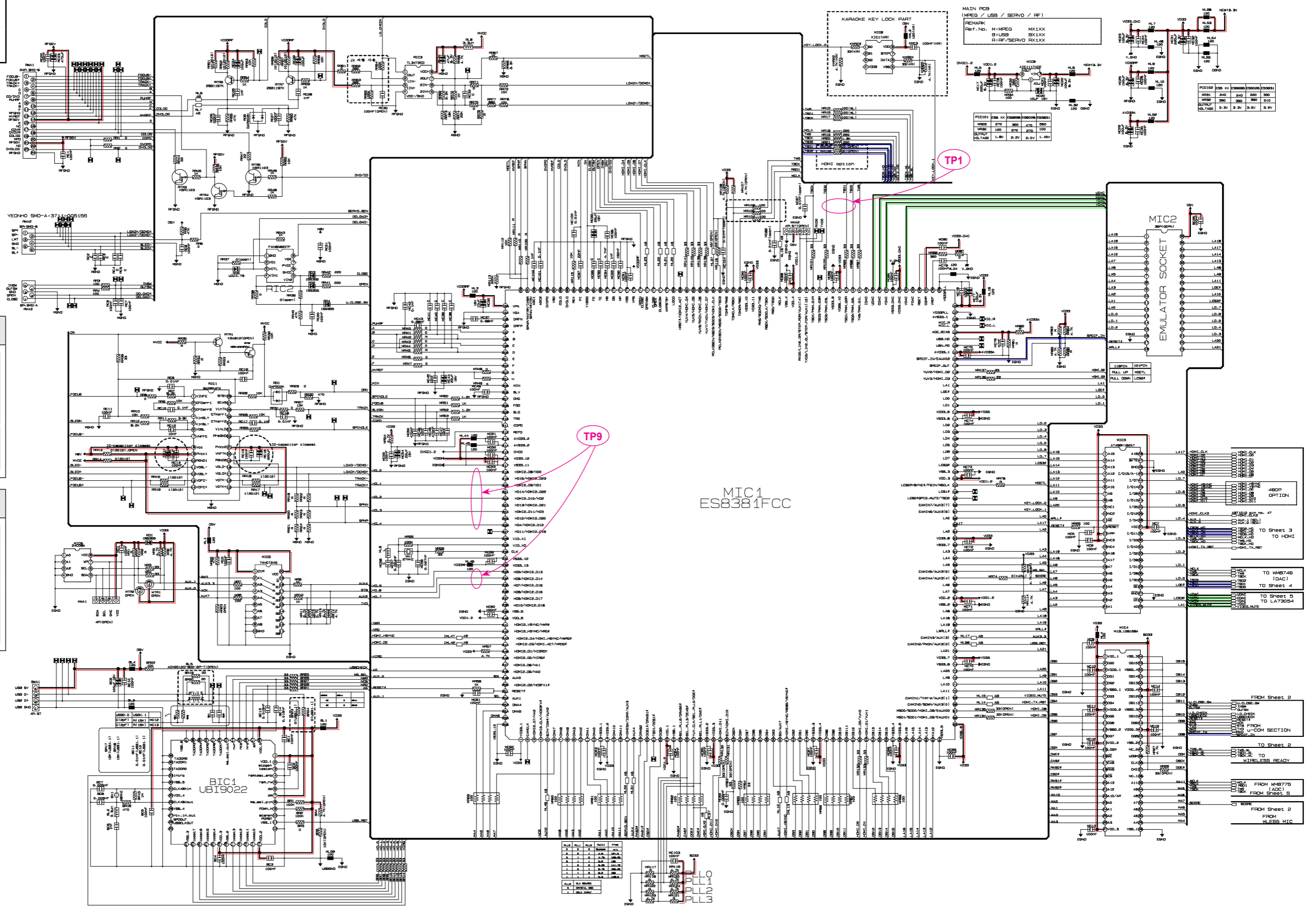
FRONT TO MAIN

7-3 AMP



7-4 MPEG/MAIN

— POWER
— AUDIO
— VIDEO



7-5 MICOM/MAIN



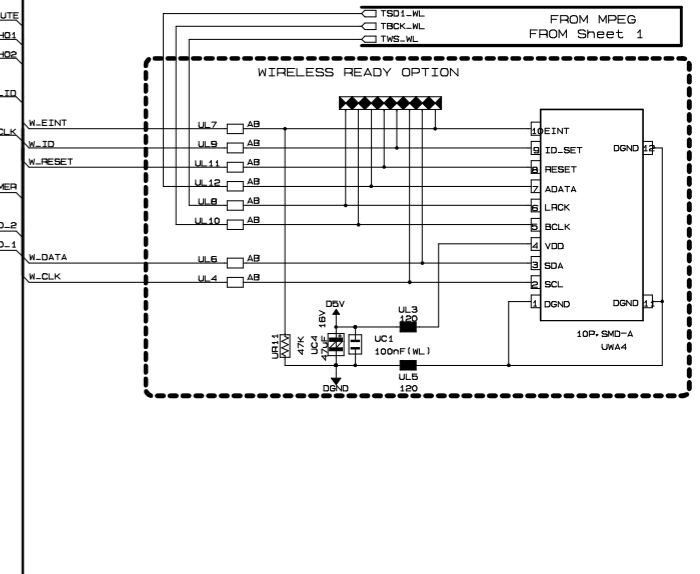
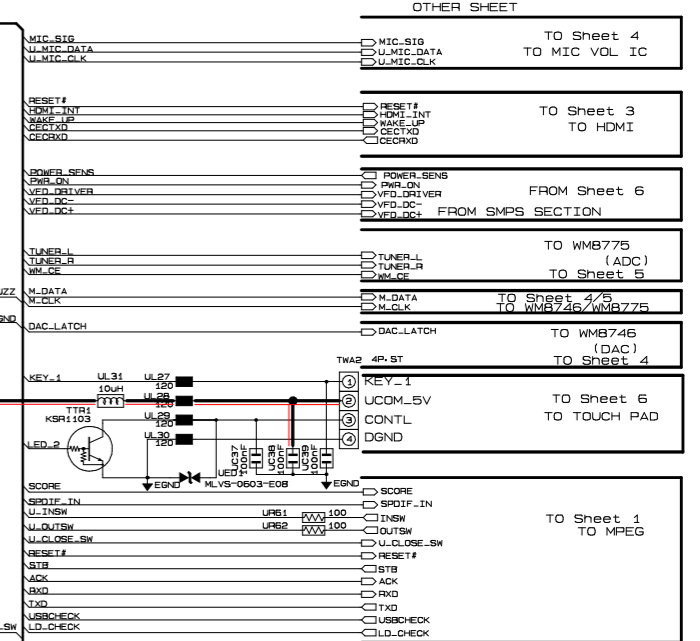
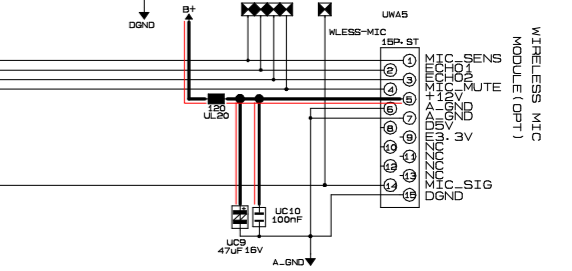
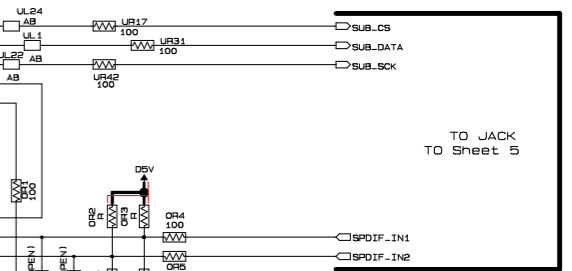
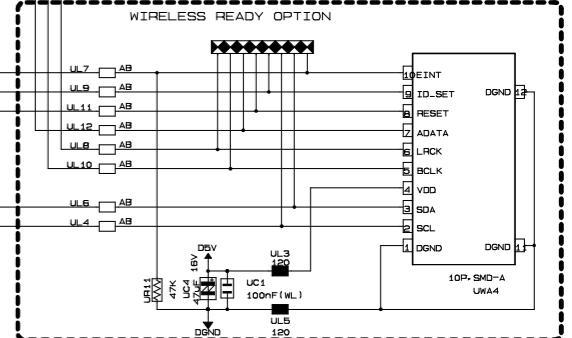
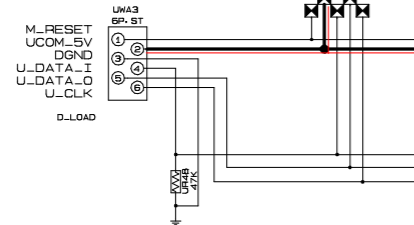
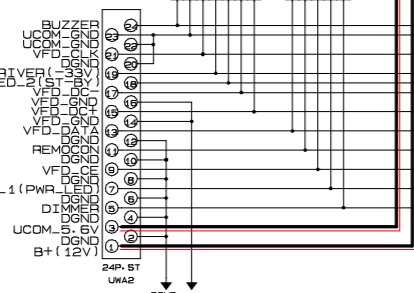
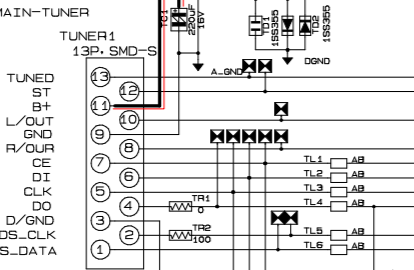
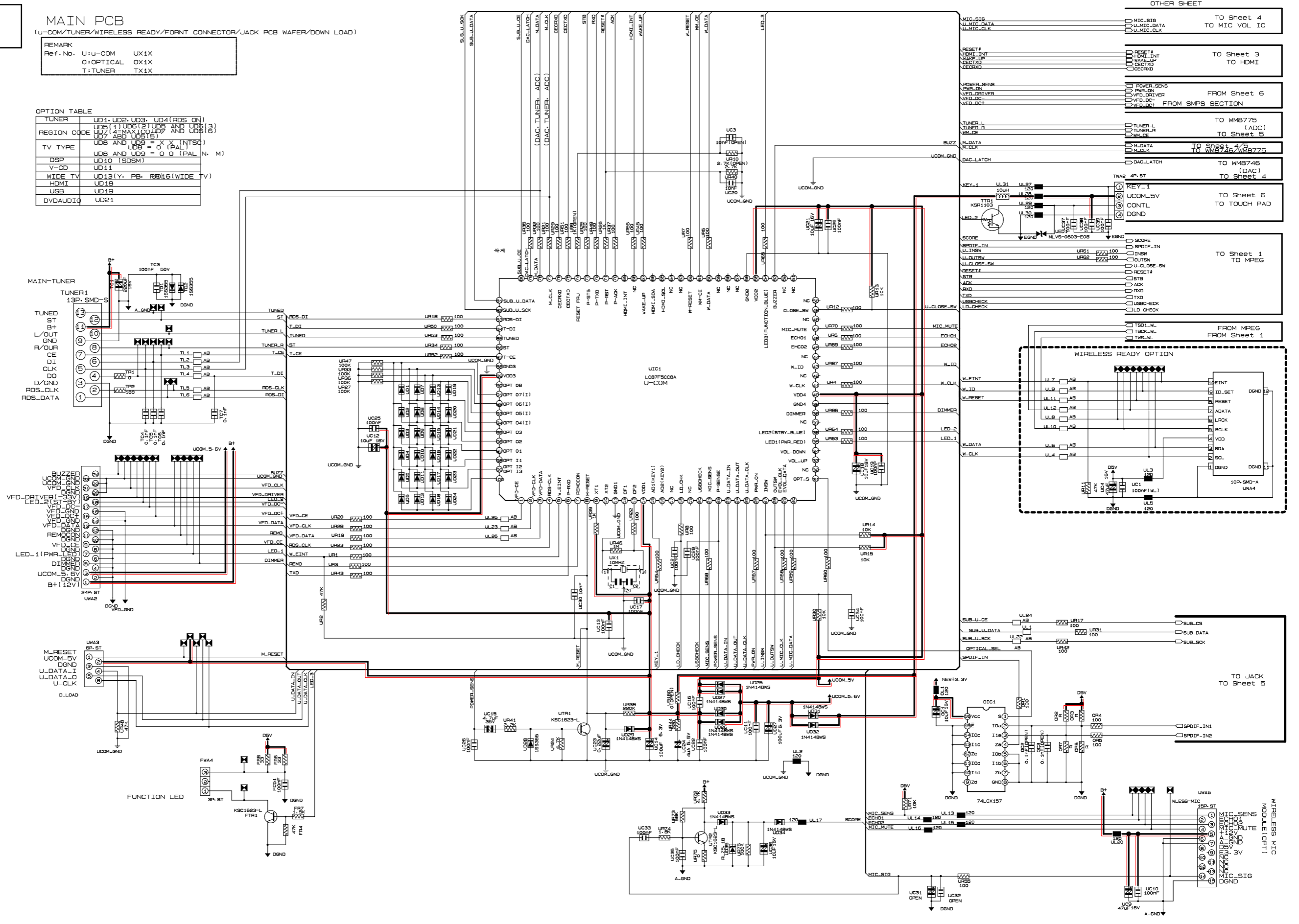
MAIN PCB
(U-COM/TUNER/WIRELESS READY/FRONT CONNECTOR/JACK PCB WAFER/DOWN LOAD)

REMARK

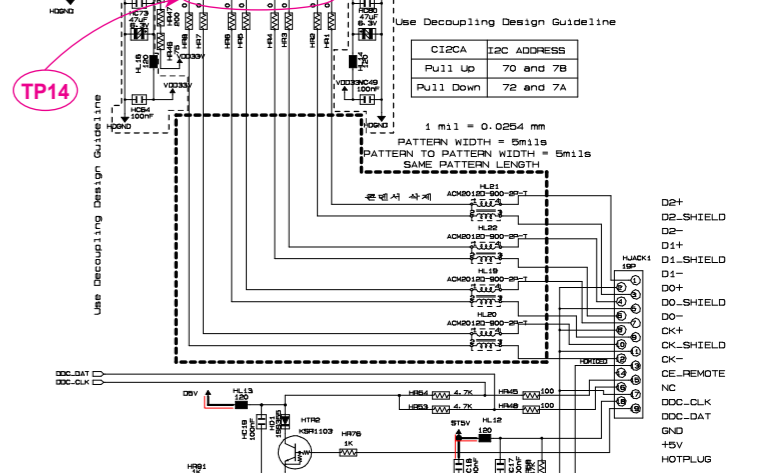
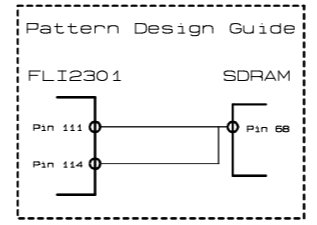
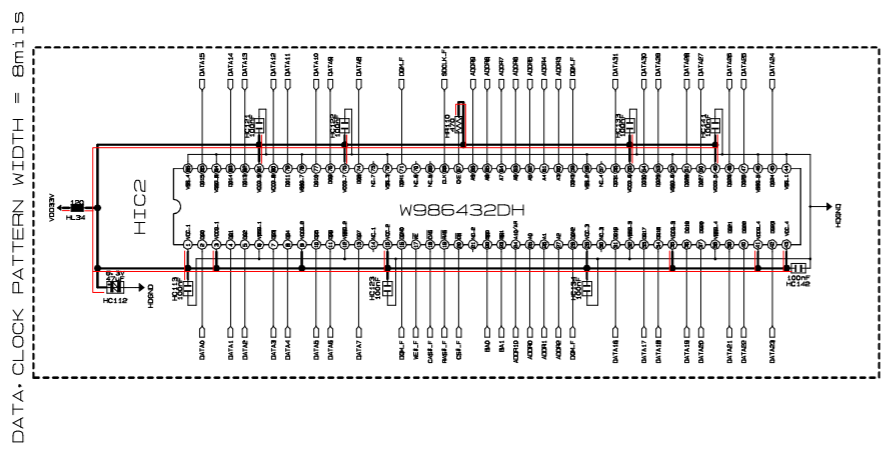
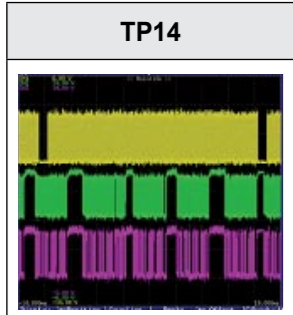
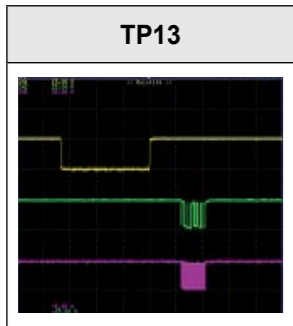
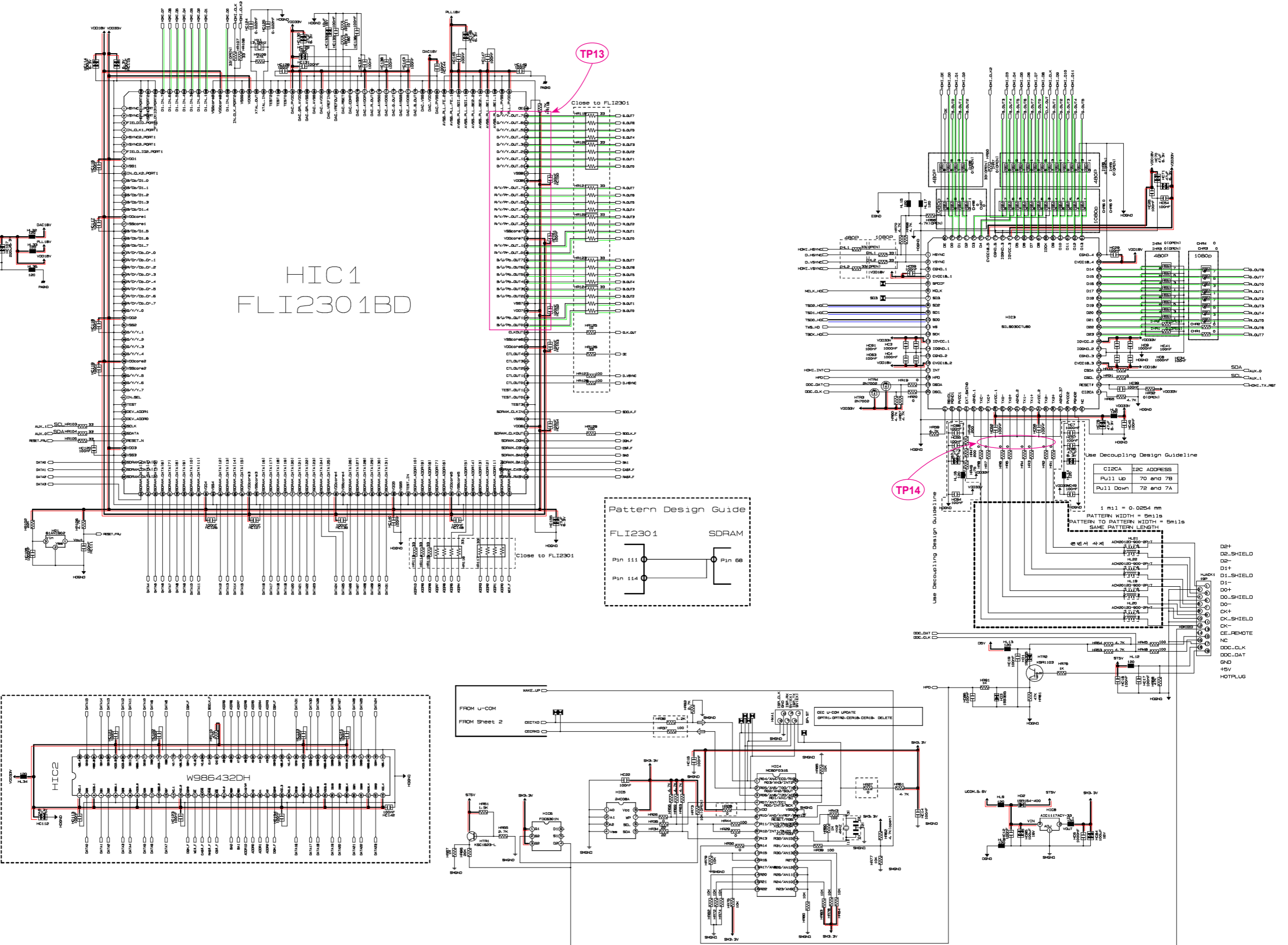
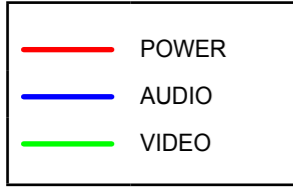
Ref. No.	U: u-COM	UX1X
	O: OPTICAL	OX1X
	T: TUNER	TX1X

OPTION TABLE

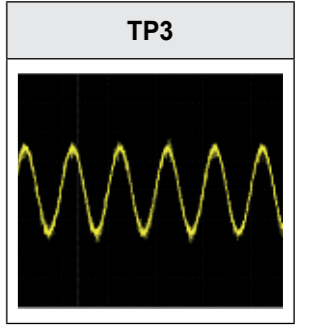
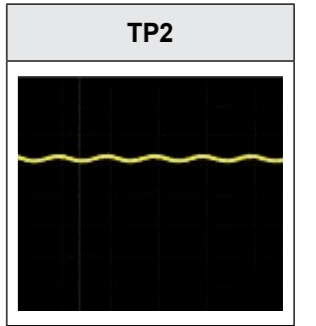
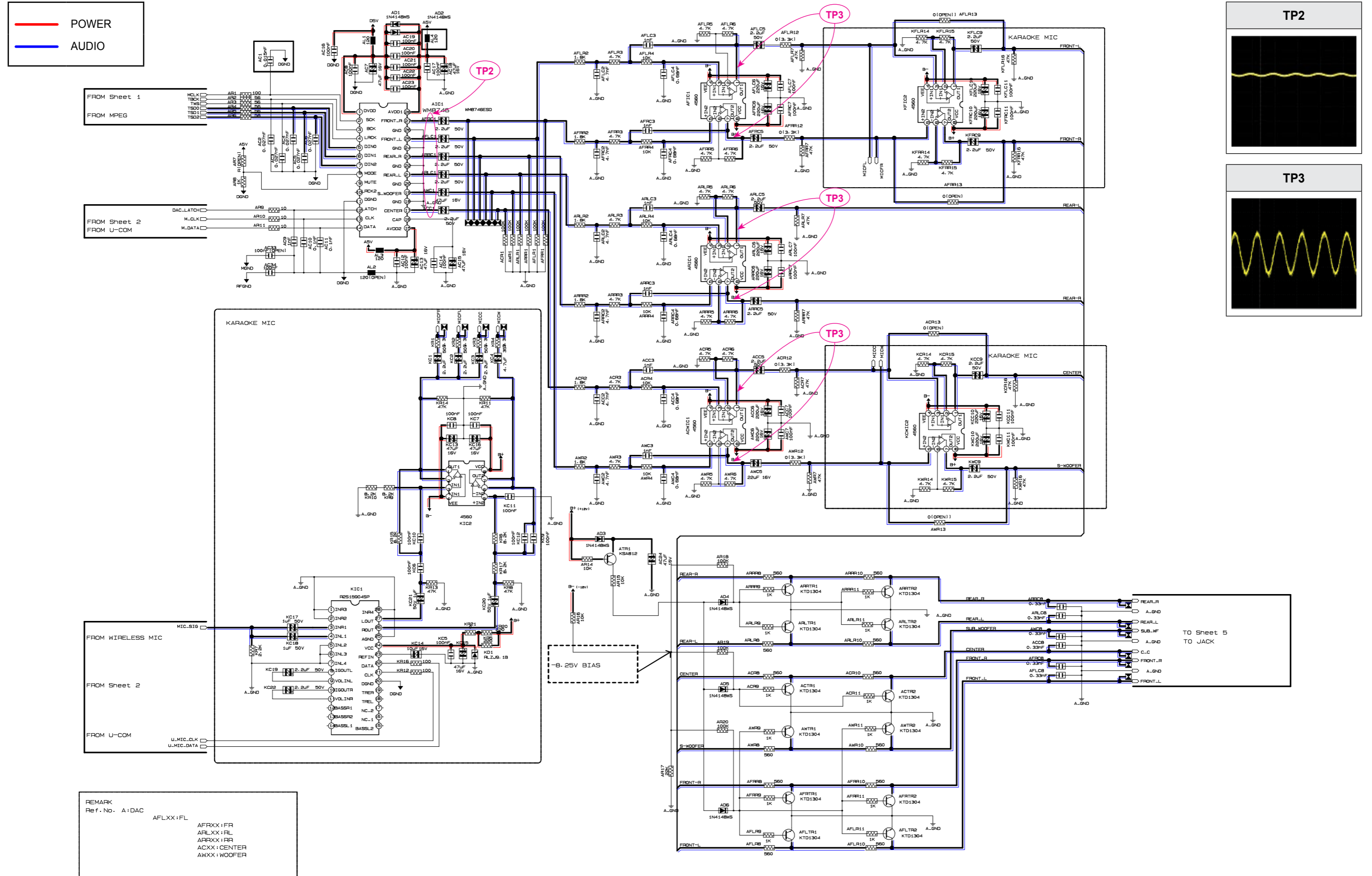
TUNER	UD1, UD2, UD3, UD4 (RDS ON)
REGION CODE	UD5 (1) UD6 (2) UD8 AND UD9 (3) UD7 (4) MAXI (COL) AND UD8 (5) UD7 ABD UD8 (5)
TV TYPE	UD8 AND UD9 = X X (NTSC) UD8 AND UD9 = O O (PAL N, M)
DSP	UD10 (SDSM)
V-CD	UD11
WIDE TV	UD13 (Y, PB, RB) UD16 (WIDE TV)
HDMI	UD18
USB	UD19
DVDAUDIO	UD21



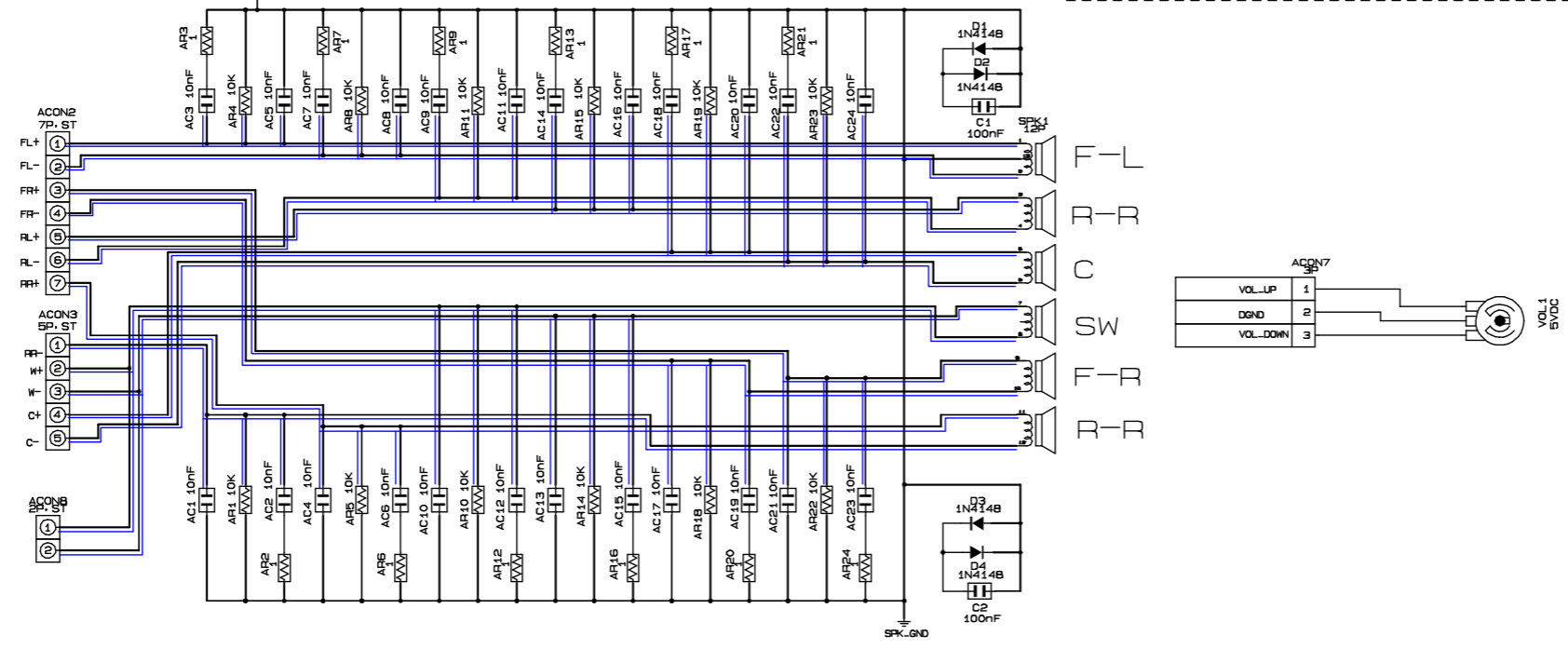
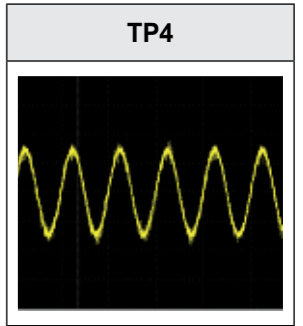
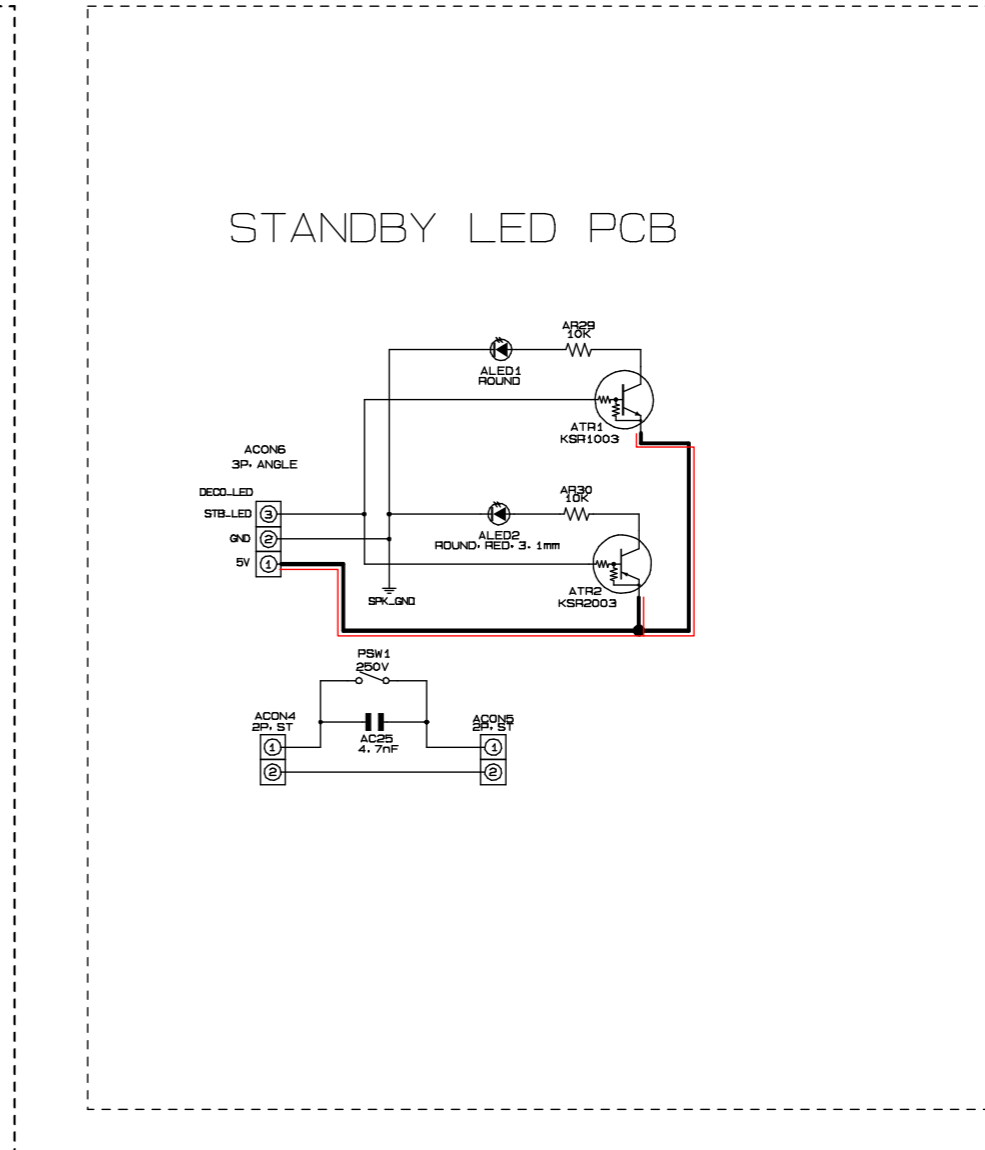
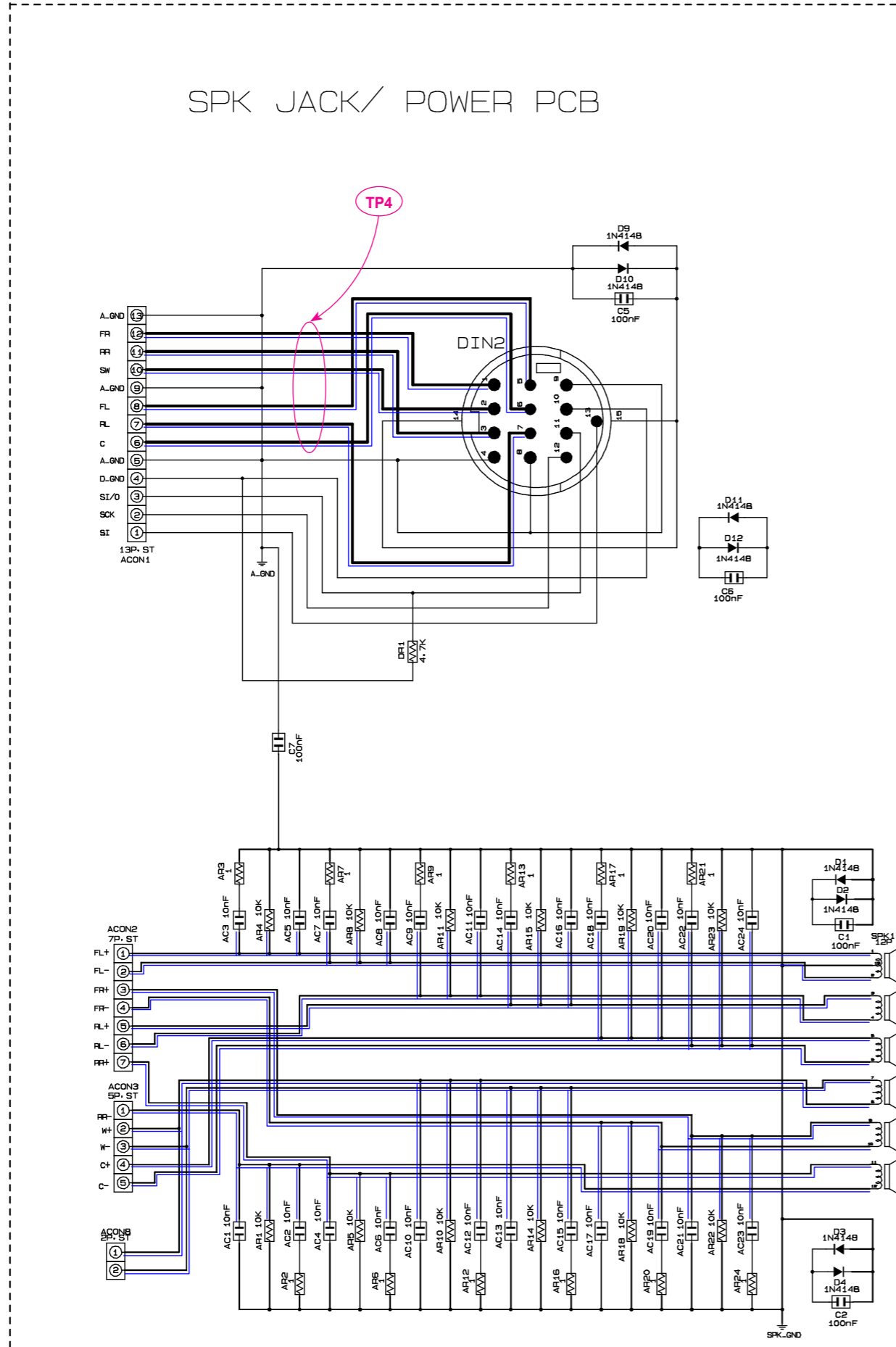
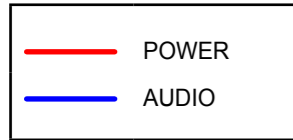
7-6 HDMI/MAIN



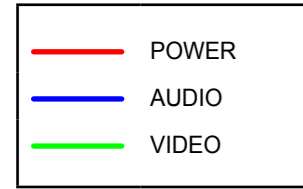
7-7 KARAOKE, DAC/MAIN



7-8 SUBAMP

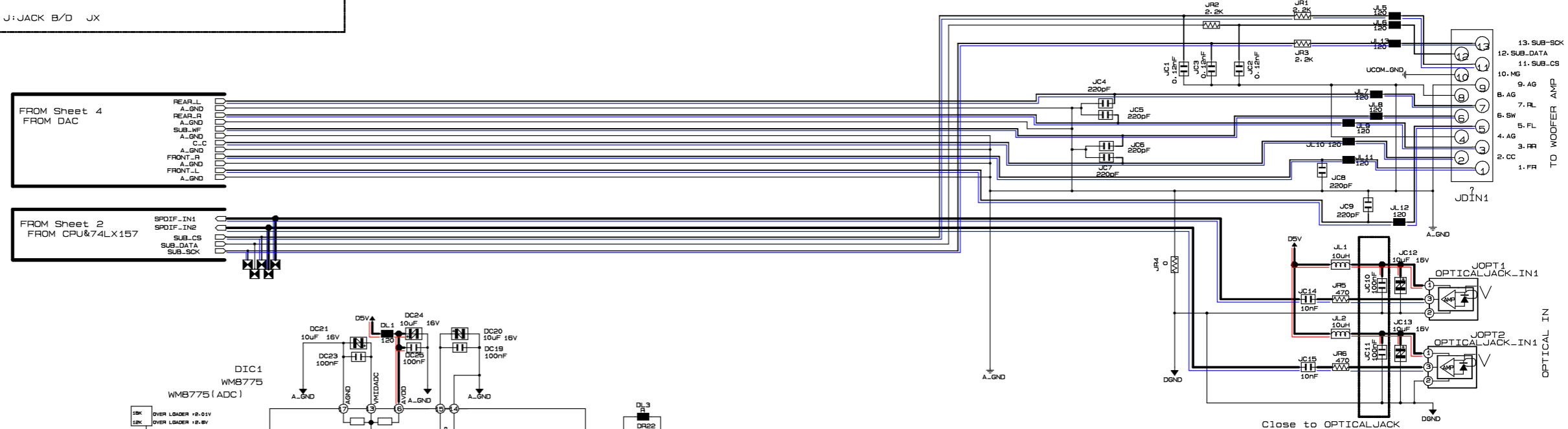


7-9 FUNCT, VIDEO, DIN/MAIN



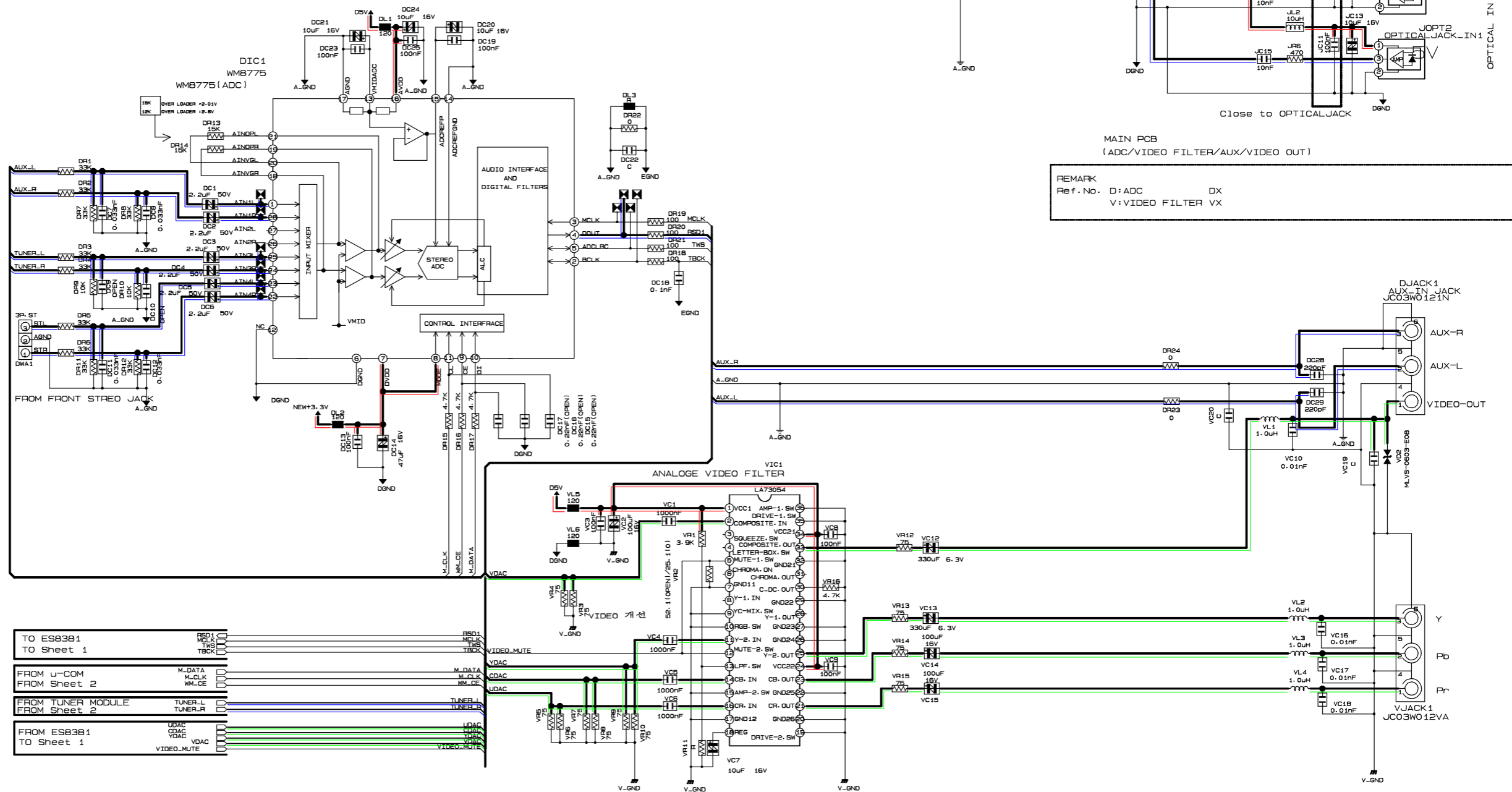
JACK PCB

REMARK
Ref. No. J: JACK B/D JX

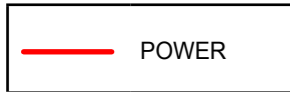


MAIN PCB
(ADC/VIDEO FILTER/AUX/VIDEO OUT)

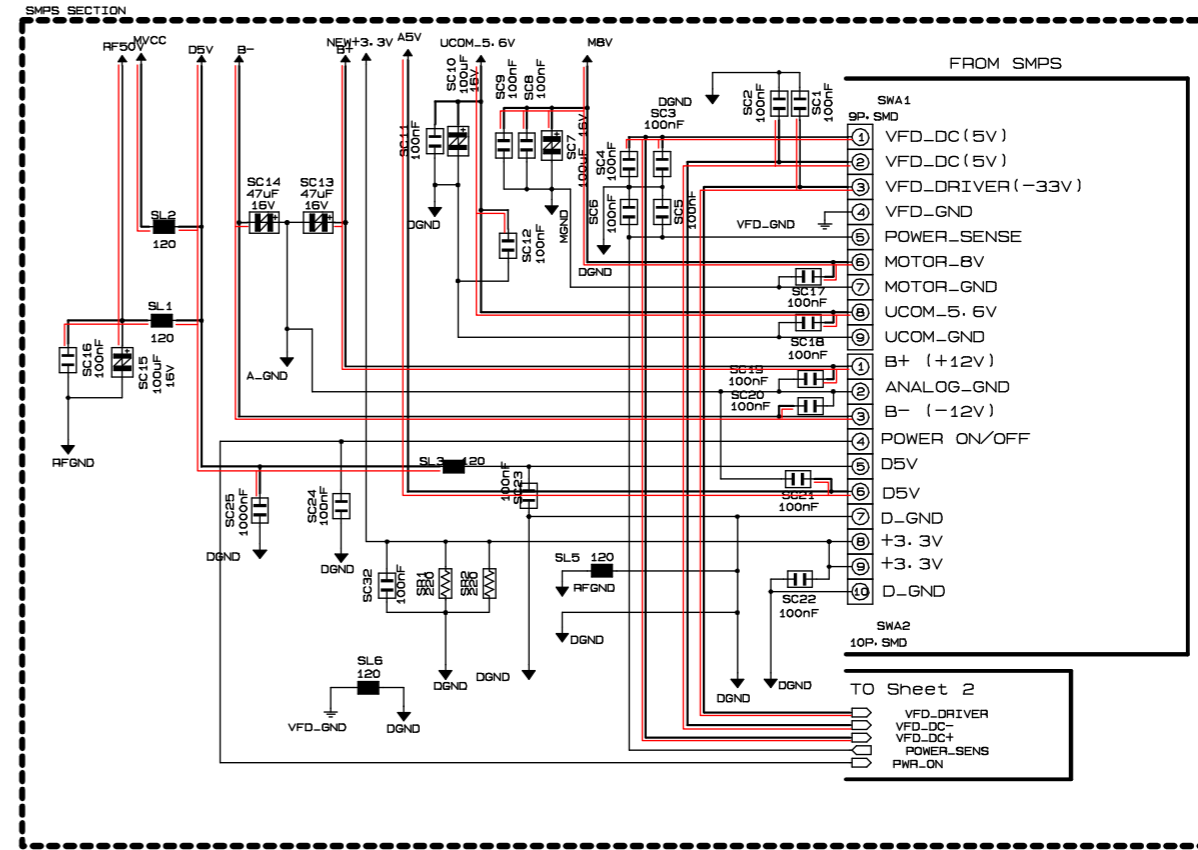
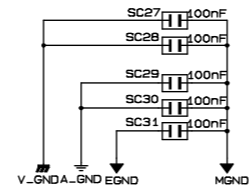
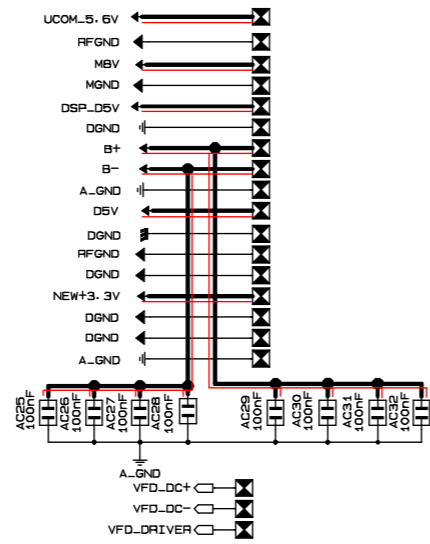
REMARK
Ref. No. D: ADC DX
V: VIDEO FILTER VX



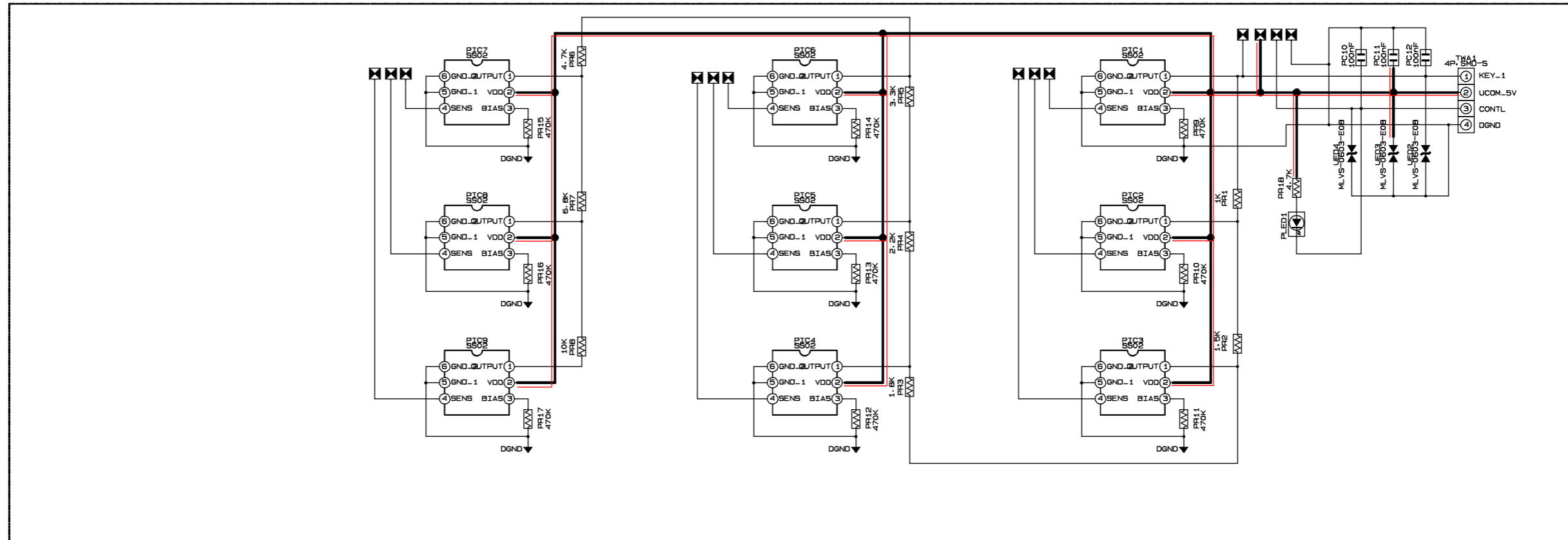
7-10 SMPS, TOUCH PAD/MAIN



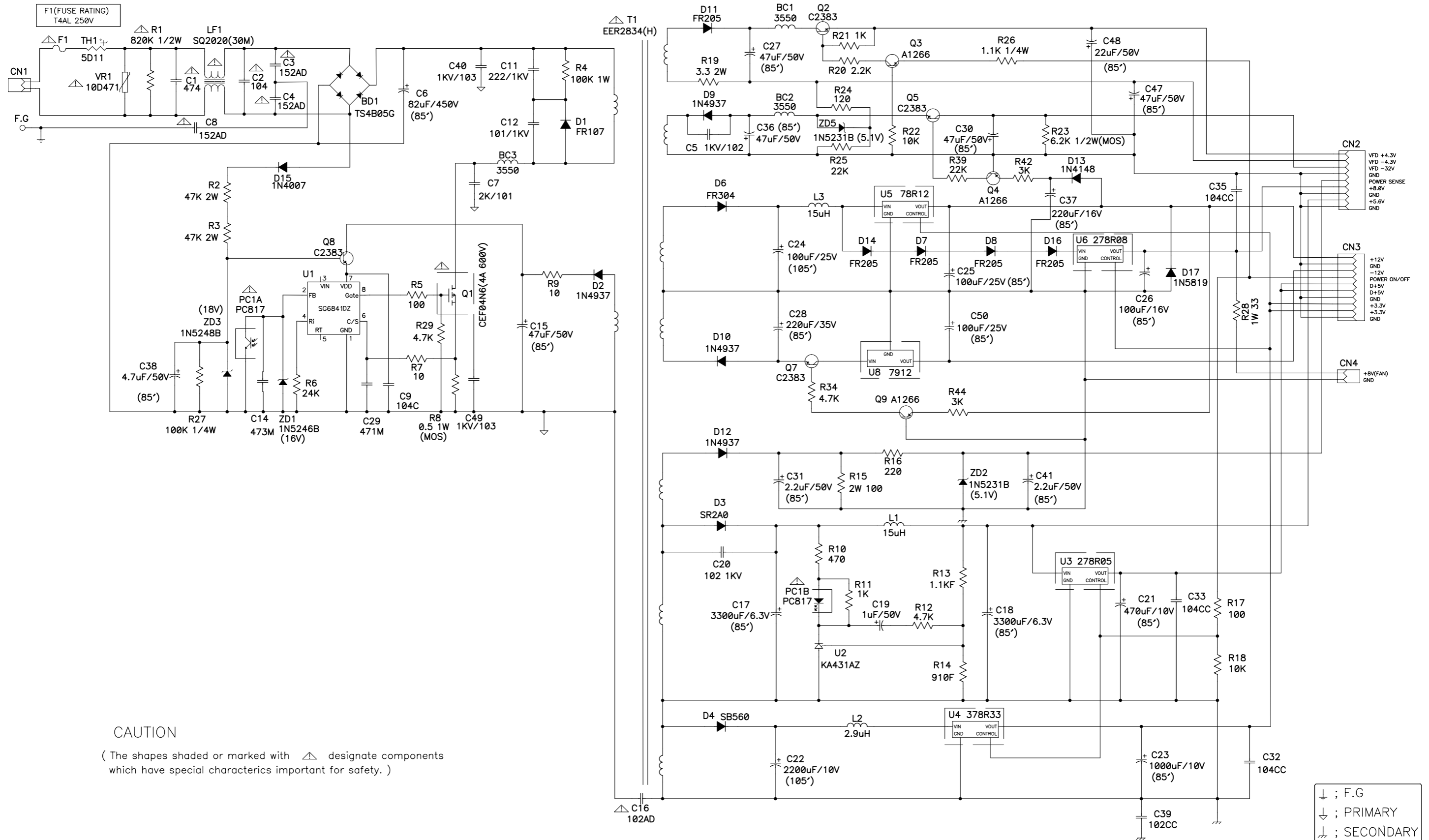
REMARK
Ref. No. S: SMPS
P: TOUCH PAD



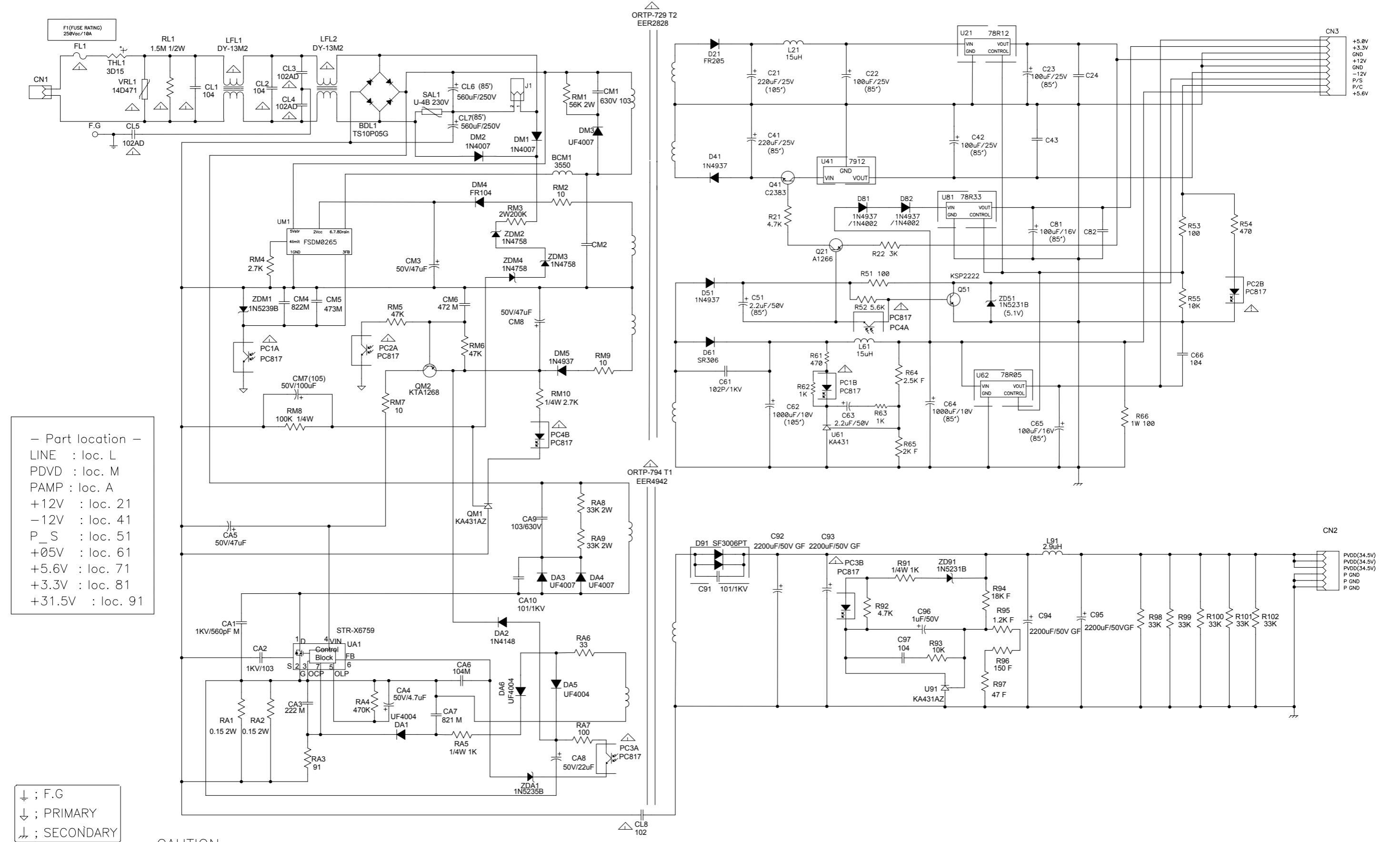
TOUCH PAD PCB SECTION



7-11 MAIN SMPS ASSY



7-12 SUB WOOFER SMPS ASSY



- Part location -
- LINE : loc. L
- PDVD : loc. M
- PAMP : loc. A
- +12V : loc. 21
- 12V : loc. 41
- P_S : loc. 51
- +05V : loc. 61
- +5.6V : loc. 71
- +3.3V : loc. 81
- +31.5V : loc. 91

- ⏚ ; F.G
- ⏚ ; PRIMARY
- ⏚ ; SECONDARY

CAUTION
 (The shapes shaded or marked with designate components which have special characteristics important for safety.)

MEMO