

SPECIFICATIONS

Power supply		230V -, 50Hz	240V -, 50Hz
Microwave	Power consumption	1,550 W	1,600 W
	Output power	1,000 W (IEC705)	1,000 W (IEC705)
	Frequency	2,450 MHz	2,450 MHz
Grill power consumption		1,400 W	1,500 W
Convection power consumption		1,400 W	1,500 W
Combination heating power consumption		2,900 W (Simultaneous)	3,000 W (Simultaneous)
		1,550 W (Sequential)	—
Outside Dimensions (W × D × H)		526 (20.7) × 460 (18.1) × 345 (13.6) mm (inch)	
Cavity Dimensions (W × D × H)		335 (13.2) × 335 (13.2) × 260 (10.2) mm (inch)	
Net Weight		Approx. 22 Kg (48.5 lbs)	
Timer		99 minutes	
Select function		Microwave/Grill/Convection/Combi/Rotisserie (option)	
Microwave power level		10 stages	

* Specification subject to change without notice.

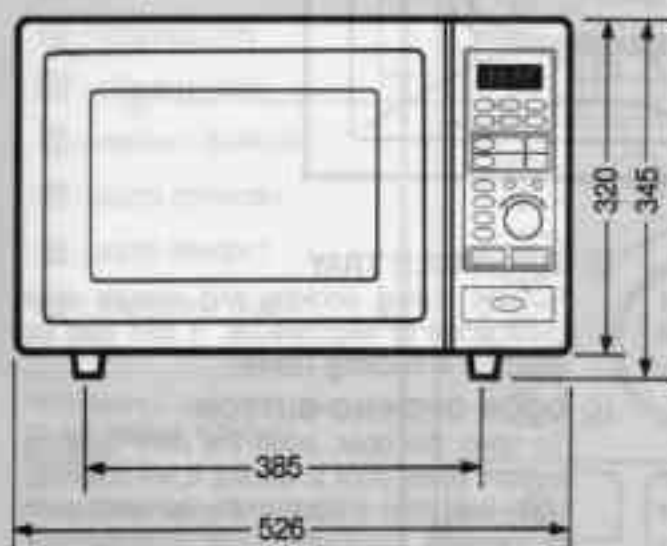


Fig. 1 Front View

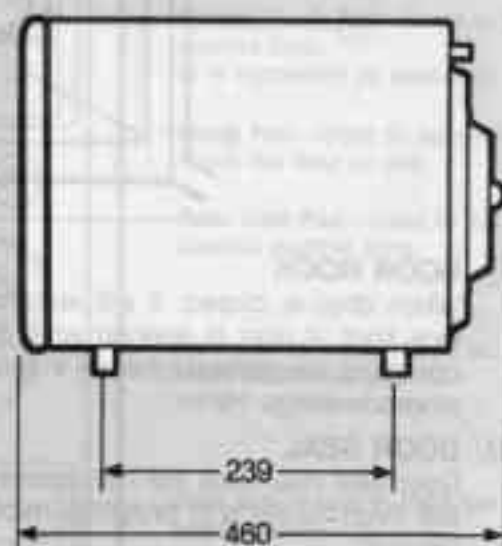


Fig. 2 Side View

7. To remove control panel assembly. (Refer to Fig. 7, 8)

- 1) Remove a screws holding control panel assembly to the oven front plate.
At the same time, draw forward the control panel assembly from oven front plate.
- 2) Remove two screws (6) which secure the P.C.B. main assembly (5) to control panel (1).
- 3) Pull the knob (8) from the P.C.B. main assembly.
- 4) Disconnect membrane tail from the connector of the P.C.B main assembly
- 5) Detach membrane (4) from the control panel.
- 6) Remove door open button (3) and button spring (2) from the control panel.
- 7) Reverse the above steps for reassembly.

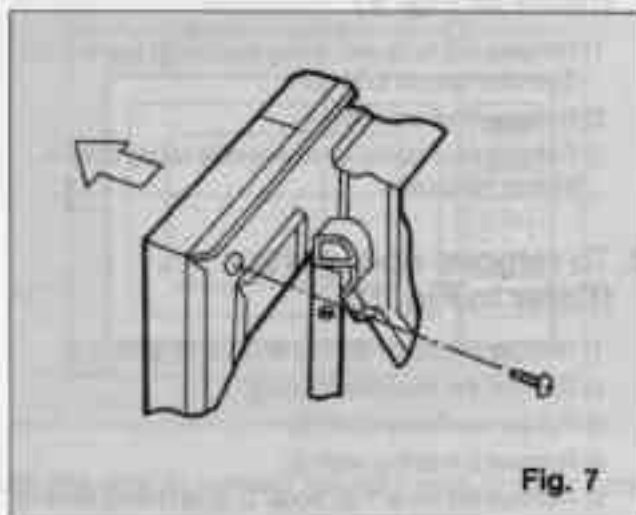
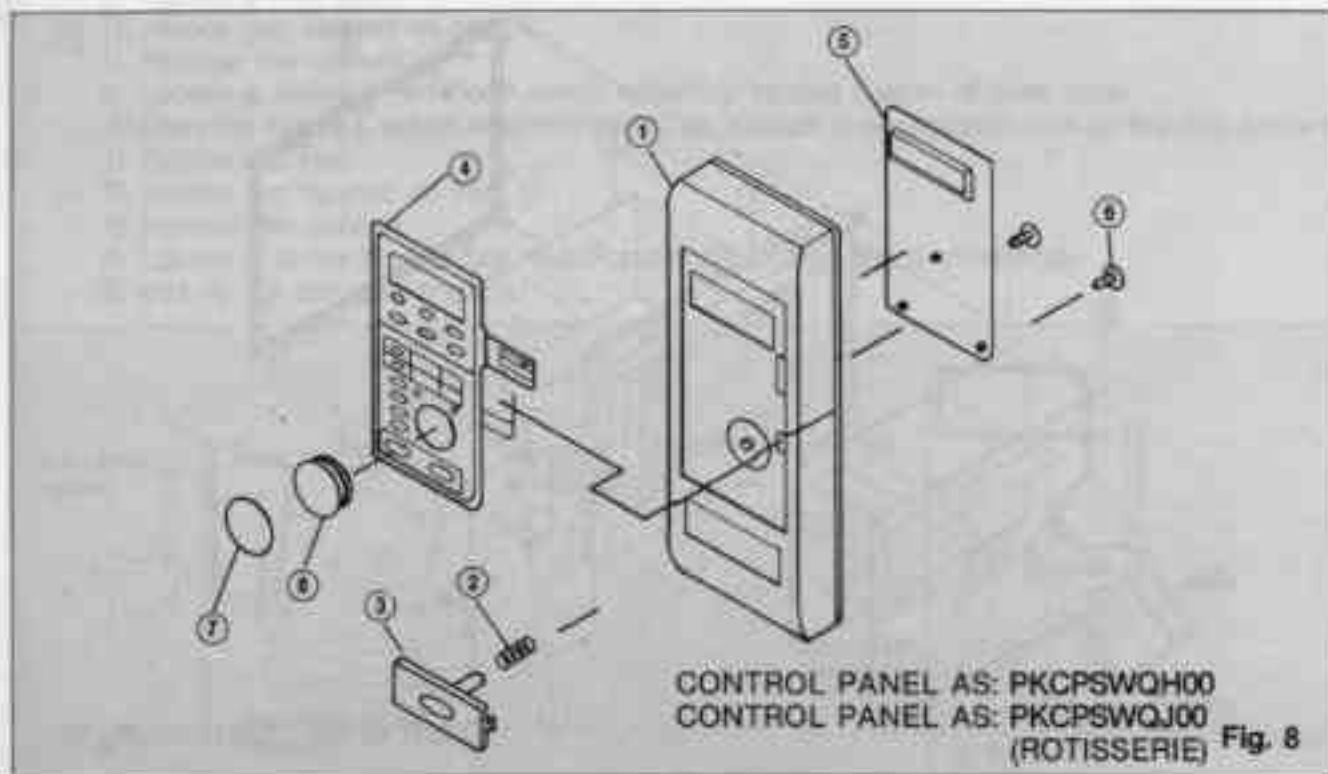


Fig. 7



CONTROL PANEL AS: PKCPSWQH00
CONTROL PANEL AS: PKCPSWQJ00 (ROTISSERIE) **Fig. 8**

REF No	PART CODE	PART NAME	DESCRIPTION	Q'TY	REMARK
201	3516707600	CONTROL PANEL	P.C.	1	
202	441B655072	SPRING DOOR OPEN (HSWR)	HSWR	1	
203	441B655042	DOOR OPEN BUTTON	P.C.	1	
204	3518505940	SWITCH MEMBRANE MIO STAR	KOC-960PBS	1	ROTISSERIE
205	PKMOMSQJ00	PCB MAIN W/SLOW RELAY	KOC-960PBS	1	ROTISSERIE
207	3514600100	RING KNOB	SIR-0607	1	
208	3513401500	KNOB	HR-420	1	

8. To remove door assembly. (Refer to Fig. 9)

- 1) Remove two bolts with spring washer ① and two nuts ② which secure to hinge.
- 2) Remove door assembly ④.
- 3) Remove door above for reassembly taking care to replace fixing glue.

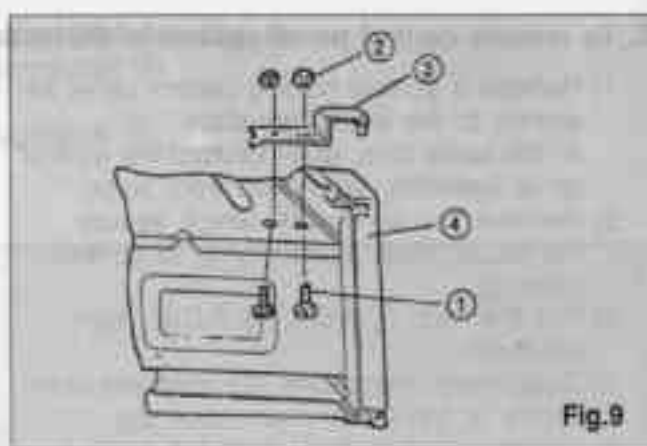
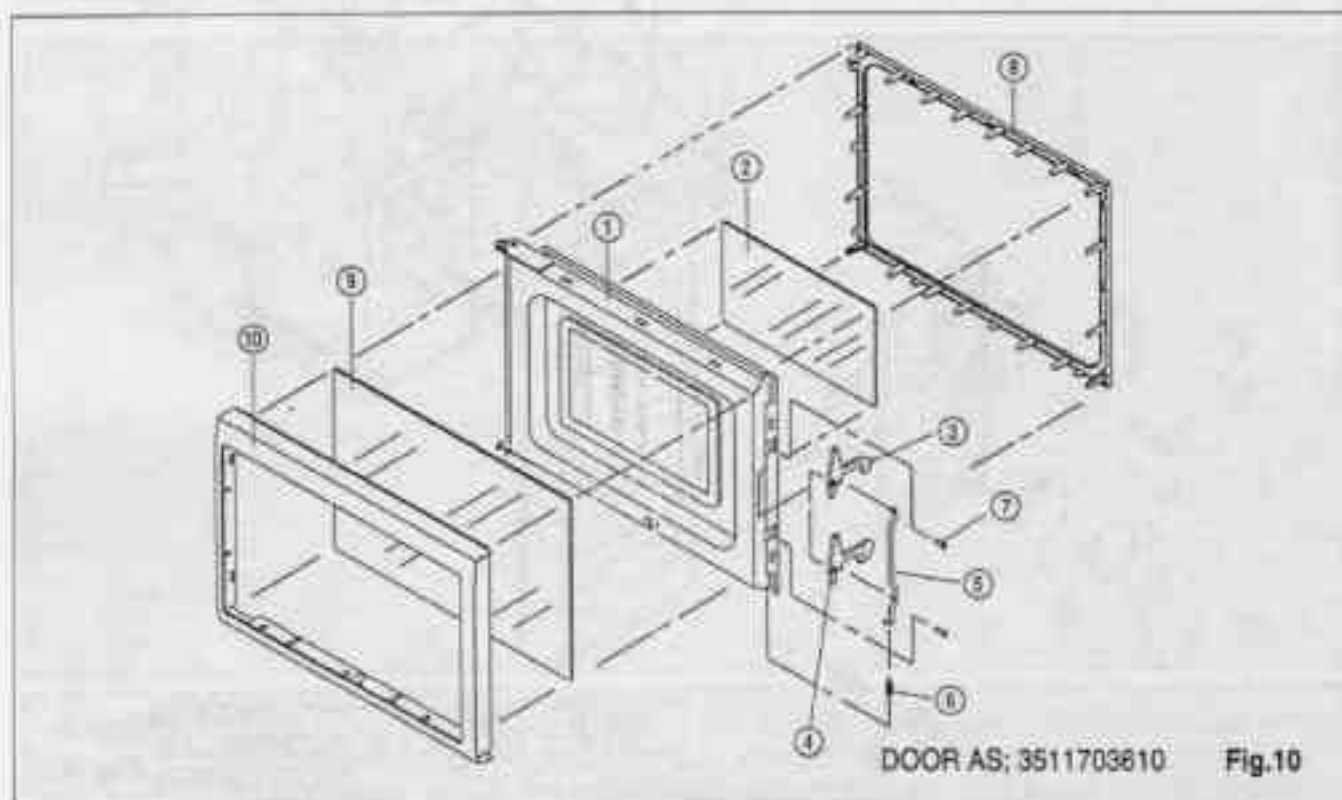


Fig.9

9. To remove door parts. (Refer to Fig. 10)

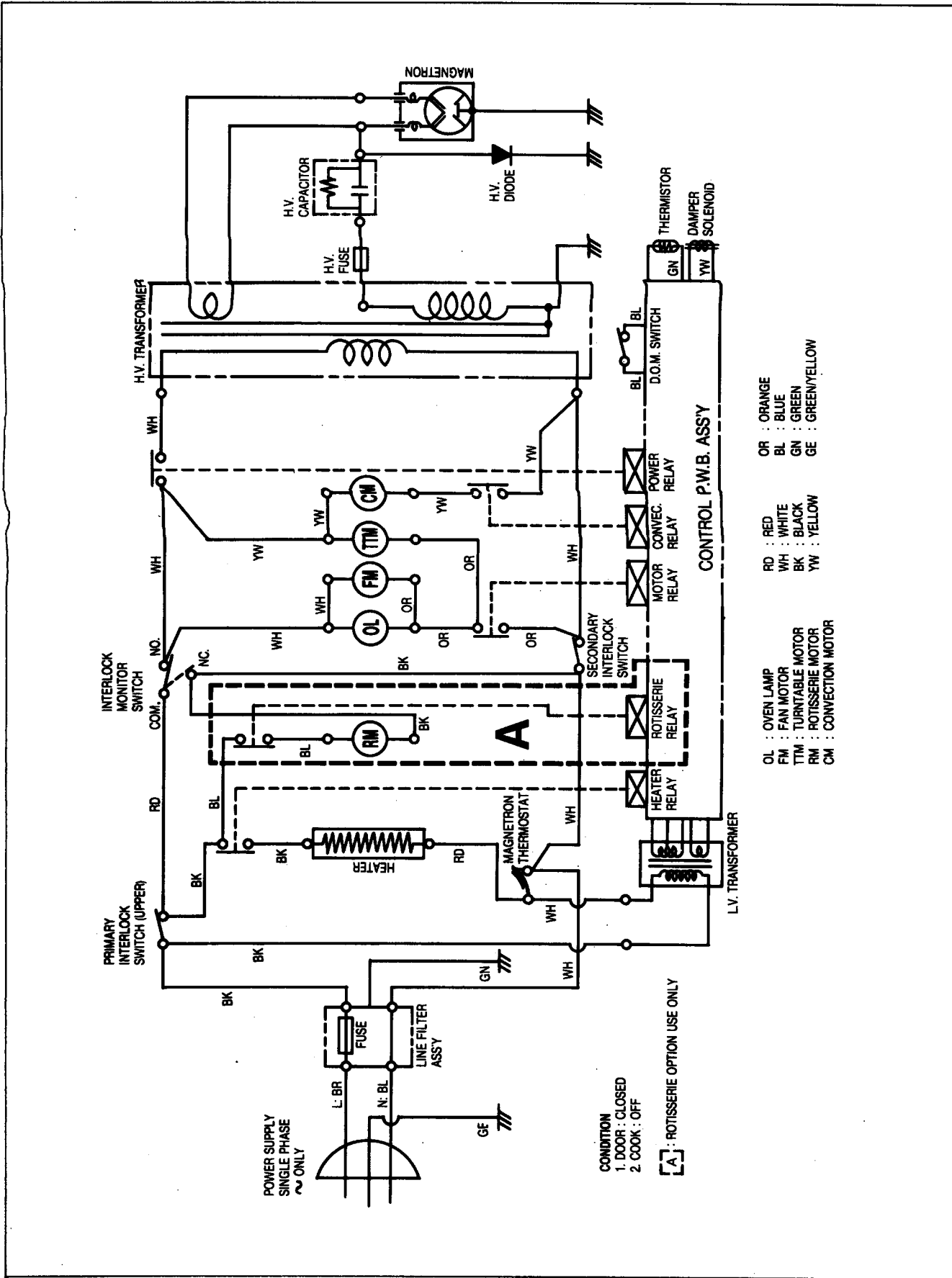
- 1) Remove the frame door ⑩ and barrier-screen ⑨.
- 2) Remove the Absorber micro ⑧.
- 3) Pull the two fixture hook ⑦.
- 4) Remove the spring hook ⑥.
- 5) Remove the hook *T ③, hook *U ④ and lever hook ⑤.



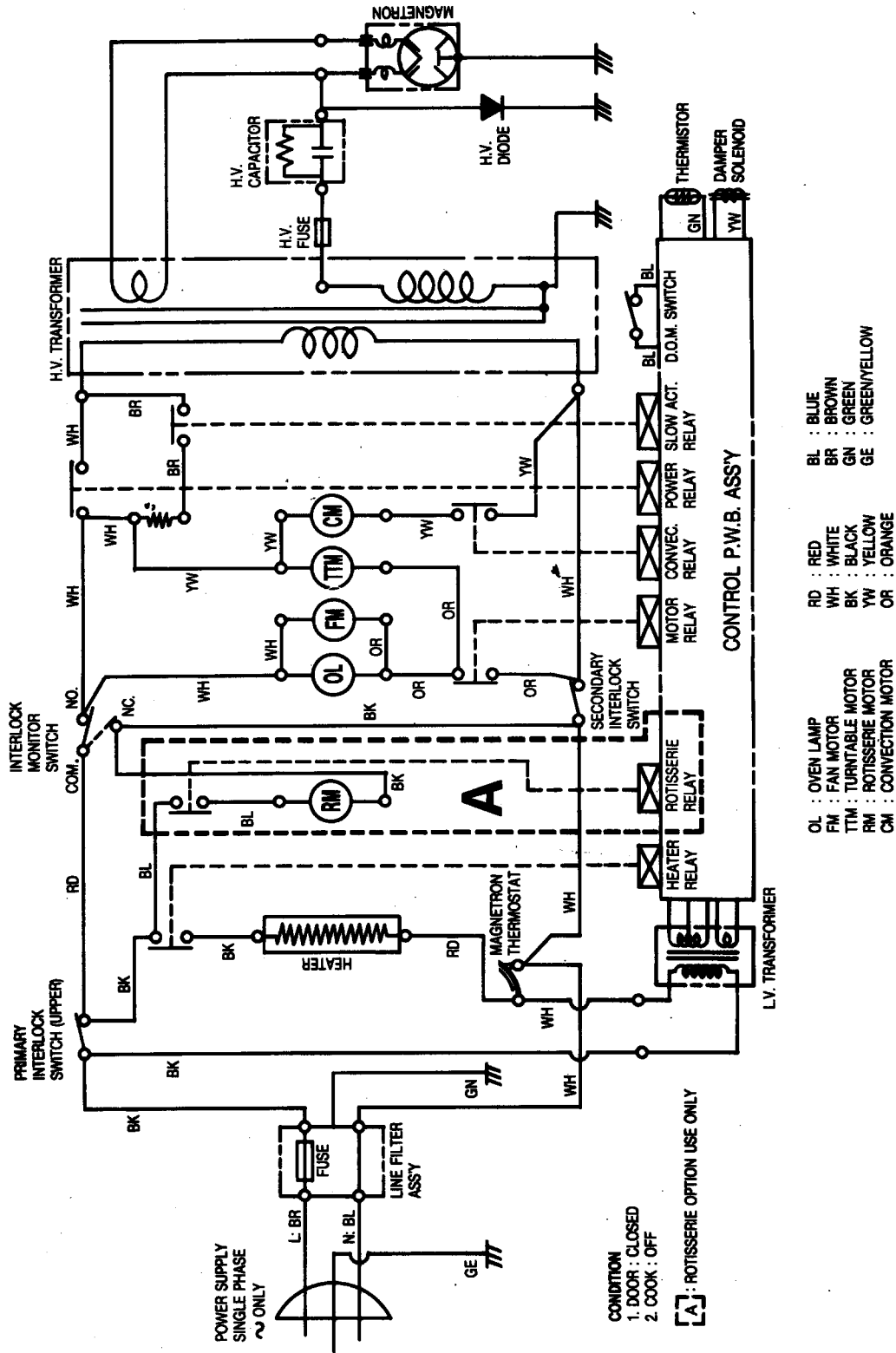
DOOR AS; 3511703810 Fig.10

REF NO	PART CODE	PART NAME	DESCRIPTION	QTY	REMARKS
A1	3511703800	DOOR PAINTING AS		1	
A2	3517002000	BARRIER-SCREEN *1	GLASS 3.0T	1	
A3	3513100100	HOOK *T	ACETAL F20-XX	1	
A4	3513100200	HOOK *U	ACETAL F20-XX	1	
A5	4413A44001	LEVER HOOK AS		1	
A6	4413A40073	SPRING HOOK	PW1 MFZN 10	2	
A7	4417R40032	FIXTURE HOOK	SWRM BLACK	1	
A8	3510100200	ABSORBER MICRO	PAI+FERRITE	1	
A9	3517001930	BARRIER-SCREEN *O	FLOAT GLASS 3.2T	1	
A10	3512201300	FRAME DOOR	P.C	11	

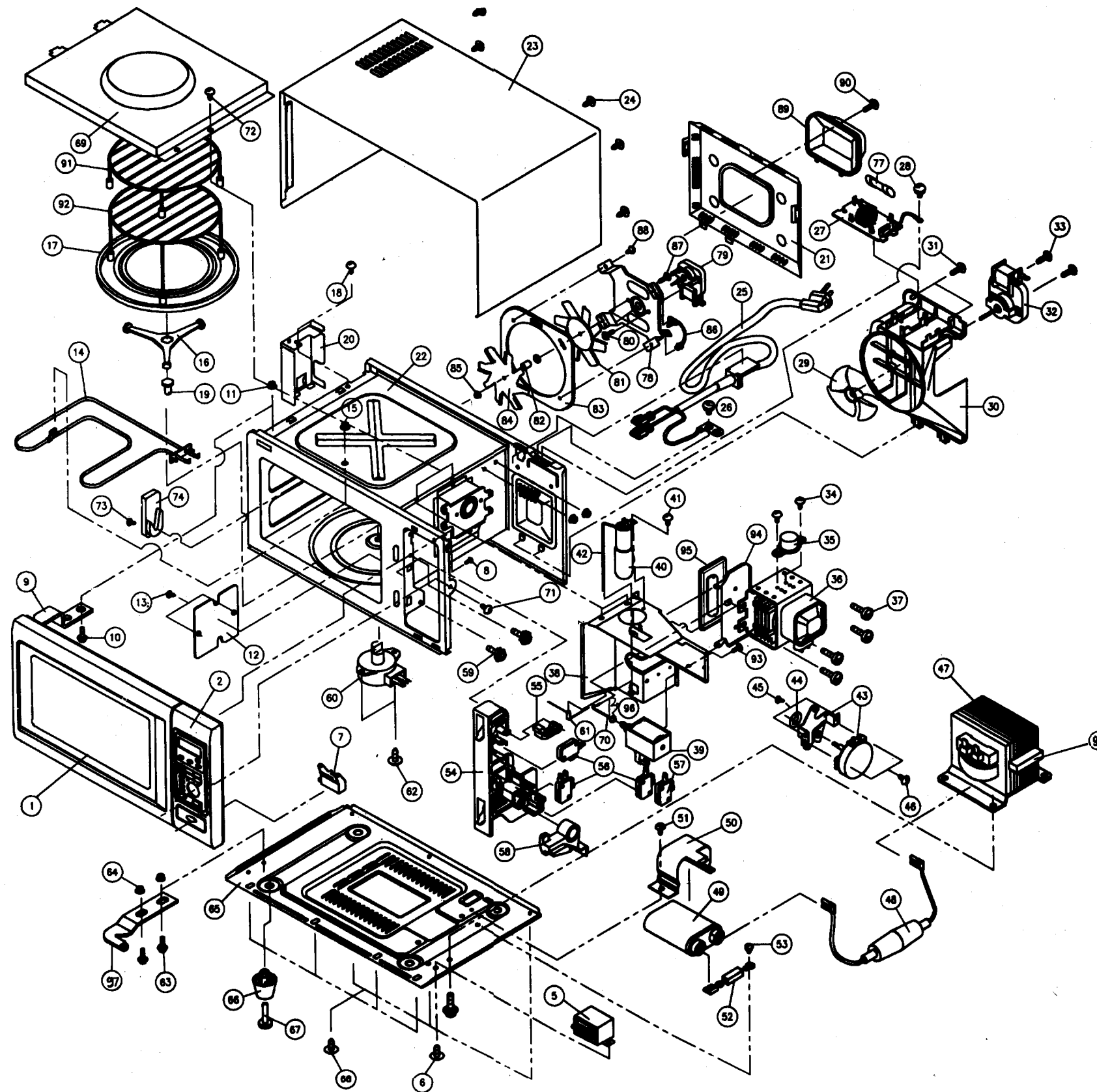
WIRING DIAGRAM



WIRING DIAGRAM (GERMANY)



* GERMANY



Exploded and Parts List

REF NO	PART CODE	PART NAME	DESCRIPTION	QTY	REMARKS
F1	3511703610	DOOR ASS'Y	KOG-9605OS	1	
F2	PKCPSWQH00	CONTROL PANEL AS	KOC-960POS	1	POTISSERI
	PKCPSWQJ00		KOC-960PBS		
F5	5EPV048355	TRANS POWER	DMR-881FS	1	S
	5EPV048405				
F6	7112400811	SCREW TAPPING	T1 TRS 4X8 MFZN	2	
F7	441P655031	LEVER DOOR OPEN	ACETAL	1	
F8	7621401211	SCREW TAPPING	T2S PAN 4X12 PW MFZN	1	
F9	3515200800	STOPPER HINGE *T	SCP-1 2.5T	1	
F10	7650501611	BOLT HEX	6B-1 15X16 HS MFZN	2	
F11	7S627W50X1	NUT HEX	NUT FLANGE M5X0.8PMFZN	2	
F12	3511401600	COVER WAVE GUIDE	MICA 0.35T	1	

*S: Substitutive

REF NO	PART CODE	PART NAME	DESCRIPTION	QTY	REMARKS
F13	7113400814	SCREW TAPPING	T1 BIN 4X8 MFZN	1	
F14	3512800700	HEATER	1R07835 230V 1350W	1	
F15	7S627W50X1	NUT HEX	NUT FLANGE M5X0.38 MFZN	3	
F16	3512507400	ROLLER ASS'Y	KOC-961COS	1	
F17	3517202500	TRAY METAL	SP T0.8	1	
F18	7121400811	SCREW TAPPING	T2S PAN 4X8 MAZN	1	
F19	3517400100	COUPLER	TEFLON	1	
F20	3512505500	GUIDE AIR OUTLET	SAID-80 0.5T	1	
F21	3511401300	COVER INSULATOR *R	SBHG-1 0.6T	1	
F22	3516104600	CAVITY WELDASS'Y	KOC-961COS	1	ROTISSERI
	3516104610		KOC-961CBS		
F23	3510801000	CABINET	SECC 0.6T P.C.M	1	
F24	7S312X4081	SCREW TAPPING	T1 TRS 4X8 SE MFZN	5	
F25	35113A1G05	CORD POWER ASS'Y	3X1.5 80X80 100 RTML	1	U.K
	35113A5L25		3X1.25 80X80 120 RTML		
F26	7S312X4081	SCREW SPECIAL	T1 TRS 4X8 SE MFZN	2	2
F27	3518602700	NOISE FILTER	DWLF-L1	1	
F28	7S422J40A1	SCREW SPECIAL	T1 TRS 4X8 SE MFZN	1	
F29	3511800100	FAN	P.P GE20	1	
F30	3512505200	GUIDE WIND	P.P (5113MF6)	1	
F31	7621401211	SCREW TAPPING	T2S PAN 4X12 PW MFZN	2	
F32	3963513000	MOTOR SHADE POLE	OEM-15DWC2-A03 23V 25W	1	
	3963513010		MW 15CA-B01 230V 25W	1	
F33	7121402511	SCREW TAPPING	T2S PAN 4X25 MFZN	2	
F34	7279300611	SCREW TAPPING	TT2 BRS 3X6 MFZN	2	
F35	3518900300	MAGNETRON THERMOSTAT	PW-2 54F 150/60	1	
F36	3518000801	MAGNETRON	2M218J (ME) I	1	
F37	7S327W50B1	SCREW TAPPING	T2 GLANGE 5X12 MFZN	4	
F38	3512508000	GUIDE AIR WELD ASS'Y	KOC-961COS	1	
F39	3519000100	SOLENOID	DET-SL-007 DC 12V	1	
F40	3513601000	LAMP	BM 240V25W T25 C7A V187	1	
F41	7S312X4081	SCREW TAPPING	T1 TRS 4X8 MFZN	1	
F42	441Z724041	SHAFT DAMPER	SWRM	1	
F43	441BE15201	MOTOR SYNCHRONOUS	GM-20-24FDB1	1	ROTISSERI
F44	3512300300	GASKET	C2700W 20T	1	ROTISSERI
	441BE15313				S
F45	7112400808	SCREW TAPPING	T1 TRS 4X8 SUS (OPTIONG)	2	
F46	7112400811	SCREW TAPPING	T1 TRS 4X8 (OPTION)	2	
F47	3518103800	H.V TRANSFORMER	JY-N 100S0-96T	1	S
	3518103810		DY-N 100SO-96T		
F48	441R156100	FUSE H.V	5KV 0.7V 0.7A THV100T-0700	1	S
	3518700200		5KV 0.7A THV060T		
F49	4416W67820	CAPACITOR H.V	2100V AC 1.1MICRO F	1	
F50	3513001700	HOLDER HV CAPACITOR	SECC 0.8T	1	
F51	7121400811	SCREW TAPPING	12S PAN 4X8 MFZN	1	
F52	4415824000	DIODE HV	HVR-1X32B	1	S
	4416V24000		HVR-1X-32B		

Exploded and Parts List

REF NO	PART CODE	PART NAME	DESCRIPTION	QTY	REMARKS
F53	7172400811	SCREW TAPTTITE	TT2 TRS 4X8 MFZN	1	
F54	4418D18012	LOCK	F20-XX, M90-02	1	
F55	4418D18021	LEVER SW MICRO	F20-XX. M90-02	1	
F56	4415A17352	SW MICRO	VP-533A-OF	3	S
	5S762S10G0		V16-FA-63 SPNO		
F57	4415A66910	SW MICRO	VP-531A-OF (MONITOR)	1	S
	5S762310G0		V16-FA-61 2C3P		
F58	4413A17032	LEVER LOCK	M90-02 (DURACON), NATURAL	1	
F59	7181401211	SCREW TAPPING	T2S PAN 4X12 PW MFZN	2	
F60	3966030600	MOTOR SYNCRO	220/240V 2.5W GM-20-24	1	
F61	3515101000	SPRING TORSION	HSWR	1	
F62	7121400811	SCREW TAPPING	T2S PAN 4X8 MFZN	2	
F63	7S517W50D1	BOLT HEX	HEX 6B-1 5X16 SE MFZN	2	
F64	7S627W50X1	NUT HEX	NUT FLANGE M5X0.8P	2	
F65	3510306600	BASE PLATE	SBHG 0.8T	1	
F66	4413A12030	FOOT	P.P	4	
F67	4413A12010	FIXTURE FOOT	P.P	4	
F68	7112400811	SCREW TAPPING	T1 TRS 4X8 MFZN	7	
F69	3511401900	COVER INSULATOR *T AS	KOC-961COS	1	
F70	3513700300	LEVER DAMER	MSWR	1	
F71	7S422J40A1	SCREW SPECIAL	TT2 TRS 4X8 MFZN	1	
F72	7112400811	SCREW TAPPING	T1 TRS 4X8 MFZN		
F73	7112400811	SCREW TAPPING	T1 TRS 4X8 MFZN (OPTION)	1	ROTTSSERI
F74	3512506700	GUIDE ROTARY	TEFLON	1	ROTTSSERI
F77	4417B67600	FUSE	UL/CSA NM15A 250V MF61	1	
F78	3510601500	BRACKET MOTOR	SBHG-1 T0.8	1	
F79	3963513200	MOTOR SHADED POLE	OEM-10DWC2-A09 230V 25W	1	
F80	7051400811	SCREW MACHINE	PAN 4X8 SW MFZN	2	
F81	441B629071	FAN	SBHG-1 T0.6	1	
F82	3514400400	PIPE	AL1100	1	
F83	3511401800	COVER INSULATOR	SA1D-80 T0.7	1	
F84	3511800400	FAN CONVECTION	SA1D T0.5	1	
F85	7S627W40X1	SPECIAL SCREW	NUT FLANGE M4 MFZN	1	
F86	DPTMK312D1	THEMISTOR	PTM-K312-D1	1	
F87	7S312X4081	SCREW TAPPING	T1 TRS 4X8 SE MFZN	1	
F88	7S312X4081	SCREW TAPPING	T1 TRS 4X8 SE MFZN	1	
F89	3511402100	COVER *B	P.P	1	
F90	7112400811	SCREW TAPPING	T1 TRS 4X8 MFZN	1	
F91	3517202600	TRAY RACK ASS'Y *S	KOC-961COS 250X27	1	
F92	3517202610	TRAY RACK ASS'Y *L	KOC-961COS 250-117	1	
F93	7002300613	SCREW MACHINE	PAN 3X6 MFZN	1	
F94	3517501000	PROTECTOR DAMPER	SBHG-1 T0.5	1	
F95	3515400200	VALVE DAMPER	SILICONE RUBBER	1	
F96	7121301411	SCREW TAPPING	T2S PAN 3X14 MFZN	1	
F97	3515200900	STOPPER HINGE *U	SCP-1 3.2T	1	
F98	3517301700	FOAM	NR	1	

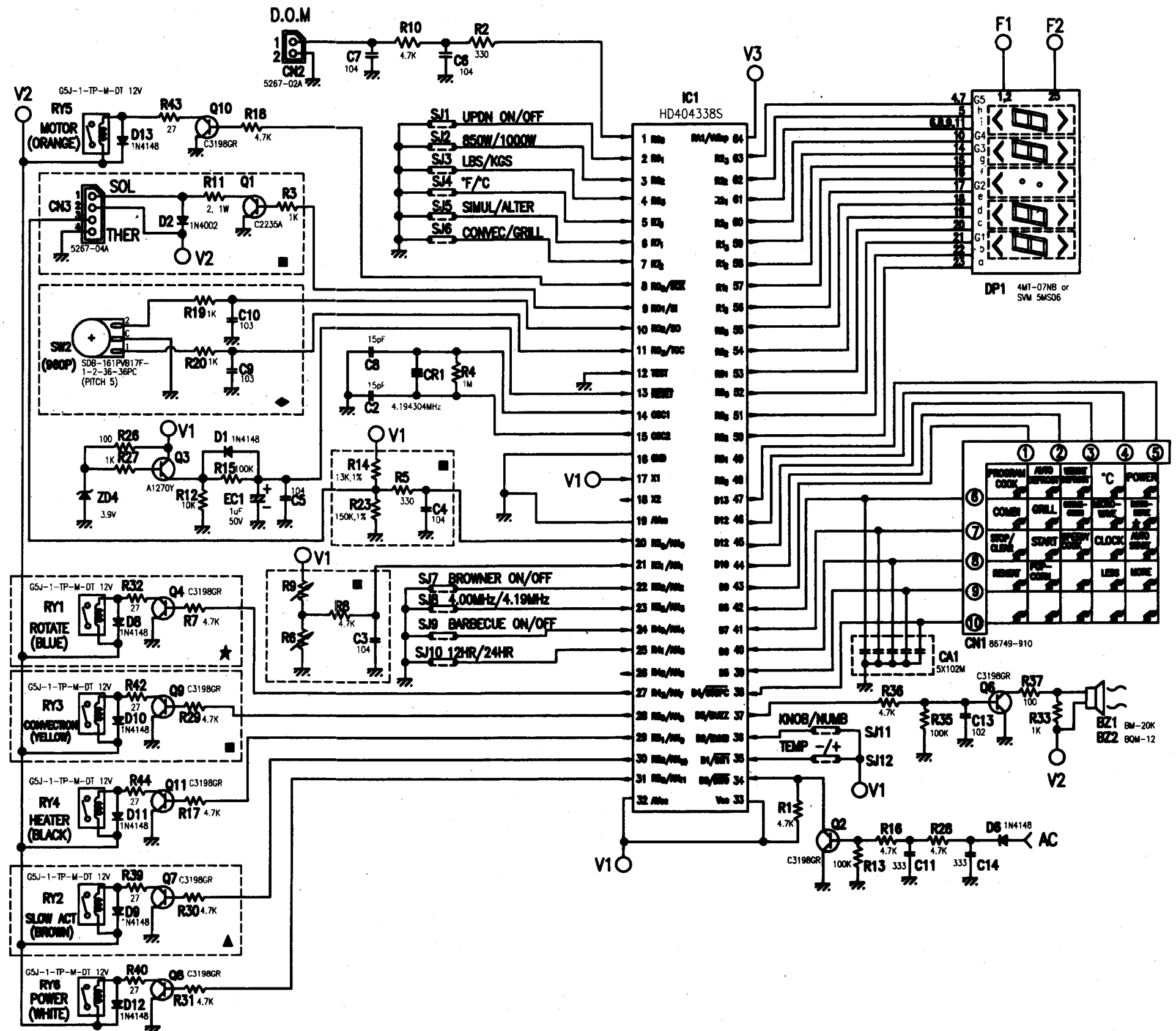
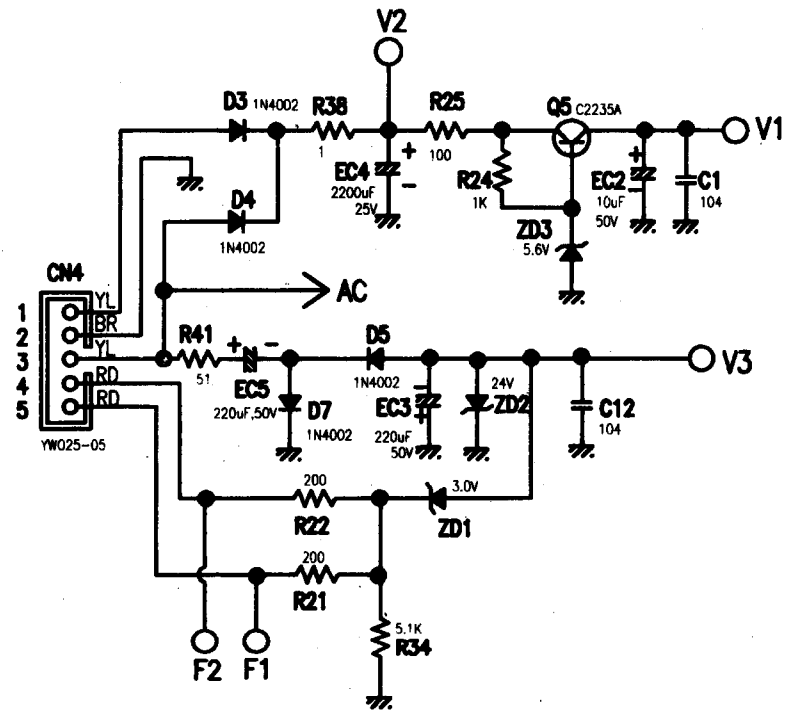
P.C.B. CIRCUIT DIAGRAM

V1 : +5V
V2 : +15V
V3 : -24V

NOTE

YL:YELLOW
BR:BROWN
RD:RED

- ▲ MARK : SLOW ACTING MODEL
- ◆ MARK : KNOB TYPE MODEL
- MARK : CONVECTION MODEL
- ★ MARK : ROTISSERIE MODEL



P.C.B. LOCATION NO

SYMBOL	NAME	SPECIFICATION	PART CODE	QTY	REMARK
PCB	PCB MAIN	M205	3514304650	1	
R1,R8,R10,R16,R17, R18,R28,R29,R31,R36	RESISTOR	4.7K Ω 1/4W, 5%	RD-4K472J-	10	
R7	RESISTOR	4.7 Ω , 1/4W, 5%	RD-4K472J-	1	ROTISSERIE
R30	RESISTOR	4.7K Ω , 1/4W, 5%	RD-4K472J-	1	SLOW ACTING
R2	RESISTOR	4.7K Ω , 1/4W, 5%	RD-4K331J-	1	
R5	RESISTOR	330 Ω , 1/4W, 5%	RD-4K331J-	1	
R4	RESISTOR	1M Ω , 1/4W, 5%	RD84K105J-	3	
R19,R20,R24,R27,R33	RESISTOR	1K Ω , 1/4W, 5%	RD-4K102J-	3	
R3	RESISTOR	1K Ω , 1/4W, 5%	RD-4K102J-	1	
R12	RESISTOR	10K Ω , 1/4W, 5%	RD-4K103J-	1	
R13,R15,R35	RESISTOR	100K Ω , 1/4W, 5%	RD-4K104J-	3	
R40,R42,R43,R44	RESISTOR	27 Ω , 1/4W, 5%	RD-4K270J-	4	
R32	RESISTOR	27 Ω , 1/4W, 5%	RD-4K270J-	1	ROTISSERIE
R39	RESISTOR	27 Ω , 1/4W, 5%	RD-4K270J-	1	SLOW ACTING
R34	RESISTOR	5.1K Ω , 1/4W, 5%	RD-4K512J-	1	
R41	RESISTOR	51 Ω , 1/4W, 5%	RD-4K510J-	1	
R25, R26, R37	RESISTOR	100 Ω , 1/4W, 5%	RD-4K101J-	1	
R38	RESISTOR FUSIBLE	1 Ω , 1/2W, 5%	RF-2Z109J-	1	
R21, R22	RESISTOR	200 Ω , 1/4W, 5%	RD-4K201J-	2	
R14	RESISTOR METAL FILM	13K Ω , 1/4W, 1%	RN-4K1302F	1	
R23	RESISTOR METAL FILM	150K Ω , 1/4W, 1%	RN-4K1503F	1	
R11	RESISTOR M-OXIDE	2 Ω , 1W, 5%	RS01Y020J-	1	
D1,D6,D10,D11,D12,D13	DIODE SWITCHING	1N4148	DKN4148—	6	
D8	DIODE SWITCHING	1N4148	DKN4148—	1	ROTISSERIE
D9	DIODE SWITCHING	1N4148	DKN4148—	1	SLOW ACTING
D3,D4,D5,D7	DIODE RECTIFYING	1N4002A	DKN4002A—	4	
D2	DIODE RECTIFYING	1N4002A	DKN4002A—	1	
ZD2	DIODE ZENER	MTZ224VD, 1/2W	DKTZ24D—	1	
ZD1	DIODE ZENER	MTZ3.0VB, 1/2W	DZTZ3R0B—	1	
ZD4	DIODE ZENER	MTZ39VB, 1/2W	DZTZ3R9B—	1	
ZD3	DIODE ZENER	UZ5.6VB, 1/2W	DZTZ5R6B—	1	
Q2,Q6,Q8,Q9,Q10,Q11	TRANSISTOR	KTC3198GR	TZTC3198GR	6	

SYMBOL	NAME	SPECIFICATION	PART CODE	QTY	REMARK
Q4	TRANSISTOR	KTC3198GR	TZTC3198GR	1	ROTISSERIE
Q7	TRANSISTOR	KTC3198GR	TZTC3198GR	1	SLOW ACTING
Q3	TRANSISTOR	KTA1270Y	TZTA1270Y-	1	
Q1,Q5	TRANSISTOR POWER	KTC2235A	TKTC2235Y-	2	
C13	CAPACITOR CERAMIC	1000pF, 50V, K	CCKB1H102K	1	AXIAL
C11,C14	CAPACITOR CERAMIC	0.033uF	CCXF1H333Z	1	
C1,C3,C4,C5,C6,C7,C12	CAPACITOR CERAMIC	0.1uF, 50V, Z	CCKF1H104Z	7	AXIAL
C2,C8	CAPACITOR CERAMIC	15pF, 50V	CXCH1H150J	2	
C9,C10	CAPACITOR CERAMIC	0.01uF, 50V	CCXF1H103Z	2	
EC4	CAPACITOR ELECTRO.	2200uF, 25V	CEXF1E222V	1	
EC3, EC5	CAPACITOR ELECTRO.	220uF, 50V	CEXF1H221V	2	
EC2	CAPACITOR ELECTRO.	10uF, 50V	CEXE1H100A	1	
FC1	CAPACITOR ELECTRO.	1uF, 50V	CEXE1H109A	1	
CA1	CAPACITOR ARRY	B5 102M, 2. 54MM	CN5XB-102M	1	
BZ2	BUZZER	BQM-12	9910Z00100	1	
CR1	RESONATOR	HC49U, 4. 194304MHz	5XE4R1943F	1	
CN1	CONNECTOR FILM	86749-910	441M367050	1	
CN2	CONNECTOR WAFER	5267-02A	4076122010	1	
CN4	CONNECTOR WAFER	YW025-05	4076131050	1	
CN3	CONNECTOR WAFER	5267-04A	4076122040	1	
DP1	DIGITRON	SVM-5MS06	DSVM5MS06-	1	
J1,J2,J3	WIRE COPPER	1/0.52 TIN COATING	85801052GY	3	
EJ1	WIRE EARTH	UL1015 #22 GREEN	3512780000	1	
SWITCH MEMBRANE	MEMBRANE	KOC-960POS	3518505740	1	
SWITCH MEMBRANE	MEMBRANE	KOC-960PBS	3518505940	1	ROTISSERIE
HOLDER VFD	HOLDER VFD		3513001400	1	
RY3,RY4,RY5,RY6	RELAY	G5J-1-TP-M-DT(12V)	5SC0101112	4	
RY1	RELAY	G5J-1-TP-M-DT(12V)	5SC0101112	1	ROTISSERIE
RY2	RELAY	G5J-1-TP-M-DT(12V)	5SC0101112	1	SLOW ACTING
SW2	SWITCH ROTARY	SDB161PVB17F-1-2-36-36PC (PITCH 5)	5S10109001	1	
IC1	IC MICOM	HD404338S	147S961G00	1	