

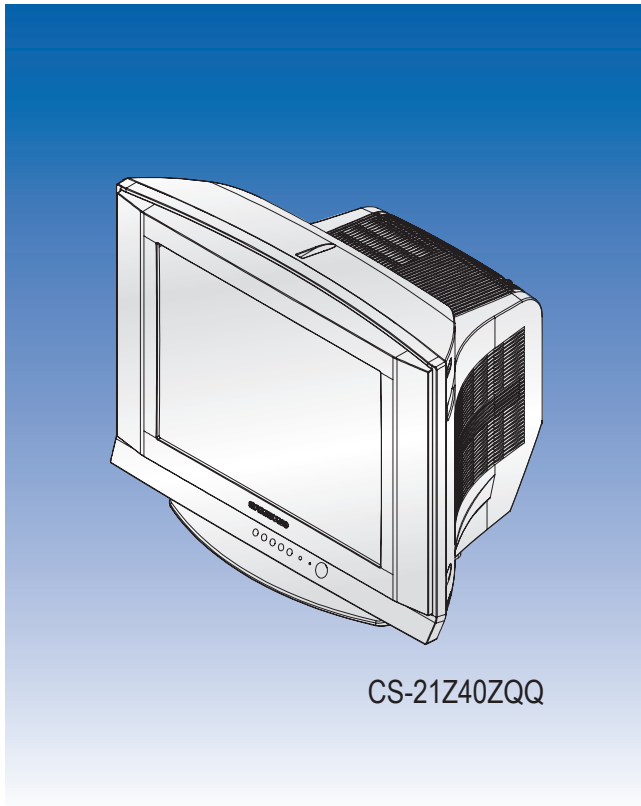


# COLOR TELEVISION RECEIVER

Chassis : S16D(P)\_TOMORROW  
Model : CS21Z40ZQCXBWT

# ***SERVICE*** Manual

## COLOR TELEVISION RECEIVER

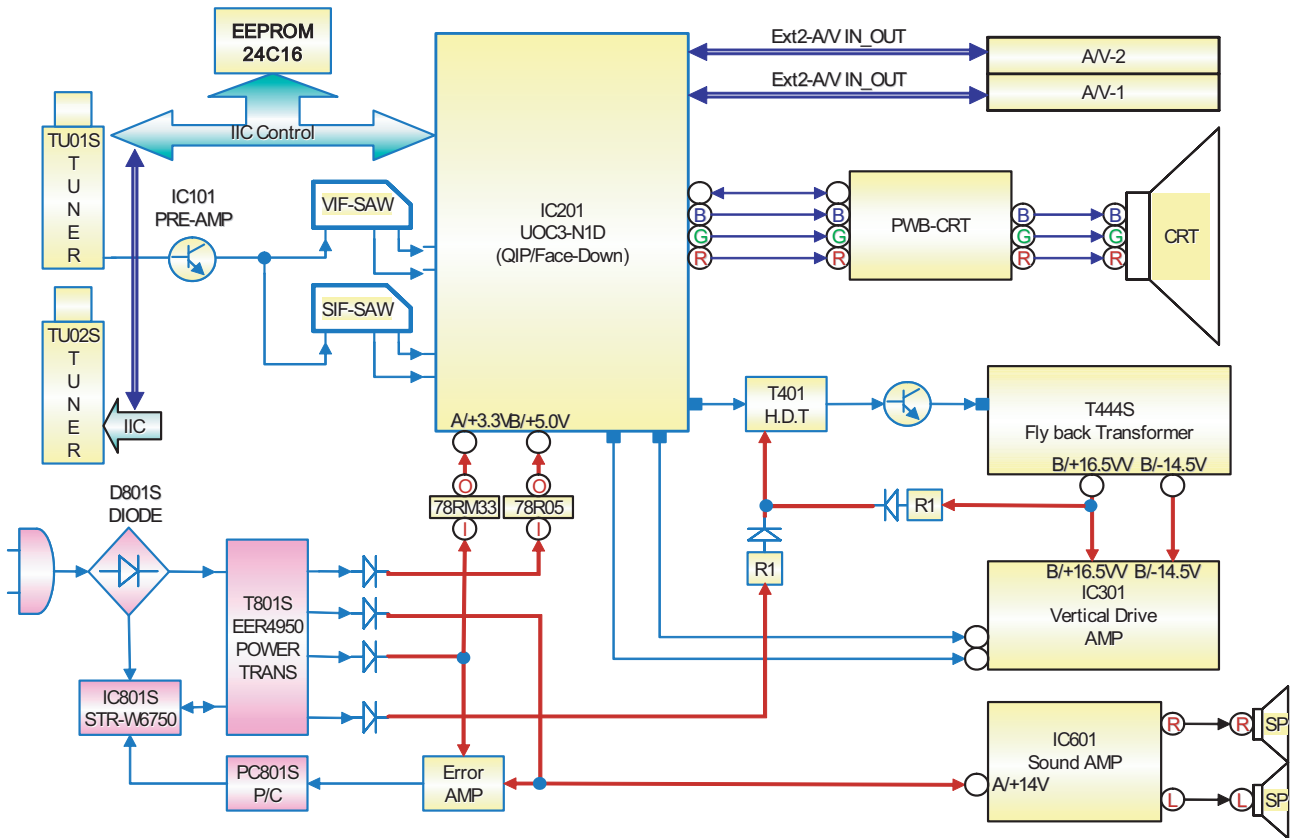


## FEATURES

- SLIM FIT CRT
- Multi Wide System
- LNA Plus(Low Noise Amplifier)
- Turbo Plus
- Low Stand-By Power Wattage
- SOUND Equalizer
- 1-Tuner PIP(option)

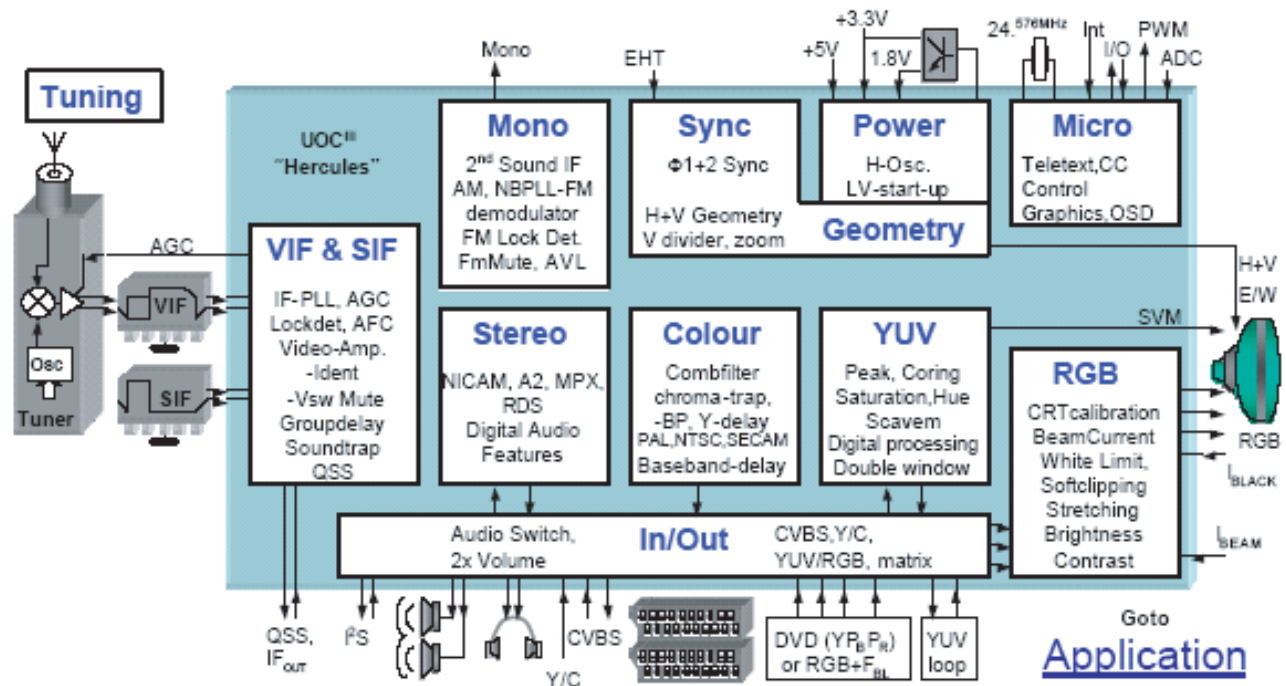
# 7. Block Diagram

## 7-1 Overall Block Diagram



## 7-2 Partial Block Diagram

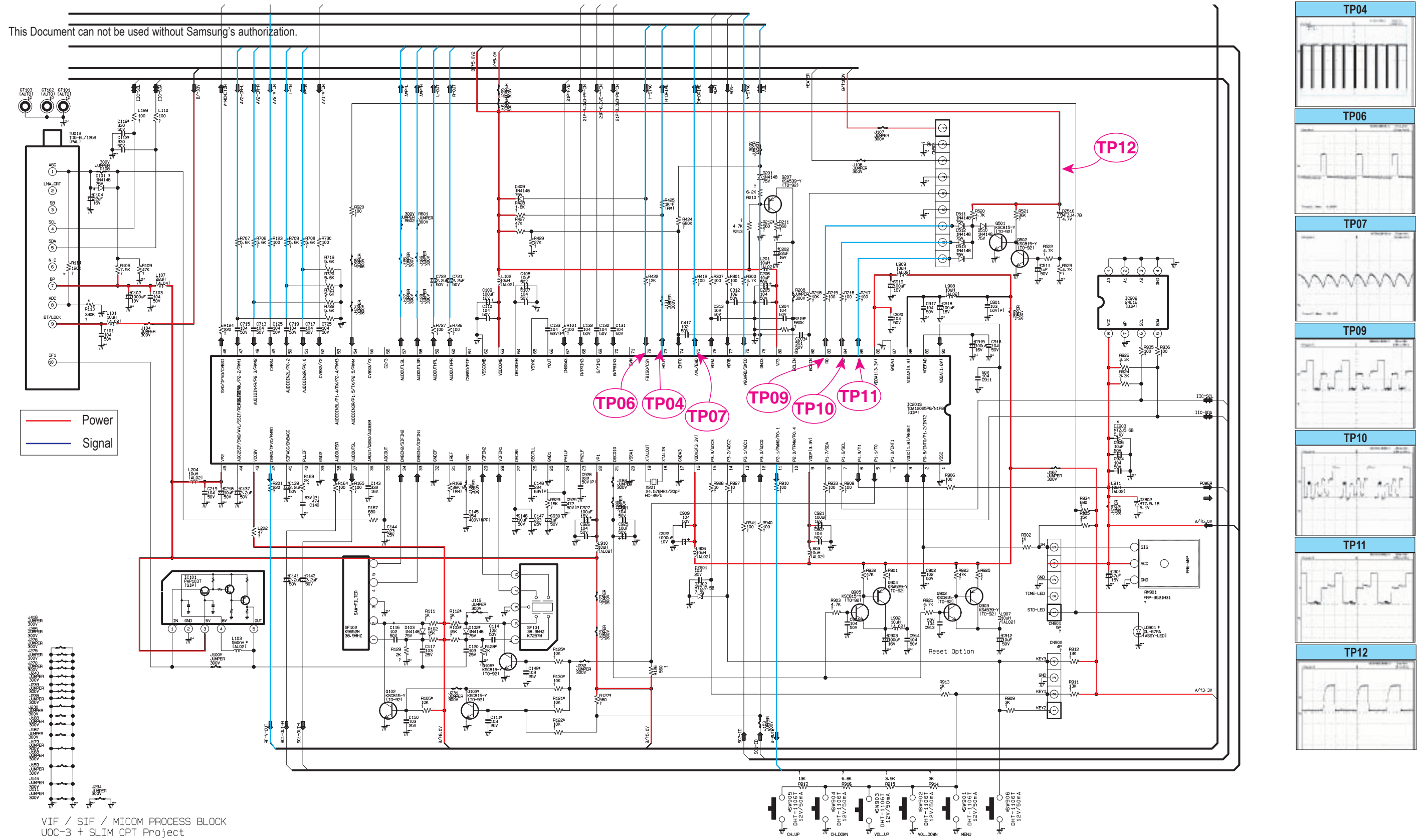
### 7-2-1 Functional blocks UOCIII



# 10. Schematic Diagram

## 10-1 MAIN

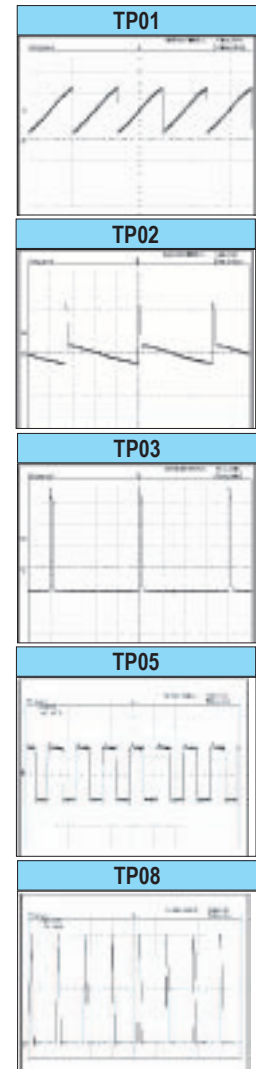
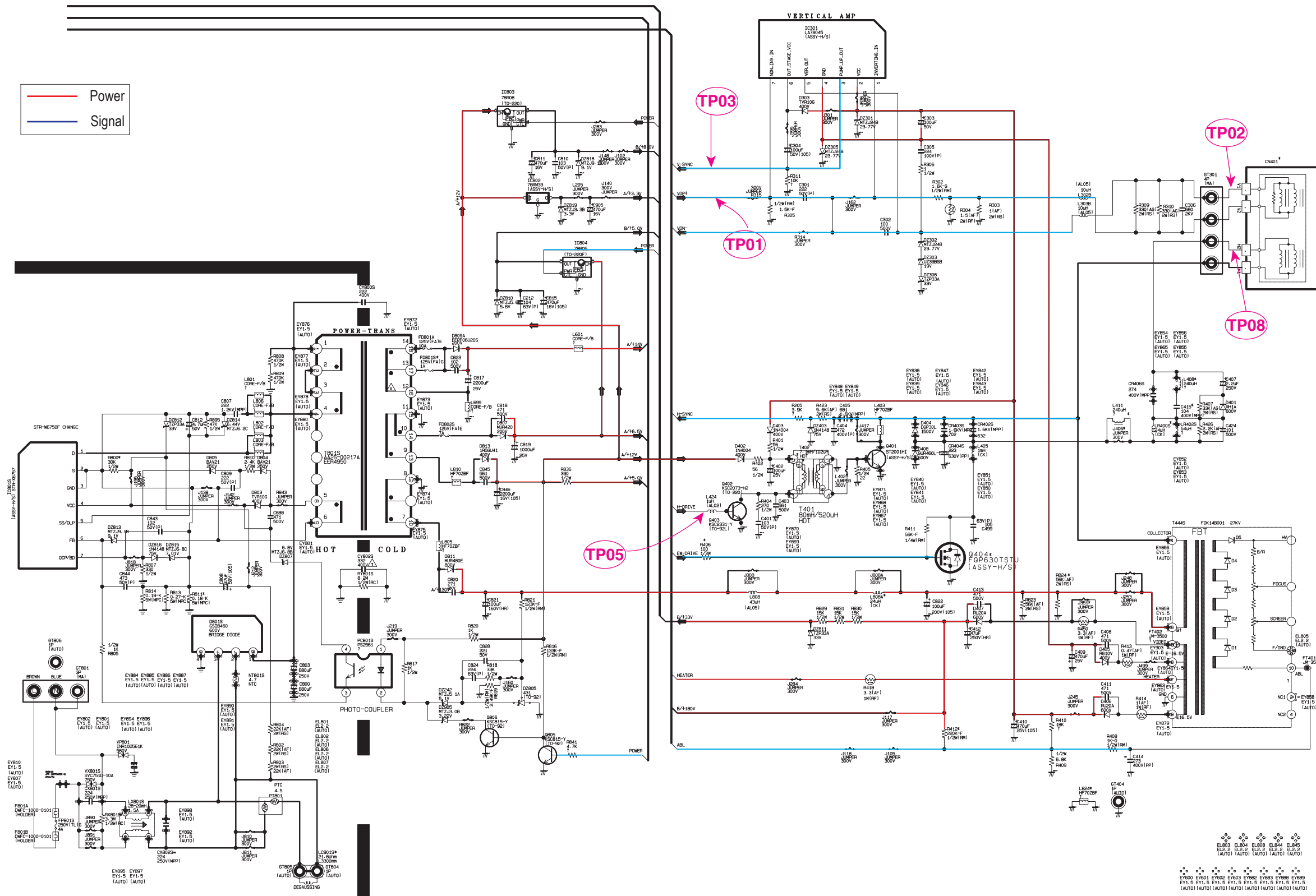
This Document can not be used without Samsung's authorization.



VIF / SIF / MICOM PROCESS BLOCK  
UOC-3 + SLIM CPT Project

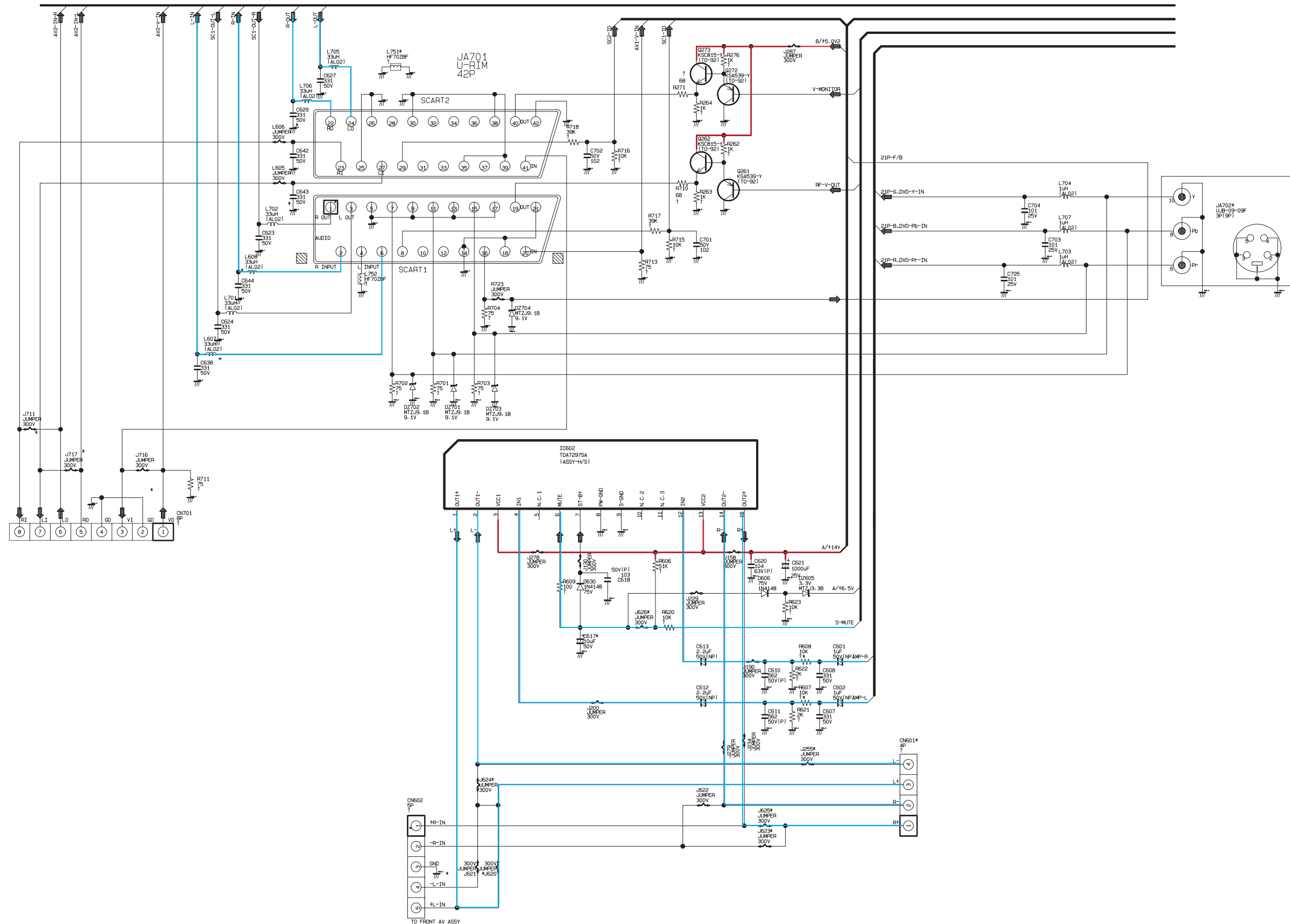
# 10-2 POWER

This Document can not be used without Samsung's authorization.



### 10-3 SOUND

This Document can not be used without Samsung's authorization.



### 10-4 CRT

This Document can not be used without Samsung's authorization.

