

REMARK:

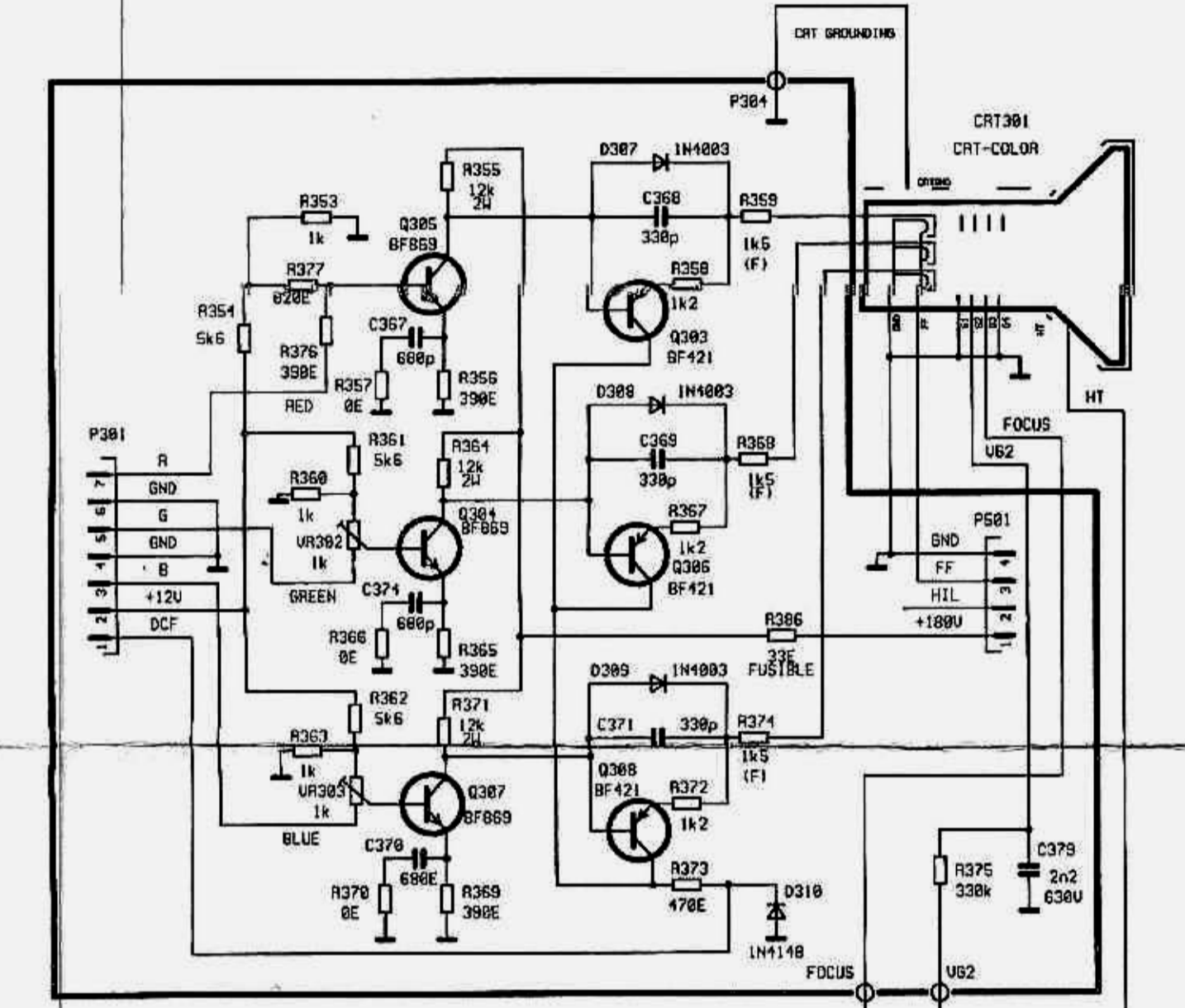
CONTROL RANGE TABLE

	MIN.	MAX.	CENTER
CONT.	2.8U	4.0U	"
BRI.	0.9U	2.4U	"
SAT	2.1U	3.3U	"
HUE	1.5U	3.9U	2.8U

	R0	R1	R2
PCF8581	7b	8a	9b
PCF8582	7a	8b	9b

SCHEMATIC NOTES:

- RESISTANCE IS SHOWN IN OHMS  $R=1,000$   
 $M=1,000,000$
- CAPACITANCE IS SHOWN IN  $\mu F$   $nF$   $pF$   
T TANTALUM CAPACITOR  
M FILM CAPACITOR
- STANDARD FILM RESISTOR (SFR25)
- VOLTAGE READ WITH DIGITAL VOLTMETER FROM POINT INDICATED TO CHASSIS GROUND USING A NORMAL PICTURE
- VOLTAGE READINGS SHOWN ARE NORMAL VALUES AND MAY VARY  $\pm 20\%$  (EXCEPT H.V.)
- SCHEMATIC SUBJECT TO CHANGE WITHOUT NOTICE



IC101

TUNING STEP DELAY	PIN16	PIN17
40 ms	OFF	ON
52 ms	OFF	OFF
61 ms	ON	OFF
83 ms	ON	ON

"OFF - OPTION DIODE ABSENT"  
"ON - OPTION DIODE PRESENT"

# AXXION

## SCHEMAT IDEOWY OTVC 20", 21"

### RC4020, RC4120, RC4021