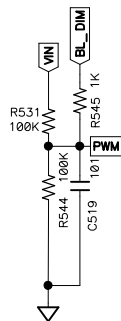
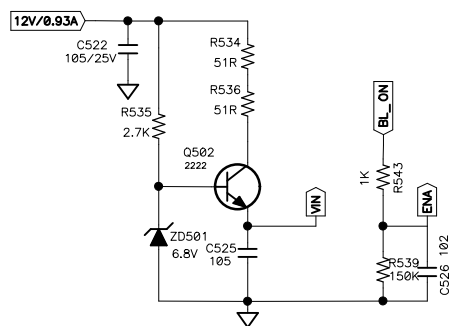
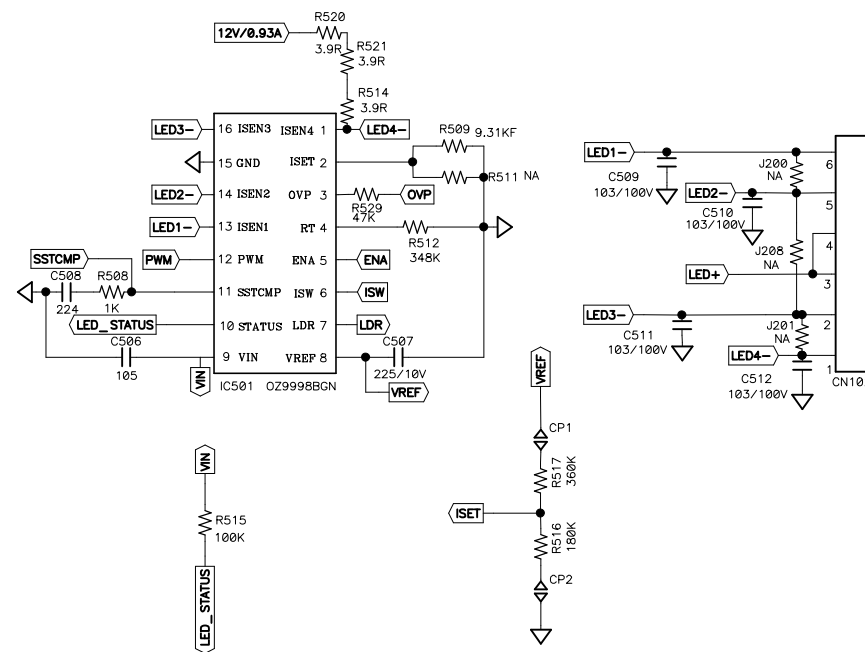
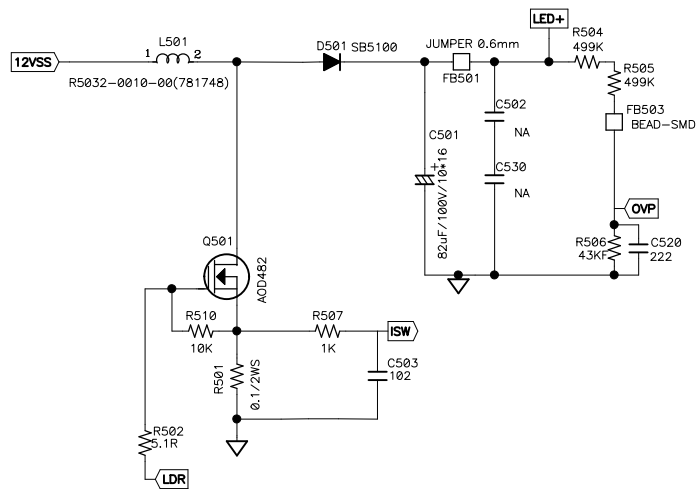


* : OPTION

| TOLERANCES +/- | | |
|----------------|---------|------|
| ANGULAR | LINEAR | |
| 0.5X | 0~6 | 0.10 |
| | 6~30 | 0.20 |
| | 30~80 | 0.25 |
| | 80~180 | 0.30 |
| | 180~315 | 0.50 |
| | 315~800 | 0.8 |

| | | | | | | | | | | | |
|--------------|--------------------------|-----------------------|-----------------------|---------------|--------------------------|-----------------|-------|---|-------|-------------|------------|
| | LITE-ON TECHNOLOGY CORP. | Approved: Ricky Liu. | DESCRIPTION: AD POWER | PART NO.: | USED ON: UE-3470-1SUN-LF | | | | | | |
| | 光寶科技股份有限公司 | Designed: Rossi Chiu. | | | | | | | | | |
| DO NOT SCALE | | Drawn: Drois Chen. | Material: | SHEET: 1 OF 2 | 3D FILE: | | | | | | |
| | UNITS: mm | A4 SIZE | DATE: 2011.12.15 | Treatment: | DWG NO.: | UE-3470-1SUN-LF | REV.: | A | REV.: | INITIAL | 2011/12/15 |
| | | | | | | | | | | DESCRIPTION | DATE |



| TOLERANCES +/- | | |
|----------------|---------|------|
| ANGULAR | LINEAR | |
| 0.5X | 0~6 | 0.10 |
| | 6~30 | 0.20 |
| | 30~80 | 0.25 |
| | 80~180 | 0.30 |
| | 180~315 | 0.50 |
| | 315~800 | 0.8 |

| | | | | | | | | | | | | | |
|------------------------|--------------------------|-----------|-------------|--------------|------------|-----------|-----------------|-----------------|---|------|-------------|------------|-----|
| LITEON | LITE-ON TECHNOLOGY CORP. | Approved: | Ricky Liu | DESCRIPTION: | LED POWER | PART NO.: | USED ON | UE-3470-1SUN-LF | | | | | |
| | 光寶科技股份有限公司 | Designed | Rossi Chiu | | | | | | | | | | |
| DO NOT SCALE | | Drawn | Drois Chen. | Material: | | SHEET | 2 OF 2 | 3D FILE | | | | | |
| THIRD ANGLE PROJECTION | UNITS: mm | A4 SIZE | DATE | 201112.15 | Treatment: | DWG NO. | UE-3470-1SUN-LF | REV. | A | REV. | INITIAL | 2011/12/15 | |
| | | | | | | | | | | | DESCRIPTION | DATE | APP |