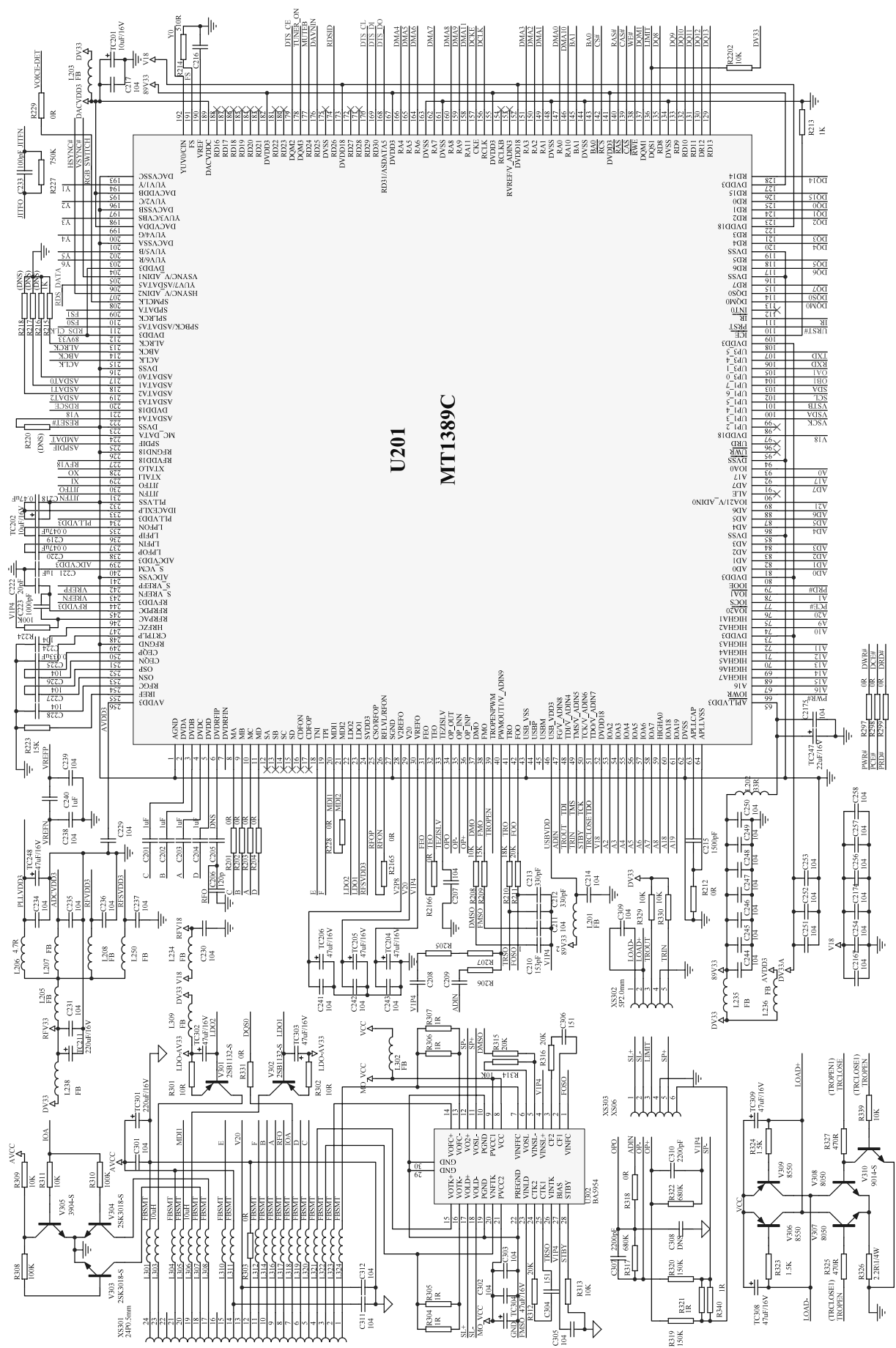
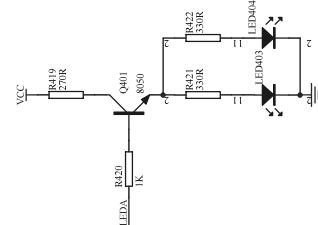
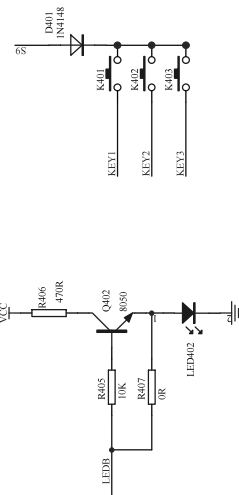
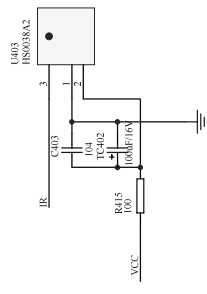
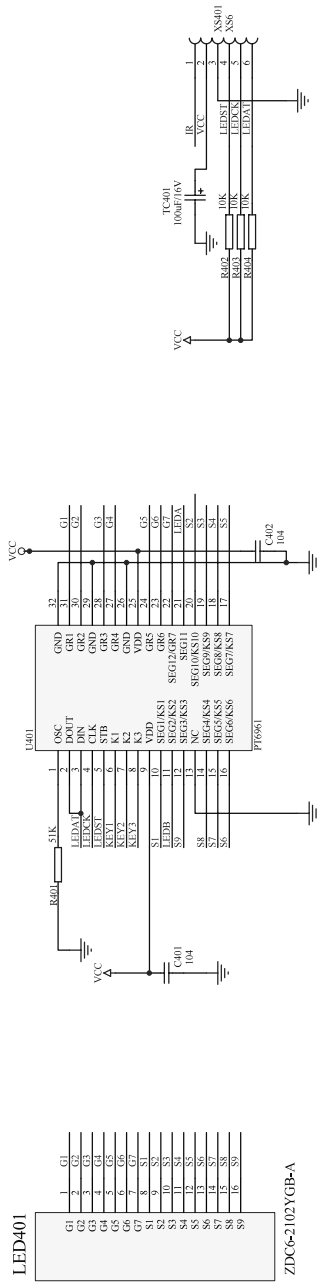


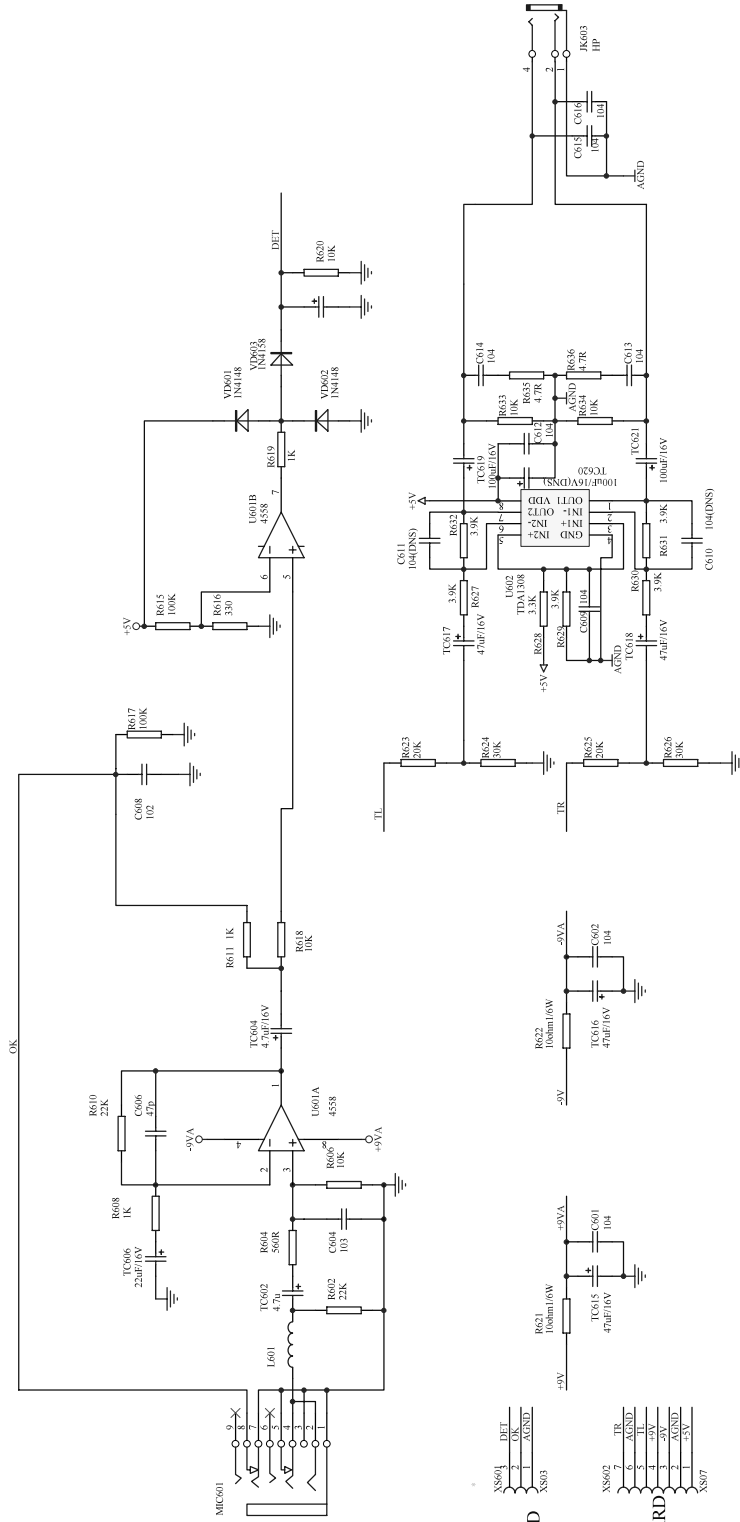
5.1.1 MPEG&SERVO 1 BOARD



5.1.5 KEY SCAN BOARD



5.1.1.6 MIC BOARD



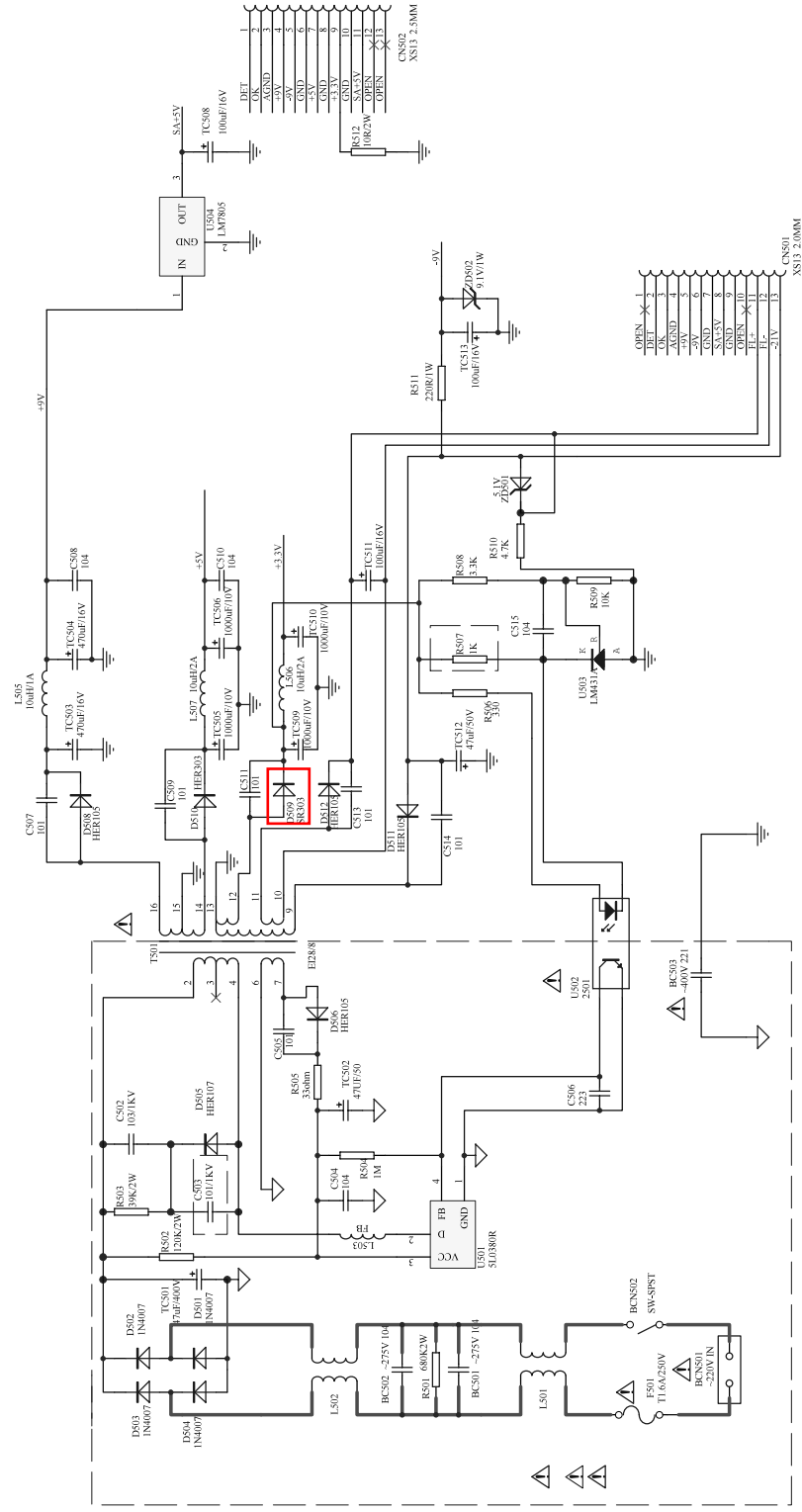
FROM MPEG BOARD

- XS604 1 DET
- 2 OK
- 3 AGND
- XS605 1
- XS606 2

TO POWER AND AV BOARD

- XS602 1 TR
- 2 AGND
- 3 TL
- 4 +5V
- 5 -5V
- 6 AGND
- 7 +5V
- 8 -5V
- XS607 1
- XS608 2

5.1.1.7 POWER BOARD



This document was created with Win2PDF available at <http://www.daneprairie.com>.
The unregistered version of Win2PDF is for evaluation or non-commercial use only.