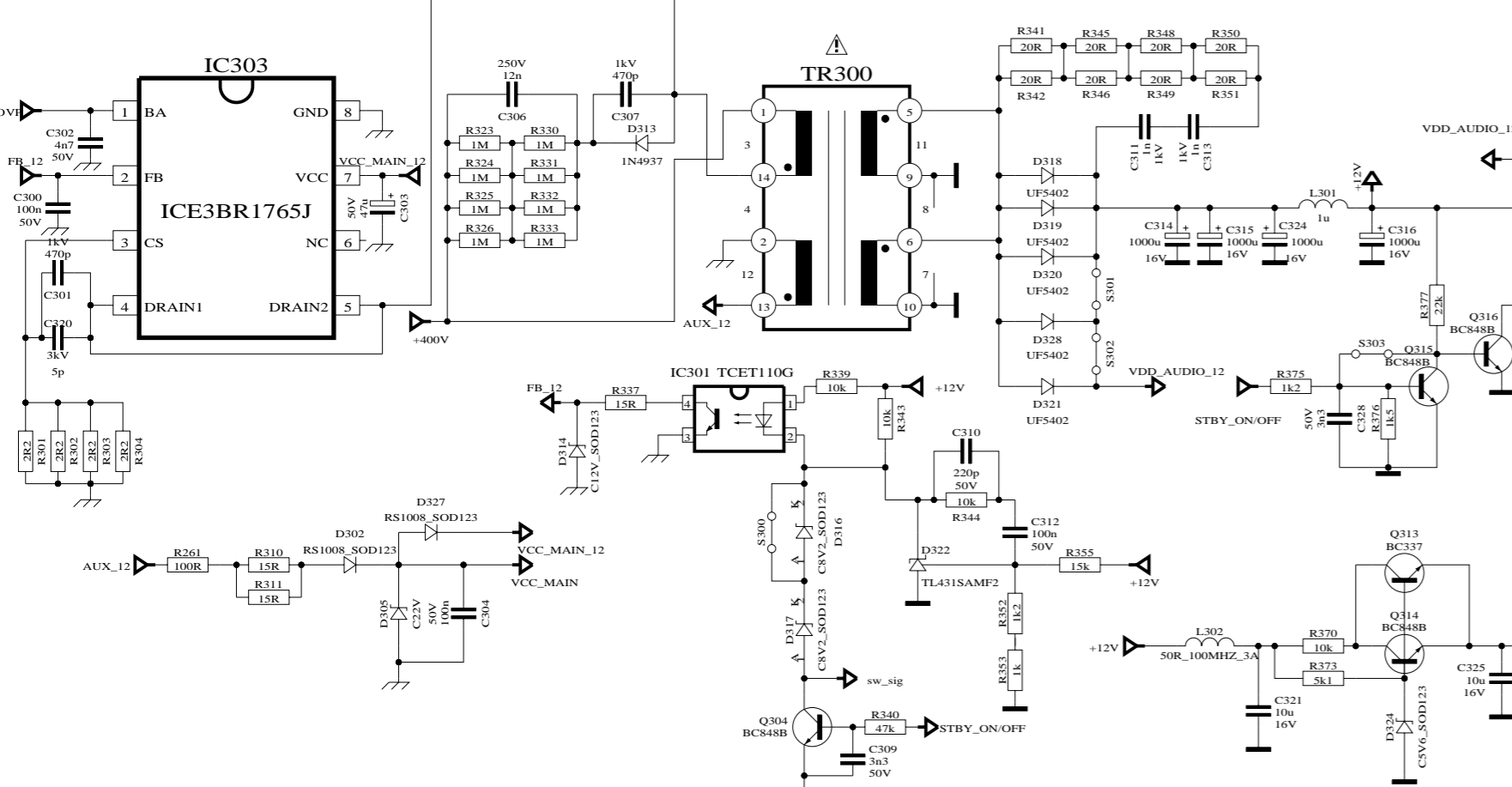
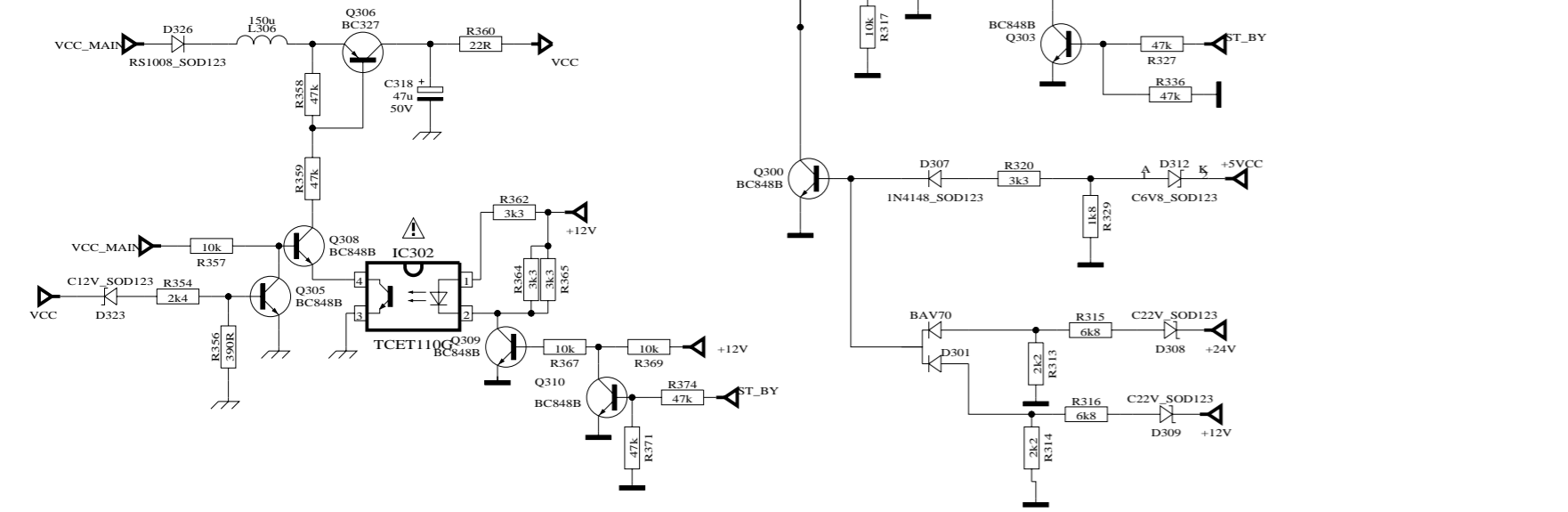
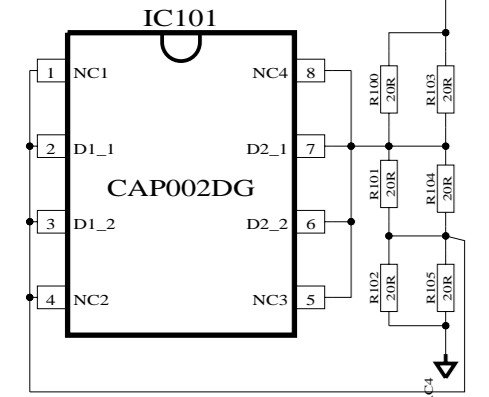
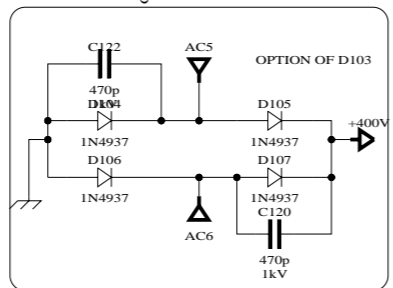
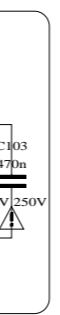
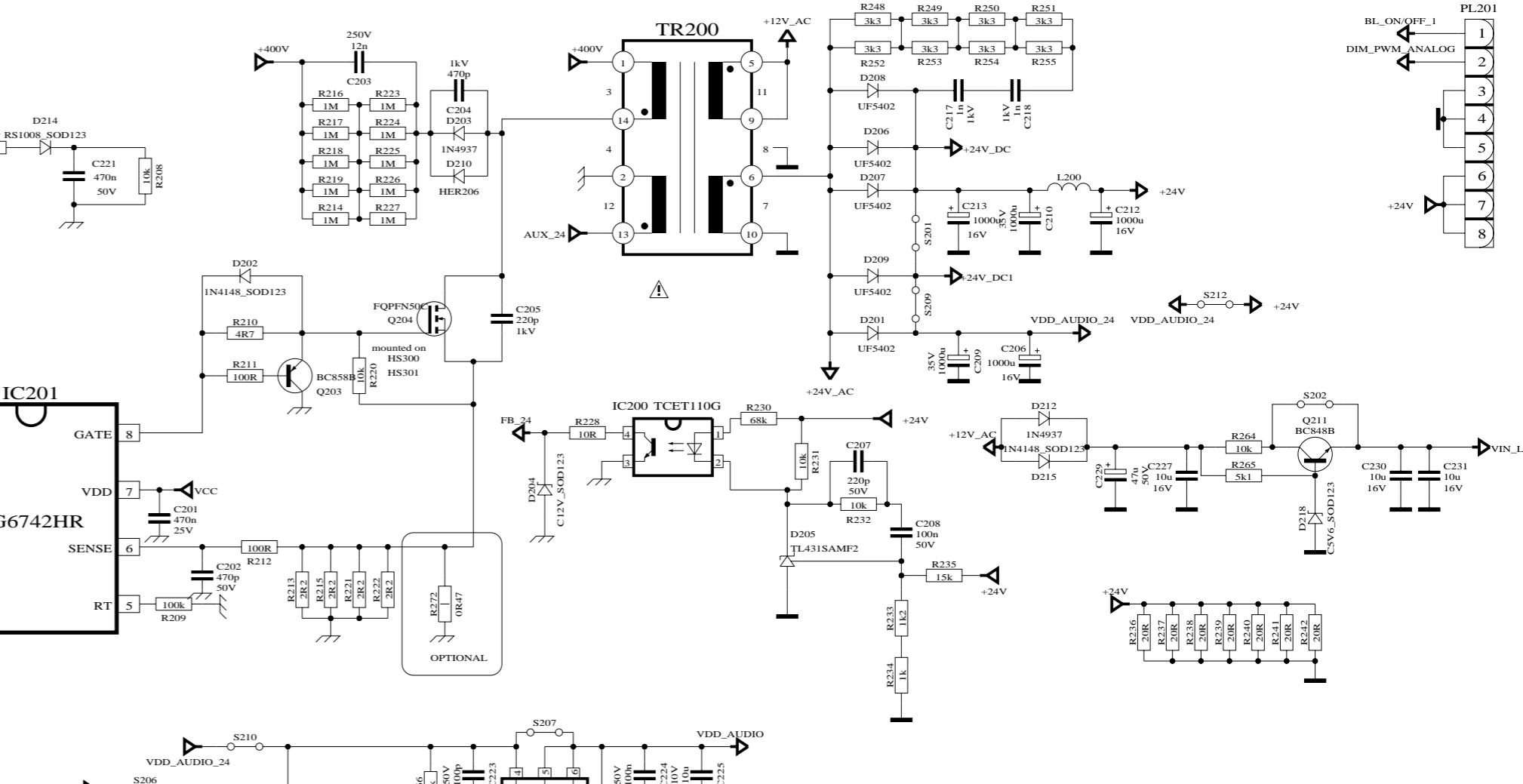
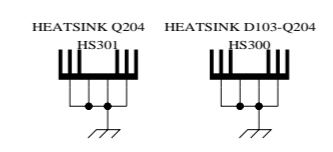
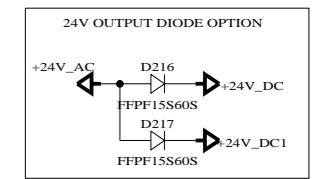
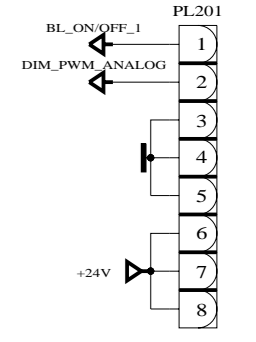
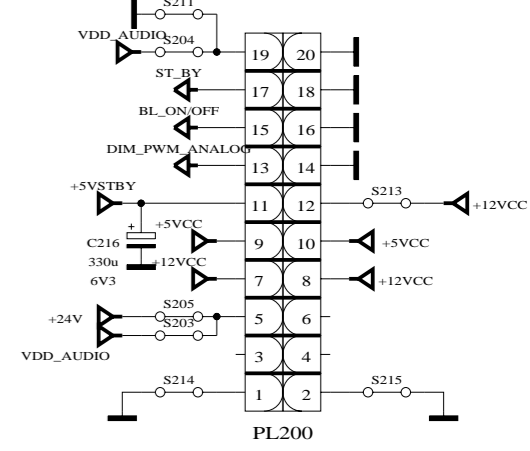
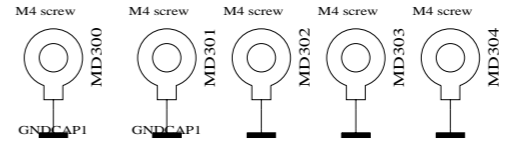
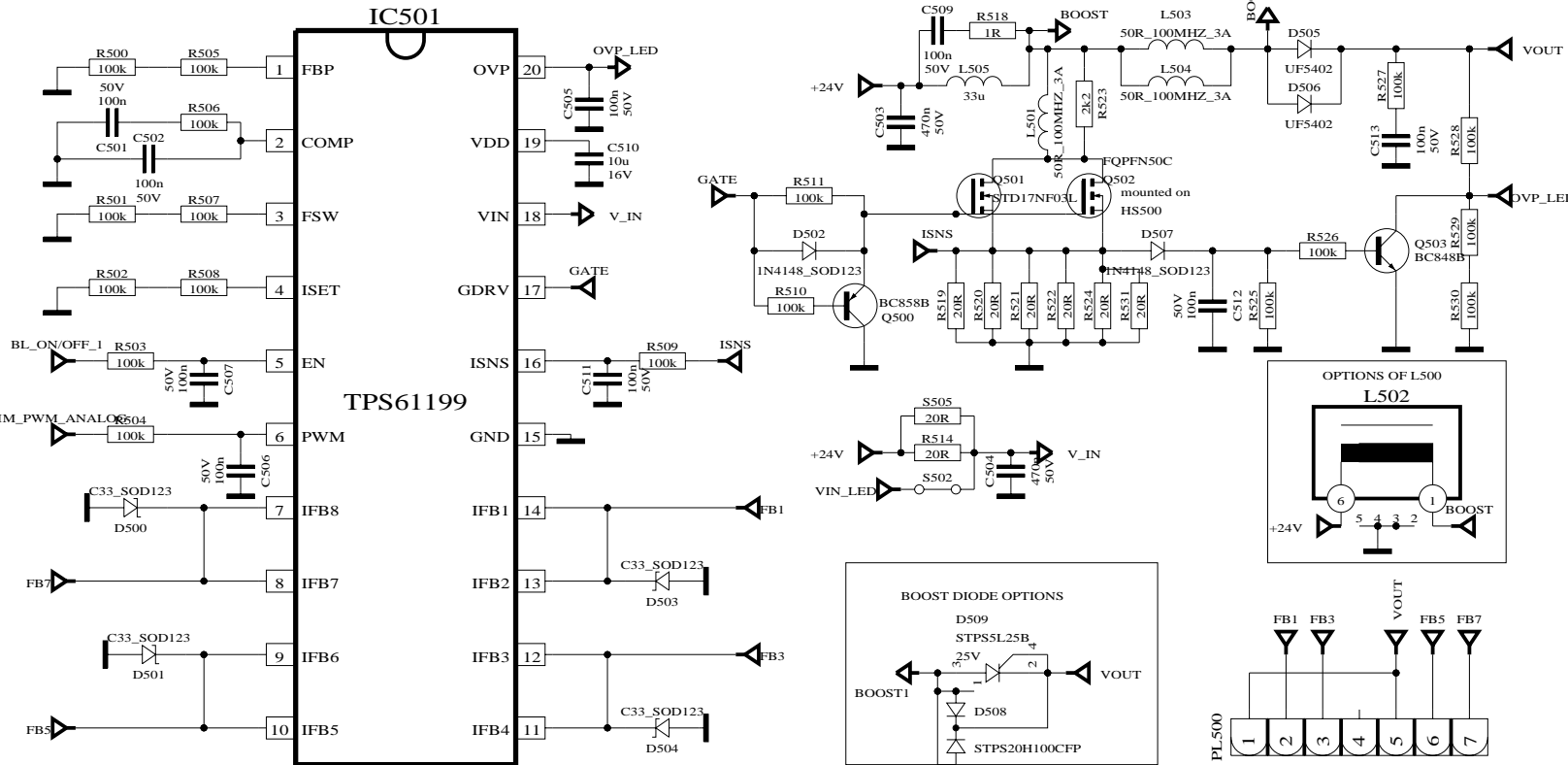


VESTEL 26"~40"LED SLIM INTEGRATED POWER SUPPLY

17IPS19			
Ver. 4	SMPS Group	DATE 11-01-2012	Sheet 1/2





VESTEL 26"~40"LED SLIM INTEGRATED POWER SUPPLY

17IPS19

Ver.	SMPS Group	DATE	Sheet
4		11-01-2012	2/2