

AV RECEIVER

Service Manual

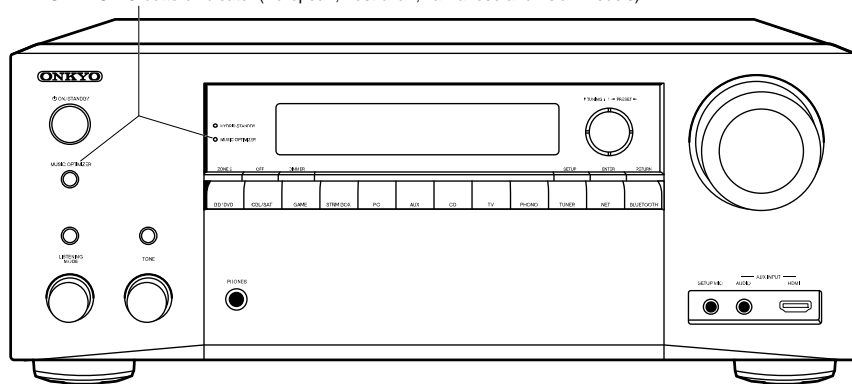
TX-NR676/NR676E

- ✓ Pre Issue (2017-Apr)
- Final Issue (2017-Jul)


CONTENTS

- ✓ [Title Page \(This page\)](#)
- ✓ [Note for Parts List](#)
- ✓ [Panel](#)
- ✓ [Reset](#)
- ✓ [Amp Diag Mode after Abnormal Conditions](#)
- ✓ [Wi-Fi 5GHz Setting](#)
- ✓ [Firmware](#)
- ✓ [Model and Destination](#)
- ✓ [Check Idling Current](#)
- ✓ [Hookup and Setting](#)
- Trouble Shoot
- Disassembly
- ✓ [Schematic Diagram](#)
- ✓ [Exploded View](#)
- ✓ [Appendix](#)

MUSIC OPTIMIZER button/indicator (North American models)
PURE AUDIO button/indicator (European, Australian, Taiwanese and Asian models)



SAFETY-RELATED COMPONENT WARNING!! :

COMPONENTS IDENTIFIED BY MARK  ON THE SCHEMATIC DIAGRAM AND IN THE PARTS LIST ARE CRITICAL FOR RISK OF FIRE AND ELECTRIC SHOCK. REPLACE THESE COMPONENTS WITH ONKYO PARTS WHOSE PART NUMBERS APPEAR AS SHOWN IN THIS MANUAL. MAKE LEAKAGE-CURRENT OR RESISTANCE MEASUREMENTS TO DETERMINE THAT EXPOSED PARTS ARE ACCEPTABLY INSULATED FROM THE SUPPLY CIRCUIT BEFORE RETURNING THE APPLIANCE TO THE CUSTOMER.

Caution:

If Main or Primary fuse enters in the Neutral line of AC Mains supply or if there is possibility of Main or Primary Fuse entering in the Neutral line of AC Mains supply, then AC Mains supply must be disconnected to de-energize the circuit.



This service manual is intended for qualified service technicians; it is not meant for the casual do-it-yourselfer. Qualified technicians have the necessary test equipment and tools, and have been trained to properly and safely repair complex products such as those covered by this manual.

Improperly performed repairs can adversely affect the safety and reliability of the product and may void the warranty. If you are not qualified to perform the repair of this product properly and safely, you should not risk trying to do so and refer the repair to a qualified service technician.

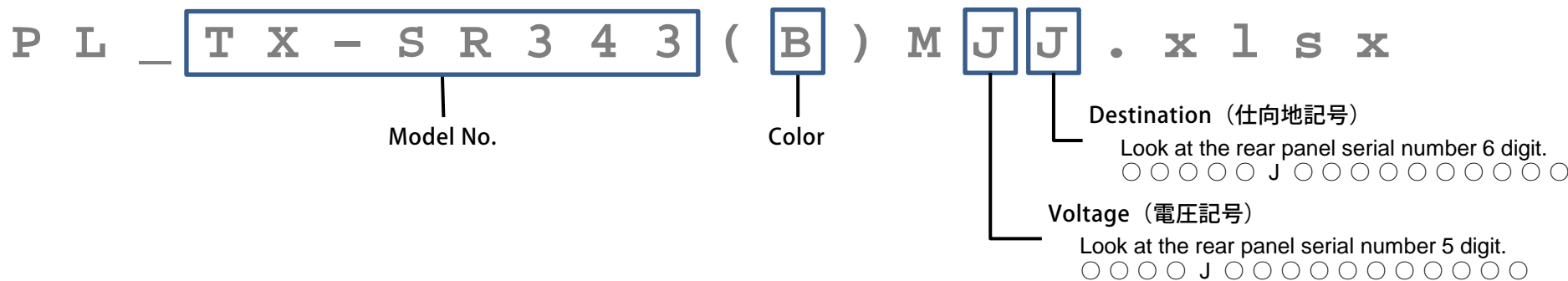
ONKYO®

Published by Onkyo & Pioneer Corporation Global CS Department

File Name of Parts List File (EXCEL File)

Note for Parts List

When parts list is EXCEL file, please refer to the following explanation about file name.



Color (色記号)			
(X)	Not related to color		
(B)	Black	(M)	Wood
(BR)	Brown	(O)	Orange
(C)	Cherry	(P)	Pink
(G)	Gold	(R)	Red
(GR)	Green	(S)	Silver
(H)	Gray	(V)	Violet
(K)	Black	(W)	White
(L)	Blue	(Y)	Yellow
(LB)	Light Blue		

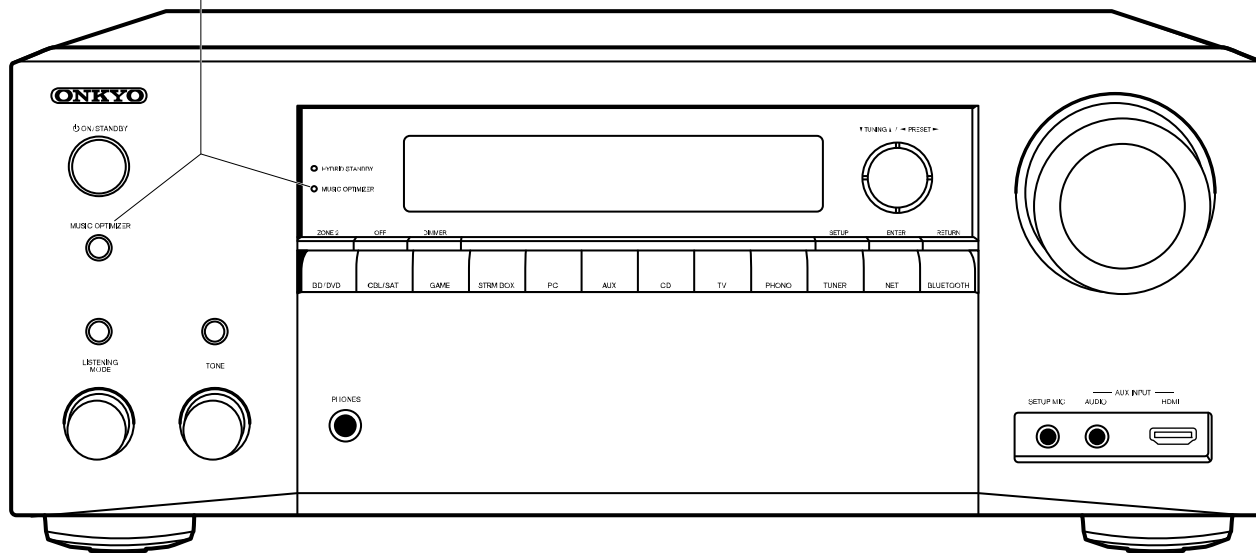
Voltage (電圧記号)	
D	120V AC
G	220~230V
H	220~230/240V
J	100V AC
M	220~240V AC
P	230V AC
U	100~240V AC
V	110~240V
W	120V/220~240V
Z	※1
Speaker System (without AMP.) :	
0	Passive Subwoofer
F	Front Speaker
C	Center Speaker
R	Rear Speaker
B	Back Speaker

Destination (仕向地記号)			
A	Australia		
B	United Kingdom	Speaker System (without AMP.) :	
C	North American	L	Left channel
D	USA	R	Right channel
F	Taiwan	0	Center channel
J	Japan		
K	Korea		
L	Russia		
P	Europe		
Q	Hong Kong		
R	China		
S	Brazil		
T	Thai		
U	Worldwide		

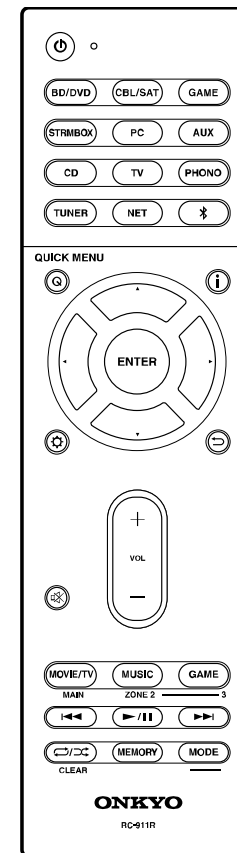
※1 There is a charge function and a power supply (adapter) is needed, but an adapter isn't bundled.
(充電機能があり、電源 (アダプタ) を要するが、アダプタを付属しないもの)

Front Panel

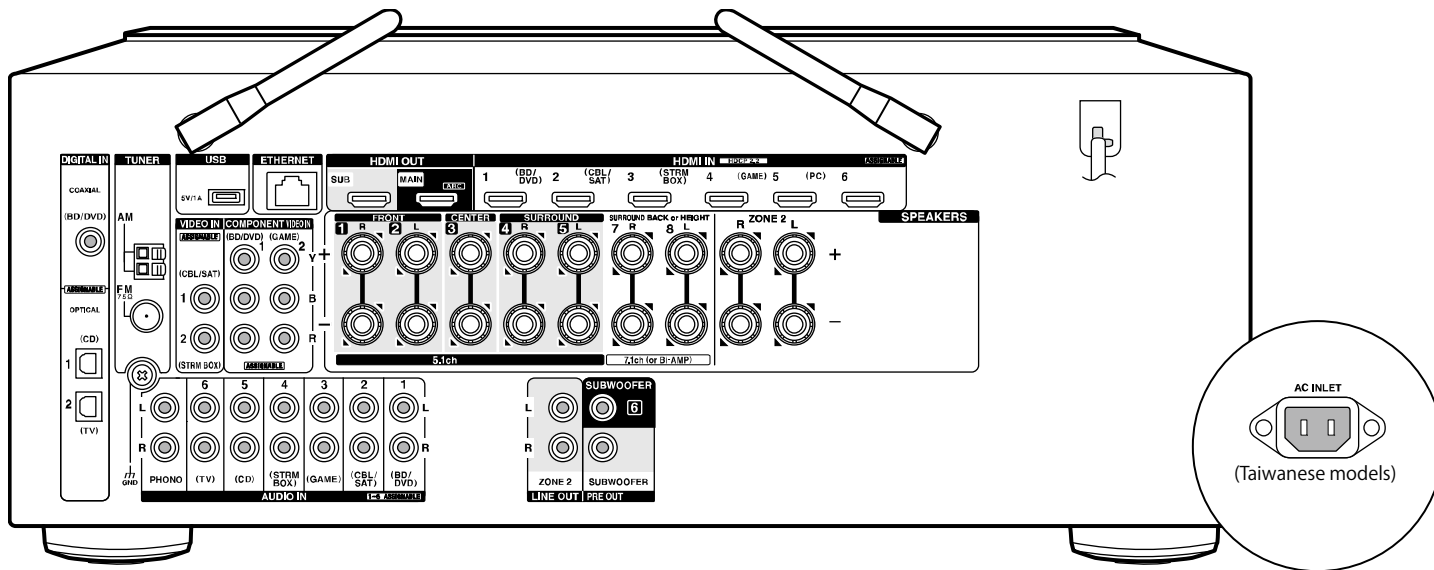
MUSIC OPTIMIZER button/indicator (North American models)
 PURE AUDIO button/indicator (European, Australian, Taiwanese and Asian models)



Remote Control Unit
 RC-911R



Rear Panel



Accessory

1. Remote controller (RC-911R) (1)
2. Batteries (AAA/R03) (2)
3. Speaker setup microphone (1)
 - Used during Initial Setup.
4. Indoor FM antenna (1)
5. AM loop antenna (1)
6. Power cord (For Taiwanese models only) (1)

【STORE】

[SETUP] + [ENTER] x 2

【RESET】

1. Volume 40
2. [TONE] + [ON/STANDBY] → [RETURN] x 2
3. Unplug the power cord from AVR after the disappeared "All Clear" of FL tube and AVR goes standby.

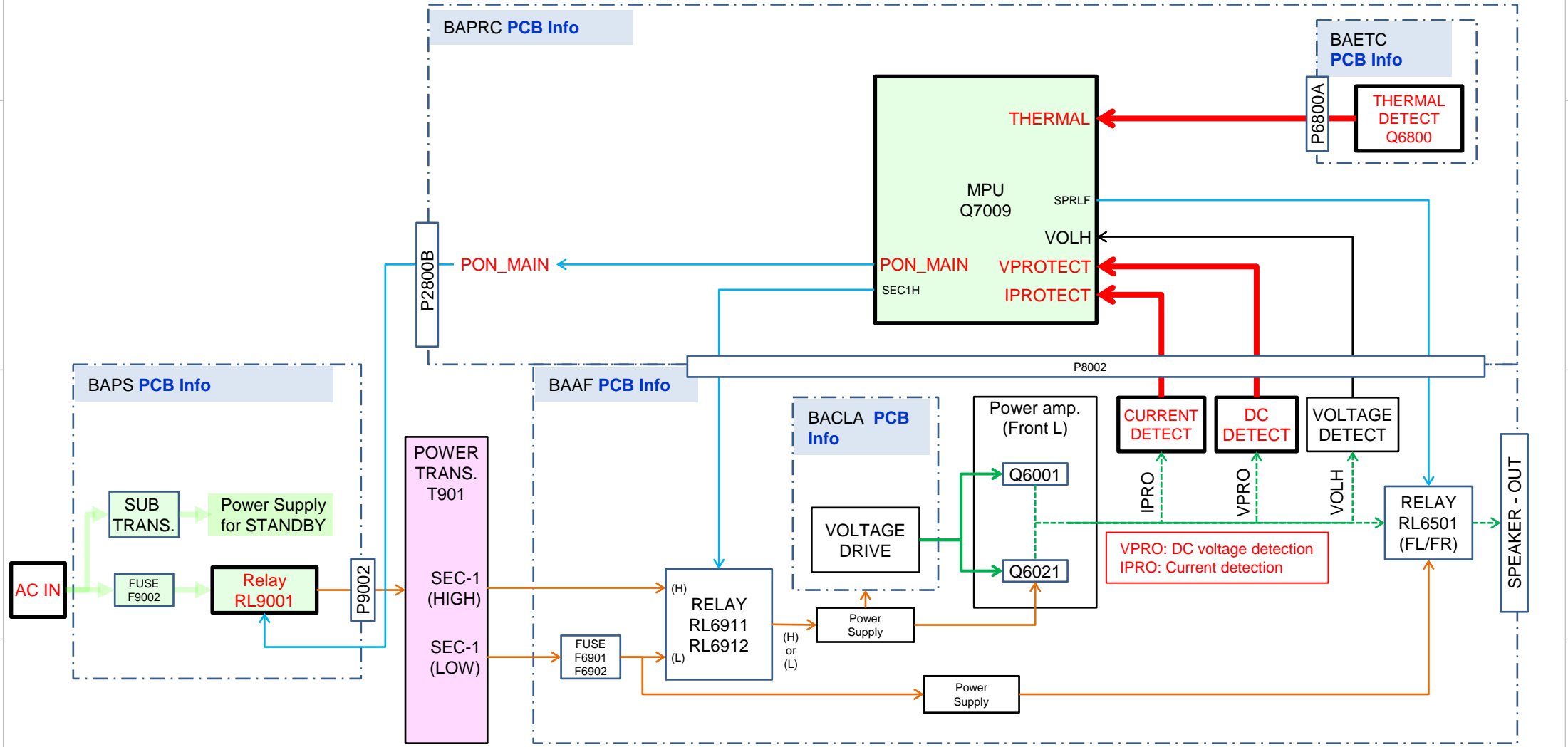
【RECALL】

[SETUP] + [RETURN] x 2

Protect Mode

Amp Diag Mode after Abnormal Conditions

The unit goes into standby automatically when detect the abnormal condition of thermal detection, dc voltage detection or current detection. (e.g. TX-NR555 block diagram below)



BAPRC

TX-NR474	BAPRC-2387
TX-NR575E	↑
TX-8270	↑
DTM-7	↑
TX-NR575	BAPRC-2409
DRX-2.1	↑
TX-NR676	↑
TX-NR676E	↑
TX-RZ620	↑
DRX-3.1	↑
HT-R997	↑
TX-NR777	↑
TX-RZ720	↑
TX-RZ820	↑

BAAF

TX-NR474	BAAF-2388
TX-NR575E	↑
TX-8270	↑
DTM-7	↑
TX-NR575	BAAF-1979
DRX-2.1	↑
TX-NR676	↑
TX-NR676E	↑
TX-RZ620	↑
DRX-3.1	↑
HT-R997	↑
TX-NR777	↑
TX-RZ720	↑
TX-RZ820	↑

BAETC

TX-NR474	BAETC-2390
TX-NR575E	↑
TX-8270	↑
DTM-7	↑
TX-NR575	BAETC-1980
DRX-2.1	↑
TX-NR676	↑
TX-NR676E	↑
TX-RZ620	↑
DRX-3.1	↑
HT-R997	↑
TX-NR777	↑
TX-RZ720	↑
TX-RZ820	↑

BAPS

TX-NR474	BAPS-2352
TX-NR575E	BAPS-2361
TX-8270	BAPS-2399
DTM-7	BAPS-2399
TX-NR575	BAPS-1984
DRX-2.1	BAPS-2000
TX-NR676	BAPS-1984
TX-NR676E	BAPS-1984
TX-RZ620	BAPS-1984
DRX-3.1	BAPS-2000
HT-R997	BAPS-1984
TX-NR777	BAPS-1984
TX-RZ720	BAPS-1984
TX-RZ820	BAPS-2031

BACLA

TX-NR474	BACLA-2351
TX-NR575E	BACLA-2360
TX-8270	BACLA-2398
DTM-7	BACLA-2398
TX-NR575	BACLA-1988
DRX-2.1	BACLA-2004
TX-NR676	BACLA-1988
TX-NR676E	BACLA-1988
TX-RZ620	BACLA-1988
DRX-3.1	BACLA-2004
HT-R997	BACLA-1988
TX-NR777	BACLA-1988
TX-RZ720	BACLA-1988
TX-RZ820	BACLA-2030

BATRM

TX-NR474	BAAF-2388
TX-NR575E	↑
TX-8270	↑
DTM-7	↑
TX-NR575	BATRM-2023
DRX-2.1	↑
TX-NR676	↑
TX-NR676E	↑
TX-RZ620	↑
DRX-3.1	↑
HT-R997	↑
TX-NR777	↑
TX-RZ720	↑
TX-RZ820	↑

Self-diagnostics

This function is for avoiding the rupture of electrolytic capacitors with amplifier circuit failure during power-ON.

Operation of Self-diagnostic

Self-diagnostic will start at the timing of next power on, after goes to the protect mode by Current detection or DC voltage detection.

Only On/Standby key could work in this mode. Also remote control does not work. However, the CLEAR operation is enabled.

During Self-diagnostic, the power supply for amplifier circuit become low voltage state(SEC1-LOW), and the speaker relay will be turned off. Then, MPU will check each amplifier circuits Internally by entering the test signal (20 kHz,-20 dBFS sine wave) to each channel from DSP.

MPU will judge the amplifier circuit is good or not from VOLH value.

The normal range of VOLH value is $0.04\text{ V} < \text{VOLH} < 0.20\text{ V}$.

If VOLH value is in the out of this range, it will be judged as NG (No good).

No problem found

When protected by current detection, and no problem found, "CHECK SP WIRE" will be displayed. In this State, Only the On/Standby key is effective. And if do not anything for 3 minutes, unit goes into standby automatically.

When protected by a DC voltage detection, and no problem found, unit goes into normal operation.

Problem found

When judged as there is a problem on any channel, the information of channel that has a problem will be displayed as in the right figure.

In this State, Only the On/Standby key is effective. Also remote control does not work. If do not anything for 3 minutes, unit goes into standby automatically. This state will keep also after unit turn on/off, or AC unplugged.

the power supply for amplifier circuit become low voltage state(SEC1-LOW), and the speaker relay will be turned off.

Amp Diag Mode after Abnormal Conditions

Display of during Self-diagnostics

2 Line FL tube type

A	M	P		D	i	a	g		M	o	d	e	

1 Line FL tube type

A	M	P		D	i	a	g		M	o	d	e	
---	---	---	--	---	---	---	---	--	---	---	---	---	--

"Mode" This part display the channel which is currently checked. (E.g. "[FL]", etc.)

Display of when problem found

2 Line FL tube type

N	G		C	H	:								
			L	C	R	S	L	S	R	B	L	B	R

1 Line FL tube type

N	G	:	L	C	R	S	L	S	R	B	L	B	R
---	---	---	---	---	---	---	---	---	---	---	---	---	---

- L** → Front L channel **S L** → Surround L channel
- C** → Center channel **S R** → Surround R channel
- R** → Front R channel **B L** → Surround back L channel
- B R** → Surround back R channel

Repair Process and How to Confirm

Confirmation of the protect cause

While NG channel is displayed, You can confirm the protect cause by following the step below.

1. Press the Enter button
2. The protect cause are displayed for 5 seconds.

Please check the around of those amplifier circuit and repair it.

Clear of NG CH information

After repair, you can clear NG CH information by following the steps below.

1. Press the On/Standby key while pressing the Enter key.
2. Display as in the right figure appears.
3. Unit goes into Standby automatically after 5 seconds.

Self-diagnostic will start again at the timing of next power on.

By this, You can verify whether repair was properly or not.

If problem found after repair, please re-check the around of its circuit.

Cancel of Self-diagnostic

You can cancel this mode by clear operation (press Standby key while pressing CBL/SAT key).

After cancel this mode, receiver will be started as normal operation.

Manual Execution of Self-diagnostic

1. [DIMMER] + [ON/STANDBY] x 2

Main Firmware Version will appear on the main unit's display.

2. [SETUP] or [HOME]

[Service information](#) will appear on the main unit's display

3. [ENTER]

Display as in the right figure appears.

4. [STANDBY/ON]

Unit will go into standby.

5. [STANDBY/ON]

Unit will turn on. Then self-diagnostic will start automatically.

Amp Diag Mode after Abnormal Conditions

Protected by current detection

D E T . P R O T E C T : I

Protected by DC Voltage detection

D E T . P R O T E C T : V

Clear of NG CH information

N G C H C L E A R

Manual Execution of Self-diagnostic

A M P D I A G T E S T O N

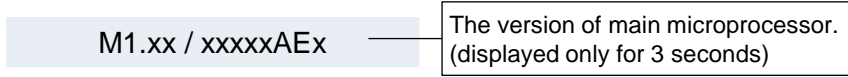
Service information 1/2

Displaying Service information

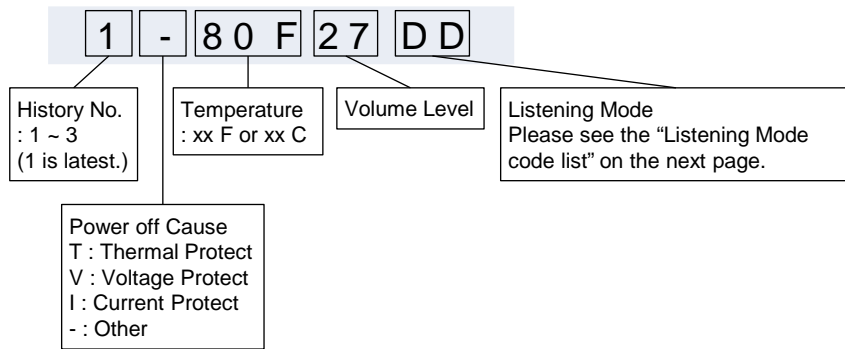
This service information display system is helpful in analyze the status when the unit goes into Protect mode and is powered off. Pay attention that the status will change if a button is pushed.

How to enter to service information mode.

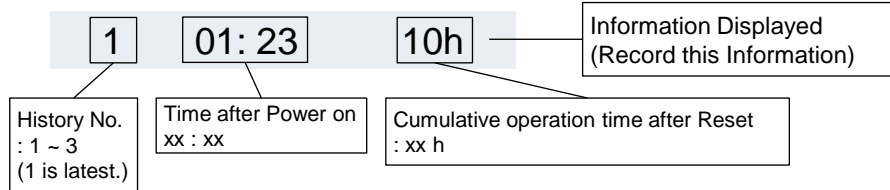
Step1 :
[DIMMER] + [ON/STANDBY] x 2



Step2 :
[SETUP] or [HOME]



Step3 :
[SETUP] or [HOME]

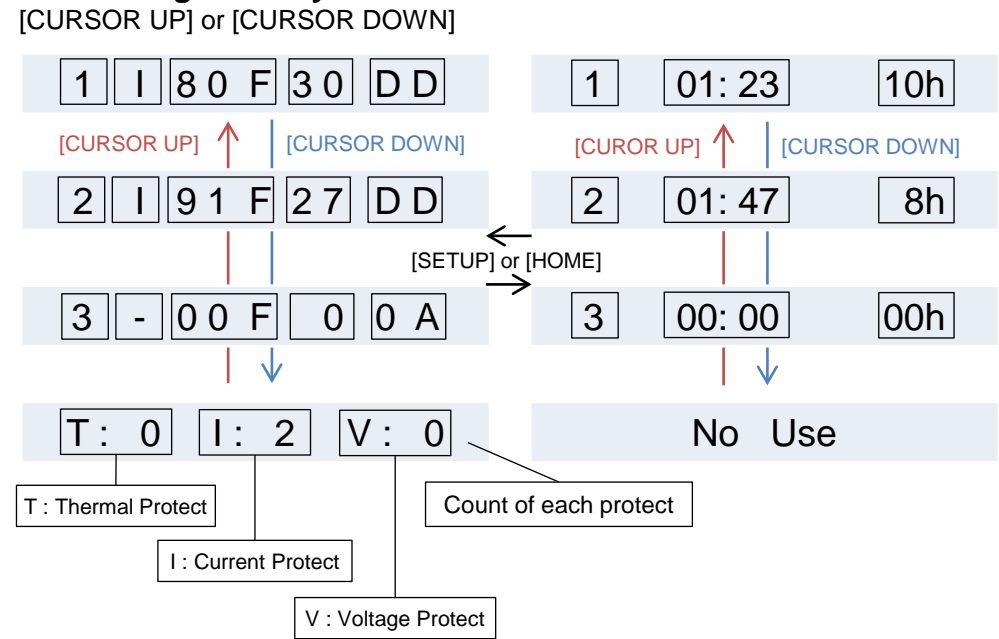


Note)
If press [ENTER] during service information mode, the following display will appear. And Self-diagnostic will start at when next turn on.

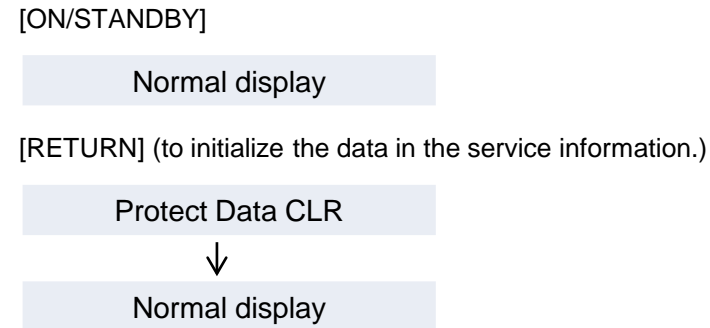
A M P D I A G T E S T O N

Amp Diag Mode after Abnormal Conditions

How to change History No. 1 ~ 3.



How to exit the service information mode.



Service Information 2/2

Amp Diag Mode after Abnormal Conditions

Listening Mode Code List

00	NORMAL_LMD_BEGIN	20	SURR_LMD_BEGIN	50	THX_MUSIC_LMD_BEGIN	90	THX_CINEMA_LMD_BEGIN	D0	AUDYSSEY_LMD_BEGIN
01	LAST	21	SURR_20_PLII_MOVIE	51	THX_20_PLII_MUSIC	91	THX_20_PLII_MOVIE	D1	AUDYSSEY_20_PLII_MUSIC
02	PURE	22	SURR_20_PLII_MUSIC	52	THX_20_PLIIX_MUSIC	92	THX_20_PLIIX_MOVIE	D2	AUDYSSEY_20_PLIIX_MUSIC
03	DIRECT	23	SURR_20_PLII_GAME	53	THX_20_PLIIZ_MUSIC	93	THX_20_PLIIZ_CINEMA	D3	AUDYSSEY_20_NEO6_MUSIC
04	STEREO	24	SURR_20_PLIIX_MOVIE	54	THX_20_NEO6_MUSIC	94	THX_20_NEO6_MOVIE	D4	AUDYSSEY_20_NEURAL_CINEMA
05	MONO	25	SURR_20_PLIIX_MUSIC	55	THX_20_NEURAL_MUSIC	95	THX_20_NEURAL_CINEMA	D5	AUDYSSEY_20_NEURAL_MUSIC
06	ORCHESTRA	26	SURR_20_PLIIX_GAME	56	THX_51_OFF_MUSIC	96	THX_51_OFF_CINEMA	D6	AUDYSSEY_20_PLII_MOVIE
07	UNPLUGGED	27	SURR_20_PLIIZ	57	THX_51_MTR_MUSIC	97	THX_51_MTR_CINEMA	D7	AUDYSSEY_20_PLIIX_MOVIE
08	STUDIOMIX	28	SURR_20_NEO6_MOVIE	58	THX_51_DSC_MUSIC	98	THX_51_DSC_CINEMA	D8	AUDYSSEY_20_NEO6_MOVIE
09	TVLOGIC	29	SURR_20_NEO6_MUSIC	5A	THX_51_PLIIX_MUSIC	99	THX_51_NEO6_CINEMA	D9	AUDYSSEY_20_PLII_GAME
0A	ALLCHST	2A	SURR_20_NEURAL_MUSIC	5B	THX_51_PLIIZ_MUSIC	9A	THX_51_PLIIX_MOVIE	DA	AUDYSSEY_20_PLIIX_GAME
0B	FULLMONO	2B	SURR_20_NEURAL_CINEMA	5C	THX_51_NEO6_MUSIC	9B	THX_51_PLIIZ_CINEMA	DB	AUDYSSEY_51_OFF
0C	TD	2C	SURR_51_OFF	5D	THX_51_NEURAL_MUSIC	9C	THX_51_NEURAL_CINEMA	DC	AUDYSSEY_51_PLIIX_MUSIC
0D	RPG	2D	SURR_51_MTR	5E	THX_20_NEOX_MUSIC	9D	THX_51_EX	DD	AUDYSSEY_51_PLIIX_MOVIE
0E	ACTION	2E	SURR_51_DSC	5F	THX_51_NEOX_MUSIC	9E	THX_20_NEOX_CINEMA	DE	AUDYSSEY_51_NEO6
0F	ROCKBAND	2F	SURR_51_NEO6	60	THX_20_DOLBY_SURR_MUSIC	9F	THX_51_NEOX_CINEMA	DF	AUDYSSEY_51_NEURAL_CINEMA
10	SPORTS	30	SURR_51_EX	61	THX_51_DOLBY_SURR_MUSIC	A0	THX_20_DOLBY_SURR_CINEMA	E0	// AUDYSSEY_51_NEURAL_MUSIC
11	WHOLEHOUSE	31	SURR_51_PLIIX_MOVIE	62	THX_MUSIC_LMD_END	A1	THX_51_DOLBY_SURR_CINEMA	E1	AUDYSSEY_51_EX
12	RPG_GENRE	32	SURR_51_PLIIX_MUSIC			A2	THX_CINEMA_LMD_END	E2	AUDYSSEY_LMD_END
13	ACTION_GENRE	33	SURR_51_PLIIZ	70	THX_GAME_LMD_BEGIN	B0	THX_U2GAME_LMD_BEGIN	F0	SPECIAL_LMD_BEGIN
14	ROCKBAND_GENRE	34	SURR_51_NEURAL_CINEMA	71	THX_20_PLII_GAME	B1	THX_20_PLII_SLCT2_GAME	F1	TESTTONE
15	SPORTS_GENRE	35	SURR_20_NEOX_CINEMA	72	THX_20_PLIIX_GAME	B2	THX_20_PLIIZ_SLCT2_GAME	F2	TESTTHR
12	NORMAL_LMD_END	36	SURR_20_NEOX_MUSIC	73	THX_20_PLIIZ_GAME	B3	THX_51_SLCT2_GAM	F3	TESTAUTO
		37	SURR_20_NEOX_GAME	74	THX_20_NEURAL_GAMES	B4	THX_51_PLIIZ_SLCT2_GAME	F4	ASC
		38	SURR_51_NEOX_CINEMA	75	THX_51_OFF_GAMES	B5	THX_U2GAME_LMD_END	F5	FLASH
		39	SURR_51_NEOX_MUSIC	76	THX_51_MTR_GAMES	B6	THX_U2MUSIC_LMD_BEGIN	F6	DEBUGMODE
		40	SURR_51_NEOX_GAME	77	THX_51_DSC_GAMES	B7	THX_51_SLCT2_MUS	F7	FLASH2
		41	SURR_20_DOLBY_SURR	78	THX_51_PLIIX_GAME	B8	THX_51_PLIIZ_SLCT2_MUSIC	F8	FLASH3
		42	SURR_51_DOLBY_SURR	79	THX_51_PLIIZ_GAMES	B9	THX_U2MUSIC_LMD_END	F9	FLASH4
		43	SURR_LMD_END	7A	THX_51_NEO6_GAMES	BA	THX_U2CINEMA_LMD_BEGIN	FA	FLASH_CHECK
				7B	THX_51_NEURAL_GAMES	BB	THX_51_SLCT2_CIN	FB	SPECIAL_LMD_END
		48	DTSSS_LMD_BEGIN	7C	THX_20_NEOX_GAMES	BC	THX_51_PLIIZ_SLCT2_CINEMA		
		49	DTSSS_20_NEO6_MUSIC	7D	THX_51_NEOX_GAMES	BD	THX_U2CINEMA_LMD_END		
		4A	DTSSS_20_NEO6_CINEMA	7E	THX_20_DOLBY_SURR_GAME				
		4B	DTSSS_51	7F	THX_51_DOLBY_SURR_GAME				
		4C	DTSSS_LMD_END	80	THX_GAME_LMD_END				

COMMON

IMPORTANT!!

Back Ground:

It is totally different from Radio Law at the each country on 5GHz band.
It means it is totally different from enabled Channel of 5GHz band at the each country.
We define the "[Country Code](#)" for 5GHz band.

You must set up the appropriate country code to the product.

Example;

Case1:

When you use the "P" destination products and bring move to Russia or Israel,
If you did not setup change country code and use in Russia and Israel,
You will be on the illegal Radio Law in Russia and Israel.

Case2;

When you use "C" or "D" destination product bring move to Japan or Taiwan,
If you did not setup change country code and use in Japan and Taiwan,
You will be on the illegal Radio Law in Japan and Taiwan.

Service Parts information:

The default country code is set on "Processing Circuit Board(PRC board)".
You must make sure and set up the "[Country Code](#)" when you replace the processing circuit pc board.
Otherwise You and your customer should be on the illegal Radio Law and

IT HAS POSSIBILITY TO HAVE A RISK OF PUNISHMENT FROM EACH COUNTRY GOVERNMENT.

If you did not make sure country code and no setup code and face any trouble,
We does not have any responsibility.

For setting up the [Country Code](#),

Please ask the procedure of changing country code to your distributor or our sales.

It is no described the procedure of changing [Country Code](#) on this Service Manual

If you have any trouble of unclear procedure for update country code,
Please contact our sales department.

PRC Board Default Value of Country Code

The PRC board is already set default Country Code by the representative destination.
To confirm the default country code, Please refer to the "[How to read PRC Board part number and Default value of Country Code](#)" section.

IMPOTANT!!

Make sure and Setup Country Code

You have to make sure country code for using or replacing "Processing Circuit PC Board".

It means that you have to make sure country code between using Processing Circuit PC board(PRC Board) and your customer's country code.

When it is not match PRC board default country code and customer's country, you have to setup Country Code.

Case3;

When you repair the "P" destination products and replace "P" destination PRC Board and the customer live in UK, It is no necessary to setup Country Code

Because "P" destination PRC board already setup "EU" country code.



Match Country code
NO NECESSARY TO SETUP COUNTRY CODE

Case4;

When you repair the "P" destination products and replace "P" destination PRC board and the customer live in Russia, It is necessary to setup Country Code

Because "P" destination PRC Board already setup "EU" country code.

However, the customer's country code is "RU". It means no match PRC Board code and Customer's code.



No Match Country code
NECESSARY TO SETUP COUNTRY CODE

Case5;

When you repair the "C" destination products and replace "C" destination PRC board and the customer live in US, it is no necessary to setup Country Code

Because "C" destination PRC board already setup "US" country code.



Match Country code
NO NECESSARY TO SETUP COUNTRY CODE

Case6;

When you repair the "C" destination product and replace "C" destination PRC board and the customer live in Taiwan, It is necessary to setup Country Code.

Because "C" destination PRC Board already setup "US" country code as default.

However, the customer's country code is "TW". It means no match PRC Board code and the customer's country code



No Match Country code
NECESSARY TO SETUP COUNTRY CODE

Region	Country	Code
America	USA	US
	Canada	US
	Mexico	US
	Brazil	US
	Chile	CL
	Guatemala	US
	Puerto Rico	US
	Trinidad	TT
	Dominican Rep	US
	Argentina	AR
	Ecuador	US
	Paraguay	PY
	Colombia	US
	Guam	US
	Panama	US
	Costa Rica	US
	Uruguay	UY
Peru	PE	

Region	Country	Code
Asia / Oceania	Japan	JP
	China	CN
	Hong Kong	EU
	Korea	KR
	Taiwan	TW
	Singapore	SG
	Malaysia	MY
	Philippines	EU
	Vietnam	EU
	Indonesia	ID
	Sri Lanka	EU
	Australia	AU
	New Zealand	AU
	Thailand	EU
	India	IN
	Pakistan	PK

Region	Country	Code
Middle East	UAE	EU
	Bahrain	BH
	Kuwait	KW
	Oman	EU
	Qatar	QA
	Lebanon	EU
	Jordan	JO
	Saudi Arabia	EU

Region	Country	Code
Europe / Africa	Germany	EU
	UK	EU
	France	EU
	Netherlands	EU
	Italy	EU
	Switzerland	EU
	Denmark	EU
	Sweden	EU
	Austria	EU
	Belgium	EU
	Spain	EU
	Norway	EU
	Finland	EU
	Czech	EU
	Israel	IL
	Ukraine	EU
	Hungary	EU
	Slovakia	EU
	Luxembourg	EU
	Turkey	EU
	Portugal	EU
Malta	EU	
Latvia	EU	
Poland	EU	

Region	Country	Code
Europe / Africa	Cyprus	EU
	Estonia	EU
	Slovenia	EU
	Bulgaria	EU
	Greece	EU
	Romania	EU
	Lithuania	EU
	Serbia	EU
	Croatia	EU
	Ireland	EU
	Macedonia	EU
	Moldova	EU
	Russia	RU
	Andorra	EU
	Armenia	EU
	Azerbaijan	EU
	Belarus	EU
	Bosnia and Herzegovina	EU
	Northern Cyprus(Turkey)	EU
	Georgia	EU
	Iceland	EU
	Kazakhstan	EU

Region	Country	Code
Europe / Africa	Liechtenstein	EU
	Monaco	EU
	Montenegro	EU
	San Marino	EU
	Vatican City	EU
	Kosovo	EU
	Kaliningrad(Russia)	RU
	Gibraltar(UK)	EU
	Canary Islands(Spain)	EU
	Ceuta	EU
	Melilla	EU
	Morocco	MA
	Algeria	EU
	Tunisia	TN
	Egypt	EG
	Mauritius	US
South Africa	EU	

How to read PRC Board part number and Default value of Country Code

WiFi 5GHz Setting

1B5142387-1A575MDC

Board No.

Suffix No.

Model Number Last 3 Digit

- 575 : TX-NR575
- 75E : TX-NR575E
- 676 : TX-NR676
- 76E : TX-NR676E
- 777 : TX-NR777
- 997 : HT-R997
- 620 : TX-RZ620
- 720 : TX-RZ720
- 820 : TX-RZ820

Destination

PRC Board Default setting Country Code

Dst	Code	Main Country
C	US	North America
D	US	United State
S	US	Brazil
P	EU	Europe
B	EU	United Kingdom
Q	EU	Hong Kong
T	EU	Thai
L	RU	Russia
A	AU	Australia / New Zealand
R	CN	China
F	TW	Taiwan
K	KR	Korea
J	JP	Japan

TX-NR474/575/575E
 TX-NR676/676E/777/
 TX-RZ620/720/820

How to check Firmware Version & Preparation of Update

Firmware

Step1 : [DIMMER] + [ON/STANDBY] x 2

Main Firmware Version will appear on the main unit's display.

Step2 : [TONE +1] (Rotate "TONE" knob right 1 click)

NET Firmware Version will appear on the main unit's display.

Step3 : [TONE +2] (Rotate "TONE" knob right 2 click)

DSP Firmware Version will appear on the main unit's display.

Step4 : [TONE +3] (Rotate "TONE" knob right 3 click)

Video Firmware Version will appear on the main unit's display.

Step5 : [TONE +4] (Rotate "TONE" knob right 4 click)

OSD Firmware Version will appear on the main unit's display.

Step6 : [TONE +5 over] (Rotate "TONE" knob right 5 click over)

Return to Display Main Firmware Version (Return Step1)

When It is rotated left (-) TONE knob, It is appeared before step.

[Preparation of Update]

1. Connect the USB storage device to your PC. If there is any data in the USB storage device, remove it.
2. Download the firmware file (package file) from the Onkyo FTP-server. However European service partners should download the firmware file (package file) from the ExtraNet.

Onkyo FTP-server: <ftp://manex.onkyo.co.jp/>

ID and Password are those we informed when changed.

Filename is as follows: ONKAVR0025*****.zip

Unzip the downloaded file. A following file is created.

ONKAVR0025*****.of0

ONKAVR0025*****.of1

ONKAVR0025*****.of2

ONKAVR0025*****.of3

ONKAVR0025*****.of4

3. Copy it to the USB storage device. Be careful not to copy the zip file.
4. Remove the USB storage device from your PC.

How to Update (service mode) 1/2

Overwriting is also possible.

1. Connect the USB strage to the USB port on the unit.



2. Turn on the unit. It takes some time to start after you switch on the unit.
Press: [DIMMER] + [ON/STANDBY] x 2
3. Press [RETURN] button, Then it is displayed as below



If you need each module of the firmware update, you can select the module by pressing PRESET < and > button.

If you need change source NET or USB, you can select the source by pressing TUNING UP and Down key

It should be updated firmware by selecting USB -> ALL normally.

Please Do NOT choose T-SRV (it is test server)

- USB -> ALL: ALL firmware update (default)
- USB -> DSP1: DSP firmware update
- USB -> OSD: OSD firmware update
- USB -> VMPU: VMPU firmware update
- USB -> NET: NET firmware update
- USB -> MMPU: Main MPU firmware update
- USB -> WORK: Compare between AVR and USB, Only update new version firmware

- NET -> ALL: ALL firmware update (default)
- NET -> DSP1: DSP firmware update
- NET -> OSD: OSD firmware update
- NET -> VMPU: VMPU firmware update
- NET -> NET: NET firmware update
- NET -> MMPU: Main MPU firmware update
- NET -> WORK: Compare between AVR and MMC,
Only update new version firmware by network

The default setting is " ALL "



CAUTION: When you will update each module firmware, you have to keep combination of firmware.

How to Update (service mode) 2/2

Firmware

4. Press [ENTER] button. Start update firmware.



5. Wait until update is completed. When the update ends, "Completed!" is displayed. When "Completed!" message appeared, you can power off by pressing "ON/STANDBY" button. (If you leave it, it automatically turns standby mode.)



6. Press [ON/STANDBY] button, and the unit turns on.

7. Check the new FW version number.

<Note>

If the procedure might not be successful, please select "USB -> ALL".

1. [TV] + [ON/STANDBY]
2. [DIMMER]
3. Rotate [TONE] x5

Model Name	Destination	FL Display													
TX-NR676	DC	<i>N</i>	<i>R</i>	<i>6</i>	<i>7</i>	<i>6</i>			<i>D</i>	<i>C</i>		<i>0</i>	<i>2</i>	<i>0</i>	<i>0</i>
TX-NR676E	DF	<i>N</i>	<i>R</i>	<i>6</i>	<i>7</i>	<i>6</i>	<i>E</i>		<i>D</i>	<i>F</i>		<i>0</i>	<i>2</i>	<i>3</i>	<i>0</i>
TX-NR676E	xx	<i>N</i>	<i>R</i>	<i>6</i>	<i>7</i>	<i>6</i>	<i>E</i>		<i>x</i>	<i>x</i>		<i>0</i>	<i>2</i>	<i>1</i>	<i>0</i>
TX-NR676E	xA	<i>N</i>	<i>R</i>	<i>6</i>	<i>7</i>	<i>6</i>	<i>E</i>		<i>x</i>	<i>A</i>		<i>0</i>	<i>2</i>	<i>4</i>	<i>0</i>
TX-NR676E	xR	<i>N</i>	<i>R</i>	<i>6</i>	<i>7</i>	<i>6</i>	<i>E</i>		<i>x</i>	<i>R</i>		<i>0</i>	<i>2</i>	<i>5</i>	<i>0</i>
TX-NR676E	JJ	<i>N</i>	<i>R</i>	<i>6</i>	<i>7</i>	<i>6</i>	<i>E</i>		<i>J</i>	<i>J</i>		<i>0</i>	<i>2</i>	<i>2</i>	<i>0</i>

How to Check Idling Current

a. Idling Pre-check

Channel FL,FR,C,SL,SR,SBL,SBR
Terminals P6021,P6022,P6023,P6025,P6026,P6027,P6028

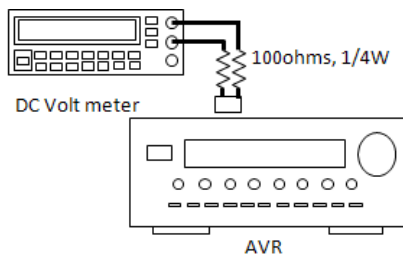
- *Connect 1/4W 100 ohms resisters in each probe of multi mater .
- *Make sure from 1mV to 21mV, When it is not this range, you have to make sure again repair.

b. Aging

The AVR is turned on about 6 minutes for aging.

c. Idling After-check

- *Equip series 1/4W 100-ohm resisters near the terminal respectively in each pole of the jig used for the above mentioned terminals.
- *If the measured value are under 1 mV or over 21 mV, turn off the power of the AVR and rework the AVR.
- *Connect 1/4W 100 ohms resisters in each probe of multi mater .
- *Make sure from 1mV to 21mV, When it is not this range, you have to make sure again repair.



No Sound

■ No sound from connected player

- Chose input selector which is assigned to connected input terminal ?
- Isn't muting on ?

■ No sound from connected TV

- Chose wrong input selector ?
- Connect to this model's HDMI OUT terminal from TV by HDMI cable ?
- When TV supports ARC function, connect to his model's HDMI OUT terminal from TV's HDMI input terminal for ARC function ?
- When TV doesn't support ARC function, connect TV to this model with optical cable etc. ?
- Isn't muting on ?

■ No sound from some connected loudspeaker(s)

- No sound loudspeaker(s) config is enabled ?

■ No sound from all connected TV or Blu-ray player etc.

- After chose loudspeaker volume level setting, test tone is OK ?

■ No problem about above items

- Unplug power cord
After 10 seconds, connect power cord again
- Reset this model

No Picture

Hookup and Setting

■ In general

- Connection cable is bent , twisted or damaged ?
- Input is switched on TV ?

■ No picture from connected player by HDMI input terminal

- Chose input selector which is connected to player ?
- Listening mode is not Pure Audio ?
- Don't use HDMI-DVI adaptor. From personal computer ?

■ No picture from connected player by component video terminal

- Output to TV connected to component video out terminal from player's picture connected to the composite video input terminals ?

■ No problem about above items

- Unplug power cord
After 10 seconds, connect power cord again
- Reset this model

No Power

Hookup and Setting

■ In general

Doesn't be connection cable bent, be it twisted and be it damaged?

■ There is time when indication on the front panel doesn't just light up.

Please check the connecting cord of a DISPLAY PCB.

■ No problem about above items

Unplug power cord

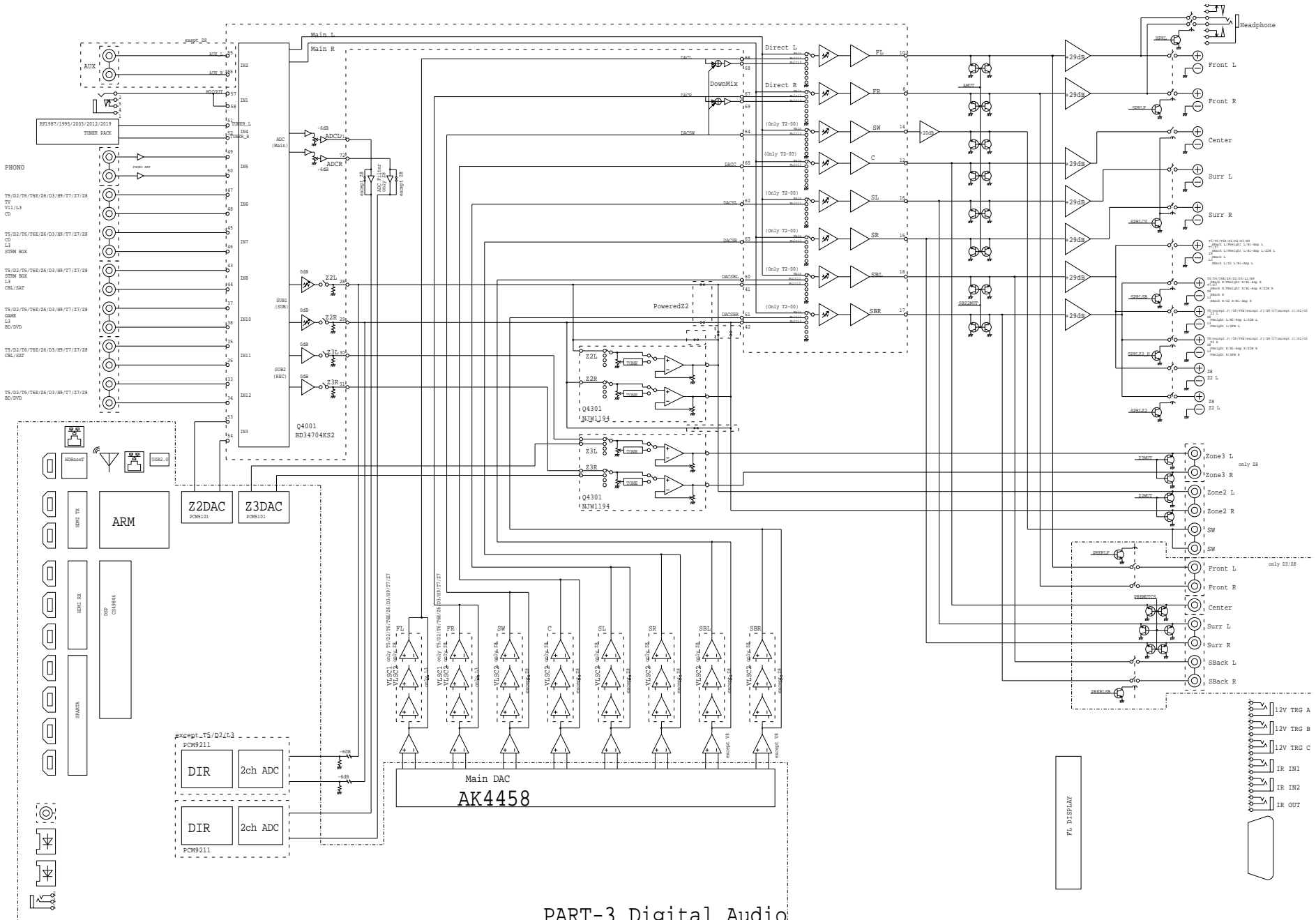
After 10 seconds, connect power cord again

Reset this model

COMMON

PART-1 BLOCK DIAGRAM(Analog Audio)

Schematic Diagram

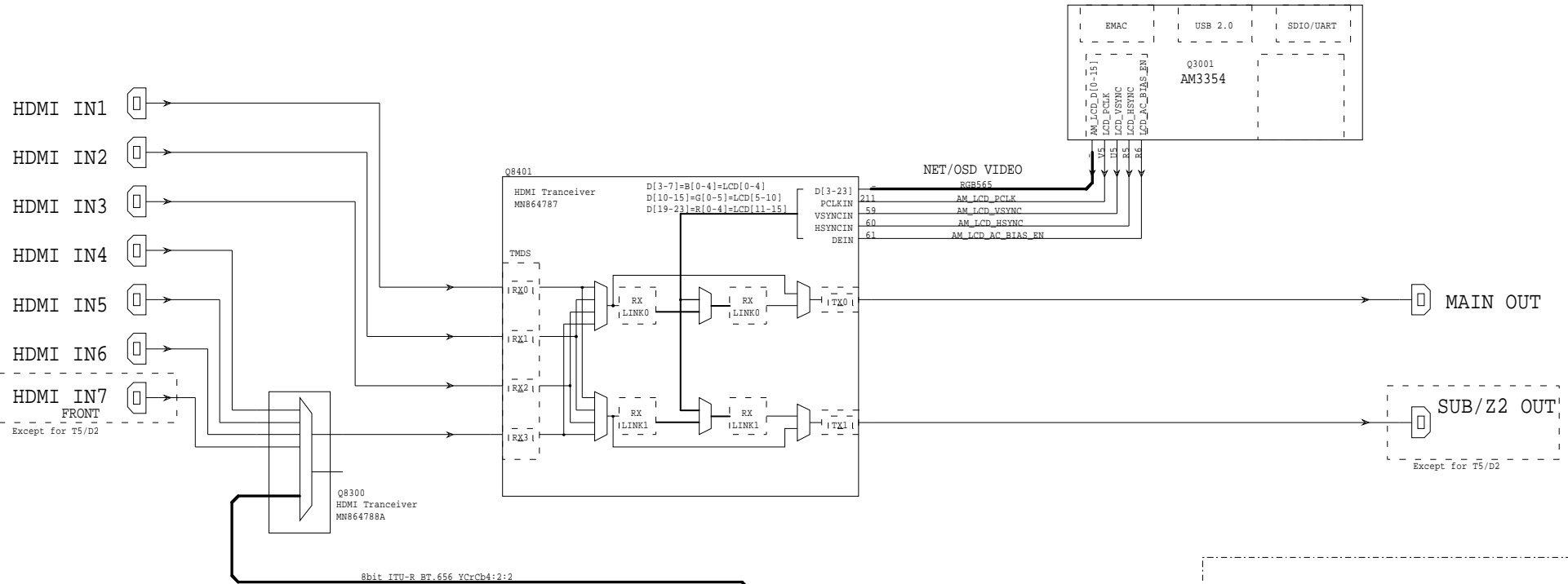


PART-3 Digital Audio

Schematic Diagram

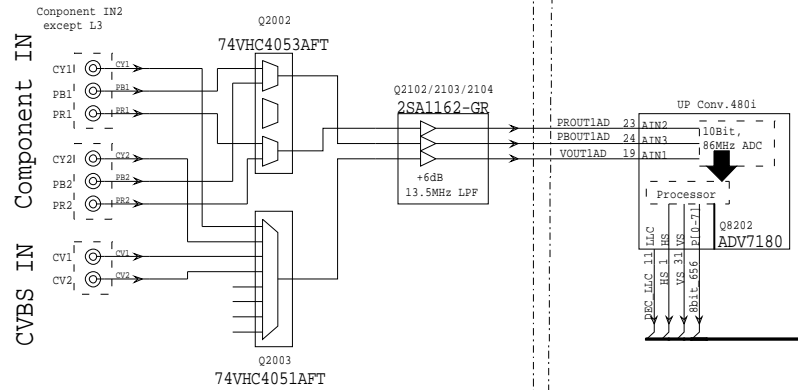
PART-2 BLOCK DIAGRAM(Video)

BAPRC-2034



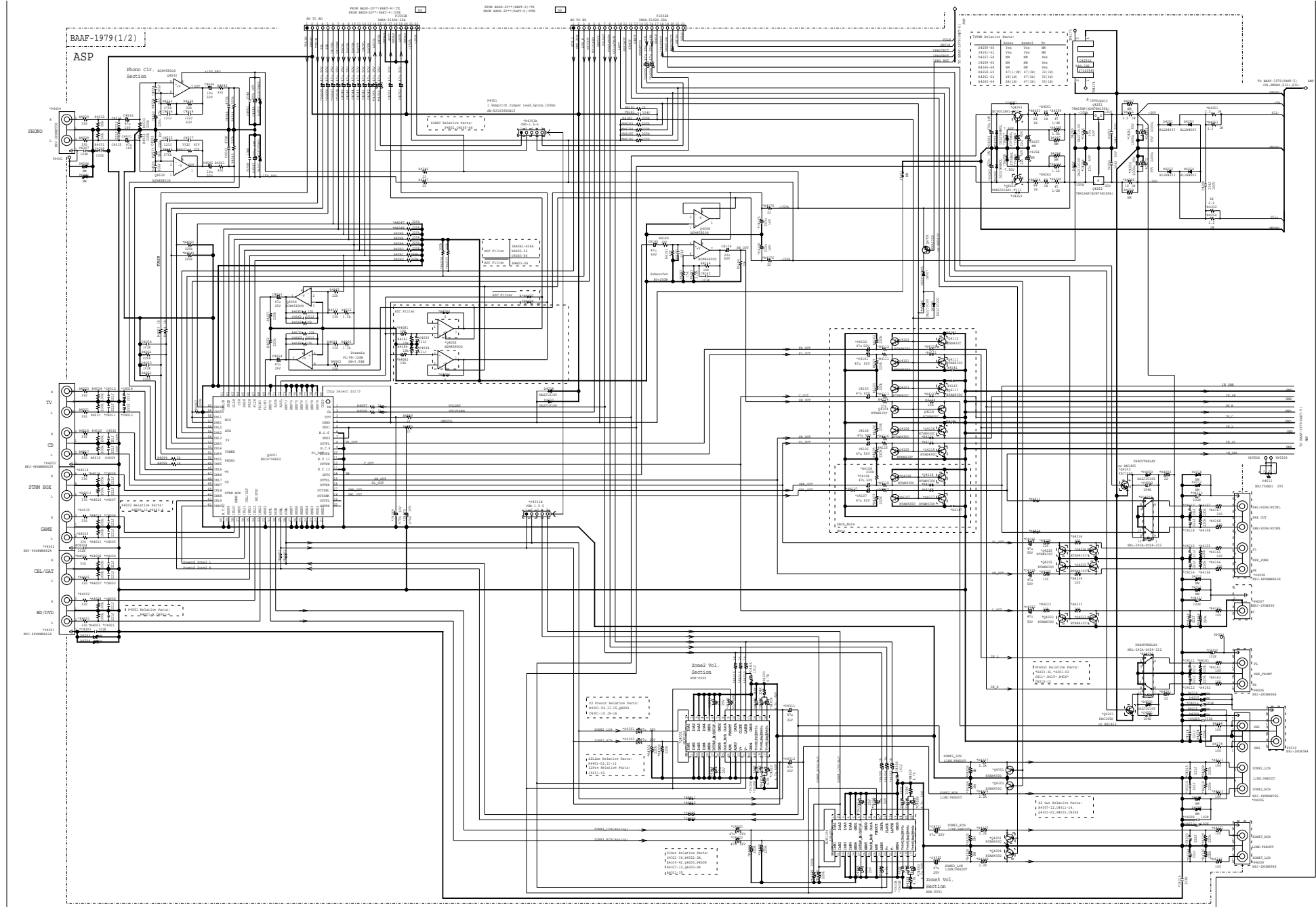
BATRM-2023

Analog Video SW



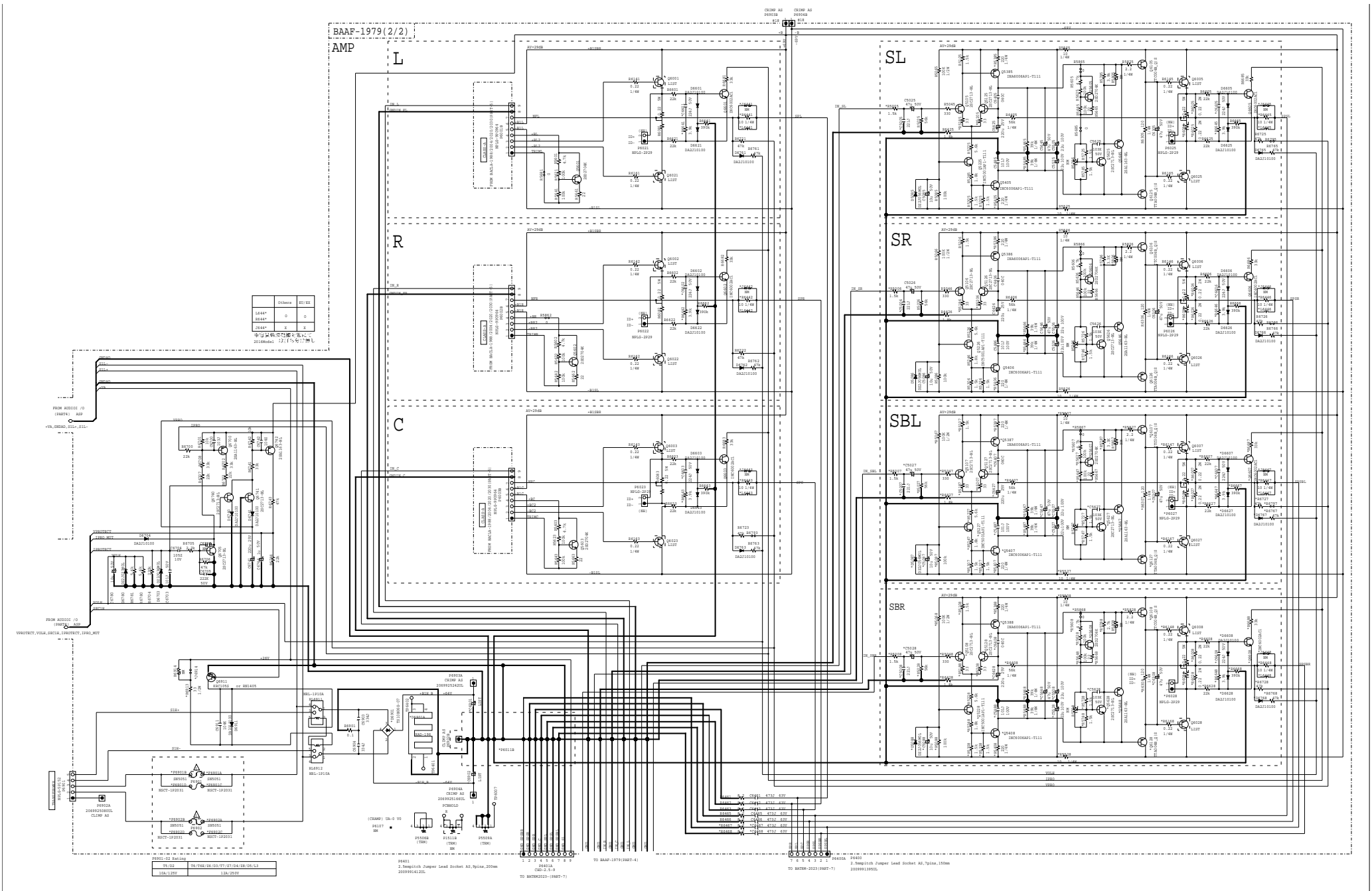
PART-4 ASP SECTION

Schematic Diagram



PART-4 AMP SECTION

Schematic Diagram



Other	201/02
1644*	0
1645*	0
1646*	0
1647*	0
1648*	0
1649*	0
1650*	0
1651*	0
1652*	0
1653*	0
1654*	0
1655*	0
1656*	0
1657*	0
1658*	0
1659*	0
1660*	0
1661*	0
1662*	0
1663*	0
1664*	0
1665*	0
1666*	0
1667*	0
1668*	0
1669*	0
1670*	0
1671*	0
1672*	0
1673*	0
1674*	0
1675*	0
1676*	0
1677*	0
1678*	0
1679*	0
1680*	0
1681*	0
1682*	0
1683*	0
1684*	0
1685*	0
1686*	0
1687*	0
1688*	0
1689*	0
1690*	0
1691*	0
1692*	0
1693*	0
1694*	0
1695*	0
1696*	0
1697*	0
1698*	0
1699*	0
1700*	0

Part No.	Part Name	Quantity	Notes
1000	1000	1	
1001	1001	1	
1002	1002	1	
1003	1003	1	
1004	1004	1	
1005	1005	1	
1006	1006	1	
1007	1007	1	
1008	1008	1	
1009	1009	1	
1010	1010	1	
1011	1011	1	
1012	1012	1	
1013	1013	1	
1014	1014	1	
1015	1015	1	
1016	1016	1	
1017	1017	1	
1018	1018	1	
1019	1019	1	
1020	1020	1	
1021	1021	1	
1022	1022	1	
1023	1023	1	
1024	1024	1	
1025	1025	1	
1026	1026	1	
1027	1027	1	
1028	1028	1	
1029	1029	1	
1030	1030	1	
1031	1031	1	
1032	1032	1	
1033	1033	1	
1034	1034	1	
1035	1035	1	
1036	1036	1	
1037	1037	1	
1038	1038	1	
1039	1039	1	
1040	1040	1	
1041	1041	1	
1042	1042	1	
1043	1043	1	
1044	1044	1	
1045	1045	1	
1046	1046	1	
1047	1047	1	
1048	1048	1	
1049	1049	1	
1050	1050	1	
1051	1051	1	
1052	1052	1	
1053	1053	1	
1054	1054	1	
1055	1055	1	
1056	1056	1	
1057	1057	1	
1058	1058	1	
1059	1059	1	
1060	1060	1	
1061	1061	1	
1062	1062	1	
1063	1063	1	
1064	1064	1	
1065	1065	1	
1066	1066	1	
1067	1067	1	
1068	1068	1	
1069	1069	1	
1070	1070	1	
1071	1071	1	
1072	1072	1	
1073	1073	1	
1074	1074	1	
1075	1075	1	
1076	1076	1	
1077	1077	1	
1078	1078	1	
1079	1079	1	
1080	1080	1	
1081	1081	1	
1082	1082	1	
1083	1083	1	
1084	1084	1	
1085	1085	1	
1086	1086	1	
1087	1087	1	
1088	1088	1	
1089	1089	1	
1090	1090	1	
1091	1091	1	
1092	1092	1	
1093	1093	1	
1094	1094	1	
1095	1095	1	
1096	1096	1	
1097	1097	1	
1098	1098	1	
1099	1099	1	
1100	1100	1	

PART-4 Destination List of BAAF-1979

Schematic Diagram

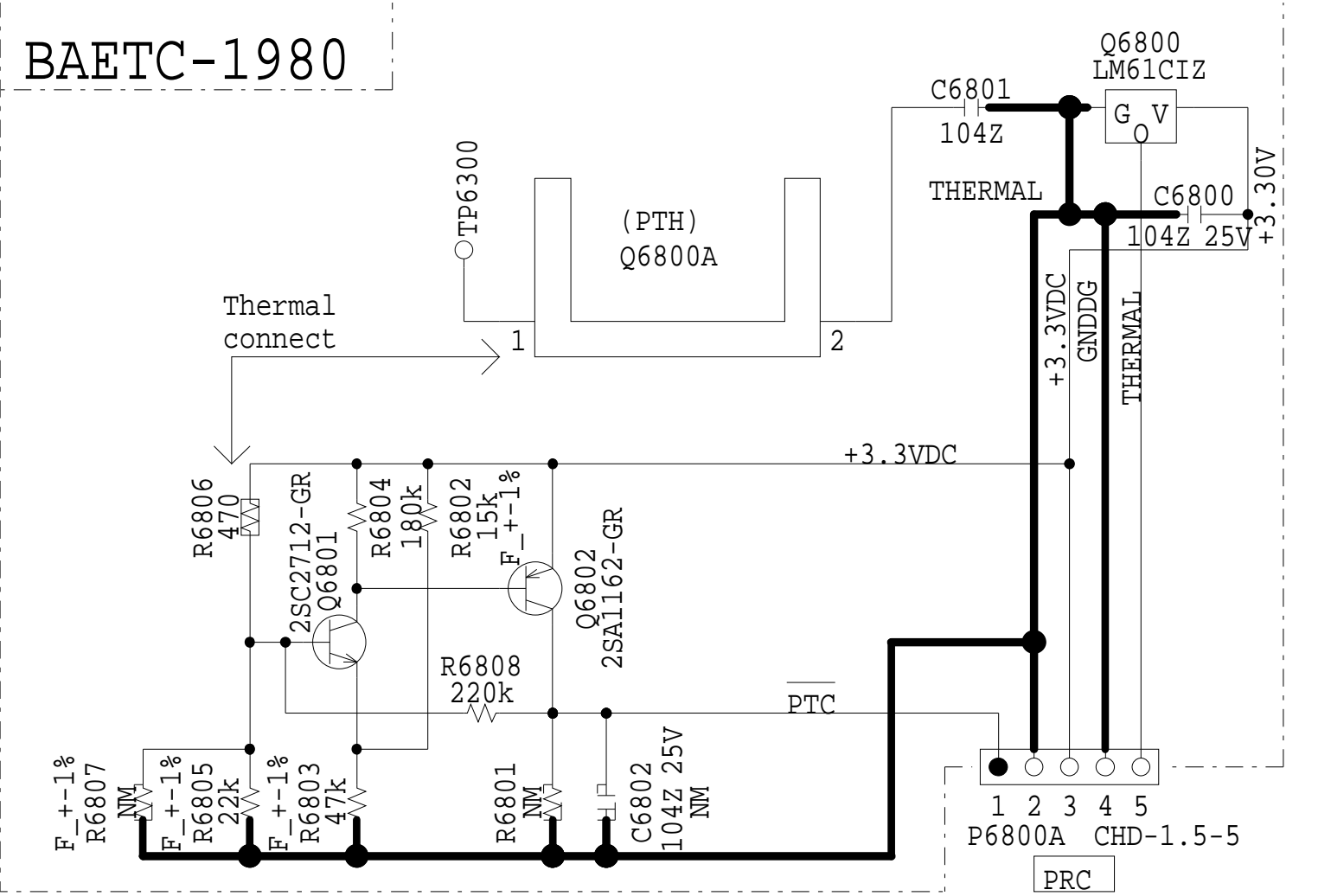
Functions	Cir.No/Group	T5	D2	T6/T6E/H9	Z6	D3	T7	Z7	Z8	L3	
Input Terminal	Terminal Color P4001,P4002 Relatives	Silver	Gold	Silver	Gold	Silver	Silver	Silver	Silver	Silver	
		Mount P4001 and P4002 Relatives								Mount P4002 Relatives	
	P4001,P4002	25045845	25045812	25045845	25045812	25045845			25045845	25045845	
	C4011-12,C4013-14	C4011-12								C4013-14	
AUX Audio Input	R4033,R4034	Mount							NM	Mount	
Mute	SBCh_Mute	Mount								Mount	
	R4111-13,15-18	2.2k			120	2.2k		120	2.2k		
	R4112-23,25-28	0			100	0		100	0		
	Q4112-23,25-28	NM			Mount	NM		Mount	NM		
Pre Out	P4006	NM			25045803	NM		25045776	NM		
	P4007	NM			25045998	NM		25045774	NM		
	P4008	NM			25045812	NM		25045845	NM		
Z2Pre/Line	Z2Out Relatives	Mount								Mount	
	P4010,C4215	NM								NM	
	Z2Line Relatives	Mount	NM	Mount	NM	Mount	NM			NM	
	Z2Pre Relatives	NM	Mount	NM	Mount	NM	Mount			Mount	
	Z3Vol Relatives	NM							Mount	NM	
ADC Filter		ADC Filter							ADC Filter	ADC Filter	
Z2ADC	Relatives	NM					Mount				NM
15VPWR	R4251-54	2.2 1W (*Z7/D4M:0.22 1/2W)							0.22 1/2W	2.2 1W	
	R4256	10 1W							2.2 1W	10 1W	
	C4271-72	1000uF35V							2200uF35V	1000uF35V	
7VPWR Relatives		Zener	Zene2	Transistor					Transistor		
Amp	SBL/SBR C4047-48,R4047-48	Mount								Mount	
Block Cap	C6901-02	3504506 6800u 63V	3504525A 8200u 69V	3504519A 8200u 69V	3504534 10000u 71V	3504525A 8200u 69V	3504539 10000u 75V	3504540 10000u 75V	3504535 15000u 75V	3504525A 8200u 69V	
Power Tr	Q6001-03	2SC5198			2SC5242				TTC0001	2SC5242	
	Q6021-23	2SA1941			2SA1962				TTA0001	2SA1962	
	Q6005-08	2SC5198			KTC5242A		2SC5242		TTC0001	KTC5242A	
	Q6025-28	2SA1941			KTA1962A		2SA1962		TTA0001	KTA1962A	
AMP Emitter Resistor	R6005-08,R6025-28 R6085-88	Mount NM					NM Mount			Mount NM	
I PRO	R664*	3.9k			2.2k				1.8k	2.2k	
Heatsink	D6901A	27160545					27160500			27160545	
BUS Plate	27142306A	NM					Mount			NM	

Model name	Abbreviated Model Name
TX-NR575_	_T5_
DRX-2.1	D2
TX-NR676_	_T6_
TX-NR676E	_T6E_
HT-R997	_H9_
TX-RZ620_	_Z6_
DRX-3.1	_D3_
VSX-LX302	L3
TX-NR777_	_T7_
TX-RZ720_	_Z7_
TX-RZ820_	_Z8_

Destination List of BAAF-1979

PART-4 THERMAL SENSOR SECTION

Schematic Diagram



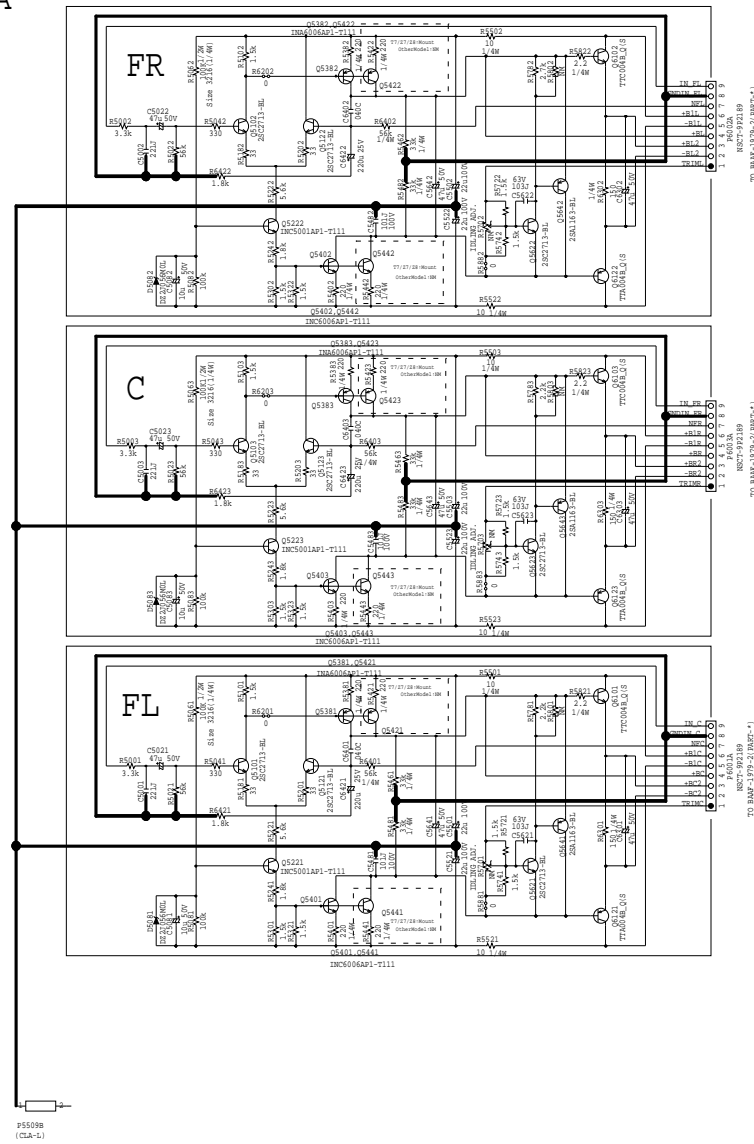
FROM BAPRC-2409 (PART-10)

PART-5 AMP SECTION

Schematic Diagram

BACLA-1988-2
~~BACLA-2004-2~~
~~BACLA-2030-2~~
~~BACLA-2020-2~~

CLASS A



Destination table

Reference Number	MODEL			
	R5/D2/R6/ R5K/R6/L3/R6	T7/27	D3	Z8
R500*	1.0k Ω			3.3k Ω
R538*				
R542*	220 Ω			
R544*	No Mount	220 Ω	No Mount	220 Ω
R546*	39k Ω	33k Ω	39k Ω	33k Ω
R630*			150 Ω	
Q542*	No Mount	Mount	No Mount	Mount
Q544*				

Model name	Abbreviated Model Name
TX-NR575_	_T5_
DRX-2_1	_D2_
TX-NR676_	_T6_
TX-NR676E_	_T6E_
HT-R997_	_H9_
TX-RZ620_	_Z6_
DRX-3_1	_D3_
VSX-LX302	_L3_
TX-NR777_	_T7_
TX-RZ720_	_Z7_
TX-RZ820_	_Z8_

PS SECTION

Schematic Diagram

PS SECTION

THE COMPONENTS IDENTIFIED MARK \triangle ARE CRITICAL FOR SAFETY, REPLACE ONLY WITH PART NUMBER SPECIFIED.
 VOLTAGE (MEASURED WITH VOLTMETER) IS DC VOLTAGE. (NO INPUT SIGNAL)
 ELECTROLYTIC CAPACITORS (∇) ARE IN μ F/VV.
 ALL CAPACITORS ARE IN pF/50WV UNLESS OTHERWISE NOTED.
 EX) 030 -> 3pF, 330 -> 33pF, 331 -> 330pF, 333 -> 0.033 μ F
 CIRCUIT IS SUBJECT TO CHANGE FOR IMPROVEMENT.

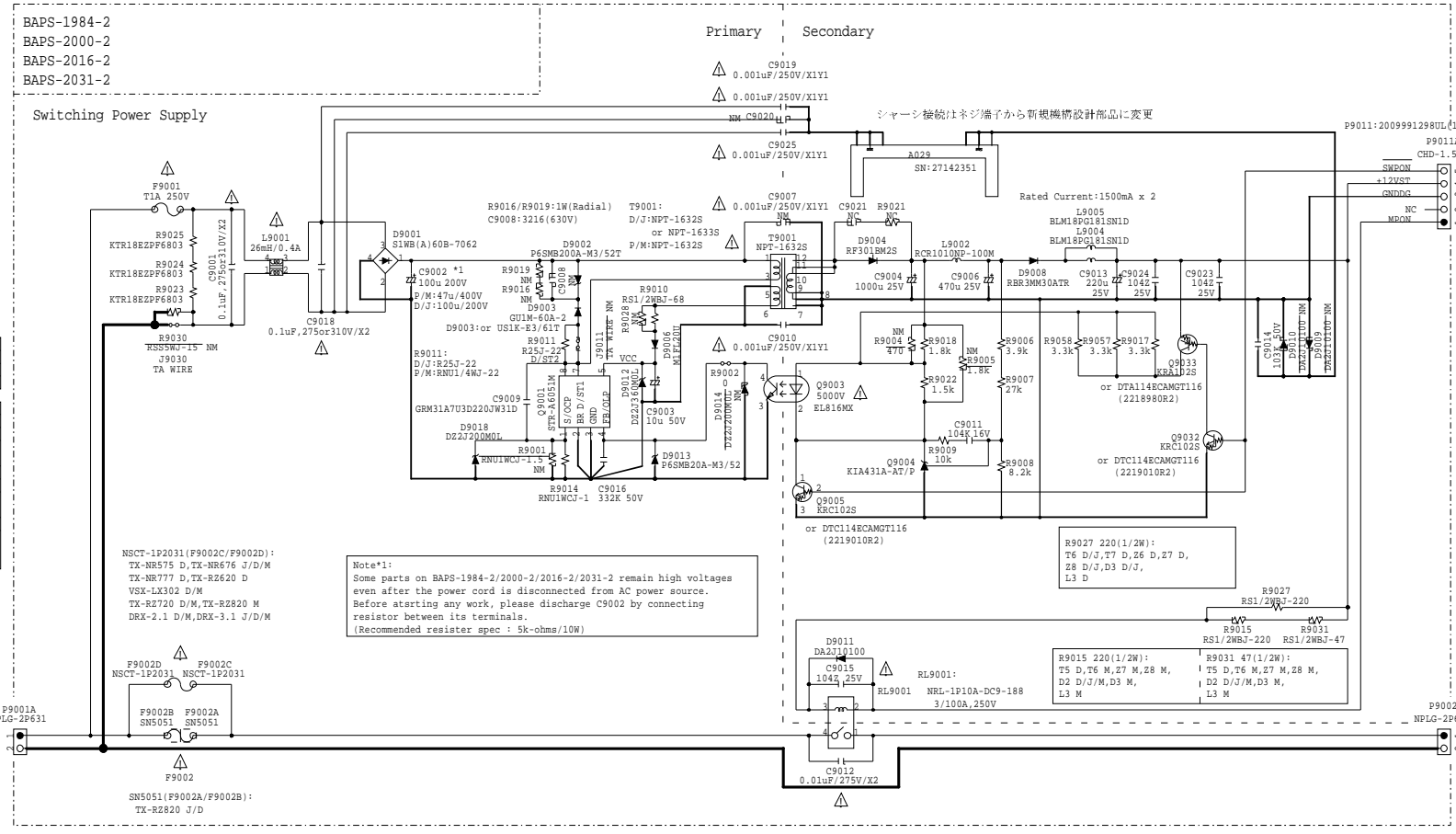
CAUTION
 FOR CONTINUED PROTECTION AGAINST FIRE HAZARD,
 REPLACE ONLY WITH FUSE OF SAME TYPE AND RATING INDICATED.
 ATTENTION
 APIN D'ASSURER UNE PROTECTION PERMANENTE CONTRE LES RISQUES D'INCENDIE,
 REMPLACER UNIQUEMENT PAR UN FUSIBLE DE MEME TYPE ET CALIBRATION COMME INDIQUE.

THIS SYMBOL LOCATED NEAR THE FUSE INDICATES THAT THE FUSE USED IS SLOW OPERATING TYPE FOR CONTINUED PROTECTION AGAINST FIRE FUSE HAZARD, REPLACE WITH SAME TYPE FUSE. RATING REFER TO THE MAKING ADJACENT TO THE SYMBOL.

CE SYMBOLE INDIQUE QUE LE FUSIBLE UTILISE EST A LENT, E POUR UNEPROTECTION PERMANENT, N'UTILISER QUE DES FUSIBLES DE MEME TYPE.
 CE DERNIER EST INDIQUE LA QU LE PRESENT SYMBOLE EST APPOSE.

MODEL	TX-NR575
T5	TX-NR575
T6	TX-NR676, TX-NR676E, HT-R997
T6	TX-R2620
T7	TX-NR777
T7	TX-R2720
T8	TX-R2820
D2	DRX-2.1
D3	DRX-3.1
L3	HSV-LX302

\triangle 印は火災、感電の危険に関与する部品の為、必ず指定部品を使用の事。
 電圧表示は無信号時に測定した直流電圧を示す。
 記号なき電解コンデンサの単位は μ F/VVである。
 記号なきコンデンサの単位はpF/50WVである。
 例) 030 -> 3pF, 330 -> 33pF, 331 -> 330pF, 333 -> 0.033 μ F
 本配線図は基本配線図につき性能改善等により予告なく変更する事がある。



TYPE	AC POWER
D	120Vac, 60Hz
M	220-240Vac, 50/60Hz
J	100Vac, 50/60Hz

MODEL	Destination	AC CORD	INLET
T5	MDC	()	()
T6	MDF/M-L	()	()
T6	Other	()	()
T7	All	()	()
T6	All	()	()
T7	MMA/MNR	()	()
T7	Other	()	()
T8	All	()	()
D2	All	()	()
D3	All	()	()
L3	All	()	()

NSCT-1P2031(F9002C/F9002D):
 TX-NR575 D, TX-NR676 J/D/M
 TX-NR777 D, TX-R2620 D
 VSX-LX302 D/M
 TX-R2720 D/M, TX-R2820 M
 DRX-2.1 D/M, DRX-3.1 J/D/M

Note*1:
 Some parts on BAPS-1984-2/2000-2/2016-2/2031-2 remain high voltages even after the power cord is disconnected from AC power source. Before starting any work, please discharge C9002 by connecting resistor between its terminals. (Recommended resistor spec: 5k-ohms/10W)

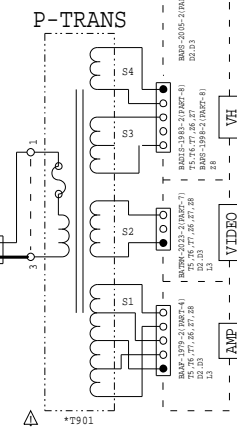
F9002:Rating of Fuse
 F9002E:SN of Fuse Label

TYPE	T5	D2	T6/D3	Z6/T7	Z7/L3	Z8
M	8A 125V 29360842	8A 125V 29360842	10A 125V	10A 125V	10A 125V 29362241	10A 125V 29362241
D	---	T2.5AL250V 29361747	10A 125V	---	T3.15AL250V 29362779	T4AL250V 29362779
J	---	---	12A 125V 29382136	---	---	15A 250V 29362252

T901 Rating

TYPE	T5	D2	T6/D3	Z6/L3	L3	T7	Z7	Z8
D	NPT-1664D	NPT-1664D	NPT-1671D	NPT-1671D	NPT-1671D	NPT-1672D	NPT-1672D	NPT-1665D
M	---	NPT-1664M	NPT-1671M	---	NPT-1671M	---	NPT-1672M	NPT-1665M
J	---	---	NPT-1671J	---	---	---	---	NPT-1665J

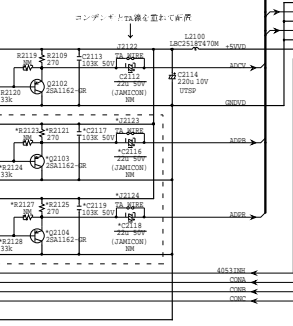
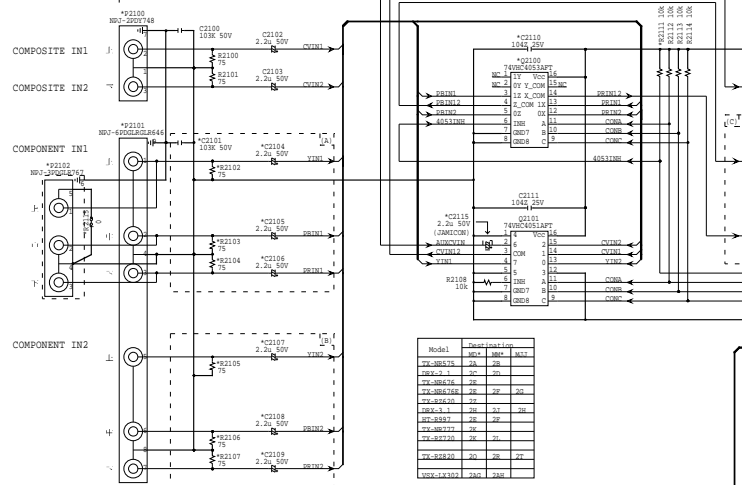
BATRM-2032-2 (PART-7)



PART-7 VIDEO,SPOUT,IR/12VTRG SECTION

Schematic Diagram

BATRM-2023



ANALOG VIDEO IN

Table 1-1

Destination	P2101	P2102	P2103	P2104	P2105	(A)	(B)	(C)
2A, 2B, 2F, 2G, 2H, 2J, 2K, 2L, 2M, 2N, 2P, 2Q, 2R, 2T	o	x		o	x	o	o	o
2S, 2U, 2V, 2W	o	x		o	x	o	o	o
2X, 2Y, 2Z	o	x		o	x	o	o	o

Table 1-2

Destination	P2100	P2101	P2102
2A, 2B, 2F, 2G, 2H, 2J, 2K, 2L, 2M, 2N, 2P, 2Q, 2R, 2T	NL1-200748	NL1-200748	NL1-200748
2S, 2U, 2V, 2W	NL1-200748	NL1-200748	NL1-200748
2X, 2Y, 2Z	NL1-200748	NL1-200748	NL1-200748

P2100: 2546603 HO-200748 SILVER (MC)
2546604 HO-200748 GOLD (MC)
P2101: 2545871 HO-600GLR864 SILVER (MC)
2545874 HO-600GLR849 GOLD (MC)
P2102: 2546603 HO-200748 SILVER (MC)

IR IN/OUT, 12V TRGOUT, RS232C

Table 1-1

Destination	P2101	P2102	P2103	P2104	P2105	(A)	(B)	(C)
2A, 2B, 2F, 2G, 2H, 2J, 2K, 2L, 2M, 2N, 2P, 2Q, 2R, 2T	o	x		o	x	o	o	o
2S, 2U, 2V, 2W	o	x		o	x	o	o	o
2X, 2Y, 2Z	o	x		o	x	o	o	o

Table 1-2

Destination	P2100	P2101	P2102
2A, 2B, 2F, 2G, 2H, 2J, 2K, 2L, 2M, 2N, 2P, 2Q, 2R, 2T	NL1-200748	NL1-200748	NL1-200748
2S, 2U, 2V, 2W	NL1-200748	NL1-200748	NL1-200748
2X, 2Y, 2Z	NL1-200748	NL1-200748	NL1-200748

P2100: 2546603 HO-200748 SILVER (MC)
2546604 HO-200748 GOLD (MC)
P2101: 2545871 HO-600GLR864 SILVER (MC)
2545874 HO-600GLR849 GOLD (MC)
P2102: 2546603 HO-200748 SILVER (MC)

SPOUT FL/FR/C

Table 1-1

Destination	C6501	C6502	C6503
2A, 2B, 2F, 2G, 2H, 2J, 2K, 2L, 2M, 2N, 2P, 2Q, 2R, 2T	x		
2S, 2U, 2V, 2W	o	o	o
2X, 2Y, 2Z	o	o	o

Table 1-2

Destination	C6507	C6508	(K)
2A, 2B, 2F, 2G, 2H, 2J, 2K, 2L, 2M, 2N, 2P, 2Q, 2R, 2T	o	o	o
2S, 2U, 2V, 2W	o	o	o
2X, 2Y, 2Z	o	o	o

P2100: 2546603 HO-200748 SILVER (MC)
2546604 HO-200748 GOLD (MC)
P2101: 2545871 HO-600GLR864 SILVER (MC)
2545874 HO-600GLR849 GOLD (MC)
P2102: 2546603 HO-200748 SILVER (MC)

SPOUT SL/SR

Table 1-1

Destination	C6501	C6502	C6503
2A, 2B, 2F, 2G, 2H, 2J, 2K, 2L, 2M, 2N, 2P, 2Q, 2R, 2T	x		
2S, 2U, 2V, 2W	o	o	o
2X, 2Y, 2Z	o	o	o

Table 1-2

Destination	C6507	C6508	(K)
2A, 2B, 2F, 2G, 2H, 2J, 2K, 2L, 2M, 2N, 2P, 2Q, 2R, 2T	o	o	o
2S, 2U, 2V, 2W	o	o	o
2X, 2Y, 2Z	o	o	o

P2100: 2546603 HO-200748 SILVER (MC)
2546604 HO-200748 GOLD (MC)
P2101: 2545871 HO-600GLR864 SILVER (MC)
2545874 HO-600GLR849 GOLD (MC)
P2102: 2546603 HO-200748 SILVER (MC)

SPOUT SBL/SBR

Table 1-1

Destination	C6501	C6502	C6503
2A, 2B, 2F, 2G, 2H, 2J, 2K, 2L, 2M, 2N, 2P, 2Q, 2R, 2T	x		
2S, 2U, 2V, 2W	o	o	o
2X, 2Y, 2Z	o	o	o

Table 1-2

Destination	C6507	C6508	(K)
2A, 2B, 2F, 2G, 2H, 2J, 2K, 2L, 2M, 2N, 2P, 2Q, 2R, 2T	o	o	o
2S, 2U, 2V, 2W	o	o	o
2X, 2Y, 2Z	o	o	o

P2100: 2546603 HO-200748 SILVER (MC)
2546604 HO-200748 GOLD (MC)
P2101: 2545871 HO-600GLR864 SILVER (MC)
2545874 HO-600GLR849 GOLD (MC)
P2102: 2546603 HO-200748 SILVER (MC)

SPOUT HL/HR

Table 1-1

Destination	C6501	C6502	C6503
2A, 2B, 2F, 2G, 2H, 2J, 2K, 2L, 2M, 2N, 2P, 2Q, 2R, 2T	x		
2S, 2U, 2V, 2W	o	o	o
2X, 2Y, 2Z	o	o	o

Table 1-2

Destination	C6507	C6508	(K)
2A, 2B, 2F, 2G, 2H, 2J, 2K, 2L, 2M, 2N, 2P, 2Q, 2R, 2T	o	o	o
2S, 2U, 2V, 2W	o	o	o
2X, 2Y, 2Z	o	o	o

P2100: 2546603 HO-200748 SILVER (MC)
2546604 HO-200748 GOLD (MC)
P2101: 2545871 HO-600GLR864 SILVER (MC)
2545874 HO-600GLR849 GOLD (MC)
P2102: 2546603 HO-200748 SILVER (MC)

SPOUT Z2L/Z2R

Table 1-1

Destination	C6501	C6502	C6503
2A, 2B, 2F, 2G, 2H, 2J, 2K, 2L, 2M, 2N, 2P, 2Q, 2R, 2T	x		
2S, 2U, 2V, 2W	o	o	o
2X, 2Y, 2Z	o	o	o

Table 1-2

Destination	C6507	C6508	(K)
2A, 2B, 2F, 2G, 2H, 2J, 2K, 2L, 2M, 2N, 2P, 2Q, 2R, 2T	o	o	o
2S, 2U, 2V, 2W	o	o	o
2X, 2Y, 2Z	o	o	o

P2100: 2546603 HO-200748 SILVER (MC)
2546604 HO-200748 GOLD (MC)
P2101: 2545871 HO-600GLR864 SILVER (MC)
2545874 HO-600GLR849 GOLD (MC)
P2102: 2546603 HO-200748 SILVER (MC)

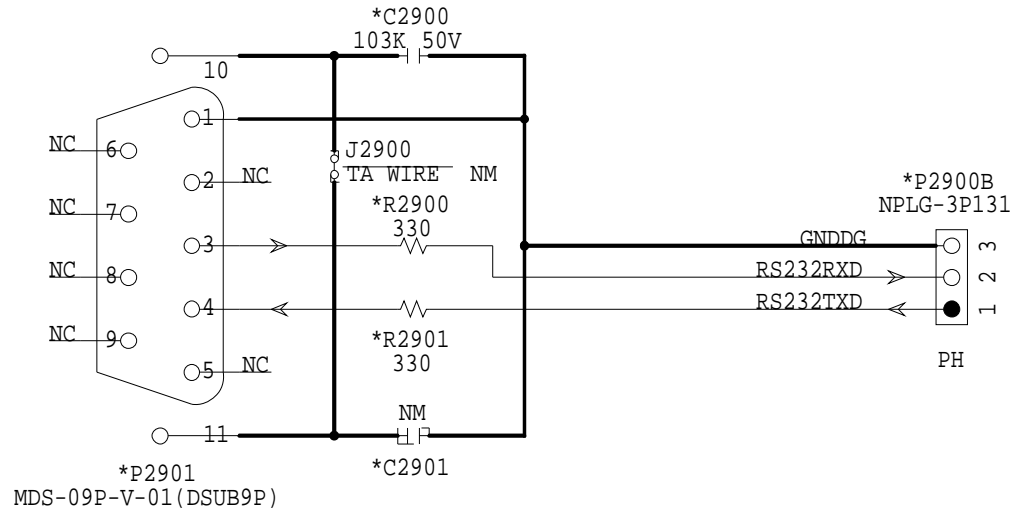
BAPS-1984/2000/2016/2031
(PART-6)
Switching Power Supply

BATRC-1986/2002/2018/1994
(PART-8)

BAAP-1979
(PART-4)

BAETC-2025

RS-232C



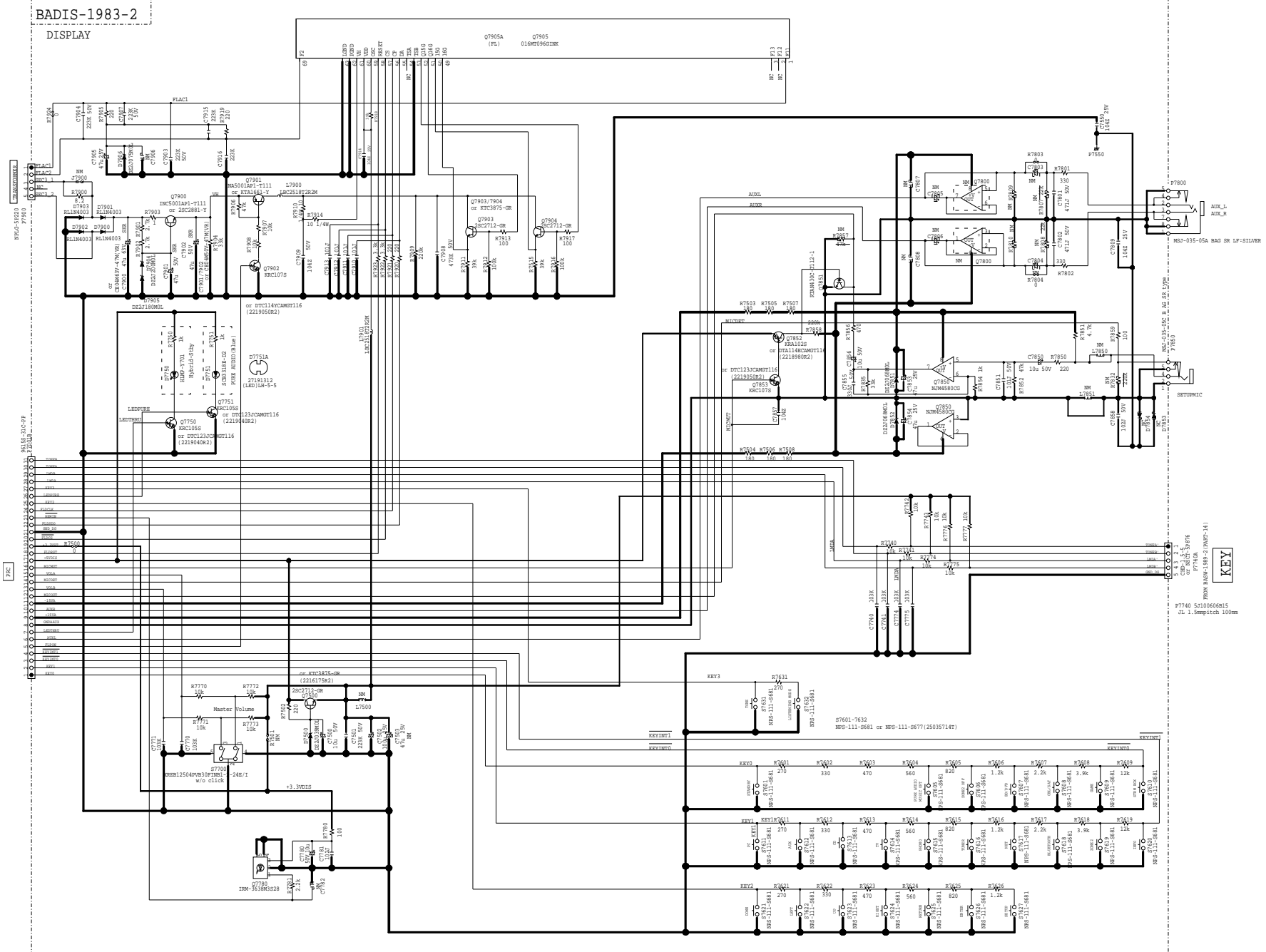
BATRM-2023
(PART-7)

Model	Destination
TX-NR578	2A 2B
DRX-2.1	2C 2D
HT-R997	2E 2F
TX-NR676	2E
TX-NR676E	2E 2F 2G
TX-RZ620	2Z
DRX-3.1	2H 2J 2H
HT-R997	2E 2F
TX-NR777	2K
TX-RZ720	2K 2L
	2N 2P
TX-RZ820	2Q 2R 2T
	2W 2X
VSX-LX302	2AG 2AH

Destination	P2900B, P2901, C2900, R2900, R2901
2A, 2E, 2F, 2G,	All No Mount
2C, 2D, 2H, 2H, 2K, 2L, 2N, 2P, 2Q, 2R, 2T, 2W, 2X, 2Z 2AG, 2AH	All Mount

PART-8 DISPLAY SECTION

Schematic Diagram

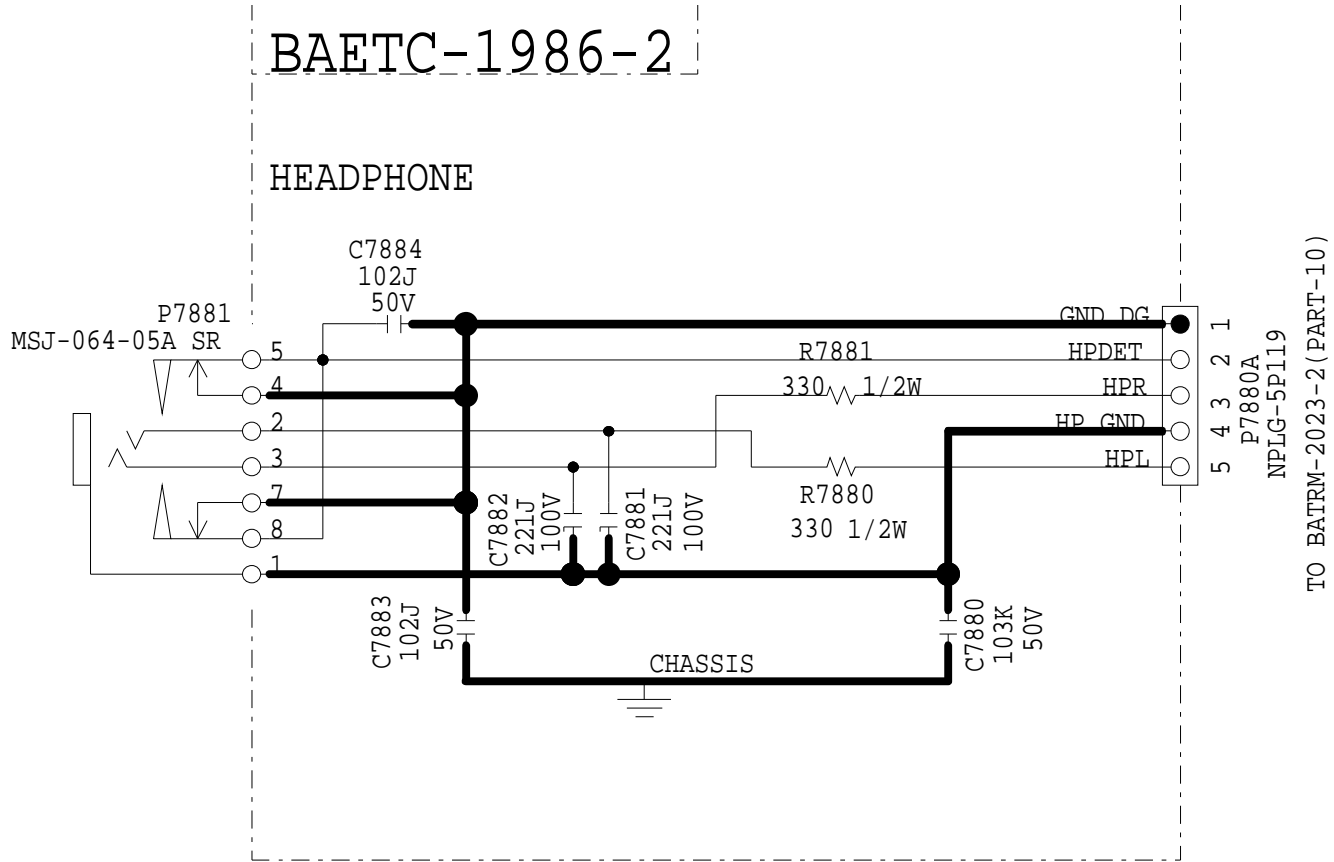


KEY
5 4 3 2 1
OF RESISTORS
FROM PART-9 (PART-14)

P7740 5100606815
JL 1.5m pitch 100mm

PART-8 DISPLAY(HEADPHONE)SECTION

Schematic Diagram



TO TRM

PART-8 DISPLAY(Encorder)SECTION

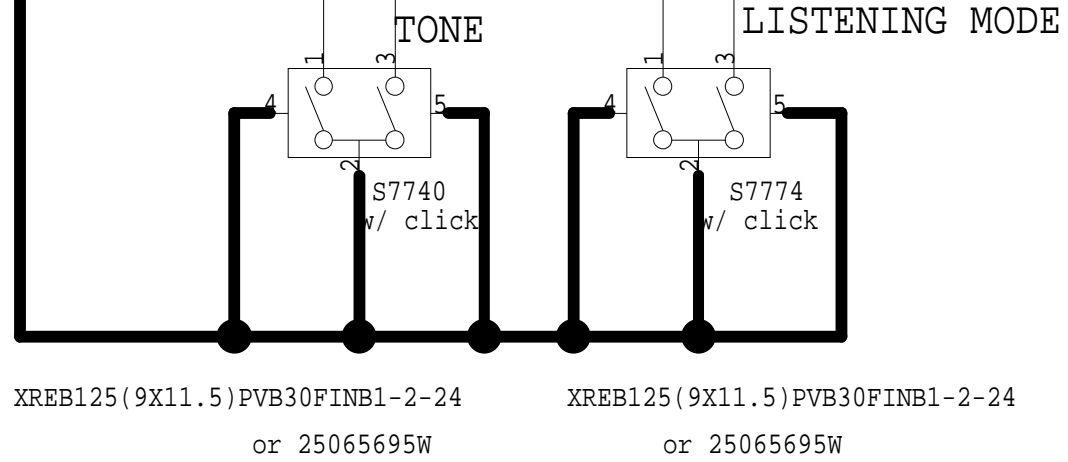
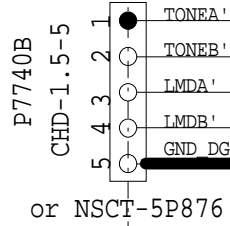
Schematic Diagram

DISPLAY

BASW-1989-2

KEY

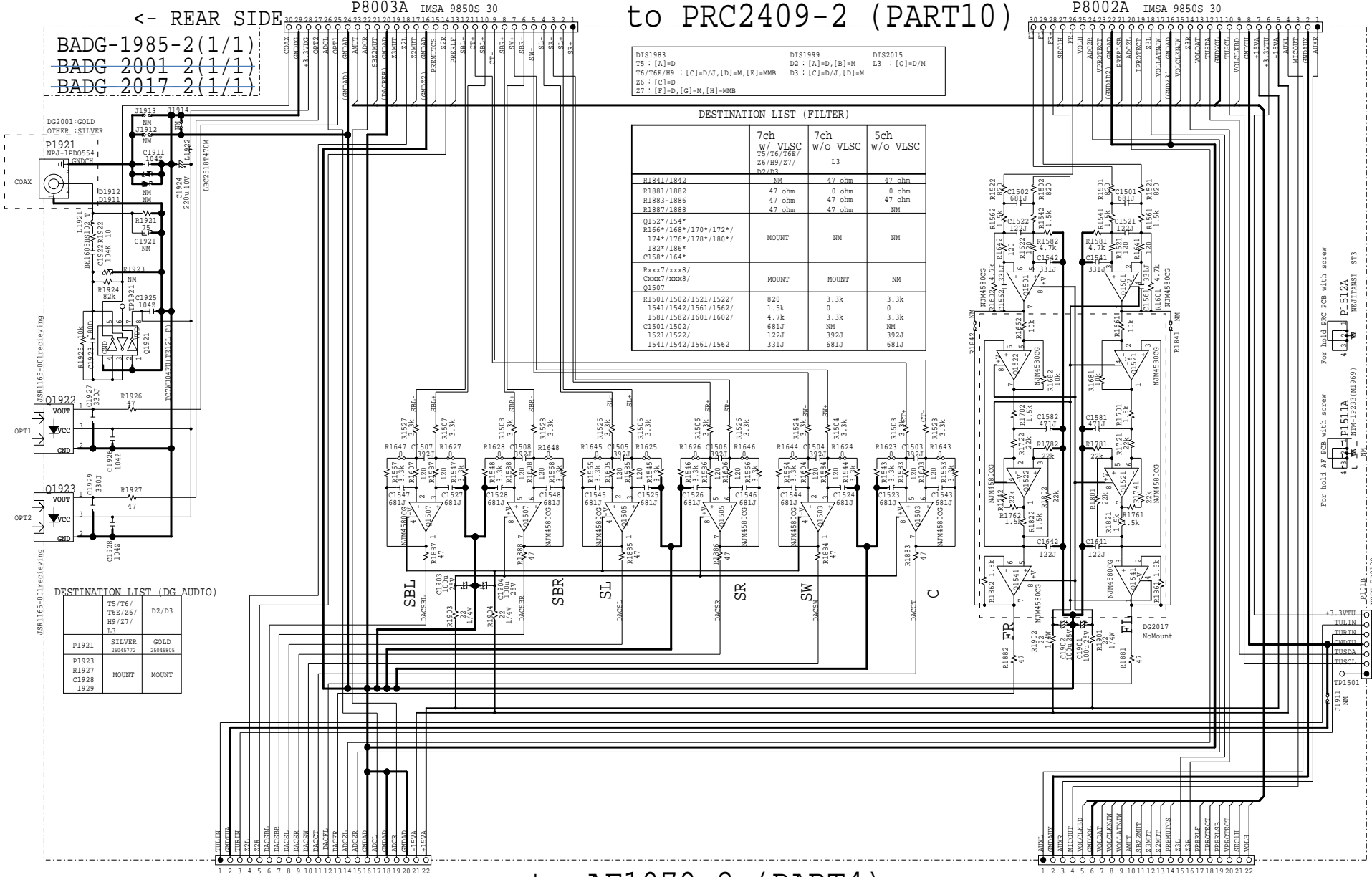
TO BADIS-1983-2 (PART-8)



PART-9 DAC FILTER SECTION

Schematic Diagram

部品種類表記無きアルミ電解Cは全てJIS P品
部品定格または定格電力表記無き抵抗は全て1/10Wチップ品



DIS1983 D3 : [A]=D, [B]=M DIS1999 D2 : [A]=D, [B]=M DIS2015 L3 : [G]=D+M
 76/76/H9 : [C]=D/J, [D]=M, [R]=MMB D3 : [C]=D/J, [D]=M L3 : [G]=D+M
 26 : [C]=D
 27 : [F]=D, [G]=M, [H]=MMB

DESTINATION LIST (FILTER)

	7ch w/ VLSC	7ch w/o VLSC	5ch w/o VLSC
R1841/1842	NM	47 ohm	47 ohm
R1881/1882	47 ohm	0 ohm	0 ohm
R1883/1884	47 ohm	47 ohm	47 ohm
R1887/1888	47 ohm	47 ohm	NM
Q152*/154*	MOUNT	NM	NM
R166*/168*/170*/172*/174*/176*/178*/180*/182*/186*/C158*/164*			
Rxxx7/xxxx8/Cxxx7/xxxx8/Q1507	MOUNT	MOUNT	NM
R1501/1502/1521/1522/1541/1542/1561/1562/1581/1582/1601/1602/C1501/1502/1521/1522/1541/1542/1561/1562	820 1.5k 4.7k 681J 122J 332J	3.3k 0 3.3k NM 382J	3.3k 0 3.3k NM 382J

DESTINATION LIST (DG_AUDIO)

	T5/76/76E/26/H9/27/13	D2/D3
P1921	SILVER 25045772	GOLD 25045805
P1923		
R1927		
C1928		
1929		

For hold PFC PCB with screw
 P1512A NEJITANSI ST3
 For hold AF PCB with screw
 P1511A NFM-1P233(M1669)
 P1510 NECT-PP2100

to RF1987/1995/2003/2012/2019
 (PART11)

to AF1979-2 (PART4)

<- REAR SIDE

PART-10 VSP SECTION

Schematic Diagram

D
C
B
A

BAPRC-2409 (3/11)

RX2 SECT.

Except T5/D2/V8/L1
HDMI OUT Z2
*P8021

HDMI OUT MAIN
P8001

P8611
HDMI IN 1

P8621
HDMI IN 2

P8631
HDMI IN 3

MMPU SECT.

DIR SECT.

PART-35
VMPU SECT.

F/W
SPI FLASH UPC

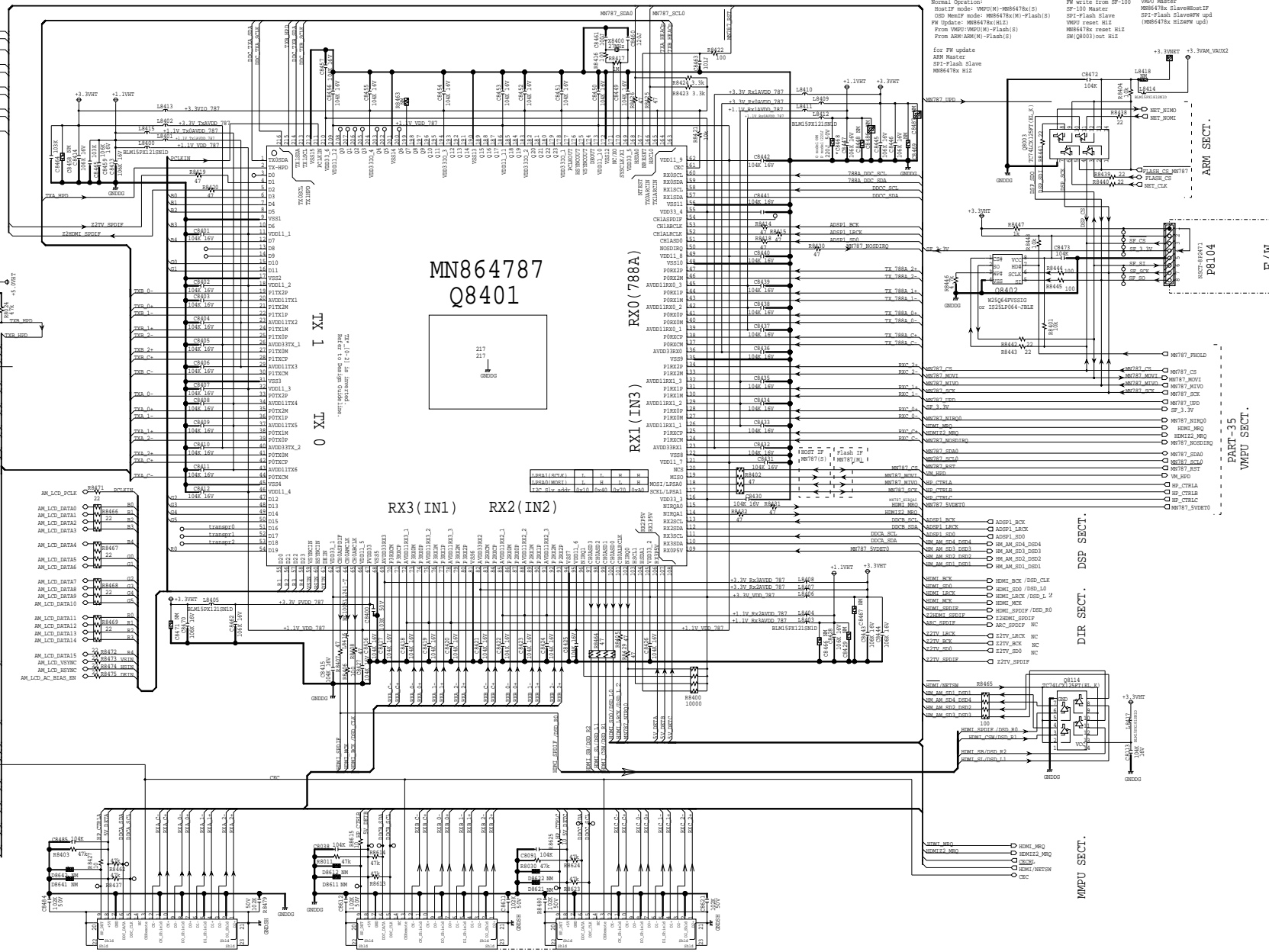
ARM SECT.

Normal Operation:
HostIF mode: VGPU(M)-NR6478x(S)
OSD MenuIF mode: NR6478x(M)-Flash(S)
FW Update: NR6478x(R)E2
From VGPU(M)-Flash(S)
From ARM(M)-Flash(S)

For FW update:
ARM Master
SPI-Flash Slave
NR6478x R1Z

VMU Master
SPI-Flash Slave
VMU reset R1Z
NR6478x reset R1Z
RW(800)out R1Z

VMU Master
SPI-Flash Slave
VMU reset R1Z
NR6478x reset R1Z
RW(800)out R1Z

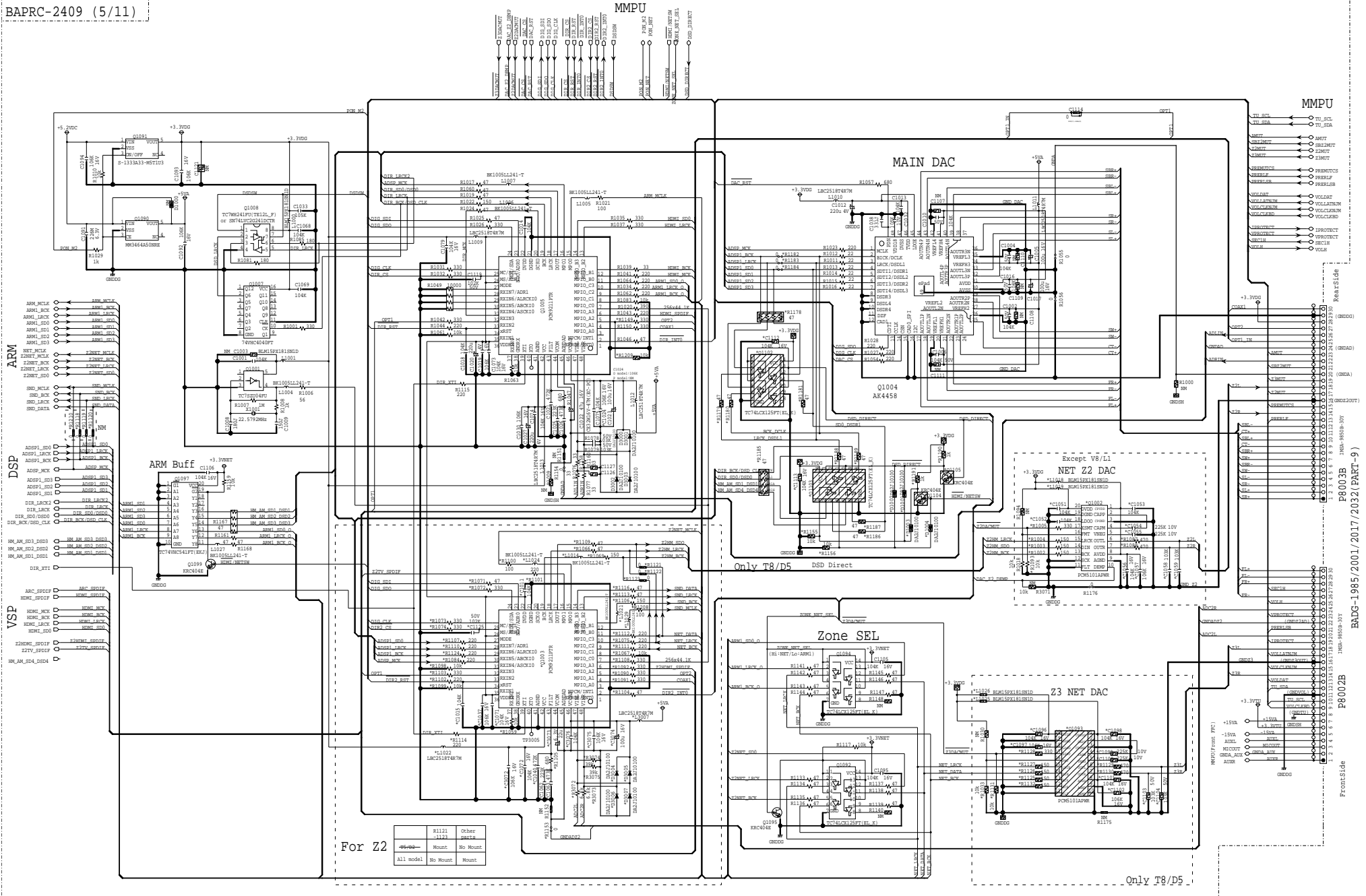


1 2 3 4 5 6

PART-10 DIRDAC SECTION

Schematic Diagram

BAPRC-2409 (5/11)



PART-10 DSP SECTION

Schematic Diagram

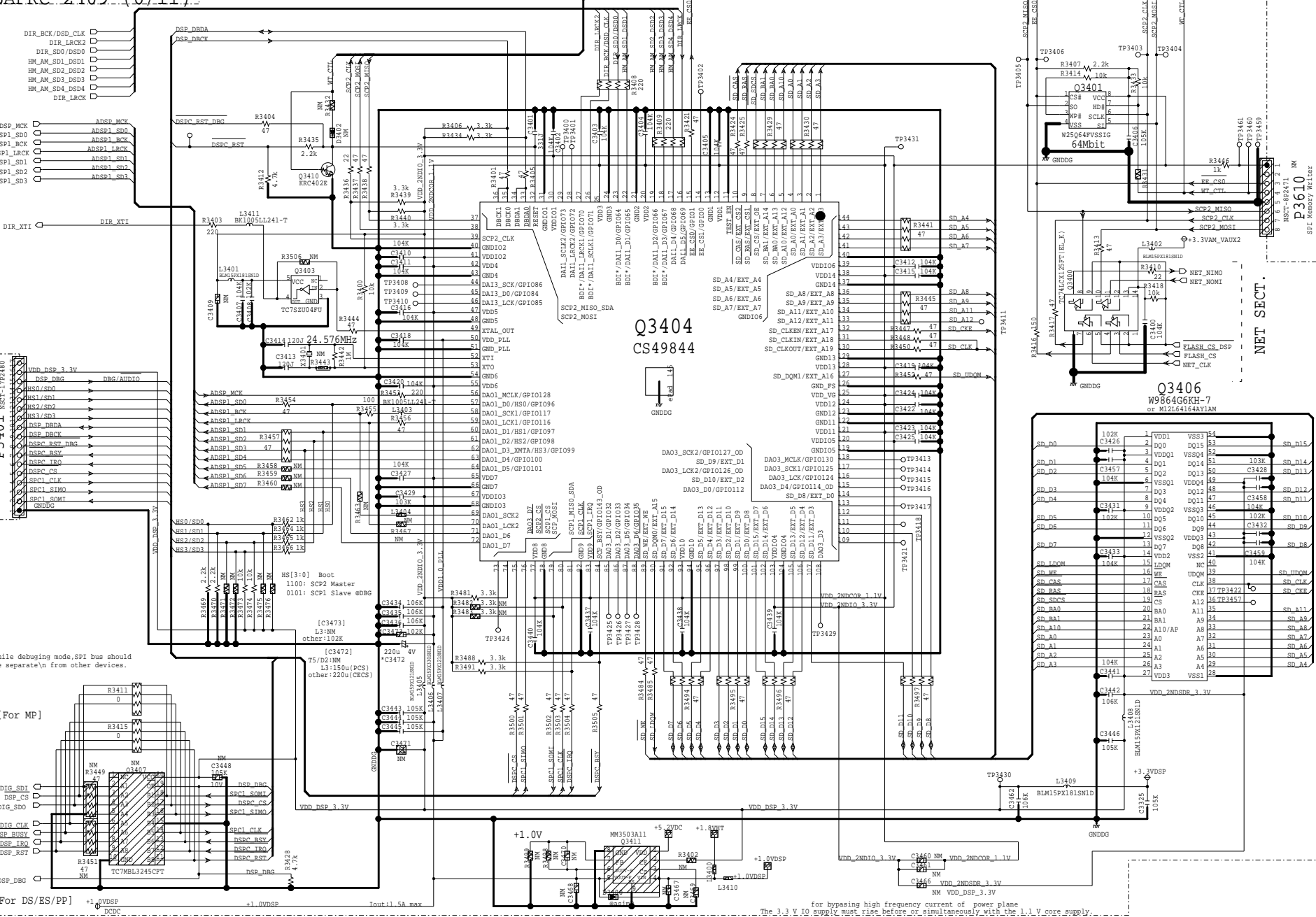
BAPRC-2409 (6/11)

DAC SECT.

For Debug P3401

MMPU SECT.

[For DS/ES/PP]



NET SECT.

While debugging mode, SPI bus should be separate from other devices.

[For MP]

[For DS/ES/PP]

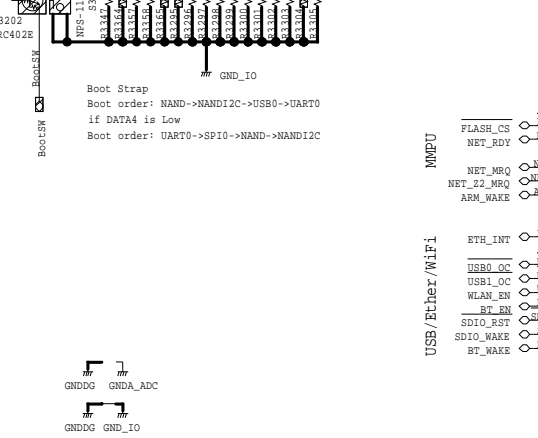
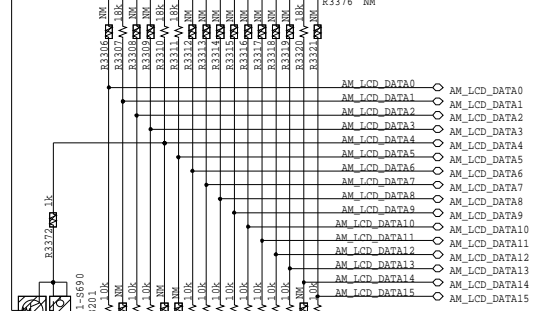
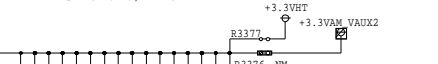
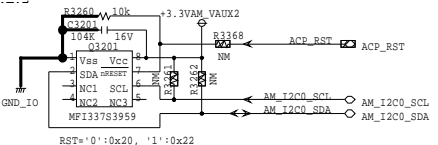
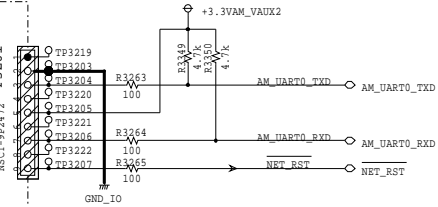
for bypassing high frequency current of power plane TP33 V1.0 supply must rise before or simultaneously with the 1.1V core supply.

PART-10 ARM IO SECTION

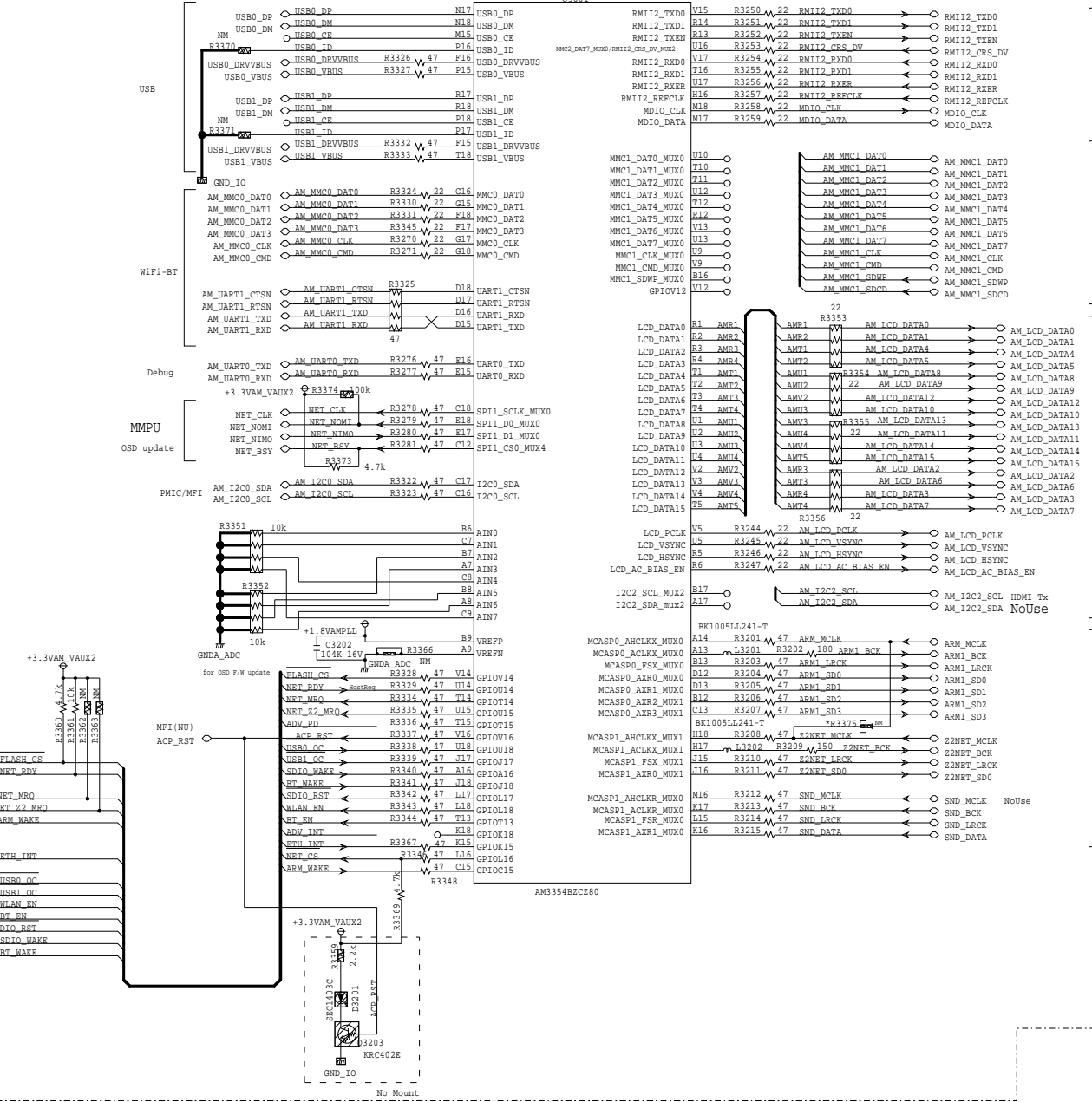
Schematic Diagram

BAPRC-2409 (7/11)

Debug (UART)



- MMPU
- FLASH_CS
 - NET_RDY
 - NET_MRQ
 - NET_ZZ_MRQ
 - ARM_WAKE
- USB/Ether/WiFi
- ETH_INT
 - USB1_OC
 - USB1_OC
 - WLAN_EN
 - BT_EN
 - SDIO_RST
 - SDIO_WAKE
 - BT_WAKE

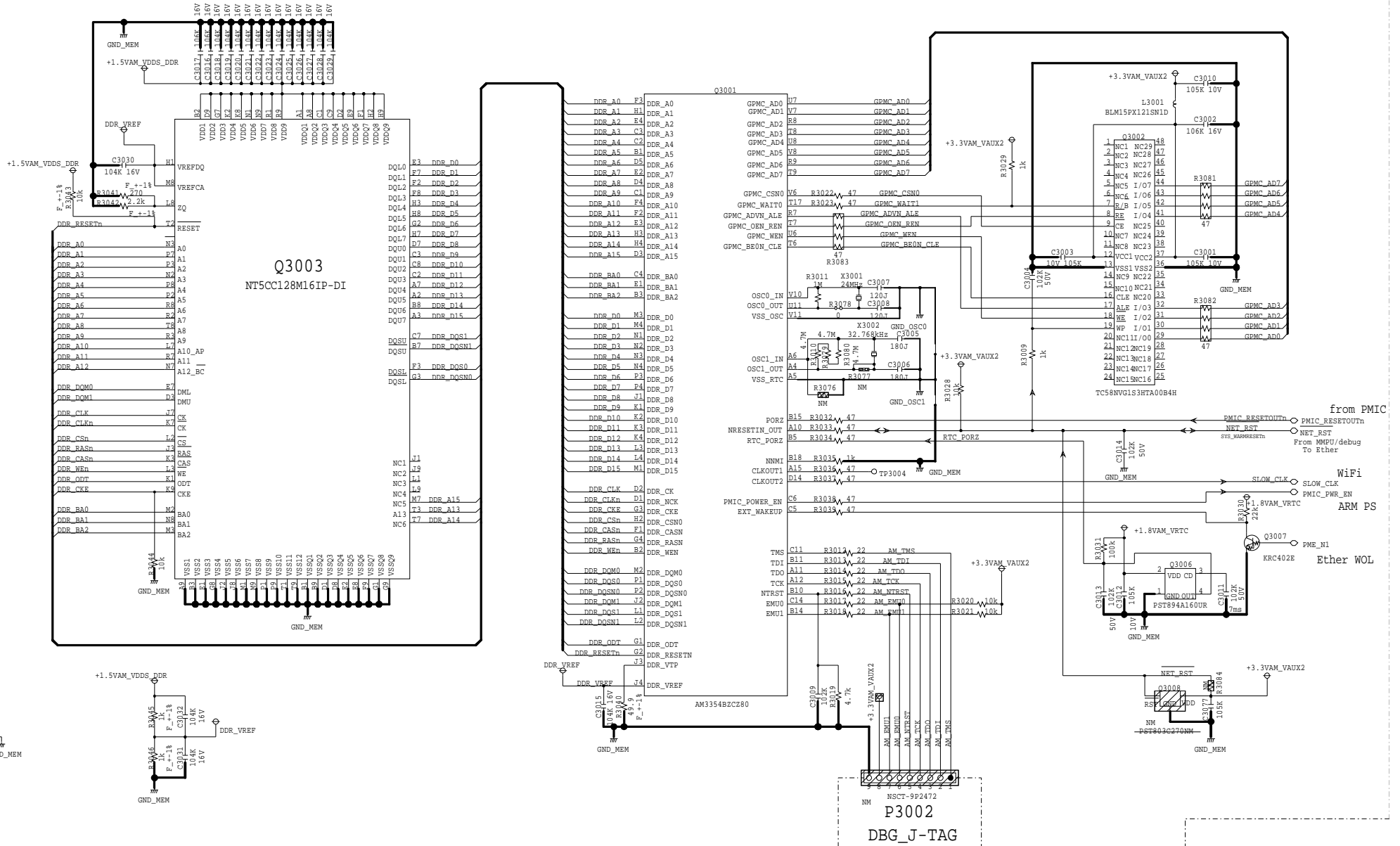


- Ethernet
- RMI2_TXD0
 - RMI2_TXD1
 - RMI2_TXEN
 - RMI2_CRS_DV
 - RMI2_RXD0
 - RMI2_RXD1
 - RMI2_RXER
 - RMI2_REFCLK
 - MDIO_CLK
 - MDIO_DATA
- SD/eMMC
- AM_MMC1_DATA0
 - AM_MMC1_DATA1
 - AM_MMC1_DATA2
 - AM_MMC1_DATA3
 - AM_MMC1_DATA4
 - AM_MMC1_DATA5
 - AM_MMC1_DATA6
 - AM_MMC1_DATA7
 - AM_MMC1_CMD
 - AM_MMC1_SNDP
 - AM_MMC1_SDCC
- NoUse
- VIDEO
- AM_LCD_DATA0
 - AM_LCD_DATA1
 - AM_LCD_DATA2
 - AM_LCD_DATA3
 - AM_LCD_DATA4
 - AM_LCD_DATA5
 - AM_LCD_DATA6
 - AM_LCD_DATA7
 - AM_LCD_DATA8
 - AM_LCD_DATA9
 - AM_LCD_DATA10
 - AM_LCD_DATA11
 - AM_LCD_DATA12
 - AM_LCD_DATA13
 - AM_LCD_DATA14
 - AM_LCD_DATA15
- VSP
- AM_LCD_PCLK
 - AM_LCD_VSYNC
 - AM_LCD_HSYNC
 - AM_LCD_AC_BIAS_EN
- DIR/DAC
- ARM_MCLK
 - ARM1_BCK
 - ARM1_LRCK
 - ARM1_SDO
 - ARM1_SDI
 - ARM1_SDP2
 - ARM1_SDP3
 - Z2NET_MCLK
 - Z2NET_LRCK
 - Z2NET_BCK
 - Z2NET_SDO
 - SND_MCLK
 - SND_BCK
 - SND_LRCK
 - SND_DATA
- NoUse

PART-10 ARM Memory SECTION

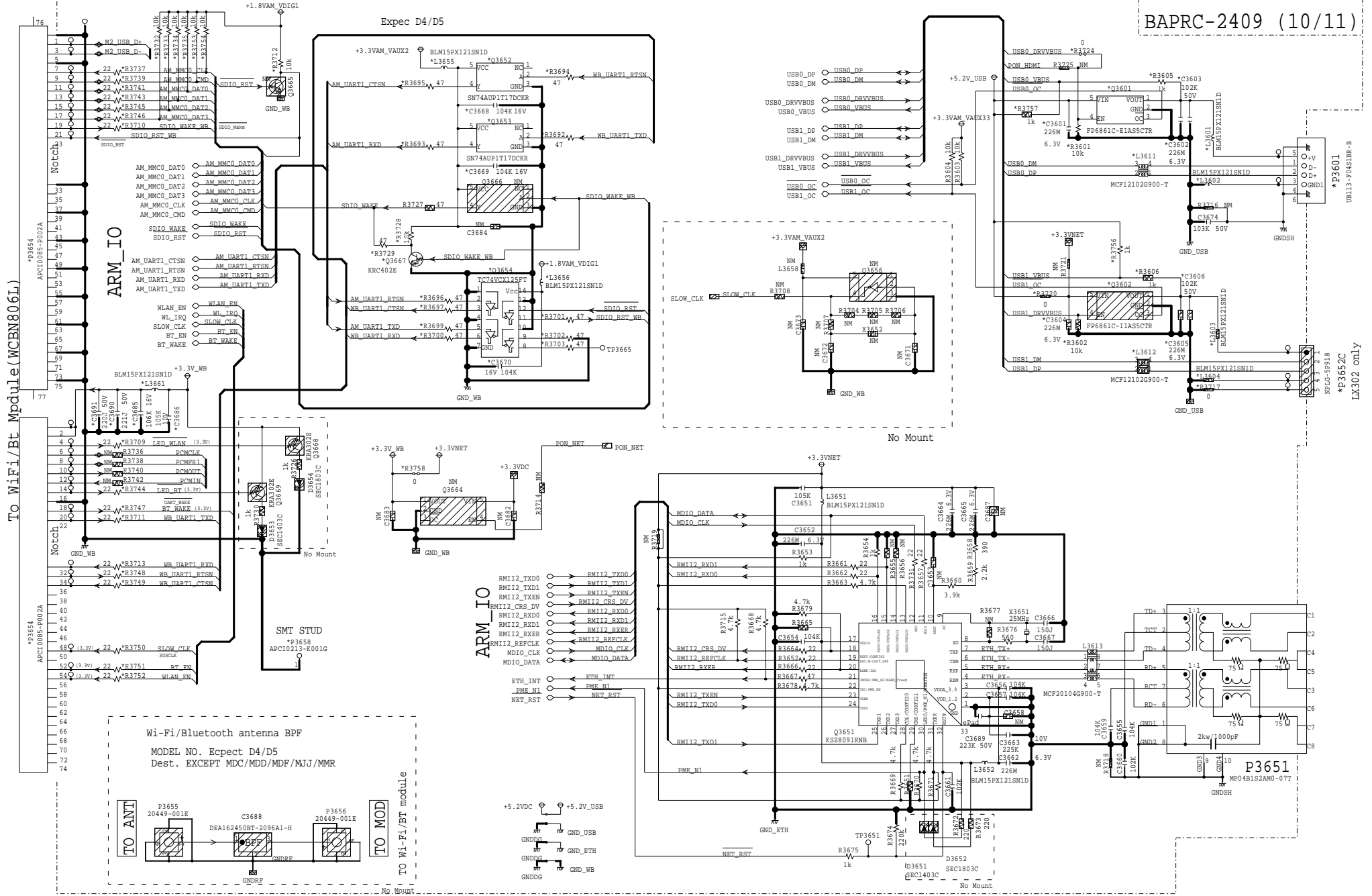
BAPRC-2409 (9/11)

Schematic Diagram



PART-10 ARM USB Ethernet WiFi SECTION

Schematic Diagram



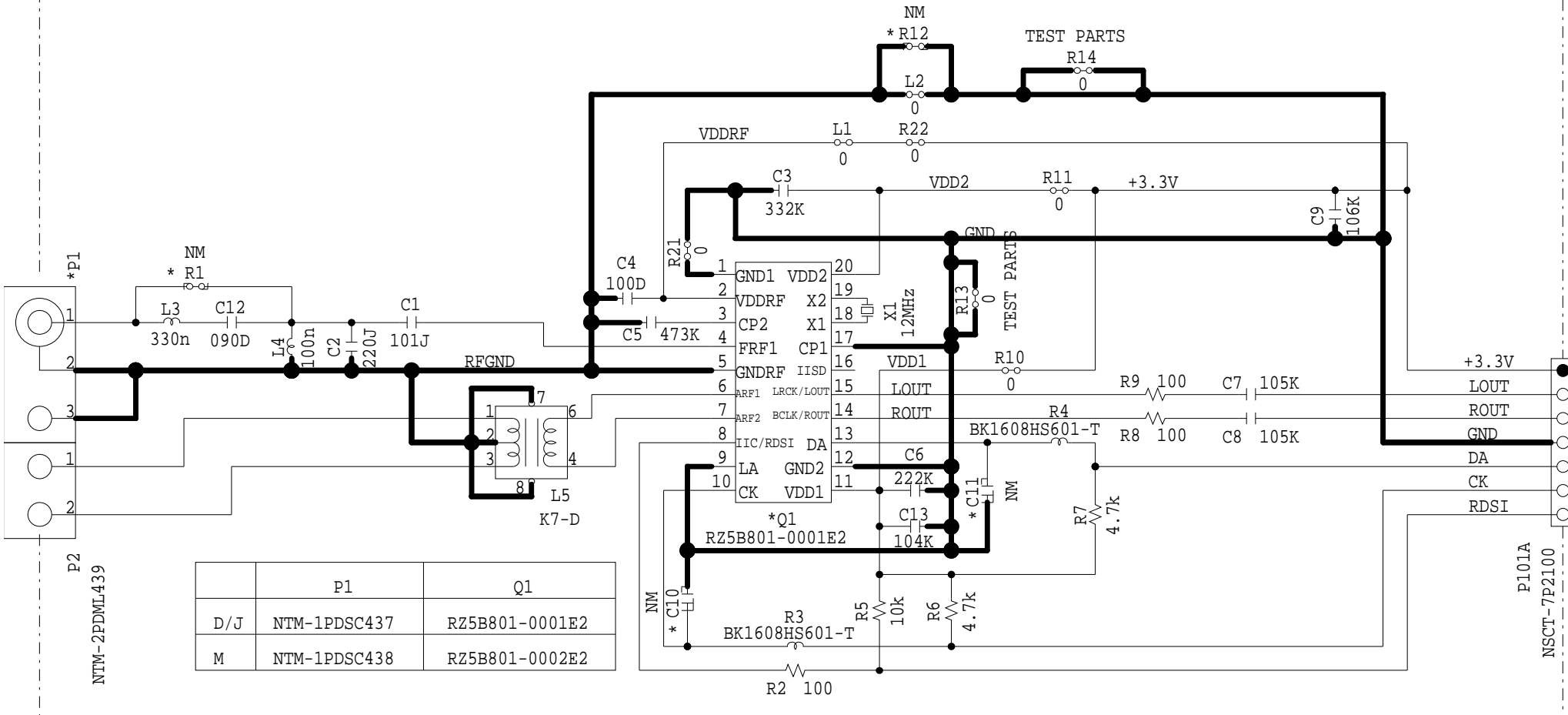
BAPRC-2409 (10/11)

TX-NR676/NR676E/NR777/HT-R997

PART-11 TUNER SECTION

Schematic Diagram

BARF-1987-2/1995-2/2003-2/
~~2019-2~~



TO BADG-1985-2/2001-2/
 2017-2/2032-2(PART-9)

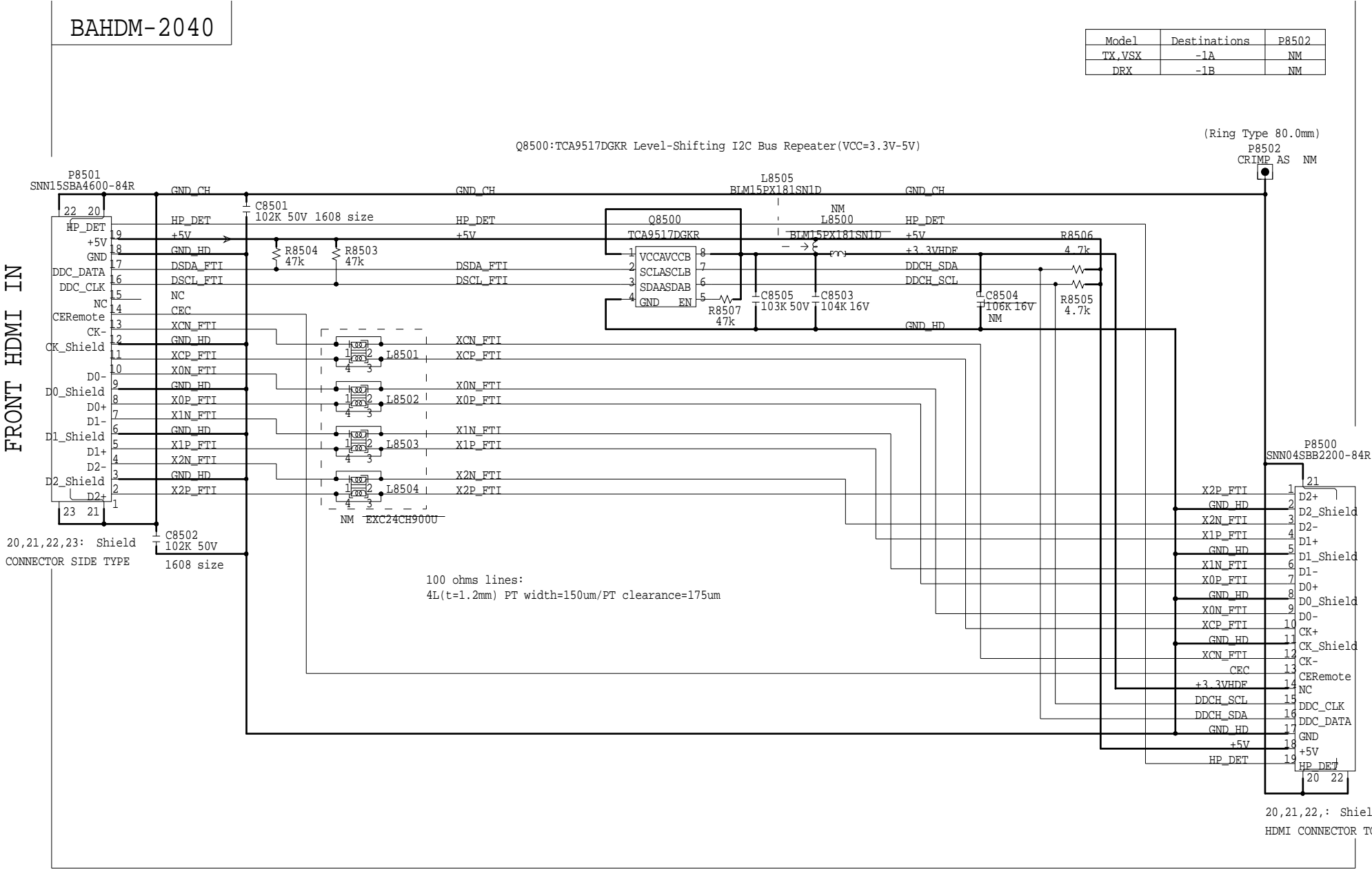
FRONT HDMI SECTION

Schematic Diagram

Model	Destinations	P8502
TX_VSX	-1A	NM
DRX	-1B	NM

Q8500:TCA9517DGKR Level-Shifting I2C Bus Repeater(VCC=3.3V-5V)

(Ring Type 80.0mm)
P8502
CRIMP AS NM



BAPRC-2034
(Part-10 SHEET 39/51)

Packing

Exploded View

BATTERY
A805, A806, A807, A810
A901, A902, A905, A910, A920, A921
ACCESSORY BAG
(INSTRUCTION MANUAL etc.)

A503+Unit
TOP OF UNIT

A803
REMOTE
CONTROLLER

A501A
PAD
(TOP FRONT)

A501B
PAD
(TOP REAR)

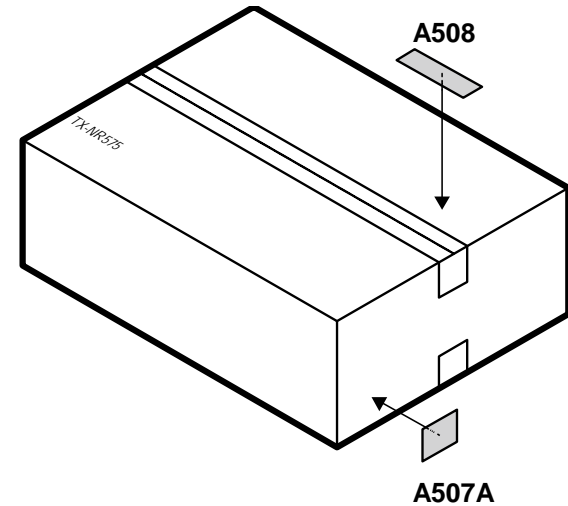
A502A
PAD
(BOTTOM FRONT)

A502B
PAD
(BOTTOM REAR)

FORWARD

A505
CARTON

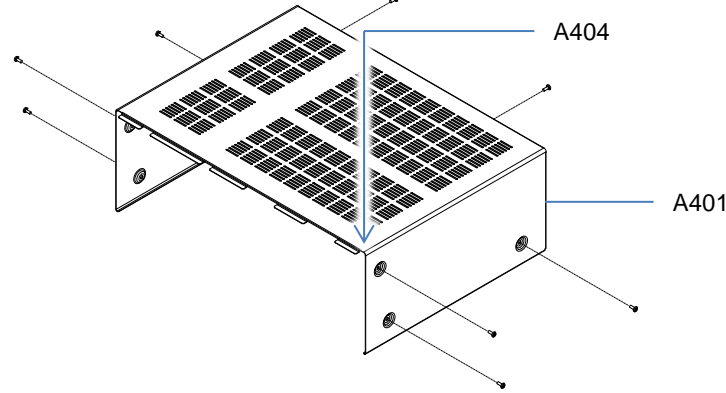
A501 = A501A + A502B, A502 = A502A + A502B



Overview

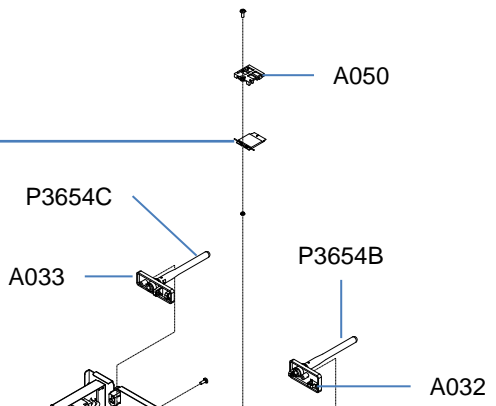
(Shape or q'ty of the terminal, knob and button: Please see panel page.)

Exploded View

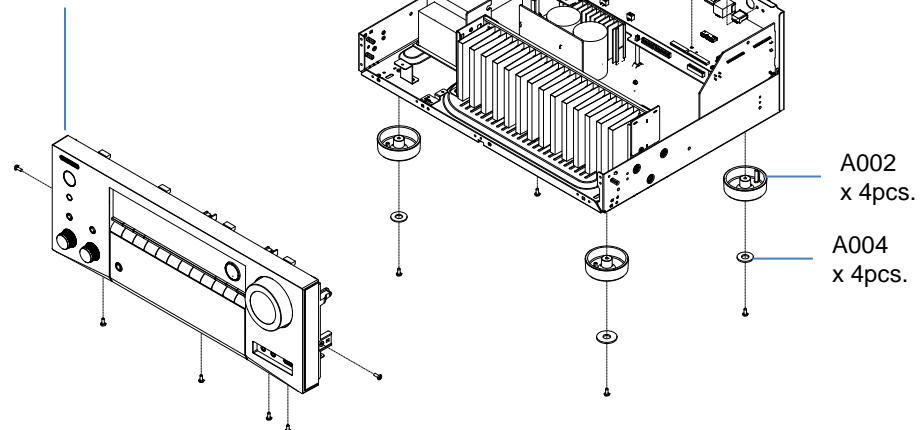


P3654A : WiFi/Bluetooth Module

* This module transmitter does not have RF shielding, therefore it will be equipped only the tested Audio system mentioning this document. Additional test will be required if it will be equipped to the other devices



Refer to Rear section
Refer to Front section



*** WiFi & Bluetooth Module has already been certificated by FCC and IC.**
Information to the user.
Indicate "Contains FCC ID: TX2-RTL8821AE", "Contains IC: 6317A-RTL8821AE" and following information to the host device installed.

This device complies with part 15 of the FCC Rules. Operation is subject to the following two conditions: (1) This device may not cause harmful interference, and (2) this device must accept any interference received, including interference that may cause undesired operation.

Describe the following sentence to a user's manual of the host device.

[For FCC]
FCC CAUTION
Changes or modifications not expressly approved by the party responsible for compliance could void the user's authority to operate the equipment.

Note: This equipment has been tested and found to comply with the limits for a Class B digital device, pursuant to part 15 of the FCC Rules. These limits are designed to provide reasonable protection against harmful interference in a residential installation. This equipment generates, uses and can radiate radio frequency energy and, if not installed and used in accordance with the instructions, may cause harmful interference to radio communications. However, there is no guarantee that interference will not occur in a particular installation. If this equipment does cause harmful interference to radio or television reception, which can be determined by turning the equipment off and on, the user is encouraged to try to correct the interference by one or more of the following measures:
—Reorient or relocate the receiving antenna.
—Increase the separation between the equipment and receiver.
—Connect the equipment into an outlet on a circuit different from that to which the receiver is connected.
—Consult the dealer or an experienced radio/TV technician for help.

This transmitter must not be co-located or operated in conjunction with any other antenna or transmitter.

This equipment complies with FCC radiation exposure limits set forth for an uncontrolled environment and meets the FCC radio frequency (RF) Exposure Guidelines in Supplement C to OET65. This equipment has very low levels of RF energy that it deemed to comply without maximum permissive exposure evaluation (MPE). But it is desirable that it should be installed and operated keeping the radiator at least 20cm or more away from person's body (excluding extremities: hands, wrists, feet and ankles).

[For IC]
CAN ICES-3 B/NMB-3 B

This device complies with Industry Canada licence-exempt RSS standard(s). Operation is subject to the following two conditions: (1) this device may not cause interference, and (2) this device must accept any interference, including interference that may cause undesired operation of the device.

Le présent appareil est conforme aux CNR d'Industrie Canada applicables aux appareils radio exempts de licence. L'exploitation est autorisée aux deux conditions suivantes : (1) l'appareil ne doit pas produire de brouillage, et (2) l'utilisateur de l'appareil doit accepter tout brouillage radioélectrique subi, même si le brouillage est susceptible d'en compromettre le fonctionnement.

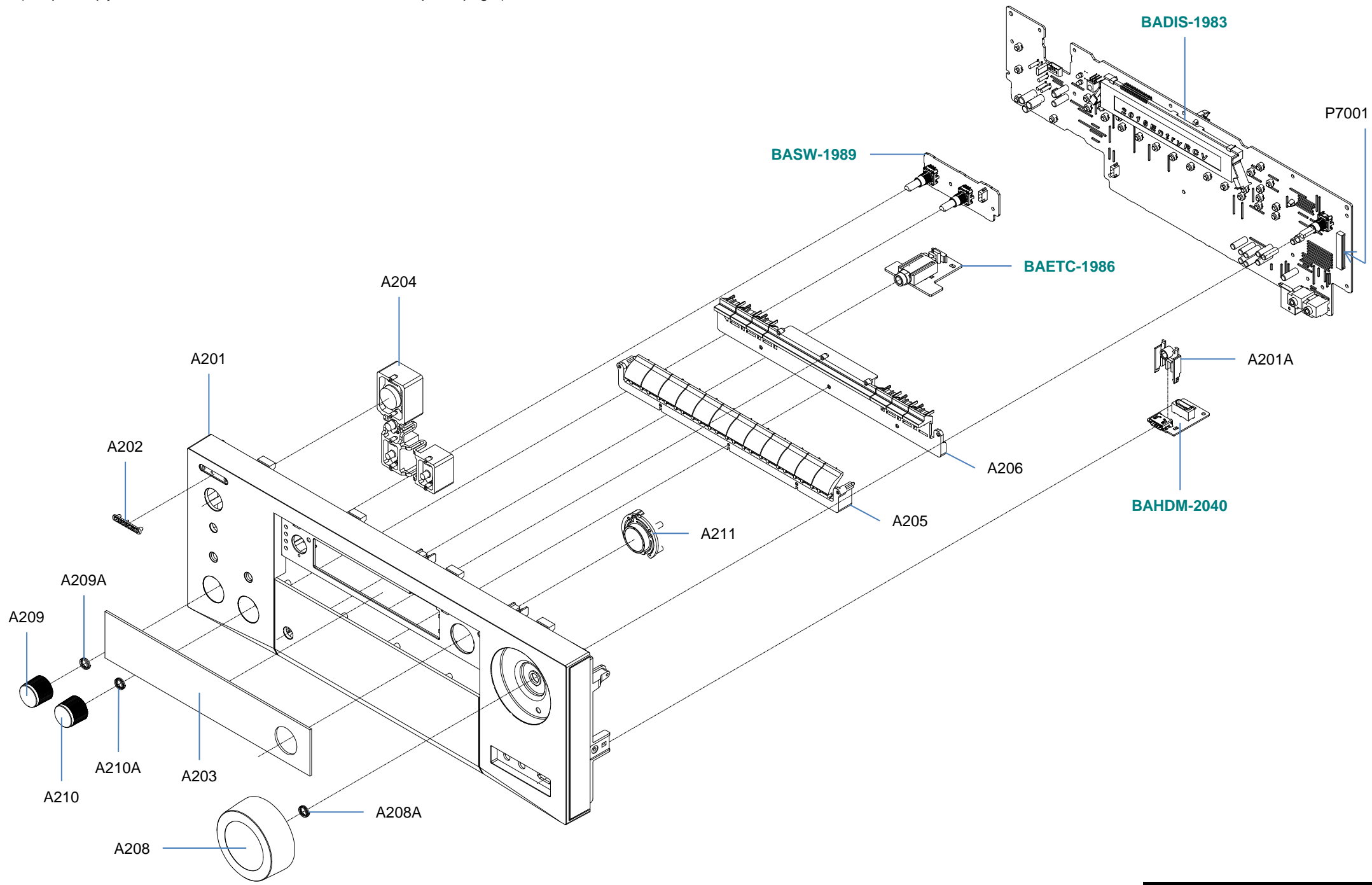
This equipment complies with IC radiation exposure limits set forth for an uncontrolled environment and meets RSS-102 of the IC radio frequency (RF) Exposure rules. This equipment has very low levels of RF energy that it deemed to comply without maximum permissive exposure evaluation (MPE). But it is desirable that it should be installed and operated keeping the radiator at least 20cm or more away from person's body (excluding extremities: hands, wrists, feet and ankles).

Cet équipement est conforme aux limites d'exposition aux rayonnements énoncées pour un environnement non contrôlé et respecte les règles d'exposition aux fréquences radioélectriques (RF) CNR-102 de l'IC. Cet équipement émet une énergie RF très faible qui est considérée conforme sans évaluation de l'exposition maximale autorisée. Cependant, cet équipement doit être installé et utilisé en gardant une distance de 20 cm ou plus entre le dispositif rayonnant et le corps (à l'exception des extrémités : mains, poignets, pieds et chevilles).

Front section

(Shape or q'ty of the terminal, knob and button: Please see panel page.)

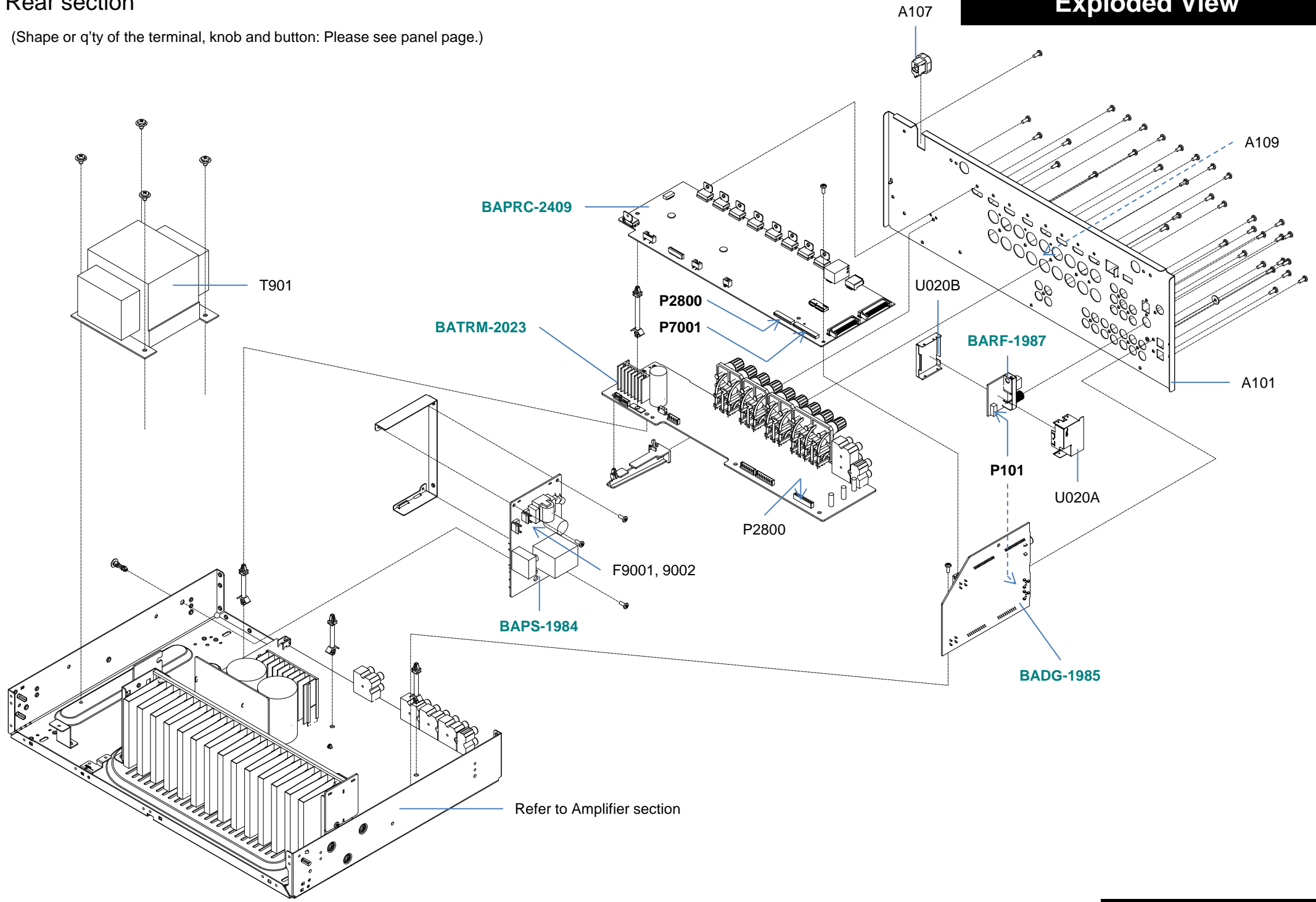
Exploded View



Rear section

(Shape or q'ty of the terminal, knob and button: Please see panel page.)

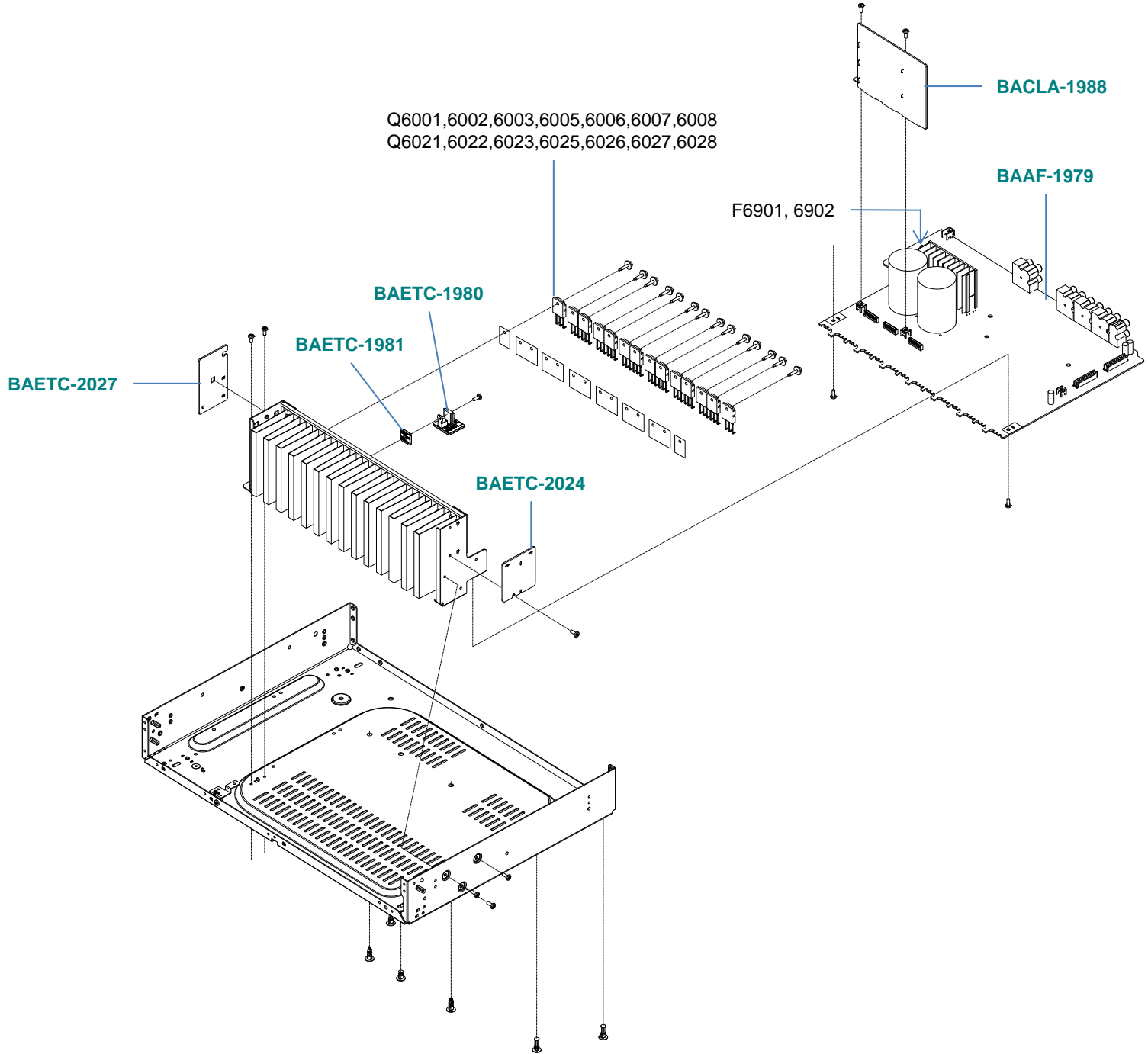
Exploded View



Amplifier section

(Shape or q'ty of the terminal, knob and button: Please see panel page.)

Exploded View

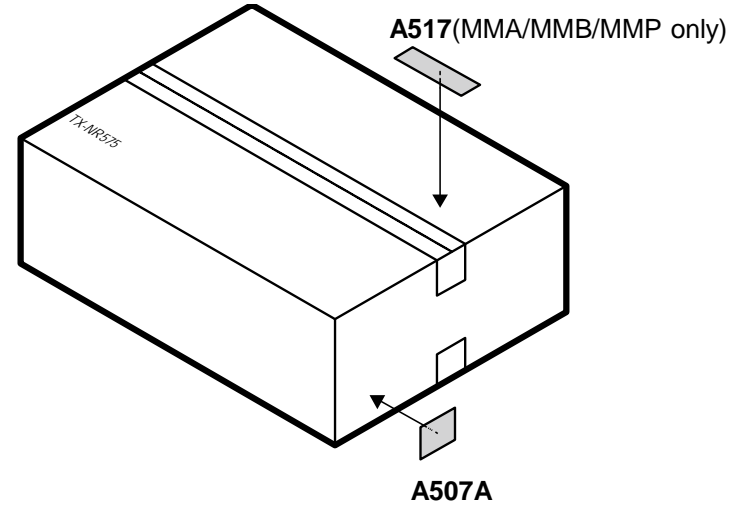
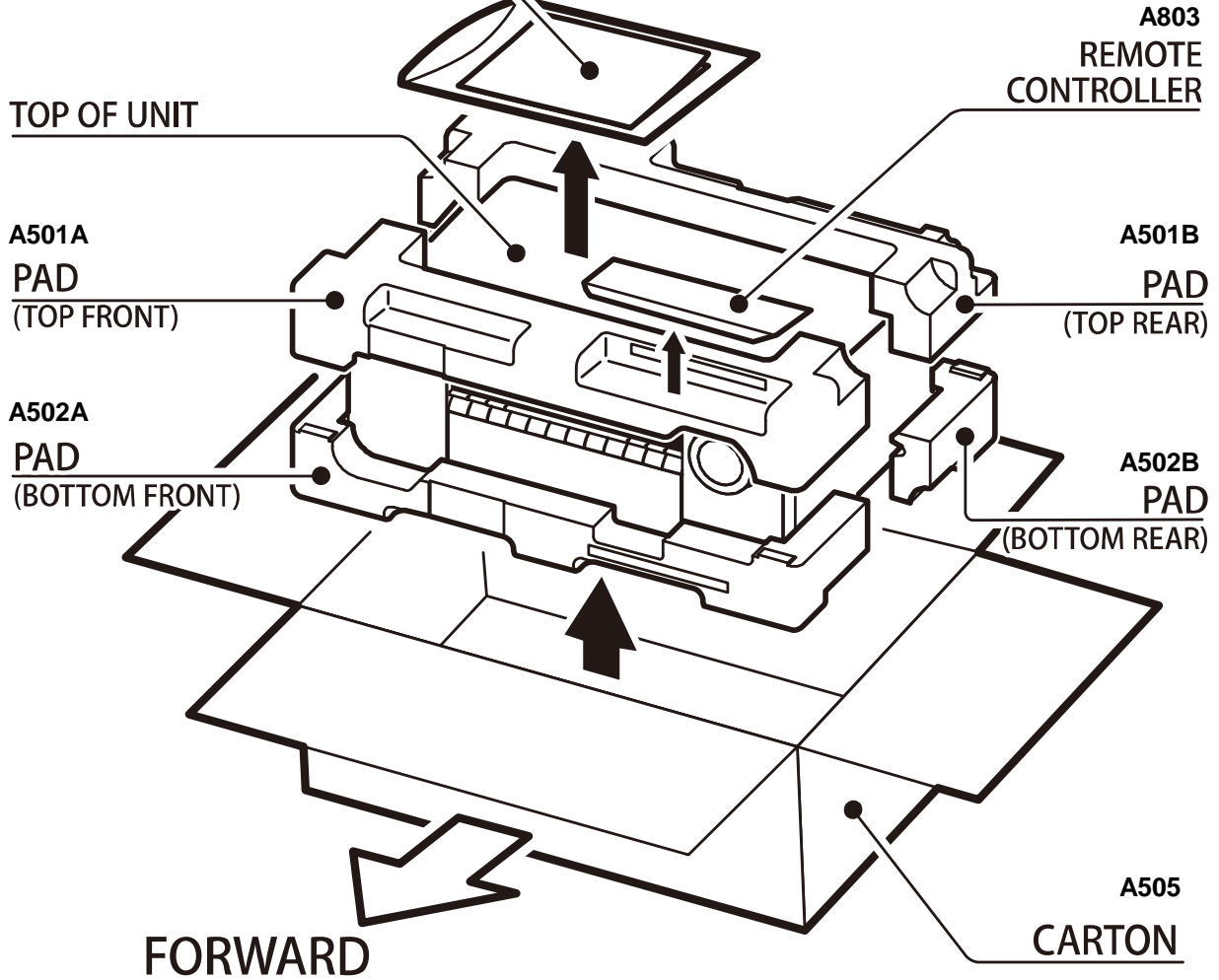


Packing

Exploded View

- BATTERY(Except of MMR)
- P9001(MDF only)
- A805, A806, A807, A910, A921
- A808, A810, A911(MMR only)
- A901, A905, A920(Except of MMR)
- A902, A903(MMP only)
- A904(Except of MMA/MMP)
- A906(MDF/MMR only)

ACCESSORY BAG
(INSTRUCTION MANUAL etc.)



A501 = A501A + A502B, A502 = A502A + A502B

TX-NR676E

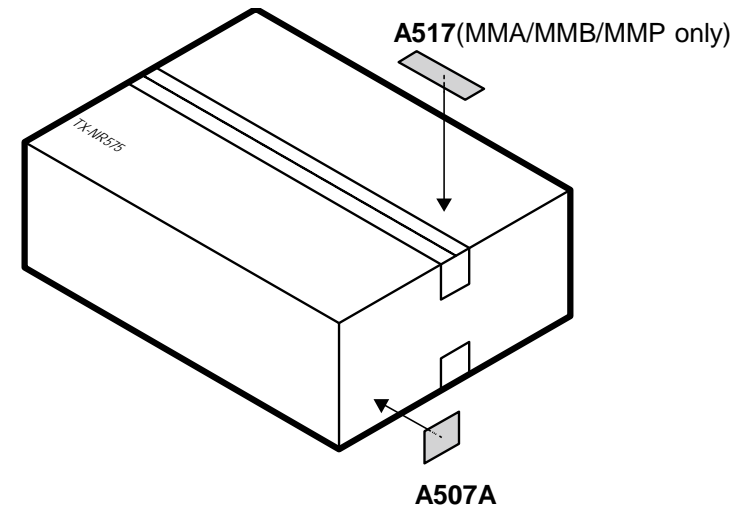
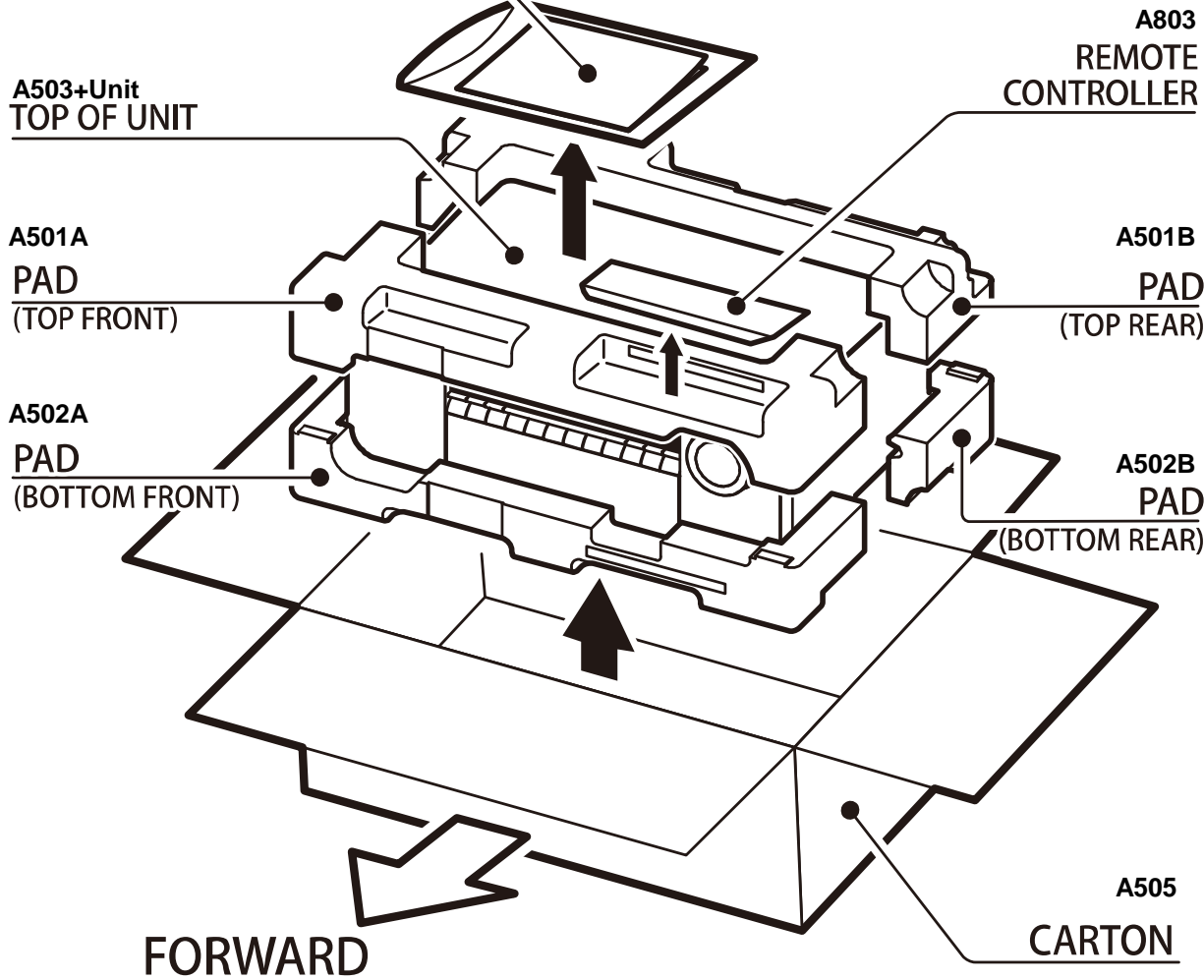
Packing

Exploded View

- BATTERY(Except of MMR)
- P9001(MDF only)
- A805, A806, A807, A910, A921
- A808, A810, A911(MMR only)
- A901, A905, A920(Except of MMR)
- A902, A903(MMP only)
- A904(Except of MMA/MMP)
- A906(MDF/MMR only)

ACCESSORY BAG

(INSTRUCTION MANUAL etc.)

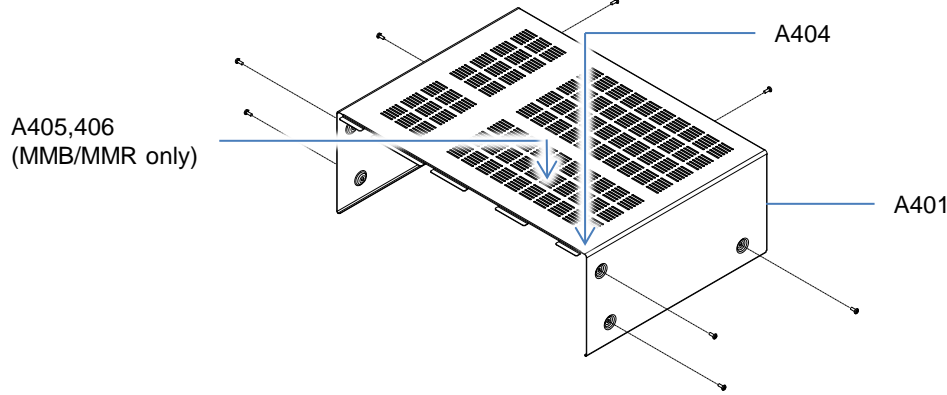


A501 = A501A + A502B, A502 = A502A + A502B

Overview

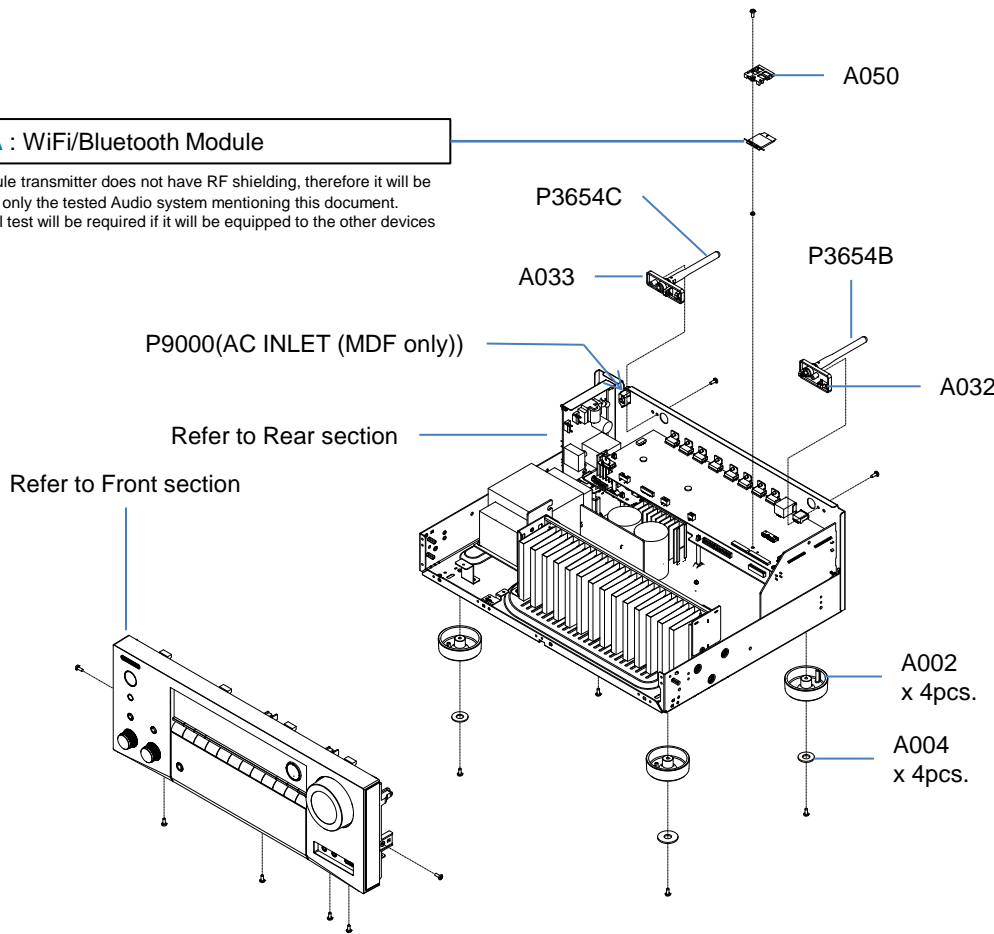
(Shape or q'ty of the terminal, knob and button: Please see panel page.)

Exploded View



P3654A : WiFi/Bluetooth Module

* This module transmitter does not have RF shielding, therefore it will be equipped only the tested Audio system mentioning this document. Additional test will be required if it will be equipped to the other devices



* WiFi & Bluetooth Module has already been certificated by FCC and IC.

Information to the user.
Indicate "Contains FCC ID: TX2-RTL8821AE", "Contains IC: 6317A-RTL8821AE" and following information to the host device installed.

This device complies with part 15 of the FCC Rules. Operation is subject to the following two conditions: (1) This device may not cause harmful interference, and (2) this device must accept any interference received, including interference that may cause undesired operation.

Describe the following sentence to a user's manual of the host device.

[For FCC]
FCC CAUTION

Changes or modifications not expressly approved by the party responsible for compliance could void the user's authority to operate the equipment.

Note: This equipment has been tested and found to comply with the limits for a Class B digital device, pursuant to part 15 of the FCC Rules. These limits are designed to provide reasonable protection against harmful interference in a residential installation. This equipment generates, uses and can radiate radio frequency energy and, if not installed and used in accordance with the instructions, may cause harmful interference to radio communications. However, there is no guarantee that interference will not occur in a particular installation. If this equipment does cause harmful interference to radio or television reception, which can be determined by turning the equipment off and on, the user is encouraged to try to correct the interference by one or more of the following measures:

- Reorient or relocate the receiving antenna.
- Increase the separation between the equipment and receiver.
- Connect the equipment into an outlet on a circuit different from that to which the receiver is connected.
- Consult the dealer or an experienced radio/TV technician for help.

This transmitter must not be co-located or operated in conjunction with any other antenna or transmitter.

This equipment complies with FCC radiation exposure limits set forth for an uncontrolled environment and meets the FCC radio frequency (RF) Exposure Guidelines in Supplement C to OET65. This equipment has very low levels of RF energy that it deemed to comply without maximum permissive exposure evaluation (MPE). But it is desirable that it should be installed and operated keeping the radiator at least 20cm or more away from person's body (excluding extremities: hands, wrists, feet and ankles).

[For IC]
CAN ICES-3 B/NMB-3 B

This device complies with Industry Canada licence-exempt RSS standard(s). Operation is subject to the following two conditions: (1) this device may not cause interference, and (2) this device must accept any interference, including interference that may cause undesired operation of the device.

Le présent appareil est conforme aux CNR d'Industrie Canada applicables aux appareils radio exempts de licence. L'exploitation est autorisée aux deux conditions suivantes : (1) l'appareil ne doit pas produire de brouillage, et (2) l'utilisateur de l'appareil doit accepter tout brouillage radioélectrique subi, même si le brouillage est susceptible d'en compromettre le fonctionnement.

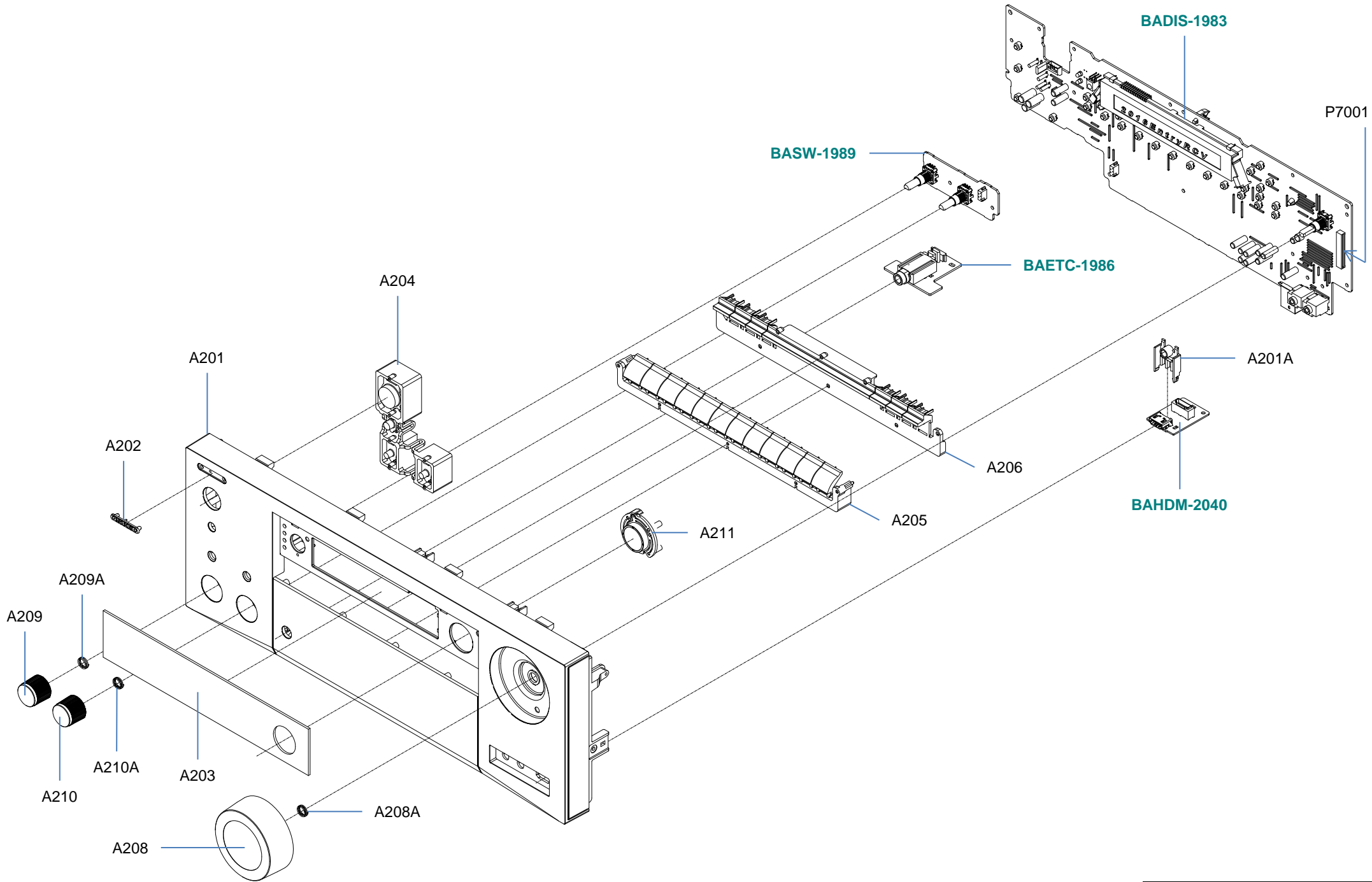
This equipment complies with IC radiation exposure limits set forth for an uncontrolled environment and meets RSS-102 of the IC radio frequency (RF) Exposure rules. This equipment has very low levels of RF energy that it deemed to comply without maximum permissive exposure evaluation (MPE). But it is desirable that it should be installed and operated keeping the radiator at least 20cm or more away from person's body (excluding extremities: hands, wrists, feet and ankles).

Cet équipement est conforme aux limites d'exposition aux rayonnements énoncées pour un environnement non contrôlé et respecte les règles d'exposition aux fréquences radioélectriques (RF) CNR-102 de l'IC. Cet équipement émet une énergie RF très faible qui est considérée conforme sans évaluation de l'exposition maximale autorisée. Cependant, cet équipement doit être installé et utilisé en gardant une distance de 20 cm ou plus entre le dispositif rayonnant et le corps (à l'exception des extrémités : mains, poignets, pieds et chevilles).

Front section

(Shape or q'ty of the terminal, knob and button: Please see panel page.)

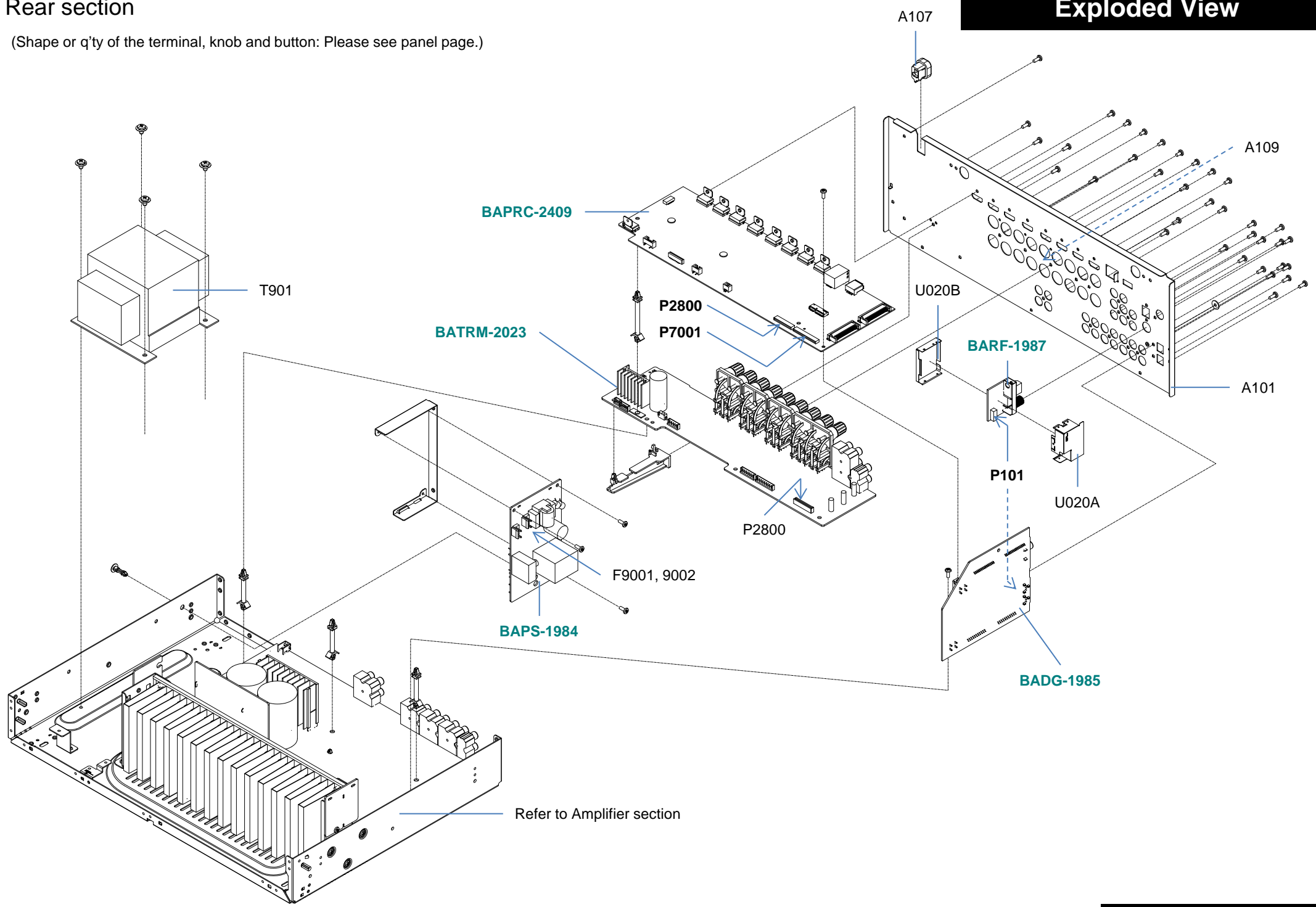
Exploded View



Rear section

(Shape or q'ty of the terminal, knob and button: Please see panel page.)

Exploded View



Notation button operation

Use the following expressions to simplify the description of the button operation.

E.g.1)

[TV] + [ON/STANDBY] → [BD/DVD]

This means "While holding down TV button, press ON/STANDBY button then release both buttons and then press BD/DVD button".

E.g.2)

[DISPLAY] + [ON/STANDBY] x 2 → [DIMMER]

This means "While holding down DISPLAY button, press ON/STANDBY button twice then release both buttons and then press DIMMER button".

Reset

Step1. STORE (To save user preferences.)

[SETUP] + [ENTER] x2

Step2. RESET

1. [TV] + [ON/STANDBY] with Volume 40

2. [ON/STANDBY]

※) "All Clear" appears on the display and the unit returns to standby. Do not unplug the power cord until "All Clear" disappears from the display.

Step3. RECALL (To load user preferences.)

[SETUP] + [RETURN] x2

1 2 3 4 5 6
MAIN checksum verification.

Appendix

[DIMMER] + [ON/STANDBY] x 2 → [ENTER]

A B C D
TX-NR575/676/676E/777
HT-R997
TX-RZ620/720/820
DRX-2.1/3.1
1 2 3 4 5 6

Temperature sensor check

[DIMMER] + [ON/STANDBY] x 2 → [TONE]



VOLH LEVEL

TEMPERATURE [°C]

THERMISTOR
o = High
x = Low
- = No Support

FAN SPEED
H = High
L = Low
x = Stop or
No Support

AMP POWER SEC
H = High
L = Low

Key operation check

TEST 1-06

Set Volume 40

[TV] + [ON/STANDBY]

Display "TEST-"

[BD/DVD]

Display "TEST 1-00"

In the test mode, turning rotary encoder for TONE to the right is TEST MODE UP and turning rotary encoder for TONE to the left is TEST MODE DOWN.

※)

If "ON/STANDBY" button is pressed, AVR escapes from this KEY test mode.

Therefore, press the "ON/STANDBY" button, after checking other buttons finished.

Check the FL tube and LED.

Confirm that all LEDs and all segments of FL tube are lit.

1. Set Volume 40
2. [TV] + [ON/STANDBY] → [Dimmer]

Check the FL tube.

1. Set Volume 40
2. [TV] + [ON/STANDBY] → [DIMMER]
[TONE +] = Step UP
[TONE -] = Step DOWN

The contents of the step are as follows.

1. Lit all segment.
2. Lit '23456789ABCDEF'.
3. Lit a even number segment.
4. Lit an odd number segment.
5. The Destination setting is displayed.

TX-NR676(B)MDC**<Note>**

1. Parts marked by "NSP" are generally unavailable because they are not in our Master Spare Parts List.
 2. The ! mark found on some component parts indicates the importance of the safety factor of the part.
- Therefore, when replacing, be sure to use parts of identical designation.

(B) : Black color model**<MDC> : 120V****Canadian/USA/(Mexico) model**

: NSP

REF. NO.	PART NAME	DESCRIPTION	Q'TY	PART NO. (SN)	REMARKS
[Cabinet, Chassis, Screws, Nuts]					
A001	CHASSIS	TX-NR555	1	27100602	NSP
A002	LEG	(B)	4	27175464	
A004	CUSHION	(ZUL)	4	28141877	
A005	SCREW	3TTB+8B(3BC)	4	838430088GR	NSP
A006	HOLDER	(CPS-8)	2	27191383	NSP
A006or	HOLDER	KGLS-8RT	(2)	27190503A	NSP
A007	HOLDER	(NPS-8)	2	27191387	NSP
A007or	HOLDER	KGPS-8RF	(2)	27191044	N NSP
A010	HOLDER	(NPS-14)	2	27191388	NSP
A010or	HOLDER	KGPS-14RF	(2)	27190802	NSP
A012	HOLDER	(CPS-12)	1	27191385	NSP
A012or	HOLDER	KGLS-12RT	(1)	27190266	NSP
A014	HOLDER	(PGS-22)	3	27191382	NSP
A014or	HOLDER	KGLS-22S	(3)	27190369	N NSP
A015	HOLDER	PGS-26	1	27191405	NSP
A016	HEAT SINK	TX-NR656	1	27160703	NSP
A017	RETAINER	(HR)TX-NR656	1	27142349	NSP
A018	RETAINER	(HL)TX-NR656	1	27142350	NSP
A019	SCREW	3SMS8W.SW+14B(CU)	14	801634	NSP
A020	SCREW	3TTB+8B(3BC)	4	838430088GR	NSP
A021	SCREW	3TTB+8B(3BC)	1	838430088GR	NSP
A022	SCREW	3TTB+8B(3BC)	2	838430088GR	NSP
A023	SCREW	3TTB+8B(3BC)	2	838430088GR	NSP
A024	RETAINER	(B)	1	27142141A	NSP
A025	SCREW	3TTB+8B(3BC)	2	838430088GR	NSP
A026	SCREW	3TTB+8B(3BC)	1	838430088GR	NSP
A027	SCREW	3TTB+8B(3BC)	3	838430088GR	NSP
A028	SCREW	3TTB+8B(3CM)SR	2	801637	NSP
A029	RETAINER	(PS)TX-NR656	1	27142351	NSP
A030	SCREW	3TTB+8B(3BC)	3	838430088GR	NSP
A031	SCREW	4TTC+8C(3BC)SR	4	801658	NSP
A032	HOLDER	(ANNTENA-1)	1	27191416	NSP
A033	HOLDER	(ANNTENA-2)	1	27191417	NSP
A035	HOLDER	(PRC)	1	27191419A	NSP
A036A	LABEL	(E-CON)	1	29364978	NSP
A037	WIRE TIE	BSK-1	6	260208	NSP
A038	TAPE	TAPE(CLOTH-16U)	0.1	29110083	NSP
A039	RETAINER	(HDMI)TX-NR656	2	27142352	NSP
A040	SCREW	3TTB+8B(3BC)	4	838430088GR	NSP
A041	LABEL	(PT)ONKYO	1	29392594	
A050	HOLDER	(PLUG)	1	27191418A	
A051	SCREW	2B+5FN(3CM)	1	82512005	NSP
A101	REAR PANEL	(TXNR676MDC)	1	27124863	
A102	SCREW	3TTB+8B(3BC)	29	838430088GR	NSP

A103	SCREW	3P+6FN(3BC)	8	82143006GR	NSP
A104	CUSHION	.	2	28141799	NSP
A105	SCREW	3TTB+8B(3CM)SR	1	801637	NSP
A106	WASHER	W3*10F(3BC)	1	87643010GR	NSP
A107	BUSHING	S-RELIEF #2271	1	27300750	! NSP
A109	LABEL	SP(9ch)_onk	1	29393160A	
A110	TAPE	TAPE(CLOTH-8U)	0.02	29110082	NSP
A201	FRONT PANEL	(TXNR676(B)DC)	1	27213962A	
A201A	HOLDER	(HDMI)TXNR656(B)	1	27191420	NSP
A202	BADGE	(ONKYO)	1	28135338	
A203	CLEAR PLATE	TXNR555(B)DC	1	28192470	
A204	KNOB	(STBY)TX-NR555(B)	1	28327261	
A205	KNOB	(SEL)TX-NR555	1	28327260	
A206	KNOB	(INP)TX-NR555(B)	1	28327258	
A208	KNOB	(VOL)AS_TX-NR555(B)	1	28327270	
A208A	SPRING	.	{1}	27180575	
A209	KNOB	(TONE)AS_TX-NR555(B)	1	28327250	
A209A	SPRING	.	{1}	27180575	
A210	KNOB	(TONE)AS_TX-NR555(B)	1	28327250	
A210A	SPRING	.	{1}	27180575	
A211	KNOB	(CUR)	1	28326907B	
A221	SCREW	2.6TTB+8B(3BC)	18	838426088GR	NSP
A222	SCREW	3TTB+8B(3BC)	7	838430088GR	NSP
A223	HOLDER	(CRAMP) UA-0 V0	1	27190608-1	NSP
A230	TAPE	TAPE(CLOTH-8U)	0.03	29110082	NSP
A401	COVER	VSX831(B) (Bent)	1	28210149-1	
A401	COVER	VSX831(B) (Not Bent)	1	28210149-1Z	
A402	SCREW	3TTB+8B(3BC)	8	838430088GR	NSP
A404	LABEL	(CAUTION)	1	29392531	
A410	LABEL	(POP TXNR676MDC)	<<1>>	29393654	N NSP
[Semi-conductors]					
Q6001	TRANSISTOR	2SC5242-O	1	2202843	
Q6001or	TRANSISTOR	2SC5242-R	(1)	2202842	
Q6001A	ISO SHEET	AC238	2	223024	
Q6001B	ISO SHEET	ISO SHEET	6	223050	
Q6002	TRANSISTOR	2SC5242-O	1	2202843	
Q6002or	TRANSISTOR	2SC5242-R	(1)	2202842	
Q6003	TRANSISTOR	2SC5242-O	1	2202843	
Q6003or	TRANSISTOR	2SC5242-R	(1)	2202842	
Q6005	TRANSISTOR	KTC5242A-O	1	2203953	N
Q6005or	TRANSISTOR	KTC5242A-R	(1)	2203952	
Q6006	TRANSISTOR	KTC5242A-O	1	2203953	N
Q6006or	TRANSISTOR	KTC5242A-R	(1)	2203952	
Q6007	TRANSISTOR	KTC5242A-O	1	2203953	N
Q6007or	TRANSISTOR	KTC5242A-R	(1)	2203952	
Q6008	TRANSISTOR	KTC5242A-O	1	2203953	N
Q6008or	TRANSISTOR	KTC5242A-R	(1)	2203952	
Q6021	TRANSISTOR	2SA1962-O	1	2202833	
Q6021or	TRANSISTOR	2SA1962-R	(1)	2202832	
Q6022	TRANSISTOR	2SA1962-O	1	2202833	
Q6022or	TRANSISTOR	2SA1962-R	(1)	2202832	
Q6023	TRANSISTOR	2SA1962-O	1	2202833	
Q6023or	TRANSISTOR	2SA1962-R	(1)	2202832	
Q6025	TRANSISTOR	KTA1962A-O	1	2203943	N
Q6025or	TRANSISTOR	KTA1962A-R	(1)	2203942	

Q6026	TRANSISTOR	KTA1962A-O	1	2203943	N
Q6026or	TRANSISTOR	KTA1962A-R	(1)	2203942	
Q6027	TRANSISTOR	KTA1962A-O	1	2203943	N
Q6027or	TRANSISTOR	KTA1962A-R	(1)	2203942	
Q6028	TRANSISTOR	KTA1962A-O	1	2203943	N
Q6028or	TRANSISTOR	KTA1962A-R	(1)	2203942	
[Transformers, Coils]					
T901	POWER TRANSFORMER	NPT-1671D	1	2302162	!
[Switches, Terminals, Wires]					
F6901	FUSE	12A-TUL-250V	1	252301GR	!
F6901or	FUSE	12A-UL/T-314	(1)	252196GR	!
F6902	FUSE	12A-TUL-250V	1	252301GR	!
F6902or	FUSE	12A-UL/T-314	(1)	252196GR	!
F9002	FUSE	10A-UL/T-233	1	252330GR	!
F9002or	FUSE	10A-T/UL-ST2	(1)	252333GR	!
P101	FLEXIBLE FLAT CABLE	NCFC7-071012	1	2047071012	
P2800	FLEXIBLE FLAT CABLE	NCFC5-231012	1	2045231012	
P3654A	ASSEMBLED PWB	WCBN806L	1	24150135	
P3654B	WIFI BT ANTENNA	RFDP A870918EMLB302	1	2050102	
P3654C	WIFI BT ANTENNA	RFDP A870940EMLB303	1	2050103	
P7001	FLEXIBLE FLAT CABLE	NCFC5-312712	1	2045312712	N
P8500	CORD ASSEMBLY	HDMI 0.50M	1	2010521	
P9001	POWER SUPPLY CORD	AS-UC-2	1	253368AYUN	!
P9001or	POWER SUPPLY CORD	AS-UC-2	(1)	253368BLTK	!
[Frontend, Units]					
U021	PARENT PC BOARD AS	BAAF-1979-2E-P	1	1B5141979-2E	Parent
BAAF-1979	Audio frequency circuit pc board AS	BAAF-1979-2E	1	1B5141979-2E-C	Child
BAETC-1980	Et cetra pc board AS	BAETC-1980-2E	1	1B5141980-2E-C	Child
BAETC-1981	Et cetra pc board AS	BAETC-1981-2E	1	1B5141981-2E-C	Child
U011	PARENT PC BOARD AS	BADIS-1983-2C-P	1	1B5141983-2C	Parent
BADIS-1983	Display circuit pc board AS	BADIS-1983-2C	1	1B5141983-2C-C	Child
BAPS-1984	Power supply circuit pc board AS	BAPS-1984-2C	1	1B5141984-2C-C	Child
BADG-1985	Digital circuit pc board AS	BADG-1985-2C	1	1B5141985-2C-C	Child
BAETC-1986	Et cetra pc board AS	BAETC-1986-2C	1	1B5141986-2C-C	Child
BARF-1987	Radio frequency circuit pc board AS	BARF-1987-2C	1	1B5141987-2C-C	Child
BACLA-1988	ClassA amplifier circuit pc board AS	BACLA-1988-2C	1	1B5141988-2C-C	Child
BASW-1989	Switch circuit pc board AS	BASW-1989-2C	1	1B5141989-2C-C	Child
U031	PARENT PC BOARD AS	BATRM-2023-2E-P	1	1B5142023-2E	Parent
BATRM-2023	Terminal circuit pc board AS	BATRM-2023-2E	1	1B5142023-2E-C	Child
BAETC-2024	Et cetra pc board AS	BAETC-2024-2E	1	1B5142024-2E-C	Child
BAETC-2027	Et cetra pc board AS	BAETC-2027-2E	1	1B5142027-2E-C	Child
U051	PARENT PC BOARD AS	BAHDM-2040-2A-P	1	1B5142040-2A	Parent
BAHDM-2040	HDMI circuit pc board AS	BAHDM-2040-2A	1	1B5142040-2A-C	Child
U041	PARENT PC BOARD AS	BAPRC-2409-1C-P	1	1B5142409-1C676MDC	Parent
BAPRC-2409	Processing circuit pc board AS	BAPRC-2409-1C	1	1B5142409-1C-C676MDC	Child
U011A	SHIELD CASE	(UPPER)	1	27225208	
U011B	SHIELD CASE	(TUNER-BTM)	1	27225207A	
[Packing]					
A501	PAD	(AS)TOP	1	29092796A	N
A501A	PAD	(TOP FRONT)	{1}	29092797A	N
A501B	PAD	(TOP REAR)	{1}	29092798A	N
A502	PAD	(AS)BOTTOM	1	29092799A	N
A502A	PAD	(BOTTOM FRONT)	{1}	29092800A	N
A502B	PAD	(BOTTOM REAR)	{1}	29092801	N
A503	SHEET	1300*650	1	29096147	

A504	TAPE	(SEROHAN)NITTO NO.29	0.3	29110149	NSP
A505	CARTON	TXNR676(B)DC	1	29055747	N
A506	POLYPROPYLENE TAPE	W50 SBT-70	2	29110200	NSP
A507A	UPC LABEL	TXNR676(B)MDC	1	29393472	
A508	LABEL	(fwup)2017_o	1	29393672	
[Accessories]					
A801	POLY BAG	(W250xD350)LDPE	1	29100272	NSP
A802	TAPE	(SEROHAN)NITTO NO.29	0.2	29110149	NSP
A803	REMOTE CONTROL TRANSMITTER	RC-911R	1	24140911	
A804	BATTERY	R03/AAA(UM-4)	2	3010124	NSP
A805	MIC	KHM0028-010020	1	245048A	
A806	ANTENNA COIL	AM LOOP ANTENNA (S&O)	1	232216	
A806or	ANTENNA COIL	AM LOOP-ANTENNA	(1)	232207	
A807	FM ANT AS	Type W	1	292191	
A810	WARRANTY CARD	(ONKYO)	1	29365156	NSP
A901	INSTRUCTION MANUAL	En(TXNR676/E)_BAS	1	29402768	N
A902	INSTRUCTION MANUAL	U2FrEs(TXNR676/E)_BAS	1	29402769	N
A905	INSTRUCTION MANUAL	QSG_U8(TXNR676/E)	1	29402775	N
A910	INSTRUCTION MANUAL	SAFETY_U4(2017 Ent-ONK)	1	29402751	
A920	INSTRUCTION SHEET	(Chromecast built-in)	1	29355977	
A921	INSTRUCTION SHEET	(DTS PlayFi)	1	29355978	

BAAF-1979-2E**<Note>**

1. Parts marked by "NSP" are generally unavailable because they are not in our Master Spare Parts List.
2. The ! mark found on some component parts indicates the importance of the safety factor of the part.
Therefore, when replacing, be sure to use parts of identical designation.

: NSP

REF. NO.	PART NAME	DESCRIPTION	Q'TY	PART NO. (SN)	REMARKS
[Semi-conductors]					
D4217	CHIP TYPE DIODE	DA2J10100	1	223303R2	NSP
D4218	CHIP TYPE DIODE	DA2J10100	1	223303R2	NSP
D4251	DIODE	RL1N4003	1	22380260T	NSP
D4252	DIODE	RL1N4003	1	22380260T	NSP
D4253	DIODE	RL1N4003	1	22380260T	NSP
D4254	DIODE	RL1N4003	1	22380260T	NSP
D4255	CHIP TYPE DIODE	DA2J10100	1	223303R2	NSP
D4256	CHIP TYPE DIODE	DA2J10100	1	223303R2	NSP
D4257	ZENER DIODE	DZ2J075M0L	1	224760750R2	NSP
D4258	ZENER DIODE	DZ2J075M0L	1	224760750R2	NSP
D5085	ZENER DIODE	DZ2J056M0L	1	224760560R2	NSP
D5085or	ZENER DIODE	UDZS5.6B	(1)	224550560R2	NSP
D5086	ZENER DIODE	DZ2J056M0L	1	224760560R2	NSP
D5086or	ZENER DIODE	UDZS5.6B	(1)	224550560R2	NSP
D5087	ZENER DIODE	DZ2J056M0L	1	224760560R2	NSP
D5087or	ZENER DIODE	UDZS5.6B	(1)	224550560R2	NSP
D5088	ZENER DIODE	DZ2J056M0L	1	224760560R2	NSP
D5088or	ZENER DIODE	UDZS5.6B	(1)	224550560R2	NSP
D6601	CHIP TYPE DIODE	DA2J10100	1	223303R2	NSP

D6601or	CHIP TYPE DIODE	1SS352	(1)	223234R2	NSP
D6602	CHIP TYPE DIODE	DA2J10100	1	223303R2	NSP
D6602or	CHIP TYPE DIODE	1SS352	(1)	223234R2	NSP
D6603	CHIP TYPE DIODE	DA2J10100	1	223303R2	NSP
D6603or	CHIP TYPE DIODE	1SS352	(1)	223234R2	NSP
D6605	CHIP TYPE DIODE	DA2J10100	1	223303R2	NSP
D6605or	CHIP TYPE DIODE	1SS352	(1)	223234R2	NSP
D6606	CHIP TYPE DIODE	DA2J10100	1	223303R2	NSP
D6606or	CHIP TYPE DIODE	1SS352	(1)	223234R2	NSP
D6607	CHIP TYPE DIODE	DA2J10100	1	223303R2	NSP
D6607or	CHIP TYPE DIODE	1SS352	(1)	223234R2	NSP
D6608	CHIP TYPE DIODE	DA2J10100	1	223303R2	NSP
D6608or	CHIP TYPE DIODE	1SS352	(1)	223234R2	NSP
D6621	CHIP TYPE DIODE	DA2J10100	1	223303R2	NSP
D6621or	CHIP TYPE DIODE	1SS352	(1)	223234R2	NSP
D6622	CHIP TYPE DIODE	DA2J10100	1	223303R2	NSP
D6622or	CHIP TYPE DIODE	1SS352	(1)	223234R2	NSP
D6623	CHIP TYPE DIODE	DA2J10100	1	223303R2	NSP
D6623or	CHIP TYPE DIODE	1SS352	(1)	223234R2	NSP
D6625	CHIP TYPE DIODE	DA2J10100	1	223303R2	NSP
D6625or	CHIP TYPE DIODE	1SS352	(1)	223234R2	NSP
D6626	CHIP TYPE DIODE	DA2J10100	1	223303R2	NSP
D6626or	CHIP TYPE DIODE	1SS352	(1)	223234R2	NSP
D6627	CHIP TYPE DIODE	DA2J10100	1	223303R2	NSP
D6627or	CHIP TYPE DIODE	1SS352	(1)	223234R2	NSP
D6628	CHIP TYPE DIODE	DA2J10100	1	223303R2	NSP
D6628or	CHIP TYPE DIODE	1SS352	(1)	223234R2	NSP
D6703	ZENER DIODE	DZ2J036M0L	1	224760360R2	NSP
D6704	CHIP TYPE DIODE	DA2J10100	1	223303R2	NSP
D6705	CHIP TYPE DIODE	DA2J10100	1	223303R2	NSP
D6706	CHIP TYPE DIODE	DA2J10100	1	223303R2	NSP
D6707	ZENER DIODE	DZ2J100M0L	1	224761000R2	NSP
D6740	CHIP TYPE DIODE	DA2J10100	1	223303R2	NSP
D6741	CHIP TYPE DIODE	DA2J10100	1	223303R2	NSP
D6761	CHIP TYPE DIODE	DA2J10100	1	223303R2	NSP
D6761or	CHIP TYPE DIODE	1SS352	(1)	223234R2	NSP
D6762	CHIP TYPE DIODE	DA2J10100	1	223303R2	NSP
D6762or	CHIP TYPE DIODE	1SS352	(1)	223234R2	NSP
D6763	CHIP TYPE DIODE	DA2J10100	1	223303R2	NSP
D6763or	CHIP TYPE DIODE	1SS352	(1)	223234R2	NSP
D6765	CHIP TYPE DIODE	DA2J10100	1	223303R2	NSP
D6765or	CHIP TYPE DIODE	1SS352	(1)	223234R2	NSP
D6766	CHIP TYPE DIODE	DA2J10100	1	223303R2	NSP
D6766or	CHIP TYPE DIODE	1SS352	(1)	223234R2	NSP
D6767	CHIP TYPE DIODE	DA2J10100	1	223303R2	NSP
D6767or	CHIP TYPE DIODE	1SS352	(1)	223234R2	NSP
D6768	CHIP TYPE DIODE	DA2J10100	1	223303R2	NSP
D6768or	CHIP TYPE DIODE	1SS352	(1)	223234R2	NSP
D6780	ZENER DIODE	DZ2J033M0L	1	224760330R2	NSP
D6901	DIODE	TS10B06G-07	1	22380379	
D6901A	HEAT SINK	RAD-196	1	27160545	NSP
D6901B	SCREW	3P+10FN(3BC)	1	82143010GR	NSP
D6911	CHIP TYPE DIODE	DA2J10100	1	223303R2	NSP
D6911or	CHIP TYPE DIODE	1SS352	(1)	223234R2	NSP
Q4001	HYBRID IC	BD34704KS2	1	22242977R3	

Q4004	HYBRID IC	NJM4580CG	1	22242922R2	NSP
Q4008	HYBRID IC	NJM4580CG	1	22242922R2	NSP
Q4101	TRANSISTOR	RTAN430C-T112-1	1	2217780R2	NSP
Q4102	TRANSISTOR	RTAN430C-T112-1	1	2217780R2	NSP
Q4103	TRANSISTOR	RTAN430C-T112-1	1	2217780R2	NSP
Q4104	TRANSISTOR	RTAN430C-T112-1	1	2217780R2	NSP
Q4105	TRANSISTOR	RTAN430C-T112-1	1	2217780R2	NSP
Q4106	TRANSISTOR	RTAN430C-T112-1	1	2217780R2	NSP
Q4107	TRANSISTOR	RTAN430C-T112-1	1	2217780R2	NSP
Q4108	TRANSISTOR	RTAN430C-T112-1	1	2217780R2	NSP
Q4114	TRANSISTOR	RTAN430C-T112-1	1	2217780R2	NSP
Q4251	HYBRID IC	78M15HF(NJM78M15FA)	1	222780155JRC	
Q4251A	HEAT SINK	RAD-196	1	27160545	NSP
Q4251B	SCREW	3TTB+8B(3BC)	1	838430088GR	NSP
Q4252	HYBRID IC	79M15HF(NJM79M15FA)	1	222790155JRC	
Q4252B	SCREW	3TTB+8B(3BC)	1	838430088GR	NSP
Q4253	TRANSISTOR	INC5001AP1-T111	1	2218100R2	NSP
Q4253or	TRANSISTOR	2SC2881-Y	(1)	2217564AR2	NSP
Q4253or	TRANSISTOR	KTC4373-Y	(1)	2218120R2	NSP
Q4254	TRANSISTOR	INA5001AP1-T111	1	2218030R2	NSP
Q4254or	TRANSISTOR	2SA1201-Y	(1)	2217554AR2	NSP
Q4254or	TRANSISTOR	KTA1661-Y	(1)	2217864R2	NSP
Q4301	TRANSISTOR	RTAN430C-T112-1	1	2217780R2	NSP
Q4302	TRANSISTOR	RTAN430C-T112-1	1	2217780R2	NSP
Q4530	HYBRID IC	NJM4580CG	1	22242922R2	NSP
Q5105	TRANSISTOR	2SC2713-BL	1	2213136R2	
Q5106	TRANSISTOR	2SC2713-BL	1	2213136R2	
Q5107	TRANSISTOR	2SC2713-BL	1	2213136R2	
Q5108	TRANSISTOR	2SC2713-BL	1	2213136R2	
Q5125	TRANSISTOR	2SC2713-BL	1	2213136R2	
Q5126	TRANSISTOR	2SC2713-BL	1	2213136R2	
Q5127	TRANSISTOR	2SC2713-BL	1	2213136R2	
Q5128	TRANSISTOR	2SC2713-BL	1	2213136R2	
Q5225	TRANSISTOR	INC5001AP1-T111	1	2218100R2	
Q5225or	TRANSISTOR	2SC2881-Y	(1)	2217564AR2	
Q5226	TRANSISTOR	INC5001AP1-T111	1	2218100R2	
Q5226or	TRANSISTOR	2SC2881-Y	(1)	2217564AR2	
Q5227	TRANSISTOR	INC5001AP1-T111	1	2218100R2	
Q5227or	TRANSISTOR	2SC2881-Y	(1)	2217564AR2	
Q5228	TRANSISTOR	INC5001AP1-T111	1	2218100R2	
Q5228or	TRANSISTOR	2SC2881-Y	(1)	2217564AR2	
Q5385	TRANSISTOR	INA6006AP1-T111	1	2217980R2	
Q5385or	TRANSISTOR	2SA1200-Y(2LONK_ZE)	(1)	2217584R2	
Q5386	TRANSISTOR	INA6006AP1-T111	1	2217980R2	
Q5386or	TRANSISTOR	2SA1200-Y(2LONK_ZE)	(1)	2217584R2	
Q5387	TRANSISTOR	INA6006AP1-T111	1	2217980R2	
Q5387or	TRANSISTOR	2SA1200-Y(2LONK_ZE)	(1)	2217584R2	
Q5388	TRANSISTOR	INA6006AP1-T111	1	2217980R2	
Q5388or	TRANSISTOR	2SA1200-Y(2LONK_ZE)	(1)	2217584R2	
Q5405	TRANSISTOR	INC6006AP1-T111	1	2217990R2	
Q5405or	TRANSISTOR	2SC2880-Y(2LONK_ZE)	(1)	2217594R2	
Q5406	TRANSISTOR	INC6006AP1-T111	1	2217990R2	
Q5406or	TRANSISTOR	2SC2880-Y(2LONK_ZE)	(1)	2217594R2	
Q5407	TRANSISTOR	INC6006AP1-T111	1	2217990R2	
Q5407or	TRANSISTOR	2SC2880-Y(2LONK_ZE)	(1)	2217594R2	

Q5408	TRANSISTOR	INC6006AP1-T111	1	2217990R2	
Q5408or	TRANSISTOR	2SC2880-Y(2LONK_ZE)	(1)	2217594R2	
Q5601	TRANSISTOR	2SD2704K	1	2218130R2	
Q5602	TRANSISTOR	2SD2704K	1	2218130R2	
Q5603	TRANSISTOR	2SD2704K	1	2218130R2	
Q5605	TRANSISTOR	2SD2704K	1	2218130R2	
Q5606	TRANSISTOR	2SD2704K	1	2218130R2	
Q5607	TRANSISTOR	2SD2704K	1	2218130R2	
Q5608	TRANSISTOR	2SD2704K	1	2218130R2	
Q5625	TRANSISTOR	2SC2713-BL	1	2213136R2	
Q5626	TRANSISTOR	2SC2713-BL	1	2213136R2	
Q5627	TRANSISTOR	2SC2713-BL	1	2213136R2	
Q5628	TRANSISTOR	2SC2713-BL	1	2213136R2	
Q5645	TRANSISTOR	2SA1163-BL	1	2216756R2	
Q5646	TRANSISTOR	2SA1163-BL	1	2216756R2	
Q5647	TRANSISTOR	2SA1163-BL	1	2216756R2	
Q5648	TRANSISTOR	2SA1163-BL	1	2216756R2	
Q6105	TRANSISTOR	TTC004B_Q(S	1	2218022	
Q6106	TRANSISTOR	TTC004B_Q(S	1	2218022	
Q6107	TRANSISTOR	TTC004B_Q(S	1	2218022	
Q6108	TRANSISTOR	TTC004B_Q(S	1	2218022	
Q6125	TRANSISTOR	TTA004B_Q(S	1	2218012	
Q6126	TRANSISTOR	TTA004B_Q(S	1	2218012	
Q6127	TRANSISTOR	TTA004B_Q(S	1	2218012	
Q6128	TRANSISTOR	TTA004B_Q(S	1	2218012	
Q6601	TRANSISTOR	INC6002AC1	1	2218840R2	
Q6602	TRANSISTOR	INC6002AC1	1	2218840R2	
Q6603	TRANSISTOR	INC6002AC1	1	2218840R2	
Q6605	TRANSISTOR	INC6002AC1	1	2218840R2	
Q6606	TRANSISTOR	INC6002AC1	1	2218840R2	
Q6607	TRANSISTOR	INC6002AC1	1	2218840R2	
Q6608	TRANSISTOR	INC6002AC1	1	2218840R2	
Q6700	TRANSISTOR	2SA1163-BL	1	2216756R2	
Q6705	TRANSISTOR	2SC2713-BL	1	2213136R2	
Q6706	TRANSISTOR	KRA102S	1	2216220R2	
Q6706or	TRANSISTOR	DTA114ECAT116	(1)	2218980R2	
Q6740	TRANSISTOR	2SC2713-BL	1	2213136R2	NSP
Q6741	TRANSISTOR	2SC2713-BL	1	2213136R2	NSP
Q6742	TRANSISTOR	2SA1163-BL	1	2216756R2	NSP
Q6800	HYBRID IC	LM61CIZ	1	22242212	
Q6800A	RETAINER	(PTH)	1	27141884-1	NSP
Q6801	TRANSISTOR	2SC2712-GR	1	2213145R2	NSP
Q6802	TRANSISTOR	2SA1162-GR	1	2214375R2	NSP
Q6911	TRANSISTOR	KRC105S	1	2217290R2	NSP
Q6911or	TRANSISTOR	DTC123JCAT116	(1)	2219040R2	NSP
[Transformers, Coils]					
L6441	SPEAKER OUTPUT FILTER COIL	SC2-0.8X5.5X18.5T	1	231455S	
L6441or	SPEAKER OUTPUT FILTER COIL	SC-0.8X5.5X18.5T	(1)	231431S	
L6442	SPEAKER OUTPUT FILTER COIL	SC2-0.8X5.5X18.5T	1	231455S	
L6442or	SPEAKER OUTPUT FILTER COIL	SC-0.8X5.5X18.5T	(1)	231431S	
L6443	SPEAKER OUTPUT FILTER COIL	SC2-0.8X5.5X18.5T	1	231455S	
L6443or	SPEAKER OUTPUT FILTER COIL	SC-0.8X5.5X18.5T	(1)	231431S	
L6445	SPEAKER OUTPUT FILTER COIL	SC2-0.8X5.5X18.5T	1	231455S	
L6445or	SPEAKER OUTPUT FILTER COIL	SC-0.8X5.5X18.5T	(1)	231431S	
L6446	SPEAKER OUTPUT FILTER COIL	SC2-0.8X5.5X18.5T	1	231455S	

L6446or	SPEAKER OUTPUT FILTER COIL	SC-0.8X5.5X18.5T	(1)	231431S	
L6447	SPEAKER OUTPUT FILTER COIL	SC2-0.8X5.5X18.5T	1	231455S	
L6447or	SPEAKER OUTPUT FILTER COIL	SC-0.8X5.5X18.5T	(1)	231431S	
L6448	SPEAKER OUTPUT FILTER COIL	SC2-0.8X5.5X18.5T	1	231455S	
L6448or	SPEAKER OUTPUT FILTER COIL	SC-0.8X5.5X18.5T	(1)	231431S	
[Capacitors]					
C4001	CHIP TYPE CERAMIC CAPACITOR	CC725CH1H-221J1	1	342102214R1	NSP
C4002	CHIP TYPE CERAMIC CAPACITOR	CC725CH1H-221J1	1	342102214R1	NSP
C4003	CHIP TYPE CERAMIC CAPACITOR	CC725CH1H-221J1	1	342102214R1	NSP
C4004	CHIP TYPE CERAMIC CAPACITOR	CC725CH1H-221J1	1	342102214R1	NSP
C4005	CHIP TYPE CERAMIC CAPACITOR	CC725CH1H-221J1	1	342102214R1	NSP
C4006	CHIP TYPE CERAMIC CAPACITOR	CC725CH1H-221J1	1	342102214R1	NSP
C4007	CHIP TYPE CERAMIC CAPACITOR	CC725CH1H-221J1	1	342102214R1	NSP
C4008	CHIP TYPE CERAMIC CAPACITOR	CC725CH1H-221J1	1	342102214R1	NSP
C4009	UPZ TYPE PLASTIC FILM CAPACITOR	2AUPZTF221JE	1	376332214T	NSP
C4010	UPZ TYPE PLASTIC FILM CAPACITOR	2AUPZTF221JE	1	376332214T	NSP
C4011	CHIP TYPE CERAMIC CAPACITOR	CC725CH1H-221J1	1	342102214R1	NSP
C4012	CHIP TYPE CERAMIC CAPACITOR	CC725CH1H-221J1	1	342102214R1	NSP
C4015	CHIP TYPE CERAMIC CAPACITOR	CC725CH1H-221J1	1	342102214R1	NSP
C4016	CHIP TYPE CERAMIC CAPACITOR	CC725CH1H-221J1	1	342102214R1	NSP
C4041	UTSP TYPE ELECTROLYTIC CAPACITOR	CE04W50V 47M(UTSP)	1	397584707AT	
C4042	UTSP TYPE ELECTROLYTIC CAPACITOR	CE04W50V 47M(UTSP)	1	397584707AT	
C4043	UTSP TYPE ELECTROLYTIC CAPACITOR	CE04W50V 47M(UTSP)	1	397584707AT	
C4044	UTSP TYPE ELECTROLYTIC CAPACITOR	CE04W50V 47M(UTSP)	1	397584707AT	
C4045	UTSP TYPE ELECTROLYTIC CAPACITOR	CE04W25V-47M(UTSP)	1	397554707AT	
C4046	UTSP TYPE ELECTROLYTIC CAPACITOR	CE04W25V-47M(UTSP)	1	397554707AT	
C4047	UTSP TYPE ELECTROLYTIC CAPACITOR	CE04W25V-47M(UTSP)	1	397554707AT	
C4048	UTSP TYPE ELECTROLYTIC CAPACITOR	CE04W25V-47M(UTSP)	1	397554707AT	
C4049	UTSP TYPE ELECTROLYTIC CAPACITOR	CE04W50V 47M(UTSP)	1	397584707AT	
C4050	UTSP TYPE ELECTROLYTIC CAPACITOR	CE04W50V 47M(UTSP)	1	397584707AT	
C4051	UTSP TYPE ELECTROLYTIC CAPACITOR	CE04W50V 47M(UTSP)	1	397584707AT	
C4052	UTSP TYPE ELECTROLYTIC CAPACITOR	CE04W50V 47M(UTSP)	1	397584707AT	
C4053	CHIP TYPE CERAMIC CAPACITOR	CK725B1H-102K1	1	332101025R1	NSP
C4054	CHIP TYPE CERAMIC CAPACITOR	CK725B1H-102K1	1	332101025R1	NSP
C4061	CHIP TYPE CERAMIC CAPACITOR	CC725CH1H-101J1	1	342101014R1	NSP
C4062	CHIP TYPE CERAMIC CAPACITOR	CC725CH1H-101J1	1	342101014R1	NSP
C4063	UTSP TYPE ELECTROLYTIC CAPACITOR	CE04W25V-47M(UTSP)	1	397554707AT	
C4064	UTSP TYPE ELECTROLYTIC CAPACITOR	CE04W25V-47M(UTSP)	1	397554707AT	
C4065	UTSP TYPE ELECTROLYTIC CAPACITOR	CE04W25V-47M(UTSP)	1	397554707AT	
C4066	UTSP TYPE ELECTROLYTIC CAPACITOR	CE04W25V-47M(UTSP)	1	397554707AT	
C4101	UTSP TYPE ELECTROLYTIC CAPACITOR	CE04W50V 47M(UTSP)	1	397584707AT	
C4102	UTSP TYPE ELECTROLYTIC CAPACITOR	CE04W50V 47M(UTSP)	1	397584707AT	
C4103	UTSP TYPE ELECTROLYTIC CAPACITOR	CE04W50V 47M(UTSP)	1	397584707AT	
C4104	UTSP TYPE ELECTROLYTIC CAPACITOR	CE04W50V-22M(UTSP)	1	397582207AT	
C4105	UTSP TYPE ELECTROLYTIC CAPACITOR	CE04W50V 47M(UTSP)	1	397584707AT	
C4106	UTSP TYPE ELECTROLYTIC CAPACITOR	CE04W50V 47M(UTSP)	1	397584707AT	
C4107	UTSP TYPE ELECTROLYTIC CAPACITOR	CE04W50V 47M(UTSP)	1	397584707AT	
C4108	UTSP TYPE ELECTROLYTIC CAPACITOR	CE04W50V 47M(UTSP)	1	397584707AT	
C4114	CHIP TYPE CERAMIC CAPACITOR	CC725CH1H-221J1	1	342102214R1	NSP
C4175	JAMICON TYPE ELECTROLYTIC CAPACIT	CE04W16V-220M	1	398542217T	
C4176	JAMICON TYPE ELECTROLYTIC CAPACIT	CE04W16V-220M	1	398542217T	
C4181	FILM C	C281H104J20A21A	1	376821044T	NSP
C4190	UTSP TYPE ELECTROLYTIC CAPACITOR	CE04W50V 47M(UTSP)	1	397584707AT	
C4191	CHIP TYPE CERAMIC CAPACITOR	CC725CH1H-221J1	1	342102214R1	NSP
C4192	CHIP TYPE CERAMIC CAPACITOR	CK725B1H-103K1	1	332101035R1	NSP

C4203	CHIP TYPE CERAMIC CAPACITOR	CK725B1H-102K1	1	332101025R1	NSP
C4204	CHIP TYPE CERAMIC CAPACITOR	CK725B1H-102K1	1	332101025R1	NSP
C4206	CHIP TYPE CERAMIC CAPACITOR	CK725B1H-102K1	1	332101025R1	NSP
C4207	CHIP TYPE CERAMIC CAPACITOR	CK725B1H-102K1	1	332101025R1	NSP
C4208	CHIP TYPE CERAMIC CAPACITOR	CK725B1H-102K1	1	332101025R1	NSP
C4209	CHIP TYPE CERAMIC CAPACITOR	CK725B1H-102K1	1	332101025R1	NSP
C4214	CHIP TYPE CERAMIC CAPACITOR	CK725B1H-103K1	1	332101035R1	NSP
C4250	FILM C	C282A334J20A21A	1	376833344T	NSP
C4251	JAMICON TYPE ELECTROLYTIC CAPACIT	CE04W35V-1000M	1	398561027T	
C4252	JAMICON TYPE ELECTROLYTIC CAPACIT	CE04W35V-1000M	1	398561027T	
C4253	FILM C	C281H104J20A21A	1	376821044T	NSP
C4254	FILM C	C281H104J20A21A	1	376821044T	NSP
C4255	JAMICON TYPE ELECTROLYTIC CAPACIT	CE04W50V-10M	1	398581007T	
C4255or	UTSP TYPE ELECTROLYTIC CAPACITOR	CE04W50V-10M(UTSP)	(1)	397581007AT	
C4256	JAMICON TYPE ELECTROLYTIC CAPACIT	CE04W50V-10M	1	398581007T	
C4256or	UTSP TYPE ELECTROLYTIC CAPACITOR	CE04W50V-10M(UTSP)	(1)	397581007AT	
C4259	JAMICON TYPE ELECTROLYTIC CAPACIT	CE04W50V-22M	1	398582207T	
C4259or	UTSP TYPE ELECTROLYTIC CAPACITOR	CE04W50V-22M(UTSP)	(1)	397582207AT	
C4260	JAMICON TYPE ELECTROLYTIC CAPACIT	CE04W50V-22M	1	398582207T	
C4260or	UTSP TYPE ELECTROLYTIC CAPACITOR	CE04W50V-22M(UTSP)	(1)	397582207AT	
C4261	JAMICON TYPE ELECTROLYTIC CAPACIT	CE04W16V-470M	1	398544717T	
C4261or	UTSP TYPE ELECTROLYTIC CAPACITOR	CE04W16V-470M(UTSP)	(1)	397544717T	
C4262	JAMICON TYPE ELECTROLYTIC CAPACIT	CE04W16V-470M	1	398544717T	
C4262or	UTSP TYPE ELECTROLYTIC CAPACITOR	CE04W16V-470M(UTSP)	(1)	397544717T	
C4269	JAMICON TYPE ELECTROLYTIC CAPACIT	CE04W10V-470M	1	398534717T	
C4269or	UTSP TYPE ELECTROLYTIC CAPACITOR	CE04W10V-470M(UTSP)	(1)	397534717T	
C4270	JAMICON TYPE ELECTROLYTIC CAPACIT	CE04W10V-470M	1	398534717T	
C4270or	UTSP TYPE ELECTROLYTIC CAPACITOR	CE04W10V-470M(UTSP)	(1)	397534717T	
C4311	UTSP TYPE ELECTROLYTIC CAPACITOR	CE04W25V-47M(UTSP)	1	397554707AT	
C4312	UTSP TYPE ELECTROLYTIC CAPACITOR	CE04W25V-47M(UTSP)	1	397554707AT	
C4313	CHIP TYPE CERAMIC CAPACITOR	CC725CH1H-221J1	1	342102214R1	NSP
C4314	CHIP TYPE CERAMIC CAPACITOR	CC725CH1H-221J1	1	342102214R1	NSP
C4531	ELECTROLYTIC CAPACITOR	CE04W16V-47M(S)	1	353744709T	
C4532	ELECTROLYTIC CAPACITOR	CE04W16V-47M(S)	1	353744709T	
C4533	CHIP TYPE CERAMIC CAPACITOR	CC725CH1H-102J1	1	342101024R1	NSP
C4534	CHIP TYPE CERAMIC CAPACITOR	CC725CH1H-102J1	1	342101024R1	NSP
C4535	UMXR TYPE PLASTIC FILM CAPACITOR	1JUMXRTF123JE	1	376591234T	NSP
C4536	UMXR TYPE PLASTIC FILM CAPACITOR	1JUMXRTF123JE	1	376591234T	NSP
C4537	UMXR TYPE PLASTIC FILM CAPACITOR	1JUMXRTF332JE	1	376593324T	NSP
C4538	UMXR TYPE PLASTIC FILM CAPACITOR	1JUMXRTF332JE	1	376593324T	NSP
C4543	CHIP TYPE CERAMIC CAPACITOR	CK725B1H-472K1	1	332104725R1	NSP
C4544	CHIP TYPE CERAMIC CAPACITOR	CK725B1H-472K1	1	332104725R1	NSP
C4545	UTSP TYPE ELECTROLYTIC CAPACITOR	CE04W50V-10M(UTSP)	1	397581007AT	
C4546	UTSP TYPE ELECTROLYTIC CAPACITOR	CE04W50V-10M(UTSP)	1	397581007AT	
C4547	JAMICON TYPE ELECTROLYTIC CAPACIT	CE04W16V-220M	1	398542217T	
C4548	JAMICON TYPE ELECTROLYTIC CAPACIT	CE04W16V-220M	1	398542217T	
C4549	CHIP TYPE CERAMIC CAPACITOR	CK725B1H-104K1	1	332101045R1	NSP
C4550	CHIP TYPE CERAMIC CAPACITOR	CK725B1H-104K1	1	332101045R1	NSP
C4551	UTSP TYPE ELECTROLYTIC CAPACITOR	CE04W10V-220M(UTSP)	1	397532217AT	
C4552	UTSP TYPE ELECTROLYTIC CAPACITOR	CE04W10V-220M(UTSP)	1	397532217AT	
C5005	UPZ TYPE PLASTIC FILM CAPACITOR	2AUPZTF221JE	1	376332214T	NSP
C5006	UPZ TYPE PLASTIC FILM CAPACITOR	2AUPZTF221JE	1	376332214T	NSP
C5007	UPZ TYPE PLASTIC FILM CAPACITOR	2AUPZTF221JE	1	376332214T	NSP
C5008	UPZ TYPE PLASTIC FILM CAPACITOR	2AUPZTF221JE	1	376332214T	NSP
C5025	UTSP TYPE ELECTROLYTIC CAPACITOR	CE04W50V 47M(UTSP)	1	397584707AT	

C5026	UTSP TYPE ELECTROLYTIC CAPACITOR	CE04W50V 47M(UTSP)	1	397584707AT	
C5027	UTSP TYPE ELECTROLYTIC CAPACITOR	CE04W50V 47M(UTSP)	1	397584707AT	
C5028	UTSP TYPE ELECTROLYTIC CAPACITOR	CE04W50V 47M(UTSP)	1	397584707AT	
C5085	UTSP TYPE ELECTROLYTIC CAPACITOR	CE04W50V-10M(UTSP)	1	397581007AT	
C5086	UTSP TYPE ELECTROLYTIC CAPACITOR	CE04W50V-10M(UTSP)	1	397581007AT	
C5087	UTSP TYPE ELECTROLYTIC CAPACITOR	CE04W50V-10M(UTSP)	1	397581007AT	
C5088	UTSP TYPE ELECTROLYTIC CAPACITOR	CE04W50V-10M(UTSP)	1	397581007AT	
C5485	UPZ TYPE PLASTIC FILM CAPACITOR	2AUPZTF101JE	1	376331014T	NSP
C5486	UPZ TYPE PLASTIC FILM CAPACITOR	2AUPZTF101JE	1	376331014T	NSP
C5487	UPZ TYPE PLASTIC FILM CAPACITOR	2AUPZTF101JE	1	376331014T	NSP
C5488	UPZ TYPE PLASTIC FILM CAPACITOR	2AUPZTF101JE	1	376331014T	NSP
C5505	VR TYPE ELECTROLYTIC CAPACITOR	CE04W100V-22M(VR)	1	394692207T	
C5506	VR TYPE ELECTROLYTIC CAPACITOR	CE04W100V-22M(VR)	1	394692207T	
C5507	VR TYPE ELECTROLYTIC CAPACITOR	CE04W100V-22M(VR)	1	394692207T	
C5508	VR TYPE ELECTROLYTIC CAPACITOR	CE04W100V-22M(VR)	1	394692207T	
C5525	VR TYPE ELECTROLYTIC CAPACITOR	CE04W100V-22M(VR)	1	394692207T	
C5526	VR TYPE ELECTROLYTIC CAPACITOR	CE04W100V-22M(VR)	1	394692207T	
C5527	VR TYPE ELECTROLYTIC CAPACITOR	CE04W100V-22M(VR)	1	394692207T	
C5528	VR TYPE ELECTROLYTIC CAPACITOR	CE04W100V-22M(VR)	1	394692207T	
C5625	CHIP TYPE CERAMIC CAPACITOR	CK725B1H-103K1	1	332101035R1	NSP
C5626	CHIP TYPE CERAMIC CAPACITOR	CK725B1H-103K1	1	332101035R1	NSP
C5627	CHIP TYPE CERAMIC CAPACITOR	CK725B1H-103K1	1	332101035R1	NSP
C5628	CHIP TYPE CERAMIC CAPACITOR	CK725B1H-103K1	1	332101035R1	NSP
C5645	UTSP TYPE ELECTROLYTIC CAPACITOR	CE04W50V 47M(UTSP)	1	397584707AT	
C5646	UTSP TYPE ELECTROLYTIC CAPACITOR	CE04W50V 47M(UTSP)	1	397584707AT	
C5647	UTSP TYPE ELECTROLYTIC CAPACITOR	CE04W50V 47M(UTSP)	1	397584707AT	
C5648	UTSP TYPE ELECTROLYTIC CAPACITOR	CE04W50V 47M(UTSP)	1	397584707AT	
C6305	UTSP TYPE ELECTROLYTIC CAPACITOR	CE04W50V 47M(UTSP)	1	397584707AT	
C6306	UTSP TYPE ELECTROLYTIC CAPACITOR	CE04W50V 47M(UTSP)	1	397584707AT	
C6307	UTSP TYPE ELECTROLYTIC CAPACITOR	CE04W50V 47M(UTSP)	1	397584707AT	
C6308	UTSP TYPE ELECTROLYTIC CAPACITOR	CE04W50V 47M(UTSP)	1	397584707AT	
C6405	CERAMIC CAPACITOR	CC45SL50V-040C	1	345020401T	NSP
C6406	CERAMIC CAPACITOR	CC45SL50V-040C	1	345020401T	NSP
C6407	CERAMIC CAPACITOR	CC45SL50V-040C	1	345020401T	NSP
C6408	CERAMIC CAPACITOR	CC45SL50V-040C	1	345020401T	NSP
C6425	UTSP TYPE ELECTROLYTIC CAPACITOR	CE04W25V-220M(UTSP)	1	397552217T	
C6426	UTSP TYPE ELECTROLYTIC CAPACITOR	CE04W25V-220M(UTSP)	1	397552217T	
C6427	UTSP TYPE ELECTROLYTIC CAPACITOR	CE04W25V-220M(UTSP)	1	397552217T	
C6428	UTSP TYPE ELECTROLYTIC CAPACITOR	CE04W25V-220M(UTSP)	1	397552217T	
C6461	UMXR TYPE PLASTIC FILM CAPACITOR	1JUMXRTF473JE	1	376594734T	NSP
C6462	UMXR TYPE PLASTIC FILM CAPACITOR	1JUMXRTF473JE	1	376594734T	NSP
C6463	UMXR TYPE PLASTIC FILM CAPACITOR	1JUMXRTF473JE	1	376594734T	NSP
C6465	UMXR TYPE PLASTIC FILM CAPACITOR	1JUMXRTF473JE	1	376594734T	NSP
C6466	UMXR TYPE PLASTIC FILM CAPACITOR	1JUMXRTF473JE	1	376594734T	NSP
C6467	UMXR TYPE PLASTIC FILM CAPACITOR	1JUMXRTF473JE	1	376594734T	NSP
C6468	UMXR TYPE PLASTIC FILM CAPACITOR	1JUMXRTF473JE	1	376594734T	NSP
C6601	FILM C	C281H224J20A21A	1	376822244T	NSP
C6602	FILM C	C281H224J20A21A	1	376822244T	NSP
C6603	FILM C	C281H224J20A21A	1	376822244T	NSP
C6605	FILM C	C281H224J20A21A	1	376822244T	NSP
C6606	FILM C	C281H224J20A21A	1	376822244T	NSP
C6607	FILM C	C281H224J20A21A	1	376822244T	NSP
C6608	FILM C	C281H224J20A21A	1	376822244T	NSP
C6700	UMXR TYPE PLASTIC FILM CAPACITOR	1JUMXRTF103JE	1	376591034T	NSP
C6703	CHIP TYPE CERAMIC CAPACITOR	CC725CH1H-101J1	1	342101014R1	NSP

C6704	CHIP TYPE CERAMIC CAPACITOR	CK725F1A-105Z1	1	332181050R1	NSP
C6705	CHIP TYPE CERAMIC CAPACITOR	CK725B1H-222K1	1	332102225R1	NSP
C6741	JAMICON TYPE ELECTROLYTIC CAPACIT	CE04W25V-220M	1	398552217T	
C6741or	UTSP TYPE ELECTROLYTIC CAPACITOR	CE04W25V-220M(UTSP)	(1)	397552217T	
C6742	CHIP TYPE CERAMIC CAPACITOR	CK725F1E-104Z1	1	332161040R1	NSP
C6744	JAMICON TYPE ELECTROLYTIC CAPACIT	CE04W50V-1M	1	398580107T	
C6744or	UTSP TYPE ELECTROLYTIC CAPACITOR	CE04W50V-1M(UTSP)	(1)	397580107AT	
C6780	JAMICON TYPE ELECTROLYTIC CAPACIT	CE04W50V-10M	1	398581007T	
C6780or	UTSP TYPE ELECTROLYTIC CAPACITOR	CE04W50V-10M(UTSP)	(1)	397581007AT	
C6800	CHIP TYPE CERAMIC CAPACITOR	CK725F1E-104Z1	1	332161040R1	NSP
C6801	CHIP TYPE CERAMIC CAPACITOR	CK725F1E-104Z1	1	332161040R1	NSP
C6901	ELECTROLYTIC CAPACITOR	CE69W69V-8200MBN	1	3504519A	
C6902	ELECTROLYTIC CAPACITOR	CE69W69V-8200MBN	1	3504519A	
C6903	FILM C	C282A334J20A21A	1	376833344T	NSP
C6904	FILM C	C282A334J20A21A	1	376833344T	NSP
C6911	CHIP TYPE CERAMIC CAPACITOR	CK725B1H-104K1	1	332101045R1	NSP
[Resistors]					
R4001	CHIP TYPE CARBON RESISTOR	RN72K1J-331JE	1	435033314R1	NSP
R4002	CHIP TYPE CARBON RESISTOR	RN72K1J-331JE	1	435033314R1	NSP
R4003	CHIP TYPE CARBON RESISTOR	RN72K1J-104JE	1	435031044R1	NSP
R4004	CHIP TYPE CARBON RESISTOR	RN72K1J-104JE	1	435031044R1	NSP
R4005	CHIP TYPE CARBON RESISTOR	RN72K1J-331JE	1	435033314R1	NSP
R4006	CHIP TYPE CARBON RESISTOR	RN72K1J-331JE	1	435033314R1	NSP
R4007	CHIP TYPE CARBON RESISTOR	RN72K1J-104JE	1	435031044R1	NSP
R4008	CHIP TYPE CARBON RESISTOR	RN72K1J-104JE	1	435031044R1	NSP
R4009	CHIP TYPE CARBON RESISTOR	RN72K1J-331JE	1	435033314R1	NSP
R4010	CHIP TYPE CARBON RESISTOR	RN72K1J-331JE	1	435033314R1	NSP
R4011	CHIP TYPE CARBON RESISTOR	RN72K1J-104JE	1	435031044R1	NSP
R4012	CHIP TYPE CARBON RESISTOR	RN72K1J-104JE	1	435031044R1	NSP
R4013	CHIP TYPE CARBON RESISTOR	RN72K1J-331JE	1	435033314R1	NSP
R4014	CHIP TYPE CARBON RESISTOR	RN72K1J-331JE	1	435033314R1	NSP
R4015	CHIP TYPE CARBON RESISTOR	RN72K1J-104JE	1	435031044R1	NSP
R4016	CHIP TYPE CARBON RESISTOR	RN72K1J-104JE	1	435031044R1	NSP
R4017	CHIP TYPE CARBON RESISTOR	RN72K1J-331JE	1	435033314R1	NSP
R4018	CHIP TYPE CARBON RESISTOR	RN72K1J-331JE	1	435033314R1	NSP
R4019	CHIP TYPE CARBON RESISTOR	RN72K1J-104JE	1	435031044R1	NSP
R4020	CHIP TYPE CARBON RESISTOR	RN72K1J-104JE	1	435031044R1	NSP
R4021	CHIP TYPE CARBON RESISTOR	RN72K1J-331JE	1	435033314R1	NSP
R4022	CHIP TYPE CARBON RESISTOR	RN72K1J-331JE	1	435033314R1	NSP
R4023	CHIP TYPE CARBON RESISTOR	RN72K1J-104JE	1	435031044R1	NSP
R4024	CHIP TYPE CARBON RESISTOR	RN72K1J-104JE	1	435031044R1	NSP
R4029	CHIP TYPE CARBON RESISTOR	RN72K1J-331JE	1	435033314R1	NSP
R4030	CHIP TYPE CARBON RESISTOR	RN72K1J-331JE	1	435033314R1	NSP
R4031	CHIP TYPE CARBON RESISTOR	RN72K1J-563JE	1	435035634R1	NSP
R4032	CHIP TYPE CARBON RESISTOR	RN72K1J-563JE	1	435035634R1	NSP
R4033	CHIP TYPE CARBON RESISTOR	RN72K1J-104JE	1	435031044R1	NSP
R4034	CHIP TYPE CARBON RESISTOR	RN72K1J-104JE	1	435031044R1	NSP
R4041	CHIP TYPE CARBON RESISTOR	RN72K1J-224JE	1	435032244R1	NSP
R4042	CHIP TYPE CARBON RESISTOR	RN72K1J-224JE	1	435032244R1	NSP
R4043	CHIP TYPE CARBON RESISTOR	RN72K1J-224JE	1	435032244R1	NSP
R4044	CHIP TYPE CARBON RESISTOR	RN72K1J-224JE	1	435032244R1	NSP
R4045	CHIP TYPE CARBON RESISTOR	RN72K1J-224JE	1	435032244R1	NSP
R4046	CHIP TYPE CARBON RESISTOR	RN72K1J-224JE	1	435032244R1	NSP
R4047	CHIP TYPE CARBON RESISTOR	RN72K1J-224JE	1	435032244R1	NSP
R4048	CHIP TYPE CARBON RESISTOR	RN72K1J-224JE	1	435032244R1	NSP

R4174	CHIP TYPE CARBON RESISTOR	RN72K1J-101JE	1	435031014R1	NSP
R4175	CHIP TYPE CARBON RESISTOR	RN72K1J-220JE	1	435032204R1	NSP
R4176	CHIP TYPE CARBON RESISTOR	RN72K1J-220JE	1	435032204R1	NSP
R4181	CHIP TYPE CARBON RESISTOR	RN72K1J-102JE	1	435031024R1	NSP
R4182	CHIP TYPE CARBON RESISTOR	RN72K1J-224JE	1	435032244R1	NSP
R4183	CHIP TYPE CARBON RESISTOR	RN72K1J-224JE	1	435032244R1	NSP
R4185	CHIP TYPE CARBON RESISTOR	RN72K1J-224JE	1	435032244R1	NSP
R4190	CHIP TYPE CARBON RESISTOR	RN72K1J-221JE	1	435032214R1	NSP
R4191	CHIP TYPE CARBON RESISTOR	RN72K1J-473JE	1	435034734R1	NSP
R4192	CHIP TYPE CARBON RESISTOR	RN72K1J-153JE	1	435031534R1	NSP
R4193	CHIP TYPE CARBON RESISTOR	RN72K1J-122JE	1	435031224R1	NSP
R4194	CHIP TYPE CARBON RESISTOR	RN72K1J-103JE	1	435031034R1	NSP
R4251	METAL RESISTOR	RNU1WCJ-2.2	1	453630224T	NSP
R4252	METAL RESISTOR	RNU1WCJ-2.2	1	453630224T	NSP
R4253	METAL RESISTOR	RNU1WCJ-2.2	1	453630224T	NSP
R4254	METAL RESISTOR	RNU1WCJ-2.2	1	453630224T	NSP
R4255	METAL RESISTOR	RNU1WCJ-2.2	1	453630224T	NSP
R4256	METAL OXIDE FILM RESISTOR	RS1WBJ-10	1	443621004T	NSP
R4259	METAL OXIDE FILM RESISTOR	RS1WBJ-33	1	443623304T	NSP
R4260	METAL OXIDE FILM RESISTOR	RS1WBJ-33	1	443623304T	NSP
R4261	METAL OXIDE FILM RESISTOR	RS1WBJ-33	1	443623304T	NSP
R4262	METAL OXIDE FILM RESISTOR	RS1WBJ-33	1	443623304T	NSP
R4263	METAL OXIDE FILM RESISTOR	RS1WBJ-33	1	443623304T	NSP
R4264	METAL OXIDE FILM RESISTOR	RS1WBJ-33	1	443623304T	NSP
R4265	CHIP TYPE CARBON RESISTOR	RN72K1J-152JE	1	435031524R1	NSP
R4266	CHIP TYPE CARBON RESISTOR	RN72K1J-152JE	1	435031524R1	NSP
R4269	CHIP TYPE CARBON RESISTOR	RN72K1J-100JE	1	435031004R1	NSP
R4270	CHIP TYPE CARBON RESISTOR	RN72K1J-100JE	1	435031004R1	NSP
R4307	CHIP TYPE CARBON RESISTOR	RN72K1J-222JE	1	435032224R1	NSP
R4308	CHIP TYPE CARBON RESISTOR	RN72K1J-222JE	1	435032224R1	NSP
R4309	CHIP TYPE CARBON RESISTOR	RN72K1J-224JE	1	435032244R1	NSP
R4310	CHIP TYPE CARBON RESISTOR	RN72K1J-224JE	1	435032244R1	NSP
R4311	CHIP TYPE CARBON RESISTOR	RN72K1J-101JE	1	435031014R1	NSP
R4312	CHIP TYPE CARBON RESISTOR	RN72K1J-101JE	1	435031014R1	NSP
R4401	CHIP TYPE CARBON RESISTOR	RN72K1J-000JE	1	435030004R1	NSP
R4402	CHIP TYPE CARBON RESISTOR	RN72K1J-000JE	1	435030004R1	NSP
R4403	CHIP TYPE CARBON RESISTOR	RN72K1J-000JE	1	435030004R1	NSP
R4404	CHIP TYPE CARBON RESISTOR	RN72K1J-000JE	1	435030004R1	NSP
R4411	CHIP TYPE CARBON RESISTOR	RN72K1J-000JE	1	435030004R1	NSP
R4412	CHIP TYPE CARBON RESISTOR	RN72K1J-000JE	1	435030004R1	NSP
R4421	CHIP TYPE CARBON RESISTOR	RN72K1J-000JE	1	435030004R1	NSP
R4424	CHIP TYPE CARBON RESISTOR	RN72K1J-000JE	1	435030004R1	NSP
R4531	CHIP TYPE CARBON RESISTOR	RN72K1J-224JE	1	435032244R1	NSP
R4532	CHIP TYPE CARBON RESISTOR	RN72K1J-224JE	1	435032244R1	NSP
R4533	CHIP TYPE CARBON RESISTOR	RN72K1J-561JE	1	435035614R1	NSP
R4534	CHIP TYPE CARBON RESISTOR	RN72K1J-561JE	1	435035614R1	NSP
R4535	CHIP TYPE CARBON RESISTOR	RN72K1J-274JE	1	435032744R1	NSP
R4536	CHIP TYPE CARBON RESISTOR	RN72K1J-274JE	1	435032744R1	NSP
R4537	CHIP TYPE CARBON RESISTOR	RN72K1J-223JE	1	435032234R1	NSP
R4538	CHIP TYPE CARBON RESISTOR	RN72K1J-223JE	1	435032234R1	NSP
R4541	CHIP TYPE CARBON RESISTOR	RN72K1J-331JE	1	435033314R1	NSP
R4542	CHIP TYPE CARBON RESISTOR	RN72K1J-331JE	1	435033314R1	NSP
R4543	CHIP TYPE CARBON RESISTOR	RN72K1J-224JE	1	435032244R1	NSP
R4544	CHIP TYPE CARBON RESISTOR	RN72K1J-224JE	1	435032244R1	NSP
R4546	CHIP TYPE CARBON RESISTOR	RN72K1J-220JE	1	435032204R1	NSP

R4547	CHIP TYPE CARBON RESISTOR	RN72K1J-220JE	1	435032204R1	NSP
R5005	CHIP TYPE CARBON RESISTOR	RN72K1J-152JE	1	435031524R1	NSP
R5006	CHIP TYPE CARBON RESISTOR	RN72K1J-152JE	1	435031524R1	NSP
R5007	CHIP TYPE CARBON RESISTOR	RN72K1J-152JE	1	435031524R1	NSP
R5008	CHIP TYPE CARBON RESISTOR	RN72K1J-152JE	1	435031524R1	NSP
R5025	CHIP TYPE CARBON RESISTOR	RN72K1J-563JE	1	435035634R1	NSP
R5026	CHIP TYPE CARBON RESISTOR	RN72K1J-563JE	1	435035634R1	NSP
R5027	CHIP TYPE CARBON RESISTOR	RN72K1J-563JE	1	435035634R1	NSP
R5028	CHIP TYPE CARBON RESISTOR	RN72K1J-563JE	1	435035634R1	NSP
R5045	CHIP TYPE CARBON RESISTOR	RN72K1J-331JE	1	435033314R1	NSP
R5046	CHIP TYPE CARBON RESISTOR	RN72K1J-331JE	1	435033314R1	NSP
R5047	CHIP TYPE CARBON RESISTOR	RN72K1J-331JE	1	435033314R1	NSP
R5048	CHIP TYPE CARBON RESISTOR	RN72K1J-331JE	1	435033314R1	NSP
R5065	METAL OXIDE FILM RESISTOR	RS1/2WBJ-100K	1	443521044T	NSP
R5066	METAL OXIDE FILM RESISTOR	RS1/2WBJ-100K	1	443521044T	NSP
R5067	METAL OXIDE FILM RESISTOR	RS1/2WBJ-100K	1	443521044T	NSP
R5068	METAL OXIDE FILM RESISTOR	RS1/2WBJ-100K	1	443521044T	NSP
R5085	CHIP TYPE CARBON RESISTOR	RN72K1J-104JE	1	435031044R1	NSP
R5086	CHIP TYPE CARBON RESISTOR	RN72K1J-104JE	1	435031044R1	NSP
R5087	CHIP TYPE CARBON RESISTOR	RN72K1J-104JE	1	435031044R1	NSP
R5088	CHIP TYPE CARBON RESISTOR	RN72K1J-104JE	1	435031044R1	NSP
R5105	CHIP TYPE CARBON RESISTOR	RN72K1J-152JE	1	435031524R1	NSP
R5106	CHIP TYPE CARBON RESISTOR	RN72K1J-152JE	1	435031524R1	NSP
R5107	CHIP TYPE CARBON RESISTOR	RN72K1J-152JE	1	435031524R1	NSP
R5108	CHIP TYPE CARBON RESISTOR	RN72K1J-152JE	1	435031524R1	NSP
R5185	CHIP TYPE CARBON RESISTOR	RN72K1J-330JE	1	435033304R1	NSP
R5186	CHIP TYPE CARBON RESISTOR	RN72K1J-330JE	1	435033304R1	NSP
R5187	CHIP TYPE CARBON RESISTOR	RN72K1J-330JE	1	435033304R1	NSP
R5188	CHIP TYPE CARBON RESISTOR	RN72K1J-330JE	1	435033304R1	NSP
R5205	CHIP TYPE CARBON RESISTOR	RN72K1J-330JE	1	435033304R1	NSP
R5206	CHIP TYPE CARBON RESISTOR	RN72K1J-330JE	1	435033304R1	NSP
R5207	CHIP TYPE CARBON RESISTOR	RN72K1J-330JE	1	435033304R1	NSP
R5208	CHIP TYPE CARBON RESISTOR	RN72K1J-330JE	1	435033304R1	NSP
R5225	CHIP TYPE CARBON RESISTOR	RN72K1J-562JE	1	435035624R1	NSP
R5226	CHIP TYPE CARBON RESISTOR	RN72K1J-562JE	1	435035624R1	NSP
R5227	CHIP TYPE CARBON RESISTOR	RN72K1J-562JE	1	435035624R1	NSP
R5228	CHIP TYPE CARBON RESISTOR	RN72K1J-562JE	1	435035624R1	NSP
R5245	CHIP TYPE CARBON RESISTOR	RN72K1J-182JE	1	435031824R1	NSP
R5246	CHIP TYPE CARBON RESISTOR	RN72K1J-182JE	1	435031824R1	NSP
R5247	CHIP TYPE CARBON RESISTOR	RN72K1J-182JE	1	435031824R1	NSP
R5248	CHIP TYPE CARBON RESISTOR	RN72K1J-182JE	1	435031824R1	NSP
R5305	CHIP TYPE CARBON RESISTOR	RN72K1J-152JE	1	435031524R1	NSP
R5306	CHIP TYPE CARBON RESISTOR	RN72K1J-152JE	1	435031524R1	NSP
R5307	CHIP TYPE CARBON RESISTOR	RN72K1J-152JE	1	435031524R1	NSP
R5308	CHIP TYPE CARBON RESISTOR	RN72K1J-152JE	1	435031524R1	NSP
R5325	CHIP TYPE CARBON RESISTOR	RN72K1J-152JE	1	435031524R1	NSP
R5326	CHIP TYPE CARBON RESISTOR	RN72K1J-152JE	1	435031524R1	NSP
R5327	CHIP TYPE CARBON RESISTOR	RN72K1J-152JE	1	435031524R1	NSP
R5328	CHIP TYPE CARBON RESISTOR	RN72K1J-152JE	1	435031524R1	NSP
R5385	NON-FLAMMABLE CARBON FILM RESISTO R25J-220		1	415472214T	
R5386	NON-FLAMMABLE CARBON FILM RESISTO R25J-220		1	415472214T	
R5387	NON-FLAMMABLE CARBON FILM RESISTO R25J-220		1	415472214T	
R5388	NON-FLAMMABLE CARBON FILM RESISTO R25J-220		1	415472214T	
R5405	NON-FLAMMABLE CARBON FILM RESISTO R25J-220		1	415472214T	
R5406	NON-FLAMMABLE CARBON FILM RESISTO R25J-220		1	415472214T	

R5748	CHIP TYPE CARBON RESISTOR	RN72K1J-152FE	1	435031522R1	NSP
R5785	CHIP TYPE CARBON RESISTOR	RN72K1J-392FE	1	435033922R1	NSP
R5786	CHIP TYPE CARBON RESISTOR	RN72K1J-332FE	1	435033322R1	NSP
R5787	CHIP TYPE CARBON RESISTOR	RN72K1J-332FE	1	435033322R1	NSP
R5788	CHIP TYPE CARBON RESISTOR	RN72K1J-272FE	1	435032722R1	NSP
R5825	NON-FLAMMABLE CARBON FILM RESISTO R25J-2.2		1	415470224T	
R5826	NON-FLAMMABLE CARBON FILM RESISTO R25J-2.2		1	415470224T	
R5827	NON-FLAMMABLE CARBON FILM RESISTO R25J-2.2		1	415470224T	
R5828	NON-FLAMMABLE CARBON FILM RESISTO R25J-2.2		1	415470224T	
R5862	CHIP TYPE CARBON RESISTOR	RN72K1J-000JE	1	435030004R1	NSP
R5865	CHIP TYPE CARBON RESISTOR	RN72K1J-000JE	1	435030004R1	NSP
R5866	CHIP TYPE CARBON RESISTOR	RN72K1J-000JE	1	435030004R1	NSP
R5867	CHIP TYPE CARBON RESISTOR	RN72K1J-000JE	1	435030004R1	NSP
R5868	CHIP TYPE CARBON RESISTOR	RN72K1J-000JE	1	435030004R1	NSP
R6005	METAL OXIDE FILM RESISTOR	RS2WBJ-0.22	1	442722294T	
R6006	METAL OXIDE FILM RESISTOR	RS2WBJ-0.22	1	442722294T	
R6007	METAL OXIDE FILM RESISTOR	RS2WBJ-0.22	1	442722294T	
R6008	METAL OXIDE FILM RESISTOR	RS2WBJ-0.22	1	442722294T	
R6025	METAL OXIDE FILM RESISTOR	RS2WBJ-0.22	1	442722294T	
R6026	METAL OXIDE FILM RESISTOR	RS2WBJ-0.22	1	442722294T	
R6027	METAL OXIDE FILM RESISTOR	RS2WBJ-0.22	1	442722294T	
R6028	METAL OXIDE FILM RESISTOR	RS2WBJ-0.22	1	442722294T	
R6081	METAL PLATE RESISTOR	MPR5W+5W 0R22	1	4000233	
R6082	METAL PLATE RESISTOR	MPR5W+5W 0R22	1	4000233	
R6083	METAL PLATE RESISTOR	MPR5W+5W 0R22	1	4000233	
R6141	NON-FLAMMABLE CARBON FILM RESISTO R25J-0.22		1	415472294T	
R6142	NON-FLAMMABLE CARBON FILM RESISTO R25J-0.22		1	415472294T	
R6143	NON-FLAMMABLE CARBON FILM RESISTO R25J-0.22		1	415472294T	
R6145	NON-FLAMMABLE CARBON FILM RESISTO R25J-0.22		1	415472294T	
R6146	NON-FLAMMABLE CARBON FILM RESISTO R25J-0.22		1	415472294T	
R6147	NON-FLAMMABLE CARBON FILM RESISTO R25J-0.22		1	415472294T	
R6148	NON-FLAMMABLE CARBON FILM RESISTO R25J-0.22		1	415472294T	
R6161	NON-FLAMMABLE CARBON FILM RESISTO R25J-0.22		1	415472294T	
R6162	NON-FLAMMABLE CARBON FILM RESISTO R25J-0.22		1	415472294T	
R6163	NON-FLAMMABLE CARBON FILM RESISTO R25J-0.22		1	415472294T	
R6165	NON-FLAMMABLE CARBON FILM RESISTO R25J-0.22		1	415472294T	
R6166	NON-FLAMMABLE CARBON FILM RESISTO R25J-0.22		1	415472294T	
R6167	NON-FLAMMABLE CARBON FILM RESISTO R25J-0.22		1	415472294T	
R6168	NON-FLAMMABLE CARBON FILM RESISTO R25J-0.22		1	415472294T	
R6305	NON-FLAMMABLE CARBON FILM RESISTO R25J-120		1	415471214T	
R6306	NON-FLAMMABLE CARBON FILM RESISTO R25J-120		1	415471214T	
R6307	NON-FLAMMABLE CARBON FILM RESISTO R25J-120		1	415471214T	
R6308	NON-FLAMMABLE CARBON FILM RESISTO R25J-120		1	415471214T	
R6405	NON-FLAMMABLE CARBON FILM RESISTO R25J-56K		1	415475634T	
R6406	NON-FLAMMABLE CARBON FILM RESISTO R25J-56K		1	415475634T	
R6407	NON-FLAMMABLE CARBON FILM RESISTO R25J-56K		1	415475634T	
R6408	NON-FLAMMABLE CARBON FILM RESISTO R25J-56K		1	415475634T	
R6425	CHIP TYPE CARBON RESISTOR	RN72K1J-182JE	1	435031824R1	NSP
R6426	CHIP TYPE CARBON RESISTOR	RN72K1J-182JE	1	435031824R1	NSP
R6427	CHIP TYPE CARBON RESISTOR	RN72K1J-182JE	1	435031824R1	NSP
R6428	CHIP TYPE CARBON RESISTOR	RN72K1J-182JE	1	435031824R1	NSP
R6441	CHIP TYPE CARBON RESISTOR	RN72K2E-100JE	1	435221004R1	NSP
R6442	CHIP TYPE CARBON RESISTOR	RN72K2E-100JE	1	435221004R1	NSP
R6443	CHIP TYPE CARBON RESISTOR	RN72K2E-100JE	1	435221004R1	NSP
R6445	CHIP TYPE CARBON RESISTOR	RN72K2E-100JE	1	435221004R1	NSP

R6722	CHIP TYPE CARBON RESISTOR	RN72K1J-473JE	1	435034734R1	NSP
R6723	CHIP TYPE CARBON RESISTOR	RN72K1J-473JE	1	435034734R1	NSP
R6725	CHIP TYPE CARBON RESISTOR	RN72K1J-473JE	1	435034734R1	NSP
R6726	CHIP TYPE CARBON RESISTOR	RN72K1J-473JE	1	435034734R1	NSP
R6727	CHIP TYPE CARBON RESISTOR	RN72K1J-473JE	1	435034734R1	NSP
R6728	CHIP TYPE CARBON RESISTOR	RN72K1J-473JE	1	435034734R1	NSP
R6741	CHIP TYPE CARBON RESISTOR	RN72K1J-333JE	1	435033334R1	NSP
R6742	CHIP TYPE CARBON RESISTOR	RN72K1J-103JE	1	435031034R1	NSP
R6743	CHIP TYPE CARBON RESISTOR	RN72K1J-473JE	1	435034734R1	NSP
R6744	CHIP TYPE CARBON RESISTOR	RN72K1J-223JE	1	435032234R1	NSP
R6761	CHIP TYPE CARBON RESISTOR	RN72K1J-473JE	1	435034734R1	NSP
R6762	CHIP TYPE CARBON RESISTOR	RN72K1J-473JE	1	435034734R1	NSP
R6763	CHIP TYPE CARBON RESISTOR	RN72K1J-473JE	1	435034734R1	NSP
R6765	CHIP TYPE CARBON RESISTOR	RN72K1J-473JE	1	435034734R1	NSP
R6766	CHIP TYPE CARBON RESISTOR	RN72K1J-473JE	1	435034734R1	NSP
R6767	CHIP TYPE CARBON RESISTOR	RN72K1J-473JE	1	435034734R1	NSP
R6768	CHIP TYPE CARBON RESISTOR	RN72K1J-473JE	1	435034734R1	NSP
R6780	CHIP TYPE CARBON RESISTOR	RN72K1J-562JE	1	435035624R1	NSP
R6781	CHIP TYPE CARBON RESISTOR	RN72K1J-562JE	1	435035624R1	NSP
R6793	CHIP TYPE CARBON RESISTOR	RN72K1J-000JE	1	435030004R1	NSP
R6795	CHIP TYPE CARBON RESISTOR	RN72K1J-000JE	1	435030004R1	NSP
R6796	CHIP TYPE CARBON RESISTOR	RN72K1J-000JE	1	435030004R1	NSP
R6797	CHIP TYPE CARBON RESISTOR	RN72K1J-000JE	1	435030004R1	NSP
R6802	CHIP TYPE CARBON RESISTOR	RN72K1J-153FE	1	435031532R1	NSP
R6803	CHIP TYPE CARBON RESISTOR	RN72K1J-473FE	1	435034732R1	NSP
R6804	CHIP TYPE CARBON RESISTOR	RN72K1J-184JE	1	435031844R1	NSP
R6805	CHIP TYPE CARBON RESISTOR	RN72K1J-223FE	1	435032232R1	NSP
R6806	THERMISTOR	PRF18BF471QB5RB	1	4000286R2	NSP
R6808	CHIP TYPE CARBON RESISTOR	RN72K1J-224JE	1	435032244R1	NSP
R6901	METAL RESISTOR	RNU1/2WCJ-0.1	1	453531094T	N NSP
R6913	METAL OXIDE FILM RESISTOR	RS1/2WBJ-33	1	443523304T	NSP
[Switches, Terminals, Wires]					
F6901A	FUSE HOLDER	SN5051	1	250113	! NSP
F6901B	FUSE HOLDER	SN5051	1	250113	! NSP
F6902A	FUSE HOLDER	SN5051	1	250113	! NSP
F6902B	FUSE HOLDER	SN5051	1	250113	! NSP
P080	PRINTED WIRING BOARD	BCAF-1979	1	25141979B	N NSP
P080B	PRINTED WIRING BOARD	BCETC-1980	{1}	25141980	N NSP
P080C	PRINTED WIRING BOARD	BCETC-1981	{1}	25141981	N NSP
P1501B	SOCKET	IMSA-9142S-22A	1	25053233	NSP
P1502B	SOCKET	IMSA-9142S-22A	1	25053233	NSP
P170A	PRINTED WIRING BOARD	BCAF-1979	{1}	25141979	NSP
P4001	PIN JACK	NPJ-4PDWWR624	1	25045845	
P4002	PIN JACK	NPJ-4PDWWR624	1	25045845	
P4003	PIN JACK	NPJ-4PDWWR624	1	25045845	
P4004	PIN JACK	NPJ-2PDWR558	1	25045776	
P4005	PIN JACK	NPJ-4PDRWB785	1	25046056	
P4011	TRM-423(SCREW)	NEJITANSI ST3	1	25060495	NSP
P4301A	WIRE HOL	CHD-1.5-5	1	25053536	NSP
P4301Aor	WIRE HOL	NSCT-5P876	(1)	25051089	NSP
P4301B	WIRE HOL	CHD-1.5-5	1	25053536	NSP
P4301Bor	WIRE HOL	NSCT-5P876	(1)	25051089	NSP
P5506B	RETAINER	(TRM)	1	25060507	NSP
P5509A	RETAINER	(TRM)	1	25060507	NSP
P6001B	PLUG	NPLG-9P0964	1	25056014	NSP

P6002B	PLUG	NPLG-9P0964	1	25056014	NSP
P6003B	PLUG	NPLG-9P0964	1	25056014	NSP
P6021	PLUG	NPLG-2P29	1	25055038	NSP
P6022	PLUG	NPLG-2P29	1	25055038	NSP
P6023	PLUG	NPLG-2P29	1	25055038	NSP
P6025	PLUG	NPLG-2P29	1	25055038	NSP
P6026	PLUG	NPLG-2P29	1	25055038	NSP
P6027	PLUG	NPLG-2P29	1	25055038	NSP
P6028	PLUG	NPLG-2P29	1	25055038	NSP
P6400	WIRE HARNESS ASSEMBLY	NSAS-7P2206	1	2009991395UL	NSP
P6400A	WIRE HOL	CHD-2.5-7	1	25053542	NSP
P6400Aor	WIRE HOL	NSCT-7P898	(1)	25051111	NSP
P6401	WIRE HARNESS ASSEMBLY	NSAS-9P2223	1	2009991412UL	NSP
P6401A	WIRE HOL	CHD-2.5-9	1	25053543	NSP
P6401Aor	WIRE HOL	NSCT-9P900	(1)	25051113	NSP
P6800	WIRE HARNESS ASSEMBLY	NSAS-5P2110	1	2009991299UL	NSP
P6800A	WIRE HOL	CHD-1.5-5	1	25053536	NSP
P6800Aor	WIRE HOL	NSCT-5P876	(1)	25051089	NSP
P6901	PLUG	NPLG-5P152	1	25055168	NSP
P6902A	CRIMP CORD ASSEMBLY	CRIMP AS	1	2065525080UL	NSP
P6902Aor	CRIMP CORD ASSEMBLY	CLIMP AS	(1)	2069925080UL	NSP
P6903A	CRIMP CORD ASSEMBLY	CRIMP AS	1	2065525242UL	NSP
P6903Aor	CRIMP CORD ASSEMBLY	CRIMP AS	(1)	2069925242UL	NSP
P6904A	CRIMP CORD ASSEMBLY	CRIMP AS	1	2065525166UL	NSP
P6904Aor	CRIMP CORD ASSEMBLY	CRIMP AS	(1)	2069925166UL	NSP
RL6911	RELAY	NRL-1P10A-DC12-196	1	25065707	
RL6912	RELAY	NRL-1P10A-DC12-196	1	25065707	

BADIS-1983-2C**<Note>**

1. Parts marked by "NSP" are generally unavailable because they are not in our Master Spare Parts List.
2. The ! mark found on some component parts indicates the importance of the safety factor of the part.
Therefore, when replacing, be sure to use parts of identical designation.

: NSP

REF. NO.	PART NAME	DESCRIPTION	Q'TY	PART NO. (SN)	REMARKS
[Semi-conductors]					
D5081	ZENER DIODE	DZ2J056M0L	1	224760560R2	NSP
D5082	ZENER DIODE	DZ2J056M0L	1	224760560R2	NSP
D5083	ZENER DIODE	DZ2J056M0L	1	224760560R2	NSP
D7500	ZENER DIODE	DZ2J039M0L	1	224760390R2	NSP
D7750	LED	HLMP-Y701	1	225528	
D7751	LED	SCB3318E-D2	1	225487	
D7751A	HOLDER	(LED)LH-5-5	1	27191312	NSP
D7851	ZENER DIODE	DZ2J068M0L	1	224760680R2	NSP
D7852	ZENER DIODE	DZ2J068M0L	1	224760680R2	NSP
D7900	DIODE	RL1N4003	1	22380260T	NSP
D7901	DIODE	RL1N4003	1	22380260T	NSP
D7902	DIODE	RL1N4003	1	22380260T	NSP
D7903	DIODE	RL1N4003	1	22380260T	NSP

D7904	ZENER DIODE	DZ2J200M0L	1	224762000R2	NSP
D7905	ZENER DIODE	DZ2J180M0L	1	224761800R2	NSP
D7906	ZENER DIODE	DZ2J075M0L	1	224760750R2	NSP
D9001	DIODE	S1WB(A)60B-7062	1	22380377R2	NSP
D9002	SPECIFIED DIODE	P6SMB200A-M3/52T	1	225505R2	NSP
D9003	DIODE	GU1M-60A-2	1	22380405R2	NSP
D9003or	DIODE	US1K-E3/61T	(1)	22380376R2	NSP
D9004	DIODE	RF301BM2STL	1	22380388R2	NSP
D9006	DIODE	M1FL20U	1	223276R2	NSP
D9008	DIODE	RBR3MM30ATR	1	22380401R2	NSP
D9011	CHIP TYPE DIODE	DA2J10100	1	223303R2	NSP
D9012	ZENER DIODE	DZ2J360M0L	1	224763600R2	NSP
D9013	SPECIFIED DIODE	P6SMB20A-M3/52	1	225515R2	NSP
D9018	ZENER DIODE	DZ2J200M0L	1	224762000R2	NSP
Q1	HYBRID IC	RZ5B801-0001E2	1	22242835R2	NSP
Q1501	HYBRID IC	NJM4580CG	1	22242922R2	NSP
Q1503	HYBRID IC	NJM4580CG	1	22242922R2	NSP
Q1505	HYBRID IC	NJM4580CG	1	22242922R2	NSP
Q1507	HYBRID IC	NJM4580CG	1	22242922R2	NSP
Q1521	HYBRID IC	NJM4580CG	1	22242922R2	NSP
Q1522	HYBRID IC	NJM4580CG	1	22242922R2	NSP
Q1541	HYBRID IC	NJM4580CG	1	22242922R2	NSP
Q1921	HYBRID IC	TC7WU04FU(TE12L_F)	1	22240935R2	NSP
Q1922	PHOTO COUPLER	JSR1165-001recieving	1	24120143	
Q1923	PHOTO COUPLER	JSR1165-001recieving	1	24120143	
Q5101	TRANSISTOR	2SC2713-BL	1	2213136R2	
Q5102	TRANSISTOR	2SC2713-BL	1	2213136R2	
Q5103	TRANSISTOR	2SC2713-BL	1	2213136R2	
Q5121	TRANSISTOR	2SC2713-BL	1	2213136R2	
Q5122	TRANSISTOR	2SC2713-BL	1	2213136R2	
Q5123	TRANSISTOR	2SC2713-BL	1	2213136R2	
Q5221	TRANSISTOR	INC5001AP1-T111	1	2218100R2	
Q5221or	TRANSISTOR	2SC2881-Y	(1)	2217564AR2	
Q5222	TRANSISTOR	INC5001AP1-T111	1	2218100R2	
Q5222or	TRANSISTOR	2SC2881-Y	(1)	2217564AR2	
Q5223	TRANSISTOR	INC5001AP1-T111	1	2218100R2	
Q5223or	TRANSISTOR	2SC2881-Y	(1)	2217564AR2	
Q5381	TRANSISTOR	INA6006AP1-T111	1	2217980R2	
Q5381or	TRANSISTOR	2SA1200-Y(2LONK_ZE)	(1)	2217584R2	
Q5382	TRANSISTOR	INA6006AP1-T111	1	2217980R2	
Q5382or	TRANSISTOR	2SA1200-Y(2LONK_ZE)	(1)	2217584R2	
Q5383	TRANSISTOR	INA6006AP1-T111	1	2217980R2	
Q5383or	TRANSISTOR	2SA1200-Y(2LONK_ZE)	(1)	2217584R2	
Q5401	TRANSISTOR	INC6006AP1-T111	1	2217990R2	
Q5401or	TRANSISTOR	2SC2880-Y(2LONK_ZE)	(1)	2217594R2	
Q5402	TRANSISTOR	INC6006AP1-T111	1	2217990R2	
Q5402or	TRANSISTOR	2SC2880-Y(2LONK_ZE)	(1)	2217594R2	
Q5403	TRANSISTOR	INC6006AP1-T111	1	2217990R2	
Q5403or	TRANSISTOR	2SC2880-Y(2LONK_ZE)	(1)	2217594R2	
Q5621	TRANSISTOR	2SC2713-BL	1	2213136R2	
Q5622	TRANSISTOR	2SC2713-BL	1	2213136R2	
Q5623	TRANSISTOR	2SC2713-BL	1	2213136R2	
Q5641	TRANSISTOR	2SA1163-BL	1	2216756R2	
Q5642	TRANSISTOR	2SA1163-BL	1	2216756R2	
Q5643	TRANSISTOR	2SA1163-BL	1	2216756R2	

Q6101	TRANSISTOR	TTC004B_Q(S	1	2218022	
Q6102	TRANSISTOR	TTC004B_Q(S	1	2218022	
Q6103	TRANSISTOR	TTC004B_Q(S	1	2218022	
Q6121	TRANSISTOR	TTA004B_Q(S	1	2218012	
Q6122	TRANSISTOR	TTA004B_Q(S	1	2218012	
Q6123	TRANSISTOR	TTA004B_Q(S	1	2218012	
Q7500	TRANSISTOR	2SC2712-GR	1	2213145R2	NSP
Q7500or	TRANSISTOR	KTC3875-GR	(1)	2216175R2	NSP
Q7750	TRANSISTOR	KRC105S	1	2217290R2	NSP
Q7750or	TRANSISTOR	RN1405	(1)	2214500R2	NSP
Q7751	TRANSISTOR	KRC105S	1	2217290R2	NSP
Q7751or	TRANSISTOR	RN1405	(1)	2214500R2	NSP
Q7780	REMOTE SENSOR	IRM-3638M3S28	1	24130026	
Q7850	HYBRID IC	NJM4580CG	1	22242922R2	NSP
Q7851	TRANSISTOR	RTAN430C-T112-1	1	2217780R2	NSP
Q7852	TRANSISTOR	KRA102S	1	2216220R2	NSP
Q7852or	TRANSISTOR	DTA114ECAT116	(1)	2218980R2	NSP
Q7853	TRANSISTOR	KRC107S	1	2216340R2	NSP
Q7853or	TRANSISTOR	DTC114YCAT116	(1)	2219050R2	NSP
Q7900	TRANSISTOR	INC5001AP1-T111	1	2218100R2	NSP
Q7900or	TRANSISTOR	2SC2881-Y	(1)	2217564AR2	NSP
Q7901	TRANSISTOR	INA5001AP1-T111	1	2218030R2	NSP
Q7901or	TRANSISTOR	KTA1661-Y	(1)	2217864R2	NSP
Q7902	TRANSISTOR	KRC107S	1	2216340R2	NSP
Q7902or	TRANSISTOR	DTC114YCAT116	(1)	2219050R2	NSP
Q7903	TRANSISTOR	2SC2712-GR	1	2213145R2	NSP
Q7903or	TRANSISTOR	KTC3875-GR	(1)	2216175R2	NSP
Q7904	TRANSISTOR	2SC2712-GR	1	2213145R2	NSP
Q7904or	TRANSISTOR	KTC3875-GR	(1)	2216175R2	NSP
Q7905	FLUORESCENT TUBE	016MT096GINYK	1	212285A	
Q7905A	HOLDER	(FL)	1	27191414	NSP
Q9001	HYBRID IC	STR-A6051M	1	222154	
Q9003	HYBRID IC	EL816MX	1	22242845	
Q9004	HYBRID IC	KIA431A-AT/P	1	22242770T	NSP
Q9005	TRANSISTOR	KRC102S	1	2216190R2	NSP
Q9005or	TRANSISTOR	DTC114ECAT116	(1)	2219010R2	NSP
Q9032	TRANSISTOR	KRC102S	1	2216190R2	NSP
Q9032or	TRANSISTOR	DTC114ECAT116	(1)	2219010R2	NSP
Q9033	TRANSISTOR	KRA102S	1	2216220R2	NSP
Q9033or	TRANSISTOR	DTA114ECAT116	(1)	2218980R2	NSP
X1	CRYSTAL	HC-49S 9B12.000MHz	1	3010533	
[Transformers, Coils]					
L1	CHIP TYPE CARBON RESISTOR	RN72K1J-000JE	1	435030004R1	NSP
L1921	EMI SUPPRESSION FILTER	BK1608HS102-T	1	230955R2	NSP
L1922	CHOKE COIL	LBC2518T470M	1	231364M470R2	NSP
L2	CHIP TYPE CARBON RESISTOR	RN72K1J-000JE	1	435030004R1	NSP
L3	RF COIL	SDCL1608CR33JTDF	1	233557R1	NSP
L4	RF COIL	SDCL1608CR10JTDF	1	233556R1	NSP
L5	ANTENNA COIL	K7-D	1	232212	
L7900	CHOKE COIL	LBC2518T2R2M	1	231364M022R2	NSP
L7901	CHOKE COIL	LBC2518T2R2M	1	231364M022R2	NSP
L9001	CHOKE COIL	EM-UT2014-0033	1	231474	
L9002	CHOKE COIL	RCR1010NP-100M	1	231449M100	
L9004	CORE	BLM18PG181SN1D	1	2350005R1	NSP
L9005	CORE	BLM18PG181SN1D	1	2350005R1	NSP

T9001	POWER TRANSFORMER	NPT-1632S	1	2302076	!
T9001or	POWER TRANSFORMER	NPT-1633S	(1)	2302077	!
[Capacitors]					
C1	CHIP TYPE CERAMIC CAPACITOR	CC725CH1H-101J1	1	342101014R1	NSP
C12	CHIP TYPE CERAMIC CAPACITOR	CC725CH1H-090D1	1	342100902R1	NSP
C13	CHIP TYPE CERAMIC CAPACITOR	CK725B1C-104K1	1	332121045R1	NSP
C1501	UPZ TYPE PLASTIC FILM CAPACITOR	2AUPZTF681JE	1	376336814T	NSP
C1502	UPZ TYPE PLASTIC FILM CAPACITOR	2AUPZTF681JE	1	376336814T	NSP
C1503	UMXR TYPE PLASTIC FILM CAPACITOR	1JUMXRTF392JE	1	376593924T	NSP
C1504	UMXR TYPE PLASTIC FILM CAPACITOR	1JUMXRTF392JE	1	376593924T	NSP
C1505	UMXR TYPE PLASTIC FILM CAPACITOR	1JUMXRTF392JE	1	376593924T	NSP
C1506	UMXR TYPE PLASTIC FILM CAPACITOR	1JUMXRTF392JE	1	376593924T	NSP
C1507	UMXR TYPE PLASTIC FILM CAPACITOR	1JUMXRTF392JE	1	376593924T	NSP
C1508	UMXR TYPE PLASTIC FILM CAPACITOR	1JUMXRTF392JE	1	376593924T	NSP
C1521	UMXR TYPE PLASTIC FILM CAPACITOR	1JUMXRTF122JE	1	376591224T	NSP
C1522	UMXR TYPE PLASTIC FILM CAPACITOR	1JUMXRTF122JE	1	376591224T	NSP
C1523	UPZ TYPE PLASTIC FILM CAPACITOR	2AUPZTF681JE	1	376336814T	NSP
C1524	UPZ TYPE PLASTIC FILM CAPACITOR	2AUPZTF681JE	1	376336814T	NSP
C1525	UPZ TYPE PLASTIC FILM CAPACITOR	2AUPZTF681JE	1	376336814T	NSP
C1526	UPZ TYPE PLASTIC FILM CAPACITOR	2AUPZTF681JE	1	376336814T	NSP
C1527	UPZ TYPE PLASTIC FILM CAPACITOR	2AUPZTF681JE	1	376336814T	NSP
C1528	UPZ TYPE PLASTIC FILM CAPACITOR	2AUPZTF681JE	1	376336814T	NSP
C1541	UPZ TYPE PLASTIC FILM CAPACITOR	2AUPZTF331JE	1	376333314T	NSP
C1542	UPZ TYPE PLASTIC FILM CAPACITOR	2AUPZTF331JE	1	376333314T	NSP
C1543	UPZ TYPE PLASTIC FILM CAPACITOR	2AUPZTF681JE	1	376336814T	NSP
C1544	UPZ TYPE PLASTIC FILM CAPACITOR	2AUPZTF681JE	1	376336814T	NSP
C1545	UPZ TYPE PLASTIC FILM CAPACITOR	2AUPZTF681JE	1	376336814T	NSP
C1546	UPZ TYPE PLASTIC FILM CAPACITOR	2AUPZTF681JE	1	376336814T	NSP
C1547	UPZ TYPE PLASTIC FILM CAPACITOR	2AUPZTF681JE	1	376336814T	NSP
C1548	UPZ TYPE PLASTIC FILM CAPACITOR	2AUPZTF681JE	1	376336814T	NSP
C1561	UPZ TYPE PLASTIC FILM CAPACITOR	2AUPZTF331JE	1	376333314T	NSP
C1562	UPZ TYPE PLASTIC FILM CAPACITOR	2AUPZTF331JE	1	376333314T	NSP
C1581	UPZ TYPE PLASTIC FILM CAPACITOR	2AUPZTF471JE	1	376334714T	NSP
C1582	UPZ TYPE PLASTIC FILM CAPACITOR	2AUPZTF471JE	1	376334714T	NSP
C1641	UMXR TYPE PLASTIC FILM CAPACITOR	1JUMXRTF122JE	1	376591224T	NSP
C1642	UMXR TYPE PLASTIC FILM CAPACITOR	1JUMXRTF122JE	1	376591224T	NSP
C1901	UTSP TYPE ELECTROLYTIC CAPACITOR	CE04W25V-100M(UTSP)	1	397551017AT	
C1902	UTSP TYPE ELECTROLYTIC CAPACITOR	CE04W25V-100M(UTSP)	1	397551017AT	
C1903	UTSP TYPE ELECTROLYTIC CAPACITOR	CE04W25V-100M(UTSP)	1	397551017AT	
C1904	UTSP TYPE ELECTROLYTIC CAPACITOR	CE04W25V-100M(UTSP)	1	397551017AT	
C1911	CHIP TYPE CERAMIC CAPACITOR	CK725F1E-104Z1	1	332161040R1	NSP
C1922	CHIP TYPE CERAMIC CAPACITOR	CK725B1C-104K1	1	332121045R1	NSP
C1923	CHIP TYPE CERAMIC CAPACITOR	CC725CH1H-080D1	1	342100802R1	NSP
C1924	UTSP TYPE ELECTROLYTIC CAPACITOR	CE04W10V-220M(UTSP)	1	397532217AT	
C1925	CHIP TYPE CERAMIC CAPACITOR	CK725F1E-104Z1	1	332161040R1	NSP
C1926	CHIP TYPE CERAMIC CAPACITOR	CK725F1E-104Z1	1	332161040R1	NSP
C1927	CHIP TYPE CERAMIC CAPACITOR	CC725CH1H-330J1	1	342103304R1	NSP
C1928	CHIP TYPE CERAMIC CAPACITOR	CK725F1E-104Z1	1	332161040R1	NSP
C1929	CHIP TYPE CERAMIC CAPACITOR	CC725CH1H-330J1	1	342103304R1	NSP
C2	CHIP TYPE CERAMIC CAPACITOR	CC725CH1H-220J1	1	342102204R1	NSP
C3	CHIP TYPE CERAMIC CAPACITOR	CK725B1H-332K1	1	332103325R1	NSP
C4	CHIP TYPE CERAMIC CAPACITOR	CC725CH1H-100D1	1	342101002R1	NSP
C5	CHIP TYPE CERAMIC CAPACITOR	CK725B1H-473K1	1	332104735R1	NSP
C5001	UPZ TYPE PLASTIC FILM CAPACITOR	2AUPZTF221JE	1	376332214T	NSP
C5002	UPZ TYPE PLASTIC FILM CAPACITOR	2AUPZTF221JE	1	376332214T	NSP

C5003	UPZ TYPE PLASTIC FILM CAPACITOR	2AUPZTF221JE	1	376332214T	NSP
C5021	UTSP TYPE ELECTROLYTIC CAPACITOR	CE04W50V 47M(UTSP)	1	397584707AT	
C5022	UTSP TYPE ELECTROLYTIC CAPACITOR	CE04W50V 47M(UTSP)	1	397584707AT	
C5023	UTSP TYPE ELECTROLYTIC CAPACITOR	CE04W50V 47M(UTSP)	1	397584707AT	
C5081	UTSP TYPE ELECTROLYTIC CAPACITOR	CE04W50V-10M(UTSP)	1	397581007AT	
C5082	UTSP TYPE ELECTROLYTIC CAPACITOR	CE04W50V-10M(UTSP)	1	397581007AT	
C5083	UTSP TYPE ELECTROLYTIC CAPACITOR	CE04W50V-10M(UTSP)	1	397581007AT	
C5481	UPZ TYPE PLASTIC FILM CAPACITOR	2AUPZTF101JE	1	376331014T	NSP
C5482	UPZ TYPE PLASTIC FILM CAPACITOR	2AUPZTF101JE	1	376331014T	NSP
C5483	UPZ TYPE PLASTIC FILM CAPACITOR	2AUPZTF101JE	1	376331014T	NSP
C5501	VR TYPE ELECTROLYTIC CAPACITOR	CE04W100V-22M(VR)	1	394692207T	
C5502	VR TYPE ELECTROLYTIC CAPACITOR	CE04W100V-22M(VR)	1	394692207T	
C5503	VR TYPE ELECTROLYTIC CAPACITOR	CE04W100V-22M(VR)	1	394692207T	
C5521	VR TYPE ELECTROLYTIC CAPACITOR	CE04W100V-22M(VR)	1	394692207T	
C5522	VR TYPE ELECTROLYTIC CAPACITOR	CE04W100V-22M(VR)	1	394692207T	
C5523	VR TYPE ELECTROLYTIC CAPACITOR	CE04W100V-22M(VR)	1	394692207T	
C5621	UMXR TYPE PLASTIC FILM CAPACITOR	1JUMXRTF103JE	1	376591034T	NSP
C5622	UMXR TYPE PLASTIC FILM CAPACITOR	1JUMXRTF103JE	1	376591034T	NSP
C5623	UMXR TYPE PLASTIC FILM CAPACITOR	1JUMXRTF103JE	1	376591034T	NSP
C5641	UTSP TYPE ELECTROLYTIC CAPACITOR	CE04W50V 47M(UTSP)	1	397584707AT	
C5642	UTSP TYPE ELECTROLYTIC CAPACITOR	CE04W50V 47M(UTSP)	1	397584707AT	
C5643	UTSP TYPE ELECTROLYTIC CAPACITOR	CE04W50V 47M(UTSP)	1	397584707AT	
C6	CHIP TYPE CERAMIC CAPACITOR	CK725B1H-222K1	1	332102225R1	NSP
C6301	UTSP TYPE ELECTROLYTIC CAPACITOR	CE04W50V 47M(UTSP)	1	397584707AT	
C6302	UTSP TYPE ELECTROLYTIC CAPACITOR	CE04W50V 47M(UTSP)	1	397584707AT	
C6303	UTSP TYPE ELECTROLYTIC CAPACITOR	CE04W50V 47M(UTSP)	1	397584707AT	
C6401	CERAMIC CAPACITOR	CC45SL50V-040C	1	345020401T	NSP
C6402	CERAMIC CAPACITOR	CC45SL50V-040C	1	345020401T	NSP
C6403	CERAMIC CAPACITOR	CC45SL50V-040C	1	345020401T	NSP
C6421	UTSP TYPE ELECTROLYTIC CAPACITOR	CE04W25V-220M(UTSP)	1	397552217T	
C6422	UTSP TYPE ELECTROLYTIC CAPACITOR	CE04W25V-220M(UTSP)	1	397552217T	
C6423	UTSP TYPE ELECTROLYTIC CAPACITOR	CE04W25V-220M(UTSP)	1	397552217T	
C7	CHIP TYPE CERAMIC CAPACITOR	CK725B1A-105K1	1	332131055R1	NSP
C7500	UTSP TYPE ELECTROLYTIC CAPACITOR	CE04W50V-10M(UTSP)	1	397581007AT	
C7501	CHIP TYPE CERAMIC CAPACITOR	CK725B1H-223K1	1	332102235R1	NSP
C7502	UTSP TYPE ELECTROLYTIC CAPACITOR	CE04W25V-100M(UTSP)	1	397551017AT	
C7550	CHIP TYPE CERAMIC CAPACITOR	CK725F1E-104Z1	1	332161040R1	NSP
C7740	CHIP TYPE CERAMIC CAPACITOR	CK725B1H-103K1	1	332101035R1	NSP
C7741	CHIP TYPE CERAMIC CAPACITOR	CK725B1H-103K1	1	332101035R1	NSP
C7770	CHIP TYPE CERAMIC CAPACITOR	CK725B1H-103K1	1	332101035R1	NSP
C7771	CHIP TYPE CERAMIC CAPACITOR	CK725B1H-103K1	1	332101035R1	NSP
C7774	CHIP TYPE CERAMIC CAPACITOR	CK725B1H-103K1	1	332101035R1	NSP
C7775	CHIP TYPE CERAMIC CAPACITOR	CK725B1H-103K1	1	332101035R1	NSP
C7780	UTSP TYPE ELECTROLYTIC CAPACITOR	CE04W50V-10M(UTSP)	1	397581007AT	
C7781	CHIP TYPE CERAMIC CAPACITOR	CC725CH1H-102J1	1	342101024R1	NSP
C7801	CHIP TYPE CERAMIC CAPACITOR	CC725CH1H-471J1	1	342104714R1	NSP
C7802	CHIP TYPE CERAMIC CAPACITOR	CC725CH1H-471J1	1	342104714R1	NSP
C7809	CHIP TYPE CERAMIC CAPACITOR	CK725F1E-104Z1	1	332161040R1	NSP
C7850	UTSP TYPE ELECTROLYTIC CAPACITOR	CE04W50V-10M(UTSP)	1	397581007AT	
C7851	CHIP TYPE CERAMIC CAPACITOR	CC725CH1H-101J1	1	342101014R1	NSP
C7853	UTSP TYPE ELECTROLYTIC CAPACITOR	CE04W25V-47M(UTSP)	1	397554707AT	
C7854	UTSP TYPE ELECTROLYTIC CAPACITOR	CE04W25V-47M(UTSP)	1	397554707AT	
C7855	CHIP TYPE CERAMIC CAPACITOR	CC725CH1H-330J1	1	342103304R1	NSP
C7856	UTSP TYPE ELECTROLYTIC CAPACITOR	CE04W50V-10M(UTSP)	1	397581007AT	
C7857	CHIP TYPE CERAMIC CAPACITOR	CK725F1E-104Z1	1	332161040R1	NSP

C7858	CHIP TYPE CERAMIC CAPACITOR	CC725CH1H-102J1	1	342101024R1	NSP
C7880	CHIP TYPE CERAMIC CAPACITOR	CK725B1H-103K1	1	332101035R1	NSP
C7881	UPZ TYPE PLASTIC FILM CAPACITOR	2AUPZTF221JE	1	376332214T	NSP
C7882	UPZ TYPE PLASTIC FILM CAPACITOR	2AUPZTF221JE	1	376332214T	NSP
C7883	CHIP TYPE CERAMIC CAPACITOR	CC725CH1H-102J1	1	342101024R1	NSP
C7884	CHIP TYPE CERAMIC CAPACITOR	CC725CH1H-102J1	1	342101024R1	NSP
C7900	JAMICON TYPE ELECTROLYTIC CAPACIT	CE04W63V-47M	1	398574707T	
C7900or	VR TYPE ELECTROLYTIC CAPACITOR	CE04W63V-47M(VR)	(1)	394674707T	
C7901	JAMICON TYPE ELECTROLYTIC CAPACIT	CE04W50V-47M	1	398584707T	
C7901or	VR TYPE ELECTROLYTIC CAPACITOR	CE04W50V-47M(VR)	(1)	394684707T	
C7902	JAMICON TYPE ELECTROLYTIC CAPACIT	CE04W50V-47M	1	398584707T	
C7902or	VR TYPE ELECTROLYTIC CAPACITOR	CE04W50V-47M(VR)	(1)	394684707T	
C7903	CHIP TYPE CERAMIC CAPACITOR	CK725B1H-223K1	1	332102235R1	NSP
C7904	CHIP TYPE CERAMIC CAPACITOR	CK725B1H-223K1	1	332102235R1	NSP
C7905	UTSP TYPE ELECTROLYTIC CAPACITOR	CE04W25V-47M(UTSP)	1	397554707AT	
C7907	CHIP TYPE CERAMIC CAPACITOR	CK725B1H-223K1	1	332102235R1	NSP
C7908	CHIP TYPE CERAMIC CAPACITOR	CK725B1H-473K1	1	332104735R1	NSP
C7909	CHIP TYPE CERAMIC CAPACITOR	CK725F1H-104Z1	1	332151040R1	NSP
C7910	CHIP TYPE CERAMIC CAPACITOR	CC725CH1H-101J1	1	342101014R1	NSP
C7911	CHIP TYPE CERAMIC CAPACITOR	CC725CH1H-101J1	1	342101014R1	NSP
C7912	CHIP TYPE CERAMIC CAPACITOR	CC725CH1H-101J1	1	342101014R1	NSP
C7913	CHIP TYPE CERAMIC CAPACITOR	CC725CH1H-101J1	1	342101014R1	NSP
C7914	CHIP TYPE CERAMIC CAPACITOR	CK725F1E-104Z1	1	332161040R1	NSP
C7915	CHIP TYPE CERAMIC CAPACITOR	CK725B1H-223K1	1	332102235R1	NSP
C7916	CHIP TYPE CERAMIC CAPACITOR	CK725B1H-223K1	1	332102235R1	NSP
C8	CHIP TYPE CERAMIC CAPACITOR	CK725B1A-105K1	1	332131055R1	NSP
C9	CHIP TYPE CERAMIC CAPACITOR	CK732B16V-106K	1	332071065R2	NSP
C9001	IS TYPE CAPACITOR	LE104-MX-C3.5	1	3800049S	!
C9002	ELECTROLYTIC CAPACITOR	CE04W200V-100M(KXJ)	1	3500233S	
C9003	PW TYPE ELECTROLYTIC CAPACITOR	CE04W50V-10M(PW)	1	393781007T	
C9004	PW TYPE ELECTROLYTIC CAPACITOR	CE04W25V-1000M(PW)	1	393751027S	
C9006	PW TYPE ELECTROLYTIC CAPACITOR	CE04W25V-470M(PW)	1	393754717T	
C9009	CHIP TYPE CERAMIC CAPACITOR	GRM31A7U3D220JW31D	1	3300071R1	NSP
C9010	IS TYPE CAPACITOR	DE1E3KX102MJ4BN01F	1	3300100S	!
C9011	CHIP TYPE CERAMIC CAPACITOR	CK725B1C-104K1	1	332121045R1	NSP
C9012	IS TYPE CAPACITOR	LE103-C3.5	1	3800042S	!
C9012or	IS TYPE CAPACITOR	ECQU2A103MLC	(1)	3800039S	!
C9013	UTSP TYPE ELECTROLYTIC CAPACITOR	CE04W25V-220M(UTSP)	1	397552217T	
C9014	CHIP TYPE CERAMIC CAPACITOR	CK725B1H-103K1	1	332101035R1	NSP
C9015	CHIP TYPE CERAMIC CAPACITOR	CK725F1E-104Z1	1	332161040R1	NSP
C9016	CHIP TYPE CERAMIC CAPACITOR	CK725B1H-332K1	1	332103325R1	NSP
C9018	IS TYPE CAPACITOR	LE104-MX-C3.5	1	3800049S	!
C9019	IS TYPE CAPACITOR	DE1E3KX102MJ4BN01F	1	3300100S	!
C9023	CHIP TYPE CERAMIC CAPACITOR	CK725F1E-104Z1	1	332161040R1	NSP
C9024	CHIP TYPE CERAMIC CAPACITOR	CK725F1E-104Z1	1	332161040R1	NSP
C9025	IS TYPE CAPACITOR	DE1E3KX102MJ4BN01F	1	3300100S	!
[Resistors]					
R10	CHIP TYPE CARBON RESISTOR	RN72K1J-000JE	1	435030004R1	NSP
R11	CHIP TYPE CARBON RESISTOR	RN72K1J-000JE	1	435030004R1	NSP
R13	CHIP TYPE CARBON RESISTOR	RN72K1J-000JE	1	435030004R1	NSP
R14	CHIP TYPE CARBON RESISTOR	RN72K1J-000JE	1	435030004R1	NSP
R1501	CHIP TYPE CARBON RESISTOR	RN72K1J-821JE	1	435038214R1	NSP
R1502	CHIP TYPE CARBON RESISTOR	RN72K1J-821JE	1	435038214R1	NSP
R1503	CHIP TYPE CARBON RESISTOR	RN72K1J-332JE	1	435033324R1	NSP
R1504	CHIP TYPE CARBON RESISTOR	RN72K1J-332JE	1	435033324R1	NSP

R1644	CHIP TYPE CARBON RESISTOR	RN72K1J-000JE	1	435030004R1	NSP
R1645	CHIP TYPE CARBON RESISTOR	RN72K1J-000JE	1	435030004R1	NSP
R1646	CHIP TYPE CARBON RESISTOR	RN72K1J-000JE	1	435030004R1	NSP
R1647	CHIP TYPE CARBON RESISTOR	RN72K1J-000JE	1	435030004R1	NSP
R1648	CHIP TYPE CARBON RESISTOR	RN72K1J-000JE	1	435030004R1	NSP
R1661	CHIP TYPE CARBON RESISTOR	RN72K1J-103JE	1	435031034R1	NSP
R1662	CHIP TYPE CARBON RESISTOR	RN72K1J-103JE	1	435031034R1	NSP
R1681	CHIP TYPE CARBON RESISTOR	RN72K1J-103JE	1	435031034R1	NSP
R1682	CHIP TYPE CARBON RESISTOR	RN72K1J-103JE	1	435031034R1	NSP
R1701	CHIP TYPE CARBON RESISTOR	RN72K1J-152JE	1	435031524R1	NSP
R1702	CHIP TYPE CARBON RESISTOR	RN72K1J-152JE	1	435031524R1	NSP
R1721	CHIP TYPE CARBON RESISTOR	RN72K1J-223JE	1	435032234R1	NSP
R1722	CHIP TYPE CARBON RESISTOR	RN72K1J-223JE	1	435032234R1	NSP
R1741	CHIP TYPE CARBON RESISTOR	RN72K1J-223JE	1	435032234R1	NSP
R1742	CHIP TYPE CARBON RESISTOR	RN72K1J-223JE	1	435032234R1	NSP
R1761	CHIP TYPE CARBON RESISTOR	RN72K1J-152JE	1	435031524R1	NSP
R1762	CHIP TYPE CARBON RESISTOR	RN72K1J-152JE	1	435031524R1	NSP
R1781	CHIP TYPE CARBON RESISTOR	RN72K1J-223JE	1	435032234R1	NSP
R1782	CHIP TYPE CARBON RESISTOR	RN72K1J-223JE	1	435032234R1	NSP
R1801	CHIP TYPE CARBON RESISTOR	RN72K1J-223JE	1	435032234R1	NSP
R1802	CHIP TYPE CARBON RESISTOR	RN72K1J-223JE	1	435032234R1	NSP
R1821	CHIP TYPE CARBON RESISTOR	RN72K1J-152JE	1	435031524R1	NSP
R1822	CHIP TYPE CARBON RESISTOR	RN72K1J-152JE	1	435031524R1	NSP
R1861	CHIP TYPE CARBON RESISTOR	RN72K1J-152JE	1	435031524R1	NSP
R1862	CHIP TYPE CARBON RESISTOR	RN72K1J-152JE	1	435031524R1	NSP
R1881	CHIP TYPE CARBON RESISTOR	RN72K1J-470JE	1	435034704R1	NSP
R1882	CHIP TYPE CARBON RESISTOR	RN72K1J-470JE	1	435034704R1	NSP
R1883	CHIP TYPE CARBON RESISTOR	RN72K1J-470JE	1	435034704R1	NSP
R1884	CHIP TYPE CARBON RESISTOR	RN72K1J-470JE	1	435034704R1	NSP
R1885	CHIP TYPE CARBON RESISTOR	RN72K1J-470JE	1	435034704R1	NSP
R1886	CHIP TYPE CARBON RESISTOR	RN72K1J-470JE	1	435034704R1	NSP
R1887	CHIP TYPE CARBON RESISTOR	RN72K1J-470JE	1	435034704R1	NSP
R1888	CHIP TYPE CARBON RESISTOR	RN72K1J-470JE	1	435034704R1	NSP
R1901	CHIP TYPE CARBON RESISTOR	RN72K2E-220JE	1	435222204R1	NSP
R1902	CHIP TYPE CARBON RESISTOR	RN72K2E-220JE	1	435222204R1	NSP
R1903	CHIP TYPE CARBON RESISTOR	RN72K2E-220JE	1	435222204R1	NSP
R1904	CHIP TYPE CARBON RESISTOR	RN72K2E-220JE	1	435222204R1	NSP
R1921	CHIP TYPE CARBON RESISTOR	RN72K1J-750JE	1	435037504R1	NSP
R1922	CHIP TYPE CARBON RESISTOR	RN72K1J-100JE	1	435031004R1	NSP
R1924	CHIP TYPE CARBON RESISTOR	RN72K1J-823JE	1	435038234R1	NSP
R1925	CHIP TYPE CARBON RESISTOR	RN72K1J-103JE	1	435031034R1	NSP
R1926	CHIP TYPE CARBON RESISTOR	RN72K1J-470JE	1	435034704R1	NSP
R1927	CHIP TYPE CARBON RESISTOR	RN72K1J-470JE	1	435034704R1	NSP
R1950	CHIP TYPE CARBON RESISTOR	RN72K1J-000JE	1	435030004R1	NSP
R1951	CHIP TYPE CARBON RESISTOR	RN72K2E-000JE	1	435220004R1	NSP
R1952	CHIP TYPE CARBON RESISTOR	RN72K2E-000JE	1	435220004R1	NSP
R1953	CHIP TYPE CARBON RESISTOR	RN72K2E-000JE	1	435220004R1	NSP
R1954	CHIP TYPE CARBON RESISTOR	RN72K2E-000JE	1	435220004R1	NSP
R1958	CHIP TYPE CARBON RESISTOR	RN72K2E-000JE	1	435220004R1	NSP
R2	CHIP TYPE CARBON RESISTOR	RN72K1J-101JE	1	435031014R1	NSP
R21	CHIP TYPE CARBON RESISTOR	RN72K2E-000JE	1	435220004R1	NSP
R22	CHIP TYPE CARBON RESISTOR	RN72K2E-000JE	1	435220004R1	NSP
R3	EMI SUPPRESSION FILTER	BK1608HS601-T	1	230984R1	NSP
R4	EMI SUPPRESSION FILTER	BK1608HS601-T	1	230984R1	NSP
R5	CHIP TYPE CARBON RESISTOR	RN72K1J-103JE	1	435031034R1	NSP

R5001	CHIP TYPE CARBON RESISTOR	RN72K1J-152JE	1	435031524R1	NSP
R5002	CHIP TYPE CARBON RESISTOR	RN72K1J-152JE	1	435031524R1	NSP
R5003	CHIP TYPE CARBON RESISTOR	RN72K1J-152JE	1	435031524R1	NSP
R5021	CHIP TYPE CARBON RESISTOR	RN72K1J-563JE	1	435035634R1	NSP
R5022	CHIP TYPE CARBON RESISTOR	RN72K1J-563JE	1	435035634R1	NSP
R5023	CHIP TYPE CARBON RESISTOR	RN72K1J-563JE	1	435035634R1	NSP
R5041	CHIP TYPE CARBON RESISTOR	RN72K1J-331JE	1	435033314R1	NSP
R5042	CHIP TYPE CARBON RESISTOR	RN72K1J-331JE	1	435033314R1	NSP
R5043	CHIP TYPE CARBON RESISTOR	RN72K1J-331JE	1	435033314R1	NSP
R5061	METAL OXIDE FILM RESISTOR	RS1/2WBJ-100K	1	443521044T	NSP
R5062	METAL OXIDE FILM RESISTOR	RS1/2WBJ-100K	1	443521044T	NSP
R5063	METAL OXIDE FILM RESISTOR	RS1/2WBJ-100K	1	443521044T	NSP
R5081	CHIP TYPE CARBON RESISTOR	RN72K1J-104JE	1	435031044R1	NSP
R5082	CHIP TYPE CARBON RESISTOR	RN72K1J-104JE	1	435031044R1	NSP
R5083	CHIP TYPE CARBON RESISTOR	RN72K1J-104JE	1	435031044R1	NSP
R5101	CHIP TYPE CARBON RESISTOR	RN72K1J-152JE	1	435031524R1	NSP
R5102	CHIP TYPE CARBON RESISTOR	RN72K1J-152JE	1	435031524R1	NSP
R5103	CHIP TYPE CARBON RESISTOR	RN72K1J-152JE	1	435031524R1	NSP
R5181	CHIP TYPE CARBON RESISTOR	RN72K1J-330JE	1	435033304R1	NSP
R5182	CHIP TYPE CARBON RESISTOR	RN72K1J-330JE	1	435033304R1	NSP
R5183	CHIP TYPE CARBON RESISTOR	RN72K1J-330JE	1	435033304R1	NSP
R5201	CHIP TYPE CARBON RESISTOR	RN72K1J-330JE	1	435033304R1	NSP
R5202	CHIP TYPE CARBON RESISTOR	RN72K1J-330JE	1	435033304R1	NSP
R5203	CHIP TYPE CARBON RESISTOR	RN72K1J-330JE	1	435033304R1	NSP
R5221	CHIP TYPE CARBON RESISTOR	RN72K1J-562JE	1	435035624R1	NSP
R5222	CHIP TYPE CARBON RESISTOR	RN72K1J-562JE	1	435035624R1	NSP
R5223	CHIP TYPE CARBON RESISTOR	RN72K1J-562JE	1	435035624R1	NSP
R5241	CHIP TYPE CARBON RESISTOR	RN72K1J-182JE	1	435031824R1	NSP
R5242	CHIP TYPE CARBON RESISTOR	RN72K1J-182JE	1	435031824R1	NSP
R5243	CHIP TYPE CARBON RESISTOR	RN72K1J-182JE	1	435031824R1	NSP
R5301	CHIP TYPE CARBON RESISTOR	RN72K1J-152JE	1	435031524R1	NSP
R5302	CHIP TYPE CARBON RESISTOR	RN72K1J-152JE	1	435031524R1	NSP
R5303	CHIP TYPE CARBON RESISTOR	RN72K1J-152JE	1	435031524R1	NSP
R5321	CHIP TYPE CARBON RESISTOR	RN72K1J-152JE	1	435031524R1	NSP
R5322	CHIP TYPE CARBON RESISTOR	RN72K1J-152JE	1	435031524R1	NSP
R5323	CHIP TYPE CARBON RESISTOR	RN72K1J-152JE	1	435031524R1	NSP
R5381	NON-FLAMMABLE CARBON FILM RESISTO R25J-220		1	415472214T	
R5382	NON-FLAMMABLE CARBON FILM RESISTO R25J-220		1	415472214T	
R5383	NON-FLAMMABLE CARBON FILM RESISTO R25J-220		1	415472214T	
R5401	NON-FLAMMABLE CARBON FILM RESISTO R25J-220		1	415472214T	
R5402	NON-FLAMMABLE CARBON FILM RESISTO R25J-220		1	415472214T	
R5403	NON-FLAMMABLE CARBON FILM RESISTO R25J-220		1	415472214T	
R5461	NON-FLAMMABLE CARBON FILM RESISTO R25J-39K		1	415473934T	
R5462	NON-FLAMMABLE CARBON FILM RESISTO R25J-39K		1	415473934T	
R5463	NON-FLAMMABLE CARBON FILM RESISTO R25J-39K		1	415473934T	
R5481	NON-FLAMMABLE CARBON FILM RESISTO R25J-39K		1	415473934T	
R5482	NON-FLAMMABLE CARBON FILM RESISTO R25J-39K		1	415473934T	
R5483	NON-FLAMMABLE CARBON FILM RESISTO R25J-39K		1	415473934T	
R5501	NON-FLAMMABLE CARBON FILM RESISTO R25J-10		1	415471004T	
R5502	NON-FLAMMABLE CARBON FILM RESISTO R25J-10		1	415471004T	
R5503	NON-FLAMMABLE CARBON FILM RESISTO R25J-10		1	415471004T	
R5521	NON-FLAMMABLE CARBON FILM RESISTO R25J-10		1	415471004T	
R5522	NON-FLAMMABLE CARBON FILM RESISTO R25J-10		1	415471004T	
R5523	NON-FLAMMABLE CARBON FILM RESISTO R25J-10		1	415471004T	
R5721	CHIP TYPE CARBON RESISTOR	RN72K1J-152FE	1	435031522R1	NSP

R5722	CHIP TYPE CARBON RESISTOR	RN72K1J-152FE	1	435031522R1	NSP
R5723	CHIP TYPE CARBON RESISTOR	RN72K1J-152FE	1	435031522R1	NSP
R5741	CHIP TYPE CARBON RESISTOR	RN72K1J-152FE	1	435031522R1	NSP
R5742	CHIP TYPE CARBON RESISTOR	RN72K1J-152FE	1	435031522R1	NSP
R5743	CHIP TYPE CARBON RESISTOR	RN72K1J-152FE	1	435031522R1	NSP
R5781	CHIP TYPE CARBON RESISTOR	RN72K1J-222FE	1	435032222R1	NSP
R5782	CHIP TYPE CARBON RESISTOR	RN72K1J-272FE	1	435032722R1	NSP
R5783	CHIP TYPE CARBON RESISTOR	RN72K1J-222FE	1	435032222R1	NSP
R5821	NON-FLAMMABLE CARBON FILM RESISTO R25J-2.2		1	415470224T	
R5822	NON-FLAMMABLE CARBON FILM RESISTO R25J-2.2		1	415470224T	
R5823	NON-FLAMMABLE CARBON FILM RESISTO R25J-2.2		1	415470224T	
R5881	CHIP TYPE CARBON RESISTOR	RN72K1J-000JE	1	435030004R1	NSP
R5882	CHIP TYPE CARBON RESISTOR	RN72K1J-000JE	1	435030004R1	NSP
R5883	CHIP TYPE CARBON RESISTOR	RN72K1J-000JE	1	435030004R1	NSP
R6	CHIP TYPE CARBON RESISTOR	RN72K1J-472JE	1	435034724R1	NSP
R6201	CHIP TYPE CARBON RESISTOR	RN72K1J-000JE	1	435030004R1	NSP
R6202	CHIP TYPE CARBON RESISTOR	RN72K1J-000JE	1	435030004R1	NSP
R6203	CHIP TYPE CARBON RESISTOR	RN72K1J-000JE	1	435030004R1	NSP
R6301	NON-FLAMMABLE CARBON FILM RESISTO R25J-150		1	415471514T	
R6302	NON-FLAMMABLE CARBON FILM RESISTO R25J-150		1	415471514T	
R6303	NON-FLAMMABLE CARBON FILM RESISTO R25J-150		1	415471514T	
R6401	NON-FLAMMABLE CARBON FILM RESISTO R25J-56K		1	415475634T	
R6402	NON-FLAMMABLE CARBON FILM RESISTO R25J-56K		1	415475634T	
R6403	NON-FLAMMABLE CARBON FILM RESISTO R25J-56K		1	415475634T	
R6421	CHIP TYPE CARBON RESISTOR	RN72K1J-182JE	1	435031824R1	NSP
R6422	CHIP TYPE CARBON RESISTOR	RN72K1J-182JE	1	435031824R1	NSP
R6423	CHIP TYPE CARBON RESISTOR	RN72K1J-182JE	1	435031824R1	NSP
R7	CHIP TYPE CARBON RESISTOR	RN72K1J-472JE	1	435034724R1	NSP
R7500	CHIP TYPE CARBON RESISTOR	RN72K1J-000JE	1	435030004R1	NSP
R7502	CHIP TYPE CARBON RESISTOR	RN72K1J-221JE	1	435032214R1	NSP
R7503	CHIP TYPE CARBON RESISTOR	RN72K1J-181JE	1	435031814R1	NSP
R7504	CHIP TYPE CARBON RESISTOR	RN72K1J-181JE	1	435031814R1	NSP
R7505	CHIP TYPE CARBON RESISTOR	RN72K1J-181JE	1	435031814R1	NSP
R7506	CHIP TYPE CARBON RESISTOR	RN72K1J-181JE	1	435031814R1	NSP
R7507	CHIP TYPE CARBON RESISTOR	RN72K1J-181JE	1	435031814R1	NSP
R7508	CHIP TYPE CARBON RESISTOR	RN72K1J-181JE	1	435031814R1	NSP
R7515	CHIP TYPE CARBON RESISTOR	RN72K1J-393JE	1	435033934R1	NSP
R7601	CHIP TYPE CARBON RESISTOR	RN72K1J-271JE	1	435032714R1	NSP
R7602	CHIP TYPE CARBON RESISTOR	RN72K1J-331JE	1	435033314R1	NSP
R7603	CHIP TYPE CARBON RESISTOR	RN72K1J-471JE	1	435034714R1	NSP
R7604	CHIP TYPE CARBON RESISTOR	RN72K1J-561JE	1	435035614R1	NSP
R7605	CHIP TYPE CARBON RESISTOR	RN72K1J-821JE	1	435038214R1	NSP
R7606	CHIP TYPE CARBON RESISTOR	RN72K1J-122JE	1	435031224R1	NSP
R7607	CHIP TYPE CARBON RESISTOR	RN72K1J-222JE	1	435032224R1	NSP
R7608	CHIP TYPE CARBON RESISTOR	RN72K1J-392JE	1	435033924R1	NSP
R7609	CHIP TYPE CARBON RESISTOR	RN72K1J-123JE	1	435031234R1	NSP
R7611	CHIP TYPE CARBON RESISTOR	RN72K1J-271JE	1	435032714R1	NSP
R7612	CHIP TYPE CARBON RESISTOR	RN72K1J-331JE	1	435033314R1	NSP
R7613	CHIP TYPE CARBON RESISTOR	RN72K1J-471JE	1	435034714R1	NSP
R7614	CHIP TYPE CARBON RESISTOR	RN72K1J-561JE	1	435035614R1	NSP
R7615	CHIP TYPE CARBON RESISTOR	RN72K1J-821JE	1	435038214R1	NSP
R7616	CHIP TYPE CARBON RESISTOR	RN72K1J-122JE	1	435031224R1	NSP
R7617	CHIP TYPE CARBON RESISTOR	RN72K1J-222JE	1	435032224R1	NSP
R7618	CHIP TYPE CARBON RESISTOR	RN72K1J-392JE	1	435033924R1	NSP
R7619	CHIP TYPE CARBON RESISTOR	RN72K1J-123JE	1	435031234R1	NSP

R7621	CHIP TYPE CARBON RESISTOR	RN72K1J-271JE	1	435032714R1	NSP
R7622	CHIP TYPE CARBON RESISTOR	RN72K1J-331JE	1	435033314R1	NSP
R7623	CHIP TYPE CARBON RESISTOR	RN72K1J-471JE	1	435034714R1	NSP
R7624	CHIP TYPE CARBON RESISTOR	RN72K1J-561JE	1	435035614R1	NSP
R7625	CHIP TYPE CARBON RESISTOR	RN72K1J-821JE	1	435038214R1	NSP
R7626	CHIP TYPE CARBON RESISTOR	RN72K1J-122JE	1	435031224R1	NSP
R7631	CHIP TYPE CARBON RESISTOR	RN72K1J-271JE	1	435032714R1	NSP
R7740	CHIP TYPE CARBON RESISTOR	RN72K1J-103JE	1	435031034R1	NSP
R7741	CHIP TYPE CARBON RESISTOR	RN72K1J-103JE	1	435031034R1	NSP
R7742	CHIP TYPE CARBON RESISTOR	RN72K1J-103JE	1	435031034R1	NSP
R7743	CHIP TYPE CARBON RESISTOR	RN72K1J-103JE	1	435031034R1	NSP
R7750	CHIP TYPE CARBON RESISTOR	RN72K1J-102JE	1	435031024R1	NSP
R7751	CHIP TYPE CARBON RESISTOR	RN72K1J-102JE	1	435031024R1	NSP
R7770	CHIP TYPE CARBON RESISTOR	RN72K1J-103JE	1	435031034R1	NSP
R7771	CHIP TYPE CARBON RESISTOR	RN72K1J-103JE	1	435031034R1	NSP
R7772	CHIP TYPE CARBON RESISTOR	RN72K1J-103JE	1	435031034R1	NSP
R7773	CHIP TYPE CARBON RESISTOR	RN72K1J-103JE	1	435031034R1	NSP
R7774	CHIP TYPE CARBON RESISTOR	RN72K1J-103JE	1	435031034R1	NSP
R7775	CHIP TYPE CARBON RESISTOR	RN72K1J-103JE	1	435031034R1	NSP
R7776	CHIP TYPE CARBON RESISTOR	RN72K1J-103JE	1	435031034R1	NSP
R7777	CHIP TYPE CARBON RESISTOR	RN72K1J-103JE	1	435031034R1	NSP
R7780	CHIP TYPE CARBON RESISTOR	RN72K1J-101JE	1	435031014R1	NSP
R7781	CHIP TYPE CARBON RESISTOR	RN72K1J-222JE	1	435032224R1	NSP
R7801	CHIP TYPE CARBON RESISTOR	RN72K1J-331JE	1	435033314R1	NSP
R7802	CHIP TYPE CARBON RESISTOR	RN72K1J-331JE	1	435033314R1	NSP
R7803	CHIP TYPE CARBON RESISTOR	RN72K1J-000JE	1	435030004R1	NSP
R7804	CHIP TYPE CARBON RESISTOR	RN72K1J-000JE	1	435030004R1	NSP
R7835	CHIP TYPE CARBON RESISTOR	RN72K1J-333JE	1	435033334R1	NSP
R7850	CHIP TYPE CARBON RESISTOR	RN72K1J-221JE	1	435032214R1	NSP
R7851	CHIP TYPE CARBON RESISTOR	RN72K1J-472JE	1	435034724R1	NSP
R7852	CHIP TYPE CARBON RESISTOR	RN72K1J-473JE	1	435034734R1	NSP
R7854	CHIP TYPE CARBON RESISTOR	RN72K1J-102JE	1	435031024R1	NSP
R7856	CHIP TYPE CARBON RESISTOR	RN72K1J-471JE	1	435034714R1	NSP
R7858	CHIP TYPE CARBON RESISTOR	RN72K1J-224JE	1	435032244R1	NSP
R7859	CHIP TYPE CARBON RESISTOR	RN72K1J-101JE	1	435031014R1	NSP
R7880	METAL OXIDE FILM RESISTOR	RS1/2WBJ-330	1	443523314T	NSP
R7881	METAL OXIDE FILM RESISTOR	RS1/2WBJ-330	1	443523314T	NSP
R7900	METAL RESISTOR	RNU1/2WCJ-8.2	1	453530824T	NSP
R7901	CHIP TYPE CARBON RESISTOR	RN72K1J-272JE	1	435032724R1	NSP
R7902	CHIP TYPE CARBON RESISTOR	RN72K1J-272JE	1	435032724R1	NSP
R7903	CHIP TYPE CARBON RESISTOR	RN72K1J-010JE	1	435030104R1	NSP
R7904	CHIP TYPE CARBON RESISTOR	RN72K1J-333JE	1	435033334R1	NSP
R7905	CHIP TYPE CARBON RESISTOR	RN72K1J-221JE	1	435032214R1	NSP
R7906	CHIP TYPE CARBON RESISTOR	RN72K1J-473JE	1	435034734R1	NSP
R7907	CHIP TYPE CARBON RESISTOR	RN72K1J-103JE	1	435031034R1	NSP
R7908	CHIP TYPE CARBON RESISTOR	RN72K1J-103JE	1	435031034R1	NSP
R7909	CHIP TYPE CARBON RESISTOR	RN72K1J-224JE	1	435032244R1	NSP
R7910	NON-FLAMMABLE CARBON FILM RESISTO	R25J-10	1	415471004T	
R7911	CHIP TYPE CARBON RESISTOR	RN72K1J-393JE	1	435033934R1	NSP
R7912	CHIP TYPE CARBON RESISTOR	RN72K1J-104JE	1	435031044R1	NSP
R7913	CHIP TYPE CARBON RESISTOR	RN72K1J-101JE	1	435031014R1	NSP
R7914	NON-FLAMMABLE CARBON FILM RESISTO	R25J-10	1	415471004T	
R7916	CHIP TYPE CARBON RESISTOR	RN72K1J-104JE	1	435031044R1	NSP
R7917	CHIP TYPE CARBON RESISTOR	RN72K1J-101JE	1	435031014R1	NSP
R7918	CHIP TYPE CARBON RESISTOR	RN72K1J-393JE	1	435033934R1	NSP

R7919	CHIP TYPE CARBON RESISTOR	RN72K1J-221JE	1	435032214R1	NSP
R7920	CHIP TYPE CARBON RESISTOR	RN72K1J-221JE	1	435032214R1	NSP
R7921	CHIP TYPE CARBON RESISTOR	RN72K1J-221JE	1	435032214R1	NSP
R7922	CHIP TYPE CARBON RESISTOR	RN72K1J-332JE	1	435033324R1	NSP
R7923	CHIP TYPE CARBON RESISTOR	RN72K1J-332JE	1	435033324R1	NSP
R7924	CHIP TYPE CARBON RESISTOR	RN72K1J-000JE	1	435030004R1	NSP
R8	CHIP TYPE CARBON RESISTOR	RN72K1J-101JE	1	435031014R1	NSP
R9	CHIP TYPE CARBON RESISTOR	RN72K1J-101JE	1	435031014R1	NSP
R9002	CHIP TYPE CARBON RESISTOR	RN72K1J-000JE	1	435030004R1	NSP
R9006	CHIP TYPE CARBON RESISTOR	RN72K1J-392JE	1	435033924R1	NSP
R9007	CHIP TYPE CARBON RESISTOR	RN72K1J-273FE	1	435032732R1	NSP
R9008	CHIP TYPE CARBON RESISTOR	RN72K1J-822JE	1	435038224R1	NSP
R9009	CHIP TYPE CARBON RESISTOR	RN72K1J-103JE	1	435031034R1	NSP
R9010	METAL OXIDE FILM RESISTOR	RS1/2WBJ-68	1	443526804T	NSP
R9011	NON-FLAMMABLE CARBON FILM RESISTOR	R25J-22	1	415472204T	
R9014	METAL RESISTOR	RNU1WCJ-1	1	453630104T	NSP
R9017	CHIP TYPE CARBON RESISTOR	RN72K1J-332JE	1	435033324R1	NSP
R9018	CHIP TYPE CARBON RESISTOR	RN72K1J-182JE	1	435031824R1	NSP
R9022	CHIP TYPE CARBON RESISTOR	RN72K1J-152JE	1	435031524R1	NSP
R9023	CHIP TYPE CARBON RESISTOR	KTR18EZPF6803	1	435236842R1	NSP
R9024	CHIP TYPE CARBON RESISTOR	KTR18EZPF6803	1	435236842R1	NSP
R9025	CHIP TYPE CARBON RESISTOR	KTR18EZPF6803	1	435236842R1	NSP
R9027	METAL OXIDE FILM RESISTOR	RS1/2WBJ-220	1	443522214T	NSP
R9057	CHIP TYPE CARBON RESISTOR	RN72K1J-332JE	1	435033324R1	NSP
R9058	CHIP TYPE CARBON RESISTOR	RN72K1J-332JE	1	435033324R1	NSP
[Switches, Terminals, Wires]					
F9001	FUSE	T1A-SEUL-T250V	1	252397T	!
F9002C	FUSE HOLDER	NSCT-1P2031	1	25052133T	! NSP
F9002D	FUSE HOLDER	NSCT-1P2031	1	25052133T	! NSP
P0090C	PRINTED WIRING BOARD	BCDG-1985	{1}	25141985	N NSP
P090	PRINTED WIRING BOARD	BCDIS-1983	1	25141983A	NSP
P090B	PRINTED WIRING BOARD	BCPS-1984	{1}	25141984	N NSP
P090D	PRINTED WIRING BOARD	BCETC-1986	{1}	25141986	N NSP
P090E	PRINTED WIRING BOARD	BCRF-1987	{1}	25141987	N NSP
P090F	PRINTED WIRING BOARD	BCCLA-1988	{1}	25141988	N NSP
P090G	PRINTED WIRING BOARD	BCSW-1989	{1}	25141989	N NSP
P1	TERMINAL	NTM-1PDSC437	1	25060515	
P101A	SOCKET	NSCT-7P2100	1	25052203	NSP
P101B	SOCKET	NSCT-7P2100	1	25052203	NSP
P1501A	PLUG	IMSA-9142B-22A	1	25056601	NSP
P1502A	PLUG	IMSA-9142B-22A	1	25056601	NSP
P1512A	TRM-423(SCREW)	NEJITANSI ST3	1	25060495	NSP
P1921	PIN JACK	NPJ-1PDO554	1	25045772	
P2	TERMINAL	NTM-2PDML439	1	25060517	
P5509B	RETAINER	(CLA-L)	1	27142312	NSP
P6001A	SOCKET	NSCT-9P2189	1	25052292	NSP
P6002A	SOCKET	NSCT-9P2189	1	25052292	NSP
P6003A	SOCKET	NSCT-9P2189	1	25052292	NSP
P7001B	SOCKET	9615S-31C-PP	1	25053319	NSP
P7550	RETAINER	(EARTH)TX-NR656	1	27142353	NSP
P7740A	WIRE HOL	CHD-1.5-5	1	25053536	NSP
P7740Aor	WIRE HOL	NSCT-5P876	(1)	25051089	NSP
P7740B	WIRE HOL	CHD-1.5-5	1	25053536	NSP
P7740Bor	WIRE HOL	NSCT-5P876	(1)	25051089	NSP
P7800	ST JACK	MSJ-035-05A BAG SR LF	1	25045927	

P7850	ST JACK	MSJ-035-05C B AG SR type	1	25045879	
P7880A	PLUG	NPLG-5P119	1	25055135	NSP
P7881	ST JACK	MSJ-064-05A SR	1	25045783	
P7900	PLUG	NPLG-5P220	1	25055236	NSP
P8002A	SOCKET	IMSA-9850S-30	1	25053215	NSP
P8003A	SOCKET	IMSA-9850S-30	1	25053215	NSP
P9001A	PLUG	NPLG-2P631	1	25055675	NSP
P9002	PLUG	NPLG-2P631	1	25055675	NSP
P9011	WIRE HARNESS ASSEMBLY	NSAS-5P2109	1	2009991298UL	NSP
P9011A	WIRE HOL	CHD-1.5-5	1	25053536	NSP
P9011Aor	WIRE HOL	NSCT-5P876	(1)	25051089	NSP
RL9001	RELAY	NRL-1P10A-DC9-188	1	25065693	!
S7601	PUSH SWITCH	NPS-111-S681	1	25035718T	NSP
S7601or	PUSH SWITCH	NPS-111-S677	(1)	25035714T	NSP
S7605	PUSH SWITCH	NPS-111-S681	1	25035718T	NSP
S7605or	PUSH SWITCH	NPS-111-S677	(1)	25035714T	NSP
S7606	PUSH SWITCH	NPS-111-S681	1	25035718T	NSP
S7606or	PUSH SWITCH	NPS-111-S677	(1)	25035714T	NSP
S7607	PUSH SWITCH	NPS-111-S681	1	25035718T	NSP
S7607or	PUSH SWITCH	NPS-111-S677	(1)	25035714T	NSP
S7608	PUSH SWITCH	NPS-111-S681	1	25035718T	NSP
S7608or	PUSH SWITCH	NPS-111-S677	(1)	25035714T	NSP
S7609	PUSH SWITCH	NPS-111-S681	1	25035718T	NSP
S7609or	PUSH SWITCH	NPS-111-S677	(1)	25035714T	NSP
S7610	PUSH SWITCH	NPS-111-S681	1	25035718T	NSP
S7610or	PUSH SWITCH	NPS-111-S677	(1)	25035714T	NSP
S7611	PUSH SWITCH	NPS-111-S681	1	25035718T	NSP
S7611or	PUSH SWITCH	NPS-111-S677	(1)	25035714T	NSP
S7612	PUSH SWITCH	NPS-111-S681	1	25035718T	NSP
S7612or	PUSH SWITCH	NPS-111-S677	(1)	25035714T	NSP
S7613	PUSH SWITCH	NPS-111-S681	1	25035718T	NSP
S7613or	PUSH SWITCH	NPS-111-S677	(1)	25035714T	NSP
S7614	PUSH SWITCH	NPS-111-S681	1	25035718T	NSP
S7614or	PUSH SWITCH	NPS-111-S677	(1)	25035714T	NSP
S7615	PUSH SWITCH	NPS-111-S681	1	25035718T	NSP
S7615or	PUSH SWITCH	NPS-111-S677	(1)	25035714T	NSP
S7616	PUSH SWITCH	NPS-111-S681	1	25035718T	NSP
S7616or	PUSH SWITCH	NPS-111-S677	(1)	25035714T	NSP
S7617	PUSH SWITCH	NPS-111-S681	1	25035718T	NSP
S7617or	PUSH SWITCH	NPS-111-S677	(1)	25035714T	NSP
S7618	PUSH SWITCH	NPS-111-S681	1	25035718T	NSP
S7618or	PUSH SWITCH	NPS-111-S677	(1)	25035714T	NSP
S7619	PUSH SWITCH	NPS-111-S681	1	25035718T	NSP
S7619or	PUSH SWITCH	NPS-111-S677	(1)	25035714T	NSP
S7620	PUSH SWITCH	NPS-111-S681	1	25035718T	NSP
S7620or	PUSH SWITCH	NPS-111-S677	(1)	25035714T	NSP
S7621	PUSH SWITCH	NPS-111-S681	1	25035718T	NSP
S7621or	PUSH SWITCH	NPS-111-S677	(1)	25035714T	NSP
S7622	PUSH SWITCH	NPS-111-S681	1	25035718T	NSP
S7622or	PUSH SWITCH	NPS-111-S677	(1)	25035714T	NSP
S7623	PUSH SWITCH	NPS-111-S681	1	25035718T	NSP
S7623or	PUSH SWITCH	NPS-111-S677	(1)	25035714T	NSP
S7624	PUSH SWITCH	NPS-111-S681	1	25035718T	NSP
S7624or	PUSH SWITCH	NPS-111-S677	(1)	25035714T	NSP
S7625	PUSH SWITCH	NPS-111-S681	1	25035718T	NSP

S7625or	PUSH SWITCH	NPS-111-S677	(1)	25035714T	NSP
S7626	PUSH SWITCH	NPS-111-S681	1	25035718T	NSP
S7626or	PUSH SWITCH	NPS-111-S677	(1)	25035714T	NSP
S7627	PUSH SWITCH	NPS-111-S681	1	25035718T	NSP
S7627or	PUSH SWITCH	NPS-111-S677	(1)	25035714T	NSP
S7631	PUSH SWITCH	NPS-111-S681	1	25035718T	NSP
S7631or	PUSH SWITCH	NPS-111-S677	(1)	25035714T	NSP
S7632	PUSH SWITCH	NPS-111-S681	1	25035718T	NSP
S7632or	PUSH SWITCH	NPS-111-S677	(1)	25035714T	NSP
S7700	ROTARY ENCODER	XREB12504PVB30FINB1-2-24	1	25065729	
S7740	ROTARY ENCODER	XREB125(9X11.5)PVB30FINB1	1	25065737	
S7740or	ROTARY ENCODER	EVEHD1F3024B	(1)	25065695W	
S7774	ROTARY ENCODER	XREB125(9X11.5)PVB30FINB1	1	25065737	
S7774or	ROTARY ENCODER	EVEHD1F3024B	(1)	25065695W	

BAHDM-2040-2A**<Note>**

1. Parts marked by "NSP" are generally unavailable because they are not in our Master Spare Parts List.
2. The ! mark found on some component parts indicates the importance of the safety factor of the part.
Therefore, when replacing, be sure to use parts of identical designation.

: NSP

REF. NO.	PART NAME	DESCRIPTION	Q'TY	PART NO. (SN)	REMARKS
[Semi-conductors]					
Q8500	HYBRID IC	TCA9517DGKR	1	22243201R2	NSP
[Transformers, Coils]					
L8505	CORE	BLM15PX181SN1D	1	2350033R1	NSP
[Capacitors]					
C8501	CHIP TYPE CERAMIC CAPACITOR	CK725B1H-102K1	1	332101025R1	NSP
C8502	CHIP TYPE CERAMIC CAPACITOR	CK725B1H-102K1	1	332101025R1	NSP
C8503	CHIP TYPE CERAMIC CAPACITOR	CK725B1C-104K0	1	332011045R1	NSP
C8505	CHIP TYPE CERAMIC CAPACITOR	CK725B1H-103K0	1	332031035R1	NSP
[Resistors]					
R8503	CHIP TYPE CARBON RESISTOR	RN72K1J-473JE	1	435034734R1	NSP
R8504	CHIP TYPE CARBON RESISTOR	RN72K1J-473JE	1	435034734R1	NSP
R8505	CHIP TYPE CARBON RESISTOR	RN72K1J-472JE	1	435034724R1	NSP
R8506	CHIP TYPE CARBON RESISTOR	RN72K1J-472JE	1	435034724R1	NSP
R8507	CHIP TYPE CARBON RESISTOR	RN72K1J-473JE	1	435034734R1	NSP
[Switches, Terminals, Wires]					
P120	PRINTED WIRING BOARD	BCHDM-2040	1	25142040	NSP
P8500	SOCKET	SNN04SBB2200-84R	1	25053613R2	NSP
P8501	SOCKET	SNN15SBA4600-84R	1	25053587R2	NSP

BAPRC-2409-1C**<Note>**

1. Parts marked by "NSP" are generally unavailable because they are not in our Master Spare Parts List.
2. The ! mark found on some component parts indicates the importance of the safety factor of the part.

Therefore, when replacing, be sure to use parts of identical designation.

: NSP

REF. NO.	PART NAME	DESCRIPTION	Q'TY	PART NO. (SN)	REMARKS
[Semi-conductors]					
D3000	CHIP TYPE DIODE	DA2J10100	1	223303R2	NSP
D3000or	CHIP TYPE DIODE	1SS352	(1)	223234R2	NSP
D3001	CHIP TYPE DIODE	DA2J10100	1	223303R2	NSP
D3001or	CHIP TYPE DIODE	1SS352	(1)	223234R2	NSP
D3002	CHIP TYPE DIODE	DA2J10100	1	223303R2	NSP
D3002or	CHIP TYPE DIODE	1SS352	(1)	223234R2	NSP
D3003	CHIP TYPE DIODE	DA2J10100	1	223303R2	NSP
D3003or	CHIP TYPE DIODE	1SS352	(1)	223234R2	NSP
D3004	CHIP TYPE DIODE	DA2J10100	1	223303R2	NSP
D3004or	CHIP TYPE DIODE	1SS352	(1)	223234R2	NSP
D3005	CHIP TYPE DIODE	DA2J10100	1	223303R2	NSP
D3005or	CHIP TYPE DIODE	1SS352	(1)	223234R2	NSP
D3006	CHIP TYPE DIODE	DA2J10100	1	223303R2	NSP
D3006or	CHIP TYPE DIODE	1SS352	(1)	223234R2	NSP
D3007	CHIP TYPE DIODE	DA2J10100	1	223303R2	NSP
D3007or	CHIP TYPE DIODE	1SS352	(1)	223234R2	NSP
D7001	CHIP TYPE DIODE	DA2J10100	1	223303R2	NSP
D7001or	CHIP TYPE DIODE	1SS352	(1)	223234R2	NSP
D7002	CHIP TYPE DIODE	DA2J10100	1	223303R2	NSP
D7002or	CHIP TYPE DIODE	1SS352	(1)	223234R2	NSP
D7003	CHIP TYPE DIODE	DA2J10100	1	223303R2	NSP
D7003or	CHIP TYPE DIODE	1SS352	(1)	223234R2	NSP
D7004	CHIP TYPE DIODE	DA2J10100	1	223303R2	NSP
D7004or	CHIP TYPE DIODE	1SS352	(1)	223234R2	NSP
D7006	DIODE	CUS357	1	223320R2	NSP
D7009	CHIP TYPE DIODE	DA2J10100	1	223303R2	NSP
D7009or	CHIP TYPE DIODE	1SS352	(1)	223234R2	NSP
D8003	ESD	IMSA-6802-01Y901_1608SIZE	1	4000255AR1	NSP
D8900	DIODE	CUS357	1	223320R2	NSP
D8901	DIODE	CUS357	1	223320R2	NSP
D8902	DIODE	CUS357	1	223320R2	NSP
D8907	CHIP TYPE DIODE	DA2J10100	1	223303R2	NSP
D8907or	CHIP TYPE DIODE	1SS352	(1)	223234R2	NSP
D8909	CHIP TYPE DIODE	DA2J10100	1	223303R2	NSP
D8909or	CHIP TYPE DIODE	1SS352	(1)	223234R2	NSP
D8942	CHIP TYPE DIODE	DA2J10100	1	223303R2	NSP
D8942or	CHIP TYPE DIODE	1SS352	(1)	223234R2	NSP
D8943	CHIP TYPE DIODE	DA2J10100	1	223303R2	NSP
D8943or	CHIP TYPE DIODE	1SS352	(1)	223234R2	NSP
D8963	DIODE	RBR3MM30ATR	1	22380401R2	NSP
D8968	CHIP TYPE DIODE	DA2J10100	1	223303R2	NSP
D8968or	CHIP TYPE DIODE	1SS352	(1)	223234R2	NSP
D8969	ZENER DIODE	DZ2J062M0L	1	224760620R2	NSP
Q1001	HYBRID IC	TC7SZU04FU	1	22242512R2TO	NSP
Q1002	HYBRID IC	PCM5101APWR	1	22242855R2	NSP
Q1003	HYBRID IC	PCM9211PTR	1	22242703R2	NSP
Q1004	HYBRID IC	AK4458VN	1	22242927R2	NSP
Q1005	HYBRID IC	PCM9211PTR	1	22242703R2	NSP

Q1007	HYBRID IC	74VHC4040FT	1	22274040E1R2TO	NSP
Q1008	HYBRID IC	TC7WH241FU(TE12L_F)	1	22242076R2TO	NSP
Q1008or	HYBRID IC	SN74LVC2G241DCTR	(1)	22243275R2	NSP
Q1090	HYBRID IC	MM3464A50NRE	1	22243073R2	NSP
Q1091	HYBRID IC	S-1333A33-M5T1U3	1	22242934R2	NSP
Q1092	HYBRID IC	74LCX125FT	1	22274125BR2TO	NSP
Q1094	HYBRID IC	74LCX125FT	1	22274125BR2TO	NSP
Q1095	TRANSISTOR	KRC404E	1	2216450R2	NSP
Q1095or	TRANSISTOR	DTC044EEBTL	(1)	2218700R2	NSP
Q1097	HYBRID IC	74VHC541FT	1	22274541E1R2TO	NSP
Q1099	TRANSISTOR	KRC404E	1	2216450R2	NSP
Q1099or	TRANSISTOR	DTC044EEBTL	(1)	2218700R2	NSP
Q3001	HYBRID IC	AM3354BZCZ80	1	22243021R3	NSP
Q3002	HYBRID IC	TC58NVG1S3HTA00B4H	1	222W0155R3	NSP
Q3003	HYBRID IC	NT5CC128M16IP-DI	1	22243076R3	NSP
Q3006	HYBRID IC	PST894A160UR	1	22243226R2	NSP
Q3007	TRANSISTOR	KRC402E	1	2218330R2	NSP
Q3007or	TRANSISTOR	DTC014EEBTL	(1)	2218690R2	NSP
Q3201	HYBRID IC	MFI337S3959	1	22242820R2	NSP
Q3400	HYBRID IC	74LCX125FT	1	22274125BR2TO	NSP
Q3401	HYBRID IC	W25Q64FVSSIG	1	22243270R2	NSP
Q3403	HYBRID IC	TC7SZU04FU	1	22242512R2TO	NSP
Q3404	HYBRID IC	CS49844A-CQZ	1	22242926R3	NSP
Q3406	HYBRID IC	W9864G6KH-7	1	22243269R2	NSP
Q3406or	HYBRID IC	M12L64164A-7TG2Y	(1)	22242951R3	NSP
Q3410	TRANSISTOR	KRC402E	1	2218330R2	NSP
Q3410or	TRANSISTOR	DTC014EEBTL	(1)	2218690R2	NSP
Q3601	HYBRID IC	FP6861C-E1AS5CTR	1	22243273R2	NSP
Q3651	HYBRID IC	KSZ8091RNB	1	22243023R2	NSP
Q3652	HYBRID IC	SN74AUP1T17DCKR	1	222740170R2	NSP
Q3653	HYBRID IC	SN74AUP1T17DCKR	1	222740170R2	NSP
Q3654	HYBRID IC	TC74VCX125FT	1	22274125DR2TO	NSP
Q3667	TRANSISTOR	KRC402E	1	2218330R2	NSP
Q3667or	TRANSISTOR	DTC014EEBTL	(1)	2218690R2	NSP
Q3901	HYBRID IC	TPS65910A31A1RSLR	1	22243022R2	NSP
Q7001	HYBRID IC	M95640-WMN6TP	1	22242643R2	NSP
Q7001or	HYBRID IC	BR25S640FJ	(1)	22242761R2	NSP
Q7002	TRANSISTOR	KRA302E	1	2218360R2	NSP
Q7002or	TRANSISTOR	DTA014EEBTL	(1)	2218680R2	NSP
Q7003	TRANSISTOR	KRA302E	1	2218360R2	NSP
Q7003or	TRANSISTOR	DTA014EEBTL	(1)	2218680R2	NSP
Q7004	TRANSISTOR	KRA302E	1	2218360R2	NSP
Q7004or	TRANSISTOR	DTA014EEBTL	(1)	2218680R2	NSP
Q7005	TRANSISTOR	KRC404E	1	2216450R2	NSP
Q7005or	TRANSISTOR	DTC044EEBTL	(1)	2218700R2	NSP
Q7006	TRANSISTOR	KRC404E	1	2216450R2	NSP
Q7006or	TRANSISTOR	DTC044EEBTL	(1)	2218700R2	NSP
Q7007	TRANSISTOR	KRC404E	1	2216450R2	NSP
Q7007or	TRANSISTOR	DTC044EEBTL	(1)	2218700R2	NSP
Q7009	HYBRID IC	MPD70F3477AGJA-GAE-G	1	222W0117R3	NSP
Q7011	HYBRID IC	74LCX125FT	1	22274125BR2TO	NSP
Q7013	HYBRID IC	TC7WBL3305CFK	1	22242965R2	NSP
Q7016	TRANSISTOR	2SC2712-GR	1	2213145R2	NSP
Q7017	TRANSISTOR	KRC402E	1	2218330R2	NSP
Q7017or	TRANSISTOR	DTC014EEBTL	(1)	2218690R2	NSP

Q7018	HYBRID IC	S-1333A33-M5T1U3	1	22242934R2	NSP
Q7020	HYBRID IC	PST894A270UR	1	22243198R2	NSP
Q7027	HYBRID IC	S-1333A33-M5T1U3	1	22242934R2	NSP
Q7033	TRANSISTOR	KRC405E	1	2218340R2	NSP
Q7033or	TRANSISTOR	DTC023JEBTL	(1)	2218710R2	NSP
Q8003	HYBRID IC	74LCX125FT	1	22274125BR2TO	NSP
Q8004	TRANSISTOR	2SA1162-GR	1	2214375R2	NSP
Q8005	TRANSISTOR	KRC404E	1	2216450R2	NSP
Q8005or	TRANSISTOR	DTC044EEBTL	(1)	2218700R2	NSP
Q8114	HYBRID IC	74LCX125FT	1	22274125BR2TO	NSP
Q8202	HYBRID IC	ADV7180KCP32Z-RL	1	22242763R2	NSP
Q8203	HYBRID IC	MM3411A18URE	1	22243075R2	NSP
Q8205	HYBRID IC	MM3411A18URE	1	22243075R2	NSP
Q8300	HYBRID IC	MN864788A	1	22242930R3	NSP
Q8301	TRANSISTOR	KRC402E	1	2218330R2	NSP
Q8301or	TRANSISTOR	DTC014EEBTL	(1)	2218690R2	NSP
Q8302	TRANSISTOR	KRC402E	1	2218330R2	NSP
Q8302or	TRANSISTOR	DTC014EEBTL	(1)	2218690R2	NSP
Q8303	TRANSISTOR	KRC402E	1	2218330R2	NSP
Q8303or	TRANSISTOR	DTC014EEBTL	(1)	2218690R2	NSP
Q8304	TRANSISTOR	KRC402E	1	2218330R2	NSP
Q8304or	TRANSISTOR	DTC014EEBTL	(1)	2218690R2	NSP
Q8305	TRANSISTOR	KRC402E	1	2218330R2	NSP
Q8305or	TRANSISTOR	DTC014EEBTL	(1)	2218690R2	NSP
Q8306	TRANSISTOR	KRC402E	1	2218330R2	NSP
Q8306or	TRANSISTOR	DTC014EEBTL	(1)	2218690R2	NSP
Q8307	TRANSISTOR	KRC402E	1	2218330R2	NSP
Q8307or	TRANSISTOR	DTC014EEBTL	(1)	2218690R2	NSP
Q8308	TRANSISTOR	KRC402E	1	2218330R2	NSP
Q8308or	TRANSISTOR	DTC014EEBTL	(1)	2218690R2	NSP
Q8401	HYBRID IC	MN864787	1	22242944R3	NSP
Q8402	HYBRID IC	W25Q64FVSSIG	1	22243270R2	NSP
Q8402or	HYBRID IC	IS25LP064A-JBLE	(1)	222W0160R2	NSP
Q8701	HYBRID IC	TMPM361F10FG	1	222W0115R3	NSP
Q8702	TRANSISTOR	KRC402E	1	2218330R2	NSP
Q8702or	TRANSISTOR	DTC014EEBTL	(1)	2218690R2	NSP
Q8704	TRANSISTOR	KRA302E	1	2218360R2	NSP
Q8704or	TRANSISTOR	DTA014EEBTL	(1)	2218680R2	NSP
Q8705	TRANSISTOR	KRC402E	1	2218330R2	NSP
Q8705or	TRANSISTOR	DTC014EEBTL	(1)	2218690R2	NSP
Q8709	TRANSISTOR	KRC402E	1	2218330R2	NSP
Q8709or	TRANSISTOR	DTC014EEBTL	(1)	2218690R2	NSP
Q8710	TRANSISTOR	KRC402E	1	2218330R2	NSP
Q8710or	TRANSISTOR	DTC014EEBTL	(1)	2218690R2	NSP
Q8712	TRANSISTOR	KRC402E	1	2218330R2	NSP
Q8712or	TRANSISTOR	DTC014EEBTL	(1)	2218690R2	NSP
Q8713	TRANSISTOR	KRC402E	1	2218330R2	NSP
Q8713or	TRANSISTOR	DTC014EEBTL	(1)	2218690R2	NSP
Q8715	TRANSISTOR	KRA302E	1	2218360R2	NSP
Q8715or	TRANSISTOR	DTA014EEBTL	(1)	2218680R2	NSP
Q8716	TRANSISTOR	KRC402E	1	2218330R2	NSP
Q8716or	TRANSISTOR	DTC014EEBTL	(1)	2218690R2	NSP
Q8725	TRANSISTOR	KRC402E	1	2218330R2	NSP
Q8725or	TRANSISTOR	DTC014EEBTL	(1)	2218690R2	NSP
Q8727	TRANSISTOR	KRC402E	1	2218330R2	NSP

Q8727or	TRANSISTOR	DTC014EEBTL	(1)	2218690R2	NSP
Q8729	TRANSISTOR	KRC402E	1	2218330R2	NSP
Q8729or	TRANSISTOR	DTC014EEBTL	(1)	2218690R2	NSP
Q8730	TRANSISTOR	KRC402E	1	2218330R2	NSP
Q8730or	TRANSISTOR	DTC014EEBTL	(1)	2218690R2	NSP
Q8731	TRANSISTOR	KRC402E	1	2218330R2	NSP
Q8731or	TRANSISTOR	DTC014EEBTL	(1)	2218690R2	NSP
Q8732	TRANSISTOR	KRC402E	1	2218330R2	NSP
Q8732or	TRANSISTOR	DTC014EEBTL	(1)	2218690R2	NSP
Q8733	TRANSISTOR	KRC402E	1	2218330R2	NSP
Q8733or	TRANSISTOR	DTC014EEBTL	(1)	2218690R2	NSP
Q8900	HYBRID IC	FP6861C-E1AS5CTR	1	22243273R2	NSP
Q8907	HYBRID IC	MM3464A50NRE	1	22243073R2	NSP
Q8921	HYBRID IC	FR9888CSPCTR	1	22242839R2	NSP
Q8931	HYBRID IC	FR9888CSPCTR	1	22242839R2	NSP
Q8946	HYBRID IC	TPS22924CYZPR	1	22242807R2	NSP
Q8951	HYBRID IC	FR9888CSPCTR	1	22242839R2	NSP
Q8952	TRANSISTOR	2SC2712-GR	1	2213145R2	NSP
Q8961	HYBRID IC	FR9889SPCTR	1	22243033R2	NSP
Q8965	HYBRID IC	MM3464A50NRE	1	22243073R2	NSP
Q8967	HYBRID IC	FP6861C-E1AS5CTR	1	22243273R2	NSP
X1001	CRYSTAL	HC-49S 9C22.5792M	1	3010535R2	NSP
X3001	CRYSTAL	HC-49S 9C24.0000M	1	3010515R2	NSP
X3002	CRYSTAL	FC-135 -32.768K	1	3010532R2	NSP
X3401	CRYSTAL	HC-49S 9C24.5760M	1	3010516R2	NSP
X3651	CRYSTAL	HC-49S 9C25.0000M	1	3010517R2	NSP
X7001	CRYSTAL	CSTCR4M00G53-R0	1	3010536R2	NSP
X8201	CRYSTAL	HC-49S 9C28.6363M	1	3010519R2	NSP
X8300	CRYSTAL	HC-49S 9C27.0000M	1	3010518R2	NSP
X8400	CRYSTAL	HC-49S 9C27.0000M	1	3010518R2	NSP
X8701	CERAMIC RESONATOR	CSTCE8M00G55-R0	1	3010416R2	NSP
[Transformers, Coils]					
L1000	CORE	BLM15PX181SN1D	1	2350033R1	NSP
L1001	CORE	BLM15PX181SN1D	1	2350033R1	NSP
L1004	CORE	BK1005LL241-T	1	2350032R1	NSP
L1005	CORE	BK1005LL241-T	1	2350032R1	NSP
L1006	CORE	BK1005LL241-T	1	2350032R1	NSP
L1007	CORE	BK1005LL241-T	1	2350032R1	NSP
L1009	CHOKE COIL	LBC2518T4R7M	1	231364M047R2	NSP
L1010	CHOKE COIL	LBC2518T4R7M	1	231364M047R2	NSP
L1011	CHOKE COIL	LBC2518T4R7M	1	231364M047R2	NSP
L1012	CHOKE COIL	LBC2518T4R7M	1	231364M047R2	NSP
L1013	CHOKE COIL	LBC2518T4R7M	1	231364M047R2	NSP
L1014	CORE	BK1005LL241-T	1	2350032R1	NSP
L1018	CORE	BLM15PX181SN1D	1	2350033R1	NSP
L1019	CORE	BLM15PX181SN1D	1	2350033R1	NSP
L1021	CORE	BK1005LL241-T	1	2350032R1	NSP
L1022	CHOKE COIL	LBC2518T4R7M	1	231364M047R2	NSP
L1024	CORE	BK1005LL241-T	1	2350032R1	NSP
L1027	CORE	BK1005LL241-T	1	2350032R1	NSP
L1029	CORE	BK1005LL241-T	1	2350032R1	NSP
L3001	CORE	BLM15PX121SN1D	1	2350034R1	NSP
L3007	CHOKE COIL	LBC2518T4R7M	1	231364M047R2	NSP
L3201	CORE	BK1005LL241-T	1	2350032R1	NSP
L3202	CORE	BK1005LL241-T	1	2350032R1	NSP

L3401	CORE	BLM15PX181SN1D	1	2350033R1	NSP
L3402	CORE	BLM15PX181SN1D	1	2350033R1	NSP
L3403	CORE	BK1005LL241-T	1	2350032R1	NSP
L3405	CORE	BLM15PX121SN1D	1	2350034R1	NSP
L3406	CORE	BLM15PX330SN1D	1	2350043R1	NSP
L3407	CORE	BLM15PX121SN1D	1	2350034R1	NSP
L3408	CORE	BLM15PX121SN1D	1	2350034R1	NSP
L3409	CORE	BLM15PX181SN1D	1	2350033R1	NSP
L3411	CORE	BK1005LL241-T	1	2350032R1	NSP
L3601	CORE	BLM15PX121SN1D	1	2350034R1	NSP
L3602	CORE	BLM15PX121SN1D	1	2350034R1	NSP
L3611	CORE	MCF12102G900-T	1	2350041R2	NSP
L3613	CORE	MCF20104G900-T	1	2350040R2	NSP
L3651	CORE	BLM15PX121SN1D	1	2350034R1	NSP
L3652	CORE	BLM15PX121SN1D	1	2350034R1	NSP
L3655	CORE	BLM15PX121SN1D	1	2350034R1	NSP
L3656	CORE	BLM15PX121SN1D	1	2350034R1	NSP
L3661	CORE	BLM15PX121SN1D	1	2350034R1	NSP
L3901	CHOKE COIL	NRS4018T2R2MDGJ	1	231494R2	NSP
L3902	CHOKE COIL	NRS4018T2R2MDGJ	1	231494R2	NSP
L3903	CHOKE COIL	NRS4018T2R2MDGJ	1	231494R2	NSP
L3904	CORE	BLM15PX121SN1D	1	2350034R1	NSP
L3905	CORE	BLM15PX121SN1D	1	2350034R1	NSP
L3906	CORE	BLM15PX121SN1D	1	2350034R1	NSP
L3907	CORE	BLM15PX121SN1D	1	2350034R1	NSP
L3909	CORE	BLM15PX121SN1D	1	2350034R1	NSP
L3910	CORE	BLM15PX121SN1D	1	2350034R1	NSP
L3911	CORE	BLM15PX121SN1D	1	2350034R1	NSP
L7000	CORE	BLM15PX181SN1D	1	2350033R1	NSP
L7003	CORE	BLM15PX181SN1D	1	2350033R1	NSP
L7007	CORE	BLM15PX181SN1D	1	2350033R1	NSP
L8001	CORE	EXC24CH900U	1	2350039R2	NSP
L8002	CORE	EXC24CH900U	1	2350039R2	NSP
L8003	CORE	EXC24CH900U	1	2350039R2	NSP
L8004	CORE	EXC24CH900U	1	2350039R2	NSP
L8021	CORE	EXC24CH900U	1	2350039R2	NSP
L8022	CORE	EXC24CH900U	1	2350039R2	NSP
L8023	CORE	EXC24CH900U	1	2350039R2	NSP
L8024	CORE	EXC24CH900U	1	2350039R2	NSP
L8202	CORE	BLM15PX181SN1D	1	2350033R1	NSP
L8205	CORE	BLM15PX181SN1D	1	2350033R1	NSP
L8207	CORE	BLM15PX181SN1D	1	2350033R1	NSP
L8210	CORE	BLM15PX181SN1D	1	2350033R1	NSP
L8301	CORE	BLM15PX121SN1D	1	2350034R1	NSP
L8302	CORE	BLM15PX121SN1D	1	2350034R1	NSP
L8303	CORE	BLM15PX121SN1D	1	2350034R1	NSP
L8304	CORE	BLM15PX121SN1D	1	2350034R1	NSP
L8305	CORE	BLM15PX121SN1D	1	2350034R1	NSP
L8306	CORE	BLM15PX121SN1D	1	2350034R1	NSP
L8307	CORE	BLM15PX121SN1D	1	2350034R1	NSP
L8308	CORE	BLM15PX121SN1D	1	2350034R1	NSP
L8310	CORE	BLM15PX121SN1D	1	2350034R1	NSP
L8311	CORE	BLM15PX121SN1D	1	2350034R1	NSP
L8312	CORE	BLM15PX121SN1D	1	2350034R1	NSP
L8313	CORE	BLM15PX121SN1D	1	2350034R1	NSP

L8314	CORE	BLM15PX121SN1D	1	2350034R1	NSP
L8315	CORE	BLM15PX121SN1D	1	2350034R1	NSP
L8316	CORE	BLM15PX121SN1D	1	2350034R1	NSP
L8400	CORE	BLM15PX121SN1D	1	2350034R1	NSP
L8401	CORE	BLM15PX121SN1D	1	2350034R1	NSP
L8402	CORE	BLM15PX121SN1D	1	2350034R1	NSP
L8403	CORE	BLM15PX121SN1D	1	2350034R1	NSP
L8404	CORE	BLM15PX121SN1D	1	2350034R1	NSP
L8405	CORE	BLM15PX121SN1D	1	2350034R1	NSP
L8406	CORE	BLM15PX121SN1D	1	2350034R1	NSP
L8407	CORE	BLM15PX121SN1D	1	2350034R1	NSP
L8408	CORE	BLM15PX121SN1D	1	2350034R1	NSP
L8409	CORE	BLM15PX121SN1D	1	2350034R1	NSP
L8410	CORE	BLM15PX121SN1D	1	2350034R1	NSP
L8411	CORE	BLM15PX121SN1D	1	2350034R1	NSP
L8412	CORE	BLM15PX121SN1D	1	2350034R1	NSP
L8413	CORE	BLM15PX121SN1D	1	2350034R1	NSP
L8414	CORE	BLM15PX181SN1D	1	2350033R1	NSP
L8415	CORE	BLM15PX121SN1D	1	2350034R1	NSP
L8416	CORE	BK1005LL241-T	1	2350032R1	NSP
L8417	CORE	BLM15PX181SN1D	1	2350033R1	NSP
L8702	CORE	BLM15PX181SN1D	1	2350033R1	NSP
L8921	CHOKE COIL	BLM21PG221SN1	1	230949R2	NSP
L8922	CHOKE COIL	1255AS-100M	1	231482M100R2	NSP
L8923	CHOKE COIL	BLM21PG221SN1	1	230949R2	NSP
L8924	CHOKE COIL	BLM21PG221SN1	1	230949R2	NSP
L8931	CHOKE COIL	BLM21PG221SN1	1	230949R2	NSP
L8932	CHOKE COIL	1255AS-100M	1	231482M100R2	NSP
L8951	CHOKE COIL	BLM21PG221SN1	1	230949R2	NSP
L8952	CHOKE COIL	1255AS-100M	1	231482M100R2	NSP
L8953	CHOKE COIL	BLM21PG221SN1	1	230949R2	NSP
L8954	CHOKE COIL	BLM21PG221SN1	1	230949R2	NSP
L8961	CHOKE COIL	BLM21PG221SN1	1	230949R2	NSP
L8962	CHOKE COIL	1255AS-100M	1	231482M100R2	NSP
L8965	CORE	BLM15PX181SN1D	1	2350033R1	NSP
[Capacitors]					
C1001	CHIP TYPE CERAMIC CAPACITOR	CK725B1C-104K0	1	332011045R1	NSP
C1002	CHIP TYPE CERAMIC CAPACITOR	CK725B1H-104K1	1	332101045R1	NSP
C1004	CHIP TYPE CERAMIC CAPACITOR	CK725B1H-104K1	1	332101045R1	NSP
C1005	CHIP ELECT C	CECS16V-100M	1	398641017R2	NSP
C1005or	CHIP ELECT C	CEWX16V-100M	(1)	398141017R2	NSP
C1006	CHIP TYPE CERAMIC CAPACITOR	CK725B1H-104K1	1	332101045R1	NSP
C1008	CHIP TYPE CERAMIC CAPACITOR	CC725CH1H-180J0	1	342031804R1	NSP
C1009	CHIP TYPE CERAMIC CAPACITOR	CC725CH1H-150J0	1	342031504R1	NSP
C1010	CHIP TYPE CERAMIC CAPACITOR	CK725B1H-104K1	1	332101045R1	NSP
C1011	CHIP TYPE CERAMIC CAPACITOR	CK725B1C-104K0	1	332011045R1	NSP
C1012	CHIP ELECT C	CECS4V-220M	1	3986G2217R2	NSP
C1012or	CHIP ELECT C	CEWX4V-220M	(1)	3981G2217R2	NSP
C1013	CHIP TYPE CERAMIC CAPACITOR	CK725B1C-104K0	1	332011045R1	NSP
C1014	CHIP TYPE CERAMIC CAPACITOR	CK725B1C-104K0	1	332011045R1	NSP
C1015	CHIP TYPE CERAMIC CAPACITOR	CK725B1C-104K0	1	332011045R1	NSP
C1016	CHIP TYPE CERAMIC CAPACITOR	CK725B1H-104K1	1	332101045R1	NSP
C1017	CHIP ELECT C	CECS16V-100M	1	398641017R2	NSP
C1017or	CHIP ELECT C	CEWX16V-100M	(1)	398141017R2	NSP
C1018	CHIP TYPE CERAMIC CAPACITOR	CK725B1C-104K0	1	332011045R1	NSP

C1019	CHIP TYPE CERAMIC CAPACITOR	CK732B16V-106K	1	332071065R2	NSP
C1020	CHIP ELECT C	CECS4V-220M	1	3986G2217R2	NSP
C1020or	CHIP ELECT C	CEWX4V-220M	(1)	3981G2217R2	NSP
C1021	CHIP TYPE CERAMIC CAPACITOR	CK725B1H-472K0	1	332034725R1	NSP
C1022	CHIP ELECT C	CE32W16V-47M(EC-PC)	1	3500238R2	NSP
C1023	CHIP ELECT C	CECS16V-100M	1	398641017R2	NSP
C1023or	CHIP ELECT C	CEWX16V-100M	(1)	398141017R2	NSP
C1024	CHIP TYPE CERAMIC CAPACITOR	CK732B16V-106K	1	332071065R2	NSP
C1025	CHIP TYPE CERAMIC CAPACITOR	CK725B1H-223K0	1	332032235R1	NSP
C1026	CHIP TYPE CERAMIC CAPACITOR	CK725B1E-473K0	1	332024735R1	NSP
C1027	CHIP ELECT C	CECS4V-220M	1	3986G2217R2	NSP
C1027or	CHIP ELECT C	CEWX4V-220M	(1)	3981G2217R2	NSP
C1030	CHIP TYPE CERAMIC CAPACITOR	CK732B16V-106K	1	332071065R2	NSP
C1032	CHIP TYPE CERAMIC CAPACITOR	CK725B1A-105K0	1	332001055R1	NSP
C1033	CHIP TYPE CERAMIC CAPACITOR	CK725B1A-105K0	1	332001055R1	NSP
C1037	CHIP TYPE CERAMIC CAPACITOR	CK732B16V-106K	1	332071065R2	NSP
C1038	CHIP TYPE CERAMIC CAPACITOR	CC725CH1H-331J0	1	342033314R1	NSP
C1040	CHIP TYPE CERAMIC CAPACITOR	CK725B1H-472K0	1	332034725R1	NSP
C1051	CHIP TYPE CERAMIC CAPACITOR	CK725B1C-104K0	1	332011045R1	NSP
C1052	CHIP TYPE CERAMIC CAPACITOR	CK725B1C-104K0	1	332011045R1	NSP
C1053	CHIP TYPE CERAMIC CAPACITOR	CK725B1C-104K0	1	332011045R1	NSP
C1054	CHIP TYPE CERAMIC CAPACITOR	CK725B1A-225K1	1	332132255R1	NSP
C1055	CHIP TYPE CERAMIC CAPACITOR	CK725B1A-225K1	1	332132255R1	NSP
C1056	CHIP TYPE CERAMIC CAPACITOR	CK725B1C-104K0	1	332011045R1	NSP
C1057	CHIP TYPE CERAMIC CAPACITOR	CK732B16V-106K	1	332071065R2	NSP
C1058	CHIP TYPE CERAMIC CAPACITOR	CK725B1H-103K0	1	332031035R1	NSP
C1059	CHIP TYPE CERAMIC CAPACITOR	CK725B1H-103K0	1	332031035R1	NSP
C1062	CHIP TYPE CERAMIC CAPACITOR	CK725B1H-223K0	1	332032235R1	NSP
C1063	CHIP TYPE CERAMIC CAPACITOR	CK725B1E-473K0	1	332024735R1	NSP
C1068	CHIP TYPE CERAMIC CAPACITOR	CK725B1C-104K0	1	332011045R1	NSP
C1069	CHIP TYPE CERAMIC CAPACITOR	CK725B1C-104K0	1	332011045R1	NSP
C1071	CHIP TYPE CERAMIC CAPACITOR	CK725B1C-104K0	1	332011045R1	NSP
C1072	CHIP TYPE CERAMIC CAPACITOR	CK725B1C-104K0	1	332011045R1	NSP
C1073	CHIP TYPE CERAMIC CAPACITOR	CK725B1C-104K0	1	332011045R1	NSP
C1074	CHIP TYPE CERAMIC CAPACITOR	CK725B1C-104K0	1	332011045R1	NSP
C1075	CHIP TYPE CERAMIC CAPACITOR	CK725B1C-104K0	1	332011045R1	NSP
C1079	CHIP TYPE CERAMIC CAPACITOR	CK725B1C-104K0	1	332011045R1	NSP
C1091	CHIP TYPE CERAMIC CAPACITOR	CK725B0J-226M	1	332092267R2	NSP
C1092	CHIP TYPE CERAMIC CAPACITOR	CK732B16V-106K	1	332071065R2	NSP
C1093	CHIP TYPE CERAMIC CAPACITOR	CK732B16V-106K	1	332071065R2	NSP
C1094	CHIP TYPE CERAMIC CAPACITOR	CK732B16V-106K	1	332071065R2	NSP
C1095	CHIP TYPE CERAMIC CAPACITOR	CK725B1C-104K0	1	332011045R1	NSP
C1105	CHIP TYPE CERAMIC CAPACITOR	CK725B1C-104K0	1	332011045R1	NSP
C1106	CHIP TYPE CERAMIC CAPACITOR	CK725B1C-104K0	1	332011045R1	NSP
C1119	CHIP TYPE CERAMIC CAPACITOR	CK725B1H-102K0	1	332031025R1	NSP
C1125	CHIP TYPE CERAMIC CAPACITOR	CK725B1H-102K0	1	332031025R1	NSP
C3001	CHIP TYPE CERAMIC CAPACITOR	CK725B1A-105K0	1	332001055R1	NSP
C3002	CHIP TYPE CERAMIC CAPACITOR	CK732B16V-106K	1	332071065R2	NSP
C3003	CHIP TYPE CERAMIC CAPACITOR	CK725B1A-105K0	1	332001055R1	NSP
C3004	CHIP TYPE CERAMIC CAPACITOR	CK725B1H-102K0	1	332031025R1	NSP
C3005	CHIP TYPE CERAMIC CAPACITOR	CC725CH1H-180J0	1	342031804R1	NSP
C3006	CHIP TYPE CERAMIC CAPACITOR	CC725CH1H-180J0	1	342031804R1	NSP
C3007	CHIP TYPE CERAMIC CAPACITOR	CC725CH1H-120J0	1	342031204R1	NSP
C3008	CHIP TYPE CERAMIC CAPACITOR	CC725CH1H-120J0	1	342031204R1	NSP
C3009	CHIP TYPE CERAMIC CAPACITOR	CK725B1H-102K0	1	332031025R1	NSP

C3010	CHIP TYPE CERAMIC CAPACITOR	CK725B1A-105K0	1	332001055R1	NSP
C3011	CHIP TYPE CERAMIC CAPACITOR	CK725B1H-102K0	1	332031025R1	NSP
C3012	CHIP TYPE CERAMIC CAPACITOR	CK725B1A-105K0	1	332001055R1	NSP
C3013	CHIP TYPE CERAMIC CAPACITOR	CK725B1H-102K0	1	332031025R1	NSP
C3014	CHIP TYPE CERAMIC CAPACITOR	CK725B1H-102K0	1	332031025R1	NSP
C3015	CHIP TYPE CERAMIC CAPACITOR	CK725B1C-104K0	1	332011045R1	NSP
C3016	CHIP TYPE CERAMIC CAPACITOR	CK732B16V-106K	1	332071065R2	NSP
C3017	CHIP TYPE CERAMIC CAPACITOR	CK732B16V-106K	1	332071065R2	NSP
C3018	CHIP TYPE CERAMIC CAPACITOR	CK725B1C-104K0	1	332011045R1	NSP
C3019	CHIP TYPE CERAMIC CAPACITOR	CK725B1C-104K0	1	332011045R1	NSP
C3020	CHIP TYPE CERAMIC CAPACITOR	CK725B1C-104K0	1	332011045R1	NSP
C3021	CHIP TYPE CERAMIC CAPACITOR	CK725B1C-104K0	1	332011045R1	NSP
C3022	CHIP TYPE CERAMIC CAPACITOR	CK725B1C-104K0	1	332011045R1	NSP
C3023	CHIP TYPE CERAMIC CAPACITOR	CK725B1C-104K0	1	332011045R1	NSP
C3024	CHIP TYPE CERAMIC CAPACITOR	CK725B1C-104K0	1	332011045R1	NSP
C3025	CHIP TYPE CERAMIC CAPACITOR	CK725B1C-104K0	1	332011045R1	NSP
C3026	CHIP TYPE CERAMIC CAPACITOR	CK725B1C-104K0	1	332011045R1	NSP
C3027	CHIP TYPE CERAMIC CAPACITOR	CK725B1C-104K0	1	332011045R1	NSP
C3028	CHIP TYPE CERAMIC CAPACITOR	CK725B1C-104K0	1	332011045R1	NSP
C3029	CHIP TYPE CERAMIC CAPACITOR	CK725B1C-104K0	1	332011045R1	NSP
C3030	CHIP TYPE CERAMIC CAPACITOR	CK725B1C-104K0	1	332011045R1	NSP
C3031	CHIP TYPE CERAMIC CAPACITOR	CK725B1C-104K0	1	332011045R1	NSP
C3032	CHIP TYPE CERAMIC CAPACITOR	CK725B1C-104K0	1	332011045R1	NSP
C3072	CHIP TYPE CERAMIC CAPACITOR	CK732B16V-106K	1	332071065R2	NSP
C3073	CHIP ELECT C	CECS6.3V-22M	1	398622207R2	NSP
C3073or	CHIP ELECT C	CEWX6.3V-22M	(1)	398122207R2	NSP
C3074	CHIP ELECT C	CECS16V-100M	1	398641017R2	NSP
C3074or	CHIP ELECT C	CEWX16V-100M	(1)	398141017R2	NSP
C3075	CHIP TYPE CERAMIC CAPACITOR	CK732B16V-106K	1	332071065R2	NSP
C3076	CHIP TYPE CERAMIC CAPACITOR	CK725B1C-104K0	1	332011045R1	NSP
C3077	CHIP TYPE CERAMIC CAPACITOR	CK725B1A-105K0	1	332001055R1	NSP
C3201	CHIP TYPE CERAMIC CAPACITOR	CK725B1C-104K0	1	332011045R1	NSP
C3202	CHIP TYPE CERAMIC CAPACITOR	CK725B1C-104K0	1	332011045R1	NSP
C3325	CHIP TYPE CERAMIC CAPACITOR	CK725B1A-105K0	1	332001055R1	NSP
C3400	CHIP TYPE CERAMIC CAPACITOR	CK725B1C-104K0	1	332011045R1	NSP
C3401	CHIP TYPE CERAMIC CAPACITOR	CC725CH1H-331J0	1	342033314R1	NSP
C3402	CHIP TYPE CERAMIC CAPACITOR	CK725B1C-104K0	1	332011045R1	NSP
C3403	CHIP TYPE CERAMIC CAPACITOR	CK725B1C-104K0	1	332011045R1	NSP
C3404	CHIP TYPE CERAMIC CAPACITOR	CK725B1C-104K0	1	332011045R1	NSP
C3405	CHIP TYPE CERAMIC CAPACITOR	CK725B1C-104K0	1	332011045R1	NSP
C3406	CHIP TYPE CERAMIC CAPACITOR	CK725B1A-105K0	1	332001055R1	NSP
C3407	CHIP TYPE CERAMIC CAPACITOR	CK725B1C-104K0	1	332011045R1	NSP
C3408	CHIP TYPE CERAMIC CAPACITOR	CK725B1H-102K0	1	332031025R1	NSP
C3410	CHIP TYPE CERAMIC CAPACITOR	CK725B1C-104K0	1	332011045R1	NSP
C3411	CHIP TYPE CERAMIC CAPACITOR	CK725B1C-104K0	1	332011045R1	NSP
C3412	CHIP TYPE CERAMIC CAPACITOR	CK725B1C-104K0	1	332011045R1	NSP
C3413	CHIP TYPE CERAMIC CAPACITOR	CC725CH1H-120J0	1	342031204R1	NSP
C3414	CHIP TYPE CERAMIC CAPACITOR	CC725CH1H-120J0	1	342031204R1	NSP
C3415	CHIP TYPE CERAMIC CAPACITOR	CK725B1C-104K0	1	332011045R1	NSP
C3416	CHIP TYPE CERAMIC CAPACITOR	CK725B1C-104K0	1	332011045R1	NSP
C3418	CHIP TYPE CERAMIC CAPACITOR	CK725B1C-104K0	1	332011045R1	NSP
C3419	CHIP TYPE CERAMIC CAPACITOR	CK725B1C-104K0	1	332011045R1	NSP
C3420	CHIP TYPE CERAMIC CAPACITOR	CK725B1C-104K0	1	332011045R1	NSP
C3422	CHIP TYPE CERAMIC CAPACITOR	CK725B1C-104K0	1	332011045R1	NSP
C3423	CHIP TYPE CERAMIC CAPACITOR	CK725B1C-104K0	1	332011045R1	NSP

C3424	CHIP TYPE CERAMIC CAPACITOR	CK725B1C-104K0	1	332011045R1	NSP
C3425	CHIP TYPE CERAMIC CAPACITOR	CK725B1C-104K0	1	332011045R1	NSP
C3426	CHIP TYPE CERAMIC CAPACITOR	CK725B1H-102K0	1	332031025R1	NSP
C3427	CHIP TYPE CERAMIC CAPACITOR	CK725B1C-104K0	1	332011045R1	NSP
C3428	CHIP TYPE CERAMIC CAPACITOR	CK725B1H-103K0	1	332031035R1	NSP
C3429	CHIP TYPE CERAMIC CAPACITOR	CK725B1H-103K0	1	332031035R1	NSP
C3431	CHIP TYPE CERAMIC CAPACITOR	CK725B1H-102K0	1	332031025R1	NSP
C3432	CHIP TYPE CERAMIC CAPACITOR	CK725B1H-102K0	1	332031025R1	NSP
C3433	CHIP TYPE CERAMIC CAPACITOR	CK725B1C-104K0	1	332011045R1	NSP
C3434	CHIP TYPE CERAMIC CAPACITOR	CK732B16V-106K	1	332071065R2	NSP
C3435	CHIP TYPE CERAMIC CAPACITOR	CK732B16V-106K	1	332071065R2	NSP
C3436	CHIP TYPE CERAMIC CAPACITOR	CK732B16V-106K	1	332071065R2	NSP
C3437	CHIP TYPE CERAMIC CAPACITOR	CK725B1C-104K0	1	332011045R1	NSP
C3438	CHIP TYPE CERAMIC CAPACITOR	CK725B1C-104K0	1	332011045R1	NSP
C3439	CHIP TYPE CERAMIC CAPACITOR	CK725B1C-104K0	1	332011045R1	NSP
C3440	CHIP TYPE CERAMIC CAPACITOR	CK725B1C-104K0	1	332011045R1	NSP
C3441	CHIP TYPE CERAMIC CAPACITOR	CK725B1C-104K0	1	332011045R1	NSP
C3442	CHIP TYPE CERAMIC CAPACITOR	CK732B16V-106K	1	332071065R2	NSP
C3443	CHIP TYPE CERAMIC CAPACITOR	CK725B1A-105K0	1	332001055R1	NSP
C3444	CHIP TYPE CERAMIC CAPACITOR	CK725B1A-105K0	1	332001055R1	NSP
C3445	CHIP TYPE CERAMIC CAPACITOR	CK725B1A-105K0	1	332001055R1	NSP
C3446	CHIP TYPE CERAMIC CAPACITOR	CK725B1A-105K0	1	332001055R1	NSP
C3457	CHIP TYPE CERAMIC CAPACITOR	CK725B1C-104K0	1	332011045R1	NSP
C3458	CHIP TYPE CERAMIC CAPACITOR	CK725B1C-104K0	1	332011045R1	NSP
C3459	CHIP TYPE CERAMIC CAPACITOR	CK725B1C-104K0	1	332011045R1	NSP
C3462	CHIP TYPE CERAMIC CAPACITOR	CK732B16V-106K	1	332071065R2	NSP
C3472	CHIP ELECT C	CECS4V-220M	1	3986G2217R2	NSP
C3472or	CHIP ELECT C	CEWX4V-220M	(1)	3981G2217R2	NSP
C3601	CHIP TYPE CERAMIC CAPACITOR	CK725B0J-226M	1	332092267R2	NSP
C3602	CHIP TYPE CERAMIC CAPACITOR	CK725B0J-226M	1	332092267R2	NSP
C3603	CHIP TYPE CERAMIC CAPACITOR	CK725B1H-102K0	1	332031025R1	NSP
C3651	CHIP TYPE CERAMIC CAPACITOR	CK725B1A-105K0	1	332001055R1	NSP
C3652	CHIP TYPE CERAMIC CAPACITOR	CK725B0J-226M	1	332092267R2	NSP
C3654	CHIP TYPE CERAMIC CAPACITOR	CK725B1C-104K0	1	332011045R1	NSP
C3655	CHIP TYPE CERAMIC CAPACITOR	CK725B1C-104K0	1	332011045R1	NSP
C3656	CHIP TYPE CERAMIC CAPACITOR	CK725B1C-104K0	1	332011045R1	NSP
C3657	CHIP TYPE CERAMIC CAPACITOR	CK725B1C-104K0	1	332011045R1	NSP
C3659	CHIP TYPE CERAMIC CAPACITOR	CK725B1C-104K0	1	332011045R1	NSP
C3660	CHIP TYPE CERAMIC CAPACITOR	CK725B1H-102K0	1	332031025R1	NSP
C3661	CHIP TYPE CERAMIC CAPACITOR	CK725B1H-102K0	1	332031025R1	NSP
C3662	CHIP TYPE CERAMIC CAPACITOR	CK725B0J-226M	1	332092267R2	NSP
C3663	CHIP TYPE CERAMIC CAPACITOR	CK725B1A-225K1	1	332132255R1	NSP
C3664	CHIP TYPE CERAMIC CAPACITOR	CK725B0J-226M	1	332092267R2	NSP
C3665	CHIP TYPE CERAMIC CAPACITOR	CK725B0J-226M	1	332092267R2	NSP
C3666	CHIP TYPE CERAMIC CAPACITOR	CC725CH1H-150J0	1	342031504R1	NSP
C3667	CHIP TYPE CERAMIC CAPACITOR	CC725CH1H-150J0	1	342031504R1	NSP
C3668	CHIP TYPE CERAMIC CAPACITOR	CK725B1C-104K0	1	332011045R1	NSP
C3669	CHIP TYPE CERAMIC CAPACITOR	CK725B1C-104K0	1	332011045R1	NSP
C3670	CHIP TYPE CERAMIC CAPACITOR	CK725B1C-104K0	1	332011045R1	NSP
C3674	CHIP TYPE CERAMIC CAPACITOR	CK725B1H-103K0	1	332031035R1	NSP
C3685	CHIP TYPE CERAMIC CAPACITOR	CK732B16V-106K	1	332071065R2	NSP
C3686	CHIP TYPE CERAMIC CAPACITOR	CK725B1A-105K0	1	332001055R1	NSP
C3689	CHIP TYPE CERAMIC CAPACITOR	CK725B1H-223K0	1	332032235R1	NSP
C3690	CHIP TYPE CERAMIC CAPACITOR	CC725CH1H-221J0	1	342032214R1	NSP
C3691	CHIP TYPE CERAMIC CAPACITOR	CC725CH1H-220J0	1	342032204R1	NSP

C7002	CHIP TYPE CERAMIC CAPACITOR	CK725B1H-102K0	1	332031025R1	NSP
C7003	CHIP TYPE CERAMIC CAPACITOR	CK725B1C-104K0	1	332011045R1	NSP
C7004	CHIP TYPE CERAMIC CAPACITOR	CK725B1C-104K0	1	332011045R1	NSP
C7006	CHIP TYPE CERAMIC CAPACITOR	CK725B1C-104K0	1	332011045R1	NSP
C7008	CHIP TYPE CERAMIC CAPACITOR	CK725B50V-224K	1	332242245R1	NSP
C7009	CHIP TYPE CERAMIC CAPACITOR	CK725B1A-105K0	1	332001055R1	NSP
C7010	CHIP TYPE CERAMIC CAPACITOR	CK725B50V-224K	1	332242245R1	NSP
C7011	CHIP TYPE CERAMIC CAPACITOR	CK725B1A-105K0	1	332001055R1	NSP
C7012	CHIP TYPE CERAMIC CAPACITOR	CK725B50V-224K	1	332242245R1	NSP
C7013	CHIP TYPE CERAMIC CAPACITOR	CK725B1A-105K0	1	332001055R1	NSP
C7014	CHIP TYPE CERAMIC CAPACITOR	CK725B1C-104K0	1	332011045R1	NSP
C7015	CHIP TYPE CERAMIC CAPACITOR	CK725B1C-104K0	1	332011045R1	NSP
C7017	CHIP TYPE CERAMIC CAPACITOR	CK725B1C-104K0	1	332011045R1	NSP
C7018	CHIP TYPE CERAMIC CAPACITOR	CK725B1C-104K0	1	332011045R1	NSP
C7019	CHIP TYPE CERAMIC CAPACITOR	CK725B1C-104K0	1	332011045R1	NSP
C7020	CHIP TYPE CERAMIC CAPACITOR	CK725B1A-475K1	1	332134755R1	NSP
C7029	CHIP TYPE CERAMIC CAPACITOR	CK732B16V-106K	1	332071065R2	NSP
C7030	CHIP TYPE CERAMIC CAPACITOR	CK725B1H-102K0	1	332031025R1	NSP
C7031	CHIP TYPE CERAMIC CAPACITOR	CK725B1H-102K0	1	332031025R1	NSP
C7032	CHIP TYPE CERAMIC CAPACITOR	CK725B1C-104K0	1	332011045R1	NSP
C7036	CHIP TYPE CERAMIC CAPACITOR	CK725B1C-104K0	1	332011045R1	NSP
C7038	CHIP TYPE CERAMIC CAPACITOR	CK732B16V-106K	1	332071065R2	NSP
C7039	CHIP TYPE CERAMIC CAPACITOR	CK732B16V-106K	1	332071065R2	NSP
C7052	CHIP TYPE CERAMIC CAPACITOR	CK725B1H-102K0	1	332031025R1	NSP
C7062	CHIP TYPE CERAMIC CAPACITOR	CK732B16V-106K	1	332071065R2	NSP
C7075	CHIP TYPE CERAMIC CAPACITOR	CK725B1E-153K0	1	332021535R1	NSP
C7076	CHIP TYPE CERAMIC CAPACITOR	CK725B1H-104K1	1	332101045R1	NSP
C7077	CHIP TYPE CERAMIC CAPACITOR	CC725CH1H-101J0	1	342031014R1	NSP
C7180	CHIP TYPE CERAMIC CAPACITOR	CK725B1H-102K0	1	332031025R1	NSP
C7181	CHIP TYPE CERAMIC CAPACITOR	CK725B1H-102K0	1	332031025R1	NSP
C7182	CHIP TYPE CERAMIC CAPACITOR	CK725B1H-102K0	1	332031025R1	NSP
C7183	CHIP TYPE CERAMIC CAPACITOR	CK725B1H-102K0	1	332031025R1	NSP
C7184	CHIP TYPE CERAMIC CAPACITOR	CK725B1A-105K0	1	332001055R1	NSP
C8007	CHIP TYPE CERAMIC CAPACITOR	CK725B1H-102K0	1	332031025R1	NSP
C8008	CHIP TYPE CERAMIC CAPACITOR	CK725B1H-102K0	1	332031025R1	NSP
C8023	CHIP TYPE CERAMIC CAPACITOR	CK725B1A-105K0	1	332001055R1	NSP
C8024	CHIP TYPE CERAMIC CAPACITOR	CK725B1A-105K0	1	332001055R1	NSP
C8025	CHIP TYPE CERAMIC CAPACITOR	CK725B1A-105K0	1	332001055R1	NSP
C8038	CHIP TYPE CERAMIC CAPACITOR	CK725B1C-104K0	1	332011045R1	NSP
C8091	CHIP TYPE CERAMIC CAPACITOR	CK725B1C-104K0	1	332011045R1	NSP
C8113	CHIP TYPE CERAMIC CAPACITOR	CK725B1C-104K0	1	332011045R1	NSP
C8206	CHIP TYPE CERAMIC CAPACITOR	CK725B1C-104K0	1	332011045R1	NSP
C8207	CHIP TYPE CERAMIC CAPACITOR	CK725B1H-102K0	1	332031025R1	NSP
C8208	CHIP TYPE CERAMIC CAPACITOR	CK725B1C-104K0	1	332011045R1	NSP
C8210	CHIP TYPE CERAMIC CAPACITOR	CK725B1C-104K0	1	332011045R1	NSP
C8211	CHIP TYPE CERAMIC CAPACITOR	CK725B1C-104K0	1	332011045R1	NSP
C8214	CHIP TYPE CERAMIC CAPACITOR	CK725B1C-104K0	1	332011045R1	NSP
C8215	CHIP TYPE CERAMIC CAPACITOR	CK732B16V-106K	1	332071065R2	NSP
C8219	CHIP TYPE CERAMIC CAPACITOR	CK725B1H-103K0	1	332031035R1	NSP
C8220	CHIP TYPE CERAMIC CAPACITOR	CK725B1C-104K0	1	332011045R1	NSP
C8221	CHIP TYPE CERAMIC CAPACITOR	CK725B1H-102K0	1	332031025R1	NSP
C8222	CHIP TYPE CERAMIC CAPACITOR	CK725B1C-104K0	1	332011045R1	NSP
C8223	CHIP TYPE CERAMIC CAPACITOR	CK725B1C-104K0	1	332011045R1	NSP
C8224	CHIP TYPE CERAMIC CAPACITOR	CK725B1C-104K0	1	332011045R1	NSP
C8225	CHIP TYPE CERAMIC CAPACITOR	CK725B1C-104K0	1	332011045R1	NSP

C8443	CHIP TYPE CERAMIC CAPACITOR	CK732B16V-106K	1	332071065R2	NSP
C8444	CHIP TYPE CERAMIC CAPACITOR	CK732B16V-106K	1	332071065R2	NSP
C8445	CHIP TYPE CERAMIC CAPACITOR	CK732B16V-106K	1	332071065R2	NSP
C8446	CHIP TYPE CERAMIC CAPACITOR	CK732B16V-106K	1	332071065R2	NSP
C8447	CHIP TYPE CERAMIC CAPACITOR	CK732B16V-106K	1	332071065R2	NSP
C8449	CHIP TYPE CERAMIC CAPACITOR	CK725B1C-104K0	1	332011045R1	NSP
C8450	CHIP TYPE CERAMIC CAPACITOR	CK725B1C-104K0	1	332011045R1	NSP
C8451	CHIP TYPE CERAMIC CAPACITOR	CK725B1C-104K0	1	332011045R1	NSP
C8452	CHIP TYPE CERAMIC CAPACITOR	CK725B1C-104K0	1	332011045R1	NSP
C8453	CHIP TYPE CERAMIC CAPACITOR	CK725B1C-104K0	1	332011045R1	NSP
C8454	CHIP TYPE CERAMIC CAPACITOR	CK725B1C-104K0	1	332011045R1	NSP
C8455	CHIP TYPE CERAMIC CAPACITOR	CK725B1C-104K0	1	332011045R1	NSP
C8456	CHIP TYPE CERAMIC CAPACITOR	CK725B1C-104K0	1	332011045R1	NSP
C8457	CHIP TYPE CERAMIC CAPACITOR	CK725B1C-104K0	1	332011045R1	NSP
C8459	CHIP TYPE CERAMIC CAPACITOR	CK732B16V-106K	1	332071065R2	NSP
C8460	CHIP TYPE CERAMIC CAPACITOR	CC725CH1H-120J0	1	342031204R1	NSP
C8461	CHIP TYPE CERAMIC CAPACITOR	CC725CH1H-100J0	1	342031004R1	NSP
C8462	CHIP TYPE CERAMIC CAPACITOR	CK732B16V-106K	1	332071065R2	NSP
C8463	CHIP TYPE CERAMIC CAPACITOR	CC725CH1H-101J0	1	342031014R1	NSP
C8464	CHIP TYPE CERAMIC CAPACITOR	CK725B1H-103K0	1	332031035R1	NSP
C8465	CHIP TYPE CERAMIC CAPACITOR	CK725B1H-103K0	1	332031035R1	NSP
C8470	CHIP TYPE CERAMIC CAPACITOR	CK732B16V-106K	1	332071065R2	NSP
C8472	CHIP TYPE CERAMIC CAPACITOR	CK725B1C-104K0	1	332011045R1	NSP
C8473	CHIP TYPE CERAMIC CAPACITOR	CK725B1C-104K0	1	332011045R1	NSP
C8474	CHIP TYPE CERAMIC CAPACITOR	CK725B1H-102K0	1	332031025R1	NSP
C8475	CHIP TYPE CERAMIC CAPACITOR	CK725B1H-102K0	1	332031025R1	NSP
C8476	CHIP TYPE CERAMIC CAPACITOR	CK725B1A-105K0	1	332001055R1	NSP
C8477	CHIP TYPE CERAMIC CAPACITOR	CK725B1A-105K0	1	332001055R1	NSP
C8478	CHIP TYPE CERAMIC CAPACITOR	CK725B1A-105K0	1	332001055R1	NSP
C8484	CHIP TYPE CERAMIC CAPACITOR	CK725B1H-102K0	1	332031025R1	NSP
C8485	CHIP TYPE CERAMIC CAPACITOR	CK725B1C-104K0	1	332011045R1	NSP
C8611	CHIP TYPE CERAMIC CAPACITOR	CK725B1H-102K0	1	332031025R1	NSP
C8612	CHIP TYPE CERAMIC CAPACITOR	CK725B1H-102K0	1	332031025R1	NSP
C8621	CHIP TYPE CERAMIC CAPACITOR	CK725B1H-102K0	1	332031025R1	NSP
C8631	CHIP TYPE CERAMIC CAPACITOR	CK725B1H-102K0	1	332031025R1	NSP
C8632	CHIP TYPE CERAMIC CAPACITOR	CK725B1H-102K0	1	332031025R1	NSP
C8661	CHIP TYPE CERAMIC CAPACITOR	CK725B1H-102K0	1	332031025R1	NSP
C8662	CHIP TYPE CERAMIC CAPACITOR	CK725B1H-102K0	1	332031025R1	NSP
C8700	CHIP TYPE CERAMIC CAPACITOR	CK725B1C-104K0	1	332011045R1	NSP
C8701	CHIP TYPE CERAMIC CAPACITOR	CK725B1C-104K0	1	332011045R1	NSP
C8702	CHIP TYPE CERAMIC CAPACITOR	CK725B1C-104K0	1	332011045R1	NSP
C8703	CHIP TYPE CERAMIC CAPACITOR	CK725B1C-104K0	1	332011045R1	NSP
C8704	CHIP TYPE CERAMIC CAPACITOR	CK725B1C-104K0	1	332011045R1	NSP
C8705	CHIP TYPE CERAMIC CAPACITOR	CK725B1A-105K0	1	332001055R1	NSP
C8706	CHIP TYPE CERAMIC CAPACITOR	CK725B1C-104K0	1	332011045R1	NSP
C8707	CHIP TYPE CERAMIC CAPACITOR	CK725B1C-104K0	1	332011045R1	NSP
C8709	CHIP TYPE CERAMIC CAPACITOR	CK732B16V-106K	1	332071065R2	NSP
C8710	CHIP TYPE CERAMIC CAPACITOR	CK725B1C-104K0	1	332011045R1	NSP
C8894	CHIP TYPE CERAMIC CAPACITOR	CK725B0J-226M	1	332092267R2	NSP
C8895	CHIP TYPE CERAMIC CAPACITOR	CK725B1C-104K0	1	332011045R1	NSP
C8907	CHIP TYPE CERAMIC CAPACITOR	CK725B1A-105K0	1	332001055R1	NSP
C8908	CHIP TYPE CERAMIC CAPACITOR	CK732B16V-106K	1	332071065R2	NSP
C8909	CHIP TYPE CERAMIC CAPACITOR	CK725B1A-105K0	1	332001055R1	NSP
C8910	CHIP TYPE CERAMIC CAPACITOR	CK725B0J-226M	1	332092267R2	NSP
C8911	CHIP TYPE CERAMIC CAPACITOR	CK732B16V-106K	1	332071065R2	NSP

C8912	CHIP TYPE CERAMIC CAPACITOR	CK725B0J-226M	1	332092267R2	NSP
C8913	CHIP TYPE CERAMIC CAPACITOR	CK725B1A-225K1	1	332132255R1	NSP
C8917	CHIP TYPE CERAMIC CAPACITOR	CK725B1C-104K0	1	332011045R1	NSP
C8918	CHIP TYPE CERAMIC CAPACITOR	CK725B0J-226M	1	332092267R2	NSP
C8921	CHIP TYPE CERAMIC CAPACITOR	CK725B1H-103K0	1	332031035R1	NSP
C8922	CHIP TYPE CERAMIC CAPACITOR	CK725B1C-104K0	1	332011045R1	NSP
C8923	CHIP TYPE CERAMIC CAPACITOR	CK725B1E-106K	1	332221065R2	NSP
C8924	CHIP TYPE CERAMIC CAPACITOR	CK725B1E-106K	1	332221065R2	NSP
C8925	CHIP TYPE CERAMIC CAPACITOR	CK725B1H-103K0	1	332031035R1	NSP
C8926	CHIP TYPE CERAMIC CAPACITOR	CK725B0J-226M	1	332092267R2	NSP
C8927	CHIP TYPE CERAMIC CAPACITOR	CK725B0J-226M	1	332092267R2	NSP
C8929	CHIP TYPE CERAMIC CAPACITOR	CK732B16V-106K	1	332071065R2	NSP
C8930	CHIP TYPE CERAMIC CAPACITOR	CK725B0J-226M	1	332092267R2	NSP
C8931	CHIP TYPE CERAMIC CAPACITOR	CK725B1H-103K0	1	332031035R1	NSP
C8932	CHIP TYPE CERAMIC CAPACITOR	CK725B1C-104K0	1	332011045R1	NSP
C8933	CHIP TYPE CERAMIC CAPACITOR	CK725B1E-106K	1	332221065R2	NSP
C8934	CHIP TYPE CERAMIC CAPACITOR	CK725B1E-106K	1	332221065R2	NSP
C8935	CHIP TYPE CERAMIC CAPACITOR	CK725B1H-103K0	1	332031035R1	NSP
C8936	CHIP TYPE CERAMIC CAPACITOR	CK725B0J-226M	1	332092267R2	NSP
C8937	CHIP TYPE CERAMIC CAPACITOR	CK725B0J-226M	1	332092267R2	NSP
C8951	CHIP TYPE CERAMIC CAPACITOR	CK725B1H-103K0	1	332031035R1	NSP
C8952	CHIP TYPE CERAMIC CAPACITOR	CK725B1C-104K0	1	332011045R1	NSP
C8953	CHIP TYPE CERAMIC CAPACITOR	CK725B1E-106K	1	332221065R2	NSP
C8954	CHIP TYPE CERAMIC CAPACITOR	CK725B1E-106K	1	332221065R2	NSP
C8955	CHIP TYPE CERAMIC CAPACITOR	CK725B1H-103K0	1	332031035R1	NSP
C8956	CHIP TYPE CERAMIC CAPACITOR	CK725B0J-226M	1	332092267R2	NSP
C8957	CHIP TYPE CERAMIC CAPACITOR	CK725B0J-226M	1	332092267R2	NSP
C8961	CHIP TYPE CERAMIC CAPACITOR	CK725B1H-103K0	1	332031035R1	NSP
C8962	CHIP TYPE CERAMIC CAPACITOR	CK725B1C-104K0	1	332011045R1	NSP
C8963	CHIP TYPE CERAMIC CAPACITOR	CK725B1E-106K	1	332221065R2	NSP
C8964	CHIP TYPE CERAMIC CAPACITOR	CK725B1E-106K	1	332221065R2	NSP
C8966	CHIP TYPE CERAMIC CAPACITOR	CK725B0J-226M	1	332092267R2	NSP
C8967	CHIP TYPE CERAMIC CAPACITOR	CK725B0J-226M	1	332092267R2	NSP
C8980	CHIP TYPE CERAMIC CAPACITOR	CK725B1A-105K0	1	332001055R1	NSP
C8981	CHIP TYPE CERAMIC CAPACITOR	CK732B16V-106K	1	332071065R2	NSP
C8984	CHIP TYPE CERAMIC CAPACITOR	CC725CH1H-102J1	1	342101024R1	NSP
C8985	CHIP TYPE CERAMIC CAPACITOR	CK725B0J-226M	1	332092267R2	NSP
C8986	CHIP TYPE CERAMIC CAPACITOR	CK725B0J-226M	1	332092267R2	NSP
C8987	CHIP TYPE CERAMIC CAPACITOR	CK725B0J-226M	1	332092267R2	NSP

[Resistors]

R1001	CHIP TYPE CARBON RESISTOR	RN72K1J-331JE	1	435033314R1	NSP
R1002	CHIP TYPE CARBON RESISTOR	RN72K1J-151JE	1	435031514R1	NSP
R1003	CHIP TYPE CARBON RESISTOR	RN72K1J-151JE	1	435031514R1	NSP
R1004	CHIP TYPE CARBON RESISTOR	RN72K1J-151JE	1	435031514R1	NSP
R1005	CHIP TYPE CARBON RESISTOR	RN72K1J-331JE	1	435033314R1	NSP
R1006	CHIP TYPE CARBON RESISTOR	RN72K1J-560JE	1	435035604R1	NSP
R1007	CHIP TYPE CARBON RESISTOR	RN72K1J-105JE	1	435031054R1	NSP
R1008	CHIP TYPE CARBON RESISTOR	RN72K1J-102JE	1	435031024R1	NSP
R1010	CHIP TYPE CARBON RESISTOR	RN72K1J-103JE	1	435031034R1	NSP
R1011	CHIP TYPE CARBON RESISTOR	RN72K1J-220JE	1	435032204R1	NSP
R1012	CHIP TYPE CARBON RESISTOR	RN72K1J-220JE	1	435032204R1	NSP
R1013	CHIP TYPE CARBON RESISTOR	RN72K1J-220JE	1	435032204R1	NSP
R1014	CHIP TYPE CARBON RESISTOR	RN72K1J-220JE	1	435032204R1	NSP
R1015	CHIP TYPE CARBON RESISTOR	RN72K1J-220JE	1	435032204R1	NSP
R1016	CHIP TYPE CARBON RESISTOR	RN72K1J-220JE	1	435032204R1	NSP

R1017	CHIP TYPE CARBON RESISTOR	RN72K1J-470JE	1	435034704R1	NSP
R1018	CHIP TYPE CARBON RESISTOR	RN72K1J-103JE	1	435031034R1	NSP
R1019	CHIP TYPE CARBON RESISTOR	RN72K1J-470JE	1	435034704R1	NSP
R1020	CHIP TYPE CARBON RESISTOR	RN72K1J-391JE	1	435033914R1	NSP
R1021	CHIP TYPE CARBON RESISTOR	RN72K1J-101JE	1	435031014R1	NSP
R1022	CHIP TYPE CARBON RESISTOR	RN72K1J-151JE	1	435031514R1	NSP
R1023	CHIP TYPE CARBON RESISTOR	RN72K1J-221JE	1	435032214R1	NSP
R1024	CHIP TYPE CARBON RESISTOR	RN72K1J-470JE	1	435034704R1	NSP
R1025	CHIP TYPE CARBON RESISTOR	RN72K1J-470JE	1	435034704R1	NSP
R1026	CHIP TYPE CARBON RESISTOR	RN72K1J-331JE	1	435033314R1	NSP
R1027	CHIP TYPE CARBON RESISTOR	RN72K1J-221JE	1	435032214R1	NSP
R1028	CHIP TYPE CARBON RESISTOR	RN72K1J-221JE	1	435032214R1	NSP
R1029	CHIP TYPE CARBON RESISTOR	RN72K1J-102JE	1	435031024R1	NSP
R1031	CHIP TYPE CARBON RESISTOR	RN72K1J-331JE	1	435033314R1	NSP
R1032	CHIP TYPE CARBON RESISTOR	RN72K1J-331JE	1	435033314R1	NSP
R1034	CHIP TYPE CARBON RESISTOR	RN72K1J-221JE	1	435032214R1	NSP
R1035	CHIP TYPE CARBON RESISTOR	RN72K1J-331JE	1	435033314R1	NSP
R1037	CHIP TYPE CARBON RESISTOR	RN72K1J-331JE	1	435033314R1	NSP
R1039	CHIP TYPE CARBON RESISTOR	RN72K1J-330JE	1	435033304R1	NSP
R1041	CHIP TYPE CARBON RESISTOR	RN72K1J-221JE	1	435032214R1	NSP
R1042	CHIP TYPE CARBON RESISTOR	RN72K1J-331JE	1	435033314R1	NSP
R1043	CHIP TYPE CARBON RESISTOR	RN72K1J-221JE	1	435032214R1	NSP
R1044	CHIP TYPE CARBON RESISTOR	RN72K1J-221JE	1	435032214R1	NSP
R1046	CHIP TYPE CARBON RESISTOR	RN72K1J-470JE	1	435034704R1	NSP
R1047	CHIP TYPE CARBON RESISTOR	RN72K1J-681JE	1	435036814R1	NSP
R1049	CHIP RESISTOR NETWORK	MNR04MRAPJ103	1	43464710304R2	NSP
R1049or	CHIP RESISTOR NETWORK	YCN104-103-JK	(1)	43464C10304R1	NSP
R1054	CHIP TYPE CARBON RESISTOR	RN72K1J-221JE	1	435032214R1	NSP
R1055	CHIP TYPE CARBON RESISTOR	RN72K1J-000JE	1	435030004R1	NSP
R1056	CHIP TYPE CARBON RESISTOR	RN72K1J-000JE	1	435030004R1	NSP
R1057	CHIP TYPE CARBON RESISTOR	RN72K1J-681JE	1	435036814R1	NSP
R1059	CHIP TYPE CARBON RESISTOR	RN72K1J-103JE	1	435031034R1	NSP
R1060	CHIP TYPE CARBON RESISTOR	RN72K1J-470JE	1	435034704R1	NSP
R1061	CHIP TYPE CARBON RESISTOR	RN72K1J-103JE	1	435031034R1	NSP
R1062	CHIP TYPE CARBON RESISTOR	RN72K1J-221JE	1	435032214R1	NSP
R1063	CHIP TYPE CARBON RESISTOR	RN72K1J-103JE	1	435031034R1	NSP
R1064	CHIP TYPE CARBON RESISTOR	RN72K1J-221JE	1	435032214R1	NSP
R1066	CHIP TYPE CARBON RESISTOR	RN72K1J-470JE	1	435034704R1	NSP
R1067	CHIP TYPE CARBON RESISTOR	RN72K1J-103JE	1	435031034R1	NSP
R1069	CHIP TYPE CARBON RESISTOR	RN72K1J-151JE	1	435031514R1	NSP
R1071	CHIP TYPE CARBON RESISTOR	RN72K1J-470JE	1	435034704R1	NSP
R1072	CHIP TYPE CARBON RESISTOR	RN72K1J-331JE	1	435033314R1	NSP
R1073	CHIP TYPE CARBON RESISTOR	RN72K1J-331JE	1	435033314R1	NSP
R1074	CHIP TYPE CARBON RESISTOR	RN72K1J-331JE	1	435033314R1	NSP
R1075	CHIP TYPE CARBON RESISTOR	RN72K1J-221JE	1	435032214R1	NSP
R1076	CHIP TYPE CARBON RESISTOR	RN72K1J-330JE	1	435033304R1	NSP
R1077	CHIP TYPE CARBON RESISTOR	RN72K1J-330JE	1	435033304R1	NSP
R1078	CHIP TYPE PLASTIC FILM CAPACITOR	50MU103KY11608	1	376921035R2	NSP
R1079	CHIP TYPE PLASTIC FILM CAPACITOR	50MU103KY11608	1	376921035R2	NSP
R1081	CHIP TYPE CARBON RESISTOR	RN72K1J-181JE	1	435031814R1	NSP
R1083	CHIP TYPE CARBON RESISTOR	RN72K1J-103JE	1	435031034R1	NSP
R1084	CHIP TYPE CARBON RESISTOR	RN72K1J-221JE	1	435032214R1	NSP
R1085	CHIP TYPE CARBON RESISTOR	RN72K1J-181JE	1	435031814R1	NSP
R1087	CHIP TYPE CARBON RESISTOR	RN72K1J-471JE	1	435034714R1	NSP
R1088	CHIP TYPE CARBON RESISTOR	RN72K1J-471JE	1	435034714R1	NSP

R1090	CHIP TYPE CARBON RESISTOR	RN72K1J-331JE	1	435033314R1	NSP
R1091	CHIP TYPE CARBON RESISTOR	RN72K1J-331JE	1	435033314R1	NSP
R1092	CHIP TYPE CARBON RESISTOR	RN72K1J-331JE	1	435033314R1	NSP
R1093	CHIP TYPE CARBON RESISTOR	RN72K1J-103JE	1	435031034R1	NSP
R1098	CHIP TYPE CARBON RESISTOR	RN72K1J-103JE	1	435031034R1	NSP
R1099	CHIP TYPE CARBON RESISTOR	RN72K1J-103JE	1	435031034R1	NSP
R1100	CHIP TYPE CARBON RESISTOR	RN72K1J-101JE	1	435031014R1	NSP
R1101	CHIP TYPE CARBON RESISTOR	RN72K1J-221JE	1	435032214R1	NSP
R1102	CHIP TYPE CARBON RESISTOR	RN72K1J-221JE	1	435032214R1	NSP
R1103	CHIP TYPE CARBON RESISTOR	RN72K1J-331JE	1	435033314R1	NSP
R1104	CHIP TYPE CARBON RESISTOR	RN72K1J-470JE	1	435034704R1	NSP
R1105	CHIP TYPE CARBON RESISTOR	RN72K1J-681JE	1	435036814R1	NSP
R1106	CHIP TYPE CARBON RESISTOR	RN72K1J-151JE	1	435031514R1	NSP
R1107	CHIP TYPE CARBON RESISTOR	RN72K1J-221JE	1	435032214R1	NSP
R1108	CHIP TYPE CARBON RESISTOR	RN72K1J-331JE	1	435033314R1	NSP
R1109	CHIP TYPE CARBON RESISTOR	RN72K1J-470JE	1	435034704R1	NSP
R1110	CHIP TYPE CARBON RESISTOR	RN72K1J-221JE	1	435032214R1	NSP
R1111	CHIP TYPE CARBON RESISTOR	RN72K1J-221JE	1	435032214R1	NSP
R1112	CHIP TYPE CARBON RESISTOR	RN72K1J-221JE	1	435032214R1	NSP
R1113	CHIP TYPE CARBON RESISTOR	RN72K1J-470JE	1	435034704R1	NSP
R1114	CHIP TYPE CARBON RESISTOR	RN72K1J-221JE	1	435032214R1	NSP
R1115	CHIP TYPE CARBON RESISTOR	RN72K1J-221JE	1	435032214R1	NSP
R1116	CHIP TYPE CARBON RESISTOR	RN72K1J-470JE	1	435034704R1	NSP
R1117	CHIP TYPE CARBON RESISTOR	RN72K1J-103JE	1	435031034R1	NSP
R1124	CHIP TYPE CARBON RESISTOR	RN72K1J-221JE	1	435032214R1	NSP
R1133	CHIP TYPE CARBON RESISTOR	RN72K1J-470JE	1	435034704R1	NSP
R1134	CHIP TYPE CARBON RESISTOR	RN72K1J-470JE	1	435034704R1	NSP
R1135	CHIP TYPE CARBON RESISTOR	RN72K1J-470JE	1	435034704R1	NSP
R1136	CHIP TYPE CARBON RESISTOR	RN72K1J-470JE	1	435034704R1	NSP
R1137	CHIP TYPE CARBON RESISTOR	RN72K1J-470JE	1	435034704R1	NSP
R1138	CHIP TYPE CARBON RESISTOR	RN72K1J-470JE	1	435034704R1	NSP
R1139	CHIP TYPE CARBON RESISTOR	RN72K1J-470JE	1	435034704R1	NSP
R1141	CHIP TYPE CARBON RESISTOR	RN72K1J-470JE	1	435034704R1	NSP
R1142	CHIP TYPE CARBON RESISTOR	RN72K1J-470JE	1	435034704R1	NSP
R1143	CHIP TYPE CARBON RESISTOR	RN72K1J-470JE	1	435034704R1	NSP
R1144	CHIP TYPE CARBON RESISTOR	RN72K1J-470JE	1	435034704R1	NSP
R1145	CHIP TYPE CARBON RESISTOR	RN72K1J-470JE	1	435034704R1	NSP
R1146	CHIP TYPE CARBON RESISTOR	RN72K1J-470JE	1	435034704R1	NSP
R1147	CHIP TYPE CARBON RESISTOR	RN72K1J-470JE	1	435034704R1	NSP
R1149	CHIP TYPE CARBON RESISTOR	RN72K1J-331JE	1	435033314R1	NSP
R1150	CHIP TYPE CARBON RESISTOR	RN72K1J-331JE	1	435033314R1	NSP
R1153	CHIP TYPE CARBON RESISTOR	RN72K1J-000JE	1	435030004R1	NSP
R1154	CHIP TYPE CARBON RESISTOR	RN72K1J-000JE	1	435030004R1	NSP
R1158	CHIP TYPE CARBON RESISTOR	RN72K1J-330JE	1	435033304R1	NSP
R1159	CHIP TYPE CARBON RESISTOR	RN72K1J-103JE	1	435031034R1	NSP
R1160	CHIP TYPE CARBON RESISTOR	RN72K1J-330JE	1	435033304R1	NSP
R1161	CHIP TYPE CARBON RESISTOR	RN72K1J-470JE	1	435034704R1	NSP
R1167	CHIP RESISTOR NETWORK	MNR04MRAPJ470	1	43464747004R2	NSP
R1167or	CHIP RESISTOR NETWORK	YCN104-470-JK	(1)	43464C47004R1	NSP
R1168	CHIP TYPE CARBON RESISTOR	RN72K1J-470JE	1	435034704R1	NSP
R1176	CHIP TYPE CARBON RESISTOR	RN72K1J-000JE	1	435030004R1	NSP
R1182	CHIP TYPE CARBON RESISTOR	RN72K1J-000JE	1	435030004R1	NSP
R1183	CHIP TYPE CARBON RESISTOR	RN72K1J-000JE	1	435030004R1	NSP
R1184	CHIP TYPE CARBON RESISTOR	RN72K1J-000JE	1	435030004R1	NSP
R1208	CHIP TYPE CARBON RESISTOR	RN72K1J-101JE	1	435031014R1	NSP

R3009	CHIP TYPE CARBON RESISTOR	RN72K1J-102JE	1	435031024R1	NSP
R3010	CHIP TYPE CARBON RESISTOR	RN72K1J-475JE	1	435034754R1	NSP
R3011	CHIP TYPE CARBON RESISTOR	RN72K1J-105JE	1	435031054R1	NSP
R3012	CHIP TYPE CARBON RESISTOR	RN72K1J-220JE	1	435032204R1	NSP
R3013	CHIP TYPE CARBON RESISTOR	RN72K1J-220JE	1	435032204R1	NSP
R3014	CHIP TYPE CARBON RESISTOR	RN72K1J-220JE	1	435032204R1	NSP
R3015	CHIP TYPE CARBON RESISTOR	RN72K1J-220JE	1	435032204R1	NSP
R3016	CHIP TYPE CARBON RESISTOR	RN72K1J-220JE	1	435032204R1	NSP
R3017	CHIP TYPE CARBON RESISTOR	RN72K1J-220JE	1	435032204R1	NSP
R3018	CHIP TYPE CARBON RESISTOR	RN72K1J-220JE	1	435032204R1	NSP
R3019	CHIP TYPE CARBON RESISTOR	RN72K1J-472JE	1	435034724R1	NSP
R3020	CHIP TYPE CARBON RESISTOR	RN72K1J-103JE	1	435031034R1	NSP
R3021	CHIP TYPE CARBON RESISTOR	RN72K1J-103JE	1	435031034R1	NSP
R3022	CHIP TYPE CARBON RESISTOR	RN72K1J-470JE	1	435034704R1	NSP
R3023	CHIP TYPE CARBON RESISTOR	RN72K1J-470JE	1	435034704R1	NSP
R3028	CHIP TYPE CARBON RESISTOR	RN72K1J-103JE	1	435031034R1	NSP
R3029	CHIP TYPE CARBON RESISTOR	RN72K1J-102JE	1	435031024R1	NSP
R3030	CHIP TYPE CARBON RESISTOR	RN72K1J-223JE	1	435032234R1	NSP
R3031	CHIP TYPE CARBON RESISTOR	RN72K1J-104JE	1	435031044R1	NSP
R3032	CHIP TYPE CARBON RESISTOR	RN72K1J-470JE	1	435034704R1	NSP
R3033	CHIP TYPE CARBON RESISTOR	RN72K1J-470JE	1	435034704R1	NSP
R3034	CHIP TYPE CARBON RESISTOR	RN72K1J-470JE	1	435034704R1	NSP
R3035	CHIP TYPE CARBON RESISTOR	RN72K1J-102JE	1	435031024R1	NSP
R3036	CHIP TYPE CARBON RESISTOR	RN72K1J-470JE	1	435034704R1	NSP
R3037	CHIP TYPE CARBON RESISTOR	RN72K1J-470JE	1	435034704R1	NSP
R3038	CHIP TYPE CARBON RESISTOR	RN72K1J-470JE	1	435034704R1	NSP
R3039	CHIP TYPE CARBON RESISTOR	RN72K1J-470JE	1	435034704R1	NSP
R3040	CHIP TYPE CARBON RESISTOR	MCR03EZPF49R9(49.9_1%)	1	4100037R2	NSP
R3041	CHIP TYPE CARBON RESISTOR	RN72K1J-271FE	1	435032712R1	NSP
R3042	CHIP TYPE CARBON RESISTOR	RN72K1J-222FE	1	435032222R1	NSP
R3043	CHIP TYPE CARBON RESISTOR	RN72K1J-103FE	1	435031032R1	NSP
R3044	CHIP TYPE CARBON RESISTOR	RN72K1J-103FE	1	435031032R1	NSP
R3045	CHIP TYPE CARBON RESISTOR	RN72K1J-102FE	1	435031022R1	NSP
R3046	CHIP TYPE CARBON RESISTOR	RN72K1J-102FE	1	435031022R1	NSP
R3072	CHIP TYPE CARBON RESISTOR	RN72K1J-682JE	1	435036824R1	NSP
R3073	CHIP TYPE CARBON RESISTOR	RN72K1J-682JE	1	435036824R1	NSP
R3074	CHIP TYPE CARBON RESISTOR	RN72K1J-393JE	1	435033934R1	NSP
R3075	CHIP TYPE CARBON RESISTOR	RN72K1J-393JE	1	435033934R1	NSP
R3078	CHIP TYPE CARBON RESISTOR	RN72K1J-000JE	1	435030004R1	NSP
R3079	CHIP TYPE CARBON RESISTOR	RN72K1J-475JE	1	435034754R1	NSP
R3080	CHIP TYPE CARBON RESISTOR	RN72K1J-475JE	1	435034754R1	NSP
R3081	CHIP RESISTOR NETWORK	MNR04MRAPJ470	1	43464747004R2	NSP
R3081or	CHIP RESISTOR NETWORK	YCN104-470-JK	(1)	43464C47004R1	NSP
R3082	CHIP RESISTOR NETWORK	MNR04MRAPJ470	1	43464747004R2	NSP
R3082or	CHIP RESISTOR NETWORK	YCN104-470-JK	(1)	43464C47004R1	NSP
R3083	CHIP RESISTOR NETWORK	MNR04MRAPJ470	1	43464747004R2	NSP
R3083or	CHIP RESISTOR NETWORK	YCN104-470-JK	(1)	43464C47004R1	NSP
R3201	CHIP TYPE CARBON RESISTOR	RN72K1J-470JE	1	435034704R1	NSP
R3202	CHIP TYPE CARBON RESISTOR	RN72K1J-181JE	1	435031814R1	NSP
R3203	CHIP TYPE CARBON RESISTOR	RN72K1J-470JE	1	435034704R1	NSP
R3204	CHIP TYPE CARBON RESISTOR	RN72K1J-470JE	1	435034704R1	NSP
R3205	CHIP TYPE CARBON RESISTOR	RN72K1J-470JE	1	435034704R1	NSP
R3206	CHIP TYPE CARBON RESISTOR	RN72K1J-470JE	1	435034704R1	NSP
R3207	CHIP TYPE CARBON RESISTOR	RN72K1J-470JE	1	435034704R1	NSP
R3208	CHIP TYPE CARBON RESISTOR	RN72K1J-470JE	1	435034704R1	NSP

R3330	CHIP TYPE CARBON RESISTOR	RN72K1J-220JE	1	435032204R1	NSP
R3331	CHIP TYPE CARBON RESISTOR	RN72K1J-220JE	1	435032204R1	NSP
R3332	CHIP TYPE CARBON RESISTOR	RN72K1J-470JE	1	435034704R1	NSP
R3333	CHIP TYPE CARBON RESISTOR	RN72K1J-470JE	1	435034704R1	NSP
R3334	CHIP TYPE CARBON RESISTOR	RN72K1J-470JE	1	435034704R1	NSP
R3335	CHIP TYPE CARBON RESISTOR	RN72K1J-470JE	1	435034704R1	NSP
R3336	CHIP TYPE CARBON RESISTOR	RN72K1J-470JE	1	435034704R1	NSP
R3337	CHIP TYPE CARBON RESISTOR	RN72K1J-470JE	1	435034704R1	NSP
R3338	CHIP TYPE CARBON RESISTOR	RN72K1J-470JE	1	435034704R1	NSP
R3339	CHIP TYPE CARBON RESISTOR	RN72K1J-470JE	1	435034704R1	NSP
R3340	CHIP TYPE CARBON RESISTOR	RN72K1J-470JE	1	435034704R1	NSP
R3341	CHIP TYPE CARBON RESISTOR	RN72K1J-470JE	1	435034704R1	NSP
R3342	CHIP TYPE CARBON RESISTOR	RN72K1J-470JE	1	435034704R1	NSP
R3343	CHIP TYPE CARBON RESISTOR	RN72K1J-470JE	1	435034704R1	NSP
R3344	CHIP TYPE CARBON RESISTOR	RN72K1J-470JE	1	435034704R1	NSP
R3345	CHIP TYPE CARBON RESISTOR	RN72K1J-220JE	1	435032204R1	NSP
R3346	CHIP TYPE CARBON RESISTOR	RN72K1J-470JE	1	435034704R1	NSP
R3347	CHIP TYPE CARBON RESISTOR	RN72K1J-103JE	1	435031034R1	NSP
R3348	CHIP TYPE CARBON RESISTOR	RN72K1J-470JE	1	435034704R1	NSP
R3349	CHIP TYPE CARBON RESISTOR	RN72K1J-472JE	1	435034724R1	NSP
R3350	CHIP TYPE CARBON RESISTOR	RN72K1J-472JE	1	435034724R1	NSP
R3351	CHIP RESISTOR NETWORK	MNR04MRAPJ103	1	43464710304R2	NSP
R3351or	CHIP RESISTOR NETWORK	YCN104-103-JK	(1)	43464C10304R1	NSP
R3352	CHIP RESISTOR NETWORK	MNR04MRAPJ103	1	43464710304R2	NSP
R3352or	CHIP RESISTOR NETWORK	YCN104-103-JK	(1)	43464C10304R1	NSP
R3353	CHIP RESISTOR NETWORK	MNR04MRAPJ220	1	43464722004R2	NSP
R3353or	CHIP RESISTOR NETWORK	YCN104-220-JK	(1)	43464C22004R1	NSP
R3354	CHIP RESISTOR NETWORK	MNR04MRAPJ220	1	43464722004R2	NSP
R3354or	CHIP RESISTOR NETWORK	YCN104-220-JK	(1)	43464C22004R1	NSP
R3355	CHIP RESISTOR NETWORK	MNR04MRAPJ220	1	43464722004R2	NSP
R3355or	CHIP RESISTOR NETWORK	YCN104-220-JK	(1)	43464C22004R1	NSP
R3356	CHIP RESISTOR NETWORK	MNR04MRAPJ220	1	43464722004R2	NSP
R3356or	CHIP RESISTOR NETWORK	YCN104-220-JK	(1)	43464C22004R1	NSP
R3357	CHIP TYPE CARBON RESISTOR	RN72K1J-103JE	1	435031034R1	NSP
R3358	CHIP TYPE CARBON RESISTOR	RN72K1J-103JE	1	435031034R1	NSP
R3360	CHIP TYPE CARBON RESISTOR	RN72K1J-472JE	1	435034724R1	NSP
R3361	CHIP TYPE CARBON RESISTOR	RN72K1J-103JE	1	435031034R1	NSP
R3367	CHIP TYPE CARBON RESISTOR	RN72K1J-470JE	1	435034704R1	NSP
R3369	CHIP TYPE CARBON RESISTOR	RN72K1J-472JE	1	435034724R1	NSP
R3373	CHIP TYPE CARBON RESISTOR	RN72K1J-472JE	1	435034724R1	NSP
R3377	CHIP TYPE CARBON RESISTOR	RN72K1J-000JE	1	435030004R1	NSP
R3400	CHIP TYPE CARBON RESISTOR	RN72K1J-103JE	1	435031034R1	NSP
R3401	CHIP TYPE CARBON RESISTOR	RN72K1J-470JE	1	435034704R1	NSP
R3403	CHIP TYPE CARBON RESISTOR	RN72K1J-221JE	1	435032214R1	NSP
R3404	CHIP TYPE CARBON RESISTOR	RN72K1J-470JE	1	435034704R1	NSP
R3405	CHIP TYPE CARBON RESISTOR	RN72K1J-470JE	1	435034704R1	NSP
R3406	CHIP TYPE CARBON RESISTOR	RN72K1J-332JE	1	435033324R1	NSP
R3407	CHIP TYPE CARBON RESISTOR	RN72K1J-222JE	1	435032224R1	NSP
R3408	CHIP RESISTOR NETWORK	MNR04MRAPJ221	1	43464722104R2	NSP
R3408or	CHIP RESISTOR NETWORK	YCN104-221-JK	(1)	43464C22104R1	NSP
R3409	CHIP RESISTOR NETWORK	MNR04MRAPJ221	1	43464722104R2	NSP
R3409or	CHIP RESISTOR NETWORK	YCN104-221-JK	(1)	43464C22104R1	NSP
R3410	CHIP TYPE CARBON RESISTOR	RN72K1J-220JE	1	435032204R1	NSP
R3411	CHIP RESISTOR NETWORK	MNR04MRAPJ000	1	43464700004R2	NSP
R3411or	CHIP RESISTOR NETWORK	YCN104-000-ZK	(1)	43484C00004R1	NSP

R3412	CHIP TYPE CARBON RESISTOR	RN72K1J-472JE	1	435034724R1	NSP
R3413	CHIP TYPE CARBON RESISTOR	RN72K1J-470JE	1	435034704R1	NSP
R3414	CHIP TYPE CARBON RESISTOR	RN72K1J-103JE	1	435031034R1	NSP
R3415	CHIP RESISTOR NETWORK	MNR04MRAPJ000	1	43464700004R2	NSP
R3415or	CHIP RESISTOR NETWORK	YCN104-000-ZK	(1)	43484C00004R1	NSP
R3416	CHIP TYPE CARBON RESISTOR	RN72K1J-151JE	1	435031514R1	NSP
R3417	CHIP TYPE CARBON RESISTOR	RN72K1J-470JE	1	435034704R1	NSP
R3418	CHIP TYPE CARBON RESISTOR	RN72K1J-103JE	1	435031034R1	NSP
R3421	CHIP TYPE CARBON RESISTOR	RN72K1J-470JE	1	435034704R1	NSP
R3424	CHIP TYPE CARBON RESISTOR	RN72K1J-470JE	1	435034704R1	NSP
R3425	CHIP TYPE CARBON RESISTOR	RN72K1J-470JE	1	435034704R1	NSP
R3428	CHIP TYPE CARBON RESISTOR	RN72K1J-472JE	1	435034724R1	NSP
R3429	CHIP RESISTOR NETWORK	MNR04MRAPJ470	1	43464747004R2	NSP
R3429or	CHIP RESISTOR NETWORK	YCN104-470-JK	(1)	43464C47004R1	NSP
R3430	CHIP RESISTOR NETWORK	MNR04MRAPJ470	1	43464747004R2	NSP
R3430or	CHIP RESISTOR NETWORK	YCN104-470-JK	(1)	43464C47004R1	NSP
R3433	CHIP TYPE CARBON RESISTOR	RN72K1J-103JE	1	435031034R1	NSP
R3434	CHIP TYPE CARBON RESISTOR	RN72K1J-332JE	1	435033324R1	NSP
R3435	CHIP TYPE CARBON RESISTOR	RN72K1J-222JE	1	435032224R1	NSP
R3436	CHIP TYPE CARBON RESISTOR	RN72K1J-220JE	1	435032204R1	NSP
R3437	CHIP TYPE CARBON RESISTOR	RN72K1J-470JE	1	435034704R1	NSP
R3438	CHIP TYPE CARBON RESISTOR	RN72K1J-470JE	1	435034704R1	NSP
R3439	CHIP TYPE CARBON RESISTOR	RN72K1J-332JE	1	435033324R1	NSP
R3440	CHIP TYPE CARBON RESISTOR	RN72K1J-332JE	1	435033324R1	NSP
R3441	CHIP RESISTOR NETWORK	MNR04MRAPJ470	1	43464747004R2	NSP
R3441or	CHIP RESISTOR NETWORK	YCN104-470-JK	(1)	43464C47004R1	NSP
R3442	CHIP TYPE CARBON RESISTOR	RN72K1J-105JE	1	435031054R1	NSP
R3444	CHIP TYPE CARBON RESISTOR	RN72K1J-470JE	1	435034704R1	NSP
R3445	CHIP RESISTOR NETWORK	MNR04MRAPJ470	1	43464747004R2	NSP
R3445or	CHIP RESISTOR NETWORK	YCN104-470-JK	(1)	43464C47004R1	NSP
R3446	CHIP TYPE CARBON RESISTOR	RN72K1J-102JE	1	435031024R1	NSP
R3447	CHIP TYPE CARBON RESISTOR	RN72K1J-470JE	1	435034704R1	NSP
R3448	CHIP TYPE CARBON RESISTOR	RN72K1J-470JE	1	435034704R1	NSP
R3450	CHIP TYPE CARBON RESISTOR	RN72K1J-470JE	1	435034704R1	NSP
R3452	CHIP TYPE CARBON RESISTOR	RN72K1J-470JE	1	435034704R1	NSP
R3453	CHIP TYPE CARBON RESISTOR	RN72K1J-221JE	1	435032214R1	NSP
R3454	CHIP TYPE CARBON RESISTOR	RN72K1J-470JE	1	435034704R1	NSP
R3455	CHIP TYPE CARBON RESISTOR	RN72K1J-101JE	1	435031014R1	NSP
R3456	CHIP TYPE CARBON RESISTOR	RN72K1J-470JE	1	435034704R1	NSP
R3457	CHIP RESISTOR NETWORK	MNR04MRAPJ470	1	43464747004R2	NSP
R3457or	CHIP RESISTOR NETWORK	YCN104-470-JK	(1)	43464C47004R1	NSP
R3462	CHIP TYPE CARBON RESISTOR	RN72K1J-102JE	1	435031024R1	NSP
R3464	CHIP TYPE CARBON RESISTOR	RN72K1J-102JE	1	435031024R1	NSP
R3465	CHIP TYPE CARBON RESISTOR	RN72K1J-102JE	1	435031024R1	NSP
R3466	CHIP TYPE CARBON RESISTOR	RN72K1J-102JE	1	435031024R1	NSP
R3469	CHIP TYPE CARBON RESISTOR	RN72K1J-222JE	1	435032224R1	NSP
R3470	CHIP TYPE CARBON RESISTOR	RN72K1J-222JE	1	435032224R1	NSP
R3473	CHIP TYPE CARBON RESISTOR	RN72K1J-103JE	1	435031034R1	NSP
R3474	CHIP TYPE CARBON RESISTOR	RN72K1J-103JE	1	435031034R1	NSP
R3481	CHIP TYPE CARBON RESISTOR	RN72K1J-332JE	1	435033324R1	NSP
R3484	CHIP TYPE CARBON RESISTOR	RN72K1J-470JE	1	435034704R1	NSP
R3485	CHIP TYPE CARBON RESISTOR	RN72K1J-470JE	1	435034704R1	NSP
R3488	CHIP TYPE CARBON RESISTOR	RN72K1J-332JE	1	435033324R1	NSP
R3491	CHIP TYPE CARBON RESISTOR	RN72K1J-332JE	1	435033324R1	NSP
R3494	CHIP RESISTOR NETWORK	MNR04MRAPJ470	1	43464747004R2	NSP

R3494or	CHIP RESISTOR NETWORK	YCN104-470-JK	(1)	43464C47004R1	NSP
R3495	CHIP RESISTOR NETWORK	MNR04MRAPJ470	1	43464747004R2	NSP
R3495or	CHIP RESISTOR NETWORK	YCN104-470-JK	(1)	43464C47004R1	NSP
R3496	CHIP RESISTOR NETWORK	MNR04MRAPJ470	1	43464747004R2	NSP
R3496or	CHIP RESISTOR NETWORK	YCN104-470-JK	(1)	43464C47004R1	NSP
R3497	CHIP RESISTOR NETWORK	MNR04MRAPJ470	1	43464747004R2	NSP
R3497or	CHIP RESISTOR NETWORK	YCN104-470-JK	(1)	43464C47004R1	NSP
R3500	CHIP TYPE CARBON RESISTOR	RN72K1J-470JE	1	435034704R1	NSP
R3501	CHIP TYPE CARBON RESISTOR	RN72K1J-470JE	1	435034704R1	NSP
R3502	CHIP TYPE CARBON RESISTOR	RN72K1J-470JE	1	435034704R1	NSP
R3503	CHIP TYPE CARBON RESISTOR	RN72K1J-470JE	1	435034704R1	NSP
R3504	CHIP TYPE CARBON RESISTOR	RN72K1J-470JE	1	435034704R1	NSP
R3505	CHIP TYPE CARBON RESISTOR	RN72K1J-470JE	1	435034704R1	NSP
R3601	CHIP TYPE CARBON RESISTOR	RN72K1J-103JE	1	435031034R1	NSP
R3603	CHIP TYPE CARBON RESISTOR	RN72K1J-103JE	1	435031034R1	NSP
R3604	CHIP TYPE CARBON RESISTOR	RN72K1J-103JE	1	435031034R1	NSP
R3605	CHIP TYPE CARBON RESISTOR	RN72K1J-102JE	1	435031024R1	NSP
R3652	CHIP TYPE CARBON RESISTOR	RN72K1J-220JE	1	435032204R1	NSP
R3653	CHIP TYPE CARBON RESISTOR	RN72K1J-102JE	1	435031024R1	NSP
R3654	CHIP TYPE CARBON RESISTOR	RN72K1J-102JE	1	435031024R1	NSP
R3657	CHIP TYPE CARBON RESISTOR	RN72K1J-220JE	1	435032204R1	NSP
R3658	CHIP TYPE CARBON RESISTOR	RN72K1J-391FE	1	435033912R1	NSP
R3659	CHIP TYPE CARBON RESISTOR	RN72K1J-222FE	1	435032222R1	NSP
R3660	CHIP TYPE CARBON RESISTOR	RN72K1J-392FE	1	435033922R1	NSP
R3661	CHIP TYPE CARBON RESISTOR	RN72K1J-220JE	1	435032204R1	NSP
R3662	CHIP TYPE CARBON RESISTOR	RN72K1J-220JE	1	435032204R1	NSP
R3663	CHIP TYPE CARBON RESISTOR	RN72K1J-472JE	1	435034724R1	NSP
R3664	CHIP TYPE CARBON RESISTOR	RN72K1J-220JE	1	435032204R1	NSP
R3666	CHIP TYPE CARBON RESISTOR	RN72K1J-220JE	1	435032204R1	NSP
R3667	CHIP TYPE CARBON RESISTOR	RN72K1J-470JE	1	435034704R1	NSP
R3668	CHIP TYPE CARBON RESISTOR	RN72K1J-472JE	1	435034724R1	NSP
R3669	CHIP TYPE CARBON RESISTOR	RN72K1J-472JE	1	435034724R1	NSP
R3670	CHIP TYPE CARBON RESISTOR	RN72K1J-472JE	1	435034724R1	NSP
R3671	CHIP TYPE CARBON RESISTOR	RN72K1J-472JE	1	435034724R1	NSP
R3674	CHIP TYPE CARBON RESISTOR	RN72K1J-224JE	1	435032244R1	NSP
R3675	CHIP TYPE CARBON RESISTOR	RN72K1J-102JE	1	435031024R1	NSP
R3676	CHIP TYPE CARBON RESISTOR	RN72K1J-561JE	1	435035614R1	NSP
R3678	CHIP TYPE CARBON RESISTOR	RN72K1J-472JE	1	435034724R1	NSP
R3679	CHIP TYPE CARBON RESISTOR	RN72K1J-472JE	1	435034724R1	NSP
R3692	CHIP TYPE CARBON RESISTOR	RN72K1J-470JE	1	435034704R1	NSP
R3693	CHIP TYPE CARBON RESISTOR	RN72K1J-470JE	1	435034704R1	NSP
R3694	CHIP TYPE CARBON RESISTOR	RN72K1J-470JE	1	435034704R1	NSP
R3695	CHIP TYPE CARBON RESISTOR	RN72K1J-470JE	1	435034704R1	NSP
R3696	CHIP TYPE CARBON RESISTOR	RN72K1J-470JE	1	435034704R1	NSP
R3697	CHIP TYPE CARBON RESISTOR	RN72K1J-470JE	1	435034704R1	NSP
R3699	CHIP TYPE CARBON RESISTOR	RN72K1J-470JE	1	435034704R1	NSP
R3700	CHIP TYPE CARBON RESISTOR	RN72K1J-470JE	1	435034704R1	NSP
R3701	CHIP TYPE CARBON RESISTOR	RN72K1J-470JE	1	435034704R1	NSP
R3702	CHIP TYPE CARBON RESISTOR	RN72K1J-470JE	1	435034704R1	NSP
R3703	CHIP TYPE CARBON RESISTOR	RN72K1J-470JE	1	435034704R1	NSP
R3709	CHIP TYPE CARBON RESISTOR	RN72K1J-220JE	1	435032204R1	NSP
R3710	CHIP TYPE CARBON RESISTOR	RN72K1J-220JE	1	435032204R1	NSP
R3711	CHIP TYPE CARBON RESISTOR	RN72K1J-220JE	1	435032204R1	NSP
R3712	CHIP TYPE CARBON RESISTOR	RN72K1J-103JE	1	435031034R1	NSP
R3713	CHIP TYPE CARBON RESISTOR	RN72K1J-220JE	1	435032204R1	NSP

R3715	CHIP TYPE CARBON RESISTOR	RN72K1J-472JE	1	435034724R1	NSP
R3724	CHIP TYPE CARBON RESISTOR	RN72K1J-000JE	1	435030004R1	NSP
R3728	CHIP TYPE CARBON RESISTOR	RN72K1J-103JE	1	435031034R1	NSP
R3729	CHIP TYPE CARBON RESISTOR	RN72K1J-470JE	1	435034704R1	NSP
R3731	CHIP TYPE CARBON RESISTOR	RN72K1J-220JE	1	435032204R1	NSP
R3732	CHIP TYPE CARBON RESISTOR	RN72K1J-103JE	1	435031034R1	NSP
R3733	CHIP TYPE CARBON RESISTOR	RN72K1J-103JE	1	435031034R1	NSP
R3734	CHIP TYPE CARBON RESISTOR	RN72K1J-103JE	1	435031034R1	NSP
R3735	CHIP TYPE CARBON RESISTOR	RN72K1J-103JE	1	435031034R1	NSP
R3737	CHIP TYPE CARBON RESISTOR	RN72K1J-220JE	1	435032204R1	NSP
R3739	CHIP TYPE CARBON RESISTOR	RN72K1J-220JE	1	435032204R1	NSP
R3741	CHIP TYPE CARBON RESISTOR	RN72K1J-220JE	1	435032204R1	NSP
R3743	CHIP TYPE CARBON RESISTOR	RN72K1J-220JE	1	435032204R1	NSP
R3744	CHIP TYPE CARBON RESISTOR	RN72K1J-220JE	1	435032204R1	NSP
R3745	CHIP TYPE CARBON RESISTOR	RN72K1J-220JE	1	435032204R1	NSP
R3746	CHIP TYPE CARBON RESISTOR	RN72K1J-220JE	1	435032204R1	NSP
R3747	CHIP TYPE CARBON RESISTOR	RN72K1J-220JE	1	435032204R1	NSP
R3748	CHIP TYPE CARBON RESISTOR	RN72K1J-220JE	1	435032204R1	NSP
R3749	CHIP TYPE CARBON RESISTOR	RN72K1J-220JE	1	435032204R1	NSP
R3750	CHIP TYPE CARBON RESISTOR	RN72K1J-220JE	1	435032204R1	NSP
R3751	CHIP TYPE CARBON RESISTOR	RN72K1J-220JE	1	435032204R1	NSP
R3752	CHIP TYPE CARBON RESISTOR	RN72K1J-220JE	1	435032204R1	NSP
R3753	CHIP TYPE CARBON RESISTOR	RN72K1J-103JE	1	435031034R1	NSP
R3754	CHIP TYPE CARBON RESISTOR	RN72K1J-103JE	1	435031034R1	NSP
R3756	CHIP TYPE CARBON RESISTOR	RN72K1J-102JE	1	435031024R1	NSP
R3758	CHIP TYPE CARBON RESISTOR	RN72K1J-000JE	1	435030004R1	NSP
R3902	CHIP TYPE CARBON RESISTOR	RN72K1J-103JE	1	435031034R1	NSP
R3903	CHIP TYPE CARBON RESISTOR	RN72K1J-103JE	1	435031034R1	NSP
R3904	CHIP TYPE CARBON RESISTOR	RN72K1J-122JE	1	435031224R1	NSP
R3905	CHIP TYPE CARBON RESISTOR	RN72K1J-122JE	1	435031224R1	NSP
R3906	CHIP TYPE CARBON RESISTOR	RN72K1J-103JE	1	435031034R1	NSP
R3908	CHIP TYPE CARBON RESISTOR	RN72K1J-103JE	1	435031034R1	NSP
R3911	CHIP TYPE CARBON RESISTOR	RN72K1J-000JE	1	435030004R1	NSP
R3920	CHIP TYPE CARBON RESISTOR	RN72K1J-470JE	1	435034704R1	NSP
R7000	CHIP TYPE CARBON RESISTOR	RN72K1J-472JE	1	435034724R1	NSP
R7001	CHIP RESISTOR NETWORK	MNR04MRAPJ470	1	43464747004R2	NSP
R7001or	CHIP RESISTOR NETWORK	YCN104-470-JK	(1)	43464C47004R1	NSP
R7002	CHIP TYPE CARBON RESISTOR	RN72K1J-103JE	1	435031034R1	NSP
R7003	CHIP TYPE CARBON RESISTOR	RN72K1J-103JE	1	435031034R1	NSP
R7004	CHIP TYPE CARBON RESISTOR	RN72K1J-472JE	1	435034724R1	NSP
R7005	CHIP TYPE CARBON RESISTOR	RN72K1J-223JE	1	435032234R1	NSP
R7006	CHIP TYPE CARBON RESISTOR	RN72K1J-223JE	1	435032234R1	NSP
R7007	CHIP TYPE CARBON RESISTOR	RN72K1J-105JE	1	435031054R1	NSP
R7008	CHIP TYPE CARBON RESISTOR	RN72K1J-473JE	1	435034734R1	NSP
R7009	CHIP TYPE CARBON RESISTOR	RN72K1J-105JE	1	435031054R1	NSP
R7010	CHIP TYPE CARBON RESISTOR	RN72K1J-330JE	1	435033304R1	NSP
R7011	CHIP TYPE CARBON RESISTOR	RN72K1J-103JE	1	435031034R1	NSP
R7012	CHIP TYPE CARBON RESISTOR	RN72K1J-103JE	1	435031034R1	NSP
R7013	CHIP TYPE CARBON RESISTOR	RN72K1J-103JE	1	435031034R1	NSP
R7014	CHIP TYPE CARBON RESISTOR	RN72K1J-473JE	1	435034734R1	NSP
R7015	CHIP TYPE CARBON RESISTOR	RN72K1J-473JE	1	435034734R1	NSP
R7016	CHIP TYPE CARBON RESISTOR	RN72K1J-473JE	1	435034734R1	NSP
R7017	CHIP RESISTOR NETWORK	MNR04MRAPJ472	1	43464747204R2	NSP
R7017or	CHIP RESISTOR NETWORK	YCN104-472-JK	(1)	43464C47204R1	NSP
R7018	CHIP TYPE CARBON RESISTOR	RN72K1J-221JE	1	435032214R1	NSP

R7019	CHIP RESISTOR NETWORK	MNR04MRAPJ221	1	43464722104R2	NSP
R7019or	CHIP RESISTOR NETWORK	YCN104-221-JK	(1)	43464C22104R1	NSP
R7020	CHIP TYPE CARBON RESISTOR	RN72K1J-221JE	1	435032214R1	NSP
R7021	CHIP RESISTOR NETWORK	MNR04MRAPJ221	1	43464722104R2	NSP
R7021or	CHIP RESISTOR NETWORK	YCN104-221-JK	(1)	43464C22104R1	NSP
R7022	CHIP TYPE CARBON RESISTOR	RN72K1J-470JE	1	435034704R1	NSP
R7023	CHIP TYPE CARBON RESISTOR	RN72K1J-224JE	1	435032244R1	NSP
R7024	CHIP TYPE CARBON RESISTOR	RN72K1J-470JE	1	435034704R1	NSP
R7025	CHIP TYPE CARBON RESISTOR	RN72K1J-224JE	1	435032244R1	NSP
R7026	CHIP TYPE CARBON RESISTOR	RN72K1J-224JE	1	435032244R1	NSP
R7027	CHIP TYPE CARBON RESISTOR	RN72K1J-470JE	1	435034704R1	NSP
R7028	CHIP TYPE CARBON RESISTOR	RN72K1J-470JE	1	435034704R1	NSP
R7029	CHIP TYPE CARBON RESISTOR	RN72K1J-102JE	1	435031024R1	NSP
R7030	CHIP TYPE CARBON RESISTOR	RN72K1J-221JE	1	435032214R1	NSP
R7031	CHIP RESISTOR NETWORK	MNR04MRAPJ221	1	43464722104R2	NSP
R7031or	CHIP RESISTOR NETWORK	YCN104-221-JK	(1)	43464C22104R1	NSP
R7032	CHIP TYPE CARBON RESISTOR	RN72K1J-470JE	1	435034704R1	NSP
R7033	CHIP RESISTOR NETWORK	MNR04MRAPJ470	1	43464747004R2	NSP
R7033or	CHIP RESISTOR NETWORK	YCN104-470-JK	(1)	43464C47004R1	NSP
R7034	CHIP RESISTOR NETWORK	MNR04MRAPJ221	1	43464722104R2	NSP
R7034or	CHIP RESISTOR NETWORK	YCN104-221-JK	(1)	43464C22104R1	NSP
R7035	CHIP TYPE CARBON RESISTOR	RN72K1J-470JE	1	435034704R1	NSP
R7036	CHIP TYPE CARBON RESISTOR	RN72K1J-102JE	1	435031024R1	NSP
R7037	CHIP TYPE CARBON RESISTOR	RN72K1J-102JE	1	435031024R1	NSP
R7038	CHIP TYPE CARBON RESISTOR	RN72K1J-102JE	1	435031024R1	NSP
R7039	CHIP TYPE CARBON RESISTOR	RN72K1J-222JE	1	435032224R1	NSP
R7040	CHIP TYPE CARBON RESISTOR	RN72K1J-222JE	1	435032224R1	NSP
R7041	CHIP TYPE CARBON RESISTOR	RN72K1J-222JE	1	435032224R1	NSP
R7042	CHIP RESISTOR NETWORK	MNR04MRAPJ221	1	43464722104R2	NSP
R7042or	CHIP RESISTOR NETWORK	YCN104-221-JK	(1)	43464C22104R1	NSP
R7044	CHIP TYPE CARBON RESISTOR	RN72K1J-470JE	1	435034704R1	NSP
R7046	CHIP TYPE CARBON RESISTOR	RN72K1J-221JE	1	435032214R1	NSP
R7048	CHIP TYPE CARBON RESISTOR	RN72K1J-221JE	1	435032214R1	NSP
R7049	CHIP TYPE CARBON RESISTOR	RN72K1J-470JE	1	435034704R1	NSP
R7050	CHIP TYPE CARBON RESISTOR	RN72K1J-103JE	1	435031034R1	NSP
R7051	CHIP TYPE CARBON RESISTOR	RN72K1J-105JE	1	435031054R1	NSP
R7052	CHIP TYPE CARBON RESISTOR	RN72K1J-223JE	1	435032234R1	NSP
R7054	CHIP TYPE CARBON RESISTOR	RN72K1J-102JE	1	435031024R1	NSP
R7055	CHIP TYPE CARBON RESISTOR	RN72K1J-102JE	1	435031024R1	NSP
R7059	CHIP TYPE CARBON RESISTOR	RN72K1J-224JE	1	435032244R1	NSP
R7060	CHIP TYPE CARBON RESISTOR	RN72K1J-473JE	1	435034734R1	NSP
R7061	CHIP RESISTOR NETWORK	MNR04MRAPJ221	1	43464722104R2	NSP
R7061or	CHIP RESISTOR NETWORK	YCN104-221-JK	(1)	43464C22104R1	NSP
R7063	CHIP TYPE CARBON RESISTOR	RN72K1J-330JE	1	435033304R1	NSP
R7065	CHIP TYPE CARBON RESISTOR	RN72K1J-473JE	1	435034734R1	NSP
R7066	CHIP TYPE CARBON RESISTOR	RN72K1J-470JE	1	435034704R1	NSP
R7067	CHIP TYPE CARBON RESISTOR	RN72K1J-000JE	1	435030004R1	NSP
R7068	CHIP TYPE CARBON RESISTOR	RN72K1J-000JE	1	435030004R1	NSP
R7069	CHIP RESISTOR NETWORK	MNR04MRAPJ470	1	43464747004R2	NSP
R7069or	CHIP RESISTOR NETWORK	YCN104-470-JK	(1)	43464C47004R1	NSP
R7070	CHIP RESISTOR NETWORK	MNR04MRAPJ221	1	43464722104R2	NSP
R7070or	CHIP RESISTOR NETWORK	YCN104-221-JK	(1)	43464C22104R1	NSP
R7071	CHIP TYPE CARBON RESISTOR	RN72K1J-103JE	1	435031034R1	NSP
R7072	CHIP TYPE CARBON RESISTOR	RN72K1J-470JE	1	435034704R1	NSP
R7073	CHIP TYPE CARBON RESISTOR	RN72K1J-102JE	1	435031024R1	NSP

R7074	CHIP TYPE CARBON RESISTOR	RN72K1J-470JE	1	435034704R1	NSP
R7075	CHIP RESISTOR NETWORK	MNR04MRAPJ470	1	43464747004R2	NSP
R7075or	CHIP RESISTOR NETWORK	YCN104-470-JK	(1)	43464C47004R1	NSP
R7076	CHIP TYPE CARBON RESISTOR	RN72K1J-221JE	1	435032214R1	NSP
R7077	CHIP TYPE CARBON RESISTOR	RN72K1J-103JE	1	435031034R1	NSP
R7078	CHIP TYPE CARBON RESISTOR	RN72K1J-103JE	1	435031034R1	NSP
R7079	CHIP RESISTOR NETWORK	MNR04MRAPJ221	1	43464722104R2	NSP
R7079or	CHIP RESISTOR NETWORK	YCN104-221-JK	(1)	43464C22104R1	NSP
R7080	CHIP TYPE CARBON RESISTOR	RN72K1J-103JE	1	435031034R1	NSP
R7081	CHIP RESISTOR NETWORK	MNR04MRAPJ221	1	43464722104R2	NSP
R7081or	CHIP RESISTOR NETWORK	YCN104-221-JK	(1)	43464C22104R1	NSP
R7082	CHIP TYPE CARBON RESISTOR	RN72K1J-104JE	1	435031044R1	NSP
R7083	CHIP TYPE CARBON RESISTOR	RN72K1J-332JE	1	435033324R1	NSP
R7084	CHIP TYPE CARBON RESISTOR	RN72K1J-331JE	1	435033314R1	NSP
R7086	CHIP TYPE CARBON RESISTOR	RN72K1J-330JE	1	435033304R1	NSP
R7087	CHIP TYPE CARBON RESISTOR	RN72K1J-273JE	1	435032734R1	NSP
R7088	CHIP TYPE CARBON RESISTOR	RN72K1J-330JE	1	435033304R1	NSP
R7089	CHIP TYPE CARBON RESISTOR	RN72K1J-330JE	1	435033304R1	NSP
R7090	CHIP TYPE CARBON RESISTOR	RN72K1J-330JE	1	435033304R1	NSP
R7091	CHIP TYPE CARBON RESISTOR	RN72K1J-221JE	1	435032214R1	NSP
R7092	CHIP TYPE CARBON RESISTOR	RN72K1J-470JE	1	435034704R1	NSP
R7093	CHIP TYPE CARBON RESISTOR	RN72K1J-472JE	1	435034724R1	NSP
R7094	CHIP TYPE CARBON RESISTOR	RN72K1J-472JE	1	435034724R1	NSP
R7095	CHIP RESISTOR NETWORK	MNR04MRAPJ221	1	43464722104R2	NSP
R7095or	CHIP RESISTOR NETWORK	YCN104-221-JK	(1)	43464C22104R1	NSP
R7097	CHIP TYPE CARBON RESISTOR	RN72K1J-470JE	1	435034704R1	NSP
R7098	CHIP RESISTOR NETWORK	MNR04MRAPJ221	1	43464722104R2	NSP
R7098or	CHIP RESISTOR NETWORK	YCN104-221-JK	(1)	43464C22104R1	NSP
R7099	CHIP RESISTOR NETWORK	MNR04MRAPJ470	1	43464747004R2	NSP
R7099or	CHIP RESISTOR NETWORK	YCN104-470-JK	(1)	43464C47004R1	NSP
R7100	CHIP TYPE CARBON RESISTOR	RN72K1J-104JE	1	435031044R1	NSP
R7101	CHIP TYPE CARBON RESISTOR	RN72K1J-221JE	1	435032214R1	NSP
R7103	CHIP TYPE CARBON RESISTOR	RN72K1J-221JE	1	435032214R1	NSP
R7104	CHIP TYPE CARBON RESISTOR	RN72K1J-470JE	1	435034704R1	NSP
R7105	CHIP RESISTOR NETWORK	MNR04MRAPJ470	1	43464747004R2	NSP
R7105or	CHIP RESISTOR NETWORK	YCN104-470-JK	(1)	43464C47004R1	NSP
R7106	CHIP TYPE CARBON RESISTOR	RN72K1J-473JE	1	435034734R1	NSP
R7108	CHIP RESISTOR NETWORK	MNR04MRAPJ103	1	43464710304R2	NSP
R7108or	CHIP RESISTOR NETWORK	YCN104-103-JK	(1)	43464C10304R1	NSP
R7110	CHIP TYPE CARBON RESISTOR	RN72K1J-103JE	1	435031034R1	NSP
R7113	CHIP TYPE CARBON RESISTOR	RN72K1J-470JE	1	435034704R1	NSP
R7121	CHIP TYPE CARBON RESISTOR	RN72K1J-105JE	1	435031054R1	NSP
R7122	CHIP TYPE CARBON RESISTOR	RN72K1J-105JE	1	435031054R1	NSP
R7123	CHIP RESISTOR NETWORK	MNR04MRAPJ221	1	43464722104R2	NSP
R7123or	CHIP RESISTOR NETWORK	YCN104-221-JK	(1)	43464C22104R1	NSP
R7124	CHIP TYPE CARBON RESISTOR	RN72K1J-000JE	1	435030004R1	NSP
R7125	CHIP TYPE CARBON RESISTOR	RN72K1J-473JE	1	435034734R1	NSP
R7128	CHIP TYPE CARBON RESISTOR	RN72K1J-000JE	1	435030004R1	NSP
R7132	CHIP TYPE CARBON RESISTOR	RN72K1J-331JE	1	435033314R1	NSP
R7133	CHIP TYPE CARBON RESISTOR	RN72K1J-221JE	1	435032214R1	NSP
R7134	CHIP TYPE CARBON RESISTOR	RN72K1J-221JE	1	435032214R1	NSP
R7135	CHIP TYPE CARBON RESISTOR	RN72K1J-103JE	1	435031034R1	NSP
R7136	CHIP TYPE CARBON RESISTOR	RN72K1J-470JE	1	435034704R1	NSP
R7137	CHIP TYPE CARBON RESISTOR	RN72K1J-221JE	1	435032214R1	NSP
R7138	CHIP TYPE CARBON RESISTOR	RN72K1J-470JE	1	435034704R1	NSP

R7140	CHIP TYPE CARBON RESISTOR	RN72K1J-103JE	1	435031034R1	NSP
R7141	CHIP TYPE CARBON RESISTOR	RN72K1J-103JE	1	435031034R1	NSP
R7142	CHIP TYPE CARBON RESISTOR	RN72K1J-470JE	1	435034704R1	NSP
R7148	CHIP TYPE CARBON RESISTOR	RN72K1J-000JE	1	435030004R1	NSP
R7161	CHIP TYPE CARBON RESISTOR	RN72K1J-103JE	1	435031034R1	NSP
R7171	CHIP TYPE CARBON RESISTOR	RN72K1J-473JE	1	435034734R1	NSP
R7180	CHIP TYPE CARBON RESISTOR	RN72K1J-272JE	1	435032724R1	NSP
R7181	CHIP TYPE CARBON RESISTOR	RN72K1J-272JE	1	435032724R1	NSP
R7182	CHIP TYPE CARBON RESISTOR	RN72K1J-272JE	1	435032724R1	NSP
R7183	CHIP TYPE CARBON RESISTOR	RN72K1J-272JE	1	435032724R1	NSP
R7184	CHIP TYPE CARBON RESISTOR	RN72K1J-103JE	1	435031034R1	NSP
R7186	CHIP TYPE CARBON RESISTOR	RN72K1J-104JE	1	435031044R1	NSP
R7187	CHIP TYPE CARBON RESISTOR	RN72K1J-104JE	1	435031044R1	NSP
R7188	CHIP TYPE CARBON RESISTOR	RN72K1J-104JE	1	435031044R1	NSP
R7193	CHIP TYPE CARBON RESISTOR	RN72K1J-470JE	1	435034704R1	NSP
R8011	CHIP TYPE CARBON RESISTOR	RN72K1J-473JE	1	435034734R1	NSP
R8012	CHIP TYPE CARBON RESISTOR	RN72K1J-473JE	1	435034734R1	NSP
R8013	CHIP TYPE CARBON RESISTOR	RN72K1J-473JE	1	435034734R1	NSP
R8021	CHIP TYPE CARBON RESISTOR	RN72K1J-182JE	1	435031824R1	NSP
R8022	CHIP TYPE CARBON RESISTOR	RN72K1J-182JE	1	435031824R1	NSP
R8023	CHIP TYPE CARBON RESISTOR	RN72K1J-100JE	1	435031004R1	NSP
R8024	CHIP TYPE CARBON RESISTOR	RN72K1J-473JE	1	435034734R1	NSP
R8025	CHIP TYPE CARBON RESISTOR	RN72K1J-560JE	1	435035604R1	NSP
R8026	CHIP TYPE CARBON RESISTOR	RN72K1J-560JE	1	435035604R1	NSP
R8030	CHIP TYPE CARBON RESISTOR	RN72K1J-473JE	1	435034734R1	NSP
R8037	CHIP TYPE CARBON RESISTOR	RN72K1J-102JE	1	435031024R1	NSP
R8038	CHIP TYPE CARBON RESISTOR	RN72K1J-102JE	1	435031024R1	NSP
R8204	CHIP TYPE CARBON RESISTOR	RN72K1J-330JE	1	435033304R1	NSP
R8208	CHIP TYPE CARBON RESISTOR	RN72K1J-561JE	1	435035614R1	NSP
R8209	CHIP TYPE CARBON RESISTOR	RN72K1J-472JE	1	435034724R1	NSP
R8215	CHIP TYPE CARBON RESISTOR	RN72K1J-561JE	1	435035614R1	NSP
R8218	CHIP TYPE CARBON RESISTOR	RN72K1J-561JE	1	435035614R1	NSP
R8220	CHIP TYPE CARBON RESISTOR	RN72K1J-471JE	1	435034714R1	NSP
R8221	CHIP TYPE CARBON RESISTOR	RN72K1J-471JE	1	435034714R1	NSP
R8223	CHIP TYPE CARBON RESISTOR	RN72K1J-471JE	1	435034714R1	NSP
R8233	CHIP TYPE CARBON RESISTOR	RN72K1J-000JE	1	435030004R1	NSP
R8237	CHIP TYPE CARBON RESISTOR	RN72K1J-105JE	1	435031054R1	NSP
R8238	CHIP TYPE CARBON RESISTOR	RN72K1J-331JE	1	435033314R1	NSP
R8240	CHIP TYPE CARBON RESISTOR	RN72K1J-681JE	1	435036814R1	NSP
R8243	CHIP TYPE CARBON RESISTOR	RN72K1J-681JE	1	435036814R1	NSP
R8244	CHIP TYPE CARBON RESISTOR	RN72K1J-330JE	1	435033304R1	NSP
R8300	CHIP TYPE CARBON RESISTOR	RN72K1J-222JE	1	435032224R1	NSP
R8301	CHIP TYPE CARBON RESISTOR	RN72K1J-222JE	1	435032224R1	NSP
R8302	CHIP TYPE CARBON RESISTOR	RN72K1J-473JE	1	435034734R1	NSP
R8303	CHIP RESISTOR NETWORK	MNR04MRAPJ220	1	43464722004R2	NSP
R8303or	CHIP RESISTOR NETWORK	YCN104-220-JK	(1)	43464C22004R1	NSP
R8304	CHIP RESISTOR NETWORK	MNR04MRAPJ220	1	43464722004R2	NSP
R8304or	CHIP RESISTOR NETWORK	YCN104-220-JK	(1)	43464C22004R1	NSP
R8305	CHIP TYPE CARBON RESISTOR	RN72K1J-473JE	1	435034734R1	NSP
R8306	CHIP TYPE CARBON RESISTOR	RN72K1J-473JE	1	435034734R1	NSP
R8307	CHIP TYPE CARBON RESISTOR	RN72K1J-100JE	1	435031004R1	NSP
R8308	CHIP TYPE CARBON RESISTOR	RN72K1J-100JE	1	435031004R1	NSP
R8309	CHIP TYPE CARBON RESISTOR	RN72K1J-100JE	1	435031004R1	NSP
R8310	CHIP TYPE CARBON RESISTOR	RN72K1J-100JE	1	435031004R1	NSP
R8311	CHIP TYPE CARBON RESISTOR	RN72K1J-100JE	1	435031004R1	NSP

R8312	CHIP TYPE CARBON RESISTOR	RN72K1J-100JE	1	435031004R1	NSP
R8313	CHIP TYPE CARBON RESISTOR	RN72K1J-100JE	1	435031004R1	NSP
R8314	CHIP TYPE CARBON RESISTOR	RN72K1J-100JE	1	435031004R1	NSP
R8315	CHIP TYPE CARBON RESISTOR	RN72K1J-100JE	1	435031004R1	NSP
R8316	CHIP TYPE CARBON RESISTOR	RN72K1J-100JE	1	435031004R1	NSP
R8317	CHIP TYPE CARBON RESISTOR	RN72K1J-103JE	1	435031034R1	NSP
R8318	CHIP TYPE CARBON RESISTOR	RN72K1J-103JE	1	435031034R1	NSP
R8319	CHIP TYPE CARBON RESISTOR	RN72K1J-102JE	1	435031024R1	NSP
R8320	CHIP TYPE CARBON RESISTOR	RN72K1J-103JE	1	435031034R1	NSP
R8321	CHIP TYPE CARBON RESISTOR	RN72K1J-330JE	1	435033304R1	NSP
R8322	CHIP TYPE CARBON RESISTOR	RN72K1J-330JE	1	435033304R1	NSP
R8323	CHIP TYPE CARBON RESISTOR	RN72K1J-330JE	1	435033304R1	NSP
R8324	CHIP TYPE CARBON RESISTOR	RN72K1J-330JE	1	435033304R1	NSP
R8325	CHIP TYPE CARBON RESISTOR	RN72K1J-000JE	1	435030004R1	NSP
R8326	CHIP TYPE CARBON RESISTOR	RN72K1J-102JE	1	435031024R1	NSP
R8327	CHIP TYPE CARBON RESISTOR	RN72K1J-103JE	1	435031034R1	NSP
R8328	CHIP TYPE CARBON RESISTOR	RN72K1J-272JE	1	435032724R1	NSP
R8329	CHIP TYPE CARBON RESISTOR	RN72K1J-472JE	1	435034724R1	NSP
R8330	CHIP TYPE CARBON RESISTOR	RN72K1J-100JE	1	435031004R1	NSP
R8331	CHIP TYPE CARBON RESISTOR	RN72K1J-103JE	1	435031034R1	NSP
R8332	CHIP TYPE CARBON RESISTOR	RN72K1J-472JE	1	435034724R1	NSP
R8333	CHIP TYPE CARBON RESISTOR	RN72K1J-221JE	1	435032214R1	NSP
R8334	CHIP TYPE CARBON RESISTOR	RN72K1J-105JE	1	435031054R1	NSP
R8335	CHIP TYPE CARBON RESISTOR	RN72K1J-330JE	1	435033304R1	NSP
R8336	CHIP TYPE CARBON RESISTOR	RN72K1J-330JE	1	435033304R1	NSP
R8337	CHIP TYPE CARBON RESISTOR	RN72K1J-473JE	1	435034734R1	NSP
R8338	CHIP TYPE CARBON RESISTOR	RN72K1J-330JE	1	435033304R1	NSP
R8339	CHIP TYPE CARBON RESISTOR	RN72K1J-330JE	1	435033304R1	NSP
R8340	CHIP TYPE CARBON RESISTOR	RN72K1J-100JE	1	435031004R1	NSP
R8341	CHIP TYPE CARBON RESISTOR	RN72K1J-100JE	1	435031004R1	NSP
R8342	CHIP TYPE CARBON RESISTOR	RN72K1J-100JE	1	435031004R1	NSP
R8343	CHIP TYPE CARBON RESISTOR	RN72K1J-100JE	1	435031004R1	NSP
R8344	CHIP TYPE CARBON RESISTOR	RN72K1J-102JE	1	435031024R1	NSP
R8345	CHIP TYPE CARBON RESISTOR	RN72K1J-103JE	1	435031034R1	NSP
R8346	CHIP TYPE CARBON RESISTOR	RN72K1J-102JE	1	435031024R1	NSP
R8347	CHIP TYPE CARBON RESISTOR	RN72K1J-103JE	1	435031034R1	NSP
R8348	CHIP TYPE CARBON RESISTOR	RN72K1J-472JE	1	435034724R1	NSP
R8349	CHIP TYPE CARBON RESISTOR	RN72K1J-222JE	1	435032224R1	NSP
R8350	CHIP TYPE CARBON RESISTOR	RN72K1J-222JE	1	435032224R1	NSP
R8363	CHIP RESISTOR NETWORK	MNR04MRAPJ330	1	43464733004R2	NSP
R8363or	CHIP RESISTOR NETWORK	YCN104-330-JK	(1)	43464C33004R1	NSP
R8386	CHIP TYPE CARBON RESISTOR	RN72K1J-105JE	1	435031054R1	NSP
R8400	CHIP RESISTOR NETWORK	MNR04MRAPJ103	1	43464710304R2	NSP
R8400or	CHIP RESISTOR NETWORK	YCN104-103-JK	(1)	43464C10304R1	NSP
R8401	CHIP TYPE CARBON RESISTOR	RN72K1J-103JE	1	435031034R1	NSP
R8402	CHIP RESISTOR NETWORK	MNR04MRAPJ470	1	43464747004R2	NSP
R8402or	CHIP RESISTOR NETWORK	YCN104-470-JK	(1)	43464C47004R1	NSP
R8403	CHIP TYPE CARBON RESISTOR	RN72K1J-473JE	1	435034734R1	NSP
R8404	CHIP TYPE CARBON RESISTOR	RN72K1J-103JE	1	435031034R1	NSP
R8405	CHIP TYPE CARBON RESISTOR	RN72K1J-470JE	1	435034704R1	NSP
R8406	CHIP TYPE CARBON RESISTOR	RN72K1J-101JE	1	435031014R1	NSP
R8407	CHIP TYPE CARBON RESISTOR	RN72K1J-470JE	1	435034704R1	NSP
R8408	CHIP TYPE CARBON RESISTOR	RN72K1J-470JE	1	435034704R1	NSP
R8414	CHIP TYPE CARBON RESISTOR	RN72K1J-470JE	1	435034704R1	NSP
R8415	CHIP TYPE CARBON RESISTOR	RN72K1J-470JE	1	435034704R1	NSP

R8416	CHIP TYPE CARBON RESISTOR	RN72K1J-101JE	1	435031014R1	NSP
R8417	CHIP TYPE CARBON RESISTOR	RN72K1J-105JE	1	435031054R1	NSP
R8418	CHIP TYPE CARBON RESISTOR	RN72K1J-470JE	1	435034704R1	NSP
R8419	CHIP TYPE CARBON RESISTOR	RN72K1J-470JE	1	435034704R1	NSP
R8420	CHIP TYPE CARBON RESISTOR	RN72K1J-470JE	1	435034704R1	NSP
R8421	CHIP TYPE CARBON RESISTOR	RN72K1J-103JE	1	435031034R1	NSP
R8422	CHIP TYPE CARBON RESISTOR	RN72K1J-101JE	1	435031014R1	NSP
R8423	CHIP TYPE CARBON RESISTOR	RN72K1J-332JE	1	435033324R1	NSP
R8424	CHIP TYPE CARBON RESISTOR	RN72K1J-332JE	1	435033324R1	NSP
R8425	CHIP TYPE CARBON RESISTOR	RN72K1J-470JE	1	435034704R1	NSP
R8426	CHIP TYPE CARBON RESISTOR	RN72K1J-470JE	1	435034704R1	NSP
R8427	CHIP TYPE CARBON RESISTOR	RN72K1J-100JE	1	435031004R1	NSP
R8429	CHIP TYPE CARBON RESISTOR	RN72K1J-470JE	1	435034704R1	NSP
R8430	CHIP TYPE CARBON RESISTOR	RN72K1J-470JE	1	435034704R1	NSP
R8431	CHIP TYPE CARBON RESISTOR	RN72K1J-470JE	1	435034704R1	NSP
R8432	CHIP TYPE CARBON RESISTOR	RN72K1J-470JE	1	435034704R1	NSP
R8437	CHIP TYPE CARBON RESISTOR	RN72K1J-473JE	1	435034734R1	NSP
R8438	CHIP TYPE CARBON RESISTOR	RN72K1J-220JE	1	435032204R1	NSP
R8439	CHIP TYPE CARBON RESISTOR	RN72K1J-220JE	1	435032204R1	NSP
R8440	CHIP TYPE CARBON RESISTOR	RN72K1J-220JE	1	435032204R1	NSP
R8441	CHIP TYPE CARBON RESISTOR	RN72K1J-220JE	1	435032204R1	NSP
R8442	CHIP TYPE CARBON RESISTOR	RN72K1J-220JE	1	435032204R1	NSP
R8443	CHIP TYPE CARBON RESISTOR	RN72K1J-220JE	1	435032204R1	NSP
R8444	CHIP TYPE CARBON RESISTOR	RN72K1J-101JE	1	435031014R1	NSP
R8445	CHIP TYPE CARBON RESISTOR	RN72K1J-101JE	1	435031014R1	NSP
R8446	CHIP TYPE CARBON RESISTOR	RN72K1J-472JE	1	435034724R1	NSP
R8447	CHIP TYPE CARBON RESISTOR	RN72K1J-102JE	1	435031024R1	NSP
R8448	CHIP TYPE CARBON RESISTOR	RN72K1J-103JE	1	435031034R1	NSP
R8449	CHIP TYPE CARBON RESISTOR	RN72K1J-182JE	1	435031824R1	NSP
R8450	CHIP TYPE CARBON RESISTOR	RN72K1J-182JE	1	435031824R1	NSP
R8452	CHIP TYPE CARBON RESISTOR	RN72K1J-103FE	1	435031032R1	NSP
R8453	CHIP TYPE CARBON RESISTOR	RN72K1J-223FE	1	435032232R1	NSP
R8458	CHIP TYPE CARBON RESISTOR	RN72K1J-100JE	1	435031004R1	NSP
R8459	CHIP TYPE CARBON RESISTOR	RN72K1J-560JE	1	435035604R1	NSP
R8461	CHIP TYPE CARBON RESISTOR	RN72K1J-560JE	1	435035604R1	NSP
R8462	CHIP TYPE CARBON RESISTOR	RN72K1J-473JE	1	435034734R1	NSP
R8464	CHIP RESISTOR NETWORK	MNR04MRAPJ470	1	43464747004R2	NSP
R8464or	CHIP RESISTOR NETWORK	YCN104-470-JK	(1)	43464C47004R1	NSP
R8465	CHIP RESISTOR NETWORK	MNR04MRAPJ101	1	43464710104R2	NSP
R8465or	CHIP RESISTOR NETWORK	YCN104-101-JK	(1)	43464C10104R1	NSP
R8466	CHIP RESISTOR NETWORK	MNR04MRAPJ220	1	43464722004R2	NSP
R8466or	CHIP RESISTOR NETWORK	YCN104-220-JK	(1)	43464C22004R1	NSP
R8467	CHIP RESISTOR NETWORK	MNR04MRAPJ220	1	43464722004R2	NSP
R8467or	CHIP RESISTOR NETWORK	YCN104-220-JK	(1)	43464C22004R1	NSP
R8468	CHIP RESISTOR NETWORK	MNR04MRAPJ220	1	43464722004R2	NSP
R8468or	CHIP RESISTOR NETWORK	YCN104-220-JK	(1)	43464C22004R1	NSP
R8469	CHIP RESISTOR NETWORK	MNR04MRAPJ220	1	43464722004R2	NSP
R8469or	CHIP RESISTOR NETWORK	YCN104-220-JK	(1)	43464C22004R1	NSP
R8471	CHIP TYPE CARBON RESISTOR	RN72K1J-220JE	1	435032204R1	NSP
R8472	CHIP TYPE CARBON RESISTOR	RN72K1J-220JE	1	435032204R1	NSP
R8473	CHIP TYPE CARBON RESISTOR	RN72K1J-220JE	1	435032204R1	NSP
R8474	CHIP TYPE CARBON RESISTOR	RN72K1J-220JE	1	435032204R1	NSP
R8475	CHIP TYPE CARBON RESISTOR	RN72K1J-220JE	1	435032204R1	NSP
R8477	CHIP TYPE CERAMIC CAPACITOR	CK725B1H-102K0	1	332031025R1	NSP
R8478	CHIP TYPE CERAMIC CAPACITOR	CK725B1H-102K0	1	332031025R1	NSP

R8479	CHIP TYPE CERAMIC CAPACITOR	CK725B1H-102K0	1	332031025R1	NSP
R8480	CHIP TYPE CERAMIC CAPACITOR	CK725B1H-102K0	1	332031025R1	NSP
R8603	CHIP TYPE CARBON RESISTOR	RN72K1J-473JE	1	435034734R1	NSP
R8604	CHIP TYPE CARBON RESISTOR	RN72K1J-473JE	1	435034734R1	NSP
R8605	CHIP TYPE CARBON RESISTOR	RN72K1J-100JE	1	435031004R1	NSP
R8606	CHIP TYPE CARBON RESISTOR	RN72K1J-000JE	1	435030004R1	NSP
R8613	CHIP TYPE CARBON RESISTOR	RN72K1J-473JE	1	435034734R1	NSP
R8614	CHIP TYPE CARBON RESISTOR	RN72K1J-473JE	1	435034734R1	NSP
R8615	CHIP TYPE CARBON RESISTOR	RN72K1J-100JE	1	435031004R1	NSP
R8623	CHIP TYPE CARBON RESISTOR	RN72K1J-473JE	1	435034734R1	NSP
R8624	CHIP TYPE CARBON RESISTOR	RN72K1J-473JE	1	435034734R1	NSP
R8625	CHIP TYPE CARBON RESISTOR	RN72K1J-100JE	1	435031004R1	NSP
R8633	CHIP TYPE CARBON RESISTOR	RN72K1J-473JE	1	435034734R1	NSP
R8634	CHIP TYPE CARBON RESISTOR	RN72K1J-473JE	1	435034734R1	NSP
R8635	CHIP TYPE CARBON RESISTOR	RN72K1J-100JE	1	435031004R1	NSP
R8645	CHIP TYPE CARBON RESISTOR	RN72K1J-100JE	1	435031004R1	NSP
R8663	CHIP TYPE CARBON RESISTOR	RN72K1J-473JE	1	435034734R1	NSP
R8664	CHIP TYPE CARBON RESISTOR	RN72K1J-473JE	1	435034734R1	NSP
R8665	CHIP TYPE CARBON RESISTOR	RN72K1J-100JE	1	435031004R1	NSP
R8702	CHIP RESISTOR NETWORK	MNR04MRAPJ221	1	43464722104R2	NSP
R8702or	CHIP RESISTOR NETWORK	YCN104-221-JK	(1)	43464C22104R1	NSP
R8703	CHIP TYPE CARBON RESISTOR	RN72K1J-103JE	1	435031034R1	NSP
R8704	CHIP RESISTOR NETWORK	MNR04MRAPJ103	1	43464710304R2	NSP
R8704or	CHIP RESISTOR NETWORK	YCN104-103-JK	(1)	43464C10304R1	NSP
R8705	CHIP TYPE CARBON RESISTOR	RN72K1J-473JE	1	435034734R1	NSP
R8707	CHIP RESISTOR NETWORK	MNR04MRAPJ103	1	43464710304R2	NSP
R8707or	CHIP RESISTOR NETWORK	YCN104-103-JK	(1)	43464C10304R1	NSP
R8709	CHIP TYPE CARBON RESISTOR	RN72K1J-470JE	1	435034704R1	NSP
R8710	CHIP TYPE CARBON RESISTOR	RN72K1J-102JE	1	435031024R1	NSP
R8711	CHIP TYPE CARBON RESISTOR	RN72K1J-103JE	1	435031034R1	NSP
R8712	CHIP TYPE CARBON RESISTOR	RN72K1J-470JE	1	435034704R1	NSP
R8713	CHIP TYPE CARBON RESISTOR	RN72K1J-101JE	1	435031014R1	NSP
R8718	CHIP TYPE CARBON RESISTOR	RN72K1J-222JE	1	435032224R1	NSP
R8719	CHIP TYPE CARBON RESISTOR	RN72K1J-222JE	1	435032224R1	NSP
R8720	CHIP TYPE CARBON RESISTOR	RN72K1J-103JE	1	435031034R1	NSP
R8721	CHIP RESISTOR NETWORK	MNR04MRAPJ470	1	43464747004R2	NSP
R8721or	CHIP RESISTOR NETWORK	YCN104-470-JK	(1)	43464C47004R1	NSP
R8723	CHIP TYPE CARBON RESISTOR	RN72K1J-472JE	1	435034724R1	NSP
R8725	CHIP TYPE CARBON RESISTOR	RN72K1J-470JE	1	435034704R1	NSP
R8726	CHIP TYPE CARBON RESISTOR	RN72K1J-103JE	1	435031034R1	NSP
R8727	CHIP TYPE CARBON RESISTOR	RN72K1J-221JE	1	435032214R1	NSP
R8728	CHIP TYPE CARBON RESISTOR	RN72K1J-103JE	1	435031034R1	NSP
R8729	CHIP TYPE CARBON RESISTOR	RN72K1J-221JE	1	435032214R1	NSP
R8730	CHIP TYPE CARBON RESISTOR	RN72K1J-470JE	1	435034704R1	NSP
R8731	CHIP RESISTOR NETWORK	MNR04MRAPJ103	1	43464710304R2	NSP
R8731or	CHIP RESISTOR NETWORK	YCN104-103-JK	(1)	43464C10304R1	NSP
R8732	CHIP TYPE CARBON RESISTOR	RN72K1J-221JE	1	435032214R1	NSP
R8733	CHIP TYPE CARBON RESISTOR	RN72K1J-105JE	1	435031054R1	NSP
R8734	CHIP TYPE CARBON RESISTOR	RN72K1J-470JE	1	435034704R1	NSP
R8736	CHIP TYPE CARBON RESISTOR	RN72K1J-102JE	1	435031024R1	NSP
R8737	CHIP TYPE CARBON RESISTOR	RN72K1J-472JE	1	435034724R1	NSP
R8738	CHIP TYPE CARBON RESISTOR	RN72K1J-103JE	1	435031034R1	NSP
R8739	CHIP TYPE CARBON RESISTOR	RN72K1J-102JE	1	435031024R1	NSP
R8740	CHIP TYPE CARBON RESISTOR	RN72K1J-103JE	1	435031034R1	NSP
R8741	CHIP TYPE CARBON RESISTOR	RN72K1J-102JE	1	435031024R1	NSP

R8742	CHIP TYPE CARBON RESISTOR	RN72K1J-103JE	1	435031034R1	NSP
R8743	CHIP TYPE CARBON RESISTOR	RN72K1J-103JE	1	435031034R1	NSP
R8744	CHIP TYPE CARBON RESISTOR	RN72K1J-470JE	1	435034704R1	NSP
R8745	CHIP TYPE CARBON RESISTOR	RN72K1J-103JE	1	435031034R1	NSP
R8746	CHIP TYPE CARBON RESISTOR	RN72K1J-470JE	1	435034704R1	NSP
R8750	CHIP TYPE CARBON RESISTOR	RN72K1J-470JE	1	435034704R1	NSP
R8752	CHIP RESISTOR NETWORK	MNR04MRAPJ470	1	43464747004R2	NSP
R8752or	CHIP RESISTOR NETWORK	YCN104-470-JK	(1)	43464C47004R1	NSP
R8753	CHIP RESISTOR NETWORK	MNR04MRAPJ470	1	43464747004R2	NSP
R8753or	CHIP RESISTOR NETWORK	YCN104-470-JK	(1)	43464C47004R1	NSP
R8755	CHIP TYPE CARBON RESISTOR	RN72K1J-103JE	1	435031034R1	NSP
R8756	CHIP TYPE CARBON RESISTOR	RN72K1J-103JE	1	435031034R1	NSP
R8757	CHIP RESISTOR NETWORK	MNR04MRAPJ101	1	43464710104R2	NSP
R8757or	CHIP RESISTOR NETWORK	YCN104-101-JK	(1)	43464C10104R1	NSP
R8758	CHIP TYPE CARBON RESISTOR	RN72K1J-103JE	1	435031034R1	NSP
R8790	CHIP TYPE CARBON RESISTOR	RN72K1J-220JE	1	435032204R1	NSP
R8791	CHIP TYPE CARBON RESISTOR	RN72K1J-220JE	1	435032204R1	NSP
R8900	CHIP TYPE CARBON RESISTOR	RN72K1J-472JE	1	435034724R1	NSP
R8901	CHIP TYPE CARBON RESISTOR	RN72K1J-102JE	1	435031024R1	NSP
R8904	CHIP TYPE CARBON RESISTOR	RN72K1J-102JE	1	435031024R1	NSP
R8922	CHIP TYPE CARBON RESISTOR	RN72K1J-473JE	1	435034734R1	NSP
R8923	CHIP TYPE CARBON RESISTOR	RN72K1J-332JE	1	435033324R1	NSP
R8924	CHIP TYPE CARBON RESISTOR	RN72K1J-682FE	1	435036822R1	NSP
R8925	CHIP TYPE CARBON RESISTOR	RN72K1J-332FE	1	435033322R1	NSP
R8926	CHIP TYPE CARBON RESISTOR	RN72K1J-103FE	1	435031032R1	NSP
R8932	CHIP TYPE CARBON RESISTOR	RN72K1J-473JE	1	435034734R1	NSP
R8933	CHIP TYPE CARBON RESISTOR	RN72K1J-332JE	1	435033324R1	NSP
R8934	CHIP TYPE CARBON RESISTOR	RN72K1J-272FE	1	435032722R1	NSP
R8935	CHIP TYPE CARBON RESISTOR	RN72K1J-222FE	1	435032222R1	NSP
R8936	CHIP TYPE CARBON RESISTOR	RN72K1J-103FE	1	435031032R1	NSP
R8939	CHIP TYPE CARBON RESISTOR	RN72K1J-102JE	1	435031024R1	NSP
R8949	CHIP TYPE CARBON RESISTOR	RN72K1J-104JE	1	435031044R1	NSP
R8952	CHIP TYPE CARBON RESISTOR	RN72K1J-473JE	1	435034734R1	NSP
R8953	CHIP TYPE CARBON RESISTOR	RN72K1J-682JE	1	435036824R1	NSP
R8954	CHIP TYPE CARBON RESISTOR	RN72K1J-333FE	1	435033332R1	NSP
R8955	CHIP TYPE CARBON RESISTOR	RN72K1J-124FE	1	435031242R1	NSP
R8956	CHIP TYPE CARBON RESISTOR	RN72K1J-103FE	1	435031032R1	NSP
R8958	CHIP TYPE CARBON RESISTOR	RN72K1J-473JE	1	435034734R1	NSP
R8962	CHIP TYPE CARBON RESISTOR	RN72K1J-473JE	1	435034734R1	NSP
R8964	CHIP TYPE CARBON RESISTOR	RN72K1J-563FE	1	435035632R1	NSP
R8965	CHIP TYPE CARBON RESISTOR	RN72K1J-274JE	1	435032744R1	NSP
R8966	CHIP TYPE CARBON RESISTOR	RN72K1J-103FE	1	435031032R1	NSP
R8982	CHIP TYPE CARBON RESISTOR	RN72K1J-104JE	1	435031044R1	NSP
R8983	CHIP TYPE CARBON RESISTOR	RN72K1J-473JE	1	435034734R1	NSP
R8984	CHIP TYPE CARBON RESISTOR	RN72K1J-103JE	1	435031034R1	NSP
R8985	CHIP TYPE CARBON RESISTOR	RN72K1J-473JE	1	435034734R1	NSP
R8989	CHIP TYPE CARBON RESISTOR	RN72K1J-103JE	1	435031034R1	NSP
[Switches, Terminals, Wires]					
P120	PRINTED WIRING BOARD	BCPRC-2409	1	25142409	N NSP
P2800B	SOCKET	IMSA-9618S-23A	1	25053348R2	NSP
P2802B	PLUG	NPLG-5P918	1	25055965R2	NSP
P3201	SOCKET	NSCT-9P2472	1	25052575R2	NSP
P3601	SOCKET	UB113-F04S1BR-C	1	25053652R2	NSP
P3651	SOCKET	MP04B1S2AM0-07T	1	25053617R3	NSP
P3654	SOCKET	APCI0085-P012A	1	25053616R2	NSP

P3658	TERMINAL	APCI0213-K001G	1	25060548R2	NSP
P6800B	PLUG	NPLG-5P918	1	25055965R2	NSP
P7001A	SOCKET	31FMN-SMT-A-TF	1	25052848R2	NSP
P7501	SOCKET	NSCT-9P2472	1	25052575R2	NSP
P8001	SOCKET	51U019S-3HFDN-BD-SM	1	25053549R3	NSP
P8001or	SOCKET	TCX3423-311387	(1)	25060513R3	NSP
P8001or	SOCKET	HDMI(47266-4101)	(1)	25053389R3	NSP
P8002B	PLUG	IMSA-9850B-30Y	1	25056329R2	NSP
P8003B	PLUG	IMSA-9850B-30Y	1	25056329R2	NSP
P8021	SOCKET	51U019S-3HFDN-BD-SM	1	25053549R3	NSP
P8021or	SOCKET	TCX3423-311387	(1)	25060513R3	NSP
P8021or	SOCKET	HDMI(47266-4101)	(1)	25053389R3	NSP
P8500B	SOCKET	51U019S-3HFDN-BD-SM	1	25053549R3	NSP
P8500Bor	SOCKET	TCX3423-311387	(1)	25060513R3	NSP
P8500Bor	SOCKET	HDMI(47266-4101)	(1)	25053389R3	NSP
P8611	SOCKET	51U019S-3HFDN-BD-SM	1	25053549R3	NSP
P8611or	SOCKET	TCX3423-311387	(1)	25060513R3	NSP
P8611or	SOCKET	HDMI(47266-4101)	(1)	25053389R3	NSP
P8621	SOCKET	51U019S-3HFDN-BD-SM	1	25053549R3	NSP
P8621or	SOCKET	TCX3423-311387	(1)	25060513R3	NSP
P8621or	SOCKET	HDMI(47266-4101)	(1)	25053389R3	NSP
P8631	SOCKET	51U019S-3HFDN-BD-SM	1	25053549R3	NSP
P8631or	SOCKET	TCX3423-311387	(1)	25060513R3	NSP
P8631or	SOCKET	HDMI(47266-4101)	(1)	25053389R3	NSP
P8641	SOCKET	51U019S-3HFDN-BD-SM	1	25053549R3	NSP
P8641or	SOCKET	TCX3423-311387	(1)	25060513R3	NSP
P8641or	SOCKET	HDMI(47266-4101)	(1)	25053389R3	NSP
P8651	SOCKET	51U019S-3HFDN-BD-SM	1	25053549R3	NSP
P8651or	SOCKET	TCX3423-311387	(1)	25060513R3	NSP
P8651or	SOCKET	HDMI(47266-4101)	(1)	25053389R3	NSP
P8661	SOCKET	51U019S-3HFDN-BD-SM	1	25053549R3	NSP
P8661or	SOCKET	TCX3423-311387	(1)	25060513R3	NSP
P8661or	SOCKET	HDMI(47266-4101)	(1)	25053389R3	NSP

BATRM-2023-2E**<Note>**

1. Parts marked by "NSP" are generally unavailable because they are not in our Master Spare Parts List.
2. The ! mark found on some component parts indicates the importance of the safety factor of the part.
Therefore, when replacing, be sure to use parts of identical designation.

: NSP

REF. NO.	PART NAME	DESCRIPTION	Q'TY	PART NO. (SN)	REMARKS
[Semi-conductors]					
D2000	DIODE	G10XB80-02-54A-T	1	22380378	
D2000A	HEAT SINK	RAD-083	1	27160271	NSP
D2000B	SCREW	3P+10FN(3BC)	1	82143010GR	NSP
D2001	CHIP TYPE DIODE	DA2J10100	1	223303R2	NSP
D2001or	CHIP TYPE DIODE	1SS352	(1)	223234R2	NSP
D2002	CHIP TYPE DIODE	DA2J10100	1	223303R2	NSP
D2002or	CHIP TYPE DIODE	1SS352	(1)	223234R2	NSP

D2003	ZENER DIODE	DZ2J062M0L	1	224760620R2	NSP
D2003or	ZENER DIODE	UDZS6.2B	(1)	224550620R2	NSP
D2004	DIODE	RBR3MM30ATR	1	22380401R2	NSP
D2005	DIODE	RBR3MM30ATR	1	22380401R2	NSP
D6501	CHIP TYPE DIODE	DA2J10100	1	223303R2	NSP
D6501or	CHIP TYPE DIODE	1SS352	(1)	223234R2	NSP
D6503	CHIP TYPE DIODE	DA2J10100	1	223303R2	NSP
D6503or	CHIP TYPE DIODE	1SS352	(1)	223234R2	NSP
D6507	CHIP TYPE DIODE	DA2J10100	1	223303R2	NSP
D6507or	CHIP TYPE DIODE	1SS352	(1)	223234R2	NSP
D6509	CHIP TYPE DIODE	DA2J10100	1	223303R2	NSP
D6509or	CHIP TYPE DIODE	1SS352	(1)	223234R2	NSP
Q2100	HYBRID IC	74VHC4053AFT	1	22274053ER2TO	NSP
Q2101	HYBRID IC	74VHC4051AFT	1	22274051ER2TO	NSP
Q2102	TRANSISTOR	2SA1162-GR	1	2214375R2	NSP
Q2103	TRANSISTOR	2SA1162-GR	1	2214375R2	NSP
Q2104	TRANSISTOR	2SA1162-GR	1	2214375R2	NSP
Q6501	TRANSISTOR	KRC105S	1	2217290R2	NSP
Q6501or	TRANSISTOR	DTC123JCAT116	(1)	2219040R2	NSP
Q6503	TRANSISTOR	KRC105S	1	2217290R2	NSP
Q6503or	TRANSISTOR	DTC123JCAT116	(1)	2219040R2	NSP
Q6507	TRANSISTOR	KRC105S	1	2217290R2	NSP
Q6507or	TRANSISTOR	DTC123JCAT116	(1)	2219040R2	NSP
Q6509	TRANSISTOR	KRC105S	1	2217290R2	NSP
Q6509or	TRANSISTOR	DTC123JCAT116	(1)	2219040R2	NSP
[Transformers, Coils]					
L2100	CHOKE COIL	LBC2518T470M	1	231364M470R2	NSP
[Capacitors]					
C2000	FILM C	C281H334J20A21A	1	376823344T	NSP
C2001	JAMICON TYPE ELECTROLYTIC CAPACIT	CE04W50V-4.7M	1	398580477T	
C2001or	VR TYPE ELECTROLYTIC CAPACITOR	CE04W50V-4.7M(VR)	(1)	394680477T	
C2002	ELECTROLYTIC CAPACITOR	CE69W25V-10000M	1	3504512	
C2002or	ELECTROLYTIC CAPACITOR	CE69W25V-10000M	(1)	3504502	
C2100	CHIP TYPE CERAMIC CAPACITOR	CK725B1H-103K1	1	332101035R1	NSP
C2101	CHIP TYPE CERAMIC CAPACITOR	CK725B1H-103K1	1	332101035R1	NSP
C2102	JAMICON TYPE ELECTROLYTIC CAPACIT	CE04W50V-2.2M	1	398580227T	
C2102or	VR TYPE ELECTROLYTIC CAPACITOR	CE04W50V-2.2M(VR)	(1)	394680227T	
C2103	JAMICON TYPE ELECTROLYTIC CAPACIT	CE04W50V-2.2M	1	398580227T	
C2103or	VR TYPE ELECTROLYTIC CAPACITOR	CE04W50V-2.2M(VR)	(1)	394680227T	
C2104	JAMICON TYPE ELECTROLYTIC CAPACIT	CE04W50V-2.2M	1	398580227T	
C2104or	VR TYPE ELECTROLYTIC CAPACITOR	CE04W50V-2.2M(VR)	(1)	394680227T	
C2105	JAMICON TYPE ELECTROLYTIC CAPACIT	CE04W50V-2.2M	1	398580227T	
C2105or	VR TYPE ELECTROLYTIC CAPACITOR	CE04W50V-2.2M(VR)	(1)	394680227T	
C2106	JAMICON TYPE ELECTROLYTIC CAPACIT	CE04W50V-2.2M	1	398580227T	
C2106or	VR TYPE ELECTROLYTIC CAPACITOR	CE04W50V-2.2M(VR)	(1)	394680227T	
C2107	JAMICON TYPE ELECTROLYTIC CAPACIT	CE04W50V-2.2M	1	398580227T	
C2107or	VR TYPE ELECTROLYTIC CAPACITOR	CE04W50V-2.2M(VR)	(1)	394680227T	
C2108	JAMICON TYPE ELECTROLYTIC CAPACIT	CE04W50V-2.2M	1	398580227T	
C2108or	VR TYPE ELECTROLYTIC CAPACITOR	CE04W50V-2.2M(VR)	(1)	394680227T	
C2109	JAMICON TYPE ELECTROLYTIC CAPACIT	CE04W50V-2.2M	1	398580227T	
C2109or	VR TYPE ELECTROLYTIC CAPACITOR	CE04W50V-2.2M(VR)	(1)	394680227T	
C2110	CHIP TYPE CERAMIC CAPACITOR	CK725F1E-104Z1	1	332161040R1	NSP
C2111	CHIP TYPE CERAMIC CAPACITOR	CK725F1E-104Z1	1	332161040R1	NSP
C2113	CHIP TYPE CERAMIC CAPACITOR	CK725B1H-103K1	1	332101035R1	NSP
C2114	UTSP TYPE ELECTROLYTIC CAPACITOR	CE04W10V-220M(UTSP)	1	397532217AT	

C2117	CHIP TYPE CERAMIC CAPACITOR	CK725B1H-103K1	1	332101035R1	NSP
C2119	CHIP TYPE CERAMIC CAPACITOR	CK725B1H-103K1	1	332101035R1	NSP
C6501	CHIP TYPE CERAMIC CAPACITOR	CK725F1H-104Z1	1	332151040R1	NSP
C6503	CHIP TYPE CERAMIC CAPACITOR	CK725F1H-104Z1	1	332151040R1	NSP
C6505	CHIP TYPE CERAMIC CAPACITOR	CK725F1H-104Z1	1	332151040R1	NSP
C6507	CHIP TYPE CERAMIC CAPACITOR	CK725F1H-104Z1	1	332151040R1	NSP
C6509	CHIP TYPE CERAMIC CAPACITOR	CK725F1H-104Z1	1	332151040R1	NSP
C6520	UMXR TYPE PLASTIC FILM CAPACITOR	1JUMXRTF102JE	1	376591024T	NSP
C6521	UMXR TYPE PLASTIC FILM CAPACITOR	1JUMXRTF102JE	1	376591024T	NSP
C6522	UMXR TYPE PLASTIC FILM CAPACITOR	1JUMXRTF102JE	1	376591024T	NSP
C6523	UMXR TYPE PLASTIC FILM CAPACITOR	1JUMXRTF102JE	1	376591024T	NSP
C6525	UMXR TYPE PLASTIC FILM CAPACITOR	1JUMXRTF102JE	1	376591024T	NSP
C6526	UMXR TYPE PLASTIC FILM CAPACITOR	1JUMXRTF102JE	1	376591024T	NSP
C6527	UMXR TYPE PLASTIC FILM CAPACITOR	1JUMXRTF102JE	1	376591024T	NSP
C6528	UMXR TYPE PLASTIC FILM CAPACITOR	1JUMXRTF102JE	1	376591024T	NSP
C6529	UMXR TYPE PLASTIC FILM CAPACITOR	1JUMXRTF102JE	1	376591024T	NSP
[Resistors]					
R2000	CHIP TYPE CARBON RESISTOR	RN72K1J-103JE	1	435031034R1	NSP
R2001	CHIP TYPE CARBON RESISTOR	RN72K1J-103JE	1	435031034R1	NSP
R2100	CHIP TYPE CARBON RESISTOR	RN72K1J-750JE	1	435037504R1	NSP
R2101	CHIP TYPE CARBON RESISTOR	RN72K1J-750JE	1	435037504R1	NSP
R2102	CHIP TYPE CARBON RESISTOR	RN72K1J-750JE	1	435037504R1	NSP
R2103	CHIP TYPE CARBON RESISTOR	RN72K1J-750JE	1	435037504R1	NSP
R2104	CHIP TYPE CARBON RESISTOR	RN72K1J-750JE	1	435037504R1	NSP
R2105	CHIP TYPE CARBON RESISTOR	RN72K1J-750JE	1	435037504R1	NSP
R2106	CHIP TYPE CARBON RESISTOR	RN72K1J-750JE	1	435037504R1	NSP
R2107	CHIP TYPE CARBON RESISTOR	RN72K1J-750JE	1	435037504R1	NSP
R2108	CHIP TYPE CARBON RESISTOR	RN72K1J-103JE	1	435031034R1	NSP
R2109	CHIP TYPE CARBON RESISTOR	RN72K1J-271JE	1	435032714R1	NSP
R2110	CHIP TYPE CARBON RESISTOR	RN72K1J-104JE	1	435031044R1	NSP
R2111	CHIP TYPE CARBON RESISTOR	RN72K1J-103JE	1	435031034R1	NSP
R2112	CHIP TYPE CARBON RESISTOR	RN72K1J-103JE	1	435031034R1	NSP
R2113	CHIP TYPE CARBON RESISTOR	RN72K1J-103JE	1	435031034R1	NSP
R2114	CHIP TYPE CARBON RESISTOR	RN72K1J-103JE	1	435031034R1	NSP
R2120	CHIP TYPE CARBON RESISTOR	RN72K1J-333JE	1	435033334R1	NSP
R2121	CHIP TYPE CARBON RESISTOR	RN72K1J-271JE	1	435032714R1	NSP
R2122	CHIP TYPE CARBON RESISTOR	RN72K1J-104JE	1	435031044R1	NSP
R2124	CHIP TYPE CARBON RESISTOR	RN72K1J-333JE	1	435033334R1	NSP
R2125	CHIP TYPE CARBON RESISTOR	RN72K1J-271JE	1	435032714R1	NSP
R2126	CHIP TYPE CARBON RESISTOR	RN72K1J-104JE	1	435031044R1	NSP
R2128	CHIP TYPE CARBON RESISTOR	RN72K1J-333JE	1	435033334R1	NSP
R6500	CHIP TYPE CARBON RESISTOR	RN72K1J-000JE	1	435030004R1	NSP
[Switches, Terminals, Wires]					
F2000	FUSE	T6.3A-SEUL-T250V	1	252399T	!
P100	PRINTED WIRING BOARD	BCTRM-2023	1	25142023B	N NSP
P100B	PRINTED WIRING BOARD	BCETC-2024	{1}	25142024	N NSP
P100D	PRINTED WIRING BOARD	BCETC-2027	{1}	25142027	N NSP
P2000	PLUG	NPLG-3P117	1	25055133	NSP
P2100	PIN JACK	NPJ-2PDY748	1	25046003	
P2101	PIN JACK	NPJ-6PDGLRGLR646	1	25045871	
P2800A	SOCKET	NSCT-23P2414	1	25052517	NSP
P2802	WIRE HARNESS ASSEMBLY	NSAS-5P2110	1	2009991299UL	NSP
P2802A	WIRE HOL	CHD-1.5-5	1	25053536	NSP
P2802Aor	WIRE HOL	NSCT-5P876	(1)	25051089	NSP
P6400B	PLUG	NPLG-7P121	1	25055137	NSP

P6401B	PLUG	NPLG-9P123	1	25055139	NSP
P6501	TERMINAL	NTM-6PDMCR456	1	25060535	
P6505	TERMINAL	NTM-4PDMNRR414	1	25060486	N
P6507	TERMINAL	NTM-4PDMNRR414	1	25060486	N
P6509	TERMINAL	NTM-4PDMNRR414	1	25060486	N
P7880	WIRE HARNESS ASSEMBLY	NSAS-5P2193	1	2009991382UL	NSP
P7880C	WIRE HOL	CHD-2.5-5	1	25053541	NSP
P7880Cor	WIRE HOL	NSCT-5P896	(1)	25051109	NSP
P9011B	PLUG	NPLG-5P133	1	25055149	NSP
RL6501	RELAY	NRL-2P5A-DC24-129	1	25065563A	
RL6501or	RELAY	NRL-2P5A-DC24-193	(1)	25065703	
RL6503	RELAY	NRL-2P5A-DC24-129	1	25065563A	
RL6503or	RELAY	NRL-2P5A-DC24-193	(1)	25065703	
RL6505	RELAY	NRL-2P5A-DC24-129	1	25065563A	
RL6505or	RELAY	NRL-2P5A-DC24-193	(1)	25065703	
RL6507	RELAY	NRL-2P5A-DC24-129	1	25065563A	
RL6507or	RELAY	NRL-2P5A-DC24-193	(1)	25065703	
RL6509	RELAY	NRL-2P5A-DC24-129	1	25065563A	
RL6509or	RELAY	NRL-2P5A-DC24-193	(1)	25065703	