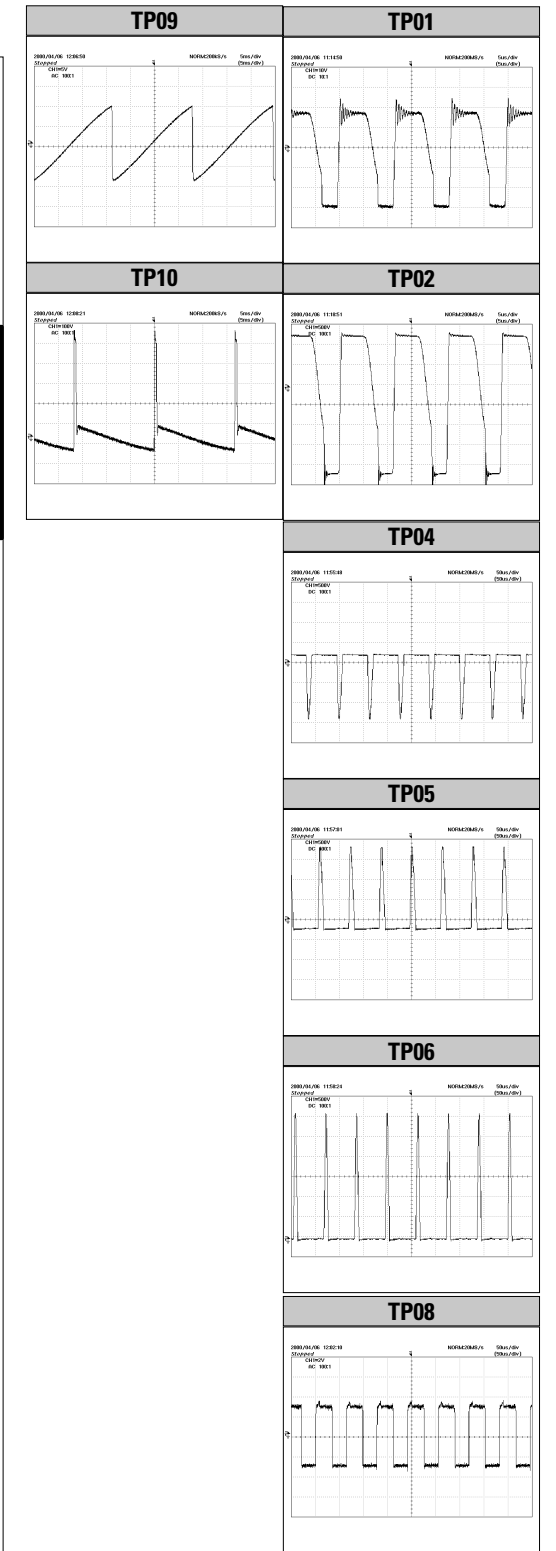
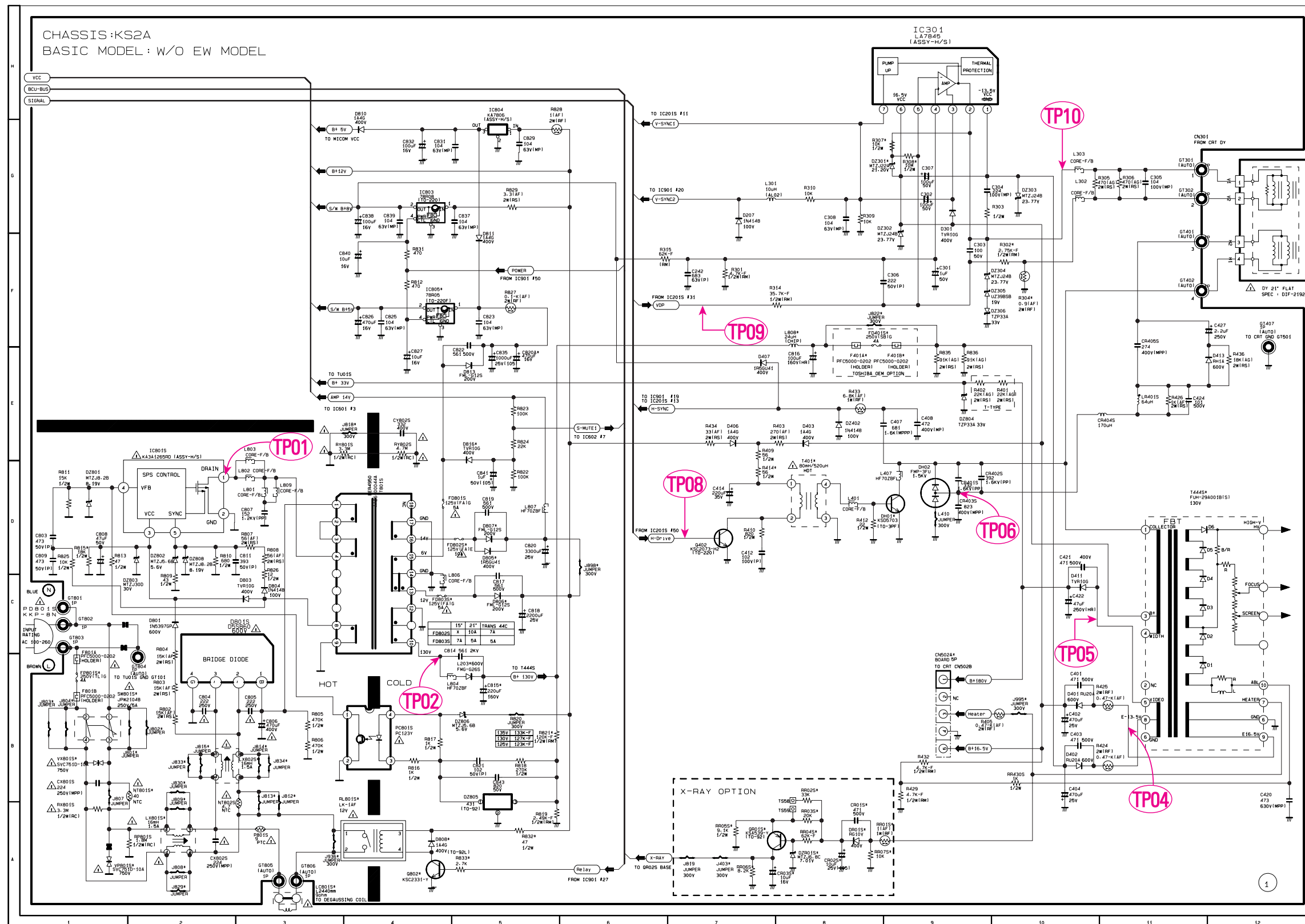
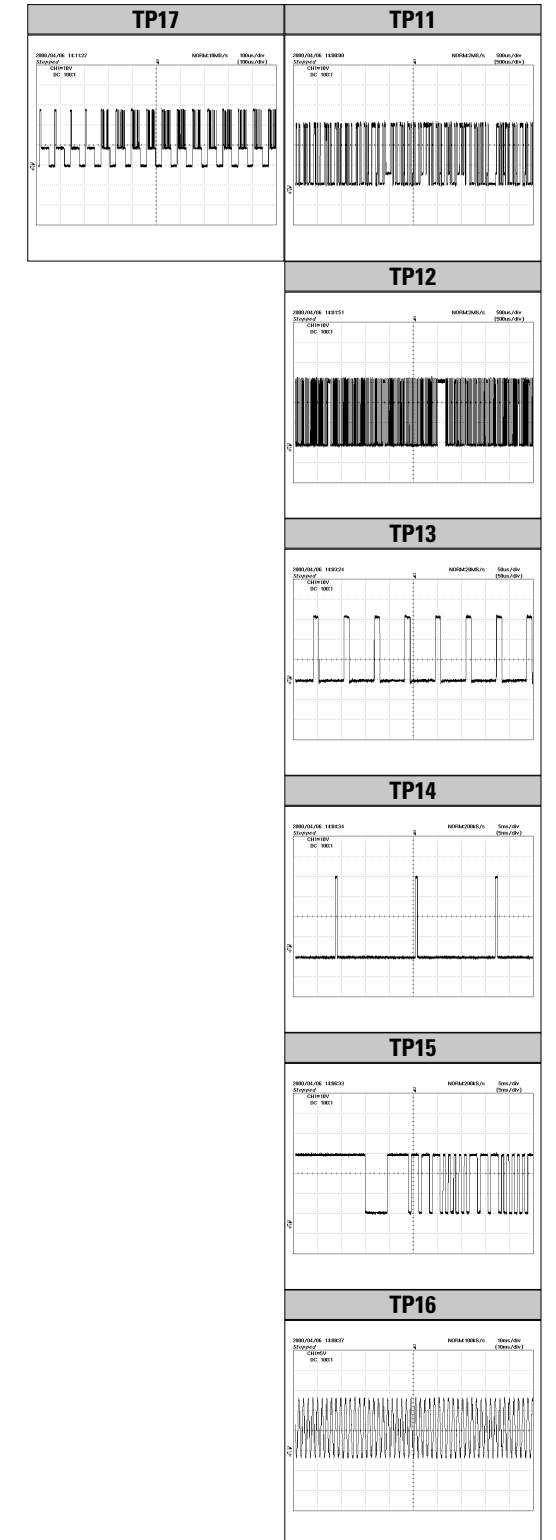
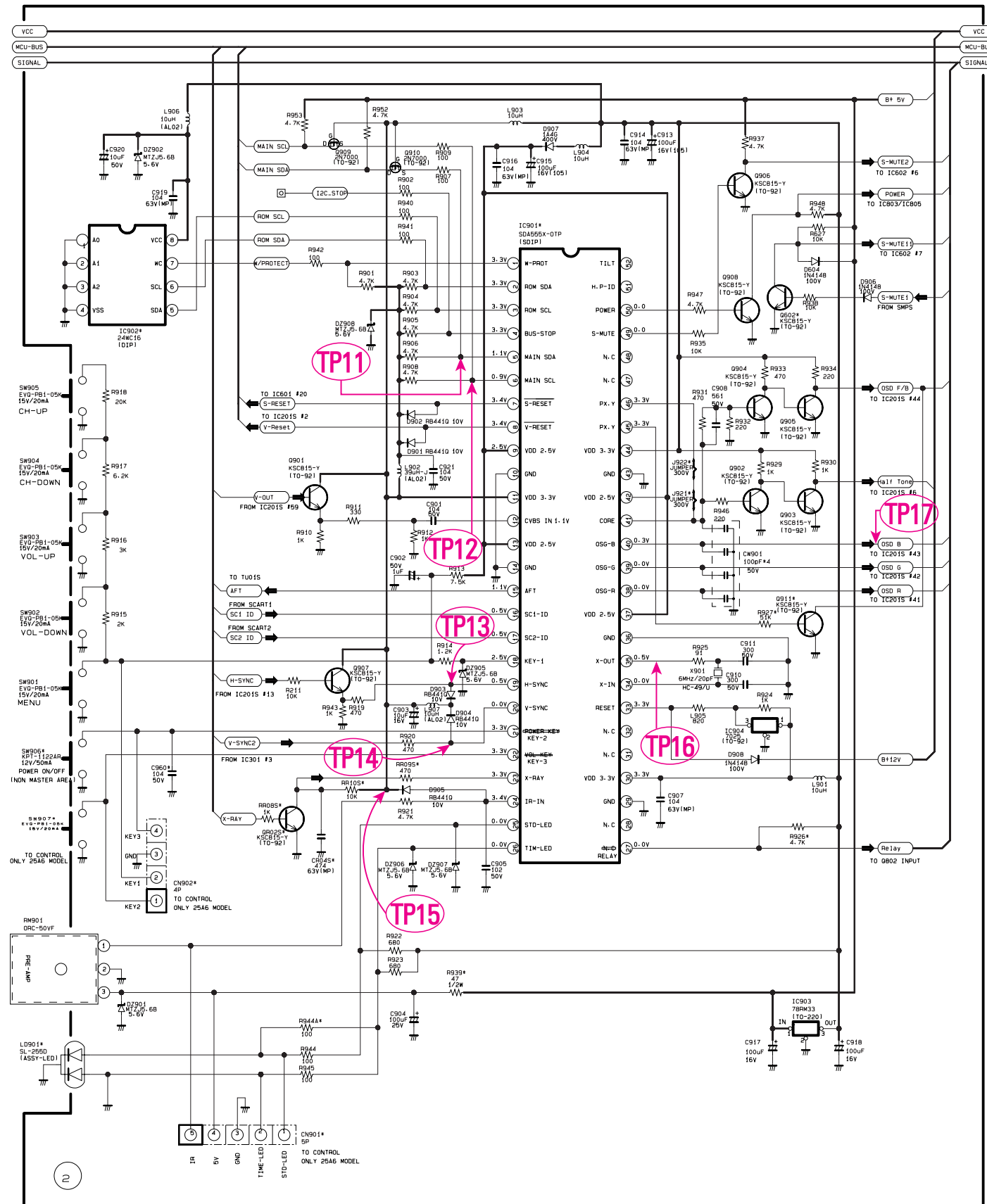




10-2 MAIN 1-2

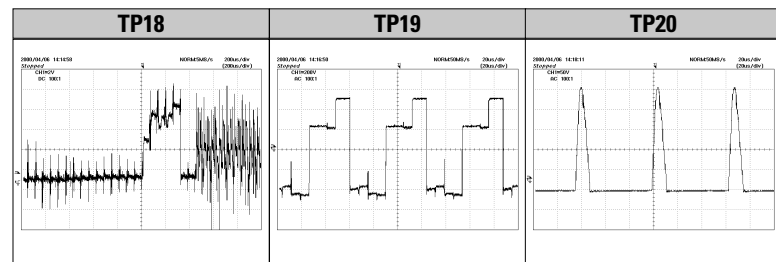
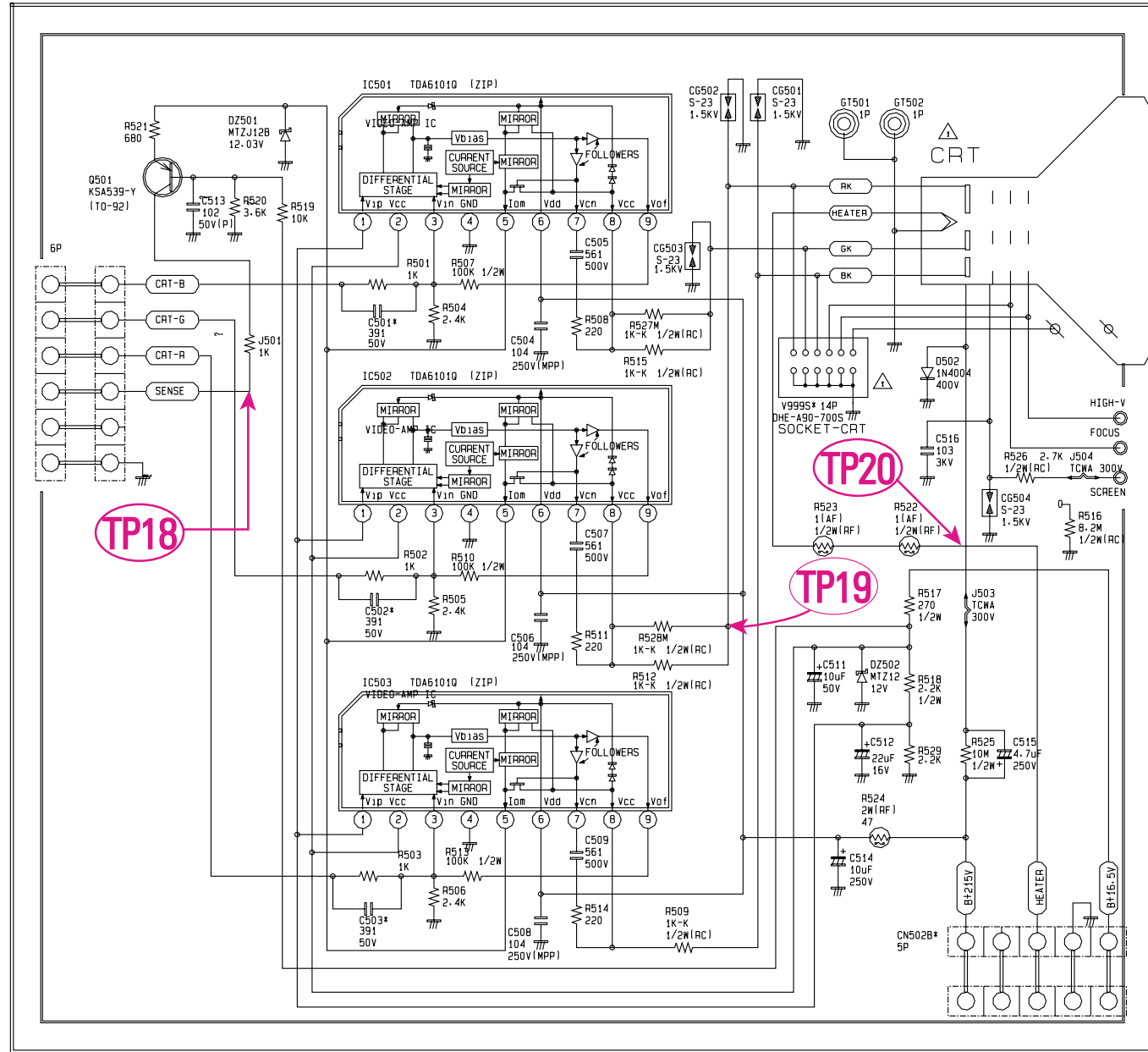


10-3 MAIN 2

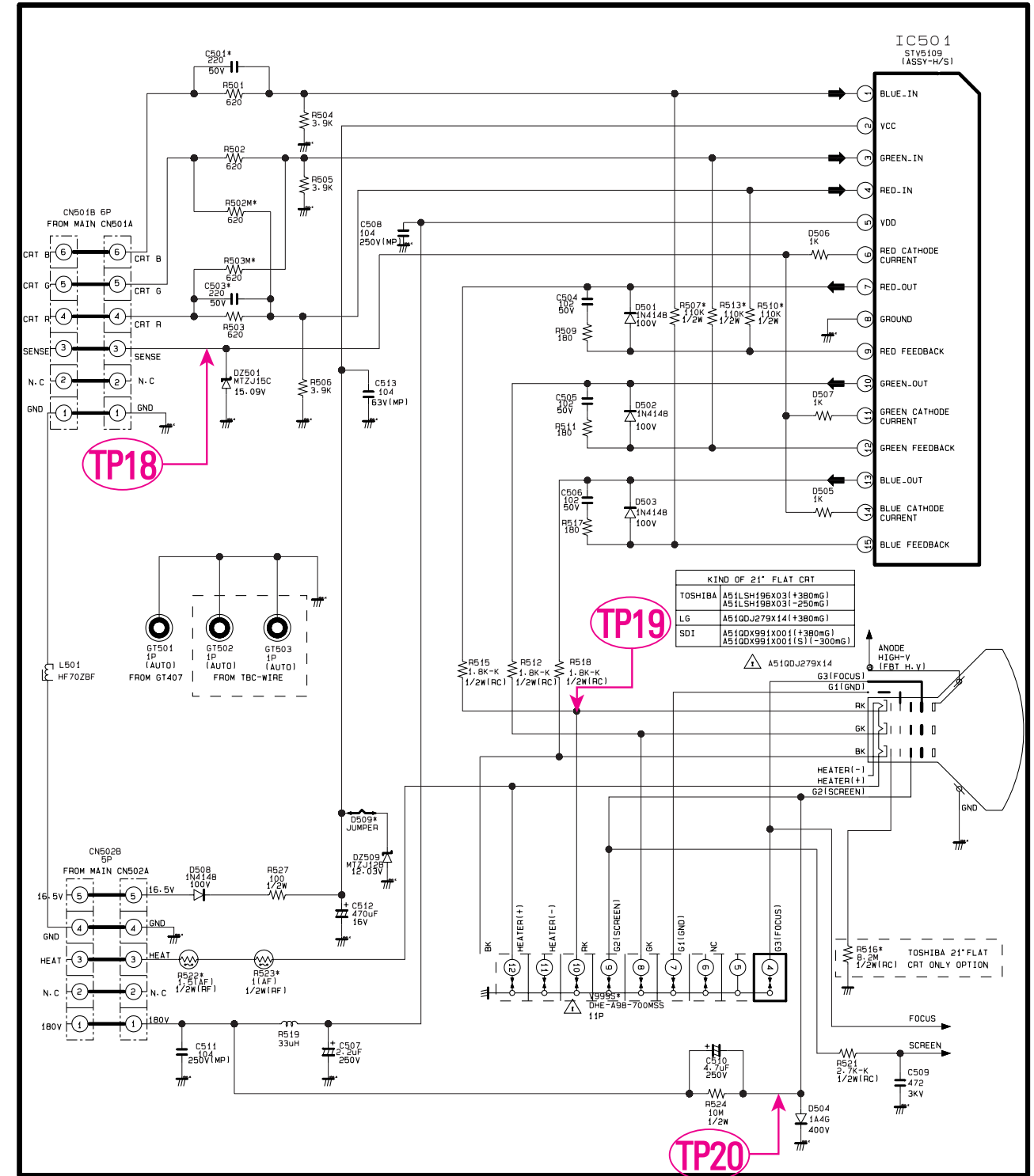


10-4 MAIN 2(CRT)

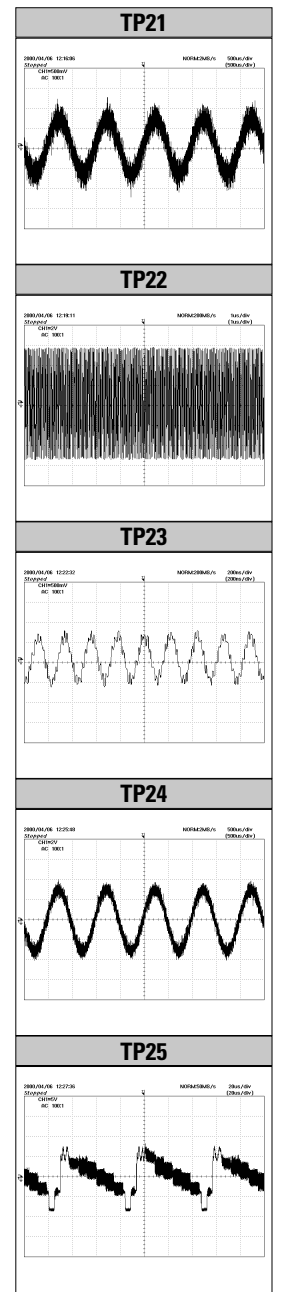
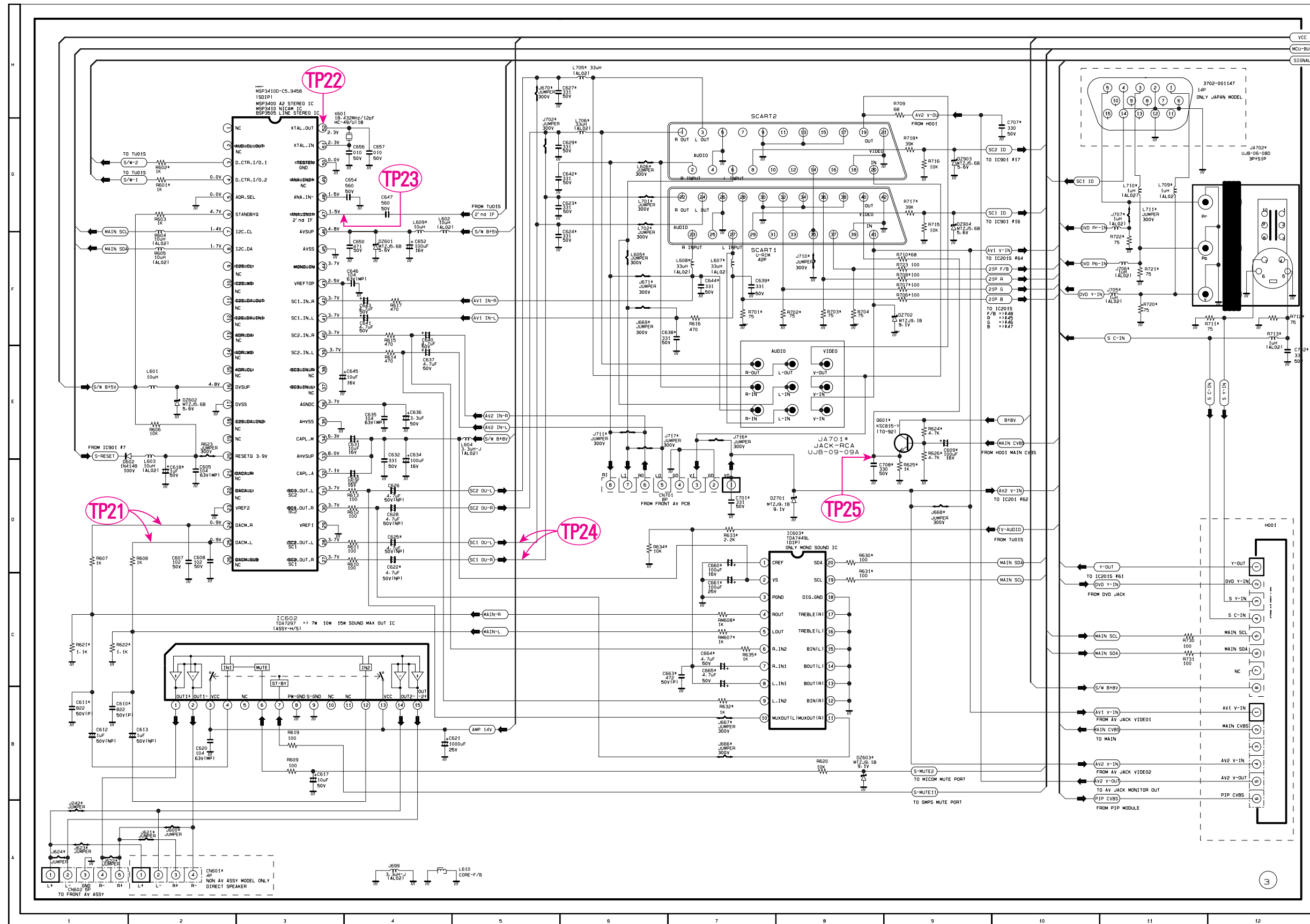
REVISION 1



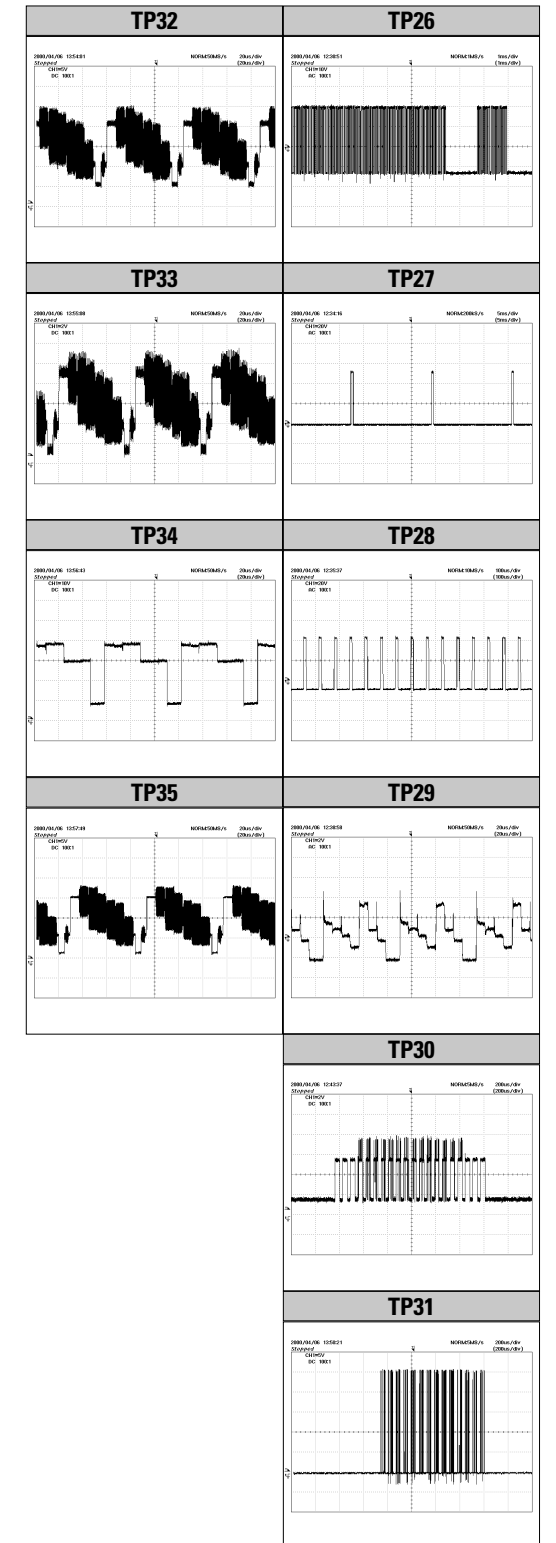
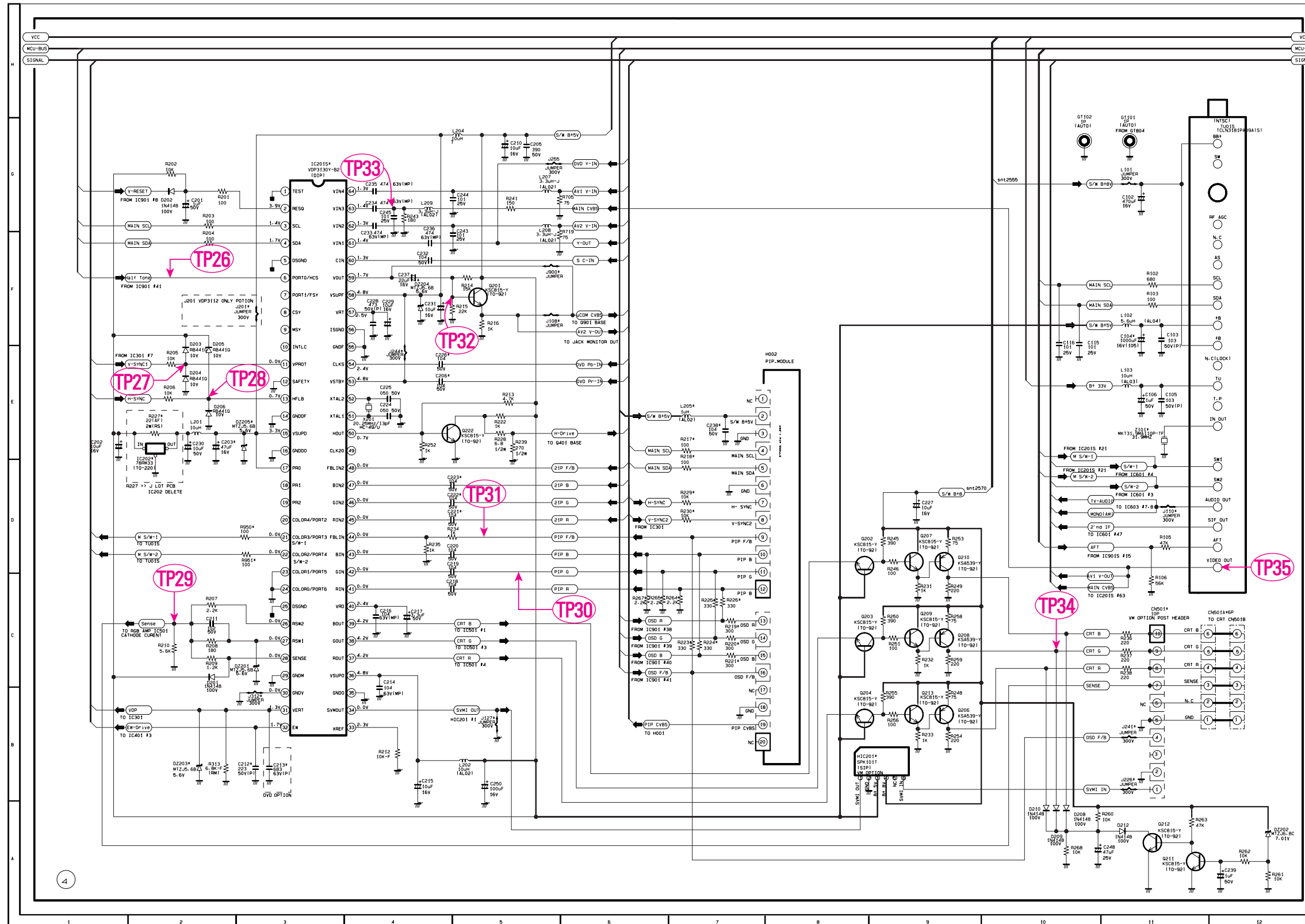
REVISION 2



10-5 MAIN 3/4



10-6 MAIN 4/4



10-7 PIP

