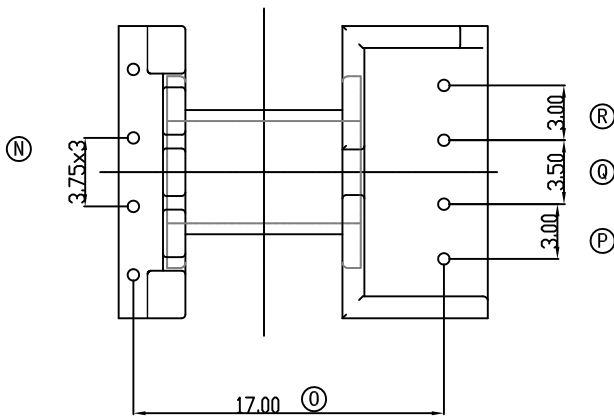
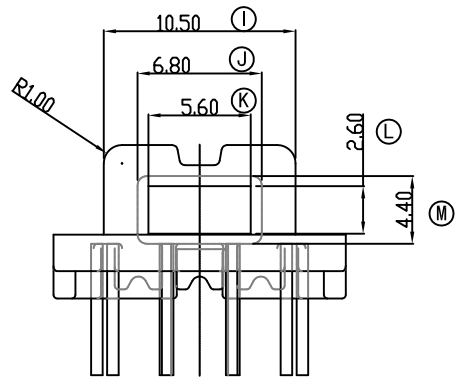
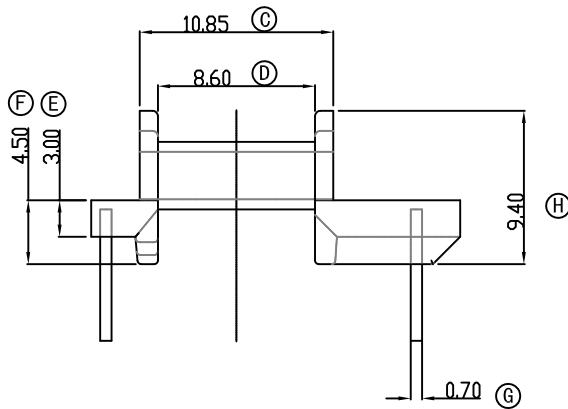
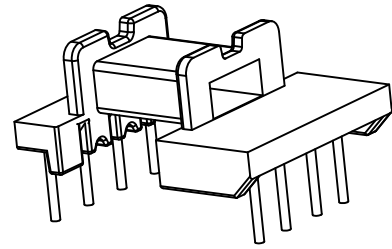
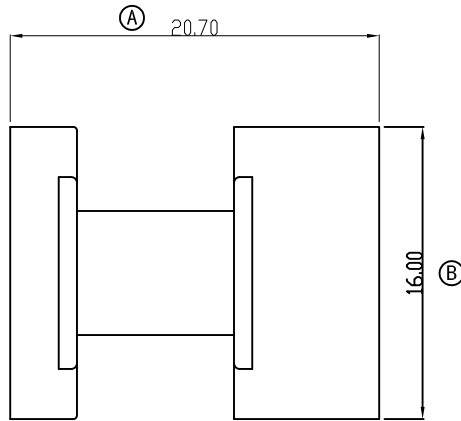


型号

EFD-1515-7



REV	DATE	REVISIONS	REC

支点处加胶成四方型以增加支点强度

深圳市捷达成电子有限公司

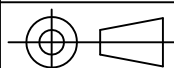
JIEDACHENG ELECTRONICS CO.,LTD.

TEL:0755-27317730 FAX:0755-27317731

ANGLE:
+/-1°

UNIT:
MM

SCALE:
4/1



MODEL NAME:
EFD-1515-7 8PIN

UL REC:
UL 94V-0

PIN TENSION LOAD
1.0KG MIN

DATE:
2011-10-21

BOBBIN MATERIAL:
PHENOLIC

PIN MATERIAL:
CP WIRE

DRAWING NO:
EFD-1515-7

REV:
0

DRAFTER
W.H

CHECKER
Y.F.

TOLERANCE
0<L<4 ±0.1
4<L<16 ±0.2
16<L<50±0.3
PIN PITCH ± 0.2