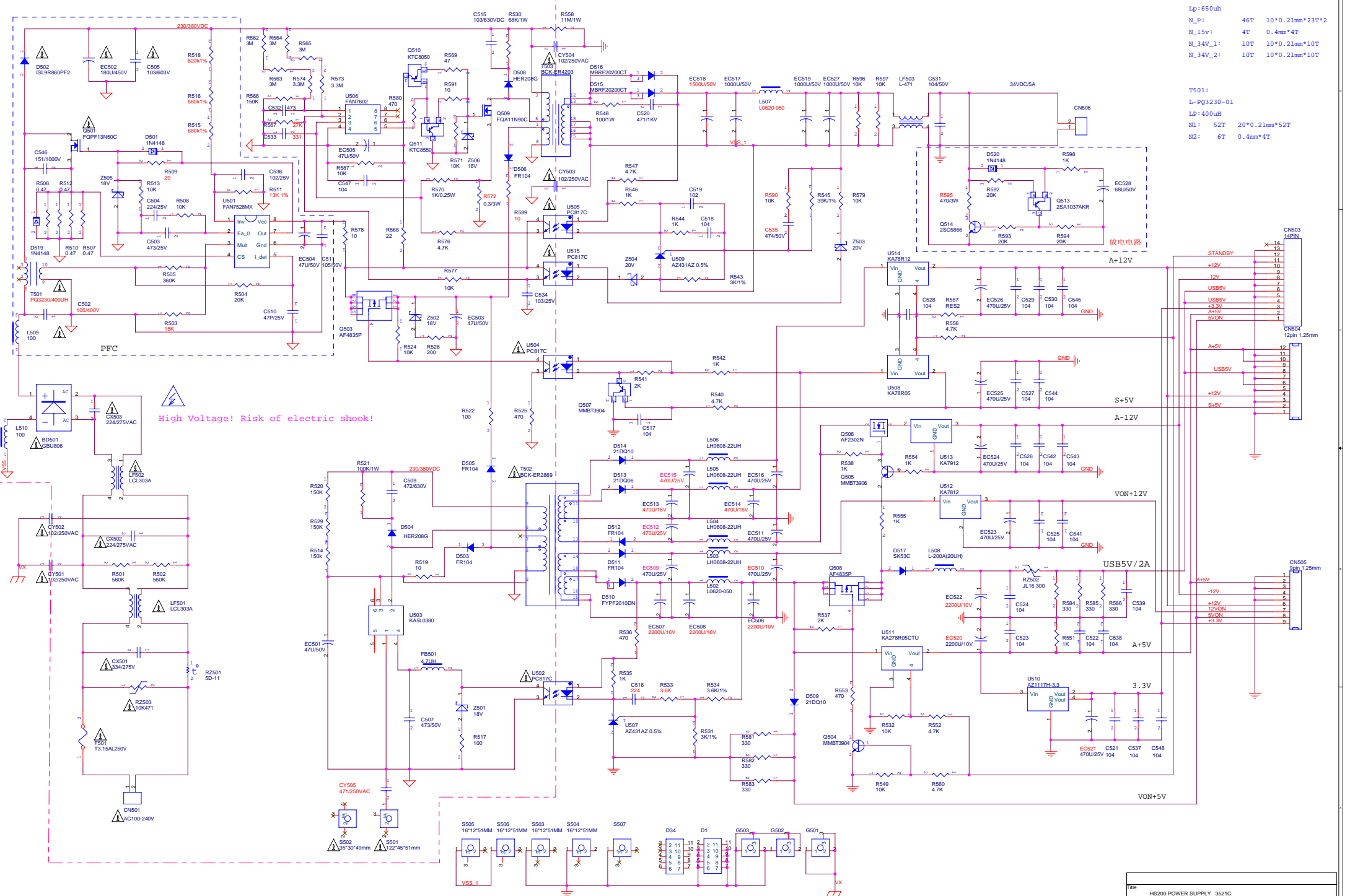


Main Transformer EER42
 Lp:650uh
 N_p: 46T 10*0.21mm*23T*2
 N_15v: 4T 0.4mm*4T
 N_34V_1: 10T 10*0.21mm*10T
 N_34V_2: 10T 10*0.21mm*10T

T501:
 L-PQ3230-01
 LP:400uH
 N1: 52T 20*0.21mm*52T
 N2: 6T 0.4mm*4T



High Voltage! Risk of electric shock!

File	HS200 POWER SUPPLY 3521C	
Size	Document Number	Rev
A2	xyz	V2.3
Date:	Wednesday, August 22, 2007	Sheet 1 of 1