



Service Manual

Washing machine

Frontloader

FL 5105/A

Model Version	FL 5105/A 8570 510 10780	Page
	Technical data	2 - 3
	Spare part list	4 - 5
	Exploded view	6 - 7
	Wiring diagram	8
	Circuit diagram	9
	Program chart	10 - 15
	Family	ALPHA



Technical data**Dimensions**

Height	81.5 - 84	cm
Width	59.5	cm
Depth	57.3	cm

Weight

Net weight	~72	kg
With package	~74	kg

Main Connection

Voltage	230	V ± 10%
Frequency	50	Hz
Power consumption	~2.3	kW
Fuse rating	10	A

Drum

Volume	42	l
Wash spin	54	rpm
Ramp spin	95	rpm
Speed spinning max.	1000	rpm

Capacity of dry laundry

Cotton/coloured	5	kg
Cotton rapid	3	kg
Cotton short	5	kg
Synthetics	2.5	kg
Synthetics rapid	1.5	kg
Synthetics short	2.5	kg
Delicate	1.5	kg
Wool	1	kg
Handwash/Silk	1	kg
Daily	3	kg

Pressostat

Kind of switch	1-level pressoswitch with overflow contact	
Type	760/B1 - 223	
Nominal voltage	230	V

Water Level

Level 1 (11 - 12/14)		
Switching point	60 ± 5	mmWc
Switching back point	35 ± 5	mmWc

Overflow (11 - 16)	300 ± 20	mmWc
--------------------	----------	------

Pilot lamp

Type	179	
Nominal voltage	230	V

Nominal currents

Contacts		
11 - 12	4 (4)	A
11 - 12 (heater. prot.)	0.1 (0.1)	A
11 - 14	16 (4)	A
11 - 16	1 (1)	A

Door lock

Kind of switch	Switch with PTC heater of bimetal	
Type	DA	
Nominal voltage	230 (90 - 264) V	
Nominal current:		
Contact 4 - 5	16 (4)	A
Lock time	≤6"	
Unlock time	≤35 - 65/180"	

Heating element

Kind of heating	Tubular heating element with NTC - sensor	
Nominal voltage	230 +10%, -15% V	
Nominal power	2050	W ± 5%
Resistance (20 °C)	23.9/25.8	Ω ± 5%
Thermo-fuse (switch OFF temperature)	152/167	°C
Leakage current (< 99 °C)	< 0.8	mA

NTC sensor

Resistance NTC:		
0 °C	35.9	kΩ ± 5.8%
30 °C	9.8	kΩ ± 3.7%
40 °C	6.6	kΩ ± 3.1%
50 °C	4.6	kΩ ± 2.6%
60 °C	3.2	kΩ ± 2.0%
70 °C	2.3	kΩ ± 2.5%
95 °C	1.1	kΩ ± 3.7%

Inlet valve

Kind of valve	1-way valve for cold water, electrical connection with Rast 2.5	
Water temperature	<60	°C
Rated flow >1 bar	8	l/min ± 10%
Pressure range	0.2 - 10	bar
Nominal voltage	220 - 240	V
Frequency	50	Hz
Nominal current	35	mA
Nominal power	6	W ± 10%
Nominal resistance	3.8/4.1	kΩ ± 10%

Technical data

Drain pump (synchronous)

Type	72735	
Nominal Voltage	230	V
Nominal/max. current	0.3/0.5	A
Rotation speed	3000	rpm
Nominal power	34	W
Frequency	50	Hz
Resistor (coil) (20 °C)	155	Ω
Capacity (0.55 - 1.0 m)	14 ± 2	l/min

Program timer

Type	AA1	
Timer basic	4619 710 73371	
Timer programmed	4619 751 53041	
Program	32	positions

Motor

Type	MCA 38/64-148/WHE 3
Belt ratio	i = 1:15.9

Resistance contacts (20 °C)

Stator (full field)	2.04	Ω ± 7%
Rotor	2.25	Ω ± 7%
Tachogenerator	68.70	Ω ± 7%

Input power (230 V AC)

Washing	190	W ± 7%
Rinsing	260	W ± 7%
Spinning	360	W ± 10%

Radio interference filter

Rated voltage	250	V
Rated current	16	A
Frequency	50/60	Hz
Nominal capacity	240/250nFX1+2x22nFY	± 20%
Nominal resistance	1	MΩ ± 5%
Derivation current (u = 250 V AC)	≤ 4.15 (2 x 2.075)	mA

Main switch

Type	1DLF1006
Nominal voltage	250 V
Nominal current	16 (5) A
Poles	2
Functionality	Normally opened
Connection in RAST 5	6.3 pins
Connection lamp	2.8 pins

Option switch

Nominal voltage	5	V DC
Nominal current	1	mA
Poles	1	
Functionality	Normally opened	
Connection	RAST 2.5	

Temperature/spin speed selector

Type	04-0084.0006	
Positions	7	
Nominal voltage	5	V DC
Nominal current	1	mA
Poles	1	
Connection	RAST 2.5	
Value of resistors ± 5%:		
5 - 6	pos.1	<10 Ω
«-»	pos.2	0.68 kΩ
«-»	pos.3	1.10 kΩ
«-»	pos.4	1.80 kΩ
«-»	pos.5	2.70 kΩ
«-»	pos.6	3.60 kΩ
«-»	pos.7	4.70 kΩ

Push button switch

ON/OFF	SM
Eco	OPT. 1
Rapid	OPT. 2
Intensive rinse	OPT. 3
Rinse hold	OPT. 4

Spare part list

Model FL 5105/A
Service No. 857051010780
Version 857051010780

Pos. No.	12NC Code	Description
001 0	4812 440 10784	Cabinet GW
002 0	4812 440 10778	Flap round GW
003 0	4812 464 48101	Traverse
011 0	4812 500 18099	Adjust. foot M8, 112mm
021 0	4812 440 11225	Front
024 0	4819 440 19892	Panel, rear
025 0	4812 440 19817	Support control board
030 0	4812 310 18936	Table top VBL 42l GW
040 0	4812 417 18787	Hinge
050 0	4812 440 10779	Plinth GW
061 0	4812 466 88458	Counterweight upper
061 1	4812 466 88607	Counterweight front
061 2	4819 310 39227	Mounting kit Weight top
061 3	4819 310 39228	Mounting kit Weight bottom
081 0	4812 529 18038	Shock absorber until 1200
084 0	4812 466 58001	Silent block
086 2	4812 401 18412	Stopper
110 0	4812 498 18261	Handle, door GW
130 0	4812 417 28047	Plate Door lock
130 1	4812 417 28048	Plate Door lock Lower
131 0	4812 417 28046	Lock Door
131 1	4812 417 28045	Pin Door Lock
131 2	4812 492 58022	Spring Door Lock
135 1	4812 498 18262	Knob Door Safety GW
135 2	4812 492 58023	Spring Door Safety
135 3	4812 290 68153	Holder, adjust. Door Safety
140 0	4812 450 58983	Door glass
143 0	4812 440 10817	Glass door frame VBL WH GW
144 0	4812 440 19589	Frame, door glass DE-WT
144 3	4812 502 18669	Screw 4.0x12
191 0	4812 460 68532	Door bellow WH grease resistance
191 1	4812 492 18017	Strap
191 2	4812 492 98011	Strap
200 1	4812 418 18529	Tub, half front 42l
200 2	4812 418 18531	Tub, half rear 42l
200 4	4812 290 88054	Clamp for tub
220 0	4819 418 18333	Drum
271 0	4812 358 18056	V-ribbed belt WH 1250 J5
272 0	4812 528 58027	Pulley DIAM. 298
272 3	4812 505 18371	Nut M 12
292 0	4812 530 58101	Gasket Tub
301 0	4812 452 14897	Control panel FL 5105/A
303 0	4812 498 18386	Handle, drawer symbols
331 0	4812 414 58249	Knob, timer VBL, daily, 1000
331 1	4812 414 58235	Knob thermostat WH VBL GW
331 2	4812 414 58237	Knob, potentiom. 1000 GW
332 0	4812 513 18133	Button Options GW
339 1	4812 233 18006	Adapter f. Knob
351 0	4812 134 18011	Lamp
400 0	4819 361 58259	Motor MCA 38/64-148/WHE 3
400 1	4812 502 18382	Screw M8 X 35
409 0	4812 362 48004	Brush, carbon motor CESET
421 0	4812 121 18142	Interf. filter 1,00 µ F
430 0	4812 310 28144	Pump, draining KIT
451 0	4812 259 28819	Heating element with hole

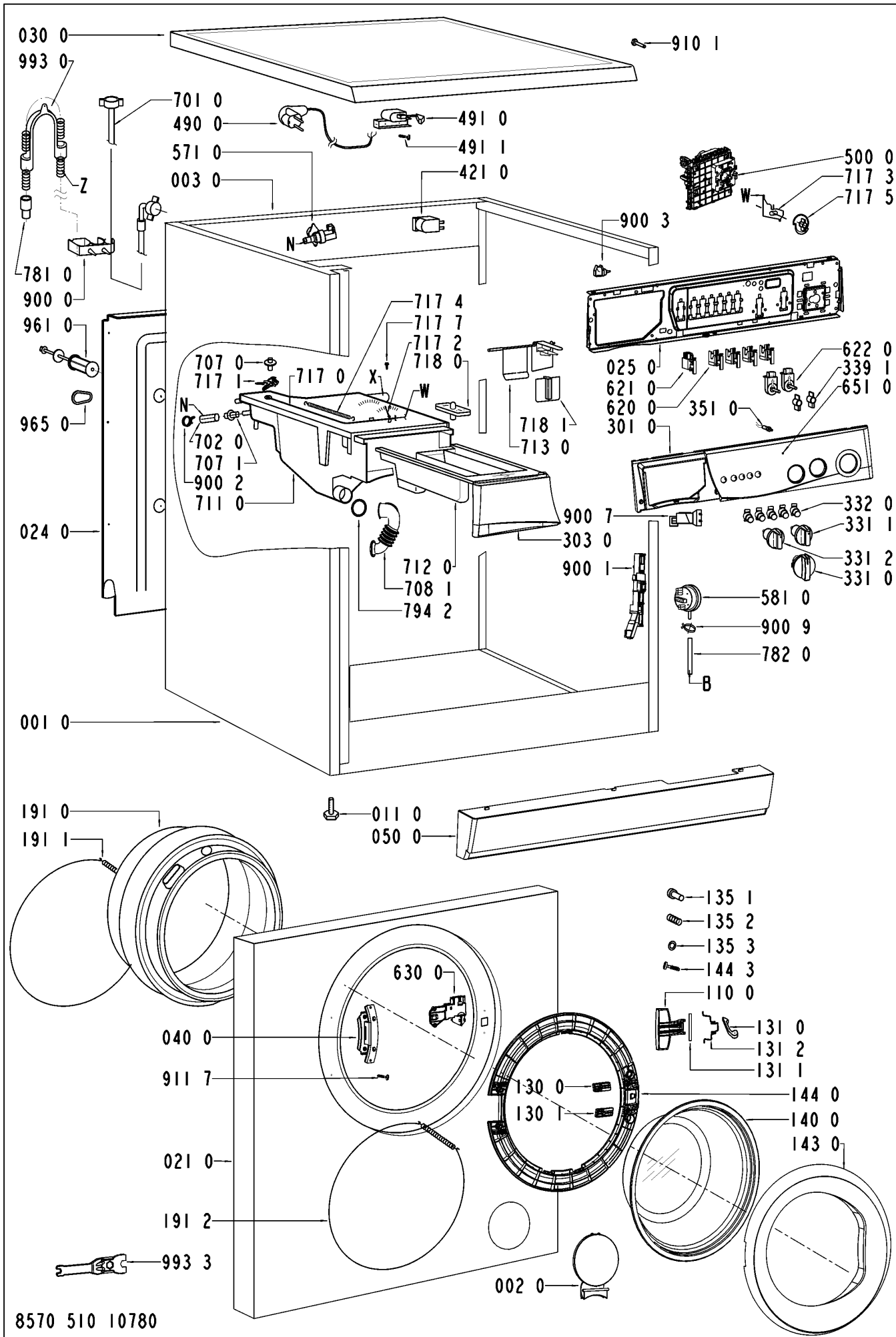
Pos. No.	12NC Code	Description
480 0	4812 321 78222	Cable AA1D-MOT 6/PP
490 0	4819 321 18136	Cable, mains 2m SA
491 0	4812 321 28367	Strain relief
491 1	4812 502 38152	Screw 4.8x19
500 0	4812 282 19842	Timer ALPHA
571 0	4812 271 28375	Valve, magnet Single
581 0	4812 271 28518	Pressostat 60/35 R 2.5
620 0	4819 410 28998	Switch options
621 0	4819 410 29004	Switch ON/OFF
622 0	4812 273 48002	Selector Temp./Spin
630 0	4812 280 58044	Door lock
651 0	4812 134 48331	Light guide VBL
691 0	4812 282 19485	Sensor NTC SC1
701 0	4812 530 29329	Hose, inlet EN 11770 Reflex
702 0	4819 530 29019	Hose intern
707 0	4812 526 48031	Nozzle Distribution
707 1	4812 526 48028	Nozzle
708 1	4812 530 48143	Bend
711 0	4812 418 88025	Dispenser BK, WH-3CH
712 0	4812 418 88051	Drawer Detergent
713 0	4812 418 89037	Flap Detergent Cont. 3 ch. GW
717 0	4819 321 28092	Bowden cable
717 1	4812 321 38013	Lever, Nozzle
717 2	4812 321 38012	Holder, adjust.
717 3	4812 278 88018	Slide
717 4	4812 492 38359	Spring, Nozzle
717 5	4812 233 18004	Cam 3 C. incl. adapter
717 7	4812 502 18409	Screw cam actuator
718 0	4812 526 48157	Siphon 3 Chamber GW
718 1	4812 418 88018	Separator 3ch
753 1	4819 418 68234	Chamber, air
754 0	4812 530 28826	Drain hose
754 1	4812 530 28832	Lock eco
754 2	4812 530 28829	Flange eco
760 0	4819 480 58106	Cover, pump
781 0	4819 530 28847	Hose, draining
782 0	4812 530 28827	Hose Pressostat
787 0	4812 530 28813	Steam hose
787 2	4819 401 18174	Clamp, hose 25-45 mm
794 2	4812 530 58005	O-Ring
794 5	4812 530 58098	Gasket Airtrap
900 0	4812 255 18204	Holder Hose outlet
900 1	4812 290 88049	Bracket
900 2	4812 401 18501	Clamp, hose 19.2 mm
900 3	4812 401 18446	Cable clamp
900 4	4812 401 18414	Clamp, hose
900 5	4819 401 18529	Clamp, hose
900 6	4812 290 18031	Clamp heating element+screw
900 7	4812 255 18205	Holder Pressostat
900 9	4812 401 48569	Clamp hose pressostat
910 1	4812 502 48344	Screw
911 7	4812 903 08196	Screw M 5X14-Z
930 0	4819 492 38139	Spring Suspension
941 0	4812 520 28066	Bearing, ball 6204
941 1	4812 520 28002	Bearing, ball 6203 2Z C3

Spare part list

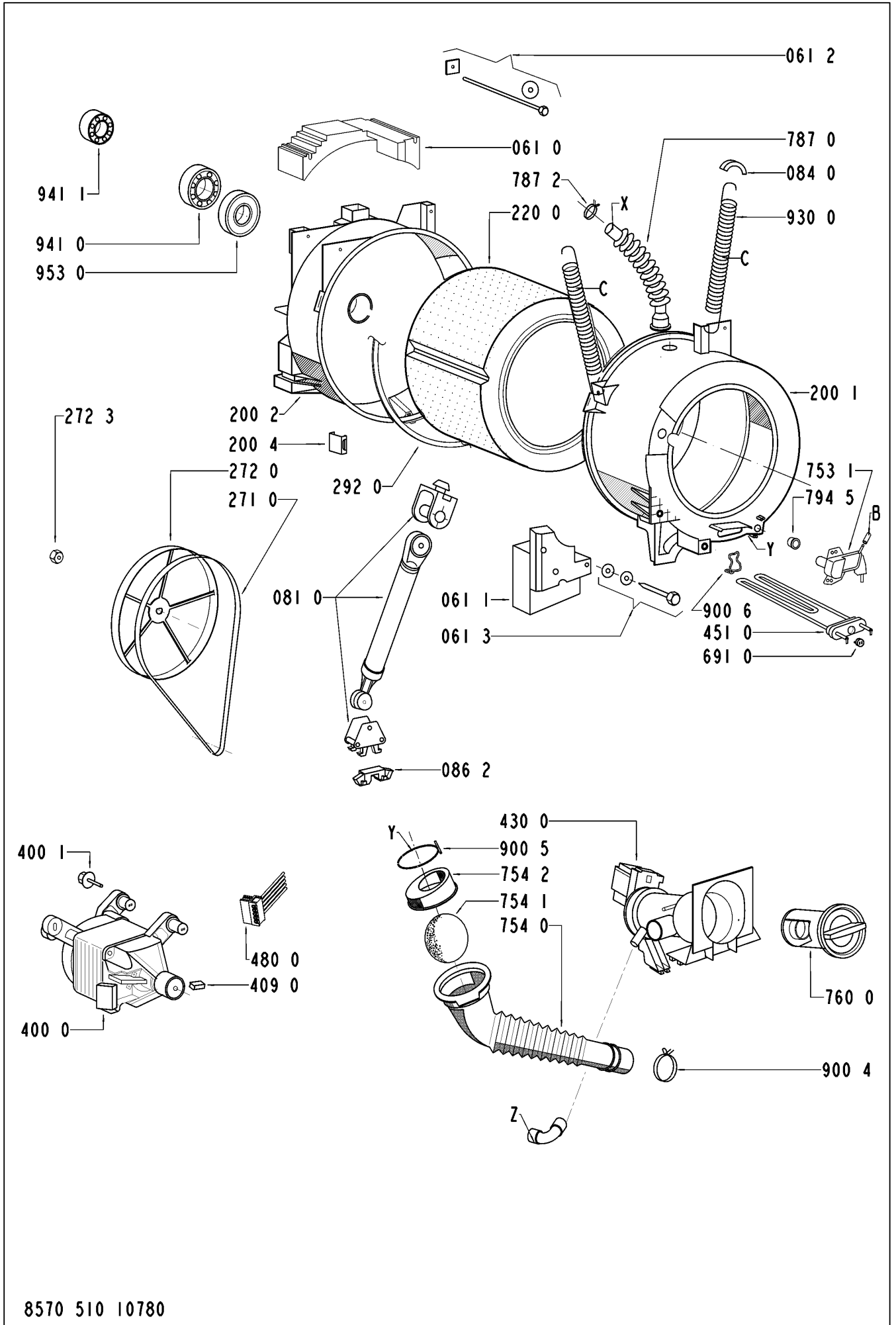
Model FL 5105/A
Service No. 857051010780
Version 857051010780

Pos. No.	12NC Code	Description
953 0	4819 532 78224	Ring
961 0	4819 532 68829	Spacer
965 0	4812 466 68545	Cover BK/WH
993 0	4812 530 29269	Bow
993 3	4812 395 58004	Tool

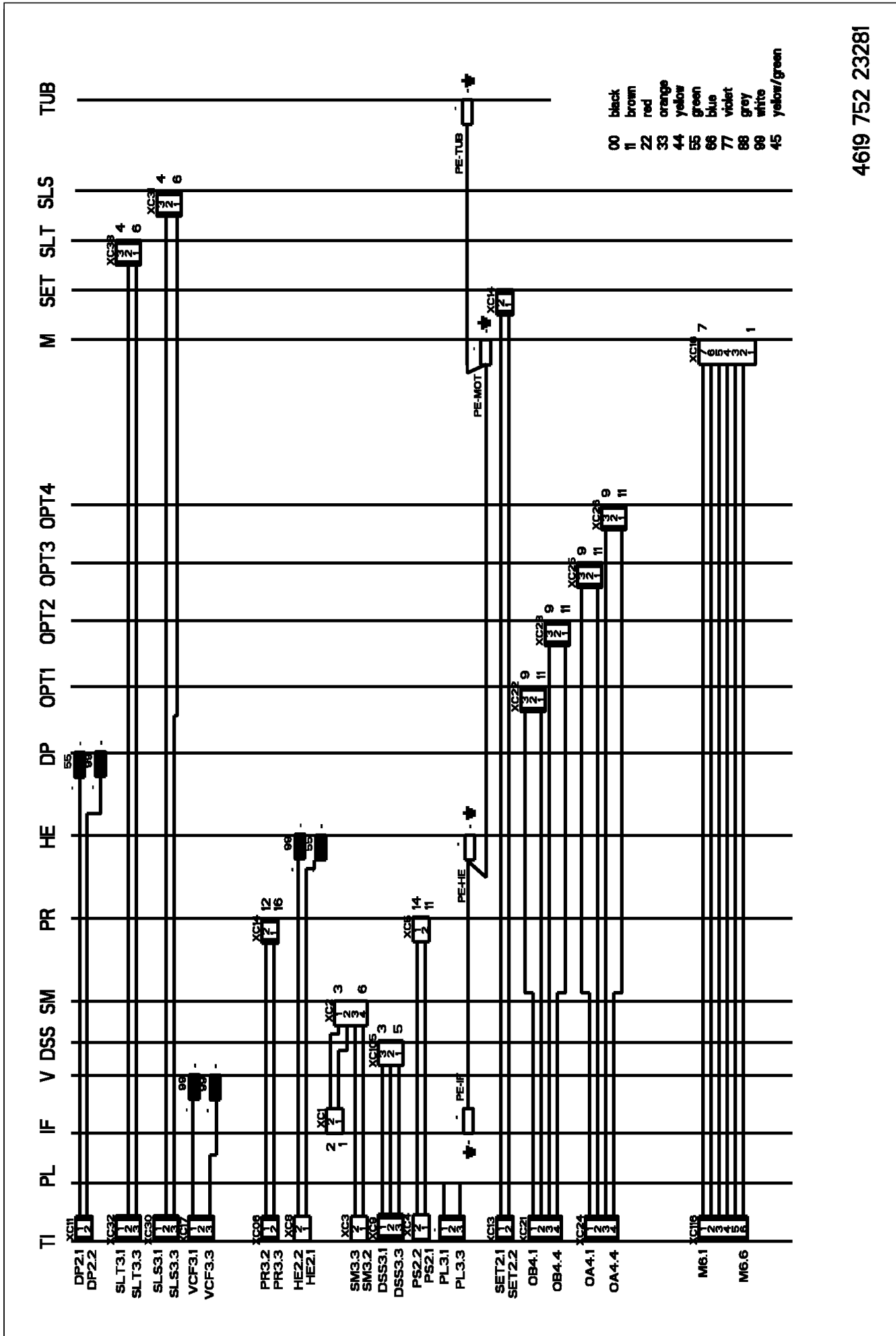
Exploded view



Exploded view

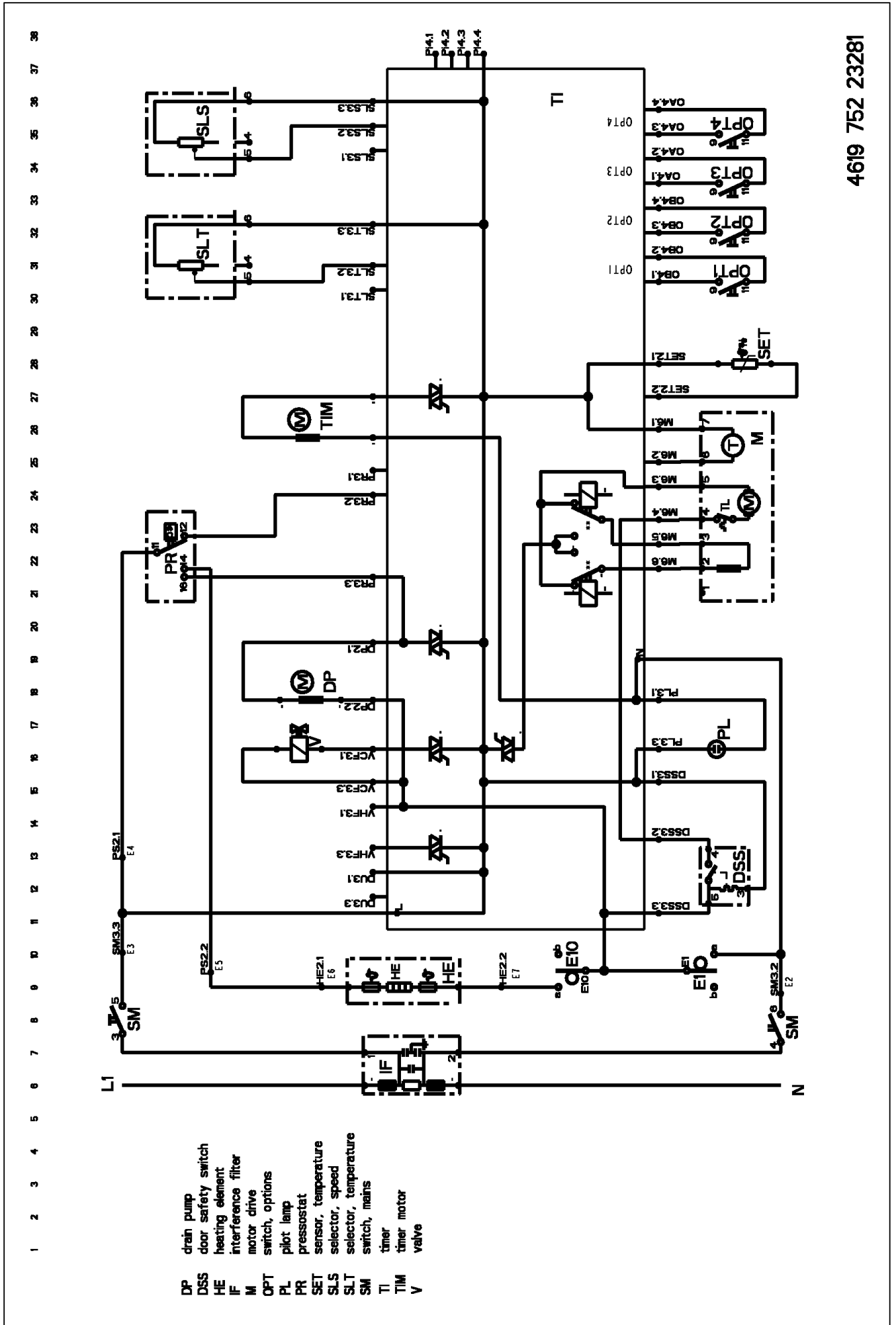


Wiring diagram



4619 752 23281

Circuit diagram

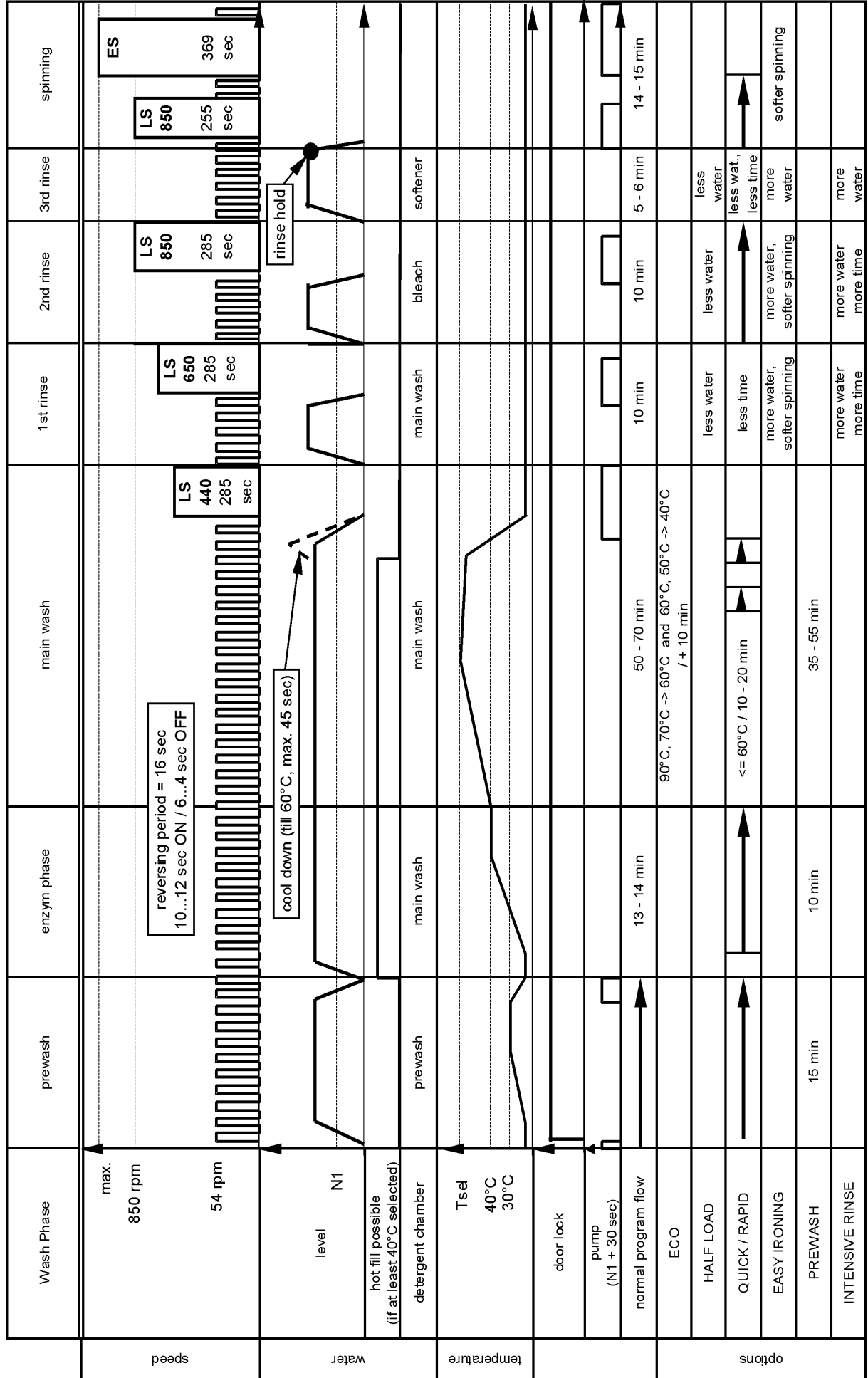


Program chart

4619 752 35041

Wash Cycle of COTTON

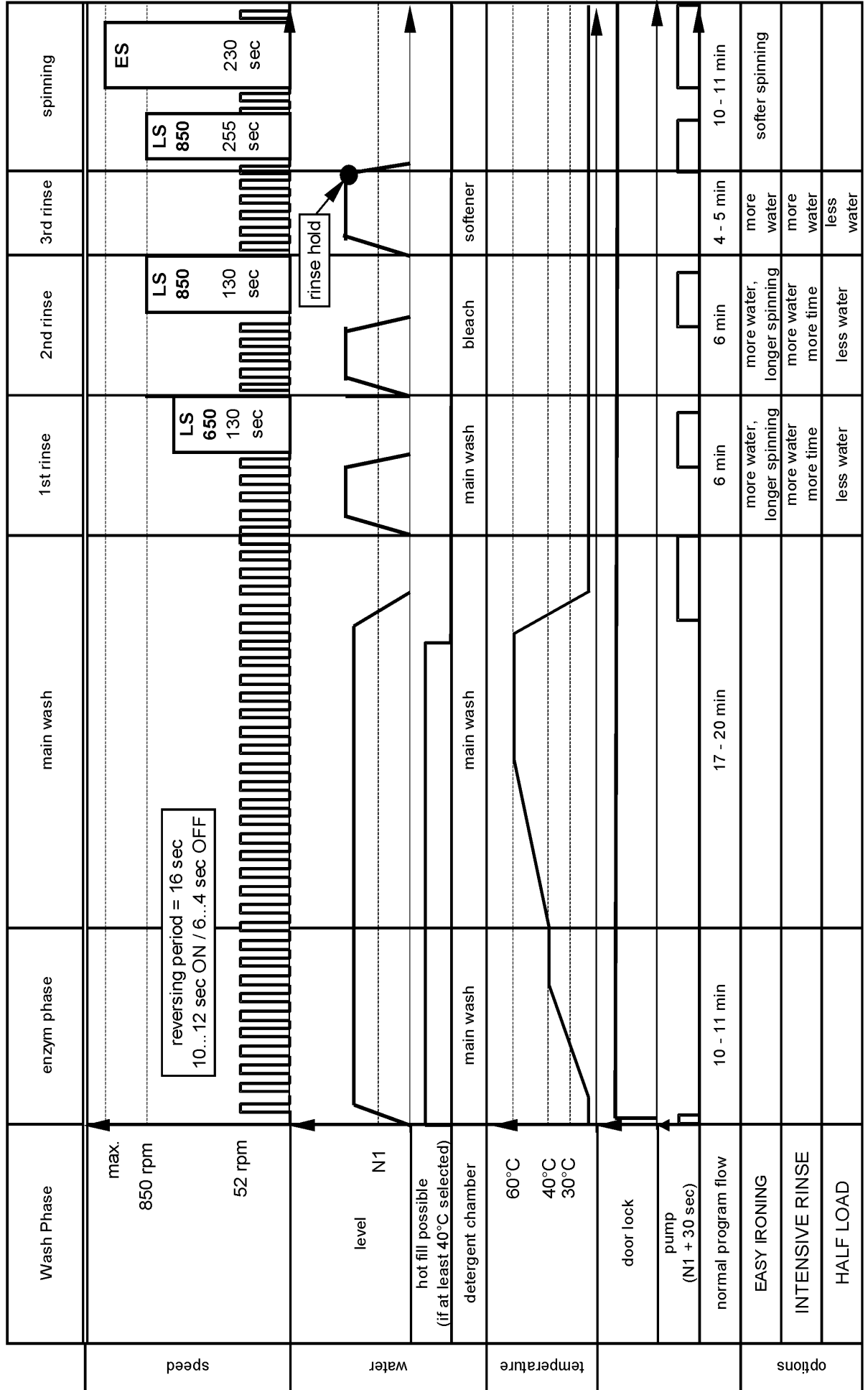
TATRY ALPHA



Program chart

4619 752 35041

TATRY ALPHA Wash Cycle of CHRONO



speed

water

temperature

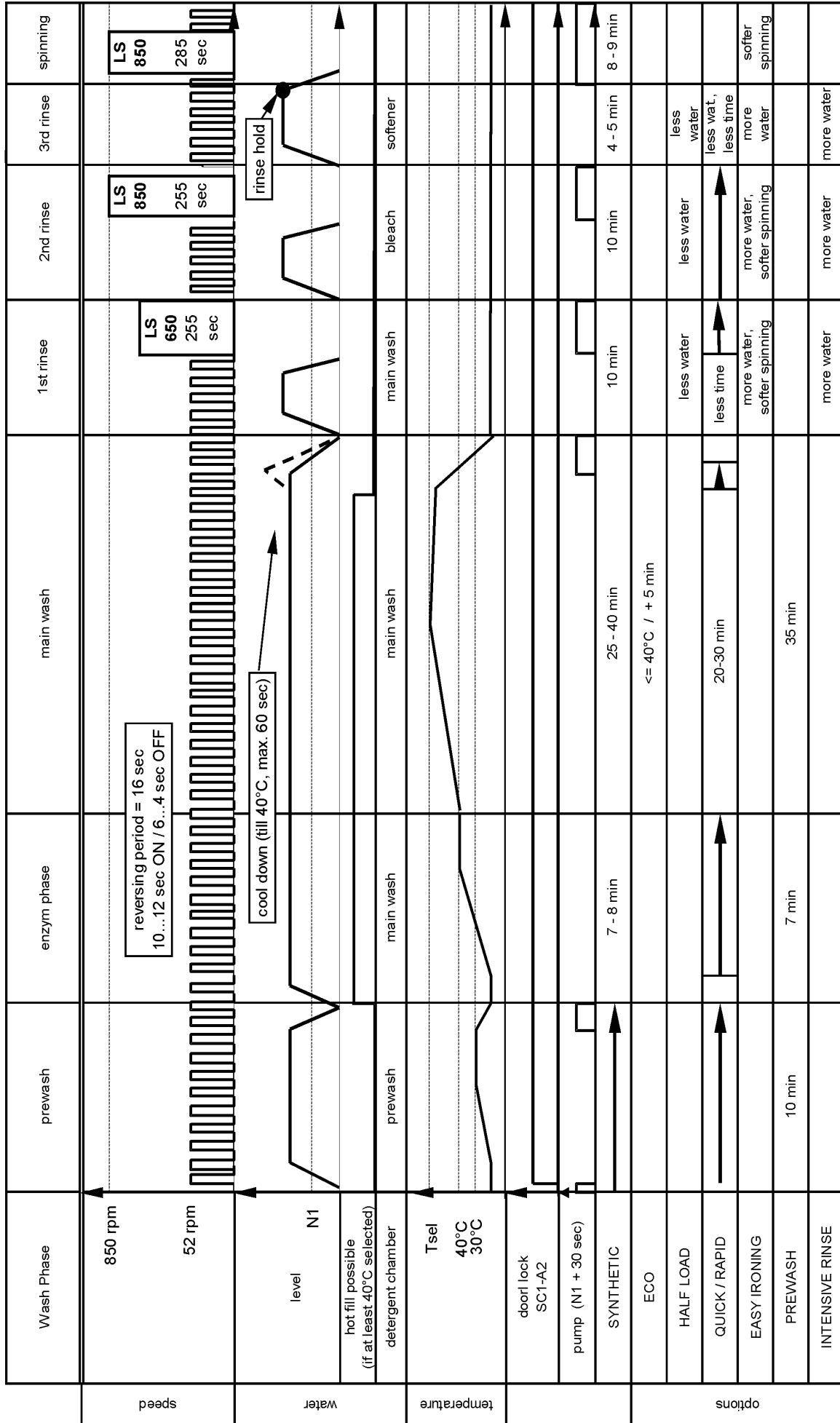
options

Program chart

4619 752 35041

Wash Cycle of SYNTHETIC

TATRY ALPHA

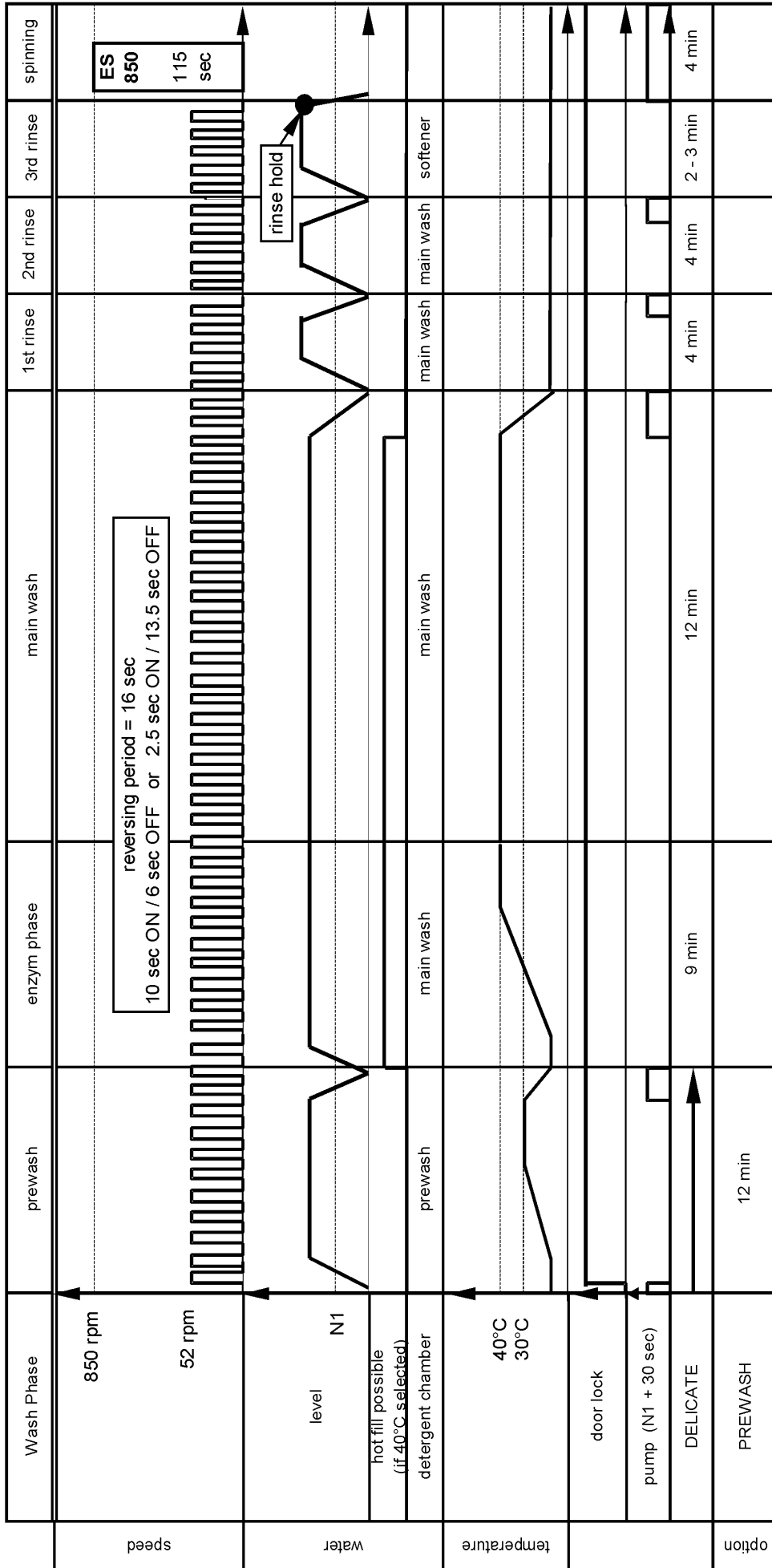


Program chart

4619 752 35041

Wash Cycle of DELICATE

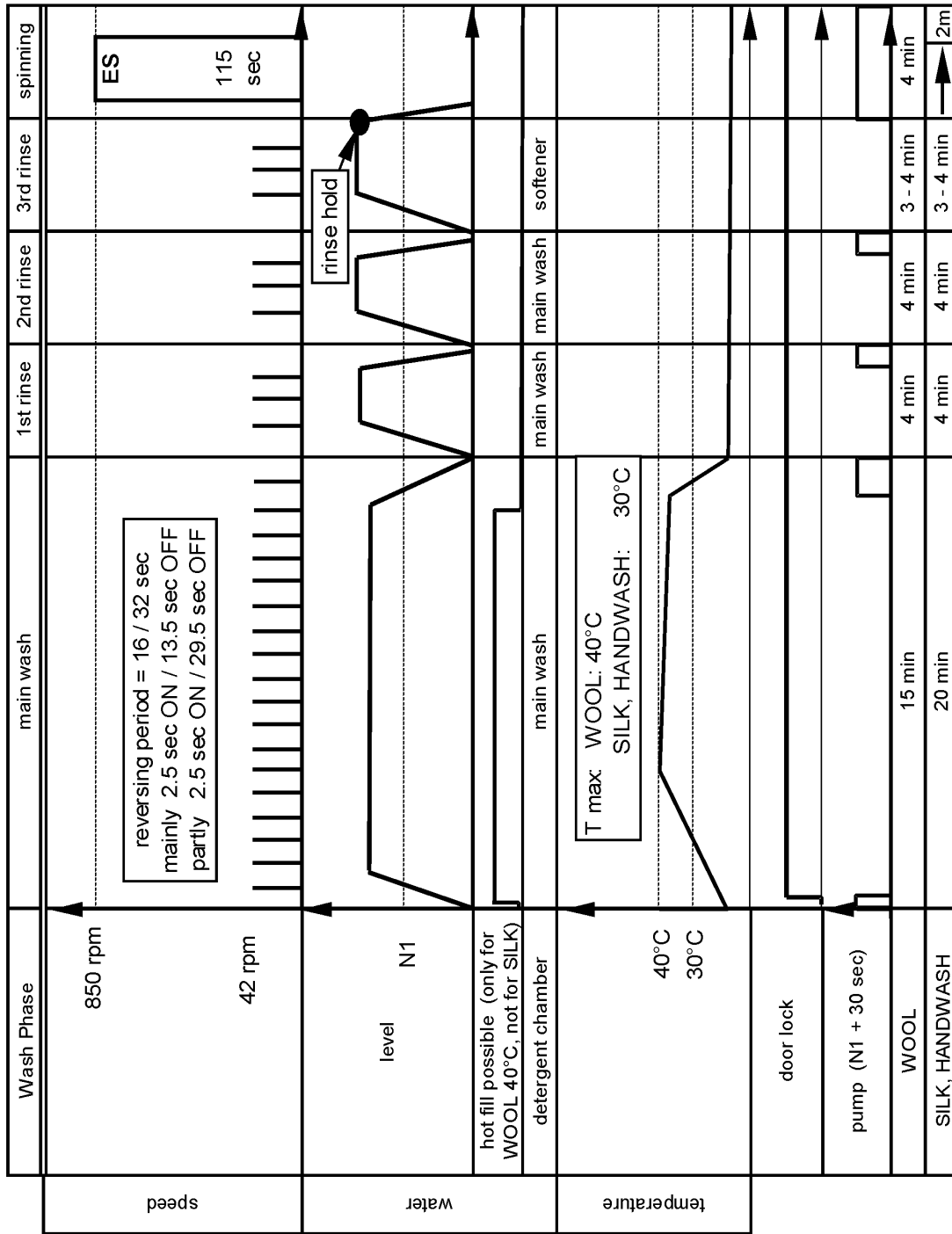
TATRY ALPHA



Program chart

4619 752 35041

Wash Cycles of WOOL, SILK and HANDWASH



Program chart

4619 752 35041

Spinning Profiles

TATRY ALPHA

