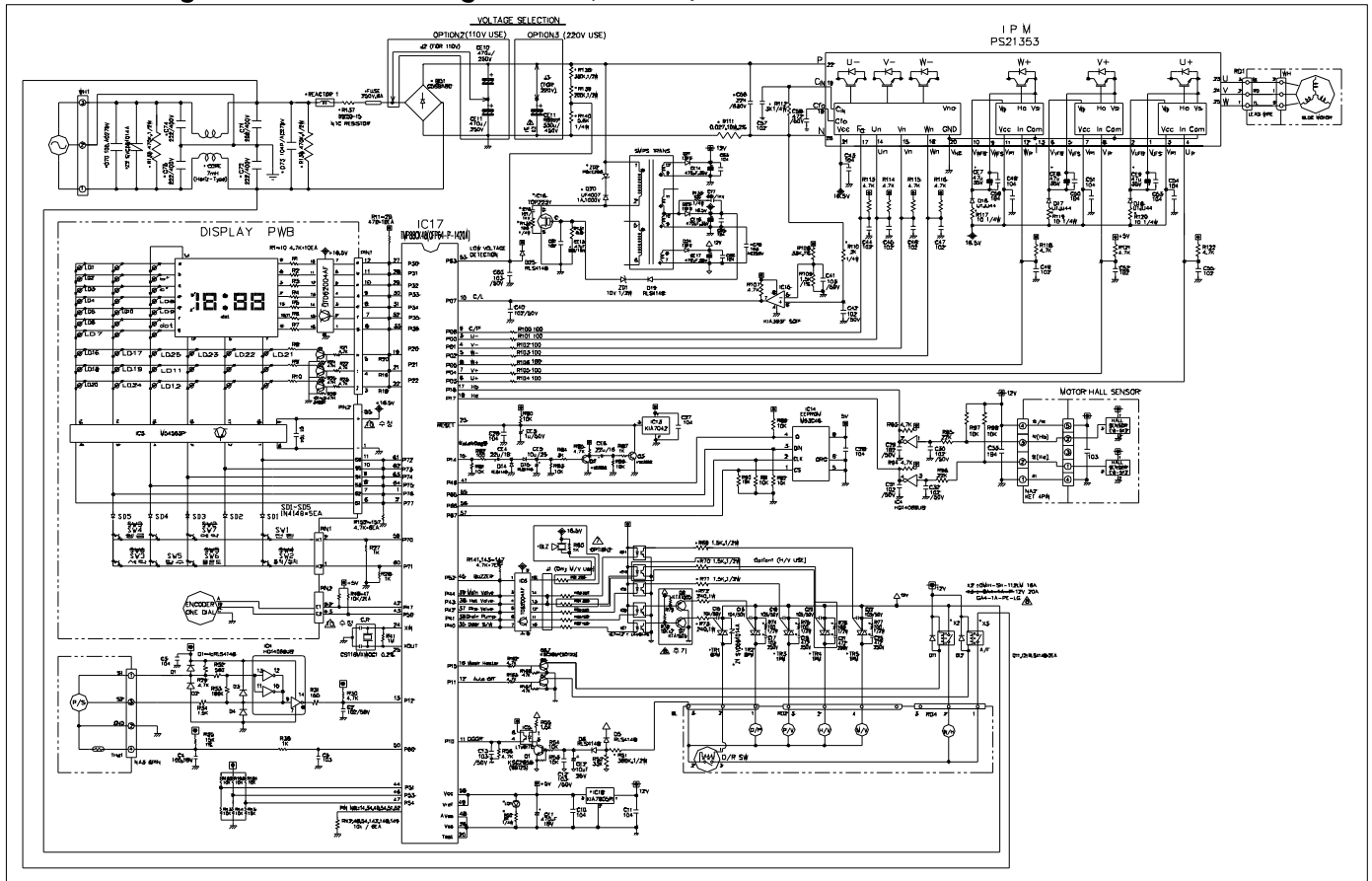


## 7. Main Part information - Main Controller

### 4. Circuit diagram of Front loading washer(For DD)



#### 4-1. Photograph of Controller (For Direct Drive Inverter)

