

I - ENTER/EXIT SERVICE MODE

1.1. Accessing Service Mode

- A) Switch the TV set into the Standby Mode.
- B) Switch off Power Supply.
- C) Switch on Power supply whilst pressing the magenta "TEXT" key continuously until TV set switch on and enter service mode.

1.2. Page selecting

Press 1,2,...8 or 9 key of the RCU to enter page 1,2,...8 or 9 of Service Mode.

1.3. Navigation:

- Press "Up" and "Down" key to select option;
- Press "Left" and "Right" key to adjust or select option.
- All change in service mode will be saved in EEPROM automatically

1.4 Temporary exit from Service Mode

- Press "9" key and select MODE 1.
- Set D-MODE to "Direct key enter enable" .
- Press "OK" KEY on the RC to exit or access to service menu.

1.5. Exiting from Service Mode

- Press "OK" KEY on the RC.

Note : Before exiting from Service mode check that D-MODE is set to "Direct key enter disable" (see 1.4).

1.6. Brief introduction on some special modes

1.6.1. Aging Mode

It is used before set alignment and should operate in Service mode;
 The TV set cannot enter standby after 15 minutes when no signal if the "AGING" Mode is selected.
 Press blue "GUIDE" Key, the Aging Mode will be entered when "Aging Mode" is shown on screen.
 Press blue "GUIDE" key again will exit "Aging Mode".

1.6.2. Vertical Stop mode

- it is used to adjust the screen voltage.
- Press red "PRESETS" key and repress "PRESETS" (red) key to exit.

1.6.3. White balance alignment mode

- Press "EXIT" key on factory RCU, The set will display " BUS OPEN ", which means the I2C bus from the CPU to other UOC3 module and ICs had been released. This is only used during automatic adjustment of white balance.
- Press other key will exit " BUS OPEN ".

1.6.4. Reset

- Initialization before the set will took away from factory.
- In factory mode, press "INFO" (P<P) key, then "RESET" will be shown.
- Press "ZOOM+", "BUSY" will be shown.
- Initialization will be finished until "BUSY" disappear.

U03C00C 1.8 2005.07. 20-01

ADR0	01111010	ADR1	01010000
ADR2	10000010	ADR3	00011110
AFC	00000000	RG	00110111
GG	10110111	BG	00110111

DEFL	00001111	DISC	128
LAST	NV : 1878		
ERR:	00000000		
REV:	882204		

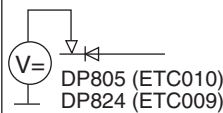
II . FLOW OF ALIGNMENT PROCEDURE

- 1) B+ Adjustment
- 2) RF AGC Adjustment
- 3) Crystal Oscillator Frequency Adjustment
- 4) Screen & Focus adjustment
- 5) Sub-color adjustment
- 6) White balance adjustment
- 7) Sub-brightness adjustment
- 8) Picture Geometric adjustment
- 9) Reset TV set

III - ALIGNMENT PROCEDURE

Notes: - Alignment should be done after 3 minutes warm up of TV .

3.1. B+ VOLTAGES

B+ Voltage	ETC009: VR801	Standard TV - Settings : ☀️+🌐+🌑=50% TV to AV1 : Black test pattern		CRT type	B+ Voltage
	ETC010: - (no alignment)			IRICO A36CPAA 00X02	108V +/- 0.5V
				TTD A51ELD 032X004	112V +/- 0.5V
				LGPD A51ERS 357X440 (SLIM)	108V +/- 0.5V
				ZHONGHUA CHA34AGT13X53	108V +/- 0.5V
				TTD ELM021X001	130V +/- 1.5V
				TTD W76ELC011X001	132.5V +/- 1.5V

3.2. RF AGC

3.2.1. Method 1

- 1) Input 60dB PAL BG , with half-Color Bar signal
- 2) Press key "2" to enter page 2 of factory mode (Fig.1)
- 3) Select RF AGC with " up " or " down " key. .
- 4) Press "ZOOM- "(left) and " ZOOM+ " (light) key until the hint display just change from "Inactive" to "active".)
- 5) Adjust AGCL for SECAM L /L' same as the PAL.

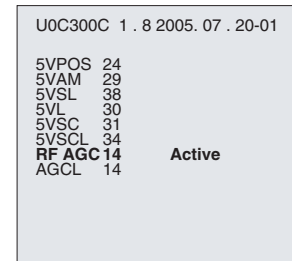
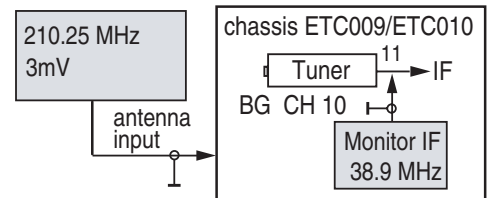


Fig.1

page 2

3.2.2. Method 2

- 1) Apply RF signal of 210.25MHz (BG CH 10) modulated with color bar at 3mVmx to Tuner input
- 2) Tune to CH10
- 3) Go to factory mode, entry page 2 (Fig.1) & set "RF AGC" to 00 (max IF output).
- 4) Monitor 38.9MHz IF frequency response at Tuner pin11 with spectrum analyzer by using high impedance probe or equivalent.
- 5) Increase RF AGC control until IF frequency response 8 +1/-2 d B down from maximum.



3.3. CRYSTAL OSCILLATOR FREQUENCY

Notes: - If TV had NICAM function, we recommend to adjust crystal with NICAM.

3.3.1. Crystal oscillator frequency adjustment with NICAM

- a) Apply PAL BG NICAM signal with good reception quality.
- b) Enter factory mode, press "Vol -"(FORMAT) key , it will display " DCXOAUTO " , (Fig.2) then press "ZOOM+" (light) key to start auto adjust , when it displays "DCXOAUTO OK" , the adjust is finished .

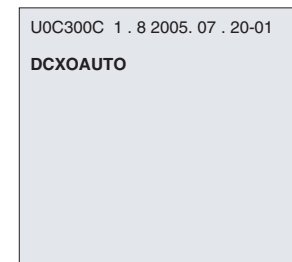


Fig.2

3.3.2. Crystal oscillator frequency adjustment without NICAM

(for software with UOC3 TDA12070/12072 only)

- a) Input PAL color bar signal.
- b) Enter factory mode, press "Vol -"(FORMAT) key , it will display " DCXOAUTO " , then press "ZOOM+" (light) key to start auto adjust , when it displays "DCXOAUTO OK" , the adjust is finished .

3.3.3. Crystal oscillator frequency adjustment without NICAM

- a) Input PAL color bar signal.
- b) In factory mode, press "0" to entry page 0 , (Fig.3). Adjust "DCXO CAP" until display " DISC " is steady at 128.

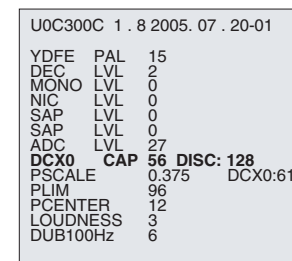
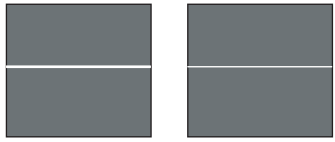
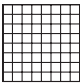
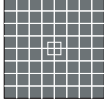


Fig.3

page 0

Notes: - Alignment below should be done after 15 minutes warm up of TV.

3.4. G2 & FOCUS

<p>U G2 Screen voltage adjustment</p>	<p>G2 potentiometer : SCREEN Focus-Block</p>	<p>Standard TV - Settings : ☀ + 🌐 + 🌑 = 50% TV to AV1 : Black test pattern</p>	<p>1- Press red "PRESETS" (Led) Key on the remote control and the screen will become a horizontal line, 2- adjust the "screen voltage" of the fly back transformer until the horizontal line can just be seen barely (minimum visible intensity).</p>	
<p>FOCUS</p>	<p>FOCUS VR Focus-Block</p>	<p>Standard TV - Settings : ☀ + 🌐 + 🌑 = 50%</p>	<p>TV to AV1 Test pattern</p> 	<p>Sharp picture</p> 

3.5. SUB COLOR

- Input NTSC Video pattern : AV
- Press key "4" : page 4. (Fig.4).
Measure at the CRT blue Cathode (Fig.5).
- Adjust COLC to make level a and d equal;
then TNTC to make level b and c equal;
- Input PAL color bar signal.
- Adjust COLP to make level of a,b,c,d equal ;
- Input SECAM color bar signal, and adjust COLS to make level of a,b,c,d equal.

U0C300C 1 . 8 2005. 07 . 20-01		
VOL	01	30
VOL	10	104
VOL	90	170
VOL	100	188
CNTC		31
BRTC		30
COLC		23
TNTC		35
COLP		3
COLS		23
SHPTV		32

Fig.4

page 4

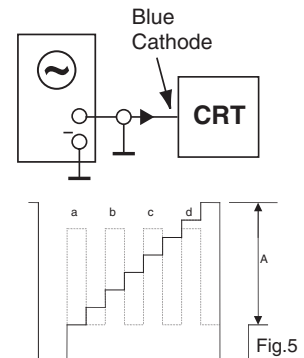


Fig.5

3.6. WHITE BALANCE

White Balance adjustment (neutral)

- Input RF Black and White pattern signal (PAL).
- Press "1" key to enter white balance adjustment (Page 1:Fig.6)
- Measure the dark side of the picture with a color analyzer.
Adjust RED and GRN until the data on the analyzer become $x=284 \pm 8$, $y=299 \pm 8$.
- Measure the bright side of the picture.
Adjust WPR, WPG and WPB until the data on the analyzer become $x=284 \pm 8$, $y=299 \pm 8$.
- Repeat step c and d until you get right white balance on both dark and bright side of the screen.
- Input RGB Black and White pattern signal (PAL).
- Measure the dark side of the picture with a color analyzer.
Adjust REDC and GRNC until the data on the analyzer become $x=284 \pm 8$, $y=299 \pm 8$.
- Measure the bright side of the picture.
Adjust WPRC and WPGC until the data on the analyzer become $x=284 \pm 8$, $y=299 \pm 8$.
- Input SECAM L Black and White pattern signal.
- Measure the dark side of picture with a color analyzer,
Adjust REDSECAM and GRNSECAM until the data on the analyzer become $x=284 \pm 8$, $y=299 \pm 8$.

U0C300C 1 . 8 2005. 07 . 20-01					
		WPR	26	GRNC	40
		WPG	29	WPRC	18
RED	31	WPB	31	WPGC	18
GRN	29	REDC	32	WPBC	15

page 1

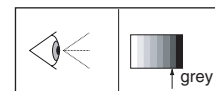


Fig.6

Warm color temperature

- Press green "LIST" key .
- item: Warm R ; Warm G ; Warm B : Factory adjust
- Check the item values are as shown opposite.

Alignment of Cool color temperature

- Press green "LIST" key.
- item: Cool R ; Cool G ; Cool B : : Factory adjust
- Check the item values are as shown opposite.

U0C300C 1 . 8 2005. 07 . 20-01		
Warm	R	10
Warm	G	10
Warm	B	10
Cool	R	10
Cool	G	10
Cool	B	10

3.7. SUB BRIGHTNESS

3.7.1. Sub brightness adjustment

- 1) Input eight steps gray signal.
- 2) Press key "4" to enter sub-brightness adjustment.
- 3) Adjust "BRTC" until the secondary gray bar just to be seen.(Fig.7).

U0C300C 1 . 8 2005. 07 . 20-01		
VOL	01	30
VOL	10	104
VOL	90	170
VOL	100	188
CNTC		31
BRTC		30
COLC		23
TNTC		35
COLP		3
COLS		23
SHPTV		32

page 4

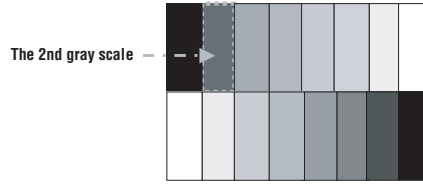


Fig.7

3.8 PICTURE GEOMETRY ADJUSTMENT

3.8.1. Vertical geometry items

- Press key "2" to enter Vertical geometry adjustment.

U0C300C 1 . 8 2005. 07 . 20-01		
5VPOS	24	
5VAM	29	
5VSL	38	
5VL	30	
5VSC	31	
5VSL	34	
RF AGC	14	Active
AGCL	14	

page 2

VERTICAL GEOMETRY ITEMS					
5VSL (V-Slope)			5VL (V-Linearity)		
5VAM (V-Amplitude)			5VSC (Vertical S-Correction)		
5VPOS (V-Position)			5VX* (Vertical Over scan)		

* According to Software

3.8.2. Horizontal geometry items

- Press key "3" to enter Horizontal geometry adjustment.

U0C300C 1 . 8 2005. 07 . 20-01		
5HSH	36	
5PAR	24	
5BOW	22	
5EWW	33	
5EWP	35	
5UCR	42	
5LCR	32	
5EWT	36	
5WBR	7	
5WBF	7	

page 3

HORIZONTAL GEOMETRY ITEMS					
5HSH* (H-Position)			5UCR (EW-Upper Corner)		
5PAR* (Parallelogram)			5LCR (EW-Lower Corner)		
5BOW* (Bow Adjust.)			5EWT (EW - Trapezium)		
5EWW (H-Amplitude)			5WBR**		End of Blanking
5EWP (Pincushion correct.)			5WBF**		Start of Blanking

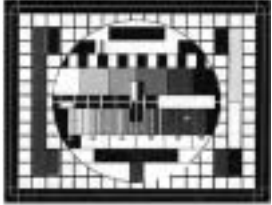


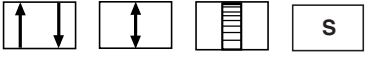

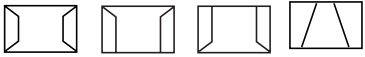
* Only valid for ETC009 except models with Slim CRT

** Only valid with 16:9 tubes

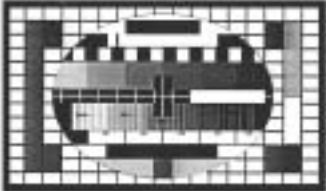




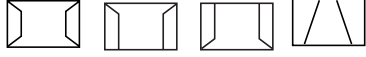
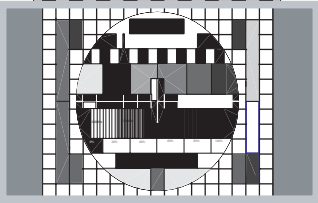
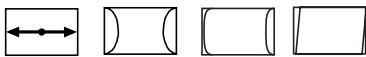
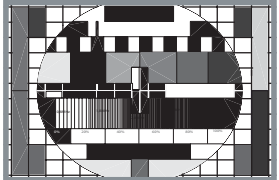

3.8.3. Adjustments

Signal : 4/3 test pattern - Cross hatch pattern (PAL or SECAM), NTSC signal to adjust NTSC geometry.

4/3 picture tube

<p>4 / 3 standard mode</p> 		<p style="text-align: center;">Overscan V=107% , H=107%</p> <p>Vertical adjustment : press "2" 1- Check the Factory adjust 5VSC = 31; Adjust Vertical Slope : 5VSL</p> <div style="display: flex; justify-content: center; align-items: center;">   </div> <p>2- Adjust Vertical Position (5VPOS) , Vertical amplitude (5VAM). 3- Adjust Vertical Linearity (5VL) and S correction</p> <div style="display: flex; justify-content: center; align-items: center;">  </div> <p>Horizontal adjustment : press "3" 1- Adjust Horizontal Position (5HSH) and Horizontal parallelogram (5PAR), 2- Adjust Horizontal Bow (5BOW) 3- Adjust Horizontal width (5EWW) and Pincushion correction (5LCR)</p> <div style="display: flex; justify-content: center; align-items: center;">  </div> <p>4 -Adjust EW Amplitude (5EWP) , EW Upper (5UCR) / Lower Corner (5LCR) 5 -Adjust Trapezium correction (5EWT)</p> <div style="display: flex; justify-content: center; align-items: center;">  </div>
--	--	---

16/9 picture tube

<p>16 / 9 standard mode</p> 		<p style="text-align: center;">Overscan V=107% , H=107%</p> <p>Vertical adjustment : press "2" 1- Check the Factory adjust 5VSC = 31; Adjust Vertical Slope : 5VSL</p> <div style="display: flex; justify-content: center; align-items: center;">   </div> <p>2- Adjust Vertical Position (5VPOS) , Vertical amplitude (5VAM). 3- Adjust Vertical Linearity (5VL) and S correction</p> <div style="display: flex; justify-content: center; align-items: center;">  </div> <p>Horizontal adjustment : press "3" 1- Adjust Horizontal Position (5HSH) and Horizontal parallelogram (5PAR), 2- Adjust Horizontal Bow (5BOW) 3- Adjust Horizontal width (5EWW) and Pincushion correction (5LCR)</p> <div style="display: flex; justify-content: center; align-items: center;">  </div> <p>4 -Adjust EW Amplitude (5EWP) , EW Upper (5UCR) / Lower Corner (5LCR) 5 -Adjust Trapezium correction (5EWT)</p> <div style="display: flex; justify-content: center; align-items: center;">  </div>
<p>4 / 3 centered</p> 		<p style="text-align: center;">Overscan V=107% , H=77%</p> <p>1 - Check the 16 / 9 standard mode geometry. 2 - Adjust H. width 77% (5EWW) and pincushion correction (5LCR) 3 - Adjust if necessary lower/upper corner (5UCR/5LCR) 4 - Adjust if necessary the Bow correction (5BOW) and parallelogram (5PAR).</p> <div style="display: flex; justify-content: center; align-items: center;">  </div> <p>5 - Adjust 5WBF 4/3 and 5WBR 4/3to make the castellation just un-visible.</p>
<p>14 / 9</p> 		<p style="text-align: center;">Overscan V=122% , H=90%</p> <p>1 - Check the 16 / 9 standard mode geometry. 2 - Adjust H. width 90% (5EWW) and pincushion correction (5LCR) 3 - Adjust if necessary lower/upper corner (5UCR/5LCR) 4 - Adjust if necessary the Bow correction (5BOW) and parallelogram (5PAR).</p> <div style="display: flex; justify-content: center; align-items: center;">  </div> <p>5 - Adjust 5WBF 14/9 and 5WBR 14/9 to make the castellation just un-visible.</p>

3.9 RESET TV

When all item alignment is finished, please make the TV to RESET as 1.4.4.

IV - FACTORY ALIGNMENT VALUES

KEY 1		KEY 2		KEY 3		KEY 4	
Item	Data	Item	Data	Item	Data	Item	Data
RED	32	5VPOS	32	5HSH	42	VOL 01	30
GRN	32	5VAM	23	5PAR	33	VOL 10	104
WPR	32	5VSL	28	5BOW	29	VOL 90	170
WPB	32	5VL	30	5EWW	39	VOL 100	188(ETC009 5W)
							194(ETC010 6W)
							176(ETC010,10W)
WPG	32	5VSC *	31	5EWP	34	CNTC	31(ETC009)
							21(for 14"15")
							31(ETC010)
REDC	32	5SCL	31	5UCR	46	BRTC	30
GRNC	32	RF AGC	22	5LCR	43	COLC	23
WPRC	32	AGCL	22	5EWT	26	TNTC	35
WPGC	32			5WBR	7	COLP	3
WPBC	32			5WBF	7	COLS	23
REDSECAM	32					SHPTV	32
GRNSECAM	32						

* No adjustable

V - SERVICE MODE VALUES

5.1 Analog control adjustment

Press key "5" to enter analog adjustment.

KEY 5		
Item	Data	
	ETC009	ETC010
CNTX Max. Contrast value	63	63
CNTN Min. Contrast value	1	3
BRTX Max. Brightness value	63	63
BRTN Min. Brightness value	15	15
COLX Max. Color value	50	50
COLN Min. Color value	0	0
TNTX Max. Tint value	63	63
TNTN Min. Tint value	0	0
SHPX Max. Sharpness value	63	63
SHPN Min. Sharpness value	0	0

5.2 - Picture item adjustment

Press key "6" to enter analog adjustment.

Item	Data	
	ETC009	ETC010
CPFK PAL Peaking value	32	32
CFPEK PAL PAL peaking frequency & value	3.5M 143NS	3.5M 143NS
CFPEK NTS NTS peaking frequency & value	3.1M 160NS	3.1M 160NS
CFPEK YUV YUV peaking frequency & value	4.0M 125NS	4.0M 125NS
IFPL IF Offset	32	32
BBTC Base-band tint control (phase U,V signal)	32	32
PGR Original value of R	55	55
PGG Original value of G	55	55
PGB Original value of B	55	55
ON VAM (depends on tube)	3 (depends on tube)	0
VG2BRI Brightness of V line when adjust G2	20	20
HDOL RGB drive gain.	3	4

5.3 - OSD Position adjustment

Press key "7" to enter analog adjustment.

Item	Data
OSD BRI OSD brightness	8
CC BRI Teletext brightness	5
5CCD H Position for Teletext	11
5CCD V Position for Teletext	40
5OSD H OSD H position	9
5OSD V OSD V position	32
5MENU V Menu V. position	55
5MENU H Menu H. position	10

ETC009 - ETC010

5.4 - Option adjustment

Press key "8" to enter Option adjustment.

U0C300C 1 . 8 2005. 07 . 20-01	
OP01	00001110
OP02	10000100
OP03	00010011
OP04	00000000
OP05	00100111
OP06	00001011
OP07	11000011
OP08	00000000
OP09	00001100
OP010	00110000

Item	Data
OP01	00001110
OP02	10000100
OP03	00010011
OP04	00000000
OP05	00100111 (10100111 for TDA12070/12072/H/N1F00)
OP06	00001011 (00000100 for TDA12070H/N1F00)
OP07	11000011
OP08	00000000
OP09	00001100
OPT010	00110000

Fig.8

Bit 7 00001110 Bit 0

Check the bytes values. They indicate the configuration of the chassis and are given for information only. The default values are indicated in the follow table.

- Choose the item Op01 ,Op02 ... by pressing **up/down** key.
- Access to the selected Option adjustments by pressing "**Left**" or "**Right**" key

OP01

U0C300C 1 . 8 2005. 07 . 20-01	
FMWS0/1	450kHz
AGN	6dB
AGC0/1	Normal
AVLM	Normal gain
CMCA	Stereo mode
MAT	Adapted to standard

OP01 : default value : **00001110**

Bit 0 - Bit 1 : FMWS0/1 (Band width FM; 10: 450kHz)
 Bit 2 : AGN (Audio output amplitude; 1: +6dB gain)
 Bit 3-Bit 4 : AGC0/1 (AGC time content selection; 01: Normal)
 Bit 5 : AVLM (Gain for analog FM decoder; 0: Normal gain)
 Bit 6 : CMCA (stereo/mono- 0: stereo 1: mono)
 Bit 7 : MAT (Y,U,V to RGB matrix selection - 0:adapted to standard).

OP02

U0C300C 1 . 8 2005. 07 . 20-01	
MUS	japanese matrix
CB	FSC
CHSE0/1	-37dB
CL0	4.29MHz
DTR	single chroma trap
SDC	Duty cycle 55:45
HC0	EHT tracking on vertical and EW

OP02 : default value : **10000100**

Bit 0 : MUS (Y,U,V to RGB matrix selection).
 Bit 1 : CB (Select. for center of chroma band; 0: Fsc)
 Bit 2-Bit 3 : CHSE0/1 (Sensivity of color killer; 01: -37dB)
 Bit 4 : CL0 (center frequency of SECAM bell filter; 0: 4.29MHz)
 Bit 5 : DTR (Dual Chroma trap; 0: single chroma trap) .
 Bit 6 : SDC (Hor. drive pulse width; 0: Duty cycle 55:45).
 Bit 7 : HC0 (EHT tracking only vertical or vertical and EW).

OP03

U0C300C 1 . 8 2005. 07 . 20-01	
MVK	Macro vision key active
FBC	off with fix beam current
EVB	Norman vertical blanking
SLG	280uA
ACL	Not active
IFS	Normal
GD L I	No group correction

OP03 : default value : **00010011**

Bit 0 : MVK (Macro Vision Keying; 1: active).
 Bit 1 : FBC (switch-off with blanked RGB outputs or fixed beam current)
 Bit 2 : EVB (normal Vert. picture or extended vertical blanking)
 Bit 3-Bit 4 : SLG0-SLG1 (selection of AKB black current; 10: 280uA)
 Bit 5 : ACL (control the ratio of chroma/color burst; 0: Not active).
 Bit 6 : IFS (IF sensitivity; 0: Normal).
 Bit 7 : GDLI (group correction/group delay correction switch for L and I.
 0: No group correction).

OP04

U0C300C 1 . 8 2005. 07 . 20-01	
FFI	Normal time constant
BPB	Normal operation
BPB2	bandpass filter
SSL	50%
FSL	dependent on noise detector
No use	OFF

OP04 : default value : **00000000**

Bit 0 : FFI (IF PLL lock time constant, used for over modulation).
 Bit 1 : BPB (sound bandpass - filter for mono 0: Normal operation).
 Bit 2 : BPB2 (stereo band pass - filter for stereo/dual 0: active).
 Bit 3 : SSL (slice level of Hor. syn. Pulse; 0: 50%).
 Bit 4 : ACL (slice level of Vert. syn. Pulse; 0: dependant on noise detector).
 Bit 5,6,7 : No use

OP05

U0C300C 1 . 8 2005. 07 . 20-01

VAI	Amplitude 12%
VA0/VA1	Amplitude +5%
FC0	OFF
VG2 MODE	LIGHT LINE
DSS	Normal operation
DSG	0dB

OP05 : default value : **00100111**

Bit 0	: VAI (gain correction; 0: no correction 1: +12% PAL I).
Bit 1-Bit 2	: VA0/VA1 (IF CVBS output amplitude correction; 10: +5%).
Bit 3	: OFB (Offset control on Red and Blue channel).
Bit 4	: FCO (force color on when bad signal, color killer not active).
Bit 5	: VG2 MODE (0:OSD indication 1:Line).
Bit 6	: DSS (0: normal operation 1: LCD / Pscan)
Bit 7	: DSG (audio output selection amplitude; 0: 0dB)

OP06

U0C300C 1 . 8 2005. 07 . 20-01

DCXOMUX	Nicam
QSS	QSS Amp active
FMI	Output conn to QSS0
NICAM	ON
RPA0/1	1:1
RP00/1	1:1

OP06 : default value : **00001011**

Bit 0	: DCXOMUX (0:P3DCX0 TDA12070/12072/without NICAM 1: NICAM).
Bit 1	: QSS (validation QSS amplifier; 1: active).
Bit 2	: FMI (connexion QSS AMP output to SSD module or sound PLL demodulator; 0: Output conn to QSS0).
Bit 3	: NICAM (NICAM selection; 1: ON)
Bit 4-Bit 5	: RPA0 /1 (00)
Bit 6-Bit 7	: RPO0/1 (00)

OP07

U0C300C 1 . 8 2005. 07 . 20-01

PWL	3
SOC0/1	0% above PWL
PWL ON	PWL circuit active
GD BG DK	Group delay correction

OP07 : default value : **11000011**

Bit 0-1-2-3	: PWL (peak white limit; default : 3)
Bit 4-Bit 5	: SOC0/1 (% above PW level; 00: 0% above PWL).
Bit 6	: PWL ON (activation of the peak white limiting circuit; 1: active)
Bit 7	: GD BG DK (activation of the Group delay correction; 0: group correction)

OP08

U0C300C 1 . 8 2005. 07 . 20-01

No use	OFF
--------	-----

OP08 : default value : **00000000**

Bit	: OFF (No use)
-----	----------------

OP09

U0C300C 1 . 8 2005. 07 . 20-01

AFG	False
TYUV1	False
BPBS	True
CLF	True
BWYC	False
CBPS	False
SLD	False
OSB	False

OP09 : default value : **00001100**

Bit 0	: AFG (AFC measurement; 0: AFC False)
Bit 1	: TYUV1(Analog output selection for text; valid if TYUV0=1)
Bit 2	: BPBS (Enable bypass of sound filter at stereo mode)
Bit 3	: CLF (Comb filter diode clamp; set to1)
Bit 4	: BWYC (Bandwidth of anti aliasing filter at YC mode of 3.58MHz systems; 0: False)
Bit 5	: CBPS (Internal chroma bandpass filter mode; 0: False)
Bit 6	: SLD (Sleep mode detector status; 0: sleep enabled, False)
Bit 7	: OSB (width of Burstkey; 0: False burstkey=3.52us)

OP10

U0C300C 1 . 8 2005. 07 . 20-01

BKC	False
TYUV0	False
QDT	False
TCCON	True
TCI2X	True
TXTS	False
Blue SCN	False

OP10 : default value : **00110000**

Bit 0	: BKC (Internal burst key position; 0: False normal position)
Bit 1	: TYUV0 (TXT/CC output selection; 0: False, RGB format)
Bit 2	: QDT (Q values of Second chroma trap; 0: False)
Bit 3	: FBC1 (Fixed beam current during switch off; 0: False, 1mA)
Bit 4	: TCCON (Top sync. clamp control; 1: True , active)
Bit 5	: TCI2X (Top sync. clamp time constant; 1: True)
Bit 6	: TXTS (TXTS Mode : TEXT source; 0: False TXT from CVBS)
Bit 7	: Blue SCN (Blue screen with no signal; 0: False)

5.5 - Mode adjustment

Press key "9" to enter Mode adjustment.

U0C300C 1 . 8 2005. 07 . 20-01	
MODE 1	00110101
MODE 2	10010111
MODE 3	00000000
MODE 4	11111101
MODE 5	11000000
MODE 6	10001100
MODE 7	01110010
MODE 8	00101000
MODE 9	11001000
MODE 10	00100000

Item	Data
MODE 1	010110100
MODE 2	10011111 (10011011 for TDA12070/12072 without L standard)
MODE 3	00000000
MODE 4	11111101
MODE 5	01000000
MODE 6	10001100
MODE 7	01110010
MODE 8	00000000
MODE 9	11001000
MODE 10	00110000

Bit 7 00001110 Bit 0

Check the bytes values. They indicate the configuration of the chassis and are given for information only. The default values are indicated in the follow table.

- Choose the item MODE 1 ,MODE 2 ... by pressing **up/down** key.
- Access to the selected MODE adjustments by pressing "**Left**" or "**Right**" key

MODE 1

U0C300C 1 . 8 2005. 07 . 20-01	
D-MODE	Direct Key enter disabled
AV OUT	Always TV
NO SIG.	Mute when no signal
MUTE AV0	Don't mute AV-Out
NI ADISP	OFF
SEARCH	Fast
TUNER CP	OFF
TXT FIN	OFF

MODE1	: default value : 10110100
Bit 0	: D-MODE (Direct enter D-mode (Service mode) with "OK" key 0:enable 1:disable)
Bit 1	: AV OUT (0: Always TV - 1: Follow source)
Bit 2	: No Signal (0: Demute when no signal - 1 mute when no signal)
Bit 3	: MUTE AV0 (Mute AV-out)
Bit 4	: NI ADISP (1: Nicam auto detection OSD display enable)
Bit 5	: SEARCH (Auto search speed setting)
Bit 6	: TUNER CP (CP bit selection of tuner)
Bit 7	: TXTFIN (TXT fine tuning selection)

MODE 2

U0C300C 1 . 8 2005. 07 . 20-01	
SOUND DK	ON
SOUND BG	ON
SOUND M	OFF
DEF SND	BG
MAX PROG	100 Prog
AUTO SND	Request auto sound

MODE 2	: default value : 10011111
Bit 0	: SOUND DK (depends on requirement)
Bit 1	: SOUND BG (depends on requirement)
Bit 2	: SOUND L (or I)* (depends on requirement)
Bit 3	: SOUND M (or I)* (depends on requirement)
Bit 4 - Bit5	: DEF SOUND (00: DK; 01: BG; 10: I; 11:M)
Bit 6	: MAX PROG. (0: 100, 1:200 (no used))
Bit 7	: AUTO SND (Request auto sound detect when auto searching (0: Don't request 1: request auto sound))

* according models

MODE 3

U0C300C 1 . 8 2005. 07 . 20-01	
DBB/DVB	DVB
AVL	OFF
Tilt	OFF
COMBFILT	OFF
VM	OFF
Secam	OFF
SuperRec	OFF

MODE 3	: default value : 00000000
Bit 0-Bit 1	: DBB/DVB (Woofer 00:DVB; 01:DB; 10: Woofer, 11:OFF)
Bit 2	: AVL (0: OFF)
Bit 3	: Tilt (0: OFF)
Bit 4	: COMB (Comb filter : 0: OFF)
Bit 5	: VM (0:OFF)
Bit 6	: SECAM (0:OFF)
Bit 7	: SUPERREC (0:OFF)

MODE 4

U0C300C 1 . 8 2005. 07 . 20-01	
IF Freq	38.9MHz
AV1	ON
AV2	ON
AV3	ON
S-VIDEO1	ON
S-VIDEO2	ON
RGB	ON

MODE 4	: default value : 11111101
Bit 0-Bit 1	: IF FREQ (00:45.75MHz; 01:38.9MHz; 10: 38MHz)
Bit 2	: AV1 (1:ON) (depends on requirement)
Bit 3	: AV2 (1: ON) (depends on requirement)
Bit 4	: AV3 (1: ON) (depends on requirement)
Bit 5	: S-VIDEO1 (1: ON) (depends on requirement)
Bit 6	: S-VIDEO2 (1: ON) (depends on requirement)
Bit 7	: RGB (1: ON) (depends on requirement)

MODE 5

U0C300C 1 . 8 2005. 07 . 20-01

RADIO	OFF
EQ BAR	Equalizer Bar
BCFCHECK	ON

MODE 5 : default value : **01000000**

Bit 0,1,2,3,4 : No use
Bit 5 : Radio (FM Radio 0:OFF)
Bit 6 : EQ BAR (User menu display (0: bass & Treble; 1:Equalizer)
Bit 7 : BCF CHEK (Beam current protection 1:ON)

MODE 6

U0C300C 1 . 8 2005. 07 . 20-01

POWER	ON	Power On
MUTE	PIC	ON
HCT		ON
DURATION		8

MODE 6 : default value : **10001100**

Bit 0 - Bit 1 : Power ON (Power on status 00:ON, 01:standby, 10 last status)
Bit 2 : MUTE PIC (Mute picture when changing channel; 1:ON)
Bit 3 : HCT (High Contrast for OSD; 1:ON)
Bit 4,5,6,7 : DURATION (mute time when changing channel; default 8)

MODE 7

U0C300C 1 . 8 2005. 07 . 20-01

16:9TUBE	OFF
XRAY V	1.9V
XRAY T	750ms
4:3 OSVE	ON
DOLBY	OFF

MODE 7 : default value : **01110010**

Bit 0 : No use
Bit 1 - Bit 2 : X-RAY V (Detection voltage for X-ray protection; 01:1.9V)
Bit 3 - Bit 4 : X-RAY T (Detect. time for X-ray protection; 10: 750ms)
Bit 5 : No use
Bit 6 : 4:3 OSVE (selection of vertical over scan; 1:ON)
Bit 7 : DOLBY (selection of DOLBY; 1:ON)

MODE 8

U0C300C 1 . 8 2005. 07 . 20-01

VMA	ST off
SVM	ST 50ns
SPR	ST 0/-3/-3

MODE 8 : default value : **00101000**

Bit 0-Bit 1 : VMA (Amplitude of SVM output ; 00 : ST OFF)
Bit 2,3,4 : SVM (Delay of RGB to SVM output; 010 : ST 50ns)
Bit 5,6,7 : SPR (Parabola on SVM output; 001 : 0/-3/-3)

MODE 9

U0C300C 1 . 8 2005. 07 . 20-01

VMA	WK off
SVM	WK 50ns
SPR	WK -6/-3/-0

MODE 9 : default value : **11001000**

Bit 0-Bit 1 : VMA (WEAK status 00: OFF)
Bit 2,3,4 : SVM (WEAK status 010: 50ns)
Bit 5,6,7 : SPR (WEAK status 110: -6/-3/-0)

MODE 10

U0C300C 1 . 8 2005. 07 . 20-01

SVMA	600mVpp
CRA0	8%
TXTLV	0
COFF	False
No use	OFF

MODE 10 : default value : **00100000**

Bit 0 : SVMA (SVM output signal ; 0 : 600mVpp)
Bit 1 : CRA0 (adjusted to 8% - Bit 1 = 0)
Bit 2,3 : TXTLV (Scavem on TXT ampl.; 10: 1000mVpp)
Bit 4 : COFF (adjusted to False - Bit 4= 0)
Bit 5,6,7 : No use

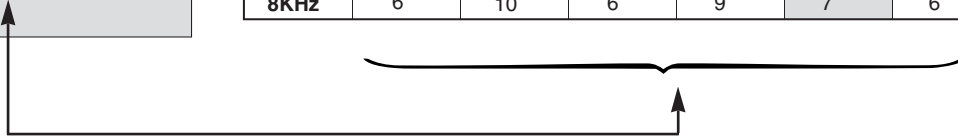
VI - TEXT KEY

Press the "Text" key and check the item values are as shown below.

Text key menu according to equalizer presetted in sound menu: ie "Standard"

U0C300C 1 . 8 2005. 07 . 20-01	
BASS	S 16
TREBBLE	S 16
100Hz	S 6
300Hz	S 9
1Khz	S 8
3Khz	S 6
8Khz	S 7

KEY TEXT (change item in sound menu / Equalizer)						
Item	Data					
	FL (Flat)	M (Music)	V (Voice)	F (Film)	S (Standard)	P (Perso..)
BASS	12	24	24	16	16	12
TREBLE	20	24	16	24	16	20
100HZ	6	7	6	7	6	6
300Hz	6	9	9	8	9	6
1KHz	6	6	9	6	8	6
5KHz	6	8	9	6	6	6
8KHz	6	10	6	9	7	6



VII - "PR-" / "0" KEYS

Press the "PR-" then "0" key and check the item values are as shown below.

"PR-" KEY

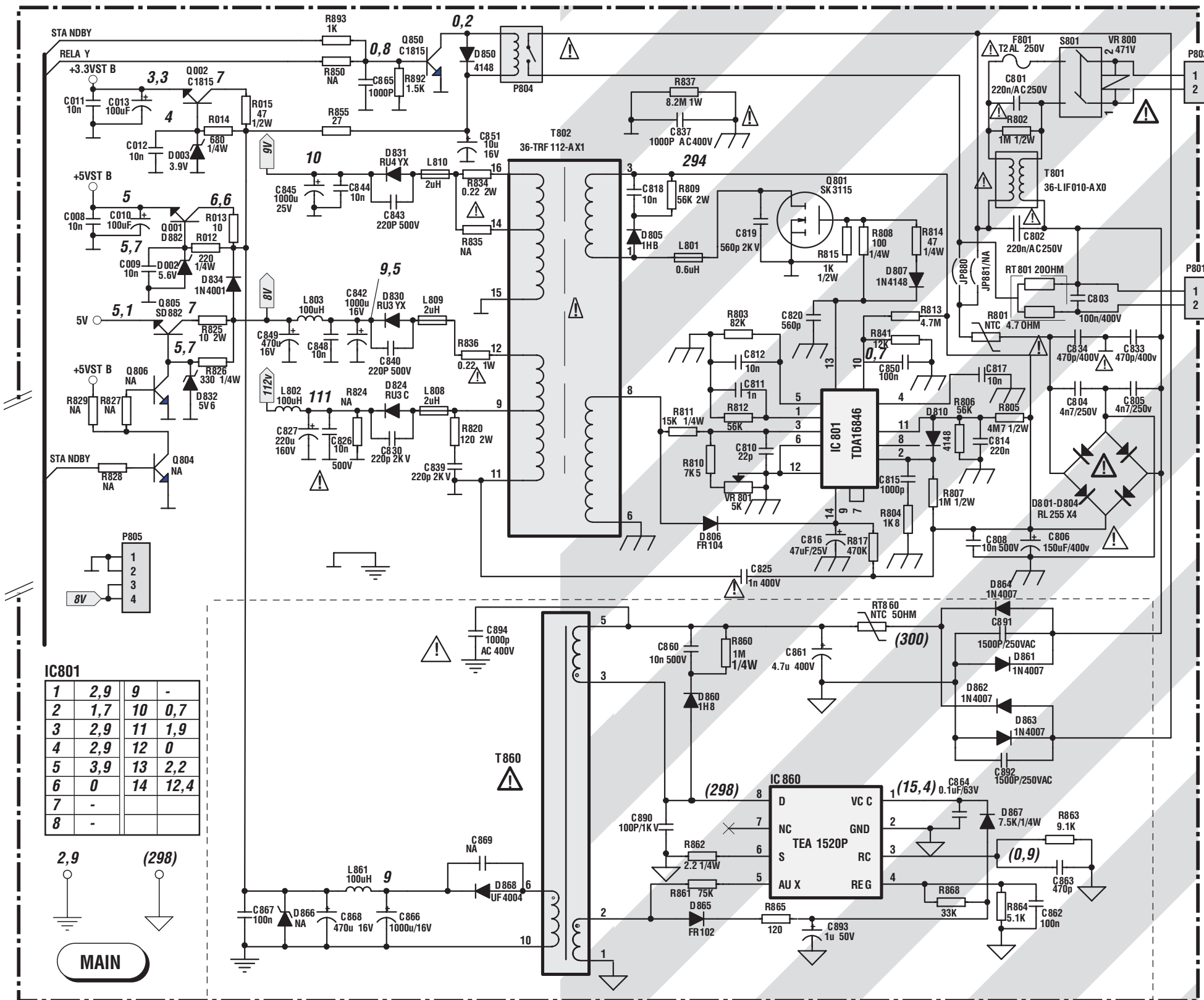
U0C300C 1 . 8 2005. 07 . 20-01	
SET P1	147MHz
SET P2	423MHz
DATA VL	00000001
DATA VH	00000010
DATA UF	00001000
SPE POS1	00000000
SPE DATA	00000000
SENSI ON	00000000
SENSI OFF	00000000

"0" KEY


U0C300C 1 . 8 2005. 07 . 20-01	
YDFE PAL	15
DEC LVL	2
MONO LVL	0
NIC LVL	0
SAP LVL	0
ADC LVL	27
DCX0 CAP	56 DISC:127
PSCALE	0.375 DCX0:56
PLIM	96
PCENTER	12
LOUDNESS	3
DUB100Hz	6

MAIN SCHEMATIC DIAGRAM - SCHEMA DE LA PLATINE PRINCIPALE - SCHALTBILD HAUPTPLATINE - SCHEMA DELLA PIASTRA PRINCIPALE- ESQUEMA DE LA PLATINA PRINCIPAL


(MAIN BOARD 1/4) / ETC009

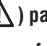



Note :
 Power Supply primary circuit measurements.
 - Use only (⚡ or ⚡) connection point.
 Attention :
 Mesure dans la partie primaire de l'alimentation
 - Utiliser la masse du bloc alimentation (⚡ ou ⚡).
 Achtung :
 Bei Messungen im Primärnetzteil
 - Primärnetzteilmasse verwenden (⚡ oder ⚡).
 Attenzione :
 misure nell'alimentatore primario
 - usare massa alimentazione primario (⚡ o ⚡).
 Cuidado :
 Medida en el bloque de alimentacion
 - Utilizar la masa del bloque de alimentacion (⚡ o ⚡).


 Part of board connected to mains supply.
 Partie du châssis reliée au secteur.
 Primärseite des Netzteils.
 Parte dello telaio collegata alla rete.
 Parte del chasis conectada a la red.


 Use isolating mains transformer
 Utiliser un transformateur isolateur du secteur
 Einen Trenntrafo verwenden
 Utilizzare un trasformatore per isolarvi dalla rete
 Utilizar un transformador aislador de red

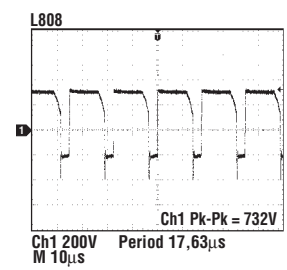
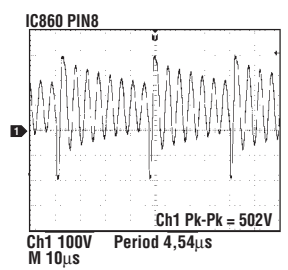
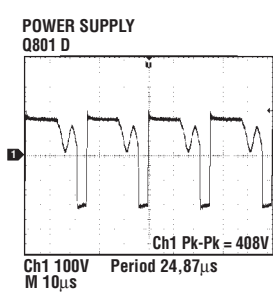
 Indicates critical safety components, and identical components should be used for replacement. Only then can the operational safety be guaranteed.

Le remplacement des éléments de sécurité (repérés avec le symbole ) par des composants non homologués selon la Norme CEI 65 entraine la non-conformité de l'appareil. Dans ce cas, la responsabilité du fabricant n'est plus engagée.

Wenn Sicherheitsteile (mit dem Symbol ) gekennzeichnet durch nicht normgerechte Teile ersetzt werden, erlischt die Haftung des Herstellers.

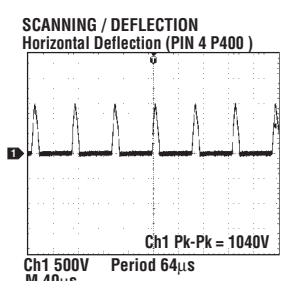
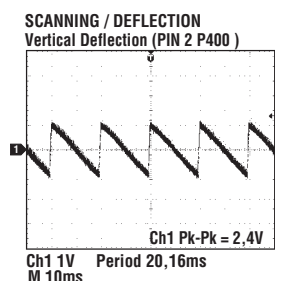
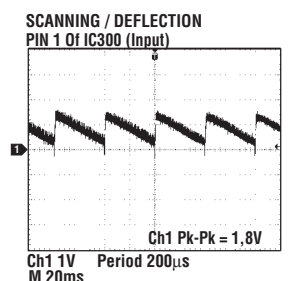
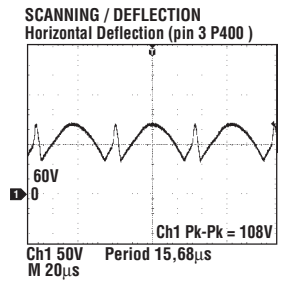
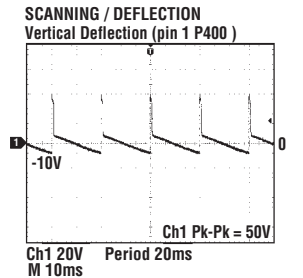
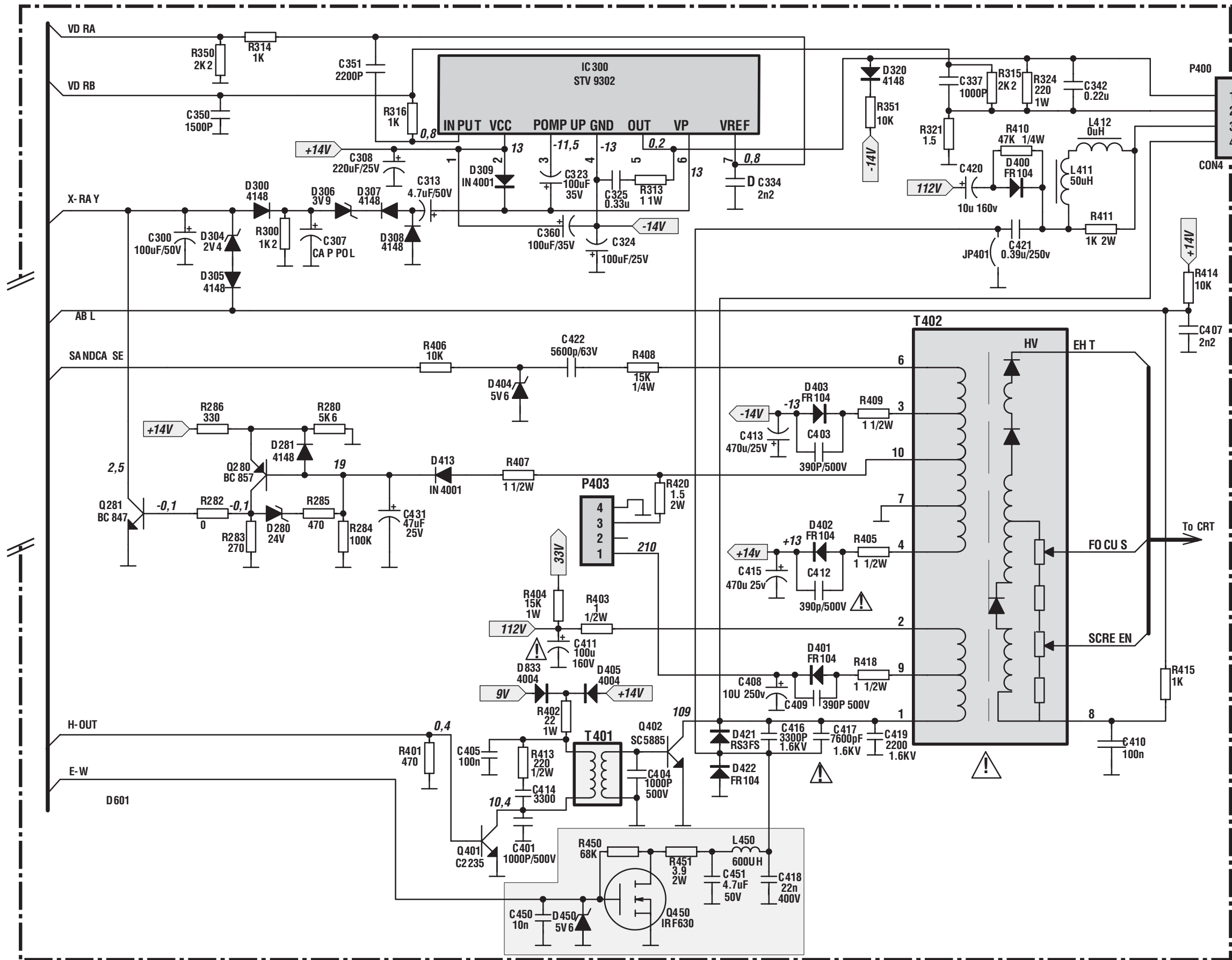
La sostituzione degli elementi di sicurezza (marcati con il segno ) con componenti non omologati secondo la norma CEI 65 comporta la non conformità dell'apparecchio. In tal caso é "esclusa la responsabilità" del costruttore.

La substitución de elementos de seguridad (marcados con el simbolo ) por componentes no homologados según la norma CEI 65, provoca la no conformidad del aparato. En ese caso, el fabricante cesa de ser responsable.



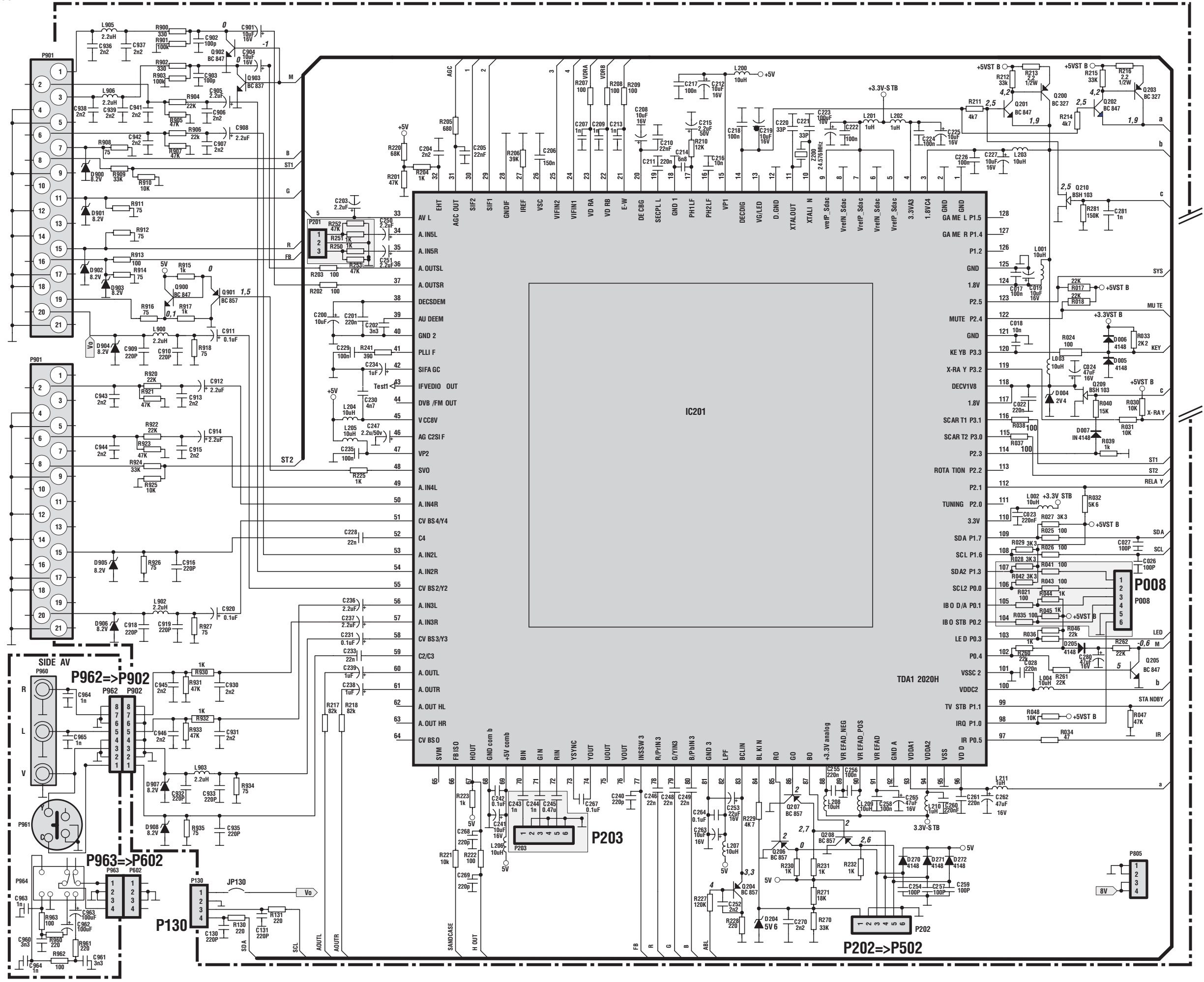
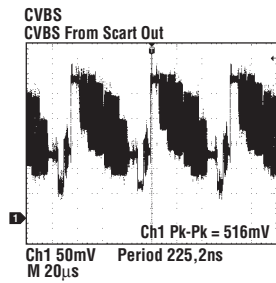
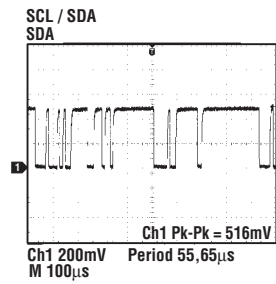
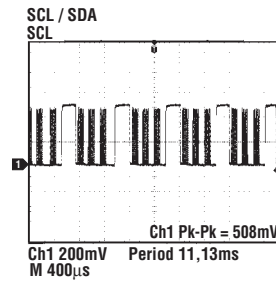
MAIN SCHEMATIC DIAGRAM - SCHEMA DE LA PLATINE PRINCIPALE - SCHALTBILD HAUPTPLATINE - SCHEMA DELLA PIASTRA PRINCIPALE- ESQUEMA DE LA PLATINA PRINCIPAL

(MAIN BOARD 2/4) / ETC009



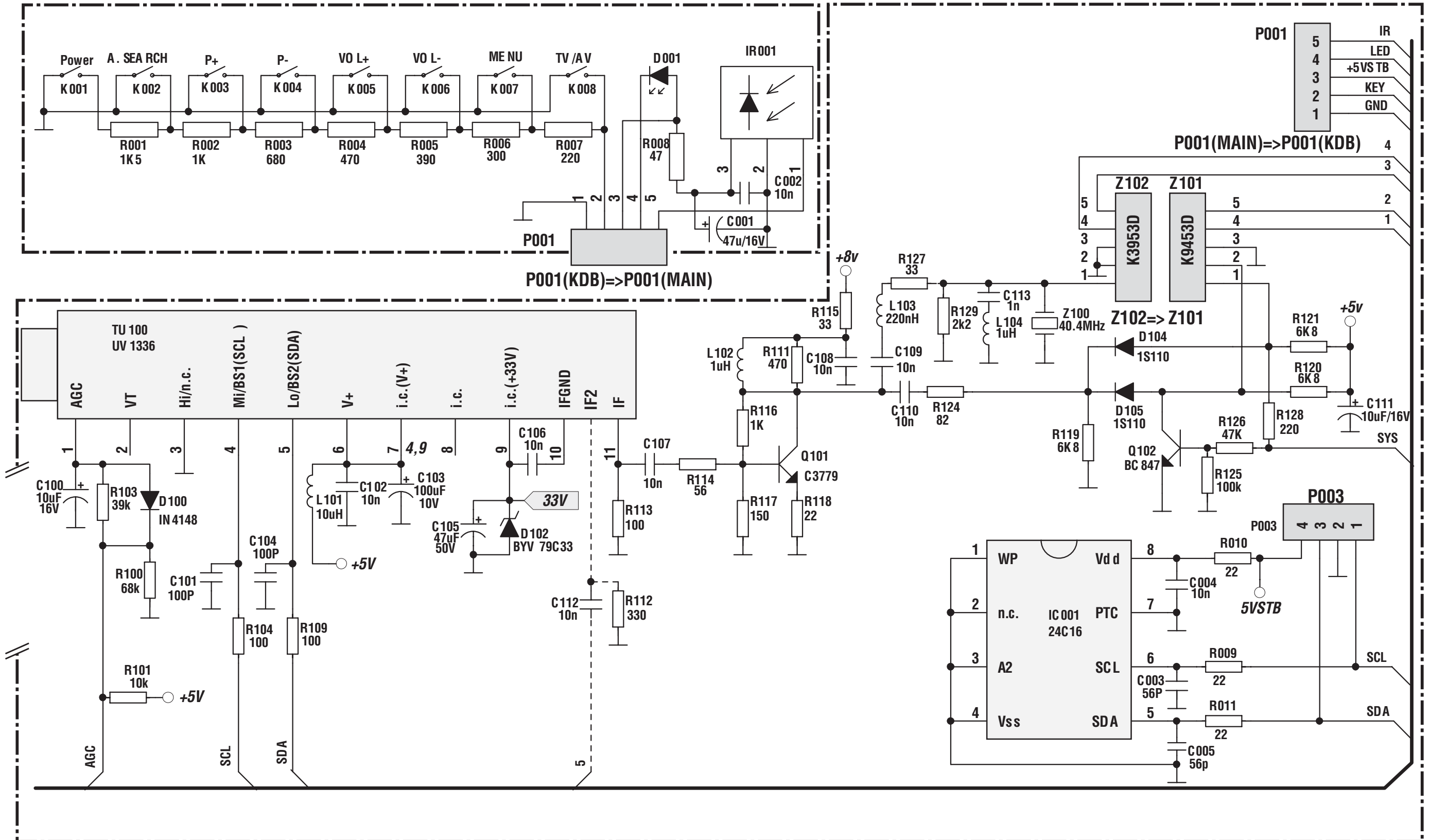
MAIN SCHEMATIC DIAGRAM - SCHEMA DE LA PLATINE PRINCIPALE - SCHALTBILD HAUPTPLATINE - SCHEMA DELLA PIASTRA PRINCIPALE- ESQUEMA DE LA PLATINA PRINCIPAL

(MAIN BOARD 3/4) / ETC009

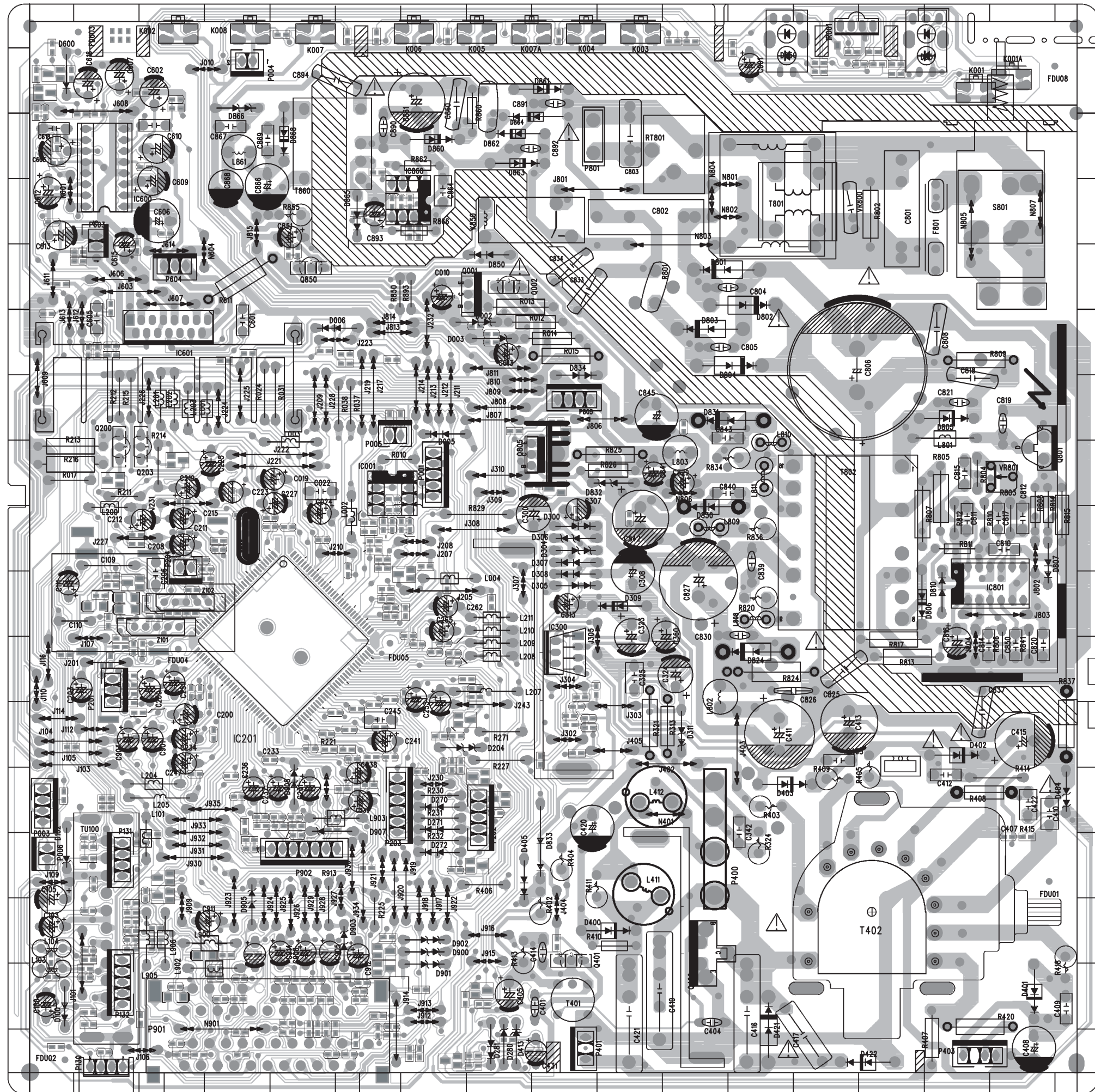


MAIN SCHEMATIC DIAGRAM - SCHEMA DE LA PLATINE PRINCIPALE - SCHALTBIKD HAUPTPLATINE - SCHEMA DELLA PIASTRA PRINCIPALE- ESQUEMA DE LA PLATINA PRINCIPAL

(MAIN BOARD 4/4) / ETC009

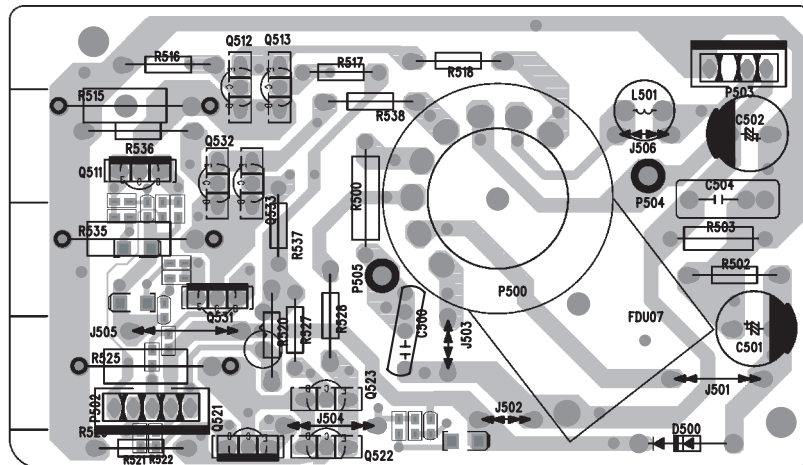


MAIN BOARD - PLATINE PRINCIPALE - CHASSIS GRUNDPLATTE - PIASTRA PRINCIPALE - PLATINA PRINCIPAL
COMPONENT SIDE - COTE COMPOSANTS - BESTÜCKUNGSSEITE - LATO COMPONENTI - LADO COMPONENTES



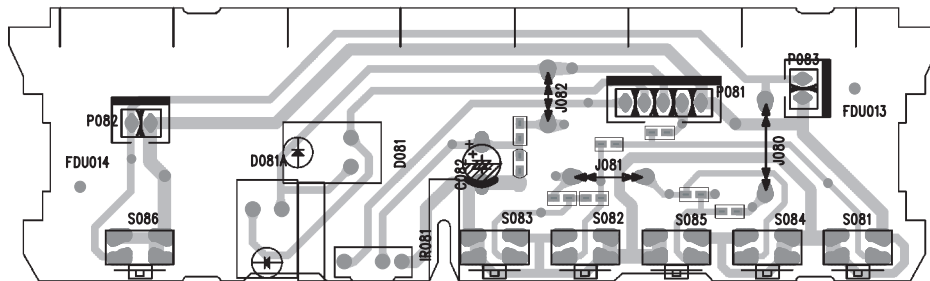
**VIDEO AMPLIFIER BOARD - PLATINE AMPLIFICATEURS VIDEO -
VIDEOVERSTÄRKERPLATTE - PIASTRA AMPLIFICATORE VIDEO -
PLATINA AMPLIFICADOR VIDEO**

COMPONENT SIDE - COTE COMPOSANTS - BESTÜCKUNGSSEITE - LATO COMPONENTI - LADO COMPONENTES



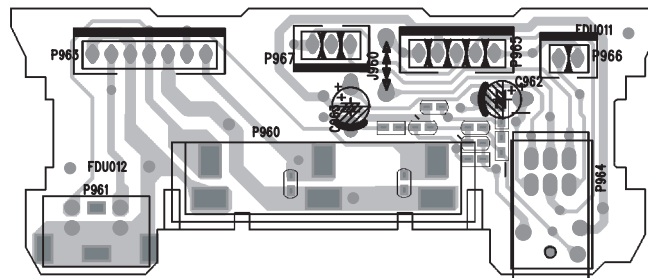
KB

COMPONENT SIDE - COTE COMPOSANTS - BESTÜCKUNGSSEITE - LATO COMPONENTI - LADO COMPONENTES



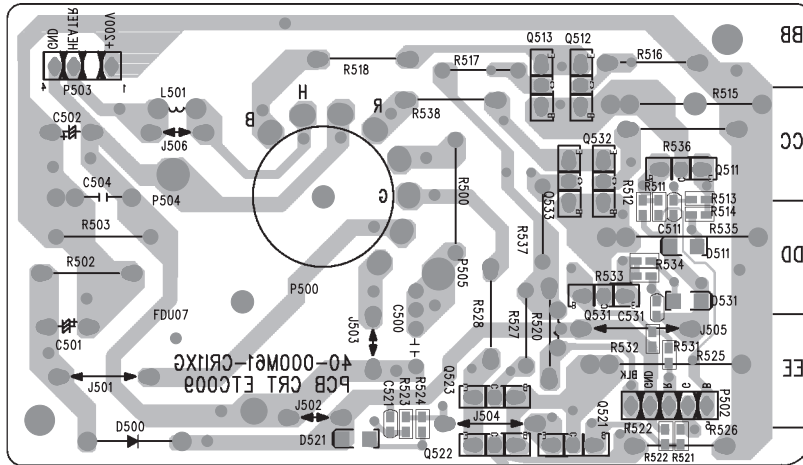
AV

COMPONENT SIDE - COTE COMPOSANTS - BESTÜCKUNGSSEITE - LATO COMPONENTI - LADO COMPONENTES



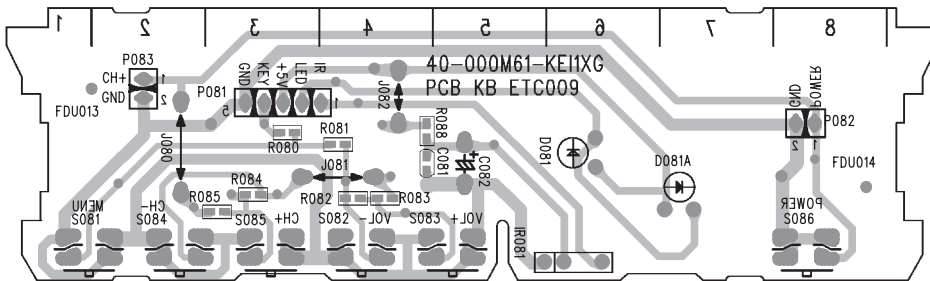
**VIDEO AMPLIFIER BOARD - PLATINE AMPLIFICATEURS VIDEO -
 VIDEOVERSTÄRKERPLATTE - PIASTRA AMPLIFICATORE VIDEO -
 PLATINA AMPLIFICADOR VIDEO**

SOLDER SIDE - COTÉ CUIVRE - LÖTSEITE - LATO SALDATURE - LADO DEL COBRE



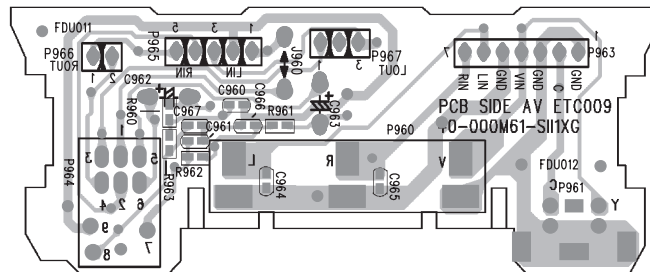
KB

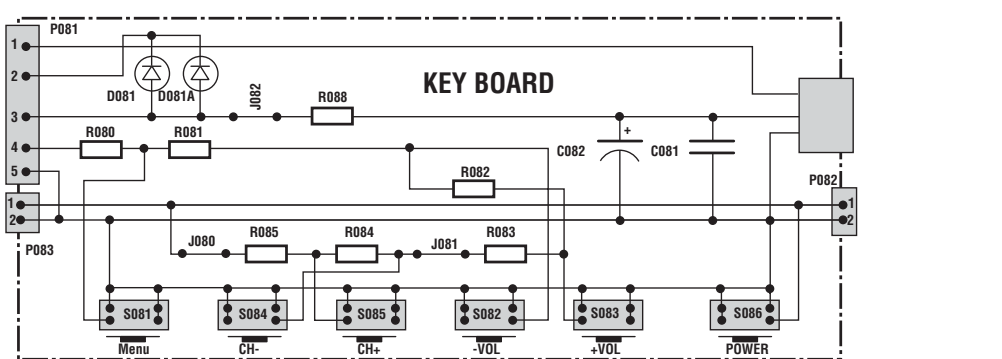
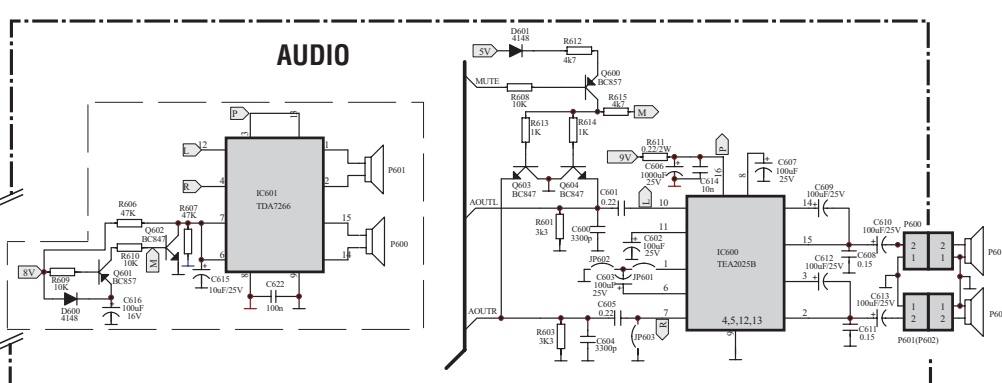
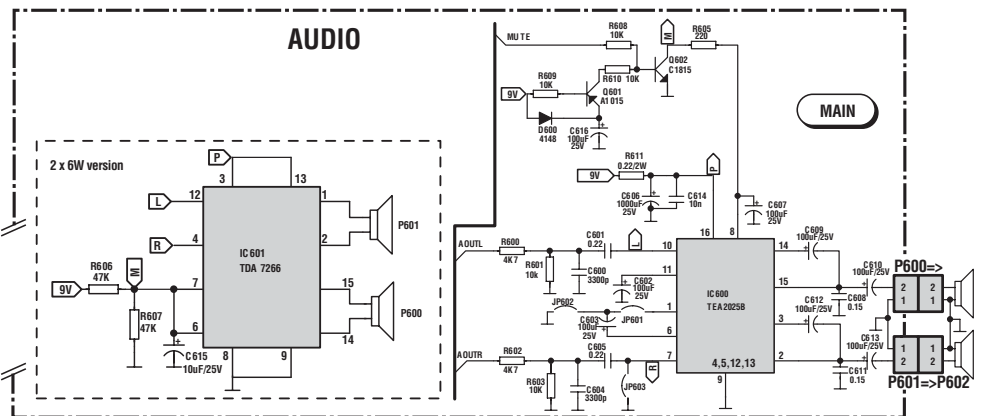
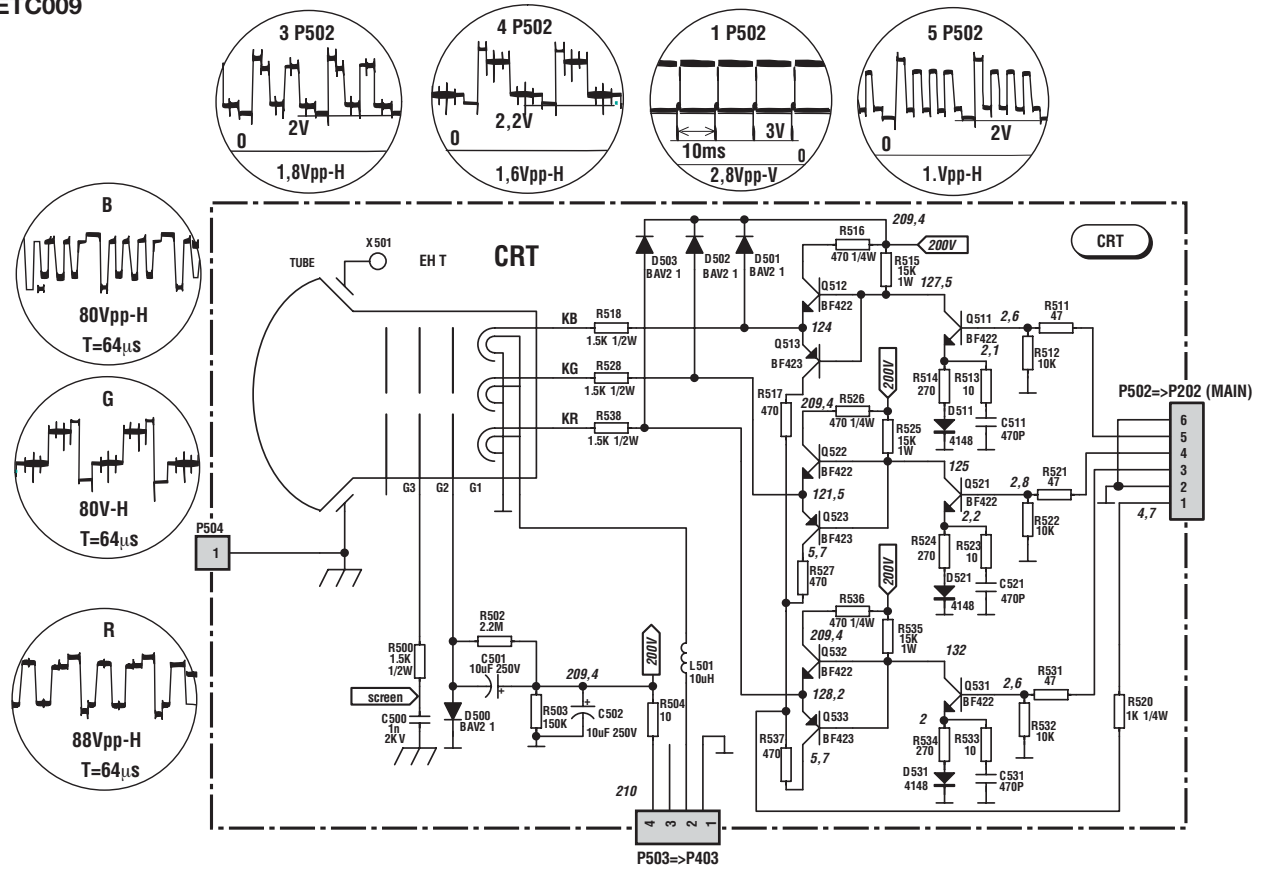
SOLDER SIDE - COTÉ CUIVRE - LÖTSEITE - LATO SALDATURE - LADO DEL COBRE



AV

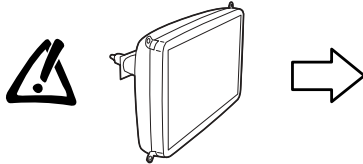
SOLDER SIDE - COTÉ CUIVRE - LÖTSEITE - LATO SALDATURE - LADO DEL COBRE





PARTS LIST
LISTE PIECES DETACHEES
ERSATZTEILLISTE
LISTA PARTI DI RICAMBIO
LISTA DE PIEZAS DE REPUESTO

THOMSON
21DM182T
Chassis ETC009



A51ELD032X004	▷	Version 1 : 21DM182T1
A51QDJ420X08	▷	Version 2 : 21DM182T2

21MD182T Version 1

MODULES

MAIN	ETC009 T8-D5571J-MA1	56062190
CRT	CRT T8-D5571J-CR1	56062090
FCB	FCB T8-D5571J-S11	56062270
KB	KB T8-D5571J-KE1	56062120



IC001	M24C16-WBN6	20977300
IC201	TDA12020H/N1F00 UOC3 R=Y	56286960
IC300	STV9302B	60211650
IC601	TDA7266SA	35892060
IC801	TDA16846-2	60130550
IC860	TEA1520P	56043080
IR081	HRM533AA5100 (RIR)	21427450



Q001,805	2SD2012 3A 60V R=Y	56089530
Q002,850	2SC1815Y	20508030
Q102,201,202,281,602,900,902,903	BC847C SMD	90618810
Q200,203	BC327-40	16000450
Q204,205	BC857A SMD	35849760
Q206,207,208,280,601,901	BC857C SMD	50854389
Q401	BC639	16001240
Q402	2SC5885	21428060
Q511,521,531	3DA4544 300V R=Y	56124540
Q512,522,532	BF422	16003090
Q513,523,533	BF423	16003110
Q801	2SK2996	35853760



D002,204,404,832	BZX79C5V6 0,50W	56036960
D003,306	BZX79C3V9 0,50W	16518650
D005,006,100,270,271,272,281,300,305,307,308,600,807,810,850	1N4148	44009209
D081	FB205 LED	35853860
D102	BZX79C33V 0,50W	35923130
D104,105,106	BA982-GS08 SMD	35849800
D280	BZX79C24V 0,50W	56039590
D304	BZX79C24V 0,50W	16518640
D309,413,834	1N4001 50V/1A R=Y	36038140
D400	1N4002	11070780
D401,402,403,806	FR104	20569370
D405,833	1N4004	11073460
D500	BAV21	44044407
D511,521,531	LL4148 SMD	16012450
D801,802,803,804	RL255 R=Y	60145840
D805,860	1H8 R=Y	60129950
D824	RU3C	35853580
D831	BYW29-200 DIODE	16009090
D861,862,863,864	1N4007	16008210
D865	FR102 1A 100V R=Y	56039650
D868	UF4004/16 400V	35861820
D900	BZX79C8V2 0,50W	35853620
D901,902,903,905,907	BZX79C6V2 1/2W 5%	35907120
D904,906	ZMM5.6 2% SMD	10291310
Z101	33M9HZ K9453D FOS	20992100
Z102	37M4HZ K3953-D100 R=Y FOS	35849850
Z200	24M576HZ	60141410



L001,002,003,004,101,200,203,204,205,207,208,209,210	10UH 10%	60141070
L202,211	10UH 10%	60134230
L412	150UH	35854600
L801	0,6UH 10%	60141090
L802,803,861	100UH	35854430
VR801	5K0 OHM	35854100
R313	1R0 OHM 1W	35854050
R321	1R5 5% OHM 2W	35853940
R403,405,409,418	0R22 OHM 5% 0,50W R=Y Δ	56062000
R411	1K2 OHM 5% 2W	10134060
R420	1R0 OHM 5% 2W Δ	35005850
R500	1K5 OHM 5% 0,50W	10121880
R515,525,535	15K0 OHM 5% 3W	60132260
R611	0R22 OHM R% 2W R=Y	35854070
R801	4R7 OHM NTC R=Y Δ	35849450
R802,807	1M0 OHM 5% 0,50W Δ	56042190
R805,813	4M7 OHM 5% 0,50W Δ	35923310
R809	56K0 OHM 10% 2W	10151270
R824	22K0 OHM 5% 3W R=Y	35923290
R825	6R8 OHM 5% 2W	90576570
R834,836	0R22 OHM 5% 2W R=Y Δ	35923280
R837	8M2 OHM 5% 1W Δ	56044040
RT801	20R0 20% OHM PTC R=Y Δ	35883440
RT860	5R0 OHM NTC R=Y Δ	35923480
VR800	D15H471 VDR Δ	35849460

VERSION 1 09 / 2005 35997810
 VERSION 2 03 / 2006

Lead Free
 Sans Plomb
R=Y
 ohne blei
 senza cavo
 sin plomo

For any requests, please contact THOMSON after sales europe area
 Pour toutes précisions, contactez votre service apres vente local THOMSON service europe
 Für weitere Auskünfte, wenden Sie sich bitte an die THOMSON sales europe Kundendienst
 Per precisazioni, contattare l'assistenza tecnica THOMSON sales europe
 Para cualquier pregunta, por favor contactar con el responsable de zona del servicio postventa de THOMSON sales europe



C206	150N0F 5% 100V	35854380
C401,404	1N0F 10% 500V	35854180
C403,409,412	390PF 10% 500V	60133270
C411	100U0F 20% 160V	35854130
C414	3N3F 10% 500V	35854190
C416	12N0F 5% 1K6V	△ 35923190
C420	10U0F 20% 160V	35854120
C421	330N0F 250V	△ 35854290
C500	1N0F 2K0V	14034870
C601,605	220N0F 20% 16V	30935550
C801,802	220N0F 20% 275V	△ 30745000
C803	100N0F 400V	35854390
C804,805	4N7F 10% 400V	△ 35854250
C806	150U0F 20% 400V	35854140
C808,826,860	10N0F 500V	35854200
C818	10N0F 20% 2KV	35923320
C819	560P0F 20% 2KV	35923330
C821	220P0F 5% 2KV	△ 35892350
C830	330P0F 2KV	35854230
C833,834	470P0F 10% 400V	△ 35849510
C837	1N0F 20% 250V	10660790
C839	100P0F 20% 2K0V	14006310
C840,843	220P0F 10% 500V	35851650
C890	100P0F 10% 1K0V R=Y	56045640
C891,892	1N5F 10% 2KV	△ 16517220
C894	1000P0F 20% 400V	△ 35849500



L411	50UH	60147540
T401	BCT-1012A DRIVER	35923200
T402	FBT BSC25-052T	△ 56044410
T801	36M0H R=Y	△ 35923380
T802	BCK-3578	△ 35923390
T860	BCK-1917A	△ 35923510

**OTHER PARTS
AUTRES PIECES
SONSTIGE TEILE
ALTRE PARTI
OTRAS PIEZAS**

CJ125	CABLE WITH CONNECTOR 2 PINS 500MM CABLE AVEC CONNECTEUR 2 VOIES 500MM KABEL MIT VERBINDER 2 PINS 500MM CAVO CON CONNETTORE 2 SPINOTTI 500MM CABLE CON CONECTOR 2 PUNTOS 500MM	25419710
F801	2AT 250V TIME-LAG FUSE 2AT 250V FUSIBLE TEMPORISE 2AT 250V SICHERUNG 2AT 250V FUSIBILE TEMPORIZZATO 2AT 250V FUSIBLE TEMPORIZADO	△ 48029300

K850	SMIT-SH-105PM RELAY SMIT-SH-105PM RELAIS SMIT-SH-105PM RELAIS SMIT-SH-105PM RELE SMIT-SH-105PM RELE	△ 35923400
P500	CATHODE RAY TUBE SOCKET SUPPORT TUBE CATHODIQUE BILDROEHRENFASSUNG SUPPORTO TUBO CATODICO SOPORTE T.R.C	△ 35923070
P901	SCART SOCKET R=Y PRISE PERITEL R=Y EURO-AV-BUCHSE R=Y EUROPRESA NORMALIZZATA R=Y EUROCONNECTOR R=Y	36038220
P960	CINCH SOCKET WH-RD-YE PRISE CINCH WH-RD-YE CINCH-BUCHSE WH-RD-YE PRESA CINCH WH-RD-YE TOMA CINCH WH-RD-YE	56120450
P964	JACK SOCKET PRISE JACK JACK-BUCHSE PRESA JACK TOMA JACK	△ 21428320
S081,082,083, 084,085,086	MICROSWITCH MICRO CONTACTEUR MIKROSCHALTER MICROINTERRUPTORE MICROCONTACTOR	35923100
TU100	TEDE9-284A TUNER TEDE9-284A TETE TEDE9-284A TUNER TEDE9-284A TUNER TEDE9-284A SINTONIZADOR	50094920

**EQUIPMENT/PRESENTATION
EQUIPEMENT/PRESENTATION
AUSSTATTUNG/GEHAUSE
PARTI VARIE
EQUIPO/PRESENTACION**

FRONT PANEL AL01TH	25821390
FAÇADE AL01TH	
FRONTPLATTE AL01TH	
PANNELLO FRONTALE AL01TH	
PANEL FRONTAL AL01TH	
DEGAUSSING COIL 2500MM	△ 60145110
BOBINE DEMAGNETISATION 2500MM	
ENTMAGNETISIERUNGSSPULE 2500MM	
BOBINA DI SMAGNETIZZAZIONE 2500MM	
BOBINA DE DESMANTACION 2500MM	
A51ELD032X004 CATHODE RAY TUBE	△ 56032330
A51ELD032X004 TUBE CATHODIQUE	
A51ELD032X004 FARBBILDROEHRE	
A51ELD032X004 TUBO CATODICO	
A51ELD032X004 T.R.C	
POWER SUPPLY LEAD 2700MM	△ 50076360
CORDON D'ALIMENTATION 2700MM	
NETZKABEL 2700MM	
CAVO DI ALIMENTAZIONE 2700MM	
CABLE DE ALIMENTACION 2700MM	
BUTTON ASSY CH10TH	25821410
ENSEMBLE DE TOUCHES CH10TH	
TASTENEINHEIT CH10TH	
ASSIEME TASTI CH10TH	
CONJUNTO DE TECLAS CH10TH	

CHASSIS SUPPORT	25791220
SUPPORT CHASSIS	
CHASSIS HALTER	
SUPPORTO CHASSIS	
SOPORTE CHASSIS	
REAR PANEL RGY49TH	△ 25790460
DOS RGY49TH	
RUECKWAND RGY49TH	
PANNELLO POSTERIORE RGY49TH	
TAPA POSTERIOR RGY49TH	
8R0 OHM 10W LOUSPEAKER 42X105MM	25737950
8R0 OHM 10W HAUT PARLEUR 42X105MM	
8R0 OHM 10W LAUTSPRECHER 42X105MM	
8R0 OHM 10W ALTOPARLANTE 42X105MM	
8R0 OHM 10W ALTAVOZ 42X105MM	
FCB SUPPORT RGY49TH	25726830
SUPPORT FCB RGY49TH	
FCB HALTER RGY49TH	
SUPPORTO FCB RGY49TH	
SOPORTE FCB RGY49TH	
LOGO THOMSON CHROME	25657790
LOGO THOMSON CHROME	
SCHRIFTZUG THOMSON CHROME	
MARCHIO THOMSON CHROME	
LOGOTIPO THOMSON CHROME	
CORD STOPPER	25307670
ATTACHE CORDON SECTEUR	
ZUGENTLASTUNG	
BRIDA CORDONE DI ALIMENTAZIONE	
SUJECION CABLE DE ALIMENTACION	
RC111TA1G REMOTE CONTROL	21282860
RC111TA1G TELECOMMANDE	
RC111TA1G FERNBEDIENUNG	
RC111TA1G TELECOMANDO	
RC111TA1G TELEMANDO	
FOLDING BOX	25722100
EMBALLAGE CARTON	
KARTON	
IMBALLAGGIO CARTONE	
EMBALAJE CARTON	
FITTING UPPER	25722080
CALE SUPERIEURE	
POLSTER OBEN	
DISTANZIATORE SUPERIORE	
CALZO SUPERIOR	
FITTING DOWNER	25722070
CALE INFERIEURE	
POLSTER UNTEN	
DISTANZIATORE INFERIORE	
CALZO INFERIOR	



ETC009/ETC010 UM	50094090
ETC009/ETC010 NU	
ETC009/ETC010 BA	
ETC009/ETC010 IU	
ETC009/ETC010 IU	
21DM182T PARTS LIST	35997810
21DM182T LISTE DE PIECES DETACHEES	
21DM182T ERSATZTEILLISTE	
21DM182T LISTA PARTI DI RICAMBIO	
21DM182T LISTA DE PIEZAS DE REPUESTO	

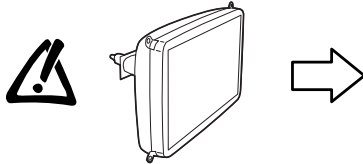
21DM182T

2/4

The description and characteristics given here are of informative significance only, and non committal. To keep up the high quality of our products, we reserve the right to make any changes or improvement without previous notice. • Les descriptions et caractéristiques figurant sur ce document sont données à titre d'information et non d'engagement. En effet, soucieux de la qualité de nos produits, nous nous réservons le droit d'effectuer, sans préavis, toute modification ou amélioration. • Die Beschreibungen und Daten in dieser Anleitung dienen nur zur Information und sind nicht bindend. Um die Qualität unserer Produkte ständig zu verbessern, behalten wir uns das Recht auf Änderungen vor. • Le descrizioni e le caratteristiche date su questo documento sono fornite a semplice titolo informativo e senza impegno. Ci riserviamo il diritto di eseguire, senza preavviso, qualsiasi modifica o miglioramento. • Las descripciones y características que figuran en este documento se dan a título de información y no de compromiso. En efecto, en bien de la calidad de nuestros productos, nos reservamos el derecho de efectuar, sin previo aviso, cualquier modificación o mejora.

PARTS LIST
LISTE PIECES DETACHEES
ERSATZTEILLISTE
LISTA PARTI DI RICAMBIO
LISTA DE PIEZAS DE REPUESTO

THOMSON
21DM182T
Chassis ETC009



A51ELD032X004 ▷ **Version 1 : 21DM182T1**
A51QDJ420X08 ▷ **Version 2 : 21DM182T2**

21MD182T Version 2

MODULES

MAIN	ETC009 T8-D5571J-MA2W	56306940
CRT	CRT T8-D5571J-CR1	56062090
FCB	FCB T8-D5571J-SI1	56062270
KB	KB T8-D5571J-KE1	56062120



IC001	M24C16-WBN6	20977300
IC201	TDA12020H/N1F00 UOC3 R=Y	56286960
IC300	STV9302B	60211650
IC601	TDA7266SA	35892060
IC801	TDA16846-2	60130550
IC860	TEA1520P	56043080
IR081	HRM533AA5100 (RIR)	21427450



Q001,805	2SD2012 3A 60V R=Y	56089530
Q002,850	2SC1815Y	20508030
Q102,201,202,281,602,900,902,903	BC847C SMD	90618810
Q200,203	BC327-40	16000450
Q204,205	BC857A SMD	35849760
Q206,207,208,280,601,901	BC857C SMD	50854389
Q401	BC639	16001240
Q402	2SC5885	21428060
Q511,521,531	3DA4544 300V R=Y	56124540
Q512,522,532	BF422	16003090
Q513,523,533	BF423	16003110
Q801	2SK2996	35853760



D002,204,404,832	BZX79C5V6 0,50W	56036960
D003,306	BZX79C3V9 0,50W	16518650
D005,006,100,270,271,272,281,300,305,307,308,600,807,810,850	1N4148	44009209
D081	FB205 LED	35853860
D102	BZX79C33V 0,50W	35923130
D104,105,106	BA982-GS08 SMD	35849800
D280	BZX79C24V 0,50W	56039590
D304	BZX79C2V4 0,50W	16518640
D309,413,834	1N4001 50V/1A R=Y	36038140
D400	1N4002	11070780
D401,402,403,806	FR104	20569370
D405,833	1N4004	11073460
D500	BAV21	44044407
D511,521,531	LL4148 SMD	16012450
D801,802,803,804	RL255 R=Y	60145840
D805,860	1H8 R=Y	60129950
D824	RU3C	35853580
D831	BYW29-200 DIODE	16009090
D861,862,863,864	1N4007	16008210
D865	FR102 1A 100V R=Y	56039650
D868	UF4004/16 400V	35861820
D900	BZX79C8V2 0,50W	35853620
D901,902,903,905,907	BZX79C6V2 1/2W 5%	35907120
D904,906	ZMM5.6 2% SMD	10291310
Z101	33M9HZ K9453D FOS	20992100
Z102	37M4HZ K3953-D100 R=Y FOS	35849850
Z200	24M576HZ	60141410



L001,002,003,004,101,200,203,204,205,207,208,209,210	10UH 10%	60141070
L202,211	10UH 10%	60134230
L412	40UH	60175380
L801	0,6UH 10%	60141090
L802,803,861	100UH	35854430



VR801	5K0 OHM	35854100
--------------	---------	----------



R313	1R0 OHM 1W	35854050
R321	1R5 5% OHM 2W	35853940
R403,405,409,418	0R22 OHM 5% 0,50W R=Y △	56062000
R411	1K2 OHM 5% 2W	10134060
R420	2R7 OHM 5% 2W △	56305530
R500	1K5 OHM 5% 0,50W	10121880
R515,525,535	15K0 OHM 5% 3W	60132260
R611	0R22 OHM R% 2W R=Y	35854070
R801	4R7 OHM NTC R=Y △	35849450
R802,807	1M0 OHM 5% 0,50W △	56042190
R805,813	4M7 OHM 5% 0,50W △	35923310
R809	56K0 OHM 10% 2W	10151270
R824	22K0 OHM 5% 3W R=Y	35923290
R825	6R8 OHM 5% 2W	90576570
R834,836	0R22 OHM 5% 2W R=Y △	35923280
R837	8M2 OHM 5% 1W △	56044040
RT801	20R0 20% OHM PTC R=Y △	35883440
RT860	5R0 OHM NTC R=Y △	35923480
VR800	D15H471 VDR △	35849460

VERSION 1 09 / 2005 35997810
VERSION 2 03 / 2006

Lead Free
 Sans Plomb
R=Y
 ohne blei
 senza cavo
 sin plomo

For any requests, please contact THOMSON after sales europe area
 Pour toutes précisions, contactez votre service apres vente local THOMSON service europe
 Für weitere Auskünfte, wenden Sie sich bitte an die THOMSON sales europe Kundendienst
 Per precisazioni, contattare l'assistenza tecnica THOMSON sales europe
 Para cualquier pregunta, por favor contactar con el responsable de zona del servicio postventa de THOMSON sales europe



C206	150NOF 5% 100V	35854380
C401,404	1NOF 10% 500V	35854180
C403,409,412	390PF 10% 500V	60133270
C405	100NOF 5% 100V	35854370
C411	100UOF 20% 160V	35854130
C414	3N3F 10% 500V	35854190
C416	12NOF 5% 1K6V	△ 35923190
C420	10UOF 20% 160V	35854120
C421	330NOF 250V	△ 35854290
C500	1NOF 2K0V	14034870
C601,605	220NOF 20% 16V	30935550
C801,802	220NOF 20% 275V	△ 30745000
C803	100NOF 400V	35854390
C804,805	4N7F 10% 400V	△ 35854250
C806	150UOF 20% 400V	35854140
C808,826,860	10NOF 500V	35854200
C818	10NOF 20% 2KV	35923320
C819	560POF 20% 2KV	35923330
C821	220POF 5% 2KV	△ 35892350
C830	330POF 2KV	35854230
C833,834	470POF 10% 400V	△ 35849510
C837	1NOF 20% 250V	10660790
C839	100POF 20% 2K0V	14006310
C840,843	220POF 10% 500V	35851650
C890	100POF 10% 1K0V R=Y	56045640
C891,892	1N5F 10% 2KV	△ 16517220
C894	1000POF 20% 400V	△ 35849500



L411	50UH	60147540
T401	BCT-1012A DRIVER	35923200
T402	FBT BSC25-052T	△ 56044410
T801	36MOH R=Y	△ 35923380
T802	BCK-3578	△ 35923390
T860	BCK-1917A	△ 35923510

OTHER PARTS AUTRES PIECES SONSTIGE TEILE ALTRE PARTI OTRAS PIEZAS

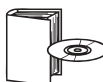
CJ125	CABLE WITH CONNECTOR 2 PINS 500MM CABLE AVEC CONNECTEUR 2 VOIES 500MM KABEL MIT VERBINDER 2 PINS 500MM CAVO CON CONNETTORE 2 SPINOTTI 500MM CABLE CON CONECTOR 2 PUNTOS 500MM	25419710
F801	2AT 250V TIME-LAG FUSE 2AT 250V FUSIBLE TEMPORISE 2AT 250V SICHERUNG 2AT 250V FUSIBILE TEMPORIZZATO 2AT 250V FUSIBLE TEMPORIZADO	△ 48029300

K850	SMIT-SH-105PM RELAY SMIT-SH-105PM RELAIS SMIT-SH-105PM RELAIS SMIT-SH-105PM RELE SMIT-SH-105PM RELE	△ 35923400
P500	CATHODE RAY TUBE SOCKET SUPPORT TUBE CATHODIQUE BILDROEHRENFASSUNG SUPPORTO TUBO CATODICO SOPORTE T.R.C	△ 35923070
P901	SCART SOCKET R=Y PRISE PERITEL R=Y EURO-AV-BUCHSE R=Y EUROPRESA NORMALIZZATA R=Y EUROCONNECTOR R=Y	36038220
P960	CINCH SOCKET WH-RD-YE PRISE CINCH WH-RD-YE CINCH-BUCHSE WH-RD-YE PRESA CINCH WH-RD-YE TOMA CINCH WH-RD-YE	56120450
P964	JACK SOCKET PRISE JACK JACK-BUCHSE PRESA JACK TOMA JACK	△ 21428320
S081,082,083, 084,085,086	MICROSWITCH MICRO CONTACTEUR MIKROSCHALTER MICROINTERRUPTORE MICROCONTACTOR	35923100
TU100	TEDE9-284A TUNER TEDE9-284A TETE TEDE9-284A TUNER TEDE9-284A TUNER TEDE9-284A SINTONIZADOR	50094920

EQUIPMENT/PRESENTATION EQUIPEMENT/PRESENTATION AUSSTATTUNG/GEHAUSE PARTI VARIE EQUIPO/PRESENTACION

FRONT PANEL AL01TH FACADE AL01TH FRONTPLATTE AL01TH PANNELLO FRONTALE AL01TH PANEL FRONTAL AL01TH	25821390
DEGAUSSING COIL 2500MM BOBINE DEMAGNETISATION 2500MM ENTMAGNETISIERUNGSSPULE 2500MM BOBINA DI SMAGNETIZZAZIONE 2500MM BOBINA DE DESMANTACION 2500MM	△ 60145110
A51QDJ420X08 CATHODE RAY TUBE A51QDJ420X08 TUBE CATHODIQUE A51QDJ420X08 FARBBILDROEHRE A51QDJ420X08 TUBO CATODICO A51QDJ420X08 T.R.C	△ 56168870
POWER SUPPLY LEAD 2700MM CORDON D'ALIMENTATION 2700MM NETZKABEL 2700MM CAVO DI ALIMENTAZIONE 2700MM CABLE DE ALIMENTACION 2700MM	△ 50076360
BUTTON ASSY CH10TH ENSEMBLE DE TOUCHES CH10TH TASTENEINHEIT CH10TH ASSIEME TASTI CH10TH CONJUNTO DE TECLAS CH10TH	25821410

CHASSIS SUPPORT SUPPORT CHASSIS CHASSIS HALTER SUPPORTO CHASSIS SOPORTE CHASSIS	25791220
REAR PANEL RGY49TH DOS RGY49TH RUECKWAND RGY49TH PANNELLO POSTERIORE RGY49TH TAPA POSTERIOR RGY49TH	△ 25790460
8RO OHM 10W LOUSPEAKER 42X105MM 8RO OHM 10W HAUT PARLEUR 42X105MM 8RO OHM 10W LAUTSPRECHER 42X105MM 8RO OHM 10W ALTOPARLANTE 42X105MM 8RO OHM 10W ALTAVOZ 42X105MM	25737950
FCB SUPPORT RGY49TH SUPPORT FCB RGY49TH FCB HALTER RGY49TH SUPPORTO FCB RGY49TH SOPORTE FCB RGY49TH	25726830
LOGO THOMSON CHROME LOGO THOMSON CHROME SCHRIFTZUG THOMSON CHROME MARCHIO THOMSON CHROME LOGOTIPO THOMSON CHROME	25657790
CORD STOPPER ATTACHE CORDON SECTEUR ZUGENTLASTUNG BRIDA CORDONE DI ALIMENTAZIONE SUJECION CABLE DE ALIMENTACION	25307670
RC111TA1G REMOTE CONTROL RC111TA1G TELECOMMANDE RC111TA1G FERNBEDIENUNG RC111TA1G TELECOMANDO RC111TA1G TELEMANDO	21282860
FOLDING BOX EMBALLAGE CARTON KARTON IMBALLAGGIO CARTONE EMBALAJE CARTON	25722100
FITTING UPPER CALE SUPERIEURE POLSTER OBEN DISTANZIATORE SUPERIORE CALZO SUPERIOR	25722080
FITTING DOWNER CALE INFERIEURE POLSTER UNTEN DISTANZIATORE INFERIORE CALZO INFERIOR	25722070



ETC009/ETC010 UM ETC009/ETC010 NU ETC009/ETC010 BA ETC009/ETC010 IU ETC009/ETC010 IU	50094090
21DM182T PARTS LIST 21DM182T LISTE DE PIECES DETACHEES 21DM182T ERSATZTEILLISTE 21DM182T LISTA PARTI DI RICAMBIO 21DM182T LISTA DE PIEZAS DE REPUESTO	35997810

PARTS LIST
LISTE PIECES DETACHEES
ERSATZTEILLISTE
LISTA PARTI DI RICAMBIO
LISTA DE PIEZAS DE REPUESTO

THOMSON
21DC320BT
Chassis ETC009

MODULES

MAIN ETC009 T8-D5071J-MANHM 56287280
DPC DPC T8-D5071J-DPY 56287310



IC001	M24C16-WBN6	20977300
IC201	TDA12020H/N1F00 UOC3 R=Y	56286960
IC300	STV8172A	56012920
IC601	TDA7266SA	35892060
IC801	TDA16846-2	60130550
IC860	TEA1520P	56043080
IR081	HRM533AA5100 (RIR)	21427450



Q001	2SD2012	10221820
Q002,850	2SC1815Y	20508030
Q102,201,202,281,602,900,902,903	BC847C SMD	90618810
Q200,203	BC327-40	16000450
Q204,205	BC857A SMD	35849760
Q206,207,208,280,601,901	BC857C SMD	50854389
Q401	BC639	16001240
Q402	3DD1556 R=Y	60130310
Q450	IRF630FP	25453960
Q511,521,531	3DA4544 300V R=Y	56124540
Q512,522,532	BF422	16003090
Q513,523,533	BF423	16003110
Q801	2SK3115	56045770
Q805	2SD2012 3A 60V R=Y	56089530



D002,204,404,832	BZX79C5V6 0,50W	56036960
D003,306	BZX79C3V9 0,50W	16518650
D005,006,100,270,271,272,281,300,305,307,308,450,600,807,810,850	1N4148 R=Y	36028130
D081A	FB205 LED	35853860

D102	BZX79C33V 0,50W	35923130
D104,105,106	BA982-GS08 SMD	35849800
D280	BZX79C24V 0,50W	56039590
D304	BZX79C2V4 0,50W	16518640
D309,413,834	1N4001	16008160
D400,401,402,403,422,806	FR104	20569370
D405,833	RGP30MT	10450220
D421	BY228 R=Y	36028680
D500	BAV21 R=Y	36030550
D511,521,531	LL4148 SMD R=Y	16012450
D801,802,803,804	RL255 R=Y	60145840
D805,860	1H8 R=Y	60129950
D824	RU3C	35853580
D831	BYW29-200	16009090
D861,862,863,864	1N4007 R=Y	55961730
D865	FR102 1A 100V R=Y	56039650
D868	UF4004/16 400V	35861820
D900,901,902,903,905,907	BZX79C6V2 1/2W 5%	35907120
D904,906	BZV55C5V6 SMD R=Y	56259900
D908	BZX79C8V2 0,50W	35853620



Z101	33M9HZ K9453D FOS	20992100
Z102	37M4HZ K3953-D100 R=Y FOS	35849850
Z200	24M576HZ	60141410



L001,002,003,004,101,200,203,204,205,207,208,209,210	10UH 10%	60141070
L202,211	10UH 10%	60134230
L411	300UH R=Y	35886170
L801	0,6UH 10%	60141090
L802,803,861	100UH	35854430



R313	1R0 OHM 1W	35854050
R321	1R5 5% OHM 2W	35853940
R403,405,409,418	0R22 OHM 5% 0,50W R=Y	56062000
R420	13R3 OHM 5% 2W R=Y	△ 35853880
R451	3R9 OHM 2W	35853960
R500	1K5 OHM 5% 0,50W	10121880
R515,525,535	15K0 OHM 5% 3W	60132260
R611	0R22 OHM R% 2W R=Y	35854070
R801	4R7 OHM NTC R=Y	△ 35849450
R802	1M0 OHM 5% 0,50W	56042190
R805,813	4M7 OHM 5% 0,50W	35923310
R809	56K0 OHM 10% 2W	10151270
R820,824	120R0 OHM 5% 2W R=Y	13001280
R825	6R8 OHM 5% 2W	90576570
R834,836	0R22 OHM 5% 2W R=Y	△ 35923280
R837	8M2 OHM 5% 1W	△ 56044040
RT801	20R0 20% OHM PTC R=Y	△ 35883440
RT860	5R0 OHM NTC R=Y	△ 35923480
VR800	D15H471 VDR	△ 35849460



C148	22N0F 5% 400V R=Y	△ 56287070
C206	150N0F 5% 100V	35854380
C401,404	1N0F 10% 500V	35854180
C403,409,412	390PF 10% 500V	60133270
C405	100N0F 5% 100V	35854370
C408	10UF 20% 250V R=Y	36030530
C411	100U0F 20% 160V	35854130
C414	3N3F 10% 500V	35854190
C416	12N0F 5% 1K6V	△ 35923190
C417	3N3F 5% 1K6V R=Y	△ 56287090
C419	4N3F 5% 1K6V R=Y	△ 35854340
C420	10U0F 20% 160V	35854120
C421	330N0F 250V	△ 35854290
C423	68N0F 5% 400V R=Y	56287110
C500	1N0F 2K0V	14034870
C605	220N0F 20% 16V	30935550
C801,802	220N0F 20% 275V R=Y	△ 36031430
C803	100N0F 400V	35854390
C804,805	4N7F 10% 400V	35854250
C806	150U0F 20% 400V	35854140
C808,826,860	10N0F 500V	35854200

Lead Free
 Sans Plomb
R=Y ohne blei
 senza cavo
 sin plomo

For any requests, please contact THOMSON after sales europe area
 Pour toutes précisions, contactez votre service apres vente local THOMSON service europe
 Für weitere Auskünfte, wenden Sie sich bitte an die THOMSON sales europe Kundendienst
 Per precisazioni, contattare l'assistenza tecnica THOMSON sales europe
 Para cualquier pregunta, por favor contactar con el responsable de zona del servicio postventa de THOMSON sales europe

VERSION 1 02 / 2006 36091590
VERSION 2 00 / 0000

C818	10NOF 20% 2KV	35923320
C819	560POF 20% 2KV	35923330
C821	220POF 5% 2KV	35892350
C830	330POF 2KV	35854230
C833,834	470POF 10% 400V	△ 35849510
C837	1NOF 20% 250V	△ 10660790
C839	100POF 20% 2KOV	14006310
C840,843	220POF 10% 500V	35851650
C890	100POF 10% 1KOV	35923500
C891,892	1N5F 10% 2KV	△ 16517220
C894	1000POF 20% 400V	△ 35849500



L412	21UOH 15% R=Y	△ 56092360
L450	800UH	60127530
T401	BCT-1012A DRIVER	35923200
T402	FBT BSC25-052T	△ 56044410
T801	36MOH R=Y	△ 35923380
T802	BCK-4038 R=Y	△ 56287120
T860	BCK-1917A	△ 35923510

OTHER PARTS AUTRES PIECES SONSTIGE TEILE ALTRE PARTI OTRAS PIEZAS

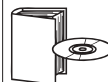
CH200	ON/OFF SWITCH MSB2000 CONTACTEUR MARCHE/ARRET MSB2000 EIN-AUS SCHALTER MSB2000 CONTATTORE ACCESO/ SPENTO MSB2000 CONTACTOR MARCHA/PARADA MSB2000	△ 10276500
F801	2AT 250V TIME-LAG FUSE 2AT 250V FUSIBLE TEMPORISE 2AT 250V SICHERUNG 2AT 250V FUSIBILE TEMPORIZZATO 2AT 250V FUSIBILE TEMPORIZADO	△ 48029300
K850	SMIT-SH-105PM RELAY SMIT-SH-105PM RELAIS SMIT-SH-105PM RELAIS SMIT-SH-105PM RELE SMIT-SH-105PM RELE	35923400
P500	CATHODE RAY TUBE SOCKET SUPPORT TUBE CATHODIQUE BILDROEHRENFASSUNG SUPPORTO TUBO CATODICO SOPORTE T.R.C	△ 35923070
P901	SCART SOCKET R=Y PRISE PERITEL R=Y EURO-AV-BUCHSE R=Y EUROPRESA NORMALIZZATA R=Y EUROCONNECTOR R=Y	36038220
P960	CINCH SOCKET WH-RD-YE PRISE CINCH WH-RD-YE CINCH-BUCHSE WH-RD-YE PRESA CINCH WH-RD-YE TOMA CINCH WH-RD-YE	56120450

P961	SVHS SOCKET PRISE SVHS BUCHSE SVHS PRESA SVHS TOMA SVHS	56099550
P964	JACK SOCKET PRISE JACK JACK-BUCHSE PRESA JACK TOMA JACK	△ 21428320
S081,082,083, 084,085,086	MICROSWITCH MICRO CONTACTEUR MIKROSCHALTER MICROINTERRUPTORE MICROCONTACTOR	35923100
TU100	TEDE9-284A TUNER TEDE9-284A TETE TEDE9-284A TUNER TEDE9-284A TUNER TEDE9-284A SINTONIZADOR	50094920

EQUIPMENT/PRESENTATION EQUIPEMENT/PRESENTATION AUSSTATTUNG/GEHAEUSE PARTI VARIE EQUIPO/PRESENTACION

FRONT PANEL BK25RC + SIO1TH FAÇADE BK25RC + SIO1TH FRONTPLATTE BK25RC + SIO1TH PANNELLO FRONTALE BK25RC + SIO1TH PANEL FRONTAL BK25RC + SIO1TH	36010800
SPACER WASHER TUBE RONDELLE D'ENTRETOISE TUBE SCHEIBE QUERSTREBE TUBE WASTER DEL DISTANZIATORE DEL TUBO WASTER DEL ESPACIADOR DEL TUBO	25789380
REAR PANEL RGY49TH DOS RGY49TH RUECKWAND RGY49TH PANNELLO POSTERIORE RGY49TH TAPA POSTERIOR RGY49TH	△ 25837790
INFRARED WINDOW GLACE INFRAROUGE INFRAROTFENSTER VETRO INFRAROSSO CRISTAL INFRARROJO	25741280
CHASSIS SUPPORT SUPPORT CHASSIS CHASSIS HALTER SUPPORTO CHASSIS SOPORTE CHASSIS	25791220
FCB SUPPORT RGY49TH SUPPORT FCB RGY49TH FCB HALTER RGY49TH SUPPORTO FCB RGY49TH SOPORTE FCB RGY49TH	25726830
8R OHM 15W LOUDSPEAKER 50X90 8R OHM 15W HAUT PARLEUR 50X90 8R OHM 15W LAUTSPRECHER 50X90 8R OHM 15W ALTOPARLANTE 50X90 8R OHM 15W ALTAVOZ 50X90	25651640
ON/OFF SWITCH SUPPORT SUPPORT CONTACTEUR MARCHE/ARRET HALTER EIN-AUS SCHALTER SUPPORTO CONTATTORE ACCESO/SPENTO SOPORTE CONTACTOR MARCHA/PARADA	25514910

ON/OFF BUTTON SIO1TH TOUCHE MARCHE/ARRET SIO1TH EIN-AUS TASTE SIO1TH TASTO ACCESO/SPENTO SIO1TH TECLA MARCHA/PARADA SIO1TH	25793950
BUTTON ASSY 5T SIO1TH ENSEMBLE DE TOUCHES 5T SIO1TH TASTENEINHEIT 5T SIO1TH ASSIEME TASTI 5T SIO1TH CONJUNTO DE TECLAS 5T SIO1TH	36022660
POWER SUPPLY LEAD 2700MM CORDON D'ALIMENTATION 2700MM NETZKABEL 2700MM CAVO DI ALIMENTAZIONE 2700MM CABLE DE ALIMENTACION 2700MM	△ 50076360
CORD STOPPER ATTACHE CORDON SECTEUR ZUGENTLASTUNG BRIDA CORDONE DI ALIMENTAZIONE SUJECION CABLE DE ALIMENTACION	25307670
A51ERS357X440 CATHODE RAY TUBE A51ERS357X440 TUBE CATHODIQUE A51ERS357X440 FARBBILDROEHRE A51ERS357X440 TUBO CATODICO A51ERS357X440 T.R.C	△ 56288420
DEGAUSSING COIL 796MM R=Y BOBINE DEMAGNETISATION 796MM R=Y ENTMAGNETISIERUNGSSPULE 796MM R=Y BOBINA DI SMAGNETIZZAZIONE 796MM R=Y BOBINA DE DESMANTACION 796MM R=Y	△ 56120020
RC311TA1G REMOTE CONTROL RC311TA1G TELECOMMANDE RC311TA1G FERNBEDIENUNG RC311TA1G TELECOMANDO RC311TA1G TELEMANDO	21282880
FOLDING BOX EMBALLAGE CARTON KARTON IMBALLAGGIO CARTONE EMBALAJE CARTON	25737160
FITTING UPPER CALE SUPERIEURE POLSTER OBEN DISTRANZIATORE SUPERIORE CALZO SUPERIOR UPPER	25737130
FITTING DOWNER CALE INFERIEURE POLSTER UNTEN DISTRANZIATORE INFERIORE CALZO INFERIOR	25737140
21DC320BT PARTS LIST 21DC320BT LISTE DE PIECES DETACHEES 21DC320BT ERSATZTEILLISTE 21DC320BT LISTA PARTI DI RICAMBIO 21DC320BT LISTA DE PIEZAS DE REPUESTO	36091590
ITC009/ITC010 UM ITC009/ITC010 NU ITC009/ITC010 BA ITC009/ITC010 IU ITC009/ITC010 IU	50094090



21DC320BT

2/2

The description and characteristics given here are of informative significance only, and non committal. To keep up the high quality of our products, we reserve the right to make any changes or improvement without previous notice. • Les descriptions et caractéristiques figurant sur ce document sont données à titre d'information et non d'engagement. En effet, soucieux de la qualité de nos produits, nous nous réservons le droit d'effectuer, sans préavis, toute modification ou amélioration. • Die Beschreibungen und Daten in dieser Anleitung dienen nur zur Information und sind nicht bindend. Um die Qualität unserer Produkte ständig zu verbessern, behalten wir uns das Recht auf Änderungen vor. • Le descrizioni e le caratteristiche date su questo documento sono fornite a semplice titolo informativo e senza impegno. Ci riserviamo il diritto di eseguire, senza preavviso, qualsiasi modifica o miglioramento. • Las descripciones y características que figuran en este documento se dan a título de información y no de compromiso. En efecto, en bien de la calidad de nuestros productos, nos reservamos el derecho de efectuar, sin previo aviso, cualquier modificación o mejora.

PARTS LIST
LISTE PIECES DETACHEES
ERSATZTEILLISTE
LISTA PARTI DI RICAMBIO
LISTA DE PIEZAS DE REPUESTO

THOMSON
21MG172T
Chassis ETC009

MODULES

MAIN	ETC009 T8-D5761J-MANHM	56265450
CRT	CRT T8-D5761J-CRY	56265430
FCB	FCB T8-D5761J-SIY	56265420
KB	KB T8-D5761J-KEY	56265410



IC001	M24C16-WBN6	20977300
IC201	TDA12020H/N1F00 UOC3 R=Y	56286960
IC300	STV9302B	60211650
IC601	TDA7266SA	35892060
IC801	TDA16846-2	60130550
IC860	TEA1520P	56043080
IR081	HRM533AA5100 (RIR)	21427450



Q001,805	2SD2012 3A 60V R=Y	56089530
Q002,850	2SC1815Y	20508030
Q102,201,202,281,602,900,902,903	BC847C SMD	90618810
Q200,203	BC327-40	16000450
Q204,205	BC857A SMD	35849760
Q206,207,208,280,601,901	BC857C SMD	50854389
Q401	BC639	16001240
Q402	2SC5885	21428060
Q511,521,531	3DA4544 300V R=Y	56124540
Q512,522,532	BF422	16003090
Q513,523,533	BF423	16003110
Q801	2SK2996	35853760



D002,204,404,832	BZX79C5V6 0,50W	56036960
D003,306	BZX79C3V9 0,50W	16518650
D005,006,100,270,271,272,281,300,305,307,308,600,807,810,850	1N4148 R=Y	36028130
D081A	FB205 LED	35853860
D102	BZX79C33V 0,50W	35923130
D104,105,106	BA982-GS08 SMD	35849800
D280	BZX79C24V 0,50W	56039590
D304	BZX79C2V4 0,50W	16518640
D309,413,834	1N4001	16008160
D400,405,833	RGP30MT	10450220
D401,402,403,806	FR104	20569370
D500	BAV21 R=Y	36030550
D511,521,531	LL4148 SMD	16012450
D801,802,803,804	RL255 R=Y	60145840
D805,860	1H8 R=Y	60129950
D824	RU3C	35853580
D831	BYW29-200 DIODE	16009090
D861,862,863,864	1N4007 R=Y	55961730
D865	FR102 1A 100V R=Y	56039650
D868	UF4004/16 400V	35861820
D900	BZX79C8V2 0,50W	35853620
D901,902,903,907	BZX79C6V2 1/2W 5%	35907120
D904	BZV55C5V6 SMD R=Y	56259900



Z101	33M9HZ K9453D FOS	20992100
Z102	37M4HZ K3953-D100 R=Y FOS	35849850
Z200	24M576HZ	60141410



L001,002,003,004,101,200,203,204,205,207,208,209,210	10UH 10%	60141070
L202,211	10UH 10%	60134230
L412	150UH	35854600
L801	0,6UH 10%	60141090
L802,803,861	100UH	35854430



R313	1R0 OHM 1W	35854050
R321	1R5 5% OHM 2W	35853940
R403,405,409,418	0R22 OHM 5% 0,50W R=Y Δ	56062000
R420	1R0 OHM 5% 2W Δ	35005850
R500	1K5 OHM 5% 0,50W	10121880
R515,525,535	15K0 OHM 5% 3W	60132260
R611	0R22 OHM R% 2W R=Y	35854070
R801	4R7 OHM NTC R=Y Δ	35849450
R802,807	1M0 OHM 5% 0,50W Δ	56042190
R805,813	4M7 OHM 5% 0,50W Δ	35923310
R809	56K0 OHM 10% 2W	10151270
R824	22K0 OHM 5% 3W R=Y	35923290
R825	6R8 OHM 5% 2W	90576570
R834,836	0R22 OHM 5% 2W R=Y Δ	35923280
R837	8M2 OHM 5% 1W Δ	56044040
RT801	20R0 20% OHM PTC R=Y Δ	35883440
RT860	5R0 OHM NTC R=Y Δ	35923480
VR800	D15H471 VDR Δ	35849460

VERSION 1 03 / 2006 36104210
VERSION 2 00 / 0000

Lead Free
 Sans Plomb
R=Y ohne blei
 senza cavo
 sin plomo

For any requests, please contact THOMSON after sales europe area
 Pour toutes précisions, contactez votre service apres vente local THOMSON service europe
 Für weitere Auskünfte, wenden Sie sich bitte an die THOMSON sales europe Kundendienstes
 Per precisazioni, contattare l'assistenza tecnica THOMSON sales europe
 Para cualquier pregunta, por favor contactar con el responsable de zona del servicio postventa de THOMSON sales europe



C206	150NOF 5% 100V	35854380
C401,404	1NOF 10% 500V	35854180
C403,409,412	390PF 10% 500V	60133270
C408	10UF 20% 250V R=Y	36030530
C411	100UOF 20% 160V	35854130
C414	3N3F 10% 500V	35854190
C416	12NOF 5% 1K6V	△ 35923190
C420	10UOF 20% 160V	35854120
C421	300NOF 5% 250V R=Y	△ 56287060
C500	1NOF 2K0V	14034870
C601,605	220NOF 20% 16V	30935550
C801,802	220NOF 20% 275V R=Y	△ 36031430
C803	100NOF 400V	35854390
C804,805	4N7F 10% 400V	△ 35854250
C806	150UOF 20% 400V	35854140
C808,826,860	10NOF 500V	35854200
C818	10NOF 20% 2KV	35923320
C819	560POF 20% 2KV	35923330
C821	220POF 5% 2KV	△ 35892350
C830	330POF 2KV	35854230
C833,834	470POF 10% 400V	△ 35849510
C837	1NOF 20% 250V	△ 10660790
C839	100POF 20% 2K0V	14006310
C840,843	220POF 10% 500V	35851650
C861	4U7F 20% 400V	35923490
C890	100POF 10% 1K0V R=Y	56045640
C891,892	1N5F 10% 2KV	△ 16517220
C894	1000POF 20% 400V	△ 35849500



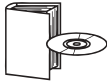
L411	50UH	60147540
T401	BCT-1012A DRIVER	35923200
T402	FBT BSC25-052T	△ 56044410
T801	36M0H R=Y	△ 35923380
T802	BCK-3578	△ 35923390
T860	BCK-1917A	△ 35923510

OTHER PARTS AUTRES PIECES SONSTIGE TEILE ALTRE PARTI OTRAS PIEZAS

CH200	ON/OFF SWITCH MSB2000 △ 10276500 CONTACTEUR MARCHE/ARRET MSB2000 EIN-AUS SCHALTER MSB2000 CONTATTORE ACCESO/ SPENTO MSB2000 CONTACTOR MARCHA/PARADA MSB2000	
F801	2AT 250V TIME-LAG FUSE △ 48029300 2AT 250V FUSIBLE TEMPORISE 2AT 250V SICHERUNG 2AT 250V FUSIBILE TEMPORIZZATO 2AT 250V FUSIBLE TEMPORIZADO	
K850	SMIT-SH-105PM RELAY △ 35923400 SMIT-SH-105PM RELAIS SMIT-SH-105PM RELAIS SMIT-SH-105PM RELE SMIT-SH-105PM RELE	
P500	CATHODE RAY TUBE SOCKET △ 35923070 SUPPORT TUBE CATHODIQUE BILDROEHRENFASSUNG SUPPORTO TUBO CATODICO SOPORTE T.R.C	
P901	SCART SOCKET 67523300 PRISE PERITEL EURO-AV-BUCHSE EUROPRESA NORMALIZZATA EUROCONNECTOR	
P960	CINCH SOCKET RCA WHITE 35854730 PRISE CINCH RCA BLANCHE CHINCH-BUCHSE RCA WEIB PRESA CINCH RCA BIANCO TOMA CINCH RCA BLANCO	
P962	CINCH SOCKET RCA RED 60149060 PRISE CINCH RCA ROUGE CHINCH-BUCHSE RCA ROT PRESA CINCH RCA ROSSO TOMA CINCH RCA ROJO	
P964	HEADPHONE SOCKET 35883330 PRISE CASQUE KOPFHOERERBUCHSE PRESA JACK TOMA JACK	
P969	CINCH SOCKET RCA YELLOW 35854740 PRISE CINCH RCA JAUNE CHINCH-BUCHSE RCA GELB PRESA CINCH RCA GIALLO TOMA CINCH RCA AMARILLO	
S081,082,083, 084,085	MICROSWITCH 35923100 MICRO CONTACTEUR MIKROSCHALTER MICROINTERRUTTORE MICROCONTACTOR	
S086	MICROSWITCH R=Y 56122190 MICRO CONTACTEUR R=Y MIKROSCHALTER R=Y MICROINTERRUTTORE R=Y MICROCONTACTOR R=Y	
TU100	TEDE9-284A TUNER 50094920 TEDE9-284A TETE TEDE9-284A TUNER TEDE9-284A TUNER TEDE9-284A SINTONIZADOR	

EQUIPMENT/PRESENTATION EQUIPEMENT/PRESENTATION AUSSTATTUNG/GEHAUESE PARTI VARIE EQUIPO/PRESENTACION

FRONT PANEL AL01TH 25739870 FACADE AL01TH FRONTPLATTE AL01TH PANNELLO FRONTALE AL01TH PANEL FRONTAL AL01TH	
SPACER FRONT PANEL 25335930 ENTRETOISE FACADE DISTANZSCHEIBE FRONTPLATTE DISTANZIATORE PANNELLO FRONTALE ESPACIADOR PANEL FRONTAL	
REAR PANEL RGY49TH △ 56301030 DOS RGY49TH RUECKWAND RGY49TH PANNELLO POSTERIORE RGY49TH TAPA POSTERIOR RGY49TH	
INFRARED WINDOW 25414180 GLACE INFRAROUGE INFRAROT FENSTER VETRO INFRAROSSO CRISTAL INFRARROJO	
LOGO THOMSON 25381430 LOGO THOMSON SCHRIFZUG THOMSON MARCHIO THOMSON LOGOTIPO THOMSON	
CHASSIS SUPPORT 25791200 SUPPORT CHASSIS CHASSIS HALTER SUPPORTO CHASSIS SOPORTE CHASSIS	
COVER SOCKET AL01TH 25741850 CACHE PRISE AL01TH ABDECKUNG BUCHSE AL01TH COPERCHIO PRESA AL01TH CUBIERTA TOMA AL01TH	
SUPPORT CU AND BUTTON AL01TH 25741860 SUPPORT CU ET TOUCHES AL01TH HALTER CU UND TASTE AL01TH SUPPORTO CU E TASTO AL01TH SOPORTE CU Y TECLA AL01TH	
8R OHM 15W LOUDSPEAKER 50X90 25651640 8R OHM 15W HAUT PARLEUR 50X90 8R OHM 15W LAUTSPRECHER 50X90 8R OHM 15W ALTOPARLANTE 50X90 8R OHM 15W ALTAVOZ 50X90	
ON/OFF SWITCH SUPPORT 25414200 SUPPORT CONTACTEUR MARCHE/ARRET HALTER EIN-AUS SCHALTER SUPPORTO CONTATTORE ACCESO/SPENTO SOPORTO CONTACTOR MARCHA/PARADA	
ON/OFF BUTTON AL01TH 25741870 TOUCHE MARCHE/ARRET AL01TH EIN-AUS TASTE AL01TH TASTO ACCESO/SPENTO AL01TH TECLA MARCHA/PARADA AL01TH	
POWER SUPPLY LEAD 2700MM △ 50076360 CORDON D'ALIMENTATION 2700MM NETZKABEL 2700MM CAVO DI ALIMENTAZIONE 2700MM CABLE DE ALIMENTACION 2700MM	
CORD STOPPER 25307670 ATTACHE CORDON SECTEUR ZUGENTLASTUNG BRIDA CORDONE DI ALIMENTAZIONE SUJECION CABLE DE ALIMENTACION	
A51EFS13X701 CATHODE RAY TUBE △ 10799470 A51EFS13X701 TUBE CATHODIQUE A51EFS13X701 FARBBILDROEHRE A51EFS13X701 TUBO CATODICO A51EFS13X701 T.R.C	

DEGAUSSING COIL 796MM R=Y	△ 56120020		
BOBINE DEMAGNETISATION 796MM R=Y			
ENTMAGNETISIERUNGSSPULE 796MM R=Y			
BOBINA DI SMAGNETIZZAZIONE 796MM R=Y			
BOBINA DE DESIMANTACION 796MM R=Y			
RC311TA1G REMOTE CONTROL	21282880		
RC311TA1G TELECOMMANDE			
RC311TA1G FERNBEDIENUNG			
RC311TA1G TELECOMANDO			
RC311TA1G TELEMANDO			
FOLDING BOX	25779010		
EMBALLAGE CARTON			
KARTON			
IMBALLAGGIO CARTONE			
EMBALAJE CARTON			
FITTING UPPER	25711990		
CALE SUPERIEURE			
POLSTER OBEN			
DISTANZIATORE SUPERIORE			
CALZO SUPERIOR			
FITTING DOWNER	25711850		
CALE INFERIEURE			
POLSTER UNTEN			
DISTANZIATORE INFERIORE			
CALZO INFERIOR			
			
21MG172T PARTS LIST	36104210		
21MG172T LISTE DE PIECES DETACHEES			
21MG172T ERSATZTEILLISTE			
21MG172T LISTA PARTI DI RICAMBIO			
21MG172T LISTA DE PIEZAS DE REPUESTO			
ETC009/ETC010 UM	50094090		
ETC009/ETC010 NU			
ETC009/ETC010 BA			
ETC009/ETC010 IU			
ETC009/ETC010 IU			

21MG172T

3/3

The description and characteristics given here are of informative significance only, and non committal. To keep up the high quality of our products, we reserve the right to make any changes or improvement without previous notice. • Les descriptions et caractéristiques figurant sur ce document sont données à titre d'information et non d'engagement. En effet, soucieux de la qualité de nos produits, nous nous réservons le droit d'effectuer, sans préavis, toute modification ou amélioration. • Die Beschreibungen und Daten in dieser Anleitung dienen nur zur Information und sind nicht bindend. Um die Qualität unserer Produkte ständig zu verbessern, behalten wir uns das Recht auf Änderungen vor. • Le descrizioni e le caratteristiche date su questo documento sono fornite a semplice titolo informativo e senza impegno. Ci riserviamo il diritto di eseguire, senza preavviso, qualsiasi modifica o miglioramento. • Las descripciones y características que figuran en este documento se dan a título de información y no de compromiso. En efecto, en bien de la calidad de nuestros productos, nos reservamos el derecho de efectuar, sin previo aviso, cualquier modificación o mejora.

PARTS LIST
LISTE PIECES DETACHEES
ERSATZTEILLISTE
LISTA PARTI DI RICAMBIO
LISTA DE PIEZAS DE REPUESTO

THOMSON
15MH182T
Chassis ETC009

MODULES

MAIN	ETC009 T8-F5591J-MAN	56297570
CRT	CRT T8-D5571J-CR1	56062090
FCB	FCB T8-D5761J-SIY	56265420
KB	KB T8-F5591J-KEY	56297560



IC001	M24C16-WBN6	20977300
IC201	TDA12020H/N1F00 UOC3 R=Y	56286960
IC300	STV9302B	60211650
IC601	TDA7266SA	35892060
IC801	TDA16846-2	60130550
IC860	TEA1520P	56043080
IR001	HRM533AA5100 (RIR)	21427450



Q001,805	2SD2012 3A 60V R=Y	56089530
Q002,850	2SC1815Y	20508030
Q102,201,202,281,602,900,902,903	BC847C SMD	90618810
Q200,203	BC327-40	16000450
Q204,205	BC857A SMD	35849760
Q206,207,208,280,601,901	BC857C SMD	50854389
Q401	BC639	16001240
Q402	2SC5885	21428060
Q511,521,531	3DA4544 300V R=Y	56124540
Q512,522,532	BF422	16003090
Q513,523,533	BF423	16003110
Q801	2SK2996	35853760



D002,204,404,832	BZX79C5V6 0,50W	56036960
D003,306	BZX79C3V9 0,50W	16518650
D005,006,100,270,271,272,281,300,305,307,308,600,807,810,850	1N4148	44009209
D051A	FB205 LED	35853860
D102	BZX79C33V 0,50W	35923130
D104,105,106	BA982-GS08 SMD	35849800
D280	BZX79C24V 0,50W	56039590
D304	BZX79C2V4 0,50W	16518640
D309,413,834	1N4001 50V/1A R=Y	36038140
D400,401,402,403,806	FR104	20569370
D405,833	1N4004	11073460
D500	BAV21	44044407
D511,521,531	LL4148 SMD	16012450
D801,802,803,804	RL255 R=Y	60145840
D805,860	1H8 R=Y	60129950
D824	RU3C	35853580
D831	BYW29-200 DIODE	16009090
D861,862,863,864	1N4007	16008210
D865	FR102 1A 100V R=Y	56039650
D868	UF4004/16 400V	35861820
D900,901,902,903,907	BZX79C6V2 1/2W 5%	35907120
D904	ZMM5.6 2% SMD	10291310



Z101	33M9HZ K9453D FOS	20992100
Z102	37M4HZ K3953-D100 R=Y FOS	35849850
Z200	24M576HZ	60141410



L001,002,003,004,101,200,203,204,205,207,208,209,210	10UH 10%	60141070
L202,211	10UH 10%	60134230
L801	0,6UH 10%	60141090
L802,803,861	100UH	35854430



R313	1R0 OHM 1W	35854050
R403,405,409,418	0R22 OHM 5% 0,50W R=Y Δ	56062000
R411	1K2 OHM 5% 2W	10134060
R420	13R3 OHM 5% 2W R=Y Δ	35853880
R500	1K5 OHM 5% 0,50W	10121880
R515,525,535	15K0 OHM 5% 3W	60132260
R611	0R22 OHM 8% 2W R=Y	35854070
R801	4R7 OHM NTC R=Y Δ	35849450
R802,807	1M0 OHM 5% 0,50W Δ	56042190
R805,813	4M7 OHM 5% 0,50W Δ	35923310
R809	56K0 OHM 10% 2W	10151270
R824	22K0 OHM 5% 3W R=Y	35923290
R825	6R8 OHM 5% 2W	90576570
R834,836	0R22 OHM 5% 2W R=Y Δ	35923280
R837	8M2 OHM 5% 1W Δ	56044040
RT801	20R0 20% OHM PTC R=Y Δ	35883440
RT860	5R0 OHM NTC R=Y Δ	35923480
VR800	14D471K VDR Δ	56289960



C206	150N0F 5% 100V	35854380
C401,404	1N0F 10% 500V	35854180
C403,409,412	390PF 10% 500V	60133270
C405	100N0F 5% 100V	35854370
C408	10UF 20% 250V	13039480
C411	100U0F 20% 160V	35854130
C414	3N3F 10% 500V	35854190
C416	12N0F 5% 1K6V Δ	35923190
C419	560P0F 5% 2K0V Δ	56297870
C420	10U0F 20% 160V	35854120
C421	330N0F 250V Δ	35854290

R=Y
 Lead Free
 Sans Plomb
 ohne blei
 senza cavo
 sin plomo

For any requests, please contact THOMSON after sales europe area
 Pour toutes précisions, contactez votre service apres vente local THOMSON service europe
 Für weitere Auskünfte, wenden Sie sich bitte an die THOMSON sales europe Kundendienst
 Per precisazioni, contattate l'assistenza tecnica THOMSON sales europe
 Para cualquier pregunta, por favor contactar con el responsable de zona del servicio postventa de THOMSON sales europe

VERSION 1 03 / 2006 36107380
VERSION 2 00 / 0000

1/2

C500	1N0F 2K0V	14034870
C601,605	220NOF 20% 16V	30935550
C801,802	220NOF 20% 275V	△ 30745000
C803	100NOF 400V	35854390
C804,805	4N7F 10% 400V	△ 35854250
C806	150U0F 20% 400V	35854140
C808,826,860	10N0F 500V	35854200
C818	10N0F 20% 2KV	35923320
C819	560P0F 20% 2KV	35923330
C821	220P0F 5% 2KV	△ 35892350
C830	330P0F 2KV	35854230
C833,834	470P0F 10% 400V	△ 35849510
C837	1N0F 20% 250V	△ 10660790
C839	100P0F 20% 2K0V	14006310
C840,843	220P0F 10% 500V	35851650
C861	4U7F 20% 400V	35923490
C890	100P0F 10% 1K0V R=Y	56045640
C891,892	1N5F 10% 2KV	△ 16517220
C894	1000P0F 20% 400V	△ 35849500



L411	50UH	60147540
T401	BCT-1012A DRIVER	35923200
T402	FBT BSC25-0210W	△ 56297890
T801	36M0H R=Y	△ 35923380
T802	BCK-3578	△ 35923390
T860	BCK-1917A	△ 35923510

OTHER PARTS AUTRES PIECES SONSTIGE TEILE ALTRE PARTI OTRAS PIEZAS

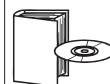
CJ081	CABLE WITH CONNECTOR 2 PINS 580MM GREEN CABLE AVEC CONNECTEUR 2 VOIES 580MM VERT CABLE MIT VERBINDER 2 PINS 580MM GRUEN CAVO CON CONNECTOR 2 SPINOTTI 580MM VERDE CABLE CON CONECTOR 2 PUNTOS 580MM VERDE	10327420
F801	2AT 250V TIME-LAG FUSE 2AT 250V FUSIBLE TEMPORISE 2AT 250V SICHERUNG 2AT 250V FUSIBILE TEMPORIZZATO 2AT 250V FUSIBLE TEMPORIZADO	△ 48029300
K850	SMIT-SH-105PM RELAY SMIT-SH-105PM RELAIS SMIT-SH-105PM RELAIS SMIT-SH-105PM RELE SMIT-SH-105PM RELE	△ 35923400
P500	CATHODE RAY TUBE SOCKET SUPPORT TUBE CATHODIQUE BILDROEHRENFASSUNG SUPPORTO TUBO CATODICO SOPORTE T.R.C	△ 35923070

P901	SCART SOCKET PRISE PERITEL EURO-AV-BUCHSE EUROPRESA NORMALIZZATA EUROCONNECTOR	67523300
P960	CINCH SOCKET RCA WHITE PRISE CINCH RCA BLANCHE CHINCH-BUCHSE RCA WEIB PRESA CINCH RCA BIANCO TOMA CINCH RCA BLANCO	35854730
P962	CINCH SOCKET RCA RED PRISE CINCH RCA ROUGE CINCH-BUCHSE RCA ROT PRESA CINCH RCA ROSSO TOMA CINCH RCA ROJO	60149060
P964	HEADPHONE SOCKET PRISE CASQUE KOPFHUERBUCHSE PRESA JACK TOMA JACK	35883330
P969	CINCH SOCKET RCA YELLOW PRISE CINCH RCA JAUNE CHINCH-BUCHSE RCA GELB PRESA CINCH RCA GIALLO TOMA CINCH RCA AMARILLO	35854740
S002A,003A, 004A,005A, 006A,008A	MICROSWITCH MICRO CONTACTEUR MIKROSCHALTER MICROINTERRUTTORE MICROCONTACTOR	60138860
TU100	TEDE9-284A TUNER TEDE9-284A TETE TEDE9-284A TUNER TEDE9-284A TUNER TEDE9-284A SINTONIZADOR	50094920

EQUIPMENT/PRESENTATION EQUIPEMENT/PRESENTATION AUSSTATTUNG/GEHAUSE PARTI VARIE EQUIPO/PRESENTACION

FRONT PANEL AL01TH FAÇADE AL01TH FRONTPLATTE AL01TH PANNELLO FRONTALE AL01TH PANEL FRONTAL AL01TH	36022230
REAR PANEL RGY49TH DOS RGY49TH RUECKWAND RGY49TH PANNELLO POSTERIORE RGY49TH TAPA POSTERIOR RGY49TH	△ 25793020
LED WINDOW GLACE LED LED FENSTER VETRO LED CRISTAL LED	25792930
INFRARED WINDOW GLACE INFRAROUGE INFRAROTFENSTER VETRO INFRAROSSO CRISTAL INFRARROJO	25792940
FCB SUPPORT RGY49TH SUPPORT FCB RGY49TH FCB HALTER RGY49TH SUPPORTO FCB RGY49TH SOPORTE FCB RGY49TH	25806870

16RO OHM 3W LOUSPEAKER 30X70MM 16RO OHM 3W HAUT PARLEUR 30X70MM 16RO OHM 3W LAUTSPRECHER 30X70MM 16RO OHM 3W ALTOPARLANTE 30X70MM 16RO OHM 3W ALTAVOZ 30X70MM	25813560
BUTTON ASSY 6T AL01TH ENSEMBLE DE TOUCHES 6T AL01TH TASTENEINHEIT 6T AL01TH ASSIEME TASTI 6T AL01TH CONJUNTO DE TECLAS 6T AL01TH	36022620
POWER SUPPLY LEAD CORDON D'ALIMENTATION NETZKABEL CAVO DI ALIMENTAZIONE CABLE DE ALIMENTACION	△ 56297590
A36CPAA00X04 CATHODE RAY TUBE A36CPAA00X04 TUBE CATHODIQUE A36CPAA00X04 FARBBILDROEHRE A36CPAA00X04 TUBO CATODICO A36CPAA00X04 T.R.C.	△ 56161390
DEGAUSSING COIL BOBINE DEMAGNETISATION ENTMAGNETISIERUNGSSPULE BOBINA DI SMAGNETIZZAZIONE BOBINA DE DESMANTACION	△ 36037040
RC311TA1G REMOTE CONTROL RC311TA1G TELECOMMANDE RC311TA1G FERNBEDIENUNG RC311TA1G TELECOMANDO RC311TA1G TELEMANDO	21282880
FOLDING BOX EMBALLAGE CARTON KARTON IMBALLAGGIO CARTONE EMBALAJE CARTON	25818530
CARTON MIDDLE CARTON INTERMEDIAIRE KARTON MITTELTEIL CARTONE MEZZO CARTON MEDIO	25818550
FITTING SET ENSEMBLE DE CALES POLSTER KIT ASSIEME DISTANZIATORE CONJUNTO CALZO	25818560



15MH182T PARTS LIST 15MH182T LISTE DE PIECES DETACHEES 15MH182T ERSATZTEILLISTE 15MH182T LISTA PARTI DI RICAMBIO 15MH182T LISTA DE PIEZAS DE REPUESTO	36107380
ETC009/ETC010 UM ETC009/ETC010 NU ETC009/ETC010 BA ETC009/ETC010 IU ETC009/ETC010 IU	50094090

15MH182T

2/2

The description and characteristics given here are of informative significance only, and non committal. To keep up the high quality of our products, we reserve the right to make any changes or improvement without previous notice. • Les descriptions et caractéristiques figurant sur ce document sont données à titre d'information et non d'engagement. En effet, soucieux de la qualité de nos produits, nous nous réservons le droit d'effectuer, sans préavis, toute modification ou amélioration. • Die Beschreibungen und Daten in dieser Anleitung dienen nur zur Information und sind nicht bindend. Um die Qualität unserer Produkte ständig zu verbessern, behalten wir uns das Recht auf Änderungen vor. • Le descrizioni e le caratteristiche date su questo documento sono fornite a semplice titolo informativo e senza impegno. Ci riserviamo il diritto di eseguire, senza preavviso, qualsiasi modifica o miglioramento. • Las descripciones y características que figuran en este documento se dan a título de información y no de compromiso. En efecto, en bien de la calidad de nuestros productos, nos reservamos el derecho de efectuar, sin previo aviso, cualquier modificación o mejora.

PARTS LIST
LISTE PIECES DETACHEES
ERSATZTEILLISTE
LISTA PARTI DI RICAMBIO
LISTA DE PIEZAS DE REPUESTO

PLAYSONIC
21L0602
Chassis ETC009

MODULES

MAIN	ETC009 T8-D5761J-MANHM	56265450
CRT	CRT T8-D5761J-CRY	56265430
FCB	FCB T8-B4481K-SIY	56263120
KB	KB T8-D5761J-KEY	56265410



IC001	M24C16-WBN6	20977300
IC201	TDA12020H/N1F00 UOC3 R=Y	56286960
IC300	STV9302B	60211650
IC601	TDA7266SA	35892060
IC801	TDA16846-2	60130550
IC860	TEA1520P	56043080
IR081	HRM533AA5100 (RIR)	21427450



Q001,805	2SD2012 3A 60V R=Y	56089530
Q002,850	2SC1815Y	20508030
Q102,201,202,281,602,900,902,903	BC847C SMD	90618810
Q200,203	BC327-40	16000450
Q204,205	BC857A SMD	35849760
Q206,207,208,280,601,901	BC857C SMD	50854389
Q401	BC639	16001240
Q402	2SC5885	21428060
Q511,521,531	3DA4544 300V R=Y	56124540
Q512,522,532	BF422	16003090
Q513,523,533	BF423	16003110
Q801	2SK2996	35853760



D002,204,404,832	BZX79C5V6 0,50W	56036960
D003,306	BZX79C3V9 0,50W	16518650
D005,006,100,270,271,272,281,300,305,307,308,600,807,810,850	1N4148 R=Y	36028130
D081A	FB205 LED	35853860
D102	BZX79C33V 0,50W	35923130

D104,105,106	BA982-GS08 SMD	35849800
D280	BZX79C24V 0,50W	56039590
D304	BZX79C24V 0,50W	16518640
D309,413,834	1N4001	16008160
D400,405,833	RGP30MT	10450220
D401,402,403,806	FR104	20569370
D500	BAV21 R=Y	36030550
D511,521,531	LL4148 SMD	16012450
D801,802,803,804	RL255 R=Y	60145840
D805,860	1H8 R=Y	60129950
D824	RU3C	35853580
D831	BYW29-200 DIODE	16009090
D861,862,863,864	1N4007 R=Y	55961730
D865	FR102 1A 100V R=Y	56039650
D868	UF4004/16 400V	35861820
D900	BZX79C8V2 0,50W	35853620
D901,902,903,907	BZX79C6V2 1/2W 5%	35907120
D904	BZV55C5V6 SMD R=Y	56259900



Z101	33M9HZ K9453D FOS	20992100
Z102	37M4HZ K3953-D100 R=Y FOS	35849850
Z200	24M576HZ	60141410



L001,002,003,004,101,200,203,204,205,207,208,209,210	10UH 10%	60141070
L202,211	10UH 10%	60134230
L412	150UH	35854600
L801	0,6UH 10%	60141090
L802,803,861	100UH	35854430



R313	1R0 OHM 1W	35854050
R321	1R5 5% OHM 2W	35853940
R403,405,409,418	0R22 OHM 5% 0,50W R=Y Δ	56062000
R420	1R0 OHM 5% 2W Δ	35005850
R500	1K5 OHM 5% 0,50W	10121880
R515,525,535	15K0 OHM 5% 3W	60132260
R611	0R22 OHM R% 2W R=Y	35854070
R801	4R7 OHM NTC R=Y Δ	35849450
R802,807	1M0 OHM 5% 0,50W Δ	56042190
R805,813	4M7 OHM 5% 0,50W Δ	35923310
R809	56K0 OHM 10% 2W	10151270
R824	22K0 OHM 5% 3W R=Y	35923290
R825	6R8 OHM 5% 2W	90576570
R834,836	0R22 OHM 5% 2W R=Y Δ	35923280
R837	8M2 OHM 5% 1W Δ	56044040
RT801	20R0 20% OHM PTC R=Y Δ	35883440
RT860	5R0 OHM NTC R=Y Δ	35923480
VR800	D15H471 VDR Δ	35849460



C206	150N0F 5% 100V	35854380
C401,404	1N0F 10% 500V	35854180
C403,409,412	390PF 10% 500V	60133270
C408	10UF 20% 250V R=Y	36030530
C411	100U0F 20% 160V	35854130
C414	3N3F 10% 500V	35854190
C416	12N0F 5% 1K6V Δ	35923190
C420	10U0F 20% 160V	35854120
C421	300N0F 5% 250V R=Y Δ	56287060
C500	1N0F 2K0V	14034870
C601,605	220N0F 20% 16V	30935550
C801,802	220N0F 20% 275V R=Y Δ	36031430
C803	100N0F 400V	35854390
C804,805	4N7F 10% 400V Δ	35854250
C806	150U0F 20% 400V	35854140
C808,826,860	10N0F 500V	35854200
C818	10N0F 20% 2KV	35923320
C819	560P0F 20% 2KV	35923330
C821	220P0F 5% 2KV Δ	35892350
C830	330P0F 2KV	35854230
C833,834	470P0F 10% 400V Δ	35849510
C837	1N0F 20% 250V Δ	10660790

R=Y
 Lead Free
 Sans Plomb
 ohne blei
 senza cavo
 sin plomo

For any requests, please contact THOMSON after sales europe area
 Pour toutes précisions, contactez votre service apres vente local THOMSON service europe
 Für weitere Auskünfte, wenden Sie sich bitte an die THOMSON sales europe Kundendienst
 Per precisazioni, contattare l'assistenza tecnica THOMSON sales europe
 Para cualquier pregunta, por favor contactar con el responsable de zona del servicio postventa de THOMSON sales europe

VERSION 1 03 / 2006 36113130
VERSION 2 00 / 0000

1/2

C839	100POF 20% 2KOV	14006310
C840,843	220POF 10% 500V	35851650
C861	4U7F 20% 400V	35923490
C890	100POF 10% 1KOV R=Y	56045640
C891,892	1N5F 10% 2KV	△ 16517220
C894	1000POF 20% 400V	△ 35849500



L411	50UH	60147540
T401	BCT-1012A DRIVER	35923200
T402	FBT BSC25-052T	△ 56044410
T801	36M0H R=Y	△ 35923380
T802	BCK-3578	△ 35923390
T860	BCK-1917A	△ 35923510

OTHER PARTS AUTRES PIECES SONSTIGE TEILE ALTRE PARTI OTRAS PIEZAS

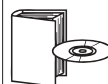
F801	2AT 250V TIME-LAG FUSE △ 48029300 2AT 250V FUSIBLE TEMPORISE 2AT 250V SICHERUNG 2AT 250V FUSIBILE TEMPORIZZATO 2AT 250V FUSIBILE TEMPORIZADO	
K850	SMIT-SH-105PM RELAY △ 35923400 SMIT-SH-105PM RELAIS SMIT-SH-105PM RELAIS SMIT-SH-105PM RELE SMIT-SH-105PM RELE	
P500	CATHODE RAY TUBE SOCKET △ 35923070 SUPPORT TUBE CATHODIQUE BILDROEHRENFASSUNG SUPPORTO TUBO CATODICO SOPORTE T.R.C	
P901	SCART SOCKET 67523300 PRISE PERITEL EURO-AV-BUCHSE EUROPRESA NORMALIZZATA EUROCONNECTOR	
P960	CINCH SOCKET WH-RD-YE 56120450 PRISE CINCH WH-RD-YE CINCH-BUCHSE WH-RD-YE PRESA CINCH WH-RD-YE TOMA CINCH WH-RD-YE	
P964	JACK SOCKET 21428320 PRISE JACK JACK-BUCHSE PRESA JACK TOMA JACK	
S081,082,083,084,085	MICROSWITCH 35923100 MICRO CONTACTEUR MIKROSCHALTER MICROINTERRUPTORE MICROCONTACTOR	
S086	MICROSWITCH R=Y 56122190 MICRO CONTACTEUR R=Y MIKROSCHALTER R=Y MICROINTERRUPTORE R=Y MICROCONTACTOR R=Y	

TU100	TEDE9-284A TUNER 50094920 TEDE9-284A TETE TEDE9-284A TUNER TEDE9-284A TUNER TEDE9-284A SINTONIZADOR	
-------	---	--

EQUIPMENT/PRESENTATION EQUIPEMENT/PRESENTATION AUSSTATTUNG/GEHAEUSE PARTI VARIE EQUIPO/PRESENTACION

FRONT PANEL SI16TH 56331100 FACADE SI16TH FRONTPLATTE SI16TH PANNELLO FRONTALE SI16TH PANEL FRONTAL SI16TH	
LOGO PLAYSONIC 36106210 SCHRIFTZUG PLAYSONIC LOGO PLAYSONIC MARCHIO PLAYSONIC LOGOTIPO PLAYSONIC	
SPACER FRONT PANEL 25587590 ENTRETOISE FACADE DistanzScheibe FRONTPLATTE Distanziatore Pannello Frontale ESPACIADOR PANEL FRONTAL	
REAR PANEL RGY49TH △ 25808280 DOS RGY49TH RUECKWAND RGY49TH PANNELLO POSTERIORE RGY49TH TAPA POSTERIOR RGY49TH	
CHASSIS SUPPORT 25791220 SUPPORT CHASSIS CHASSIS HALTER SUPPORTO CHASSIS SOPORTE CHASSIS	
FAV SUPPORT RGY49TH 25830780 SUPPORT FAV RGY49TH FAV HALTER RGY49TH SUPPORTO FAV RGY49TH SOPORTE FAV RGY49TH	
16RO OHM 3W LOUSPEAKER 30X70MM 25813560 16RO OHM 3W HAUT PARLEUR 30X70MM 16RO OHM 3W LAUTSPRECHER 30X70MM 16RO OHM 3W ALTOPARLANTE 30X70MM 16RO OHM 3W ALTAVOZ 30X70MM	
IR/LED WINDOW 25808140 GLACE IR/LED FENSTER IR/LED VETRO IR/LED CRISTAL IR/LED	
BUTTON ASSY 6T SI16TH 35998040 ENSEMBLE DE TOUCHES 6T SI16TH TASTENEINHEIT 6T SI16TH ASSIEME TASTI 6T SI16TH CONJUNTO DE TECLAS 6T SI16TH	
POWER SUPPLY LEAD 2700MM △ 50076360 CORDON D'ALIMENTATION 2700MM NETZKABEL 2700MM CAVO DI ALIMENTAZIONE 2700MM CABLE DE ALIMENTACION 2700MM	
CORD STOPPER 25307670 ATTACHE CORDON SECTEUR ZUGENTLASTUNG BRIDA CORDONE DI ALIMENTAZIONE SUJECION CABLE DE ALIMENTACION	

A51ELD032X004 CATHODE RAY TUBE △ 56032330 A51ELD032X004 TUBE CATHODIQUE A51ELD032X004 FARBBILDROEHRE A51ELD032X004 TUBO CATODICO A51ELD032X004 T.R.C	
DEGAUSSING COIL 796MM R=Y △ 56120020 BOBINE DEMAGNETISATION 796MM R=Y ENTMAGNETISIERUNGSSPULE 796MM R=Y BOBINA DI SMAGNETIZZAZIONE 796MM R=Y BOBINA DE DESMANTACION 796MM R=Y	
RC111TA1G REMOTE CONTROL 21282860 RC111TA1G TELECOMMANDE RC111TA1G FERNBEDIENUNG RC111TA1G TELECOMANDO RC111TA1G TELEMANDO	
FOLDING BOX 56329230 EMBALLAGE CARTON KARTON IMBALLAGGIO CARTONE EMBALAJE CARTON	
CARTON MIDDLE 25808300 CARTON INTERMEDIAIRE KARTON MITTELTEIL CARTONE MEZZO CARTON MEDIO	
FITTING SET 25808290 ENSEMBLE DE CALES POLSTER KIT ASSIEME DISTANZIATORE CONJUNTO CALZO	



21L0602 PARTS LIST 36113130 21L0602 LISTE DE PIECES DETACHEES 21L0602 ERSATZTEILLISTE 21L0602 LISTA PARTI DI RICAMBIO 21L0602 LISTA DE PIEZAS DE REPUESTO	
ETC009/ETC010 UM PLAYSONIC 50134710 ETC009/ETC010 NU PLAYSONIC ETC009/ETC010 BA PLAYSONIC ETC009/ETC010 IU PLAYSONIC ETC009/ETC010 IU PLAYSONIC	

21L0602

2/2

The description and characteristics given here are of informative significance only, and non committal. To keep up the high quality of our products, we reserve the right to make any changes or improvement without previous notice. • Les descriptions et caractéristiques figurant sur ce document sont données à titre d'information et non d'engagement. En effet, soucieux de la qualité de nos produits, nous nous réservons le droit d'effectuer, sans préavis, toute modification ou amélioration. • Die Beschreibungen und Daten in dieser Anleitung dienen nur zur Information und sind nicht bindend. Um die Qualität unserer Produkte ständig zu verbessern, behalten wir uns das Recht auf Änderungen vor. • Le descrizioni e le caratteristiche date su questo documento sono fornite a semplice titolo informativo e senza impegno. Ci riserviamo il diritto di eseguire, senza preavviso, qualsiasi modifica o miglioramento. • Las descripciones y características que figuran en este documento se dan a título de información y no de compromiso. En efecto, en bien de la calidad de nuestros productos, nos reservamos el derecho de efectuar, sin previo aviso, cualquier modificación o mejora.

PARTS LIST
LISTE PIECES DETACHEES
ERSATZTEILLISTE
LISTA PARTI DI RICAMBIO
LISTA DE PIEZAS DE REPUESTO

SABA
M55175T
Chassis ETC009

MODULES

MAIN	ETC009 T8-D4511J-MANW	56328640
CRT	CRT T8-D4501J-CRY	56265100
FCB	FCB T8-D5571J-S11	56062270
KB	KB T8-D4511J-KEY	56324090



IC001	M24C16-WBN6	20977300
IC201	TDA12020H/N1F00 UOC3 R=Y	56286960
IC300	STV9302B	60211650
IC601	TDA7266SA	35892060
IC801	TDA16846-2	60130550
IC860	TEA1520P	56043080
IR081	HRM533AA5100 (RIR)	21427450



Q001,805	2SD2012 3A 60V R=Y	56089530
Q002,850	2SC1815Y	20508030
Q102,201,202,281,602,900,902,903	BC847C SMD	90618810
Q200,203	BC327-40	16000450
Q204,205	BC857A SMD	35849760
Q206,207,208,280,601,901	BC857C SMD	50854389
Q401	BC639	16001240
Q402	2SC5885	21428060
Q511,521,531	3DA4544 300V R=Y	56124540
Q512,522,532	BF422	16003090
Q513,523,533	BF423	16003110
Q801	2SK2996	35853760



D002,204,404,832	BZX79C5V6 0,50W	56036960
D003,306	BZX79C3V9 0,50W	16518650
D005,006,100,270,271,272,281,300,305,307,308,600,807,810,850	1N4148	44009209
D081	FB205 LED	35853860
D102	BZX79C33V 0,50W	35923130

D104,105,106	BA982-GS08 SMD	35849800
D280	BZX79C24V 0,50W	56039590
D304	BZX79C24V 0,50W	16518640
D309,413,834	1N4001 50V/1A R=Y	36038140
D400	1N4002	11070780
D401,402,403,806	FR104	20569370
D405,833	1N4004	11073460
D500	BAV21	44044407
D511,521,531	LL4148 SMD R=Y	36103600
D801,802,803,804	RL255 R=Y	60145840
D805,860	1H8 R=Y	60129950
D824	RU3C	35853580
D831	BYW29-200 DIODE	16009090
D861,862,863,864	1N4007	16008210
D865	FR102 1A 100V R=Y	56039650
D868	UF4004/16 400V	35861820
D900	BZX79C8V2 0,50W	35853620
D901,902,903,907	BZX79C6V2 1/2W 5%	35907120
D904	ZMM5.6 2% SMD	10291310



Z101	33M9HZ K9453D FOS	20992100
Z102	37M4HZ K3953-D100 R=Y FOS	35849850
Z200	24M576HZ	60141410



L001,002,003,004,101,200,203,204,205,207,208,209,210	10UH 10%	60141070
L202,211	10UH 10%	60134230
L801	0,6UH 10%	60141090
L802,803,861	100UH	35854430



VR801	5K0 OHM	35854100
--------------	---------	----------



R313	1R0 OHM 1W	35854050
R403,405,409,418	0R22 OHM 5% 0,50W R=Y	△ 56062000
R420	1R0 OHM 5% 2W	△ 35005850
R500	1K5 OHM 5% 0,50W	10121880
R515,525,535	15K0 OHM 5% 3W	60132260
R611	0R22 OHM R% 2W R=Y	35854070
R801	4R7 OHM NTC R=Y	△ 35849450
R802,807	1M0 OHM 5% 0,50W	△ 56042190
R805,813	4M7 OHM 5% 0,50W	△ 35923310
R809	56K0 OHM 10% 2W	10151270
R824	22K0 OHM 5% 3W R=Y	35923290
R825	6R8 OHM 5% 2W	90576570
R834,836	0R22 OHM 5% 2W R=Y	△ 35923280
R837	8M2 OHM 5% 1W	△ 56044040
RT801	20R0 20% OHM PTC R=Y	△ 35883440
RT860	5R0 OHM NTC R=Y	△ 35923480
VR800	D15H471 VDR	△ 35849460



C206	150N0F 5% 100V	35854380
C401,404	1N0F 10% 500V	35854180
C403,409,412	390PF 10% 500V	60133270
C405	100N0F 5% 100V	35854370
C408	10UF 20% 250V	13039480
C411	100U0F 20% 160V	35854130
C414	3N3F 10% 500V	35854190
C416	12N0F 5% 1K6V	△ 35923190
C421	330N0F 250V	△ 35854290
C500	1N0F 2K0V	14034870
C501,502	4U7F 20% 250V	43423400
C601,605	220N0F 20% 16V	30935550
C801,802	220N0F 20% 275V	△ 30745000
C803	100N0F 400V	35854390
C804,805	4N7F 10% 400V	△ 35854250
C806	150U0F 20% 400V	35854140
C808,826,860	10N0F 500V	35854200
C818	10N0F 20% 2KV	35923320
C819	560P0F 20% 2KV	35923330
C821	220P0F 5% 2KV	△ 35892350
C830	330P0F 2KV	35854230
C833,834	470P0F 10% 400V	△ 35849510
C837	1N0F 20% 250V	△ 10660790

R=Y
 Lead Free
 Sans Plomb
 ohne blei
 senza cavo
 sin plomo

For any requests, please contact THOMSON after sales europe area
 Pour toutes précisions, contactez votre service apres vente local THOMSON service europe
 Für weitere Auskünfte, wenden Sie sich bitte an die THOMSON sales europe Kundendienst
 Per precisazioni, contattare l'assistenza tecnica THOMSON sales europe
 Para cualquier pregunta, por favor contactar con el responsable de zona del servicio postventa de THOMSON sales europe

VERSION 1 03 / 2006 36114550
VERSION 2 00 / 0000

1/2

C839	100POF 20% 2KOV	14006310
C840,843	220POF 10% 500V	35851650
C861	4U7F 20% 400V	35923490
C890	100POF 10% 1KOV R=Y	56045640
C891,892	1N5F 10% 2KV	△ 16517220
C894	1000POF 20% 400V	△ 35849500



L411	50UH	60147540
T401	BCT-1012A DRIVER	35923200
T402	FBT BSC25-052T	△ 56044410
T801	36M0H R=Y	35923380
T802	BCK-3578	△ 35923390
T860	BCK-1917A	△ 35923510

OTHER PARTS AUTRES PIECES SONSTIGE TEILE ALTRE PARTI OTRAS PIEZAS

CH200	ON/OFF SWITCH MSB2000 CONTACTEUR MARCHE/ARRET MSB2000 EIN-AUS SCHALTER MSB2000 CONTATTORE ACCESO/ SPENTO MSB2000 CONTACTOR MARCHA/PARADA MSB2000	△ 10276500
F801	2AT 250V TIME-LAG FUSE R=Y 2AT 250V FUSIBLE TEMPORISE R=Y 2AT 250V SICHERUNG R=Y 2AT 250V FUSIBILE TEMPORIZATO R=Y 2AT 250V FUSIBLE TEMPORIZADO R=Y	△ 5501562A
K850	SMIT-SH-105PM RELAY SMIT-SH-105PM RELAIS SMIT-SH-105PM RELAIS SMIT-SH-105PM RELE SMIT-SH-105PM RELE	△ 35923400
P500	CATHODE RAY TUBE SOCKET SUPPORT TUBE CATHODIQUE BILDROEHRENFASSUNG SUPPORTO TUBO CATODICO SOPORTE T.R.C	△ 35923070
P901	SCART SOCKET PRISE PERITEL EURO-AV-BUCHSE EUROPRESA NORMALIZZATA EUROCONNECTOR	67523300
P960	CINCH SOCKET WH-RD-YE PRISE CINCH WH-RD-YE CINCH-BUCHSE WH-RD-YE PRESA CINCH WH-RD-YE TOMA CINCH WH-RD-YE	56120450
P964	JACK SOCKET PRISE JACK JACK-BUCHSE PRESA JACK TOMA JACK	△ 21428320

S082,083,084, 085	MICROSWITCH MICRO CONTACTEUR MIKROSCHALTER MICROINTERRUTTORE MICROCONTACTOR	35923100
TU100	TEDE9-284A TUNER TEDE9-284A TETE TEDE9-284A TUNER TEDE9-284A TUNER TEDE9-284A SINTONIZADOR	50094920

EQUIPMENT/PRESENTATION EQUIPEMENT/PRESENTATION AUSSTATTUNG/GEHAEUSE PARTI VARIE EQUIPO/PRESENTACION

FRONT PANEL AND BUTTON SI16TH FACADE ET TOUCHES SI16TH FRONTPLATTE UND TASTE SI16TH PANNELLO FRONTALE ET TASTO SI16TH PANEL FRONTAL Y TECLA SI16TH	25783520
SPACER FRONT PANEL ENTRETOISE FACADE DistanzScheibe FRONTPLATTE Distanziatore Pannello Frontale ESPACIADOR PANEL FRONTAL	25335930
REAR PANEL DOS RUECKWAND PANNELLO POSTERIORE TAPA POSTERIOR	△ 36003570
JACK TRIM SI16TH ENJOLIVEUR PRISES SI16TH ZERRAHMEN BUCHSE SI16TH FINIZIONE PRESA SI16TH EMBELLECEDOR TOMA SI16TH	25783540
LED WINDOW GLACE LED LED FENSTER VETRO LED CRISTAL LED	25333240
FLAP SI16TH VOLET SI16TH KLAPPE SI16TH SPORTELLO SI16TH TAPA SI16TH	25783560
LOGO SABA LOGO SABA SCHRIFTZUG SABA MARCHIO SABA LOGOTIPO SABA	25295070
CHASSIS SUPPORT SUPPORT CHASSIS CHASSIS HALTER SUPPORTO CHASSIS SOPORTE CHASSIS	25791220
8R OHM 15W LOUDSPEAKER 50X90 8R OHM 15W HAUT PARLEUR 50X90 8R OHM 15W LAUTSPRECHER 50X90 8R OHM 15W ALTOPARLANTE 50X90 8R OHM 15W ALTAVOZ 50X90	25651640
ON/OFF SWITCH SUPPORT SUPPORT CONTACTEUR MARCHE/ARRET HALTER EIN-AUS SCHALTER SUPPORTO CONTATTORE ACCESO/SPENTO SOPORTE CONTACTOR MARCHA/PARADA	25425050

BUSH 16X90 AMORTISSEUR 16X90 DAEMPFER 16X90 AMMORTIZZATORE 16X90 AMORTIGUADOR 16X90	25144930
ON/OFF BUTTON SI16TH TOUCHE MARCHE/ARRET SI16TH EIN-AUS TASTE SI16TH TASTO ACCESO/SPENTO SI16TH TECLA MARCHA/PARADA SI16TH	25619420
POWER SUPPLY LEAD CORDON D'ALIMENTATION NETZKABEL CAVO DI ALIMENTAZIONE CABLE DE ALIMENTACION	△ 10260880
A51EFS13X701 CATHODE RAY TUBE A51EFS13X701 TUBE CATHODIQUE A51EFS13X701 FARBBILDROEHRE A51EFS13X701 TUBO CATODICO A51EFS13X701 T.R.C	△ 10799470
DEGAUSSING COIL 796MM R=Y BOBINE DEMAGNETISATION 796MM R=Y ENTMAGNETISIERUNGSSPULE 796MM R=Y BOBINA DI SMAGNETIZZAZIONE 796MM R=Y BOBINA DE DESMANTACION 796MM R=Y	△ 56120020
RCTMB105 REMOTE CONTROL RCTMB105 TELECOMMANDE RCTMB105 FERNBEDIENUNG RCTMB105 TELECOMANDO RCTMB105 TELEMANDO	56092250
FOLDING BOX EMBALLAGE CARTON KARTON IMBALLAGGIO CARTONE EMBALAJE CARTON	35989490
FITTING UPPER CALE SUPERIEURE POLSTER OBEN Distanziatore Inferiore CALZO SUPERIOR	25711950
FITTING DOWNER CALE INFERIEURE POLSTER UNTEN Distanziatore Inferiore CALZO INFERIOR	25711810



M55175T PARTS LIST M55175T LISTE DE PIECES DETACHEES M55175T ERSATZTEILLISTE M55175T LISTA PARTI DI RICAMBIO M55175T LISTA DE PIEZAS DE REPUESTO	36114550
ETC009/ETC010 UM ETC009/ETC010 NU ETC009/ETC010 BA ETC009/ETC010 IU ETC009/ETC010 IU	50094090

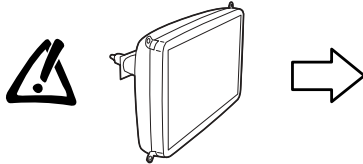
M55175T

2/2

The description and characteristics given here are of informative significance only, and non committal. To keep up the high quality of our products, we reserve the right to make any changes or improvement without previous notice. • Les descriptions et caractéristiques figurant sur ce document sont données à titre d'information et non d'engagement. En effet, soucieux de la qualité de nos produits, nous nous réservons le droit d'effectuer, sans préavis, toute modification ou amélioration. • Die Beschreibungen und Daten in dieser Anleitung dienen nur zur Information und sind nicht bindend. Um die Qualität unserer Produkte ständig zu verbessern, behalten wir uns das Recht auf Änderungen vor. • Le descrizioni e le caratteristiche date su questo documento sono fornite a semplice titolo informativo e senza impegno. Ci riserviamo il diritto di eseguire, senza preavviso, qualsiasi modifica o miglioramento. • Las descripciones y características que figuran en este documento se dan a título de información y no de compromiso. En efecto, en bien de la calidad de nuestros productos, nos reservamos el derecho de efectuar, sin previo aviso, cualquier modificación o mejora.

PARTS LIST
LISTE PIECES DETACHEES
ERSATZTEILLISTE
LISTA PARTI DI RICAMBIO
LISTA DE PIEZAS DE REPUESTO

THOMSON
21DC320T
Chassis ETC009



A51ERS357X440	▷	Version 1 : 21DC320T1
A51ELD032X004	▷	Version 2 : 21DC320T2

21DC320T Version 1

MODULES

MAIN	ETC009 T8-D5071J-MANHM	56287280
CRT	CRT T8-D5071J-CRY	56287320
DPC	DPC T8-D5071J-DPY	56287310
KB	KB T8-D5071J-KEY	56287300



IC001	M24C16-WBN6	20977300
IC201	TDA12020H/N1F00 UOC3 R=Y	56286960
IC300	STV8172A	56012920
IC601	TDA7266SA	35892060
IC801	TDA16846-2	60130550
IC860	TEA1520P	56043080
IR081	HRM533AA5100 (RIR)	21427450



Q001	2SD2012	10221820
Q002,850	2SC1815Y	20508030
Q102,201,202,281,602,900,902,903	BC847C SMD	90618810
Q200,203	BC327-40	16000450
Q204,205	BC857A SMD	35849760
Q206,207,208,280,601,901	BC857C SMD	50854389
Q401	BC639	16001240
Q402	3DD1556 R=Y	60130310
Q450	IRF630FP	25453960
Q511,521,531	3DA4544 300V R=Y	56124540
Q512,522,532	BF422	16003090
Q513,523,533	BF423	16003110
Q801	2SK3115	56045770
Q805	2SD2012 3A 60V R=Y	56089530



D002,204,404,832	BZX79C5V6 0,50W	56036960
D003,306	BZX79C3V9 0,50W	16518650
D005,006,100,270,271,272,281,300,305,307,308,450,600,807,810,850	1N4148 R=Y	36028130
D081A	FB205 LED	35853860
D102	BZX79C33V 0,50W	35923130
D104,105,106	BA982-GS08 SMD	35849800
D280	BZX79C24V 0,50W	56039590
D304	BZX79C2V4 0,50W	16518640
D309,413,834	1N4001	16008160
D400,401,402,403,422,806	FR104	20569370
D405,833	RG30MT	10450220
D421	BY228 R=Y	36028680
D500	BAV21 R=Y	36030550
D511,521,531	LL4148 SMD	16012450
D801,802,803,804	RL255 R=Y	60145840
D805,860	1H8 R=Y	60129950
D824	RU3C	35853580
D831	BYW29-200 DIODE	16009090
D861,862,863,864	1N4007 R=Y	55961730
D865	FR102 1A 100V R=Y	56039650
D868	UF4004/16 400V	35861820
D900,901,902,903,905,907	BZX79C6V2 1/2W 5%	35907120
D904,906	BZV55C5V6 SMD R=Y	56259900
D908	BZX79C8V2 0,50W	35853620



Z101	33M9HZ K9453D FOS	20992100
Z102	37M4HZ K3953-D100 R=Y FOS	35849850
Z200	24M576HZ	60141410



L001,002,003,004,101,200,203,204,205,207,208,209,210	10UH 10%	60141070
L202,211	10UH 10%	60134230
L411	300UH R=Y	35886170
L801	0,6UH 10%	60141090
L802,803,861	100UH	35854430



R313	1R0 OHM 1W	35854050
R321	1R5 5% OHM 2W	35853940
R403,405,409,418	0R22 OHM 5% 0,50W R=Y	56062000
R420	13R3 OHM 5% 2W R=Y	35853880
R451	3R9 OHM 2W	35853960
R500	1K5 OHM 5% 0,50W	10121880
R515,525,525,535	15K0 OHM 5% 3W	60132260
R611	0R22 OHM R% 2W R=Y	35854070
R801	4R7 OHM NTC R=Y	35849450
R802	1M0 OHM 5% 0,50W	56042190
R805,813	4M7 OHM 5% 0,50W	35923310
R809	56K0 OHM 10% 2W	10151270
R820,824	120R0 OHM 5% 2W R=Y	13001280
R825	6R8 OHM 5% 2W	90576570
R834,836	0R22 OHM 5% 2W R=Y	35923280
R837	8M2 OHM 5% 1W	56044040
RT801	20R0 20% OHM PTC R=Y	35883440

Lead Free
 Sans Plomb
R=Y
 ohne blei
 senza cavo
 sin plomo

For any requests, please contact THOMSON after sales europe area
 Pour toutes précisions, contactez votre service apres vente local THOMSON service europe
 Für weitere Auskünfte, wenden Sie sich bitte an die THOMSON sales europe Kundendienst
 Per precisazioni, contattare l'assistenza tecnica THOMSON sales europe
 Para cualquier pregunta, por favor contactar con el responsable de zona del servicio postventa de THOMSON sales europe

VERSION 1 05 / 2006 36117010
VERSION 2 00 / 0000

RT860	5R0 OHM NTC R=Y	△ 35923480
VR800	D15H471 VDR	△ 35849460



C148	22NOF 5% 400V R=Y	△ 56287070
C206	150NOF 5% 100V	35854380
C401,404	1NOF 10% 500V	35854180
C403,409,412	390PF 10% 500V	60133270
C405	100NOF 5% 100V	35854370
C408	10UF 20% 250V R=Y	36030530
C411	100UOF 20% 160V	35854130
C414	3N3F 10% 500V	35854190
C416	12NOF 5% 1K6V	△ 35923190
C417	3N3F 5% 1K6V R=Y	△ 56287090
C419	4N3F 5% 1K6V R=Y	△ 35854340
C420	10UOF 20% 160V	35854120
C421	330NOF 250V	△ 35854290
C423	68NOF 5% 400V R=Y	56287110
C500	1NOF 2K0V	14034870
C605	220NOF 20% 16V	30935550
C801,802	220NOF 20% 275V R=Y	△ 36031430
C803	100NOF 400V	35854390
C804,805	4N7F 10% 400V	35854250
C806	150UOF 20% 400V	35854140
C808,826,860	10NOF 500V	35854200
C818	10NOF 20% 2KV	35923320
C819	560POF 20% 2KV	35923330
C821	220POF 5% 2KV	35892350
C830	330POF 2KV	35854230
C833,834	470POF 10% 400V	△ 35849510
C837	1NOF 20% 250V	△ 10660790
C839	100POF 20% 2K0V	14006310
C840,843	220POF 10% 500V	35851650
C890	100POF 10% 1K0V	35923500
C891,892	1N5F 10% 2KV	△ 16517220
C894	1000POF 20% 400V	△ 35849500



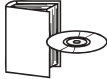
L412	21UOH 15% R=Y	△ 56092360
L450	800UH	60127530
T401	BCT-1012A DRIVER	35923200
T402	FBT BSC25-052T	△ 56044410
T801	36M0H R=Y	△ 35923380
T802	BCK-4038 R=Y	△ 56287120
T860	BCK-1917A	△ 35923510

OTHER PARTS AUTRES PIECES SONSTIGE TEILE ALTRE PARTI OTRAS PIEZAS

CH200	ON/OFF SWITCH MSB2000 CONTACTEUR MARCHE/ARRET MSB2000 EIN-AUS SCHALTER MSB2000 CONTATTORE ACCESO/ SPENTO MSB2000 CONTACTOR MARCHA/PARADA MSB2000	△ 10276500
F801	2AT 250V TIME-LAG FUSE 2AT 250V FUSIBLE TEMPORISE 2AT 250V SICHERUNG 2AT 250V FUSIBILE TEMPORIZZATO 2AT 250V FUSIBLE TEMPORIZADO	△ 48029300
K850	SMIT-SH-105PM RELAY SMIT-SH-105PM RELAIS SMIT-SH-105PM RELAIS SMIT-SH-105PM RELE SMIT-SH-105PM RELE	35923400
P500	CATHODE RAY TUBE SOCKET SUPPORT TUBE CATHODIQUE BILDROEHRENFASSUNG SUPPORTO TUBO CATODICO SOPORTE T.R.C	△ 35923070
P901	SCART SOCKET R=Y PRISE PERITEL R=Y EURO-AV-BUCHSE R=Y EUROPRESA NORMALIZZATA R=Y EUROCONNECTOR R=Y	36038220
P960	CINCH SOCKET WH-RD-YE PRISE CINCH WH-RD-YE CINCH-BUCHSE WH-RD-YE PRESA CINCH WH-RD-YE TOMA CINCH WH-RD-YE	56120450
P961	SVHS SOCKET PRISE SVHS BUCHSE SVHS PRESA SVHS TOMA SVHS	56099550
P964	JACK SOCKET PRISE JACK JACK-BUCHSE PRESA JACK TOMA JACK	△ 21428320
S081,082,083, 084,085,086	MICROSWITCH MICRO CONTACTEUR MIKROSCHALTER MICROINTERRUPTORE MICROCONTACTOR	35923100
TU100	TEDE9-284A TUNER TEDE9-284A TETE TEDE9-284A TUNER TEDE9-284A TUNER TEDE9-284A SINTONIZADOR	50094920

EQUIPMENT/PRESENTATION EQUIPEMENT/PRESENTATION AUSSTATTUNG/GEHAEUSE PARTI VARIE EQUIPO/PRESENTACION

FRONT PANEL AL01TH FACADE AL01TH FRONTPLATTE AL01TH PANNELLO FRONTALE AL01TH PANEL FRONTAL AL01TH	36010780
REAR PANEL RGY49TH DOS RGY49TH RUECKWAND RGY49TH PANNELLO POSTERIORE RGY49TH TAPA POSTERIOR RGY49TH	△ 25837790
INFRARED WINDOW GLACE INFRAROUGE INFRAROTFENSTER VETRO INFRAROSSO CRISTAL INFRARROJO	25741280
CHASSIS SUPPORT SUPPORT CHASSIS CHASSIS HALTER SUPPORTO CHASSIS SOPORTE CHASSIS	25791220
FCB SUPPORT RGY49TH SUPPORT FCB RGY49TH FCB HALTER RGY49TH SUPPORTO FCB RGY49TH SOPORTE FCB RGY49TH	25726830
8R OHM 15W LOUDSPEAKER 50X90 8R OHM 15W HAUT PARLEUR 50X90 8R OHM 15W LAUTSPRECHER 50X90 8R OHM 15W ALTOPARLANTE 50X90 8R OHM 15W ALTAVOZ 50X90	25651640
ON/OFF SWITCH SUPPORT SUPPORT CONTACTEUR MARCHE/ARRET HALTER EIN-AUS SCHALTER SUPPORTO CONTATTORE ACCESO/SPENTO SOPORTE CONTACTOR MARCHA/PARADA	25514910
ON/OFF BUTTON AL01TH TOUCHE MARCHE/ARRET AL01TH EIN-AUS TASTE AL01TH TASTO ACCESO/SPENTO AL01TH TECLA MARCHA/PARADA AL01TH	25750430
BUTTON 5T ASSY AL01TH ENSEMBLE DE TOUCHES 5T AL01TH TASTENEINHEIT 5T AL01TH ASSIEME TASTI 5T AL01TH CONJUNTO DE TECLAS 5T AL01TH	36022690
POWER SUPPLY LEAD CORDON D'ALIMENTATION NETZKABEL CAVO DI ALIMENTAZIONE CABLE DE ALIMENTACION	△ 10260880
CORD STOPPER ATTACHE CORDON SECTEUR ZUGENTLASTUNG BRIDA CORDONE DI ALIMENTAZIONE SUJECION CABLE DE ALIMENTACION	25307670
A51ERS357X440 CATHODE RAY TUBE A51ERS357X440 TUBE CATHODIQUE A51ERS357X440 FARBBILDROEHRE A51ERS357X440 TUBO CATODICO A51ERS357X440 T.R.C	△ 56288420
DEGAUSSING COIL 796MM R=Y BOBINE DEMAGNETISATION 796MM R=Y ENTMAGNETISIERUNGSSPULE 796MM R=Y BOBINA DI SMAGNETIZZAZIONE 796MM R=Y BOBINA DE DESMANTACION 796MM R=Y	△ 56120020
RC311TA1G REMOTE CONTROL RC311TA1G TELECOMMANDE RC311TA1G FERNBEDIENUNG RC311TA1G TELECOMANDO RC311TA1G TELEMANDO	21282880

FOLDING BOX EMBALLAGE CARTON KARTON IMBALLAGGIO CARTONE EMBALAJE CARTON	25737160		
FITTING UPPER CALE SUPERIEURE POLSTER OBEN DISTANZIATORE SUPERIORE CALZO SUPERIOR UPPER	25737130		
FITTING DOWNER CALE INFERIEURE POLSTER UNTEN DISTANZIATORE INFERIORE CALZO INFERIOR	25737140		
			
21DC320T PARTS LIST 21DC320T LISTE DE PIECES DETACHEES 21DC320T ERSATZTEILLISTE 21DC320T LISTA PARTI DI RICAMBIO 21DC320T LISTA DE PIEZAS DE REPUESTO	36117010		
ETC009/ETC010 UM ETC009/ETC010 NU ETC009/ETC010 BA ETC009/ETC010 IU ETC009/ETC010 IU	50094090		

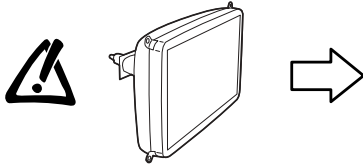
21DC320T

3/6

The description and characteristics given here are of informative significance only, and non committal. To keep up the high quality of our products, we reserve the right to make any changes or improvement without previous notice. • Les descriptions et caractéristiques figurant sur ce document sont données à titre d'information et non d'engagement. En effet, soucieux de la qualité de nos produits, nous nous réservons le droit d'effectuer, sans préavis, toute modification ou amélioration. • Die Beschreibungen und Daten in dieser Anleitung dienen nur zur Information und sind nicht bindend. Um die Qualität unserer Produkte ständig zu verbessern, behalten wir uns das Recht auf Änderungen vor. • Le descrizioni e le caratteristiche date su questo documento sono fornite a semplice titolo informativo e senza impegno. Ci riserviamo il diritto di eseguire, senza preavviso, qualsiasi modifica o miglioramento. • Las descripciones y características que figuran en este documento se dan a título de información y no de compromiso. En efecto, en bien de la calidad de nuestros productos, nos reservamos el derecho de efectuar, sin previo aviso, cualquier modificación o mejora.

PARTS LIST
LISTE PIECES DETACHEES
ERSATZTEILLISTE
LISTA PARTI DI RICAMBIO
LISTA DE PIEZAS DE REPUESTO

THOMSON
21DC320T
Chassis ETC009



A51ERS357X440	▷	Version 1 : 21DC320T1
A51ELD032X004	▷	Version 2 : 21DC320T2

21DC320T Version 2

MODULES

MAIN	ETC009 T8-D5071J-MAN	56287340
CRT	CRT T8-D5071J-CRY	56287320
DPC	DPC T8-D5071J-DPY	56287310
KB	KB T8-D5071J-KEY	56287300



IC001	M24C16-WBN6 R=Y	36103960
IC201	TDA12020H/N1F00 UOC3 R=Y	56286960
IC300	STV8172A	56012920
IC601	TDA7266SA	35892060
IC801	TDA16846-2	60130550
IC860	TEA1520P	56043080
IR081	HRM533AA5100 (RIR)	21427450



Q001,805	2SD2012 3A 60V R=Y	56089530
Q002,850	2SC1815Y	20508030
Q102,201,202,281,602,900,902,903	BC847C SMD	90618810
Q200,203	BC327-40	16000450
Q204,205	BC857A SMD	35849760
Q206,207,208,280,601,901	BC857C SMD	50854389
Q401	BC639	16001240
Q402	3DD1556 R=Y	60130310
Q450	IRF630FP	25453960
Q511,521,531	3DA4544 300V R=Y	56124540
Q512,522,532	BF422	16003090
Q513,523,533	BF423	16003110
Q801	2SK3115	56045770



D002,204,404,832	BZX79C5V6 0,50W	56036960
D003,306	BZX79C3V9 0,50W	16518650
D005,006,100,270,271,272,281,300,305,307,308,450,600,807,810,850	1N4148 R=Y	36028130
D081	FB205 LED	35853860
D102	BZX79C33V 0,50W	35923130
D104,105,106	BA982-GS08 SMD	35849800
D280	BZX79C24V 0,50W	56039590
D304	BZX79C2V4 0,50W	16518640
D309,413,834	1N4001 50V/1A R=Y	36038140
D400,401,402,403,422,806	FR104	20569370
D405,833	RG30MT	10450220
D421	BY228 R=Y	36028680
D500	BAV21 R=Y	36030550
D511,521,531	LL4148 SMD R=Y	36103600
D801,802,803,804	RL255 R=Y	60145840
D805,860	1H8 R=Y	60129950
D824	RU3C	35853580
D831	BYW29-200 DIODE	16009090
D861,862,863,864	1N4007 R=Y	55961730
D865	FR102 1A 100V R=Y	56039650
D868	UF4004/16 400V	35861820
D900,901,902,903,905,907	BZX79C6V2 1/2W 5%	35907120
D904,906	ZMM5.6 2% SMD	10291310
D908	BZX79C8V2 0,50W	35853620



Z101	33M9HZ K9453D FOS	20992100
Z102	37M4HZ K3953-D100 R=Y FOS	35849850
Z200	24M576HZ	60141410



L001,002,003,004,101,200,203,204,205,207,208,209,210	10UH 10%	60141070
L202,211	10UH 10%	60134230
L411	300UH R=Y	35886170
L501	10UH	10260220
L801	0,6UH 10%	60141090
L802,803,861	100UH	35854430



VR801	5K0 OHM	35854100
--------------	---------	----------



R313	1R0 OHM 1W	35854050
R403,405,409,418	0R22 OHM 5% 0,50W R=Y Δ	56062000
R411	1K2 OHM 5% 2W	10134060
R420	2R2 OHM 5% 2W R=Y Δ	35886160
R451	3R9 OHM 2W	35853960
R500	1K5 OHM 5% 0,50W	10121880
R515,525,525,535	15K0 OHM 5% 3W	60132260
R611	0R22 OHM R% 2W R=Y	35854070
R801	4R7 OHM NTC R=Y Δ	35849450
R802,807	1M0 OHM 5% 0,50W Δ	56042190
R805,813	4M7 OHM 5% 0,50W Δ	35923310

R=Y
 Lead Free
 Sans Plomb
 ohne blei
 senza cavo
 sin plomo

For any requests, please contact THOMSON after sales europe area
 Pour toutes précisions, contactez votre service apres vente local THOMSON service europe
 Für weitere Auskünfte, wenden Sie sich bitte an die THOMSON sales europe Kundendienst
 Per precisazioni, contattare l'assistenza tecnica THOMSON sales europe
 Para cualquier pregunta, por favor contactar con el responsable de zona del servicio postventa de THOMSON sales europe

VERSION 1 05 / 2006 36117010
VERSION 2 00 / 0000

R809	56K0 OHM 10% 2W	10151270
R820	120R0 OHM 5% 2W R=Y	13001280
R824	22K0 OHM 5% 3W R=Y	35923290
R825	6R8 OHM 5% 2W	90576570
R834,836	0R22 OHM 5% 2W R=Y	△ 35923280
R837	8M2 OHM 5% 1W	△ 56044040
RT801	20R0 20% OHM PTC R=Y	△ 35883440
RT860	5R0 OHM NTC R=Y	△ 35923480
VR800	14D471K VDR R=Y	△ 56289960



C148,148	22N0F 5% 400V R=Y	△ 56287070
C206	150N0F 5% 100V	35854380
C401,404	1N0F 10% 500V	35854180
C403,409,412	390PF 10% 500V	60133270
C405	100N0F 5% 100V	35854370
C411	100U0F 20% 160V	35854130
C414	3N3F 10% 500V	35854190
C416	12N0F 5% 1K6V	△ 35923190
C417	4N3F 5% 1K6V	△ 60153390
C419	3N3F 5% 1K6V	43423600
C420	10U0F 20% 160V	35854120
C421	300N0F 5% 250V R=Y	△ 56287060
C423	68N0F 5% 400V R=Y	56287110
C500	1N0F 2K0V	14034870
C605	220N0F 20% 16V	30935550
C801,802	220N0F 20% 275V R=Y	△ 36031430
C803	100N0F 400V	35854390
C804,805	4N7F 10% 400V	△ 35854250
C806	150U0F 20% 400V	35854140
C808,826,860	10N0F 500V	35854200
C818	10N0F 20% 2KV	35923320
C819	560P0F 20% 2KV	35923330
C821	220P0F 5% 2KV	△ 35892350
C830	330P0F 2KV	35854230
C833,834	470P0F 10% 400V	△ 35849510
C837	1N0F 20% 250V	△ 10660790
C839	100P0F 20% 2K0V	14006310
C840,843	220P0F 10% 500V	35851650
C891,892	1N5F 10% 2KV	△ 16517220
C894	1000P0F 20% 400V	△ 35849500



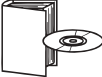
L412	21U0H 15% R=Y	56092360
L450	800UH	60127530
T401	BCT-1012B DRIVER	35923790
T402	FBT BSC25-052T	△ 56044410
T801	36M0H R=Y	△ 35923380
T802	BCK-4038 R=Y	△ 56287120
T860	BCK-1917A	△ 35923510

OTHER PARTS AUTRES PIECES SONSTIGE TEILE ALTRE PARTI OTRAS PIEZAS

CH200	ON/OFF SWITCH MSB2000 CONTACTEUR MARCHE/ARRET MSB2000 EIN-AUS SCHALTER MSB2000 CONTATTORE ACCESO/ SPENTO MSB2000 CONTACTOR MARCHA/PARADA MSB2000	△ 10276500
F801	2AT 250V TIME-LAG FUSE R=Y 2AT 250V FUSIBLE TEMPORISE R=Y 2AT 250V SICHERUNG R=Y 2AT 250V FUSIBILE TEMPORIZZATO R=Y 2AT 250V FUSIBLE TEMPORIZADO R=Y	△ 5501562A
K850	SMIT-SH-105PM RELAY SMIT-SH-105PM RELAIS SMIT-SH-105PM RELAIS SMIT-SH-105PM RELE SMIT-SH-105PM RELE	△ 35923400
P500	CATHODE RAY TUBE SOCKET SUPPORT TUBE CATHODIQUE BILDROEHRENFASSUNG SUPPORTO TUBO CATODICO SOPORTE T.R.C	△ 35923070
P901	SCART SOCKET R=Y PRISE PERITEL R=Y EURO-AV-BUCHSE R=Y EUROPRESA NORMALIZZATA R=Y EUROCONECTOR R=Y	36038220
P960	CINCH SOCKET WH-RD-YE PRISE CINCH WH-RD-YE CINCH-BUCHSE WH-RD-YE PRESA CINCH WH-RD-YE TOMA CINCH WH-RD-YE	56120450
P961	SVHS SOCKET PRISE SVHS BUCHSE SVHS PRESA SVHS TOMA SVHS	56099550
P964	JACK SOCKET PRISE JACK JACK-BUCHSE PRESA JACK TOMA JACK	△ 21428320
S081,082,083, 084,085,086	MICROSWITCH MICRO CONTACTEUR MIKROSCHALTER MICROINTERRUPTORE MICROCONTACTOR	35923100
TU100	TEDE9-284A TUNER TEDE9-284A TETE TEDE9-284A TUNER TEDE9-284A TUNER TEDE9-284A SINTONIZADOR	50094920

EQUIPMENT/PRESENTATION EQUIPEMENT/PRESENTATION AUSSTATTUNG/GEHAEUSE PARTI VARIE EQUIPO/PRESENTACION

FRONT PANEL AL01TH FACADE AL01TH FRONTPLATTE AL01TH PANNELLO FRONTALE AL01TH PANEL FRONTAL AL01TH	36010780
REAR PANEL RGY49TH DOS RGY49TH RUECKWAND RGY49TH PANNELLO POSTERIORE RGY49TH TAPA POSTERIOR RGY49TH	△ 25837790
INFRARED WINDOW GLACE INFRAROUGE INFRAROTFENSTER VETRO INFRAROSSO CRISTAL INFRARROJO	25741280
CHASSIS SUPPORT SUPPORT CHASSIS CHASSIS HALTER SUPPORTO CHASSIS SOPORTE CHASSIS	25791220
FCB SUPPORT RGY49TH SUPPORT FCB RGY49TH FCB HALTER RGY49TH SUPPORTO FCB RGY49TH SOPORTE FCB RGY49TH	25726830
8R OHM 15W LOUDSPEAKER 50X90 8R OHM 15W HAUT PARLEUR 50X90 8R OHM 15W LAUTSPRECHER 50X90 8R OHM 15W ALTOPARLANTE 50X90 8R OHM 15W ALTAVOZ 50X90	25651640
ON/OFF SWITCH SUPPORT SUPPORT CONTACTEUR MARCHE/ARRET HALTER EIN-AUS SCHALTER SUPPORTO CONTATTORE ACCESO/SPENTO SOPORTE CONTACTOR MARCHA/PARADA	25514910
ON/OFF BUTTON AL01TH TOUCHE MARCHE/ARRET AL01TH EIN-AUS TASTE AL01TH TASTO ACCESO/SPENTO AL01TH TECLA MARCHA/PARADA AL01TH	25750430
BUTTON 5T ASSY AL01TH ENSEMBLE DE TOUCHES 5T AL01TH TASTENEINHEIT 5T AL01TH ASSIEME TASTI 5T AL01TH CONJUNTO DE TECLAS 5T AL01TH	36022690
POWER SUPPLY LEAD CORDON D'ALIMENTATION NETZKABEL CAVO DI ALIMENTAZIONE CABLE DE ALIMENTACION	△ 10260880
CORD STOPPER ATTACHE CORDON SECTEUR ZUGENTLASTUNG BRIDA CORDONE DI ALIMENTAZIONE SUJECION CABLE DE ALIMENTACION	25307670
A51ELD032X004 CATHODE RAY TUBE A51ELD032X004 TUBE CATHODIQUE A51ELD032X004 FARBBILDROEHRE A51ELD032X004 TUBO CATODICO A51ELD032X004 T.R.C	△ 56032330
DEGAUSSING COIL 796MM R=Y BOBINE DEMAGNETISATION 796MM R=Y ENTMAGNETISIERUNGSSPULE 796MM R=Y BOBINA DI SMAGNETIZZAZIONE 796MM R=Y BOBINA DE DESMANTACION 796MM R=Y	△ 56120020
RC311TA1G REMOTE CONTROL RC311TA1G TELECOMMANDE RC311TA1G FERNBEDIENUNG RC311TA1G TELECOMANDO RC311TA1G TELEMANDO	21282880

FOLDING BOX EMBALLAGE CARTON KARTON IMBALLAGGIO CARTONE EMBALAJE CARTON	25737160		
FITTING UPPER CALE SUPERIEURE POLSTER OBEN DISTANZIATORE SUPERIORE CALZO SUPERIOR UPPER	25737130		
FITTING DOWNER CALE INFERIEURE POLSTER UNTEN DISTANZIATORE INFERIORE CALZO INFERIOR	25737140		
			
21DC320T PARTS LIST 21DC320T LISTE DE PIECES DETACHEES 21DC320T ERSATZTEILLISTE 21DC320T LISTA PARTI DI RICAMBIO 21DC320T LISTA DE PIEZAS DE REPUESTO	36117010		
ETC009/ETC010 UM ETC009/ETC010 NU ETC009/ETC010 BA ETC009/ETC010 IU ETC009/ETC010 IU	50094090		

21DC320T

6/6

The description and characteristics given here are of informative significance only, and non committal. To keep up the high quality of our products, we reserve the right to make any changes or improvement without previous notice. • Les descriptions et caractéristiques figurant sur ce document sont données à titre d'information et non d'engagement. En effet, soucieux de la qualité de nos produits, nous nous réservons le droit d'effectuer, sans préavis, toute modification ou amélioration. • Die Beschreibungen und Daten in dieser Anleitung dienen nur zur Information und sind nicht bindend. Um die Qualität unserer Produkte ständig zu verbessern, behalten wir uns das Recht auf Änderungen vor. • Le descrizioni e le caratteristiche date su questo documento sono fornite a semplice titolo informativo e senza impegno. Ci riserviamo il diritto di eseguire, senza preavviso, qualsiasi modifica o miglioramento. • Las descripciones y características que figuran en este documento se dan a título de información y no de compromiso. En efecto, en bien de la calidad de nuestros productos, nos reservamos el derecho de efectuar, sin previo aviso, cualquier modificación o mejora.

PARTS LIST
LISTE PIECES DETACHEES
ERSATZTEILLISTE
LISTA PARTI DI RICAMBIO
LISTA DE PIEZAS DE REPUESTO

SABA
F21182T
Chassis ETC009

MODULES

MAIN	ETC009 T8-D5791J-MAN	56264650
CRT	CRT T8-D5791J-CRY	56264640
FCB	FCB T8-D5571J-S11	56062270
KB	KB T8-D5571J-KE1	56062120



IC001	M24C16-WBN6 R=Y	36103960
IC300	STV9302B R=Y	36160380
IC601	TDA7266SA R=Y	56062610
IC801	TDA16846-2 R=Y	56062590
IC860	TEA1520P R=Y	36137930
IR081	HRM533AA5100 (RIR) R=Y	36138120



Q001,805	2SD2012 3A 60V R=Y	56089530
Q002,850	2SC1815Y R=Y	56062400
Q102,201,202,281,900,902,903	BC847C SMD R=Y	56046360
Q200,203	BC327-40 R=Y	36133640
Q204,205	BC857A SMD R=Y	56046380
Q206,207,208,280,601,602,901	BC857C SMD R=Y	36160340
Q401	BC639 R=Y	56062280
Q402	2SC5885 R=Y	56062410
Q511,521,531	3DA4544 300V R=Y	56124540
Q512,522,532	BF422 R=Y	36160350
Q513,523,533	BF423 R=Y	36160360
Q801	2SK2996 R=Y	35853760



D002,204,404,832	BZX79C5V6 0,50W R=Y	36137540
D003,306	BZX79C3V9 0,50W R=Y	56036950
D005,006,100,270,271,272,281,300,305,307,308,600,807,810,850	1N4148 R=Y	36028130
D081A	FB205 LED R=Y	56042240
D102	BZX79C33V 0,50W R=Y	35923130

D104,105,106	BA982-GS08 SMD R=Y	50130690
D280	BZX79C24V 0,50W R=Y	56039590
D304	BZX79C24V 0,50W R=Y	16518640
D309,413,834	1N4001 50V/1A R=Y	36038140
D400,401,402,403,806	FR104 R=Y	20569370
D405,833	1N4004GP R=Y	36132770
D500	BAV21 R=Y	36030550
D511,521,531	LL4148 SMD R=Y	36103600
D801,802,803,804	RL255 R=Y	60145840
D805,860	1H8 R=Y	60129950
D824	RU3C R=Y	56339950
D830	RU3YX R=Y	56339970
D831	RU4YX R=Y	56339990
D861,862,863,864	1N4007 R=Y	55961730
D865	FR102 1A 100V R=Y	56039650
D868	UF4004 400V R=Y	56043050
D900,901,902,903,907	BZX79C6V2 1/2W 5% R=Y	56036970
D904	BZV55C5V6 SMD R=Y	56259900



Z101	D9453D 33M9HZ FOS R=Y	36138050
Z102	37M4HZ K3953-D100 R=Y FOS	35849850
Z200	24M576HZ R=Y	56046290



L001,002,003,004,101,200,203,204,205,207,208,209,210	10UH 10% R=Y	60141070
L202,211	10UH 10% R=Y	60134230
L412	96UH 10% R=Y	56288380
L801	0,6UH 10% R=Y	56047260
L802,803,861	100UH R=Y	35854430



VR801	5K0 OHM R=Y	36160400
--------------	-------------	----------



R313	1R0 OHM 1W R=Y	35854050
R321	1R5 5% OHM 2W R=Y	56402460
R403,405,409,418	0R22 OHM 5% 0,50W R=Y Δ	56062000
R411	1K2 OHM 5% 2W R=Y	56062040
R420	1R0 OHM 5% 2W R=Y Δ	35005850
R500	1K5 OHM 20% 0,50W R=Y	36133060
R515,525,535	15K0 OHM 5% 3W R=Y	56308460
R611	0R22 OHM R% 2W R=Y	35854070
R801	4R7 OHM NTC R=Y Δ	35849450
R802,807	1M0 OHM 5% 0,50W R=Y Δ	56042190
R805,813	4M7 OHM 5% 0,50W R=Y Δ	35923310
R809	56K0 OHM 5% 2W R=Y	56297860
R824	22K0 OHM 5% 3W R=Y	35923290
R825	6R8 OHM 5% 2W R=Y	56402490
R834,836	0R22 OHM 5% 2W R=Y Δ	35923280
R837	8M2 OHM 5% 1W R=Y Δ	56044040
RT801	20R0 20% OHM PTC R=Y Δ	35883440
RT860	5R0 OHM NTC R=Y Δ	35923480
VR800	14D471K VDR R=Y	56289960



C206	150N0F 5% 100V R=Y	20467160
C401,404	1N0F 10% 500V R=Y	56044330
C403,409,412	390PF 10% 500V R=Y	56044350
C405	100N0F 5% 100V R=Y	36137490
C411	100U0F 20% 160V R=Y	56120370
C414	3N3F 10% 500V R=Y	56044340
C416	12N0F 5% 1K6V R=Y Δ	56045890
C420	10U0F 20% 160V R=Y	56043630
C421	300N0F 5% 250V R=Y Δ	56287060
C500	1N0F 10% 2K0V R=Y	56045620
C601,605	220N0F 20% 100V R=Y	56361160
C801,802	220N0F 20% 275V R=Y Δ	36031430
C803	100N0F 10% 400V R=Y	56045920
C804,805	4N7F 10% 200V R=Y Δ	56044940
C806	150U0F 20% 400V R=Y	36121700
C808,826,860	10N0F 10% 500V R=Y	56044360
C818	10N0F 20% 2KV R=Y	56046080
C819	560P0F 10% 2KV R=Y	56308770
C821	220P0F 5% 2KV R=Y Δ	56044700
C830	330P0F 5% 2KV R=Y	56368750
C833,834	470P0F 10% 400V R=Y Δ	56327930

VERSION 1 09 / 2006 36160330
VERSION 2 00 / 0000

Lead Free
 Sans Plomb
R=Y
 ohne blei
 senza cavo
 sin plomo

For any requests, please contact THOMSON after sales europe area
 Pour toutes précisions, contactez votre service apres vente local THOMSON service europe
 Für weitere Auskünfte, wenden Sie sich bitte an die THOMSON sales europe Kundendienst
 Per precisazioni, contattare l'assistenza tecnica THOMSON sales europe
 Para cualquier pregunta, por favor contactar con el responsable de zona del servicio postventa de THOMSON sales europe

C837	1NOF 20% 250V R=Y	△ 56164540
C839	100POF 20% 2KOV R=Y	56045700
C840,843	220POF 10% 500V R=Y	56045600
C861	4U7F 20% 400V R=Y	56043640
C890	100POF 10% 1KOV R=Y	56045640
C891,892	1N5F 10% 2KV R=Y	△ 56373530
C894	1NOF 20% 400V R=Y	△ 56046110



L411	50UH R=Y	56039100
T401	DRIVER R=Y	56340580
T402	FBT BSC25-0252T R=Y	△ 56341880
T801	36MOH R=Y	△ 35923380
T802	TFSMT R=Y	△ 56340160
T860	BCK-1917A FOCUS R=Y	△ 56042150

OTHER PARTS AUTRES PIECES SONSTIGE TEILE ALTRE PARTI OTRAS PIEZAS

F801	2AT 250V TIME-LAG FUSE R=Y △ 5501562A 2AT 250V FUSIBLE TEMPORISE R=Y 2AT 250V SICHERUNG R=Y 2AT 250V FUSIBILE TEMPORIZATO R=Y 2AT 250V FUSIBILE TEMPORIZADO R=Y	
K850	SMIT-SH-105PM RELAY R=Y △ 35923400 SMIT-SH-105PM RELAIS R=Y SMIT-SH-105PM RELAIS R=Y SMIT-SH-105PM RELE R=Y SMIT-SH-105PM RELE R=Y	
P500	CATHODE RAY TUBE SOCKET △ 35923070 R=Y SUPPORT TUBE CATHODIQUE R=Y BILDROEHRENFASSUNG R=Y SUPPORTO TUBO CATODICO R=Y SOPORTE T.R.C R=Y	
P901	SCART SOCKET R=Y 36160390 PRISE PERITEL R=Y EURO-AV-BUCHSE R=Y EUROPRESA NORMALIZZATA R=Y EUROCONNECTOR R=Y	
P960	CINCH SOCKET WH-RD-YE R=Y 56120450 PRISE CINCH WH-RD-YE R=Y CINCH-BUCHSE WH-RD-YE R=Y PRESA CINCH WH-RD-YE R=Y TOMA CINCH WH-RD-YE R=Y	
P964	JACK SOCKET R=Y △ 21428320 PRISE JACK R=Y JACK-BUCHSE R=Y PRESA JACK R=Y TOMA JACK R=Y	
S081,082,083, 084,085,086	MICROSWITCH R=Y 35923100 MICRO CONTACTEUR R=Y MIKROSCHALTER R=Y MICROINTERRUPTORE R=Y MICROCONTACTOR R=Y	
TU100	TEDE9-284B R=Y TUNER 56062250 TEDE9-284B R=Y TETE TEDE9-284B R=Y TUNER TEDE9-284B R=Y TUNER TEDE9-284B R=Y SINTONIZADOR	

EQUIPMENT/PRESENTATION EQUIPEMENT/PRESENTATION AUSSTATTUNG/GEHAEUSE PARTI VARIE EQUIPO/PRESENTACION

FRONT PANEL SI16TH 36021940 FACADE SI16TH FRONTPLATTE SI16TH PANNELLO FRONTALE SI16TH PANEL FRONTAL SI16TH	
SPACER WASHER TUBE 25789380 RONDELLE D'ENTRETOISE TUBE SCHEIBE QUERSTREBE TUBE WASTER DEL DISTANZIATORE DEL TUBO WASTER DEL ESPACIADOR DEL TUBO	
REAR PANEL RGY49TH △ 25808280 DOS RGY49TH RUECKWAND RGY49TH PANNELLO POSTERIORE RGY49TH TAPA POSTERIOR RGY49TH	
CHASSIS SUPPORT 25791220 SUPPORT CHASSIS CHASSIS HALTER SUPPORTO CHASSIS SOPORTE CHASSIS	
FAV SUPPORT RGY49TH 25830780 SUPPORT FAV RGY49TH FAV HALTER RGY49TH SUPPORTO FAV RGY49TH SOPORTE FAV RGY49TH	
8RO OHM 5W LOUSPEAKER 30X70MM 25783490 8RO OHM 5W HAUT PARLEUR 30X70MM 8RO OHM 5W LAUTSPRECHER 30X70MM 8RO OHM 5W ALTOPARLANTE 30X70MM 8RO OHM 5W ALTAVOZ 30X70MM	
INFRARED WINDOW 25808150 GLACE INFRAROUGE INFRAROTFENSTER VETRO INFRAROSSO CRISTAL INFRARROJO	
BUTTON ASSY 6T SI16TH 35998060 ENSEMBLE DE TOUCHES 6T SI16TH TASTENEINHEIT 6T SI16TH ASSIEME TASTI 6T SI16TH CONJUNTO DE TECLAS 6T SI16TH	
POWER SUPPLY LEAD 2700MM △ 50076360 CORDON D'ALIMENTATION 2700MM NETZKABEL 2700MM CAVO DI ALIMENTAZIONE 2700MM CABLE DE ALIMENTACION 2700MM	
CORD STOPPER R=Y 25307670 ATTACHE CORDON SECTEUR R=Y ZUGENTLASTUNG R=Y BRIDA CORDONE DI ALIMENTAZIONE R=Y SUJECION CABLE DE ALIMENTACION R=Y	
A51ELD032X004 CATHODE RAY TUBE △ 56032330 A51ELD032X004 TUBE CATHODIQUE A51ELD032X004 FARBBILDROEHRE A51ELD032X004 TUBO CATODICO A51ELD032X004 T.R.C	
DEGAUSSING COIL 796MM R=Y △ 56120020 BOBINE DEMAGNETISATION 796MM R=Y ENTMAGNETISIERUNGSSPULE 796MM R=Y BOBINA DI SMAGNETIZZAZIONE 796MM R=Y BOBINA DE DESMANTACION 796MM R=Y	

RCTMB105 REMOTE CONTROL 56092250 RCTMB105 TELECOMMANDE RCTMB105 FERNBEDIENUNG RCTMB105 TELECOMANDO RCTMB105 TELEMANDO	
FOLDING BOX 25830840 EMBALLAGE CARTON KARTON IMBALLAGGIO CARTONE EMBALAJE CARTON	
CARTON MIDDLE 25808300 CARTON INTERMEDIAIRE KARTON MITTELTEIL CARTONE MEZZO CARTON MEDIO	
FITTING SET 25808290 ENSEMBLE DE CALES POLSTER KIT ASSIEME DISTANZIATORE CONJUNTO CALZO	



F21182T PARTS LIST 36160330 F21182T LISTE DE PIECES DETACHEES F21182T ERSATZTEILLISTE F21182T LISTA PARTI DI RICAMBIO F21182T LISTE DE PIEZAS DE REPUESTO	
ETC009-ETC010 SERVICE MANUAL 36103560 ETC009-ETC010 DOC TECHNIQUE ETC009-ETC010 TECHNISCHE DOKUMENTATION ETC009-ETC010 DOCUMENTAZIONE TECNICA ETC009-ETC010 DOCUMENTACION TECNICA	
UOC3-EN-2A SOFT SWITCH USER MANUAL 50131300 UOC3-EN-2A SOFT NOTICE D'UTILISATION UOC3-EN-2A SOFT BEDIENUNGSANLEITUNG UOC3-EN-2A SOFT ISTRUZIONI PER L'USO UOC3-EN-2A SOFT INSTRUCCIONES DE USO	

F21182T

2/2

The description and characteristics given here are of informative significance only, and non committal. To keep up the high quality of our products, we reserve the right to make any changes or improvement without previous notice. • Les descriptions et caractéristiques figurant sur ce document sont données à titre d'information et non d'engagement. En effet, soucieux de la qualité de nos produits, nous nous réservons le droit d'effectuer, sans préavis, toute modification ou amélioration. • Die Beschreibungen und Daten in dieser Anleitung dienen nur zur Information und sind nicht bindend. Um die Qualität unserer Produkte ständig zu verbessern, behalten wir uns das Recht auf Änderungen vor. • Le descrizioni e le caratteristiche date su questo documento sono fornite a semplice titolo informativo e senza impegno. Ci riserviamo il diritto di eseguire, senza preavviso, qualsiasi modifica o miglioramento. • Las descripciones y características que figuran en este documento se dan a título de información y no de compromiso. En efecto, en bien de la calidad de nuestros productos, nos reservamos el derecho de efectuar, sin previo aviso, cualquier modificación o mejora.