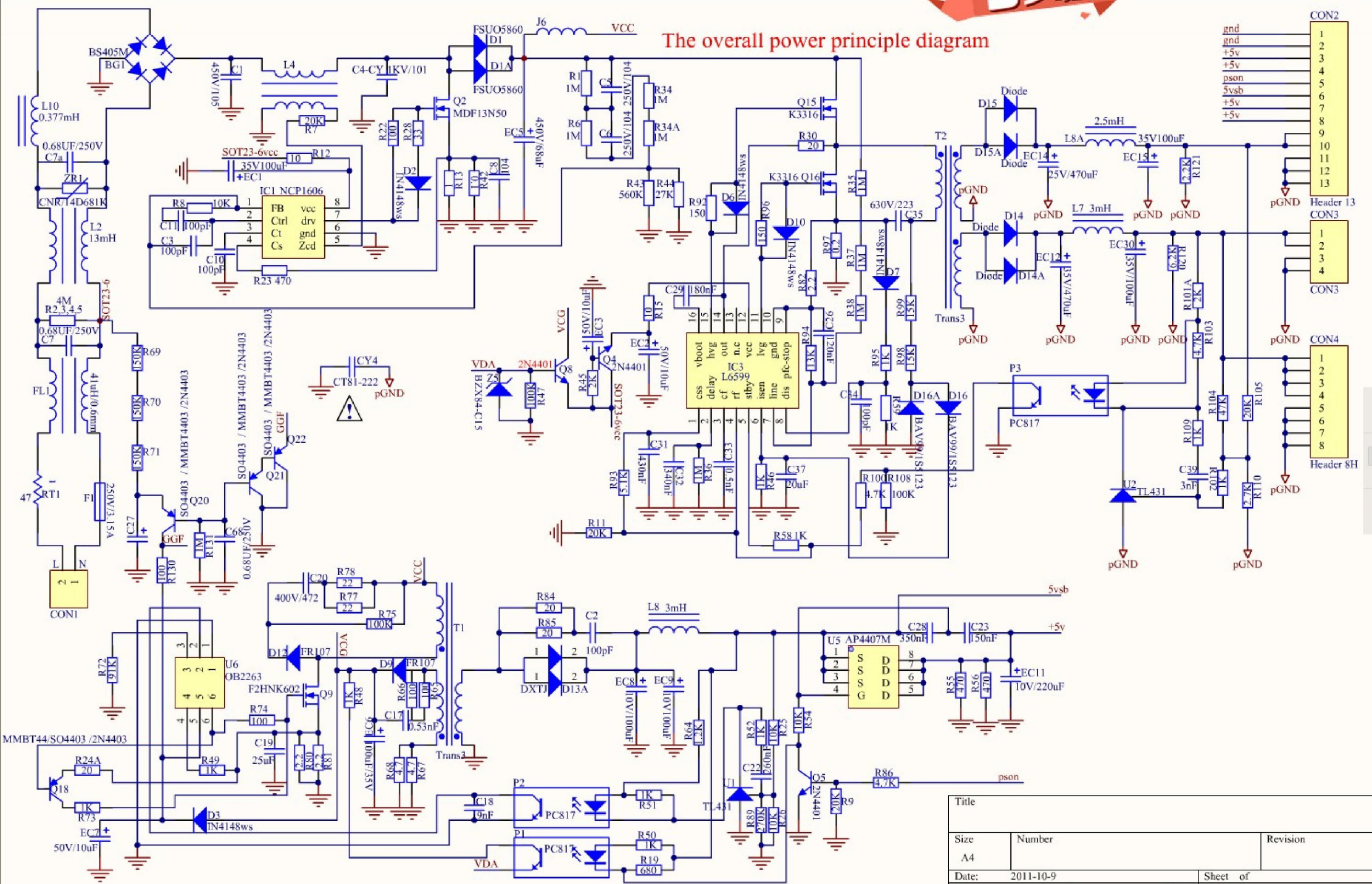


# The overall power principle diagram



- CON2
  - 1 gnd
  - 2 gnd
  - 3 +5v
  - 4 +5v
  - 5 pson
  - 6 5vsb
  - 7 +5v
  - 8 +5v
  - 9
  - 10
  - 11
  - 12
  - 13
- Header 13
  - 1 pGND
  - 2
  - 3
  - 4
- CON3
  - 1
  - 2
  - 3
  - 4
- Header 8H
  - 1
  - 2
  - 3
  - 4
  - 5
  - 6
  - 7
  - 8

Title		
Size	Number	Revision
A4		
Date:	2011-10-9	Sheet of