

# Service Manual

Colour Television

## TC-25V50R

### MX-2A Chassis



**Specifications/Технические характеристики**

**MX-2A Chassis Block Diagram/Блок-схема шасси MX-2A**

**The I<sup>2</sup>C Bus Concept/Концепция шины I<sup>2</sup>C**

**Location of Controls and Circuit Boards/Расположение органов управления и печатных плат**

**Service Hint/Приемы сервисного обслуживания**

**Adjustment procedure/Процедура настройки**

**Schematic Diagrams/Принципиальные схемы**

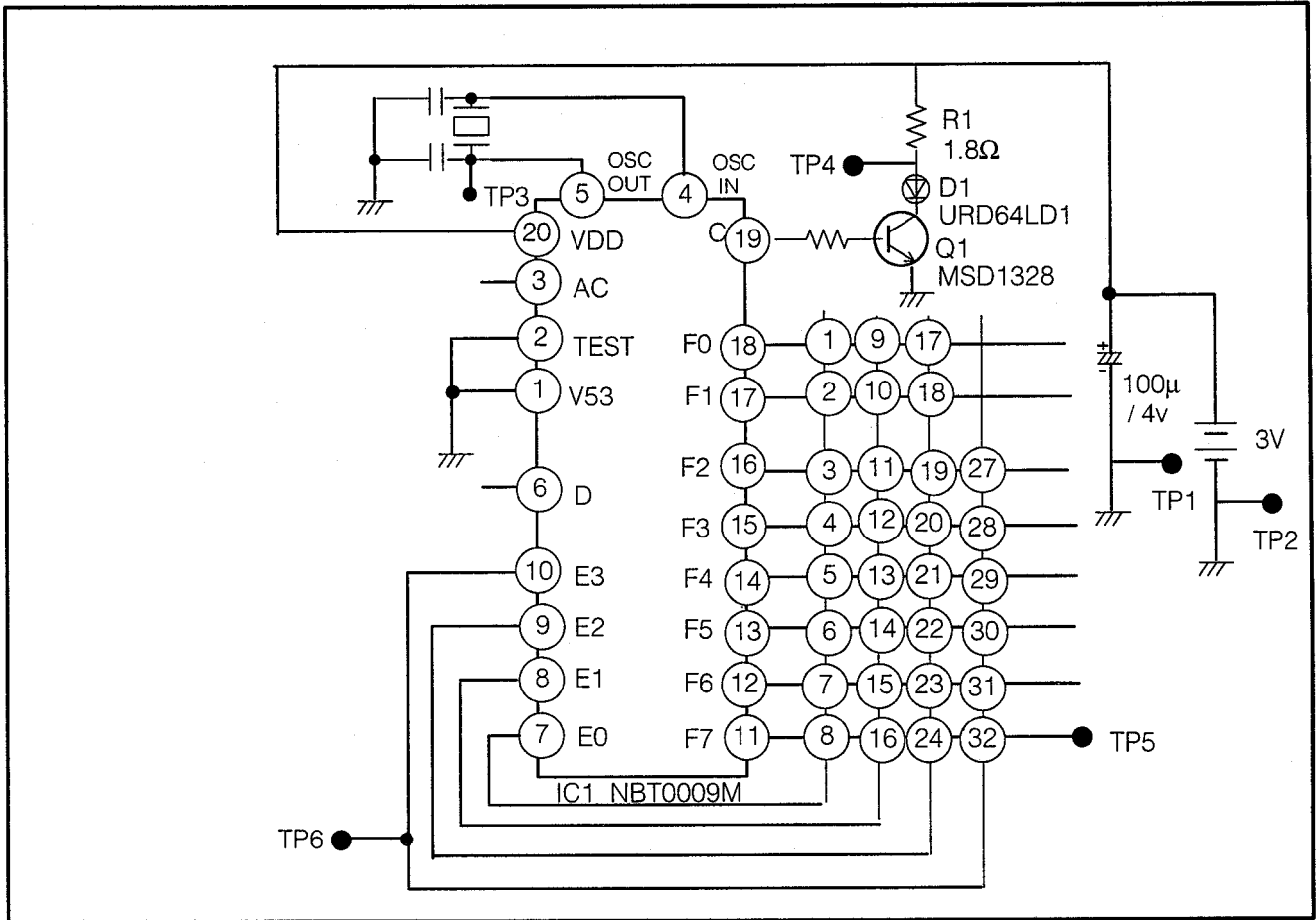
**Parts Location & Mechanical Replacement Parts List/Расположение деталей и перечень механических запасных частей**

**Replacement Parts List/Перечень запасных частей**

# Panasonic

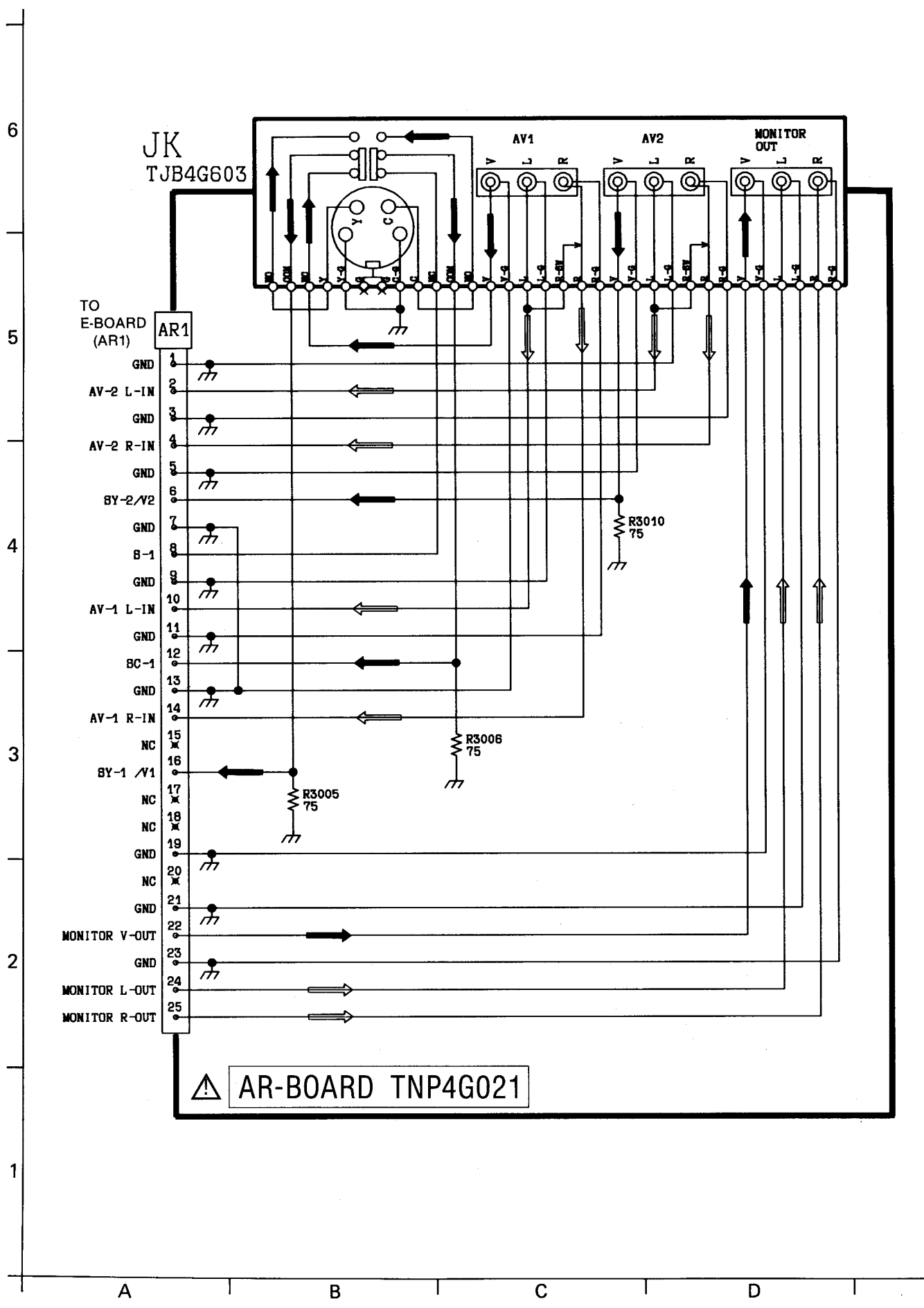
©1995 Matsushita Electric Industrial Co., Ltd.  
All right reserved. Unauthorized copying and  
distribution is a violation of law.

## Remote Controller EUR501325

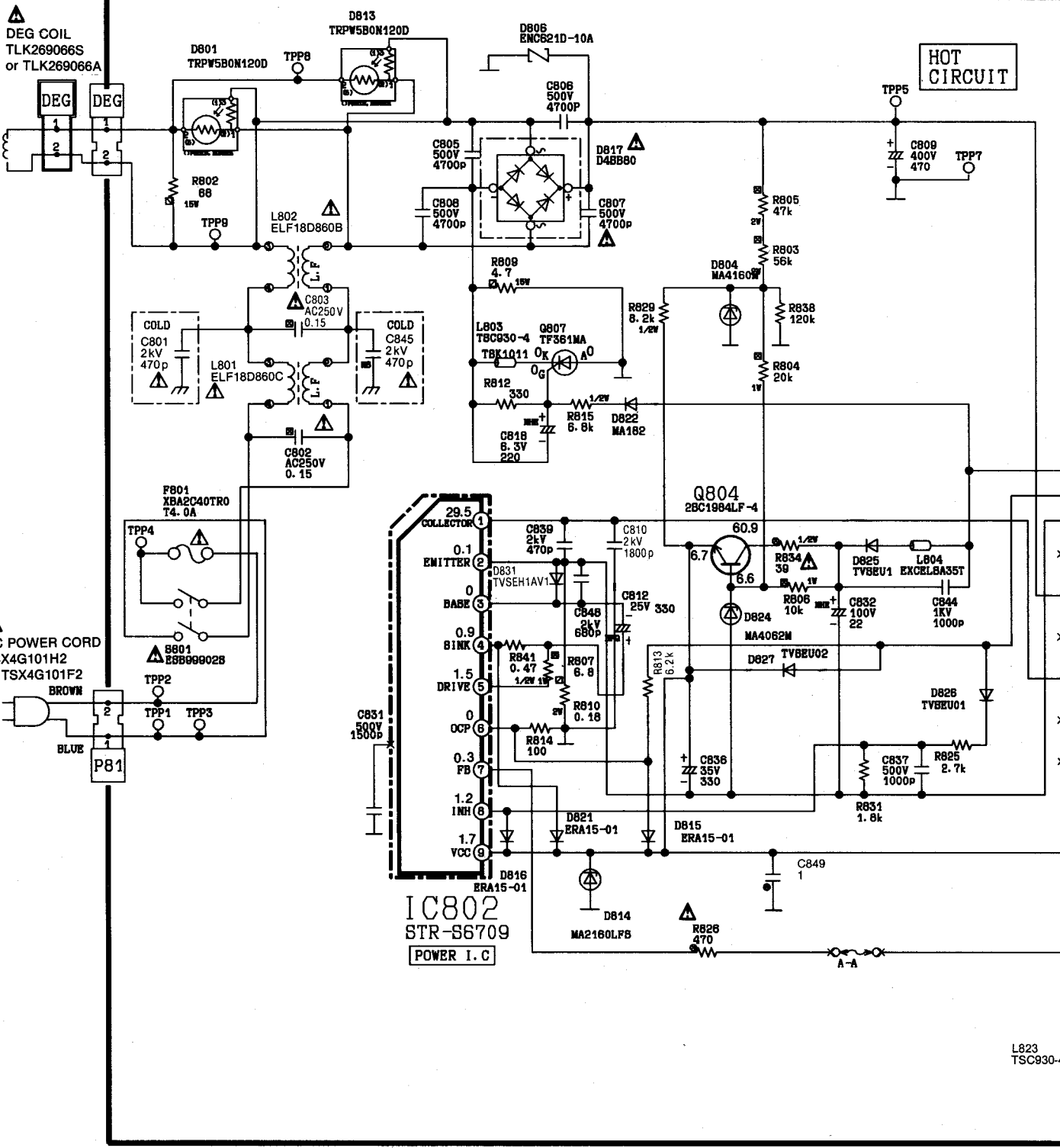


### Key Function Table

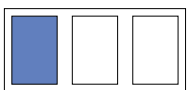
Key No.	Data Code	Function	Key No.	Data Code	Function	Key No.	Data Code	Function
1	05	TV / AV	2	06	PICTURE	3	—	—
4	07	SOUND MUTE	5	0C	NORMAL	6	0F	OFF TIMER
7	10	CH 1	8	11	CH 2	9	12	CH 3
10	13	CH 4	11	14	CH 5	12	15	CH 6
13	16	CH 7	14	17	CH 8	15	18	CH 9
16	19	CH 10 / 0	17	—	—	18	—	—
19	—	—	20	—	—	21	—	—
22	20	VOL UP	23	21	VOL DN	24	31	SURROUND
25	—	—	26	—	—	27	34	CH UP
28	35	CH DN	29	39	RECALL	30	—	—
31	3B	2 DIGIT	32	3D	TV POWER			



6  
5  
4  
3  
2  
1



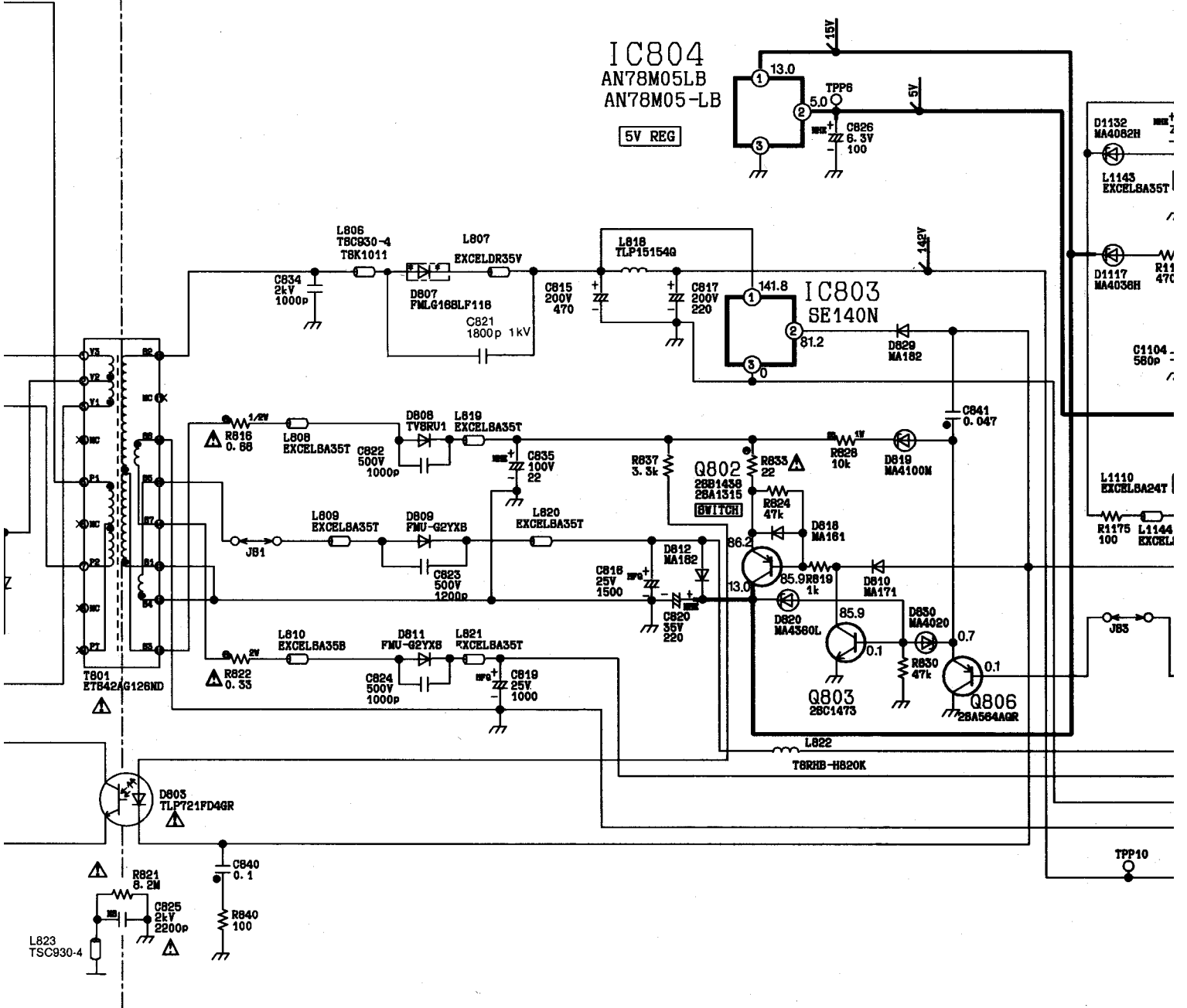
A B C D E



IT

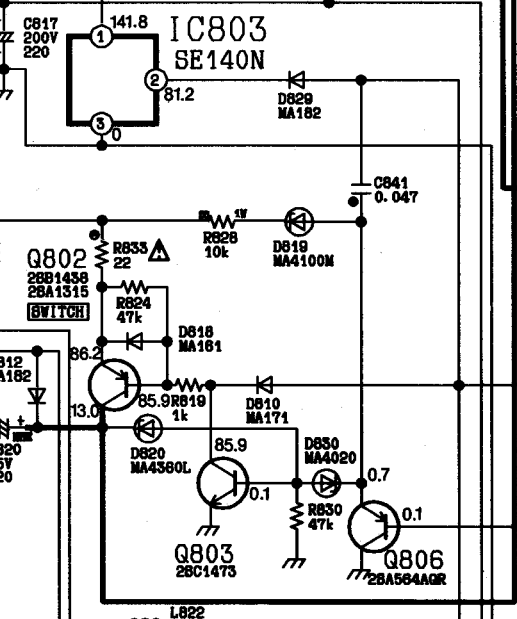
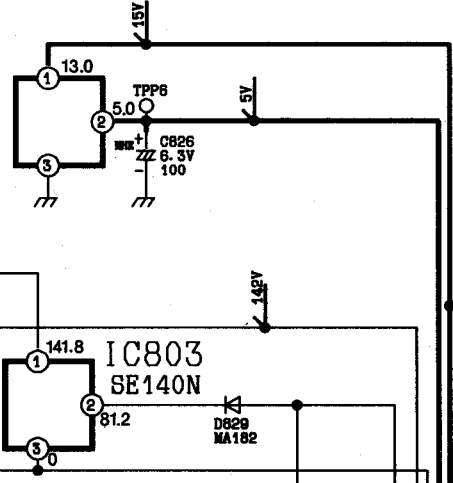
COLD  
CIRCUIT

⚠ P-BOARD TNP4G029AH  
(Except New Zea



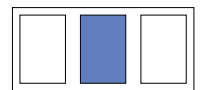
L823  
TSC930-4

IC804  
AN78M05LB  
AN78M05-LB  
5V REG

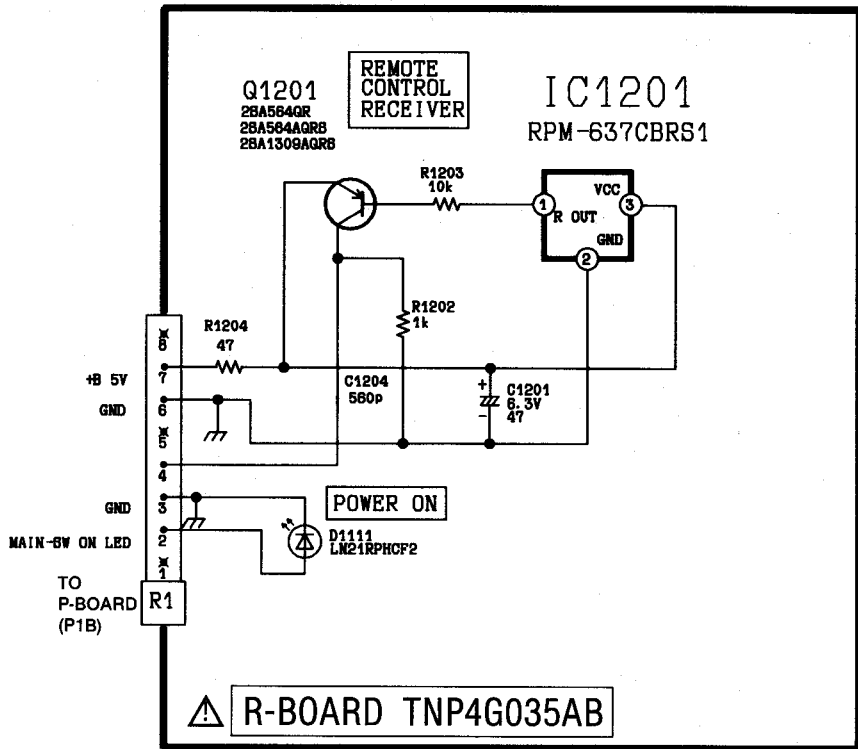
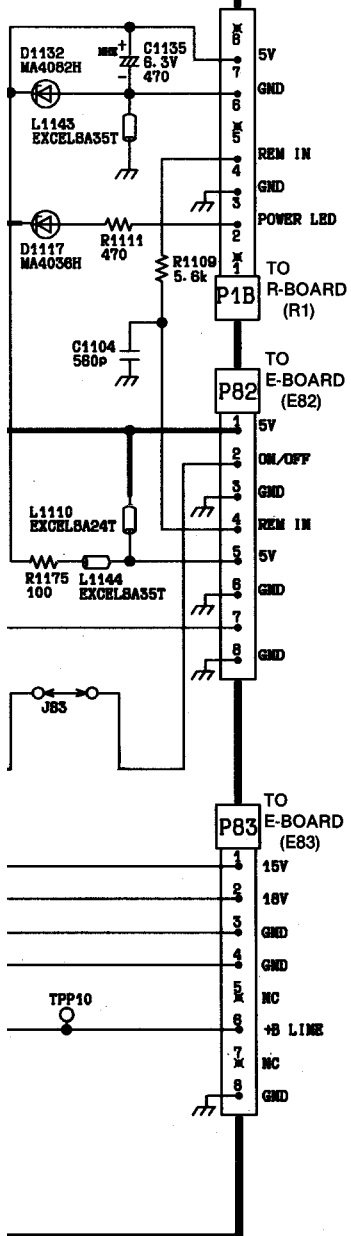


- D1132 MA40B2H
- L1145 EXCELBA35T
- D1117 MA4036H
- R11 47C
- G1104 580p
- L1110 EXCELBA24T
- R1175 100
- L1144 EKCR
- J85
- TPP10

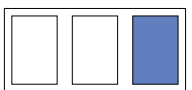
F | G | H | I | J



9AH  
New Zealand)



J | K | L | M | N

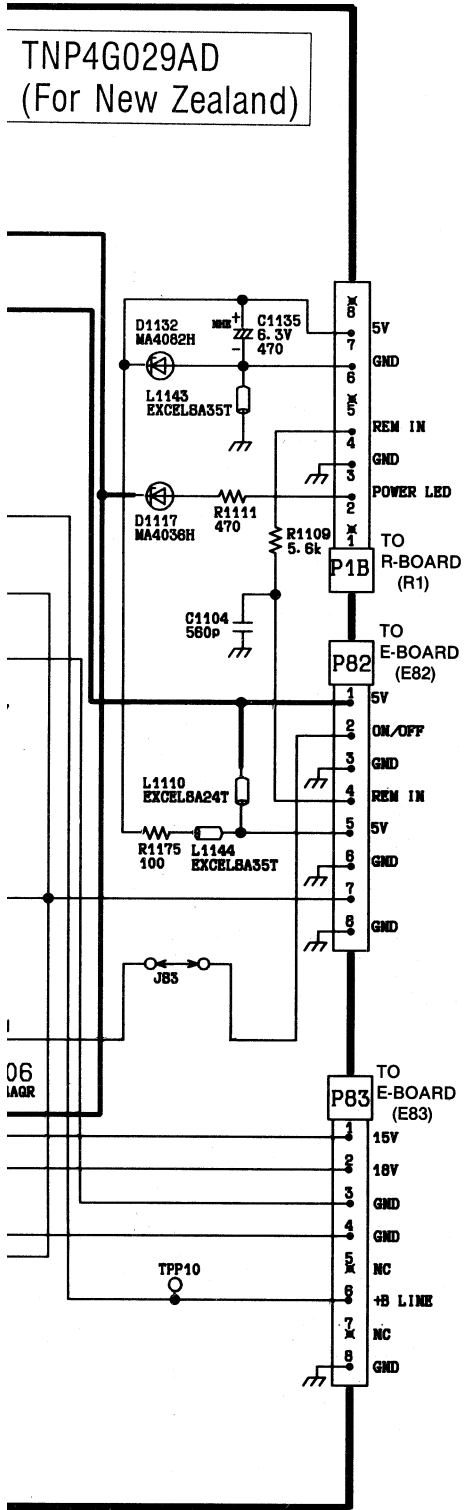




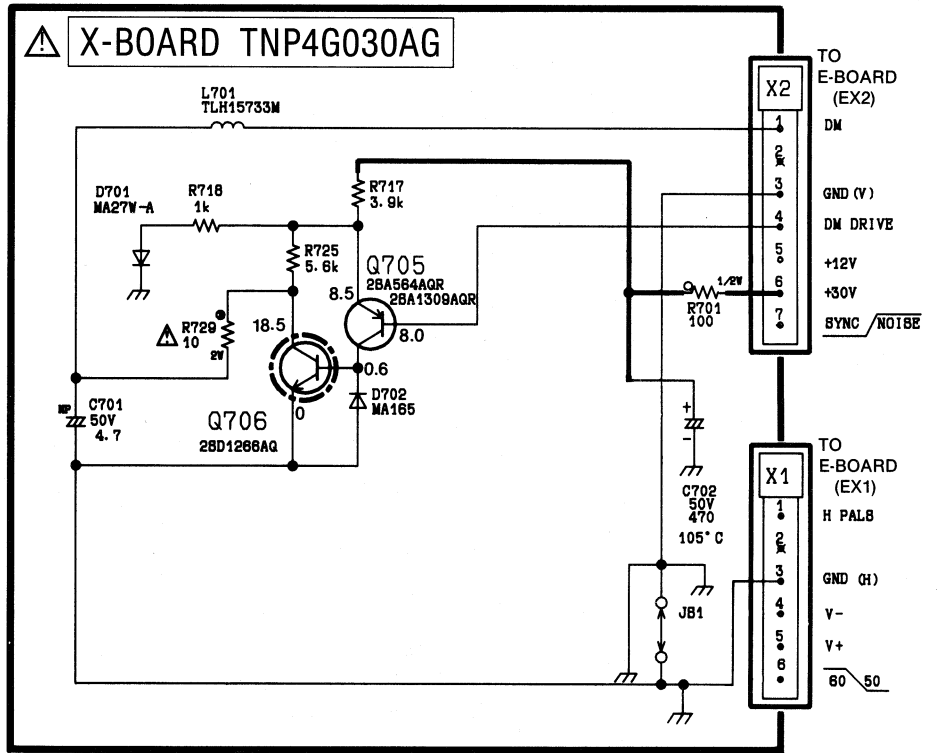




TNP4G029AD  
(For New Zealand)



X-BOARD TNP4G030AG



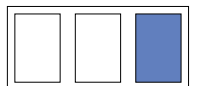
J

K

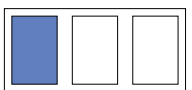
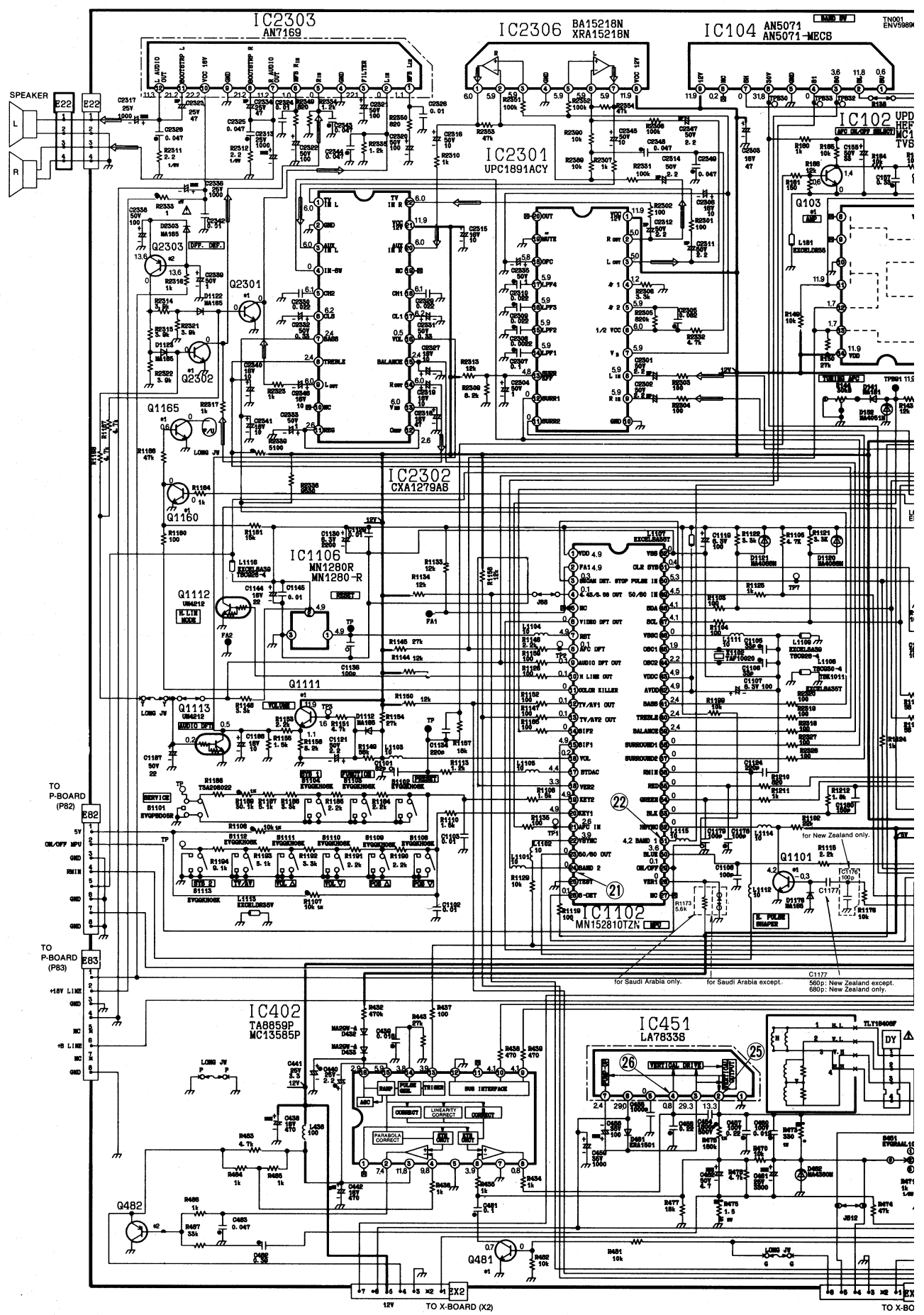
L

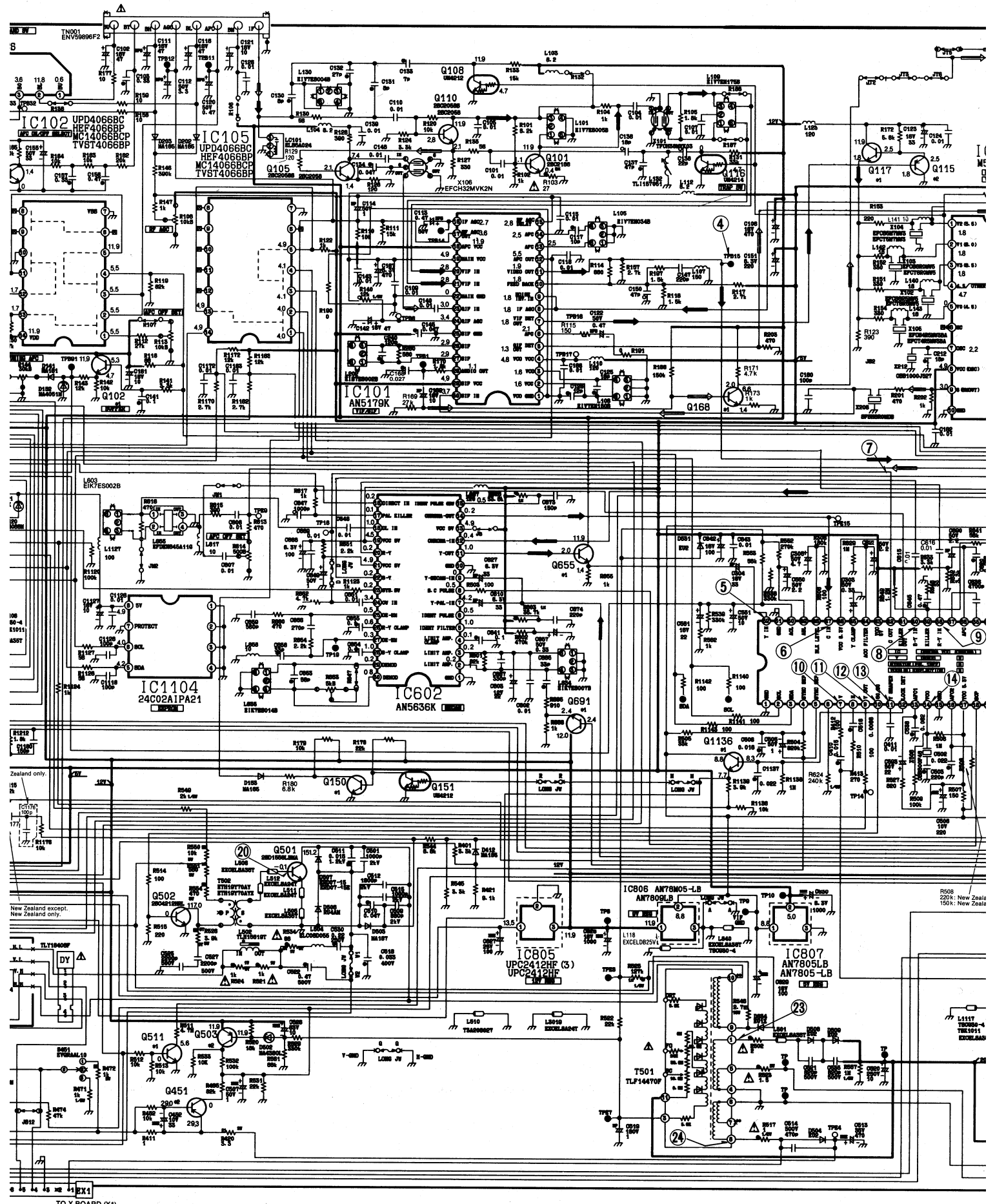
M

N



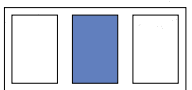
6  
5  
4  
3  
2  
1





TO X-BOARD (X1)

E | F | G | H | I | J

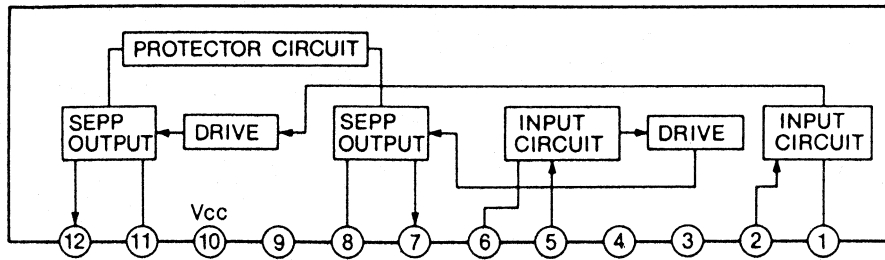




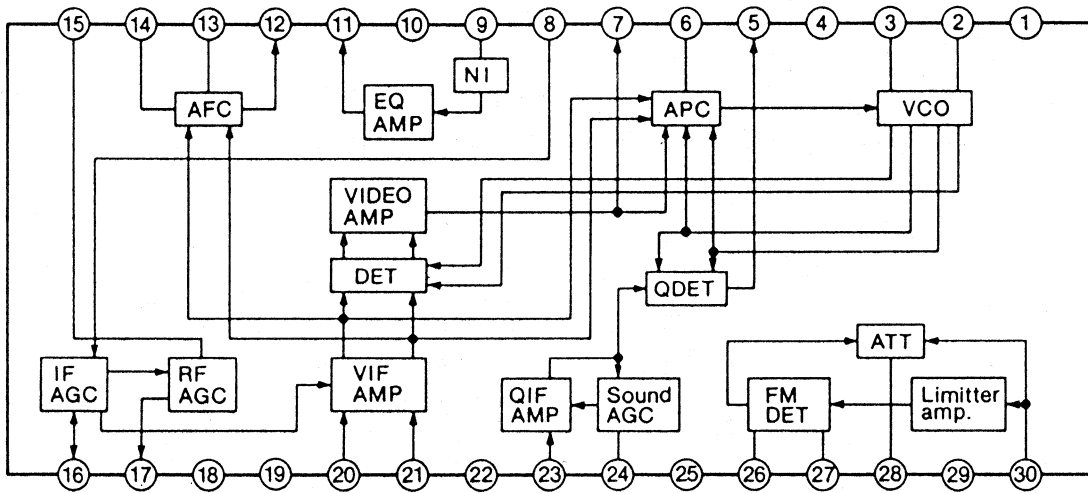


# Block Diagram for Integrated Circuits

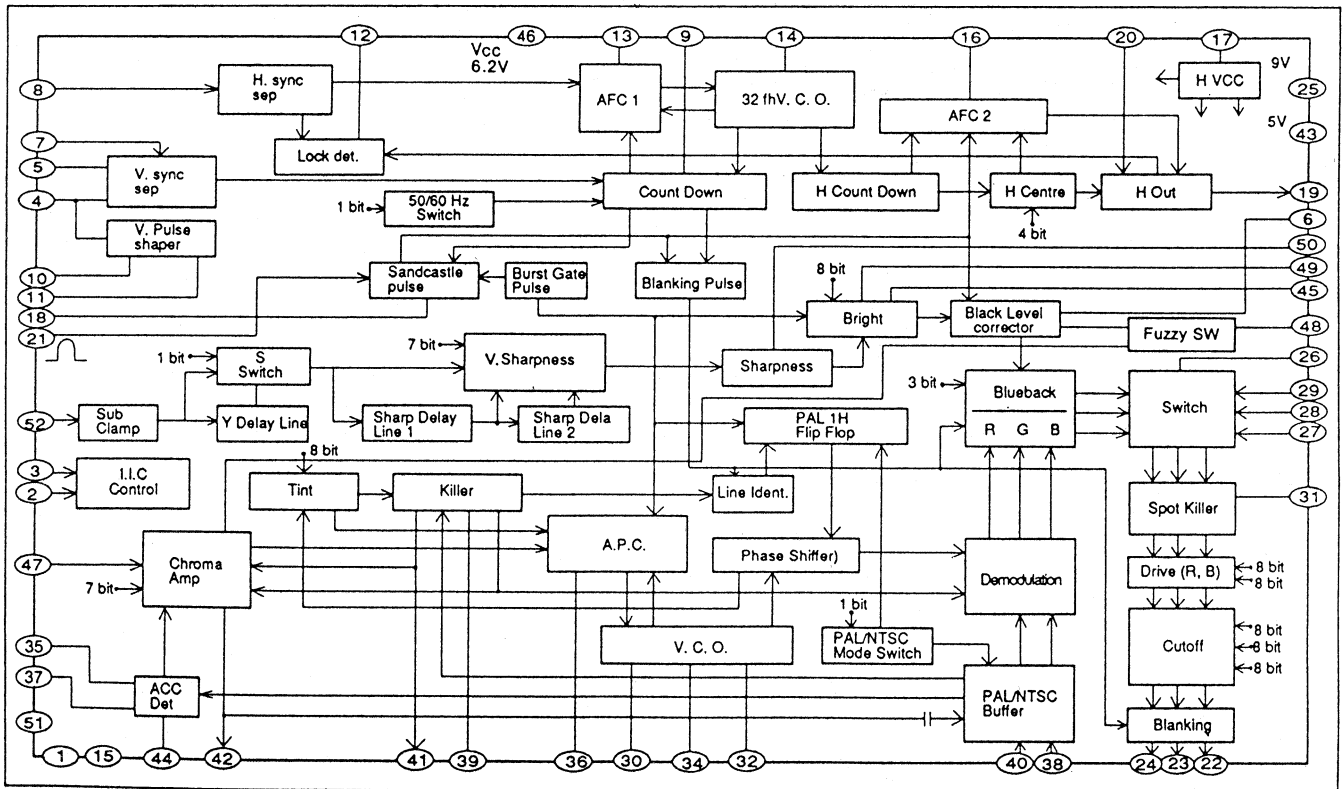
## IC2303 (AN7169)



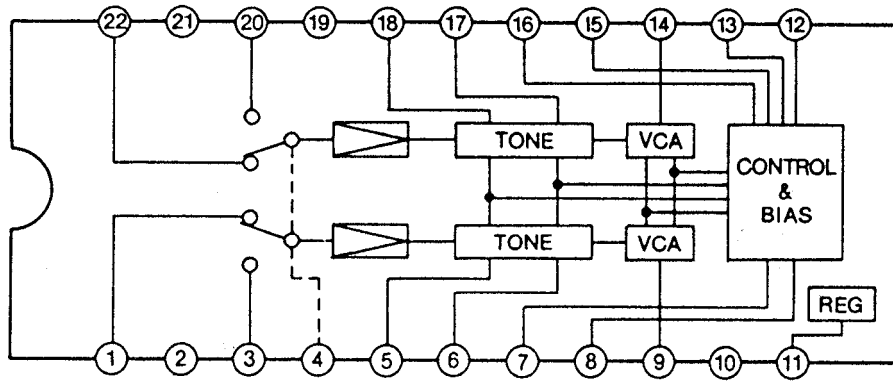
## IC101 (AN5179NK)



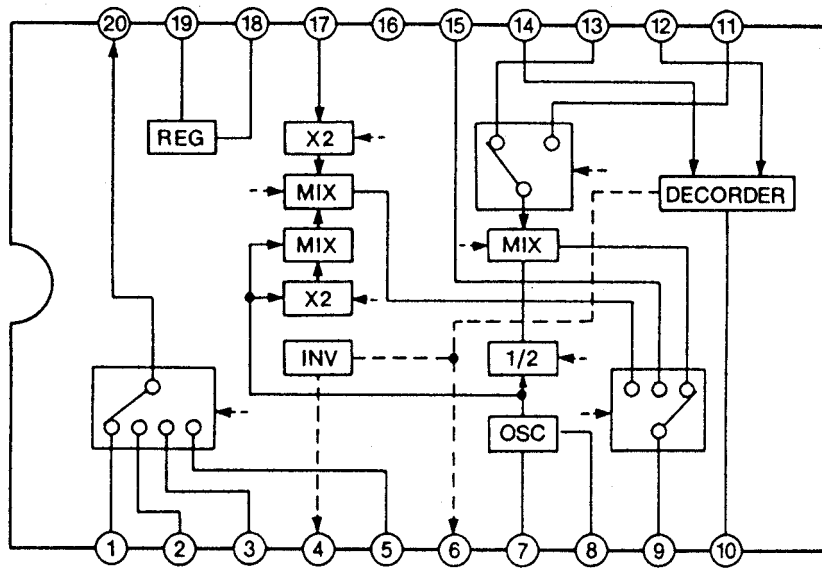
## IC601 (AN5607NK)



IC2302 (CXA1279AS)

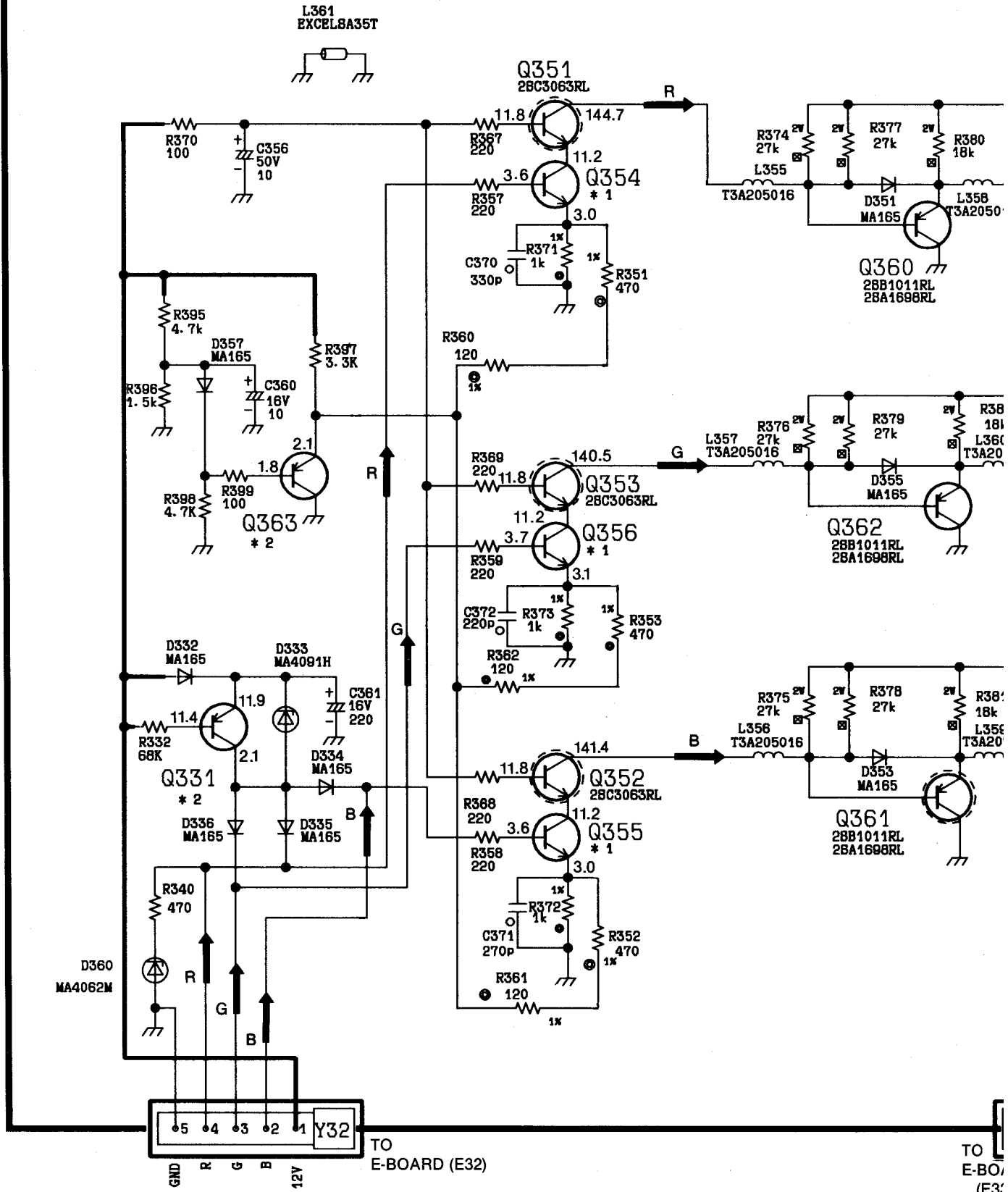


IC201 (M52317SP)

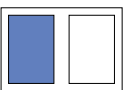


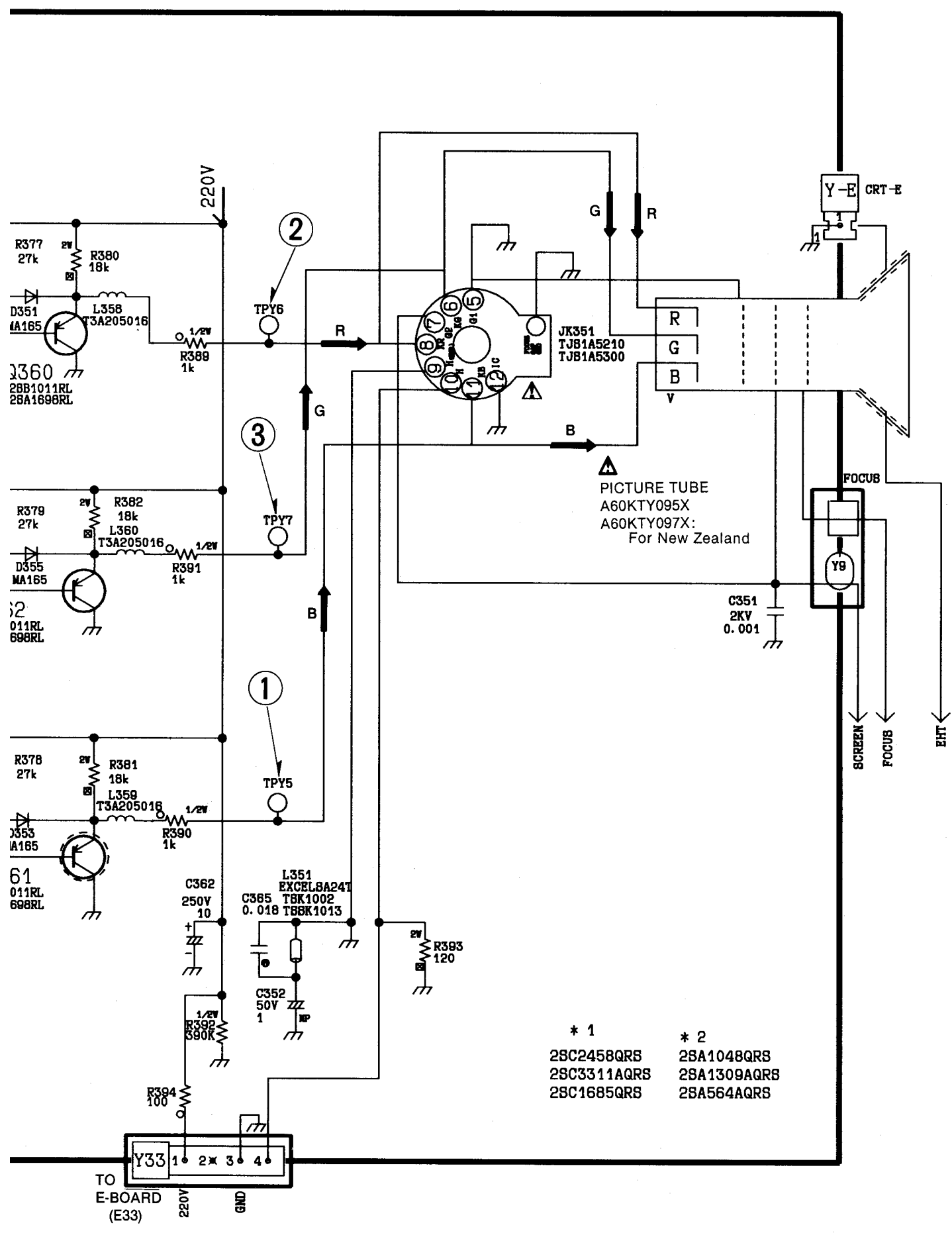
# Y-BOARD TNP4G034AD

6  
5  
4  
3  
2  
1



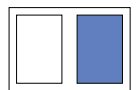
A B C D E





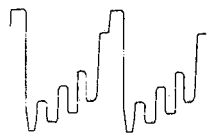

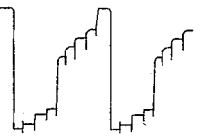
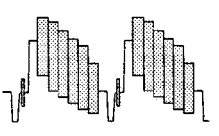

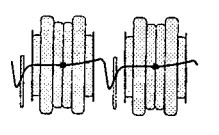
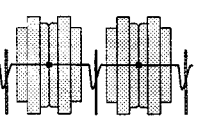
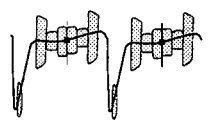
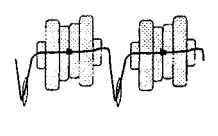

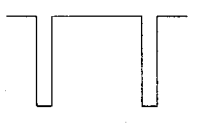
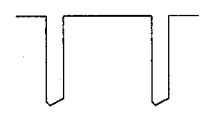
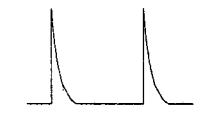
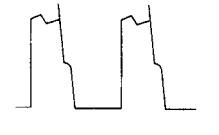
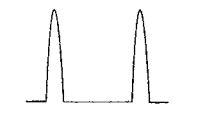

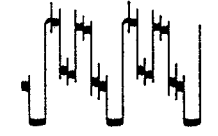

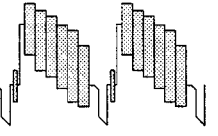



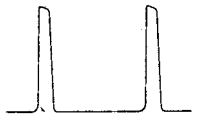
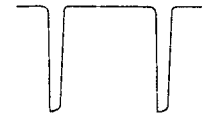
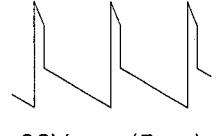
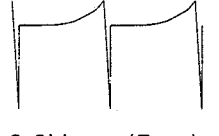
- \* 1
- 25C2458QRS
- 25C3311AQRS
- 25C1685QRS
- \* 2
- 25A1048QRS
- 25A1309AQRS
- 25A564AQRS

E | F | G | H | I | J





# WAVEFORM PATTERN TABLE

① TPY5  180Vp-p (20µs)	② TPY6  180Vp-p (20µs)	③ TPY7  180Vp-p (20µs)	④ TPB15  1.6Vp-p (20µs)
⑤ IC601-52  0.6Vp-p (20µs)	⑥ IC601-47  0.35Vp-p (20µs)	⑦ IC601-42  0.7Vp-p (20µs)	⑧ IC601-40  0.18Vp-p (20µs)
⑨ IC601-38  0.21Vp-p (20µs)	⑩ IC601-7  2.3Vp-p (20µs)	⑪ IC601-9  4.2Vp-p (5ms)	⑫ IC601-10  5.0Vp-p (5ms)
⑬ IC601-11  9.0Vp-p (5ms)	⑭ IC601-14  1.7Vp-p (5ms)	⑮ IC601-21  5.5Vp-p (20µs)	⑯ IC601-23  6.0Vp-p (20µs)
⑰ TP17  5.4Vp-p (20µs)	⑱ TP18  6.0Vp-p (20µs)	⑲ AR1-22  2.2Vp-p (20µs)	⑳ Q501-B  30Vp-p (20µs)
㉑ IC1102-24  0.15Vp-p (20µs)	㉒ IC1102-31  0.15Vp-p (20µs)	㉓ FBT-1  270Vp-p (20µs)	㉔ FBT-8  270Vp-p (20µs)
㉕ IC451-2  62Vp-p (5ms)	㉖ IC451-4  0.9Vp-p (5ms)		