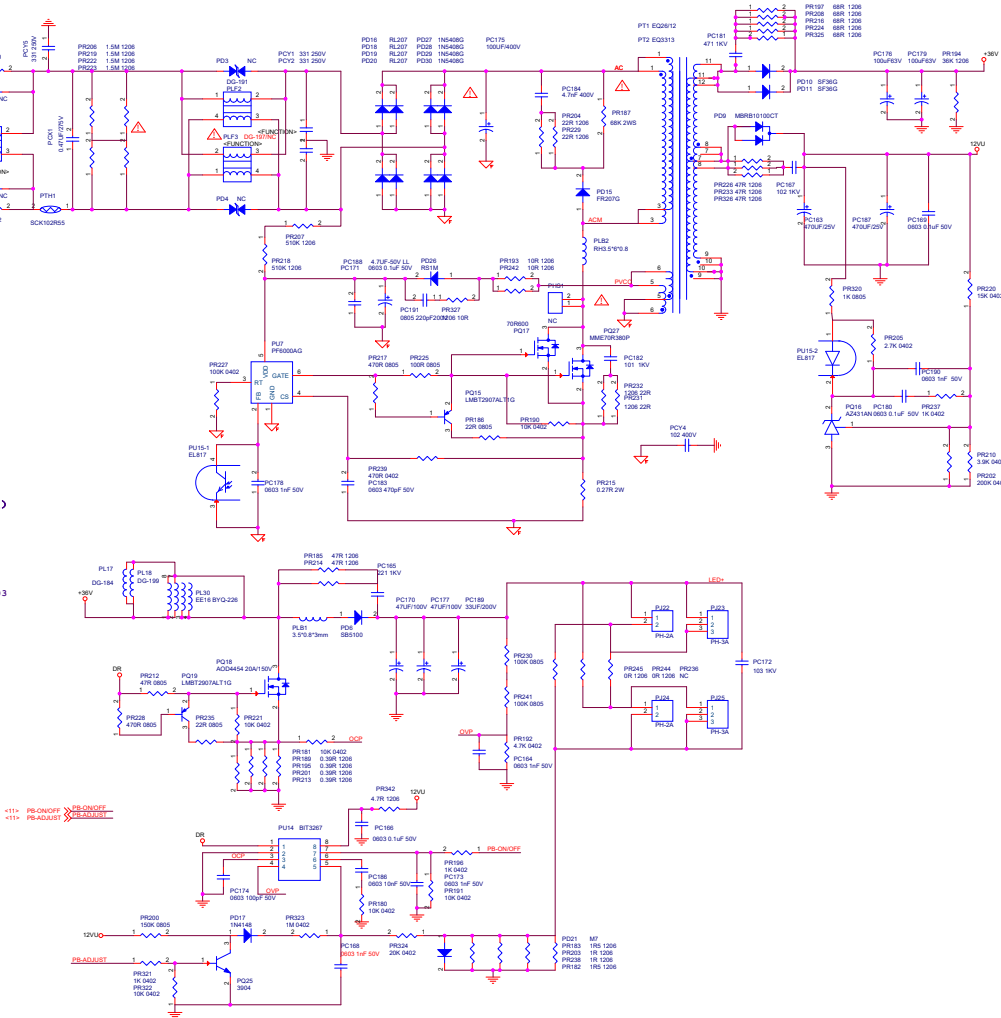


- PTH1: 统一-SCK102R55;
- PVR1: 14D561K/NC; 视客户是否要求增加而定
- PR206/PR219/PR222/PR223: 1.5M/1206 ;
- PLP4: UC15C;
- PD16,PD18,PD19,PD20: RL207; 高压地区
- PD27,PD28,PD29,PD30: 1N5408; 低压地区
- PR187: 68K/2W;
- PR193/PR242: 10K/1206;
- PR137: 10K/1206;
- PC191: X7R 470pF/50V 0805
- 非必要时NC
- PC188: LL 4.7uF/50V;
- PC173: X7R 0.1uF/50V 0603
- PR227: 100K/0402;
- PC178: X7R 1nF/50V 0603 ;
- PR225: 100R/0805; (68R-100R满足温升前提尽量大)
- PR190: 10K/0402
- PR217: 470R/0805;
- PR186: 22R/0805;
- PR15: LMBT2907
- PR239: 470R/0402;
- PC183: X7R 470nF/50V 0603
- 视前所述,实际情况选择,定封装电阻0402,电容0603
- PR215: 0.27R/2W;
- PR207: 高压地区70R380; 低压地区60R290



- PC181: 471/1KV;
- PR197/PR208/PR216,PR224,PR325: 68R/1206;
- PC167: 102/1KV;
- PR226/PR233/PR326: 默认3只47R/1206. 根据实际调试而定
- PC169: X7R 0.1uF/50V 0603
- PR220: 15K/0402 F
- PR202: 200K/0402 F
- PR210: 3.9K/0402 F
- PR320: 1K/0805; 封装0805, 原值视主控IC而做调整
- PR205: 2.7K/0402
- PR273: 1K/0402
- PC180: X7R 0.1uF/50V 0603; 最大不超过0.47uF
- PC190: X7R 1nF/50V 0603
- 虚拟负载通常情况下, 主要用在背光功率较大, 为满足温升要求而防止满载时背光灯条被点亮的情况。
- PL30: BYQ-226
- PC165: 221/1KV;
- PR185/PR214: 47R/1206
- PC170/PC177: 47uF/100V;
- PC189: 330P/200V
- PR192: 4.7K/0402固定
- PC164: X7R 1nF/50V 0603
- PR210/PR241: 封装0805, 根据背光电压设置OVP点
- PR236/PR244/PR245: 0R/1206
- PR212: 47R/0805;
- PR221: 10K/0402
- PR228: 470R/0805;
- PR235: 22R/0805;
- PR19: LMBT2907
- PR189/PR195/PR201/PR213: 0.39R/1206
- PR183: 20K/0402满足10K/0402
- 升压电感器温升满足, 建议选10K/0402, 有利于EMI
- PC166: X7R 0.1uF/50V 0603
- PC174: X7R 100pF/50V 0603
- PC173: X7R 1nF/50V 0603
- PR194: 1K/0402;
- PR191: 10K/0402
- PC186: X7R 10nF/50V 0603;
- PR180: 10K/0402
- 以实际调试为准
- PR321: 1K/0402;
- PR322: 10K/0402
- PC168: X7R 1nF/50V 0603;
- PR204: 150K/0805;
- PR223: 1M/0402;
- PR324: 20K/0402
- PC193: X7R 220pF/200V 0805 三星;
- PR343: 10R/1206;
- 保留位置, 默认不装