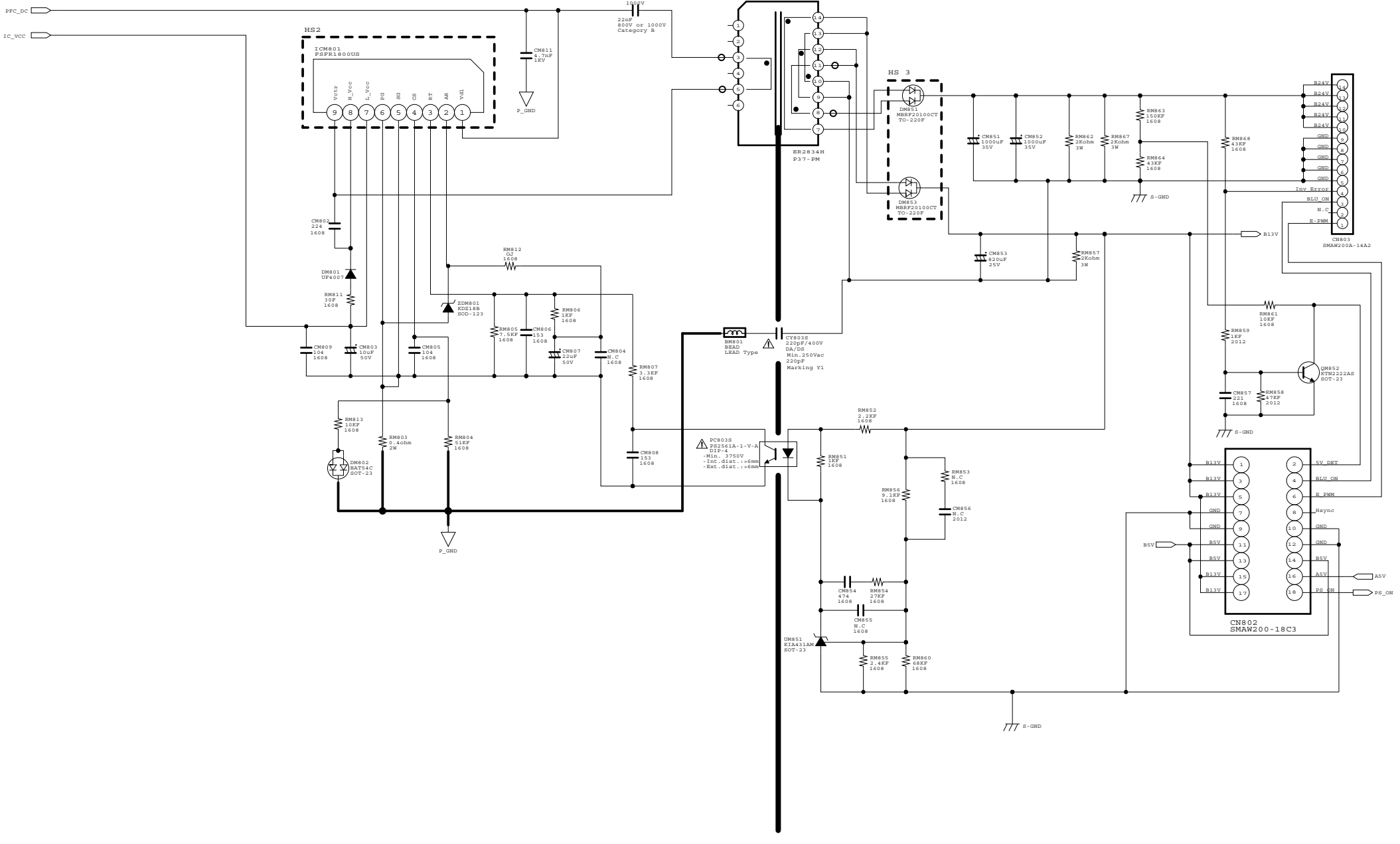


NOTE
N.C : No Connection



USER SAMSUNG ELECTRONICS		DATE 2010.01.22
MODEL NAME	SCALE	DRAWN N. J. PARK
SEC P/N : BN44-00338A	REVISION REV R.C	CHECKED Y. S. NOH
PDM NUMBER	LEVEL	APPROVED H. G. CHOI
PSLF121401A (P2632HD_ASM)		

MAIN BLOCK



NOTE
N.C : No Connection



USER SAMSUNG ELECTRONICS		DATE 2010.01.22
MODEL NAME	SCALE	DRAWN N. J. PARK
SEC P/N : BN44-00338A	REVISION REV R.C	CHECKED Y. S. NOH
PDM NUMBER	LEVEL	APPROVED H. G. CHOI
PSLF121401A (P2632HD_ASM)		