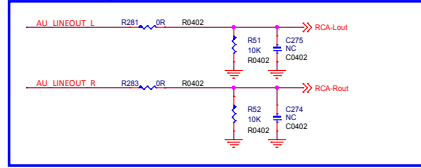
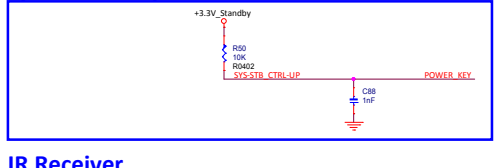


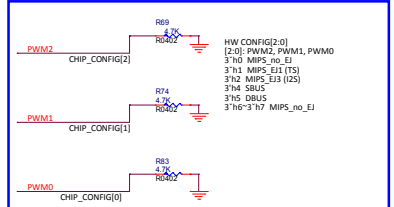
Audio Output OP Selection



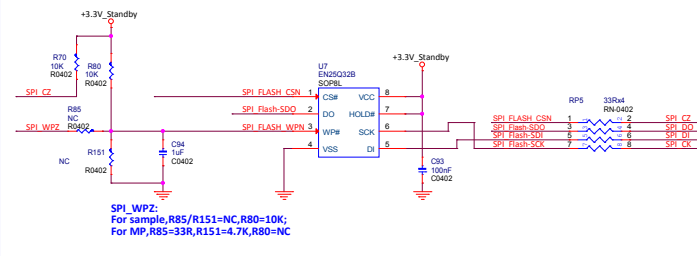
System Standby Control Button



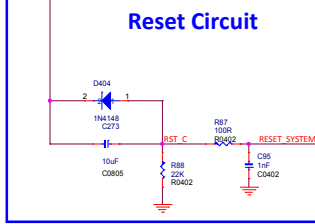
HW STRAP



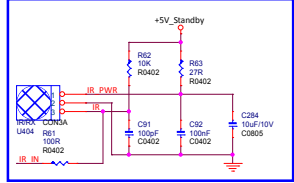
SERIAL FLASH



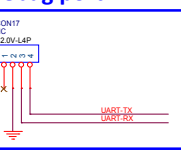
Reset Circuit



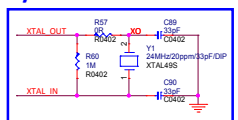
IR Receiver



Debug port

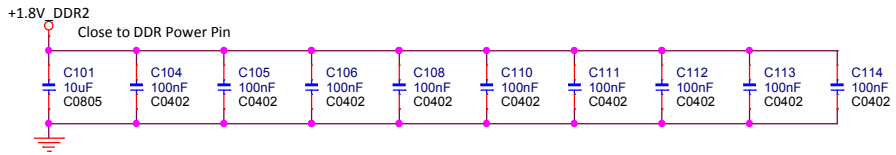
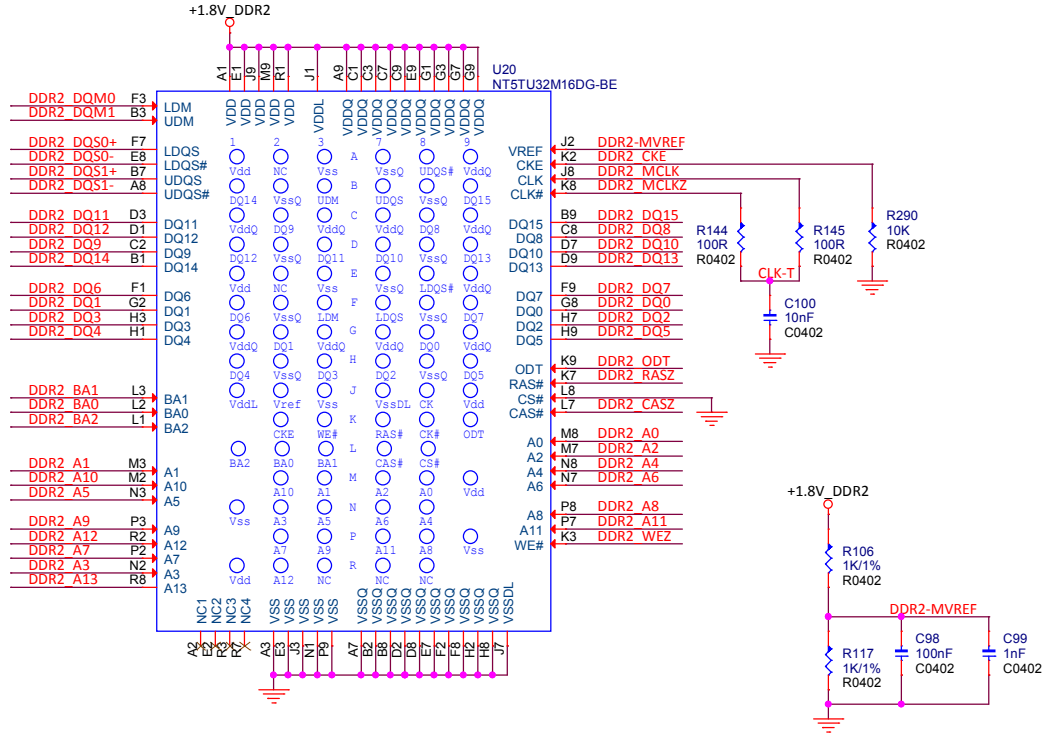
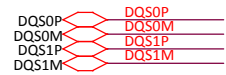
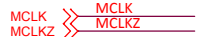


System XTAL

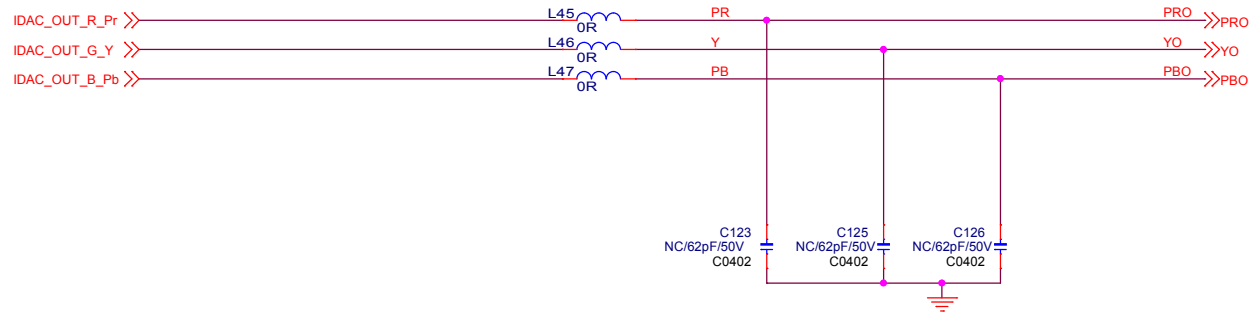


DDR2 Damping Resistors

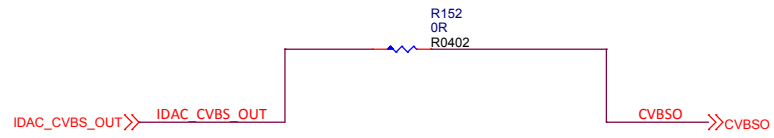
MCLKZ	R92	22R	R0402	DDR2	MCLKZ	DQS0P	R103	22R	R0402	DDR2	DQS0+
MCLK	R93	22R	R0402	DDR2	MCLK	DQS0M	R95	22R	R0402	DDR2	DQS0-
MCKE	R104	100R	R0402	DDR2	CKE	DQM0	R105	0R	R0402	DDR2	DQM0
MWEZ	R96	100R	R0402	DDR2	WEZ	DQS1P	R121	22R	R0402	DDR2	DQS1+
MODT	R97	100R	R0402	DDR2	ODT	DQS1M	R123	22R	R0402	DDR2	DQS1-
MCASZ	R98	100R	R0402	DDR2	CASZ	DQM1	R126	0R	R0402	DDR2	DQM1
MRASZ	R100	100R	R0402	DDR2	RASZ						
MBA0	R108	200R	R0402	DDR2	BA0	MDATA4	1		2	DDR2	DO4
MBA1	R110	100R	R0402	DDR2	BA1	MDATA3	3		4	DDR2	DO3
MBA2	R112	100R	R0402	DDR2	BA2	MDATA1	5		6	DDR2	DO1
						MDATA6	7		8	DDR2	DO6
MADR0	R114	100R	R0402	DDR2	A0	MDATA11	1		2	DDR2	DO11
MADR1	R116	100R	R0402	DDR2	A1	MDATA12	3		4	DDR2	DO12
MADR2	R119	100R	R0402	DDR2	A2	MDATA9	5		6	DDR2	DO9
MADR3	R120	100R	R0402	DDR2	A3	MDATA14	7		8	DDR2	DO14
MADR4	R122	100R	R0402	DDR2	A4						
MADR5	R124	100R	R0402	DDR2	A5	MDATA15	1		2	DDR2	DO15
MADR6	R125	100R	R0402	DDR2	A6	MDATA8	3		4	DDR2	DO8
MADR7	R127	100R	R0402	DDR2	A7	MDATA10	5		6	DDR2	DO10
MADR8	R129	100R	R0402	DDR2	A8	MDATA13	7		8	DDR2	DO13
MADR9	R131	100R	R0402	DDR2	A9						
MADR10	R133	200R	R0402	DDR2	A10	MDATA7	1		2	DDR2	DO7
MADR11	R135	100R	R0402	DDR2	A11	MDATA0	3		4	DDR2	DO0
MADR12	R137	100R	R0402	DDR2	A12	MDATA2	5		6	DDR2	DO2
MADR13	R139	100R	R0402	DDR2	A13	MDATA5	7		8	DDR2	DO5



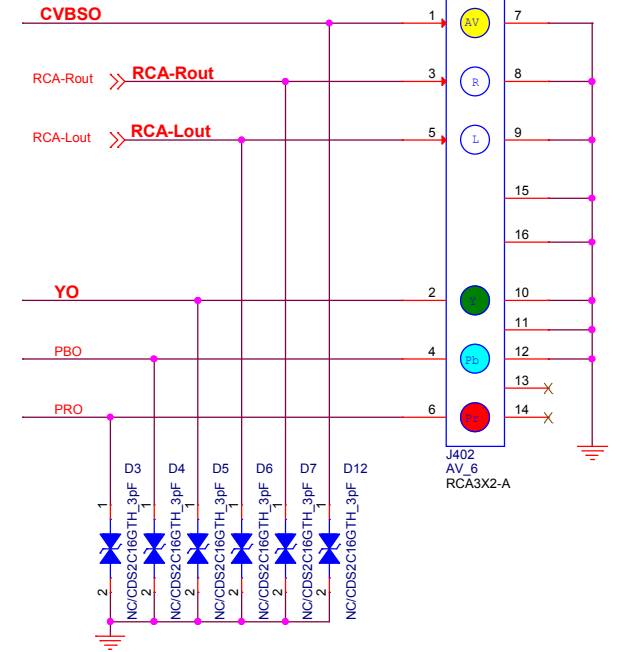
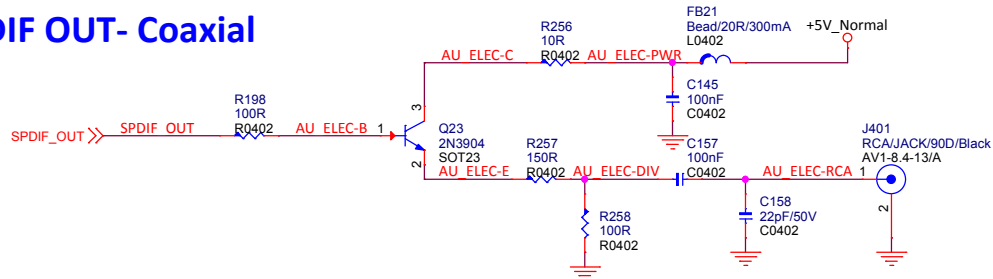
RGB IDAC Output Filter

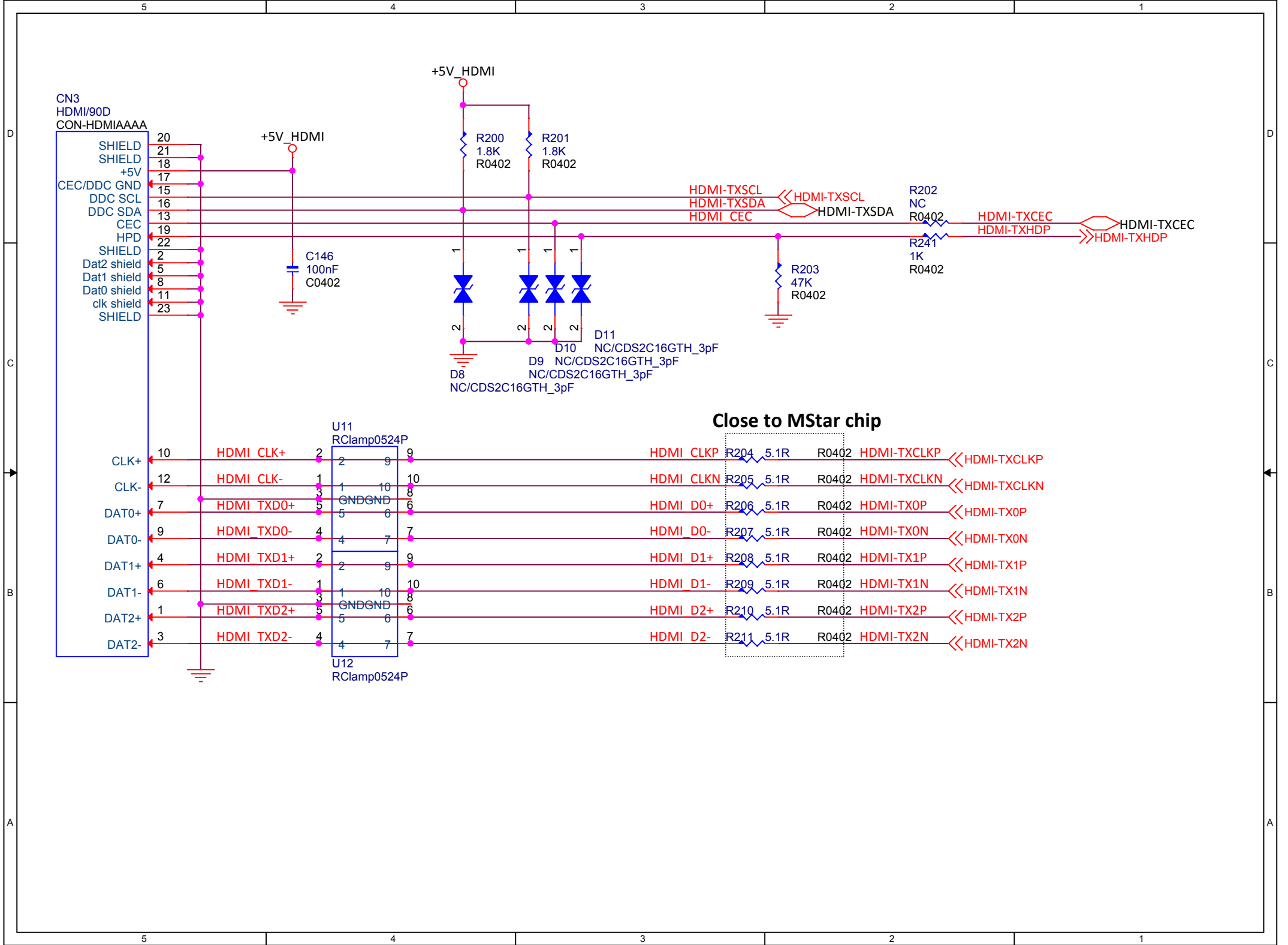


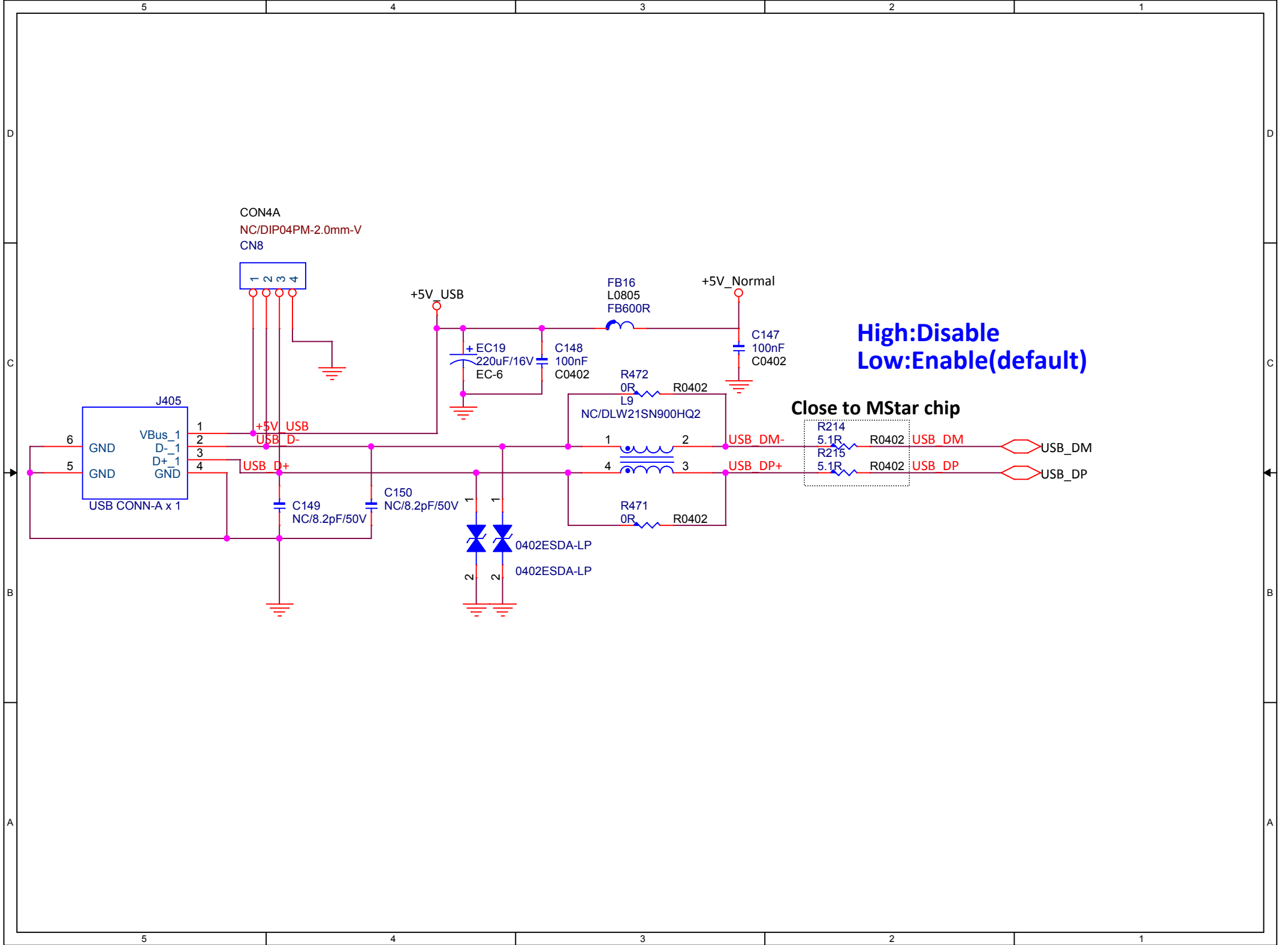
CVBS IDAC Output Filter



SPDIF OUT- Coaxial







CON4A
NC/DIP04PM-2.0mm-V
CN8

High:Disable
Low:Enable(default)

Close to MStar chip

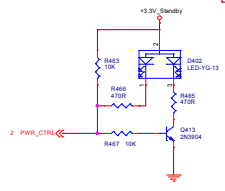
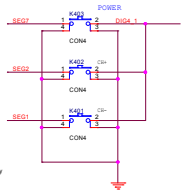
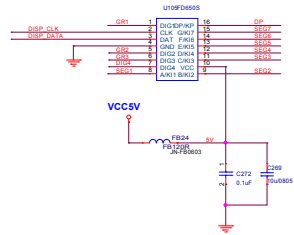
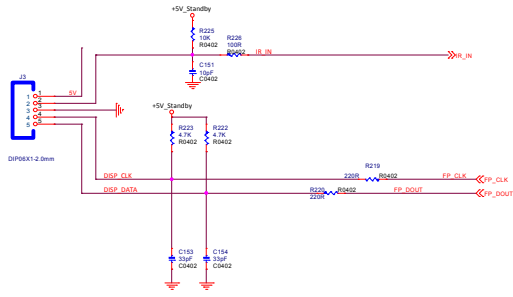
J405
VBus_1
D-_1
D+_1
GND
GND
USB CONN-A x 1

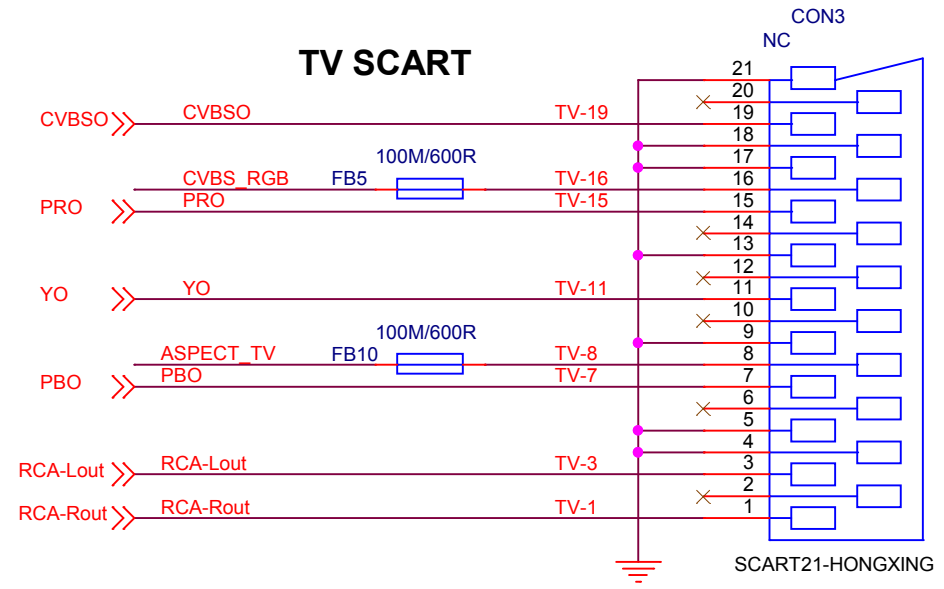
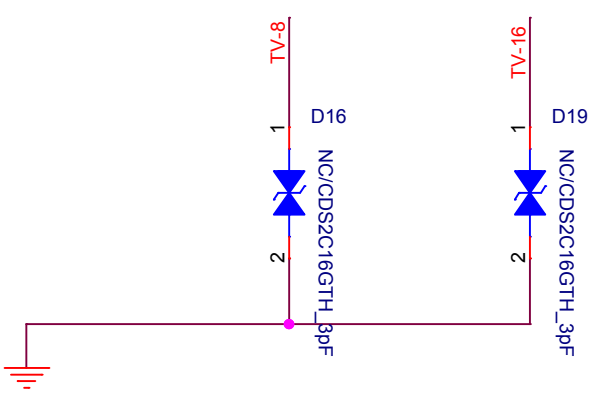
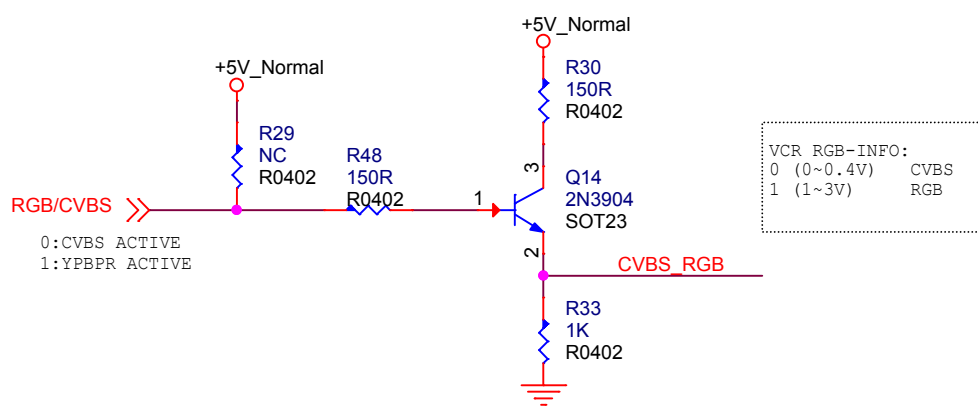
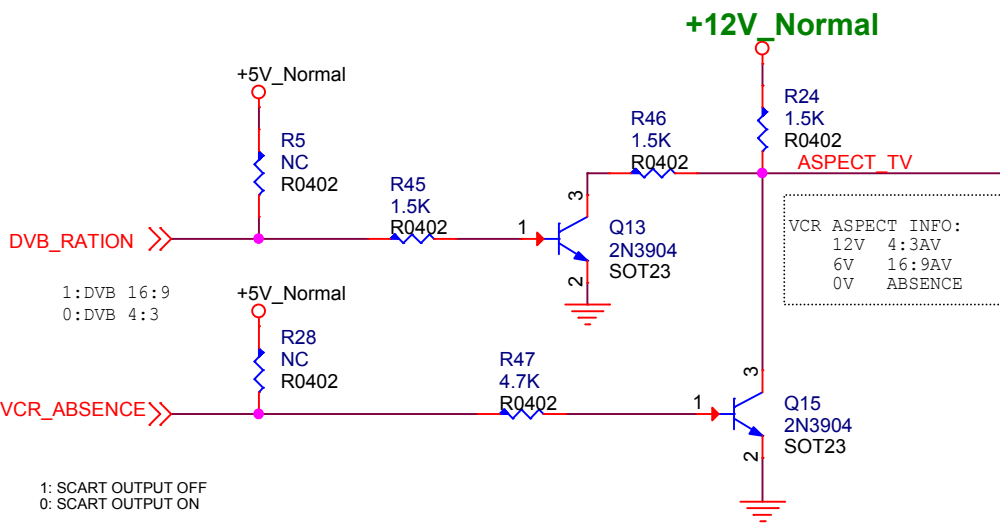
NC/DLW21SN900HQ2
R472
0R
R0402
L9
R471
0R
R0402

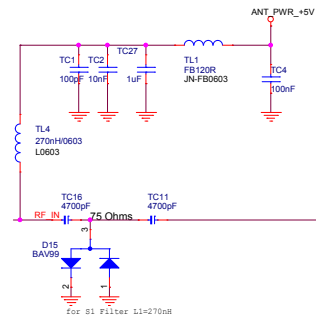
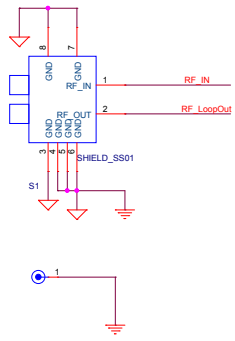
R214
5.1R
R215
5.1R

USB_DM
USB_DP

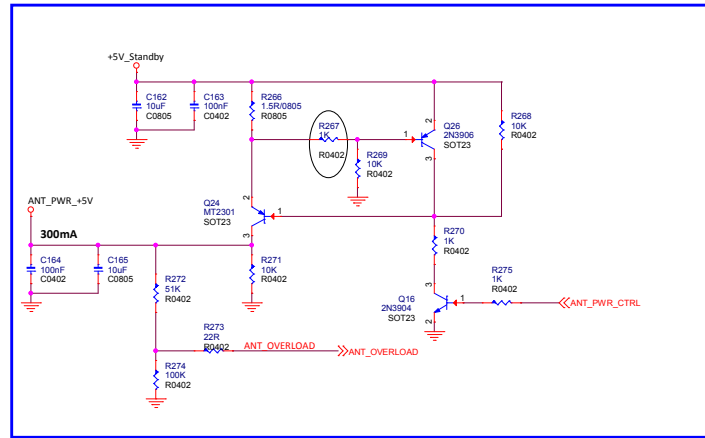
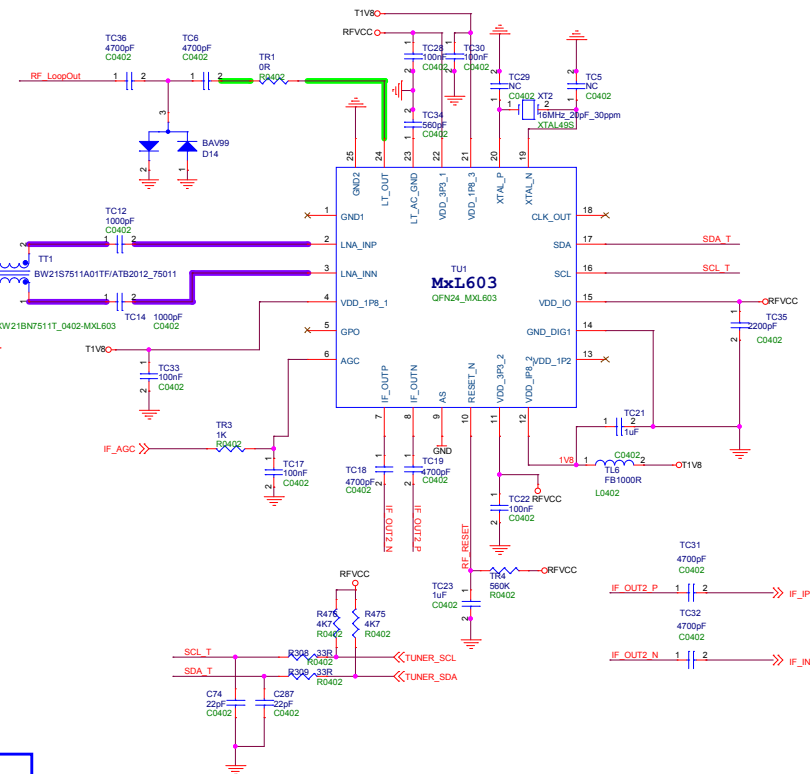
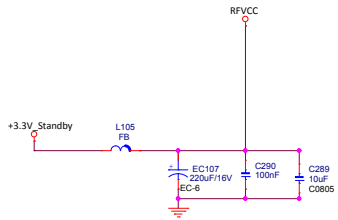
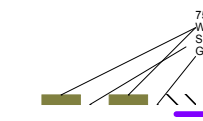
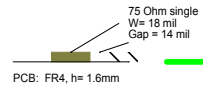
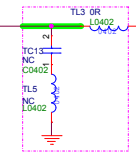
STB Front Panel Connector

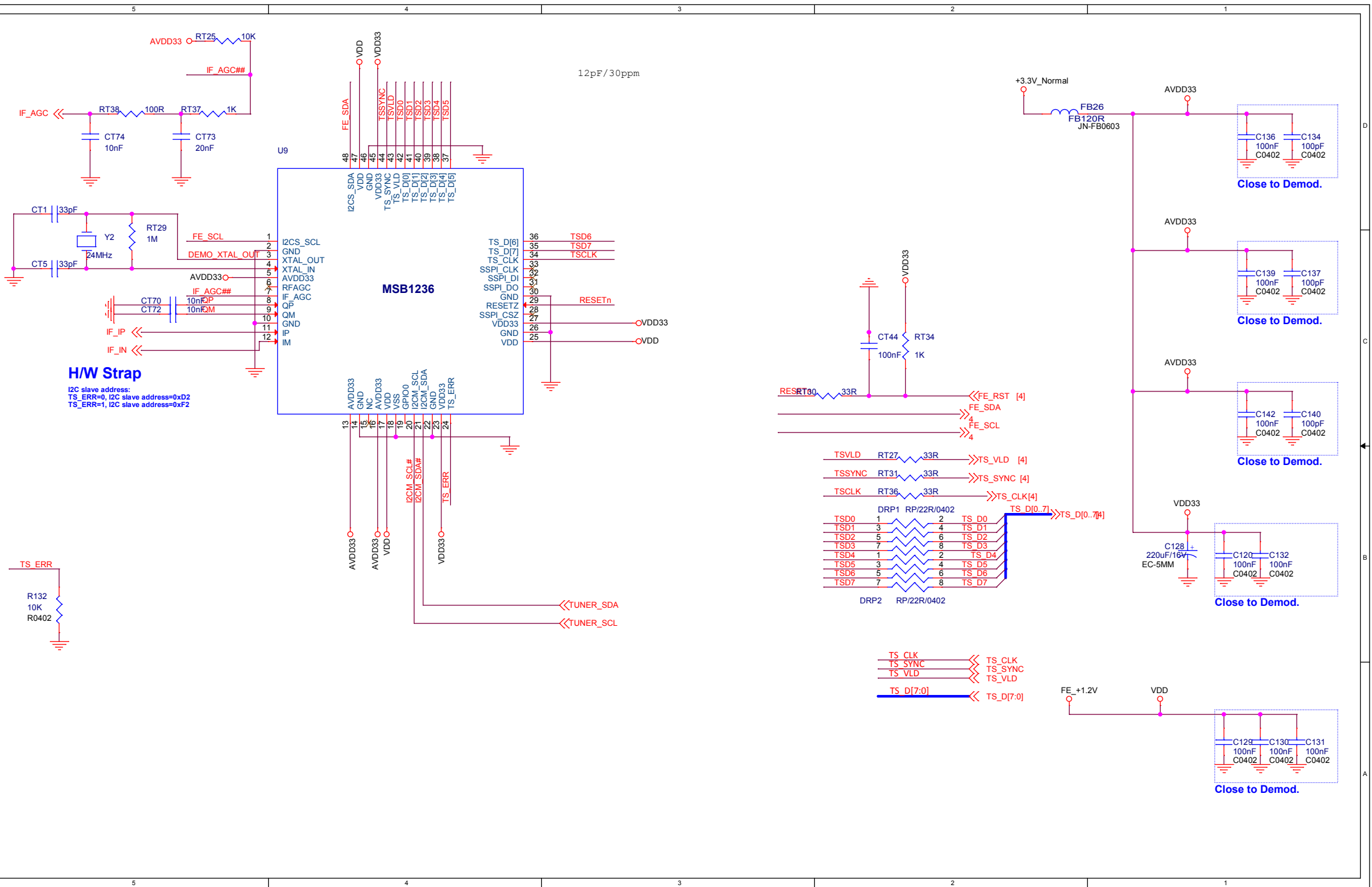




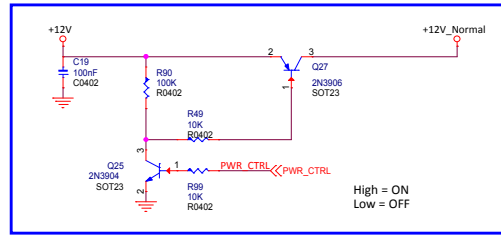


Optional Components of WIPFI Filter

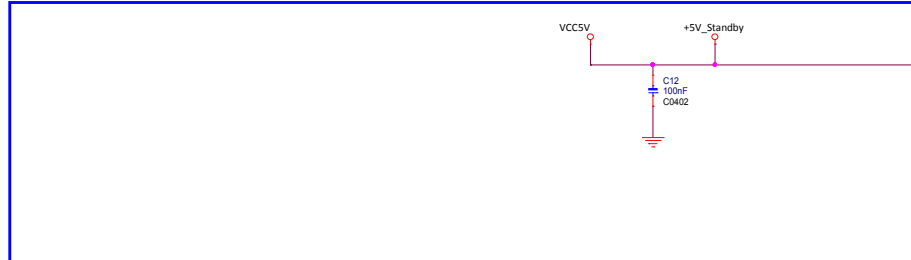




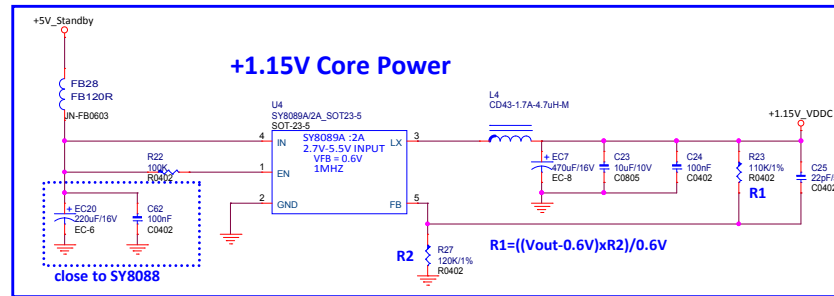
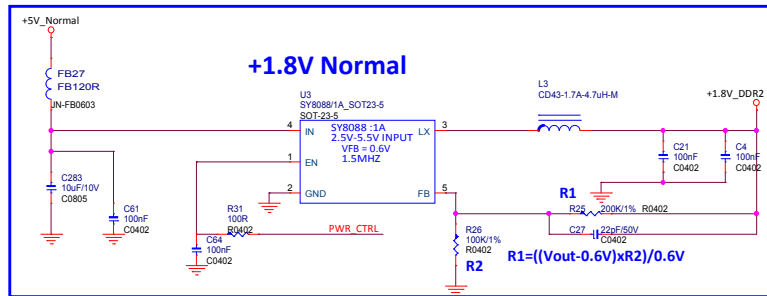
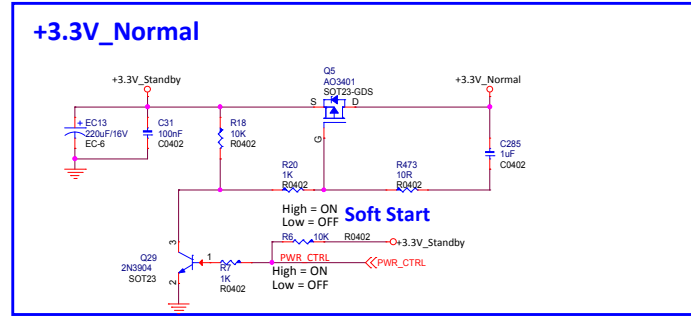
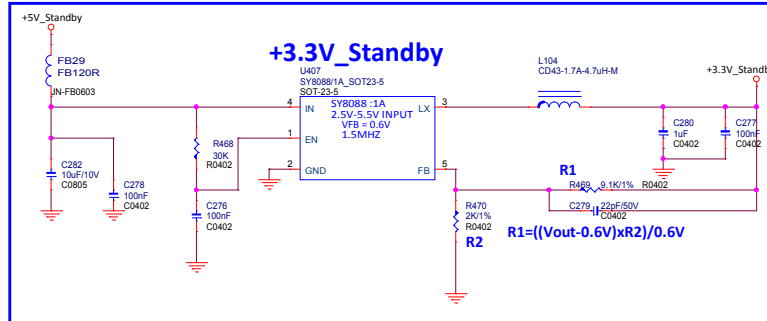
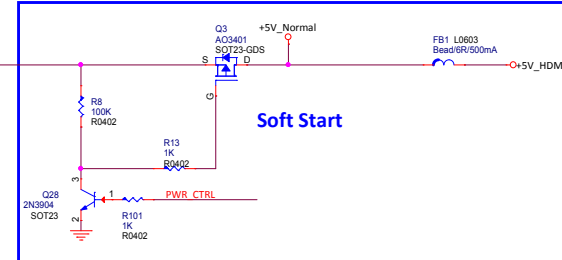
+12V_Normal for SCART



+5V Standby Power



+5V Normal Power



+1.2V Front-End Power

