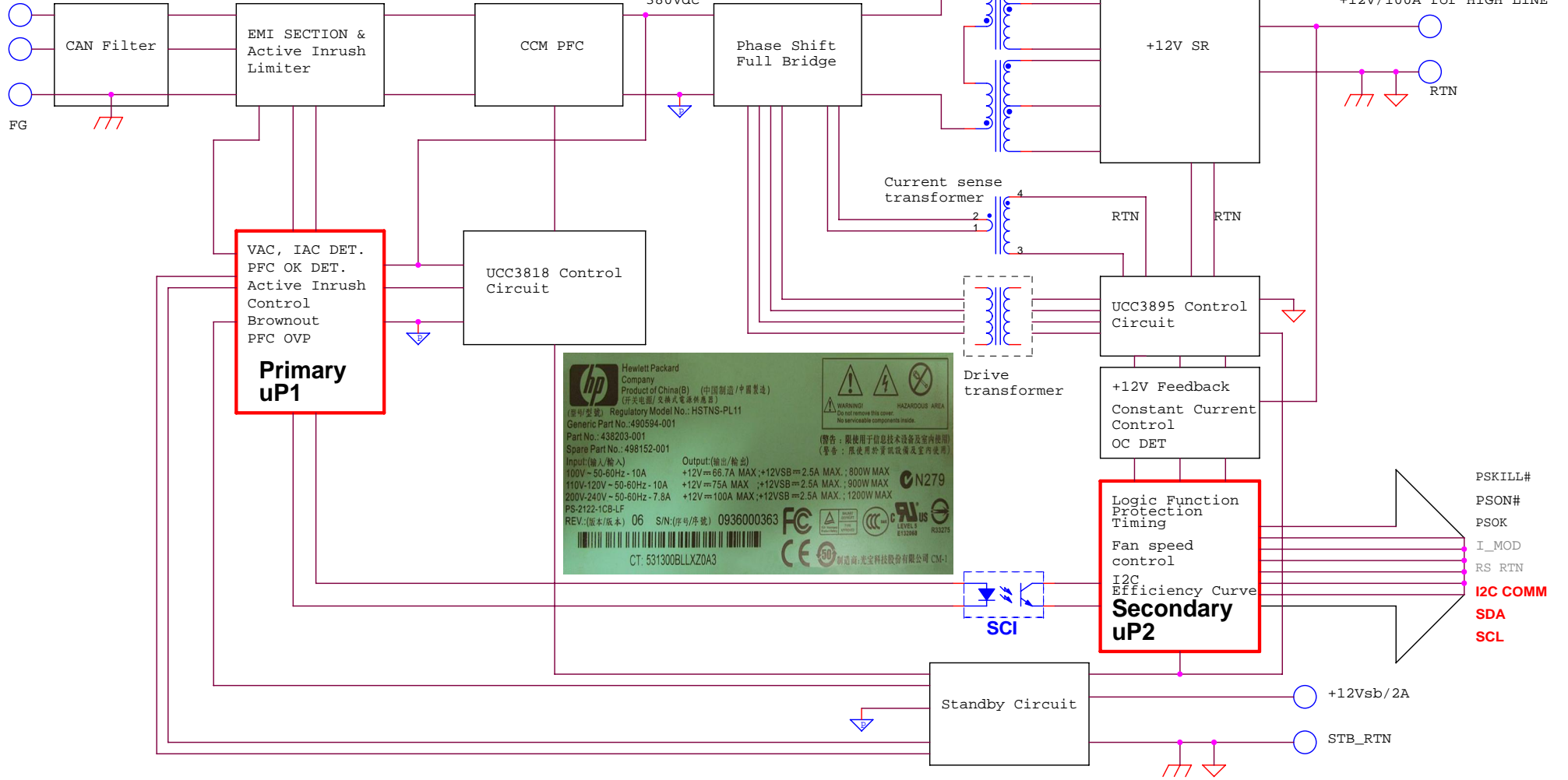


AC INPUT
90~264 Vac



+12V/63A for 90Vac
 +12V/70A for 100Vac
 +12V/85A for 120Vac
 +12V/94A for 132Vac
 +12V/100A for HIGH LINE

VAC, IAC DET.
 PFC OK DET.
 Active Inrush Control
 Brownout
 PFC OVP

Primary uP1

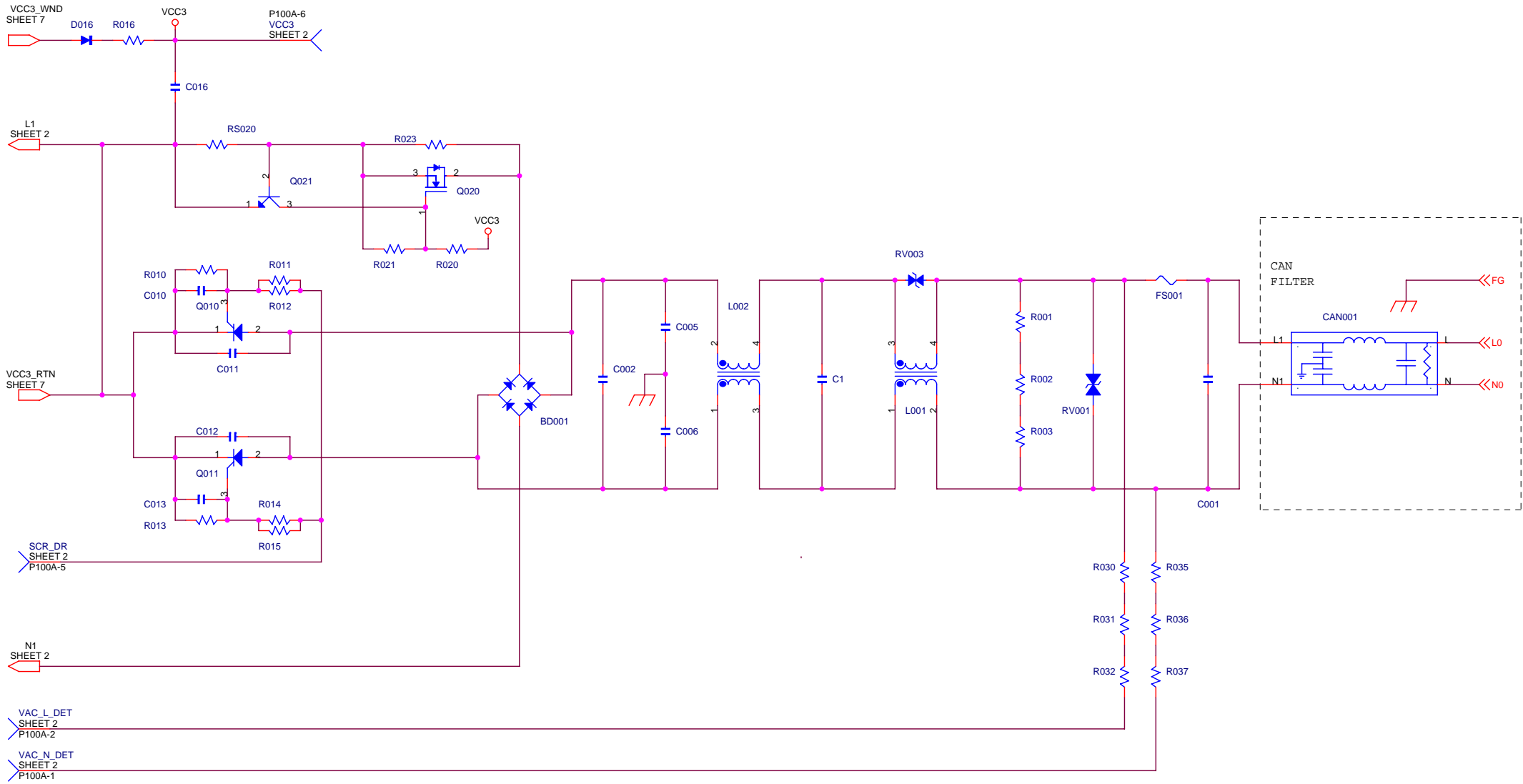
Logic Function Protection Timing
 Fan speed control
 I2C Efficiency Curve

Secondary uP2

PSKILL#
 PSON#
 PSOK
 I_MOD
 RS RTN
I2C COMM
 SDA
 SCL

PANDEMONIUM
 POWER SUPPLY
 BLOCK DIAGRAM
 REV. X3

Title BLOCK DIAGRAM		
Size B	Document Number PS-2122-1C	Rev X2
Date: Thursday, July 20, 2006	Sheet 0	of 10



VCC3 RTN
SHEET 7

SCR_DR
SHEET 2
P100A-5

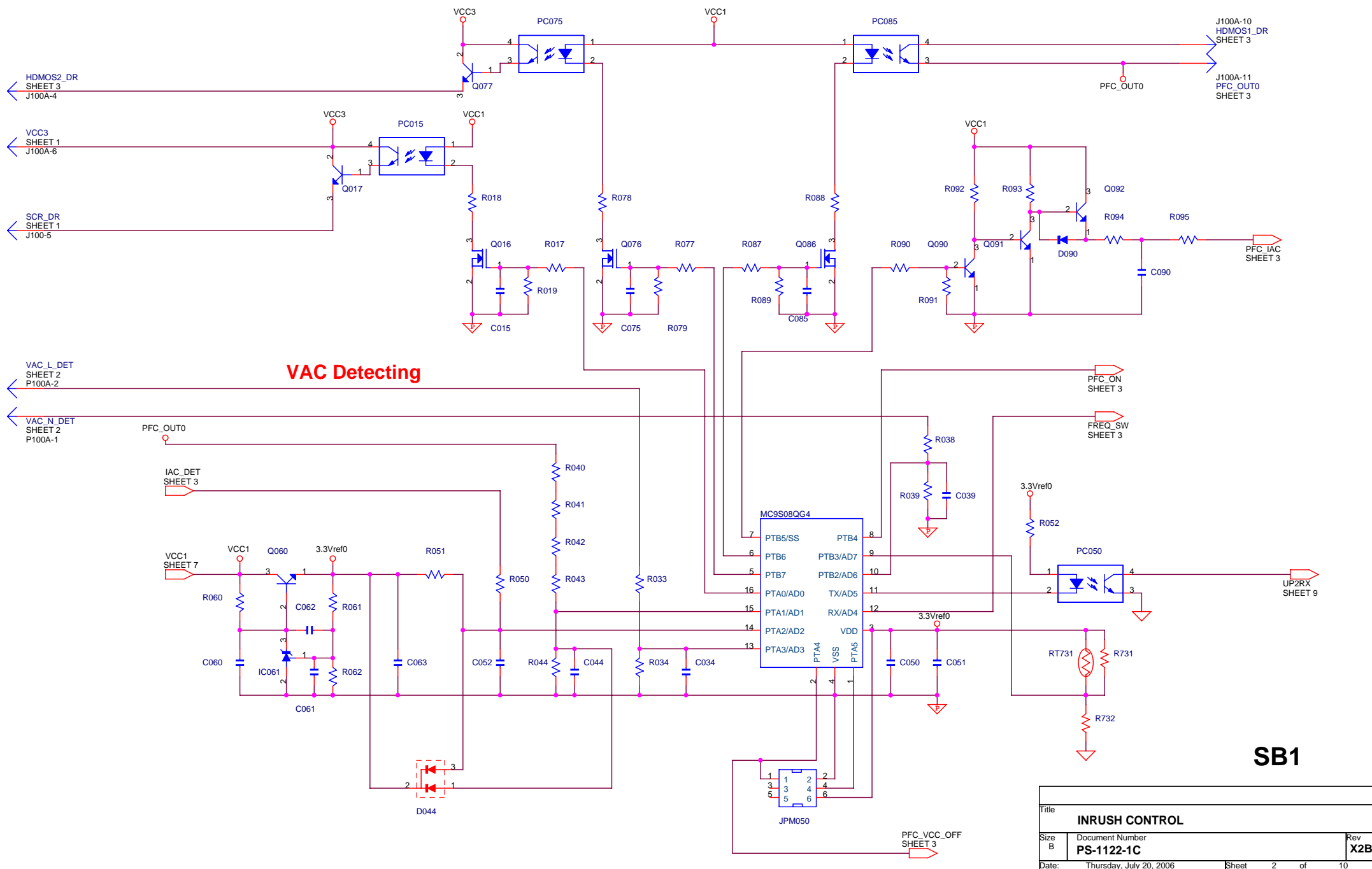
N1
SHEET 2

VAC_L_DET
SHEET 2
P100A-2

VAC_N_DET
SHEET 2
P100A-1

MB

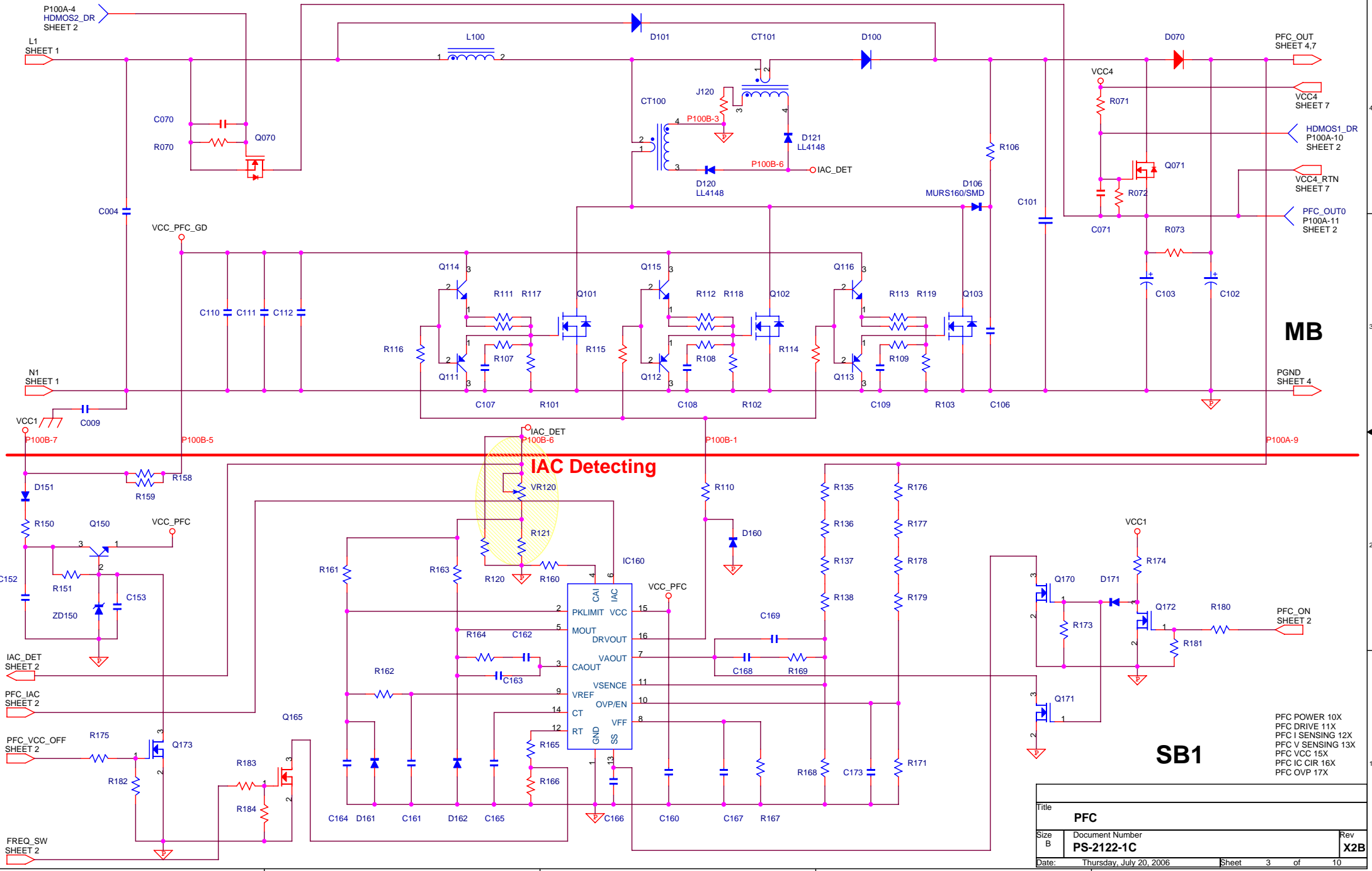
Title		
EMI + INRUSH LIMITER		
Size	Document Number	Rev
B	PS-2122-1C	X2B
Date:	Thursday, July 20, 2006	Sheet 1 of 10



VAC Detecting

SB1

Title		
INRUSH CONTROL		
Size	Document Number	Rev
B	PS-1122-1C	X2B
Date:	Thursday, July 20, 2006	Sheet 2 of 10



MB

SB1

- PFC POWER 10X
- PFC DRIVE 11X
- PFC I SENSING 12X
- PFC V SENSING 13X
- PFC VCC 15X
- PFC IC CIR 16X
- PFC OVP 17X

Title		
PFC		
Size	Document Number	Rev
B	PS-2122-1C	X2B
Date:	Thursday, July 20, 2006	Sheet 3 of 10

PFC_OUT SHEET 3

PGND SHEET 3

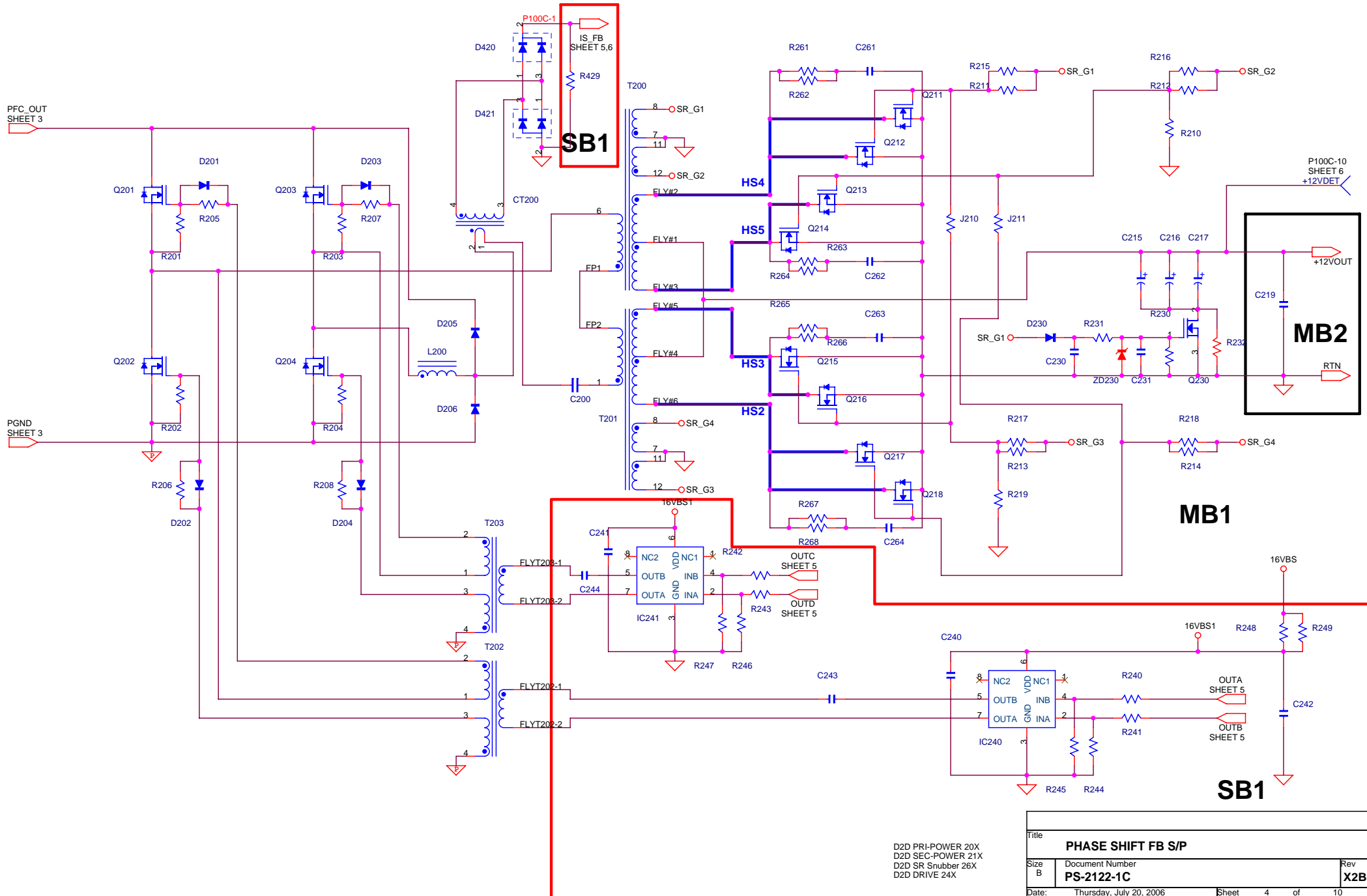
SB1

P100C-10 SHEET 6 +12VDET

MB2

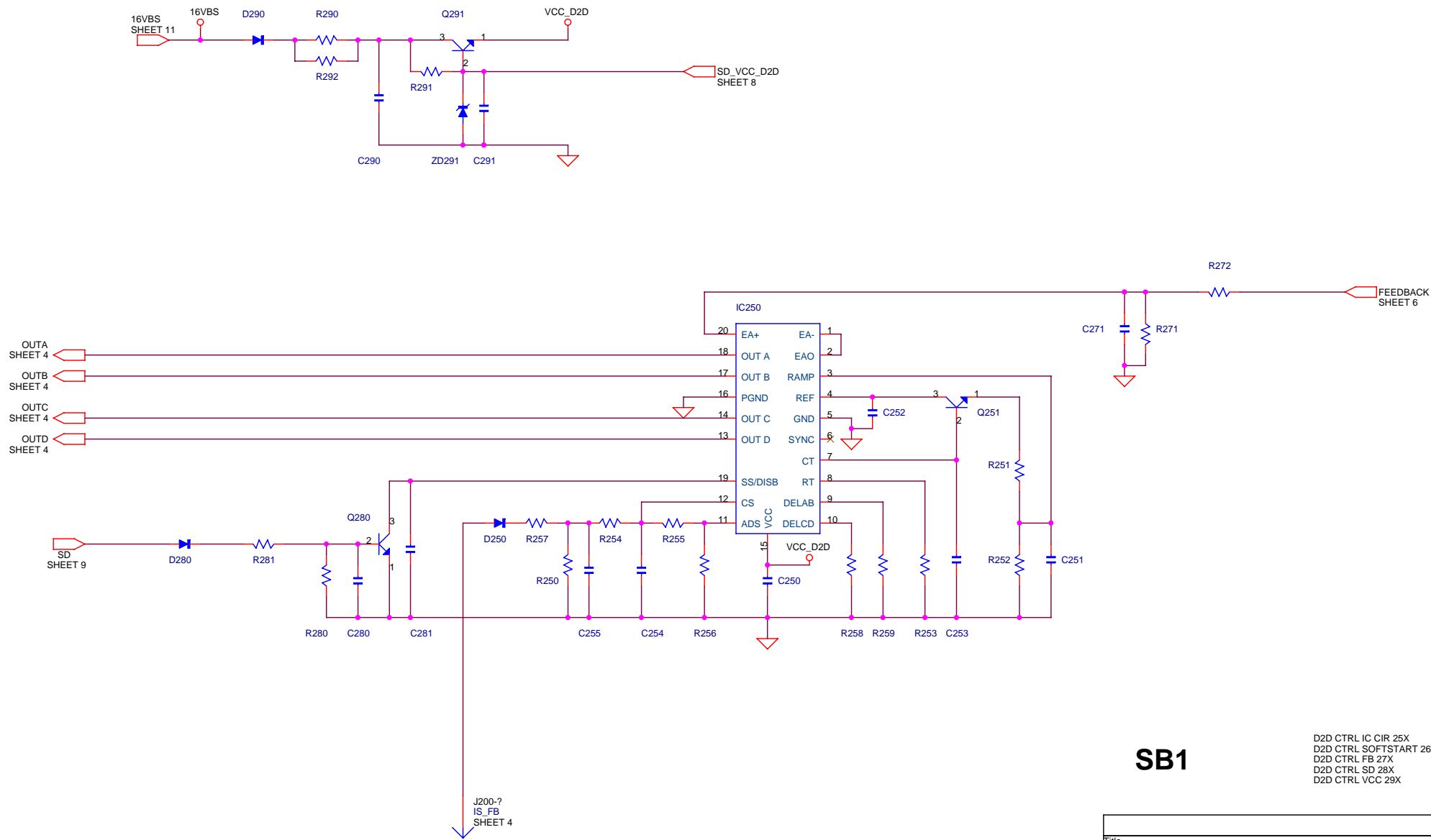
MB1

SB1



D2D PRI-POWER 20X
 D2D SEC-POWER 21X
 D2D SR Snubber 26X
 D2D DRIVE 24X

Title			PHASE SHIFT FB S/P		
Size	Document Number				Rev
B	PS-2122-1C				X2B
Date:	Thursday, July 20, 2006	Sheet	4	of	10

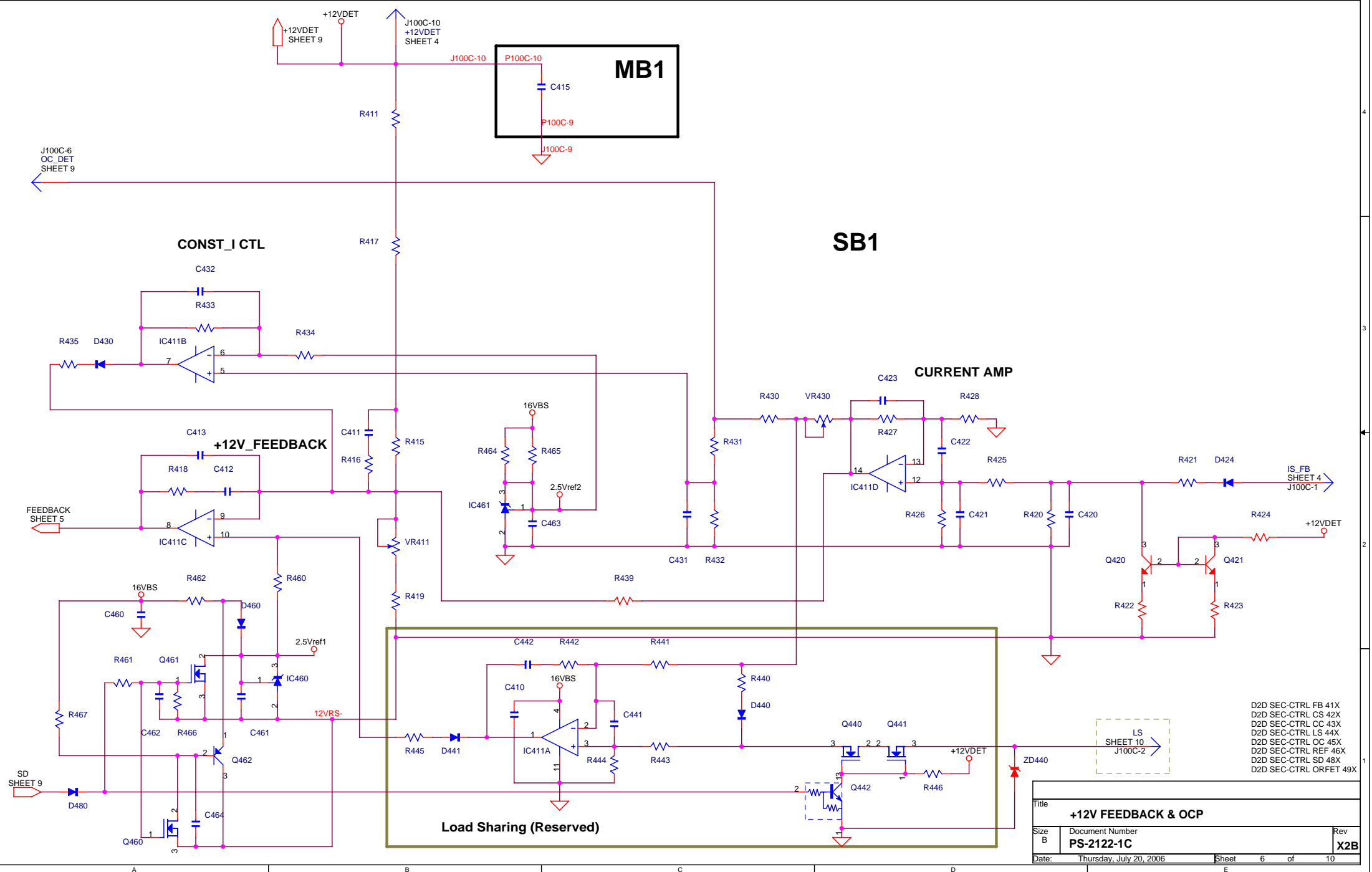


SB1

D2D CTRL IC CIR 25X
 D2D CTRL SOFTSTART 26X
 D2D CTRL FB 27X
 D2D CTRL SD 28X
 D2D CTRL VCC 29X

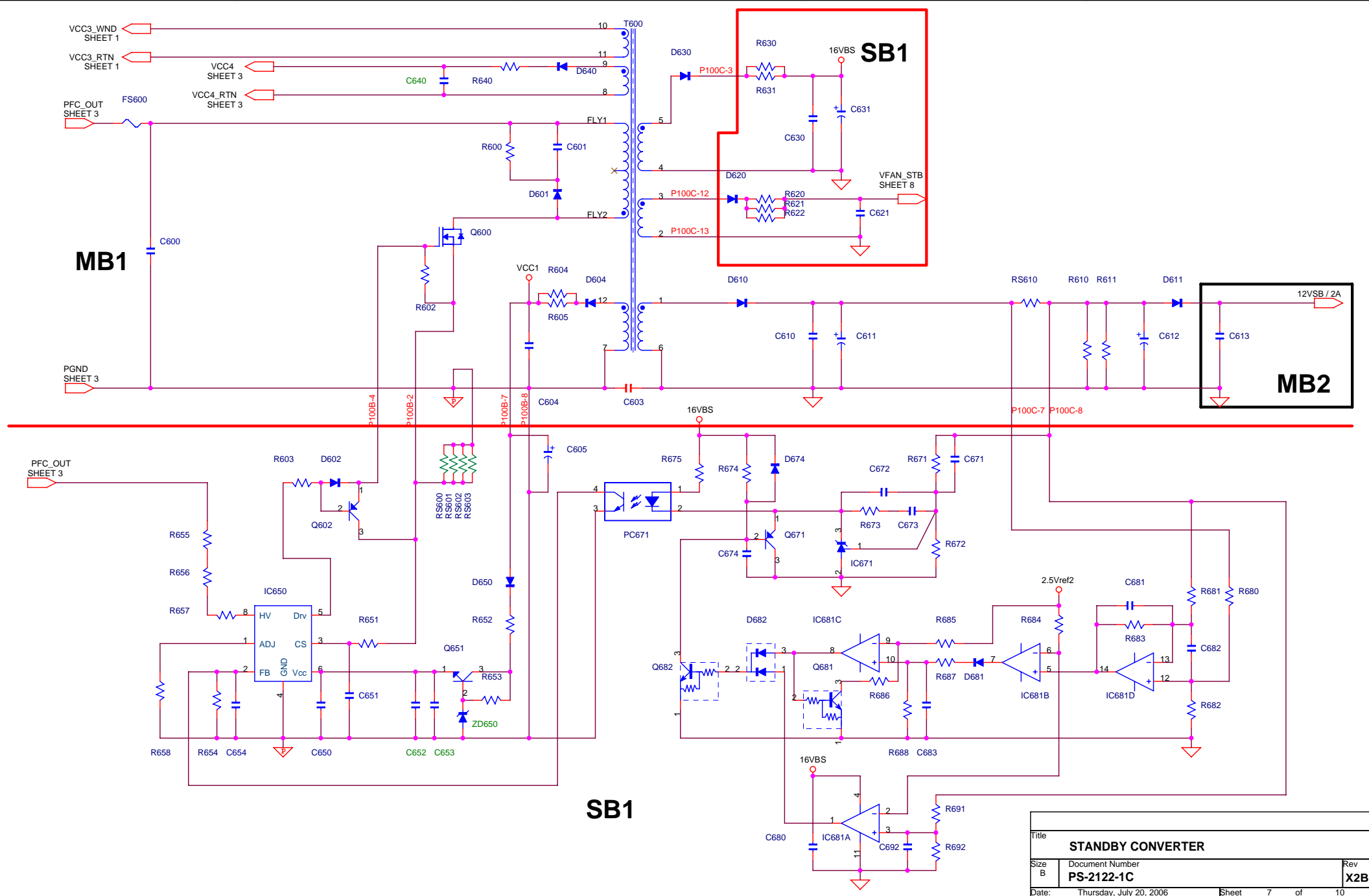
Title		
PHASE SHIFT FB CTRL		
Size	Document Number	Rev
B	PS-1122-2C	X2B
Date:	Thursday, July 20, 2006	Sheet 5 of 10

J200-?
 IS_FB
 SHEET 4

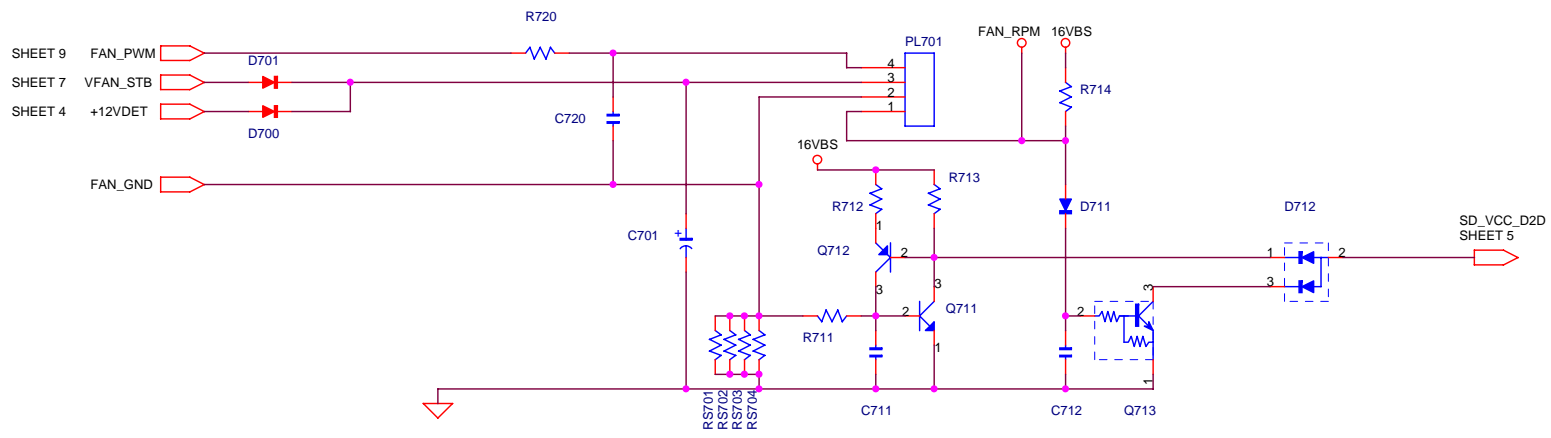


- D2D SEC-CTRL FB 41X
- D2D SEC-CTRL CS 42X
- D2D SEC-CTRL CC 43X
- D2D SEC-CTRL LS 44X
- D2D SEC-CTRL OC 45X
- D2D SEC-CTRL REF 46X
- D2D SEC-CTRL SD 48X
- D2D SEC-CTRL ORFET 49X

Title		
+12V FEEDBACK & OCP		
Size	Document Number	Rev
B	PS-2122-1C	X2B
Date:	Thursday, July 20, 2006	Sheet 6 of 10

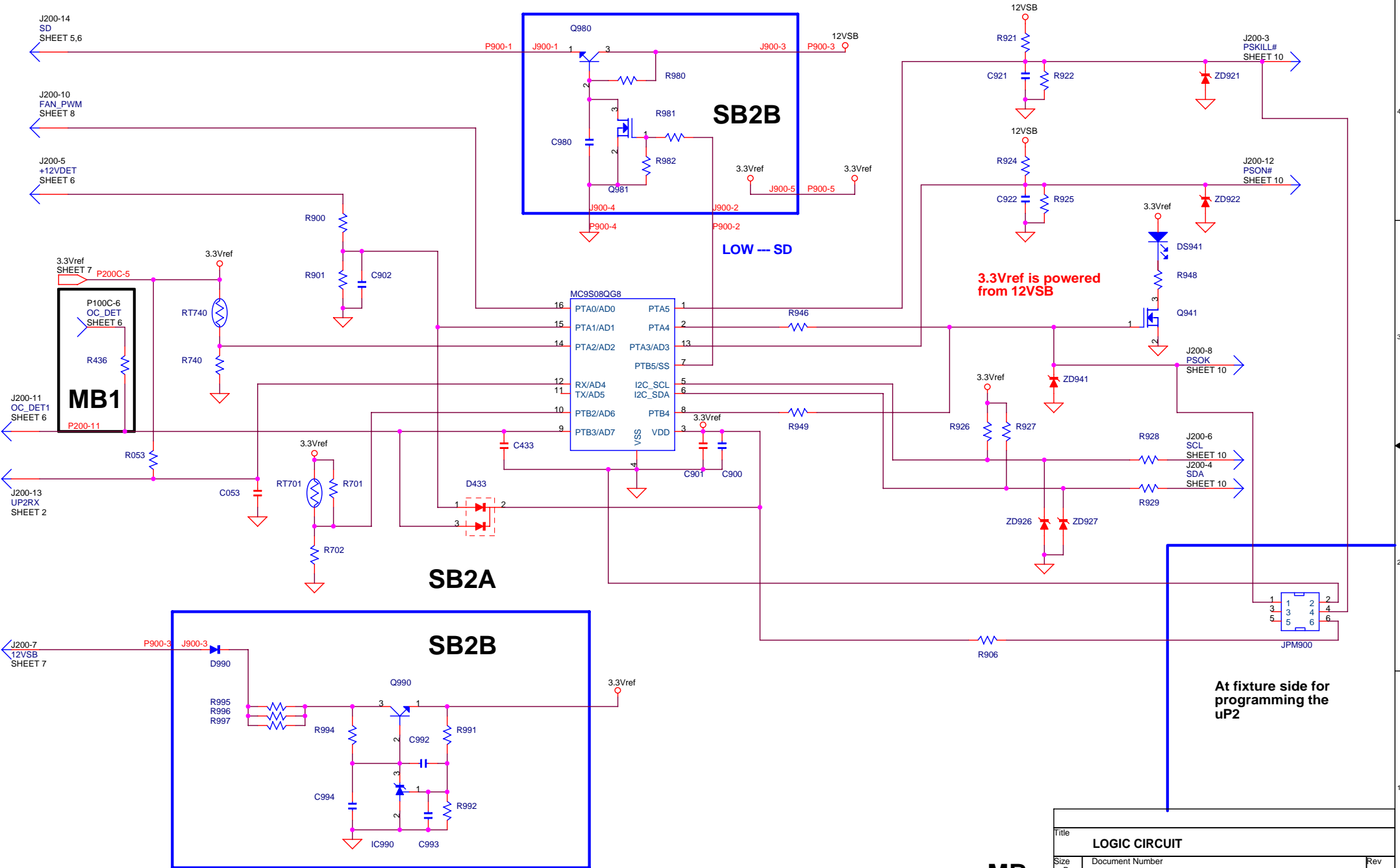


Title		
STANDBY CONVERTER		
Size	Document Number	Rev
B	PS-2122-1C	X2B
Date:	Thursday, July 20, 2006	Sheet 7 of 10



SB1

Title		
FAN CONTROL		
Size	Document Number	Rev
B	PS-1122-1C	X2B
Date:	Thursday, July 20, 2006	Sheet 8 of 10



Title			LOGIC CIRCUIT		
Size	Document Number				Rev
B	PS-2122-1C				X2B
Date:	Thursday, July 20, 2006		Sheet	9 of 10	

MB

At fixture side for programming the uP2



Hewlett Packard
Company
Product of China(B) (中国制造/中国製造)
(开关电源/ 交换式电源供应器)

(型号/型号) Regulatory Model No.: HSTNS-PL11

Generic Part No.: 490594-001

Part No.: 438203-001

Spare Part No.: 498152-001

Input:(输入/输入)

Output:(输出/输出)

100V ~ 50-60Hz - 10A

+12V == 66.7A MAX ; +12VSB == 2.5A MAX. ; 800W MAX

110V-120V ~ 50-60Hz - 10A

+12V == 75A MAX ; +12VSB == 2.5A MAX. ; 900W MAX

200V-240V ~ 50-60Hz - 7.8A

+12V == 100A MAX ; +12VSB == 2.5A MAX. ; 1200W MAX

PS-2122-1CB-LF

REV.:(版本/版本) 06 S/N:(序号/序號) 0936000363



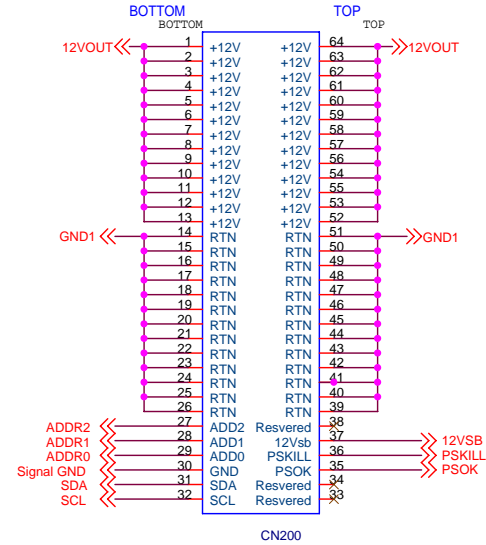
制造商:光宝科技股份有限公司 CM-1



WARNING! Do not remove this cover.
No serviceable components inside.

(警告: 限使用于信息技术设备及室内使用)

(警告: 限使用于資訊設備及室內使用)



MB

Title		
OUTPUT CONNECTOR		
Size	Document Number	Rev
B	PS-1122-1C	X3
Date:	Thursday, July 20, 2006	Sheet 10 of 10