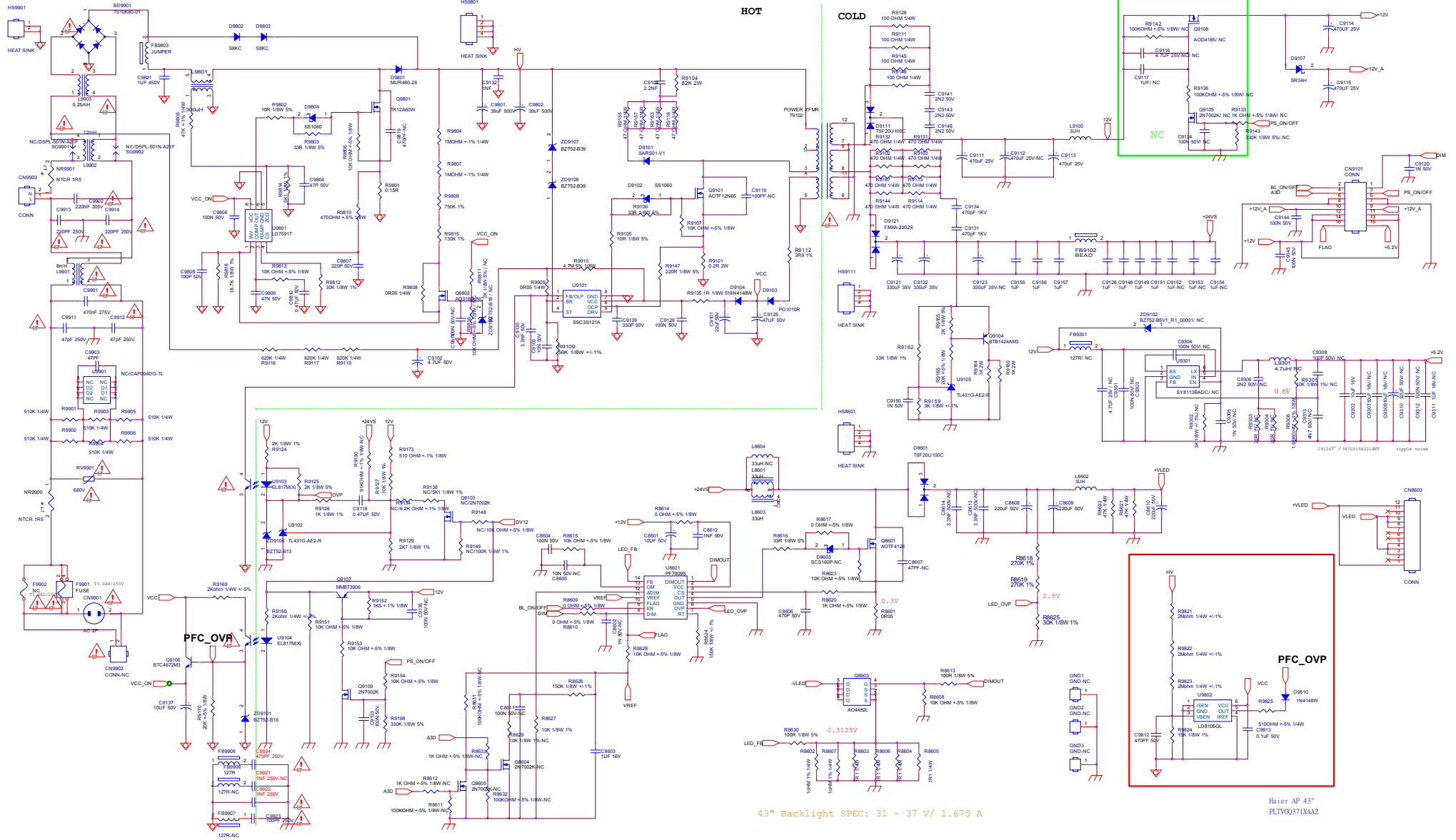


# 715G7574P0B0040020 (43")



43" Backlight SPEC: 31 ~ 37 V / 1.675 A

LE43B7600  
715G7574P0B0040020

