

AV RECEIVER

Service Manual

HT-R494

- ✓ Pre Issue (2015-Jun)
- ✓ Final Issue (2015-Jun)



CONTENTS

- ✓ [Front Cover \(This page\)](#)
- ✓ [Note for Parts List](#)
- ✓ [Panel](#)
- ✓ [Reset](#)
- ✓ [Amp Diag Mode after Abnormal Conditions](#)
- ✓ [Model and Destination](#)
- ✓ [Firmware](#)
- Adjustment (Unnecessary)
- ✓ [Hookup and Setting](#)
- ✓ [Trouble Shoot](#)
- ✓ [Disassembly](#)
- ✓ [Schematic Diagram](#)
- ✓ [Exploded View](#)
- ✓ [Appendix](#)

SAFETY-RELATED COMPONENT WARNING!! : COMPONENTS IDENTIFIED BY MARK \triangle ON THE SCHEMATIC DIAGRAM AND IN THE PARTS LIST ARE CRITICAL FOR RISK OF FIRE AND ELECTRIC SHOCK. REPLACE THESE COMPONENTS WITH ONKYO PARTS WHOSE PART NUMBERS APPEAR AS SHOWN IN THIS MANUAL. MAKE LEAKAGE-CURRENT OR RESISTANCE MEASUREMENTS TO DETERMINE THAT EXPOSED PARTS ARE ACCEPTABLY INSULATED FROM THE SUPPLY CIRCUIT BEFORE RETURNING THE APPLIANCE TO THE CUSTOMER.

ONKYO®

Published by Onkyo & Pioneer Corporation Global CS Department

File Name of Parts List File (EXCEL File)

Note for Parts List

When parts list is EXCEL file, please refer to the following explanation about file name.

PL_ **TX-SR343** (**B**) **MJJ** .xlsx

Model No.

Color

Destination

Look at the rear panel serial number 6 digit.

○ ○ ○ ○ ○ J ○ ○ ○ ○ ○ ○ ○ ○ ○ ○

Voltage

Look at the rear panel serial number 5 digit.

○ ○ ○ ○ J ○ ○ ○ ○ ○ ○ ○ ○ ○ ○ ○ ○

Color

- (B) Black
- (BR) Brown
- (C) Cherry
- (G) Gold
- (GR) Green
- (H) Gray
- (K) Black
- (L) Blue
- (LB) Light Blue
- (M) Wood
- (O) Orange
- (P) Pink
- (R) Red
- (S) Silver
- (V) Violet
- (W) White
- (Y) Yellow

Voltage

- J 100V AC
- D 120V AC
- M 220-240V AC
- P 230V AC
- U 100-240V AC

Speaker System (without AMP.) :

- 0 Passive Subwoofer
- F Front Speaker
- C Center Speaker
- R Rear Speaker
- B Back Speaker

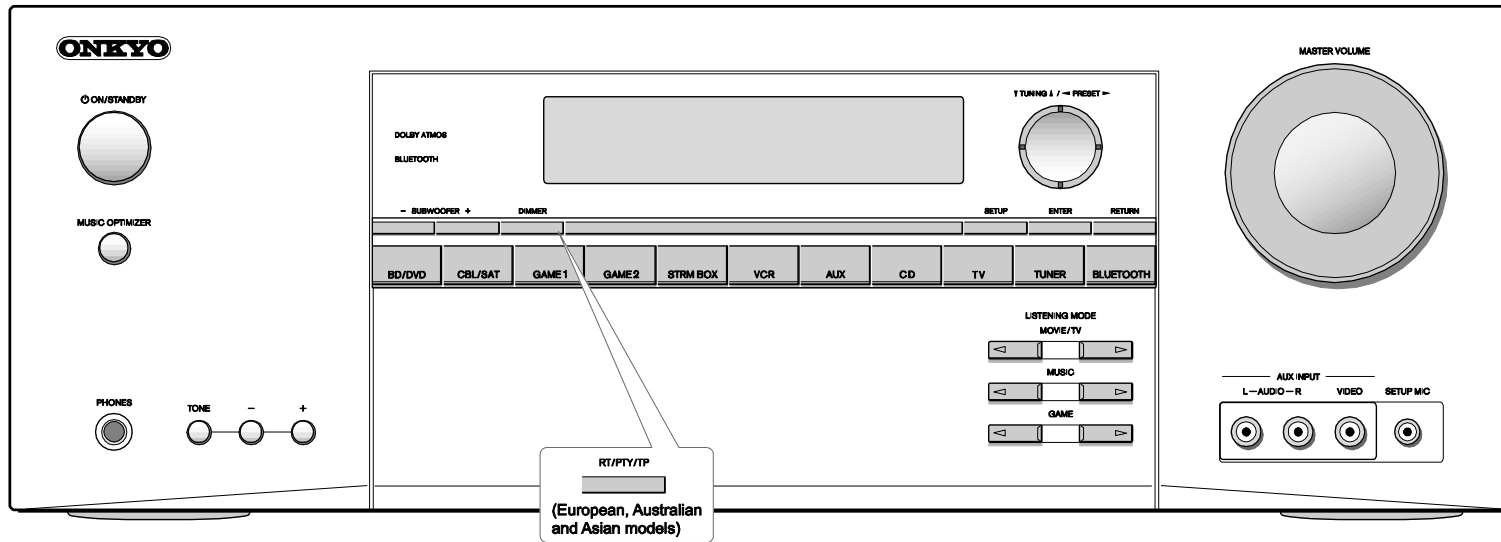
Destination

- J Japan
- C North American
- D USA
- F Taiwan
- S Brazil
- Q Hong Kong
- R China
- A Australia
- B United Kingdom
- K Korea
- L Russia
- P Europe
- U Worldwide

Speaker System (without AMP.) :

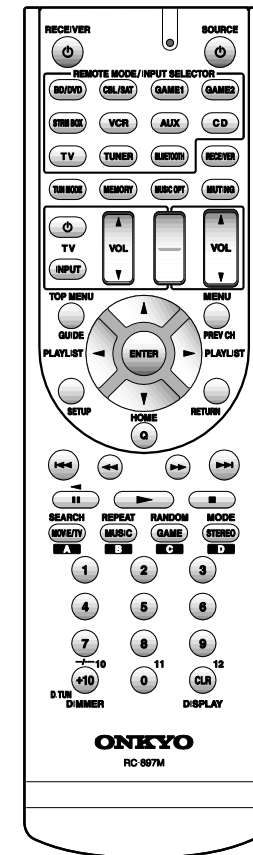
- L Left channel
- R Right channel
- 0 Center channel

Front Panel

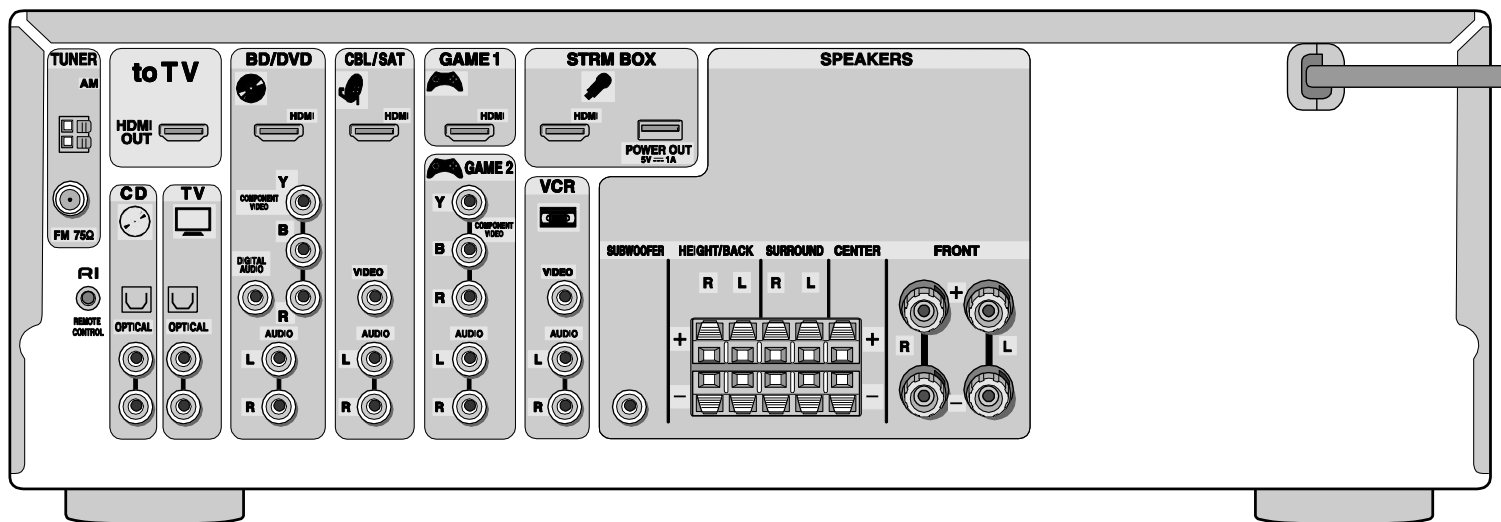


RT/PTY/TP
 (European, Australian and Asian models)

Remote Control Unit
 RC-897M



Rear Panel



Accessory

- Indoor FM antenna --- (1)
- AM loop antenna --- (1)
- Remote controller (RC-897M) --- (1)
- Batteries (AA/R6) --- (2)
- Speaker setup microphone --- (1)

The number in parenthesis indicates the quantity. On packaging, the letter at the end of the product name indicates the color.

Weight : 7.8 kg (17.2 lbs.) (North American), 8.0 kg (17.6 lbs.) (Others)
 Dimensions (W × H × D) : 435 mm × 160 mm × 328 mm, 17-1/8" × 6-5/16" × 12-15/16"

How to Reset the Unit

Reset

● How to reset:

Step1

While holding down CBL/SAT on the main unit (note that step 2 must be performed with this button pressed down)

Step2

Press ON/STANDBY on the main unit. ("Clear" appears on the display and the unit returns to standby.)

- Do not unplug the power cord until "Clear" disappears from the display.

● How to reset the remote controller:

Step1

While holding down RECEIVER on the remote controller, press Q until the remote indicator stays lit (about 3 seconds).

Step2

Within 30 seconds, press RECEIVER again.

● リセット方法 :

1.

本体のCBL/SATボタンを押しながら (必ず押した状態で2.の操作を行ってください)

2.

本体のON/STANDBYボタンを押す (表示部に「Clear」が表示されてスタンバイ状態に戻ります)

- 表示部から「Clear」が消えるまで、絶対に電源コードを抜かないでください。

● リモコンのリセット方法 :

1.

リモコンのRECEIVERボタンを押しながら、リモートインジケータが点灯するまでQボタンを3秒以上押す

2.

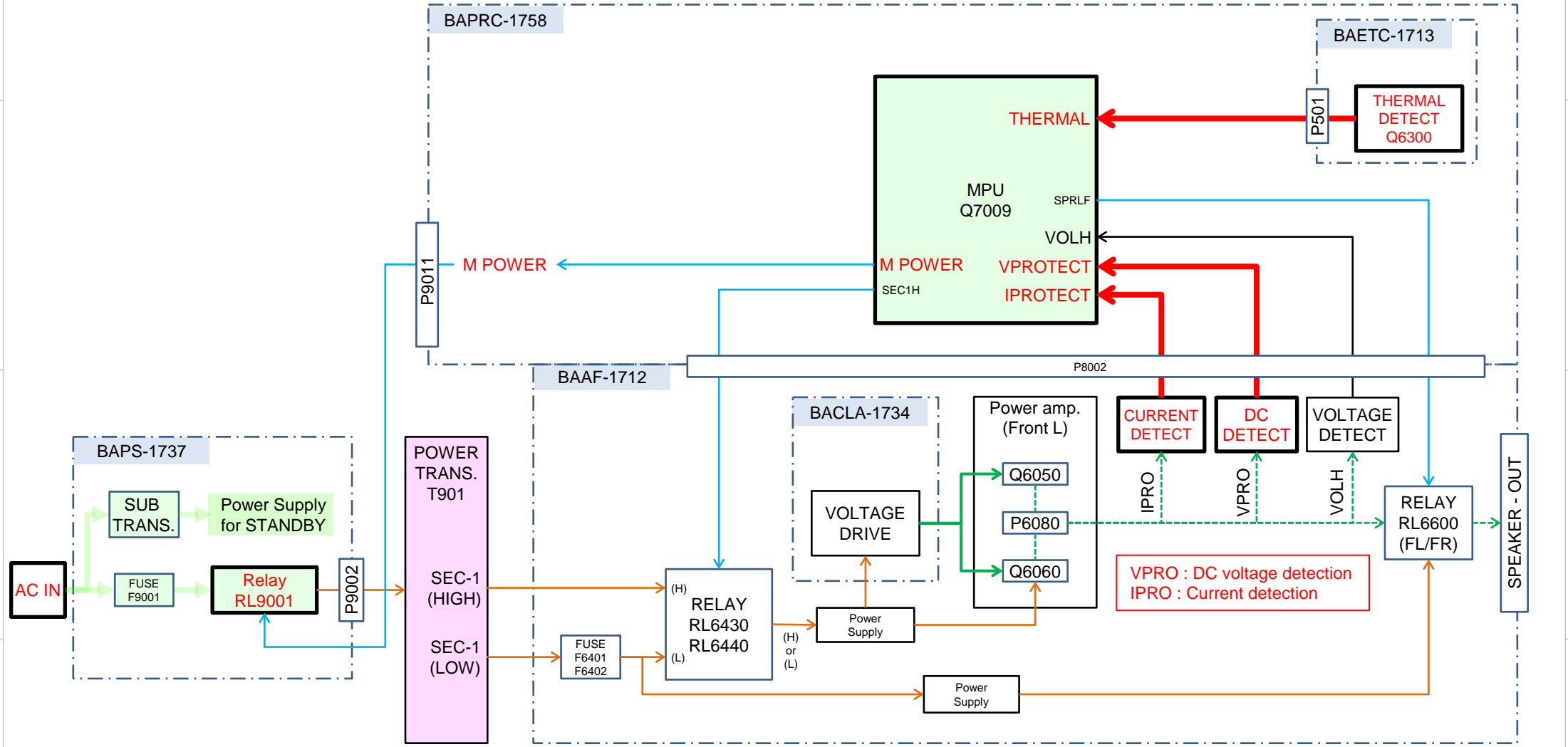
30秒以内にRECEIVERボタンをもう一度押すとリセットされる

COMMON

Protect Mode

Amp Diag Mode after Abnormal Conditions

The unit goes into standby automatically when detect the abnormal condition of thermal detection, dc voltage detection or current detection. (e.g. TX-SR343 block diagram below)



Self-diagnostics

This function is for avoiding the rupture of electrolytic capacitors with amplifier circuit failure during power-ON.

Operation of Self-diagnostic

Self-diagnostic will start at the timing of next power on, after goes to the protect mode by Current detection or DC voltage detection.

Only On/Standby key could work in this mode. Also remote control does not work. However, the CLEAR operation is enabled.

During Self-diagnostic, the power supply for amplifier circuit become low voltage state(SEC1-LOW), and the speaker relay will be turned off. Then, MPU will check each amplifier circuits Internally by entering the test signal (20 kHz,-20 dBFS sine wave) to each channel from DSP.

MPU will judge the amplifier circuit is good or not from VOLH value.

The normal range of VOLH value is $0.04\text{ V} < \text{VOLH} < 0.20\text{ V}$.

If VOLH value is in the out of this range, it will be judged as NG (No good).

No problem found

When protected by current detection, and no problem found, "CHECK SP WIRE" will be displayed. In this State, Only the On/Standby key is effective. And if do not anything for 3 minutes, unit goes into standby automatically.

When protected by a DC voltage detection, and no problem found, unit goes into normal operation.

Problem found

When judged as there is a problem on any channel, the information of channel that has a problem will be displayed as in the right figure.

In this State, Only the On/Standby key is effective. Also remote control does not work. If do not anything for 3 minutes, unit goes into standby automatically. This state will keep also after unit turn on/off, or AC unplugged.

the power supply for amplifier circuit become low voltage state(SEC1-LOW), and the speaker relay will be turned off.

Amp Diag Mode after Abnormal Conditions

Display of during Self-diagnostics

2 Line FL tube type

| | | | | | | | | | | | | | |
|---|---|---|--|---|---|---|---|--|---|---|---|---|--|
| A | M | P | | D | i | a | g | | M | o | d | e | |
| | | | | | | | | | | | | | |

1 Line FL tube type

| | | | | | | | | | | | | | |
|---|---|---|--|---|---|---|---|--|---|---|---|---|--|
| A | M | P | | D | i | a | g | | M | o | d | e | |
|---|---|---|--|---|---|---|---|--|---|---|---|---|--|

"Mode" This part display the channel which is currently checked. (E.g. "[FL]", etc.)

Display of when problem found

2 Line FL tube type

| | | | | | | | | | | | | | |
|---|---|--|---|---|---|---|---|---|---|---|---|---|---|
| N | G | | C | H | : | | | | | | | | |
| | | | L | C | R | S | L | S | R | B | L | B | R |

1 Line FL tube type

| | | | | | | | | | | | | | |
|---|---|---|---|---|---|---|---|---|---|---|---|---|---|
| N | G | : | L | C | R | S | L | S | R | B | L | B | R |
|---|---|---|---|---|---|---|---|---|---|---|---|---|---|

- L** → Front L channel **S L** → Surround L channel
- C** → Center channel **S R** → Surround R channel
- R** → Front R channel **B L** → Surround back L channel
- B R** → Surround back R channel

Repair Process and How to Confirm

Confirmation of the protect cause

While NG channel is displayed, You can confirm the protect cause by following the step below.

1. Press the Enter button
2. The protect cause are displayed for 5 seconds.

Please check the around of those amplifier circuit and repair it.

Clear of NG CH information

After repair, you can clear NG CH information by following the steps below.

1. Press the On/Standby key while pressing the Enter key.
2. Display as in the right figure appears.
3. Unit goes into Standby automatically after 5 seconds.

Self-diagnostic will start again at the timing of next power on.

By this, You can verify whether repair was properly or not.

If problem found after repair, please re-check the around of its circuit.

Cancel of Self-diagnostic

You can cancel this mode by clear operation (press Standby key while pressing CBL/SAT key).

After cancel this mode, receiver will be started as normal operation.

Amp Diag Mode after Abnormal Conditions

Protected by current detection

D E T . P R O T E C T : I

Protected by DC Voltage detection

D E T . P R O T E C T : V

Clear of NG CH information

N G C H C L E A R

How to check model and destination

Model and Destination

[TV] + [ON/STANDBY] → [DIMMER] or [RT/PTY/TP] → [TONE +] x 4

| Model Name | Destination | FL Display | | | | | | | | | | | | | |
|------------|-------------|------------|---|---|---|---|--|--|---|---|--|---|---|---|---|
| TX-SR343 | DC | S | R | 3 | 4 | 3 | | | D | C | | 2 | 0 | 0 | 0 |
| TX-SR343 | DF | S | R | 3 | 4 | 3 | | | D | F | | 0 | 0 | 0 | 0 |
| TX-SR343 | JJ | S | R | 3 | 4 | 3 | | | J | J | | 4 | 0 | 0 | 0 |
| TX-SR343 | xx | S | R | 3 | 4 | 3 | | | x | x | | 8 | 0 | 0 | 0 |
| TX-SR444 | DC | S | R | 4 | 4 | 4 | | | D | C | | 2 | 2 | 0 | 0 |
| TX-SR444 | DF | S | R | 4 | 4 | 4 | | | D | F | | 0 | 2 | 0 | 0 |
| TX-SR444 | xx | S | R | 4 | 4 | 4 | | | x | x | | 8 | 2 | 0 | 0 |
| HT-R494 | DC | R | 4 | 9 | 4 | | | | D | C | | 2 | 2 | 0 | 2 |
| HT-R494 | xx | R | 4 | 9 | 4 | | | | x | x | | 8 | 2 | 0 | 2 |

How to check Firmware Version & Preparation of Update

Firmware

Step1 : [TONE +] + [ON/STANDBY] x 2

Main Firmware Version will appear on the main unit's display.

Step2 : [TONE +]

DSP Firmware Version will appear on the main unit's display.

Step3 : [TONE +]

VIDEO Firmware Version will appear on the main unit's display.

Step5 : [TONE +]

OSD Firmware Version will appear on the main unit's display.

[Preparation of Update]

1. Connect the MMC storage device to your PC. If there is any data in the MMC storage device, remove it.
2. Download the firmware file (package file) from the Onkyo FTP-server. However European service partners should download the firmware file (package file) from the ExtraNet.

Onkyo FTP-server: <ftp://manex.onkyo.co.jp/>

ID and Password are those we informed when changed.

Filename is as follows: AVR001*****.zip

Unzip the downloaded file. A following file is created.

AVR001*****.of1

AVR001*****.of2

AVR001*****.of3

AVR001*****.of4

AVR001*****.of5

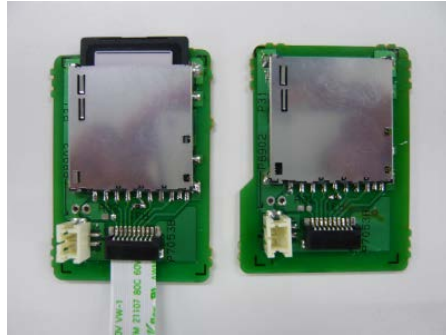
3. Copy it to the MMC storage device. Be careful not to copy the zip file.
4. Remove the MMC storage device from your PC. And insert MMC card to MMC card JIG(Part No: 0J34).



How to Update (service mode) 1/2

Overwriting is also possible.

1. Connect the MMC card JIG(Part No: 0J34) with MMC card that is already all firmware in it to JIG port on the unit.



MMC card JIG
(Part No: 0J34)

2. Turn on the unit. It takes some time to start after you switch on the unit.
Press: [TONE +] + [ON/STANDBY] x 2
3. Press [RETURN] button, Then it is displayed as below



If you need each module of the firmware update, you can select the module by pressing PRESET < and > button.

- MMC -> ALL: ALL firmware update (default)
- MMC -> DSP: DSP firmware update
- MMC -> OSD: OSD firmware update
- MMC -> VMPU: Video MPU firmware update
- MMC -> MMPU: Main MPU firmware update
- MMC -> WORK: Compare between AVR and MMC, Only update new version firmware



The default setting is " ALL"

CAUTION: When you will update each module firmware, you have to keep combination of firmware.

4. Press [ENTER] button. Start update firmware.



How to Update (service mode) 2/2

Firmware

5. Wait until update is completed. When the update ends, "Completed!" is displayed. When "Completed!" message appeared, you can power off by pressing "ON/STANDBY" button. (If you leave it, it automatically turns standby mode.)



6. Press [ON/STANDBY] button, and the unit turns on.
7. Check the new FW version number.

<Note>

If the procedure might not be successful, please select "MMC -> ALL".

No Sound

■ No sound from connected player

- Chose input selector which is assigned to connected input terminal ?
- Isn't muting on ?

■ No sound from connected TV

- Chose wrong input selector ?
- Connect to this model's HDMI OUT terminal from TV by HDMI cable ?
- When TV supports ARC function, connect to his model's HDMI OUT terminal from TV's HDMI input terminal for ARC function ?
- When TV doesn't support ARC function, connect TV to this model with optical cable etc. ?
- Isn't muting on ?

■ No sound from some connected loudspeaker(s)

- No sound loudspeaker(s) config is enabled ?

■ No sound from all connected TV or Blu-ray player etc.

- After chose loudspeaker volume level setting, test tone is OK ?

■ No problem about above items

- Unplug power cord
After 10 seconds, connect power cord again
- Reset this model

No Picture

Hookup and Setting

■ In general

- Connection cable is bent , twisted or damaged ?
- Input is switched on TV ?

■ No picture from connected player by HDMI input terminal

- Chose input selector which is connected to player ?
- Listening mode is not Pure Audio ?
- Don't use HDMI-DVI adaptor. From personal computer ?

■ No picture from connected player by component video terminal

- Output to TV connected to component video out terminal from player's picture connected to the composite video input terminals ?

■ No problem about above items

- Unplug power cord
After 10 seconds, connect power cord again
- Reset this model

No Power

Hookup and Setting

■ In general

Doesn't be connection cable bent, be it twisted and be it damaged?

■ There is time when indication on the front panel doesn't just light up.

Please check the connecting cord of a DISPLAY PCB.

■ No problem about above items

Unplug power cord

After 10 seconds, connect power cord again

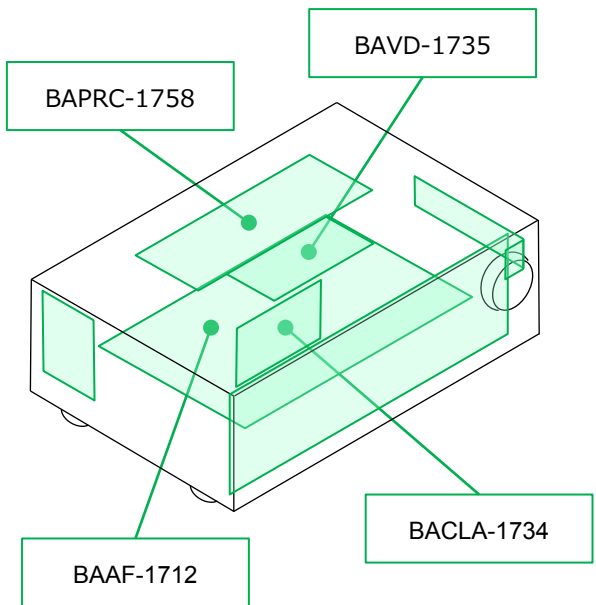
Reset this model

No Sound (HDMI in)

Trouble Shoot

Here the trouble shoot which focuses on the hardware troubles regarding PCB assembly is explained.
Of course, with actual repair there are also troubles due to damaged Power Transformer, Wiring, soldering etc. in addition to PCB assembly.

| Process | Check Point | | Damaged PCB |
|---------|---|---------------|-------------|
| 1 | P2801B (BAPRC-1758) ● No.2 pin : +15V | No Good OK | BAVD-1735 |
| 2 | P2800B (BAPRC-1758) ● No.7 pin : +3.3V | No Good OK | BAPRC-1758 |
| 3 | R6690 (BAAF-1712) ● : +21.5V | No Good OK | BAAF-1712 |
| 4 | J4036, J4000 (BAAF-1712) ● J4000 : +15V ● J4036 : -15V | No Good OK | BAAF-1712 |
| 5 | P8002A (BAPRC-1758) ● No.11 pin : +3.2V | No Good OK | BAAF-1712 |
| 6 | P8002A (BAPRC-1758) ● No.2 pin : Check signal ● No.4 pin : Check signal | No Good OK | BAPRC-1758 |
| 7 | J4051 (BAAF-1712) ● : Check signal | No Good OK | BAAF-1712 |
| 8 | Q6050, Q6060 (BAAF-1712) Check signal ● Q6050(base) : Check signal ● Q6060(base) : Check signal | No Good OK | BACLA-1734 |
| 9 | | | BAAF-1712 |



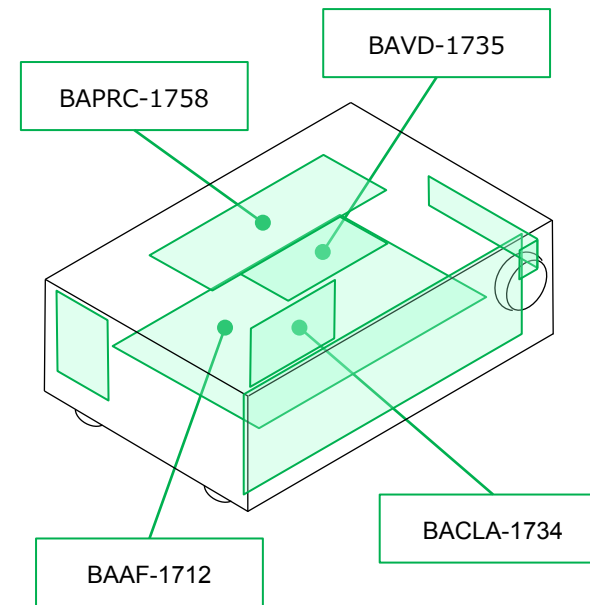
● Each voltage is shown as the reference value.
Value error : Plus or minus 15%
TX-SR343/444/HT-R494

No Sound (Opt in)

Trouble Shoot

Here the trouble shoot which focuses on the hardware troubles regarding PCB assembly is explained.
Of course, with actual repair there are also troubles due to damaged Power Transformer, Wiring, soldering etc. in addition to PCB assembly.

| Process | Check Point | | Damaged PCB |
|---------|---|---------------|-------------|
| 1 | P2801B (BAPRC-1758) ● No.2 pin : +15V | No Good OK | BAVD-1735 |
| 2 | P2800B (BAPRC-1758) ● No.7 pin : +3.3V | No Good OK | BAPRC-1758 |
| 3 | R6690 (BAAF-1712) ● : +21.5V | No Good OK | BAAF-1712 |
| 4 | J4036, J4000 (BAAF-1712) ● J4000 : +15V ● J4036 : -15V | No Good OK | BAAF-1712 |
| 5 | P8002A (BAPRC-1758) ● No.11 pin : +3.2V | No Good OK | BAAF-1712 |
| 6 | P2800B (BAPRC-1758) ● No.1 pin : signal | No Good OK | BAPRC-1758 |
| 7 | P8002A (BAPRC-1758) ● No.2 pin : signal ● No.4 pin : signal | No Good OK | BAPRC-1758 |
| 8 | J4051 (BAAF-1712) ● : signal | No Good OK | BAAF-1712 |
| 9 | Q6050, Q6060 (BAAF-1712) ● Q6050(base) : signal ● Q6060(base) : signal | No Good OK | BACLA-1734 |
| 10 | | | BAAF-1712 |



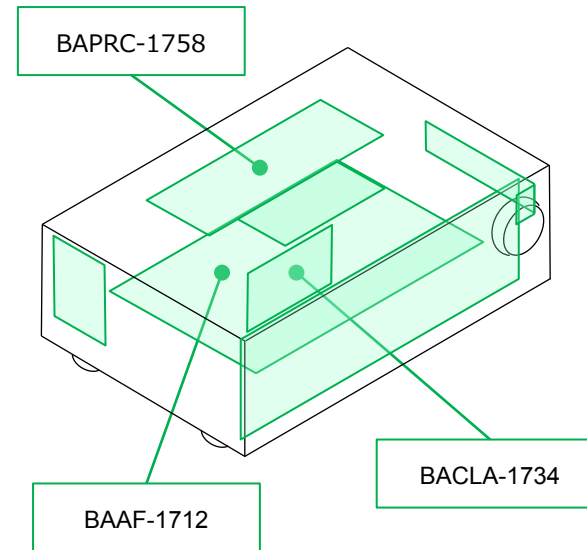
● Each voltage is shown as the reference value.
Value error : Plus or minus 15%

No Sound (Analog in)

Trouble Shoot

Here the trouble shoot which focuses on the hardware troubles regarding PCB assembly is explained.
Of course, with actual repair there are also troubles due to damaged Power Transformer, Wiring, soldering etc. in addition to PCB assembly.

| Process | Check Point | | Damaged PCB |
|---------|---|-------------------|-------------|
| 1 | R6690 (BAAF-1712) ● : +21.5V | No Good → OK ↓ | BAAF-1712 |
| 2 | J4036, J4000 (BAAF-1712) ● J4000 : +15V ● J4036 : -15V | No Good → OK ↓ | BAAF-1712 |
| 3 | P8002A (BAPRC-1758) ● No.11 pin : +3.2V | No Good → OK ↓ | BAAF-1712 |
| 4 | J4051 (BAAF-1712) ● : signal | No Good → OK ↓ | BAAF-1712 |
| 5 | Q6050, Q6060 (BAAF-1712) ● Q6050(base) : signal ● Q6060(base) : signal | No Good → OK ↓ | BACLA-1734 |
| 6 | | → | BAAF-1712 |



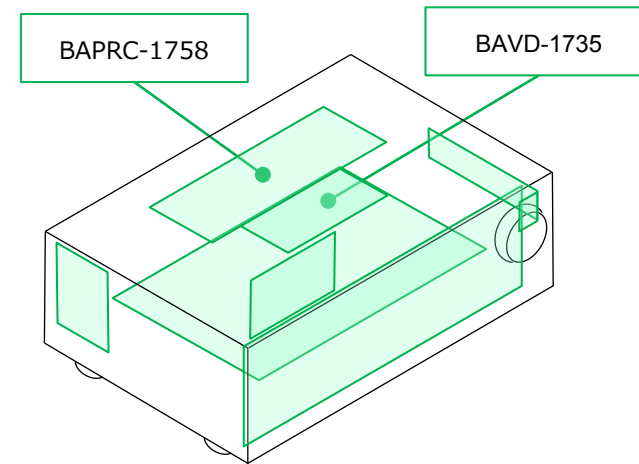
● Each voltage is shown as the reference value.
Value error : Plus or minus 15%

No Picture (HDMI in/ out)

Trouble Shoot

Here the trouble shoot which focuses on the hardware troubles regarding PCB assembly is explained.
Of course, with actual repair there are also troubles due to damaged Power Transformer, Wiring, soldering etc. in addition to PCB assembly.

| Process | Check Point | Damaged PCB |
|---------|---|-------------|
| 1 | P2801B (BAPRC-1758) ● No.2 pin : +15V | BAVD-1735 |
| 2 | | BAPRC-1758 |



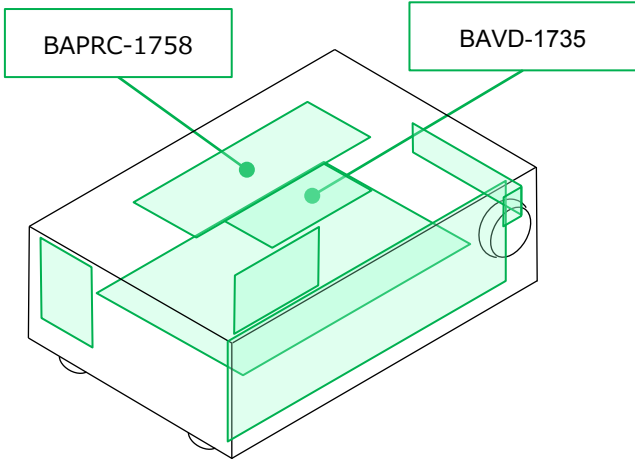
● Each voltage is shown as the reference value.
Value error : Plus or minus 15%

No Picture (Component in/ HDMI out)

Trouble Shoot

Here the trouble shoot which focuses on the hardware troubles regarding PCB assembly is explained.
 Of course, with actual repair there are also troubles due to damaged Power Transformer, Wiring, soldering etc. in addition to PCB assembly.

| Process | Check Point | Damaged PCB |
|---------|--|------------------------------|
| 1 | P2801B (BAPRC-1758) ● No.2 pin : +15V | No Good → BAVD-1735 OK ↓ |
| 2 | P2800B (BAPRC-1758) ● No.11 pin : +5V | No Good → BAPRC-1758 OK ↓ |
| 3 | P2800B (BAPRC-1758) ● No.13 pin : signal ● No.15 pin : signal ● No.17 pin : signal | No Good → BAVD-1735 OK ↓ |
| 4 | | OK → BAPRC-1758 |



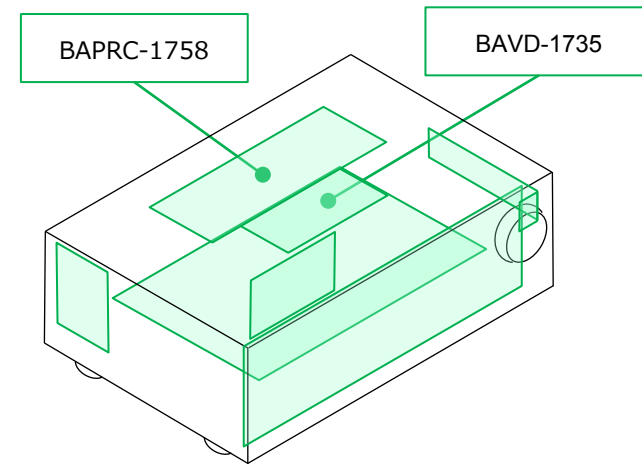
● Each voltage is shown as the reference value.
 Value error : Plus or minus 15%

No Picture (Component in/ HDMI out)

Trouble Shoot

Here the trouble shoot which focuses on the hardware troubles regarding PCB assembly is explained.
 Of course, with actual repair there are also troubles due to damaged Power Transformer, Wiring, soldering etc. in addition to PCB assembly.

| Process | Check Point | Damaged PCB |
|---------|--|------------------------------|
| 1 | P2801B (BAPRC-1758) ● No.2 pin : +15V | No Good → BAVD-1735 OK ↓ |
| 2 | P2800B (BAPRC-1758) ● No.11 pin : +5V | No Good → BAPRC-1758 OK ↓ |
| 3 | P2800B (BAPRC-1758) ● No.17 pin : signal | No Good → BAVD-1735 OK ↓ |
| 4 | | OK → BAPRC-1758 |



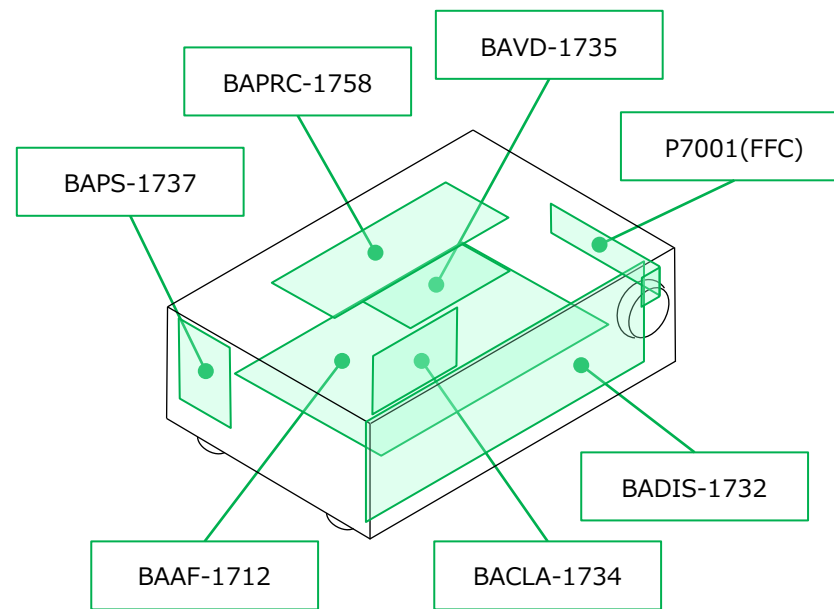
● Each voltage is shown as the reference value.
 Value error : Plus or minus 15%

No Power

Trouble Shoot

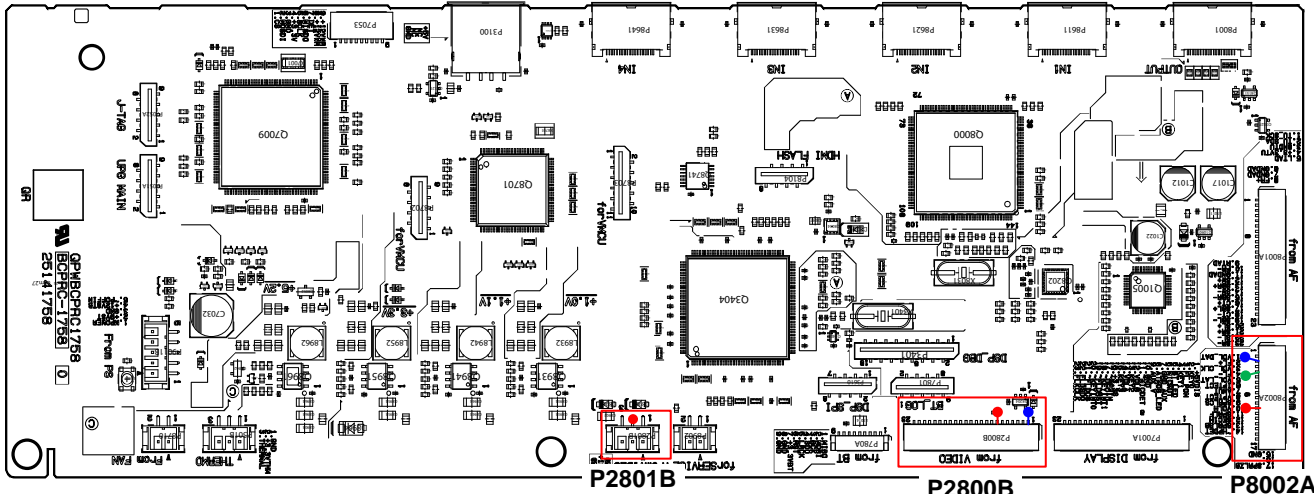
Here the trouble shoot which focuses on the hardware troubles regarding PCB assembly is explained.
Of course, with actual repair there are also troubles due to damaged Power Transformer, Wiring, soldering etc. in addition to PCB assembly.

| Process | Check Point | | Damaged PCB |
|---------|--|---------------|--------------------------------|
| 1 | F9001,F6401,F6402 (BAPS-1737/ BAAF-1712) | No Good OK | BAAF-1712 and BACLA-1734 |
| 2 | ANY PARTS (BAAF-1712/ BACLA-1734) | No Good OK | BAAF-1712 and BACLA-1734 |
| 3 | P7001A (BAPRC-1758) | No Good OK | P7001(FFC) |
| 4 | P9011B (BAPRC-1758) ● No.4 pin : +14V | No Good OK | BAPS-1737 |
| 5 | P9011B (BAPRC-1758) ● No.5 pin : +8.7V | No Good OK | BAPS-1737 |
| 6 | P9011B (BAPRC-1758) ● No.2 pin : +14V | No Good OK | BAPS-1737 |
| 7 | P9011B (BAPRC-1758) ● No.1 pin : +2.5V | No Good OK | BAPRC-1758 |
| 8 | RL9001 (BAPS-1737) | No Good OK | BAPS-1737 |
| 9 | P9002 (BAPS-1737) ● AC100 – 240V | No Good OK | BAVD-1735 |
| 10 | P7001B (BADIS-1732) | No Good OK | P7001(FFC) |
| 11 | | | BADIS-1732 |



1. When being not turned on with remote control unit only, BADIS-1732 is abnormal.
2. When being not turned on with button on the main unit only, BADIS-1732 is abnormal.

● Each voltage is shown as the reference value.
Value error : Plus or minus 15%

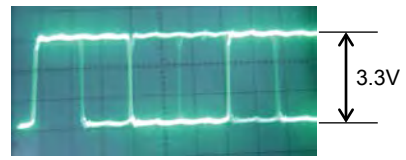


↓
Front

P2801B
Check voltage
● No.2 pin : +15V

P2800B
Check voltage
● No.7 pin : +3.3V

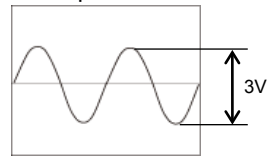
P2800B
Check signal
● No.1 pin :



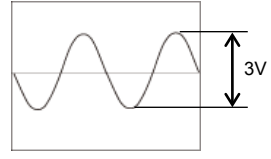
Input terminal : HDMI IN or OPT IN
Input signal : Test disc 1kHz 0dB
Audio format : LPCM, Dolby Digital(Otherwise, CD)

P8002A
Check voltage
● No.11 pin : +3.2V

P8002A
Check signal
● No.2 pin :



● No.4 pin :

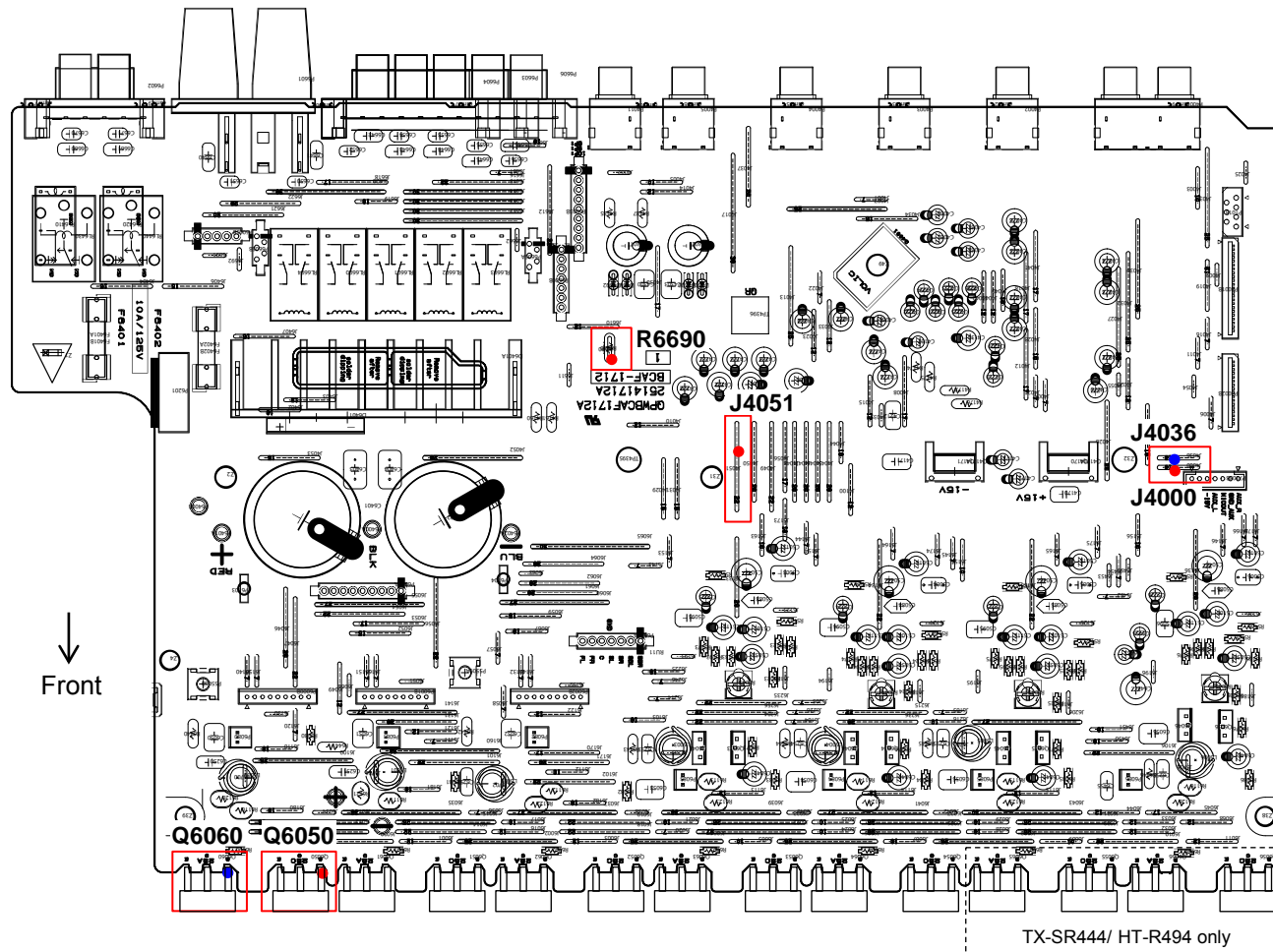


Input terminal : HDMI IN or OPT IN
Input signal : Test disc 1kHz 0dB
Audio format : LPCM, Dolby Digital(Otherwise, CD)

● Each voltage is shown as the reference value.
Value error : Plus or minus 15%

Check Point (BAAF-1712)

Trouble Shoot



R6690

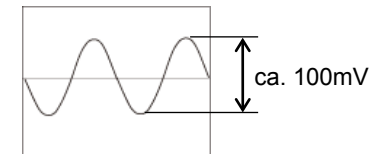
Check voltage
 ● : +21.5V

J4036, J4000

Check voltage
 ● J4000 : +15V
 ● J4036 : -15V

J4051

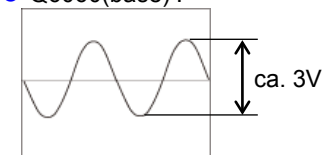
Check signal
 ● :



Input terminal : HDMI IN or OPT IN or ANALOG IN
 Input signal(HDMI/OPT IN) : Test disc 1kHz 0dB
 Audio format : LPCM, Dolby Digital(Otherwise, CD)
 Input signal(ANALOG IN) : 1kHz 2Vrms
 Master volume : 46

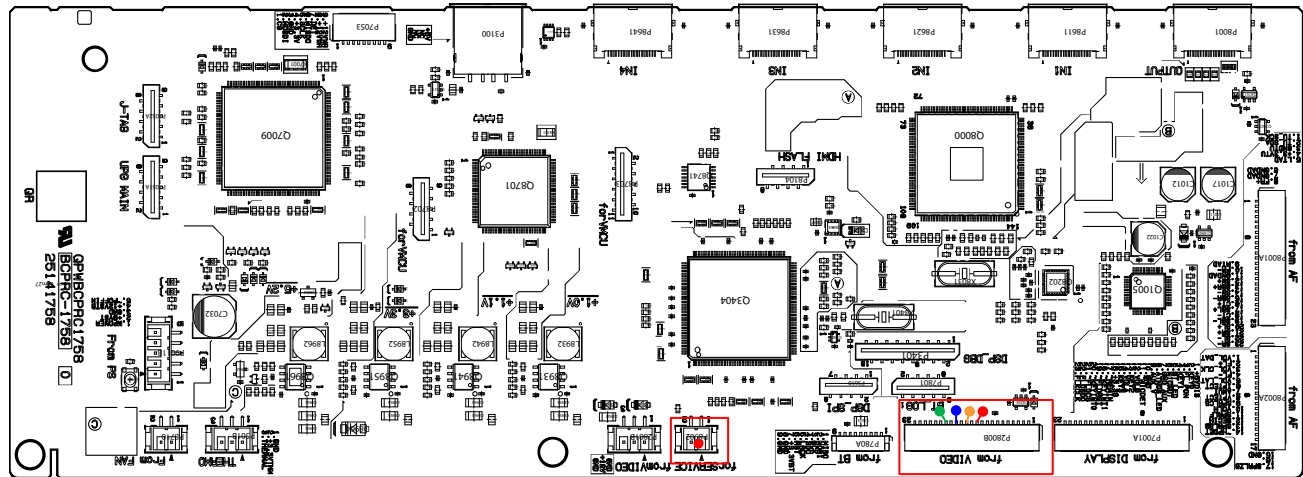
Q6050, Q6060

Check signal
 ● Q6050(base) :
 ● Q6060(base) :



Input terminal : HDMI IN or OPT IN or ANALOG IN
 Input signal(HDMI/OPT IN) : Test disc 1kHz 0dB
 Audio format : LPCM, Dolby Digital(Otherwise, CD)
 Input signal(ANALOG IN) : 1kHz 2Vrms
 Master volume : 46

● Each voltage is shown as the reference value.
 Value error : Plus or minus 15%



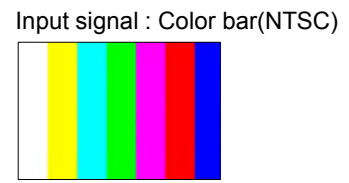
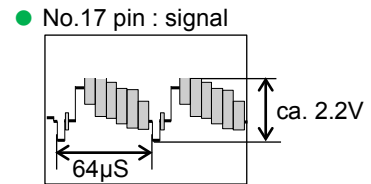
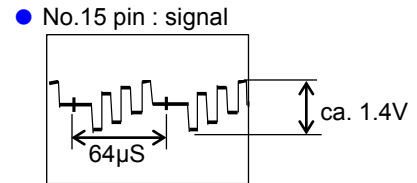
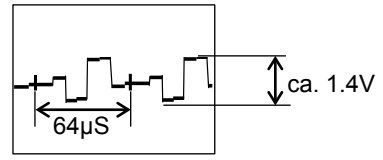
P2801B P2800B

↓
Front

P2801B
Check voltage
● No.2 pin : +15V

P2800B
Check voltage
● No.11 pin : +5V

P2800B
Check signal
● No.13 pin : signal

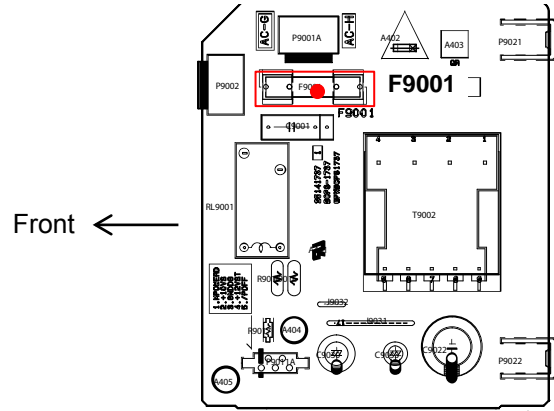


● Each voltage is shown as the reference value.
Value error : Plus or minus 15%

Check Point (BAPS-1737/ BAAF-1712)

Trouble Shoot

BAPS-1737

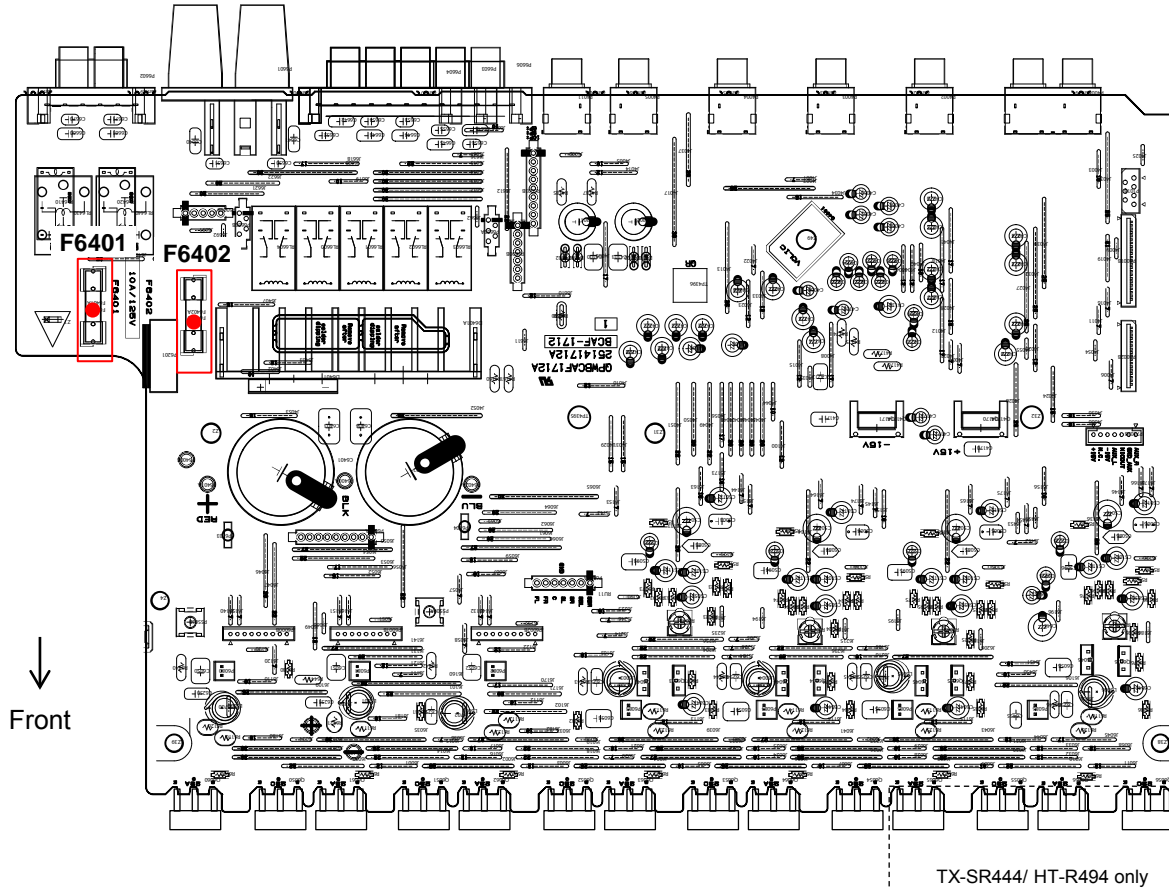


F9001
Check damage
● Normal (OK) or blown (No good)

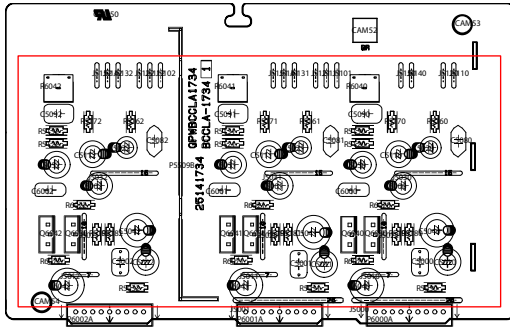
F6401
Check damage
● Normal (OK) or blown (No good)

F6402
Check damage
● Normal (OK) or blown (No good)

BAAF-1712



BACLA-1734



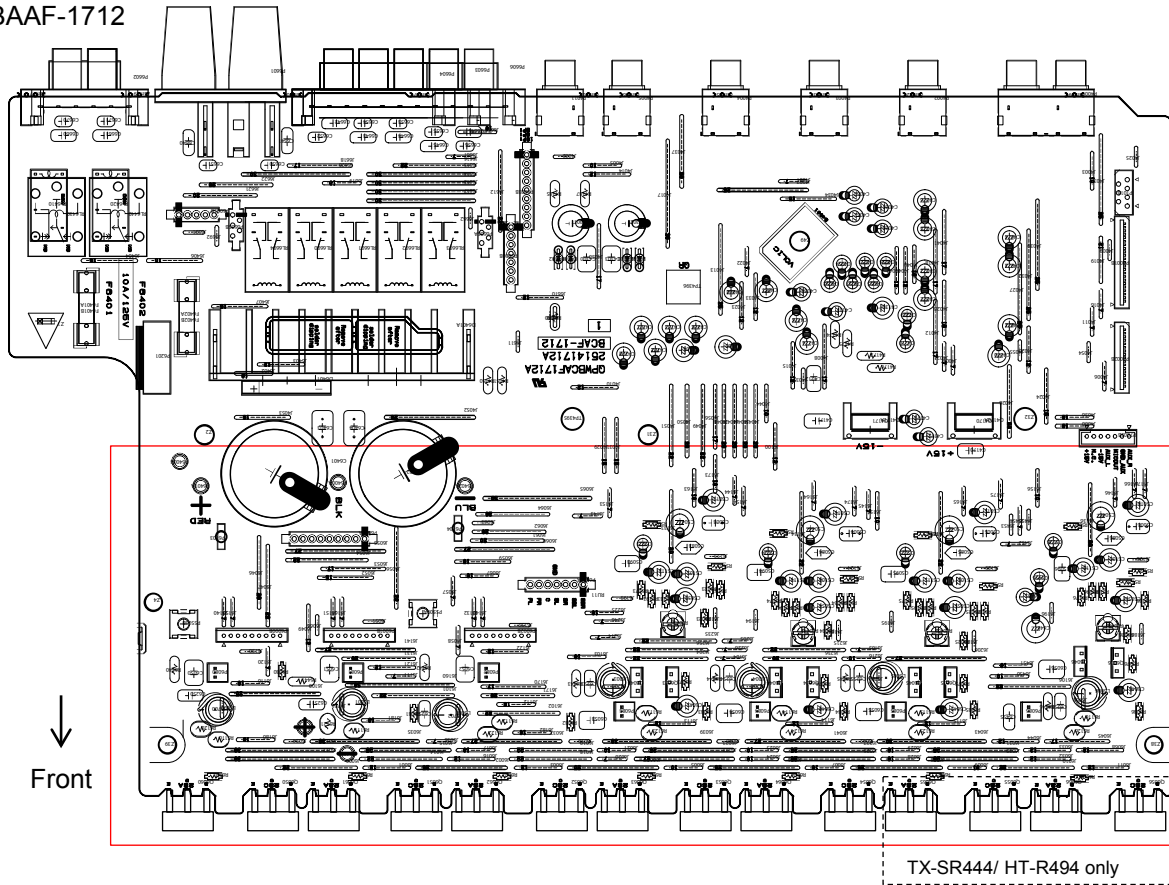
ANY PARTS
 Check damage

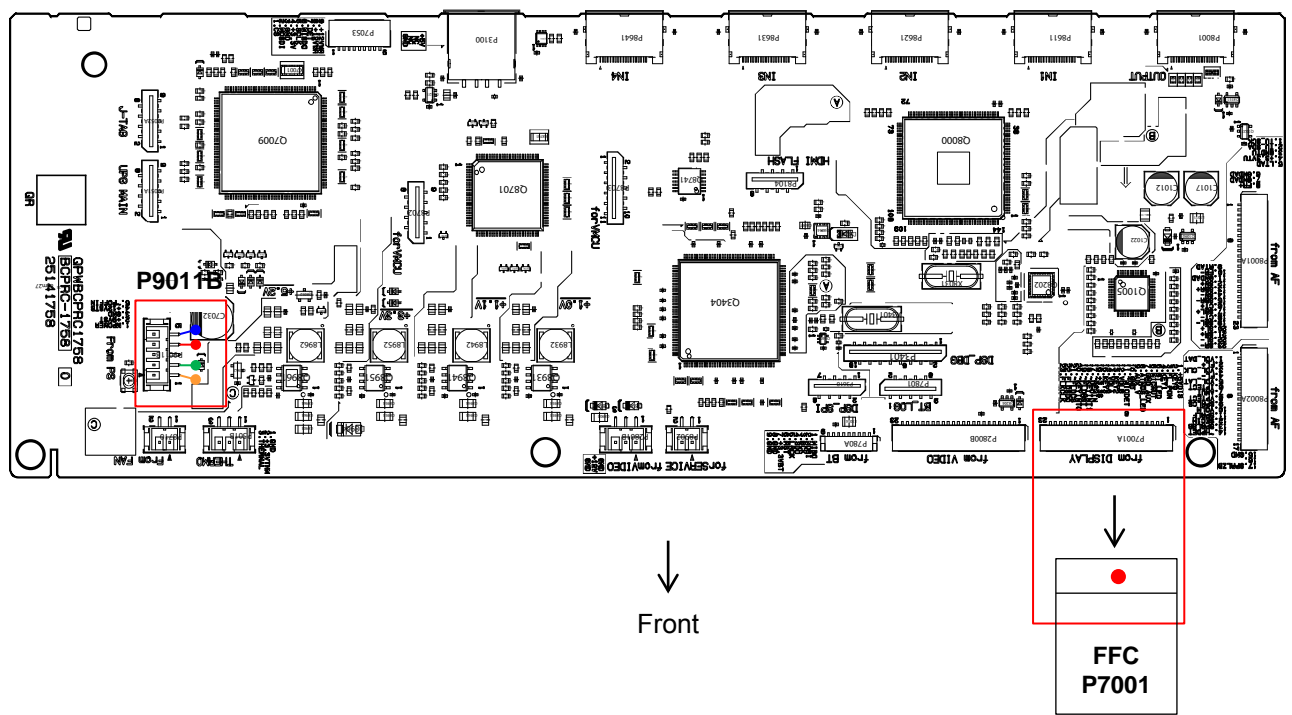
Normal(OK) or Damage (No good)

Check the damage in the red framework part as shown with visual inspection.

e.g. Broken, Burnout, Discoloration, etc.

BAAF-1712





P7001
● Check damage and connection
How to check
1.Disconnect the FFC from the socket.
2.Check the contacts of the FFC.

P9011B
Check voltage
● No.4 pin : +14V

P9011B
Check voltage
● No.5 pin : +8.7V

P9011B
Check signal
● No.2 pin : +14V

P9011B
Check signal
● No.1 pin : +2.5V

● Each voltage is shown as the reference value.
Value error : Plus or minus 15%

Check Point (BAPS-1737)

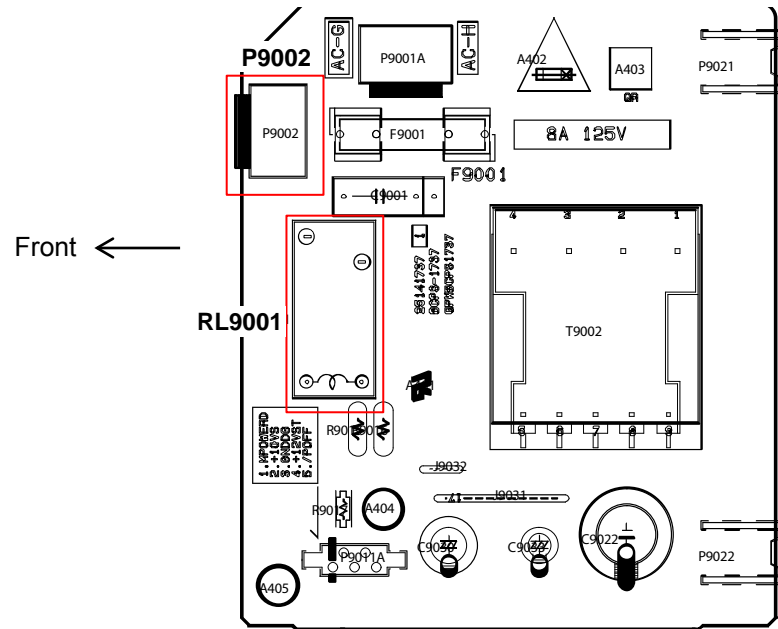
Trouble Shoot

RL9001

Check operation of a relay by sound.
No sound at all ----> No good

P9002

Check voltage
H - L : AC100 - 240V (Power supply voltage)

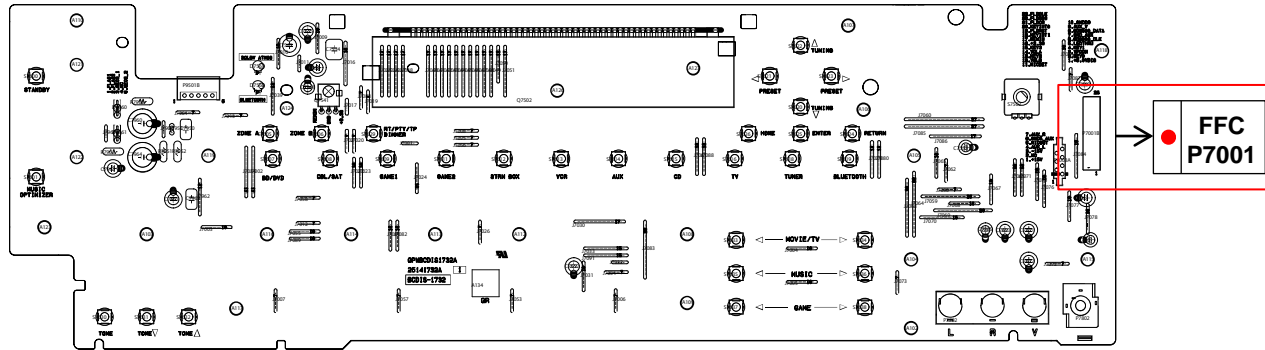


P7001

- Check damage and connection

How to check

1. Disconnect the FFC from the socket.
2. Check the contacts of the FFC.



Summary

This model can be disassembled in the order shown below.

Disassembly

TOP COVER

FRONT PANEL
Refer to 「Front Panel Section」

PCB
BADIS-1732
BAETC-1715
BARF-1764

Tuner & Power Supply
Refer to 「Tuner & Power Supply Section」

PCB
BARF-1738
BAPS-1737

PROCESSOR PCB
Refer to 「Processor Section」

PCB
BAPRC-1758

VIDEO PCB
Refer to 「Video Section」

PCB
BAVD-1735

AMP. PCB
Refer to 「Amplifier Section」

PCB
BACLA-1734
BAAF-1712

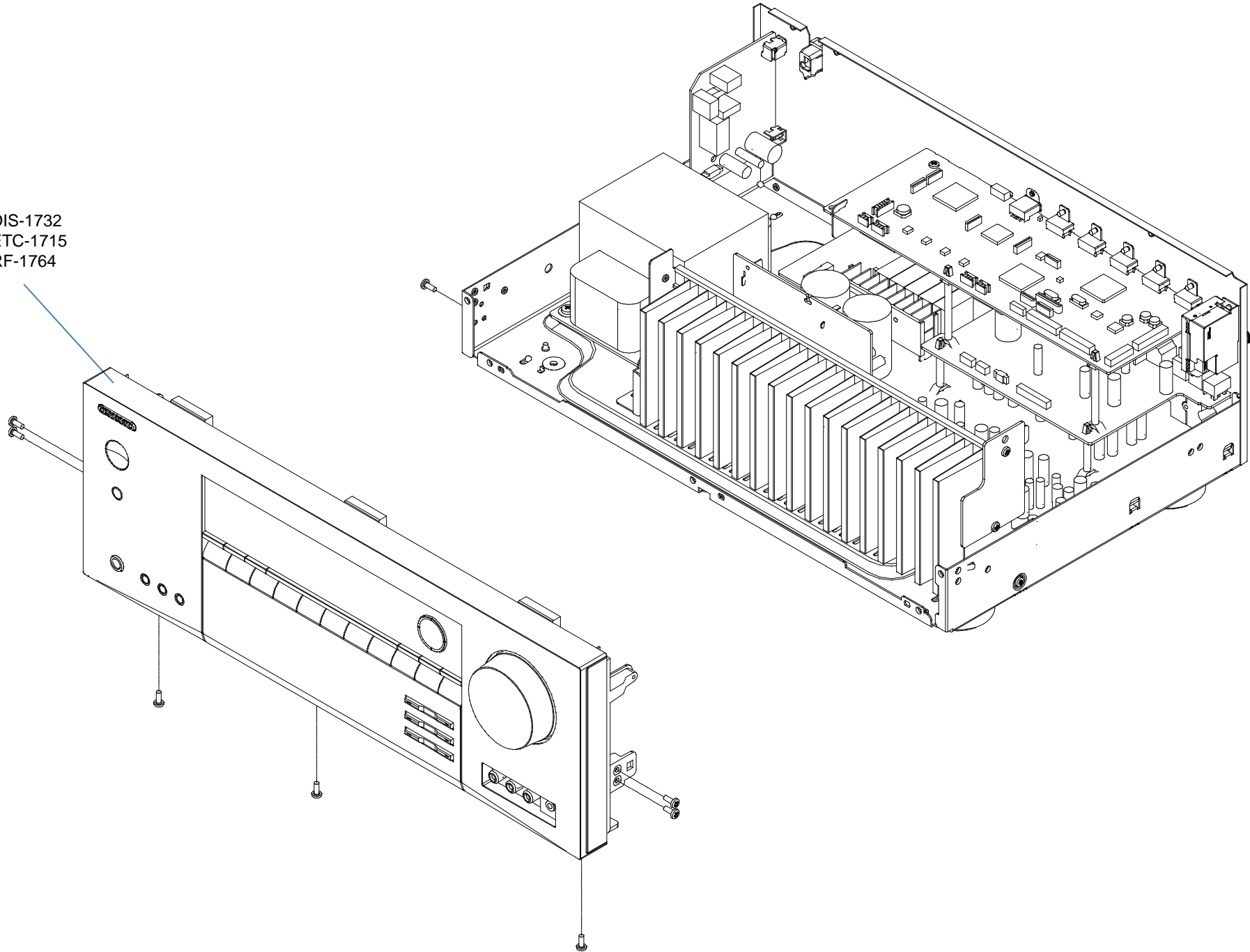
Power Transistor
Q6050 ~ Q6054
Q6060 ~ Q6064

Front Panel Section

This is TX-SR343. TX-SR444 / HT-R494 are same mostly structurally. Please refer to PANEL pages for detailed place by the terminal.

Disassembly

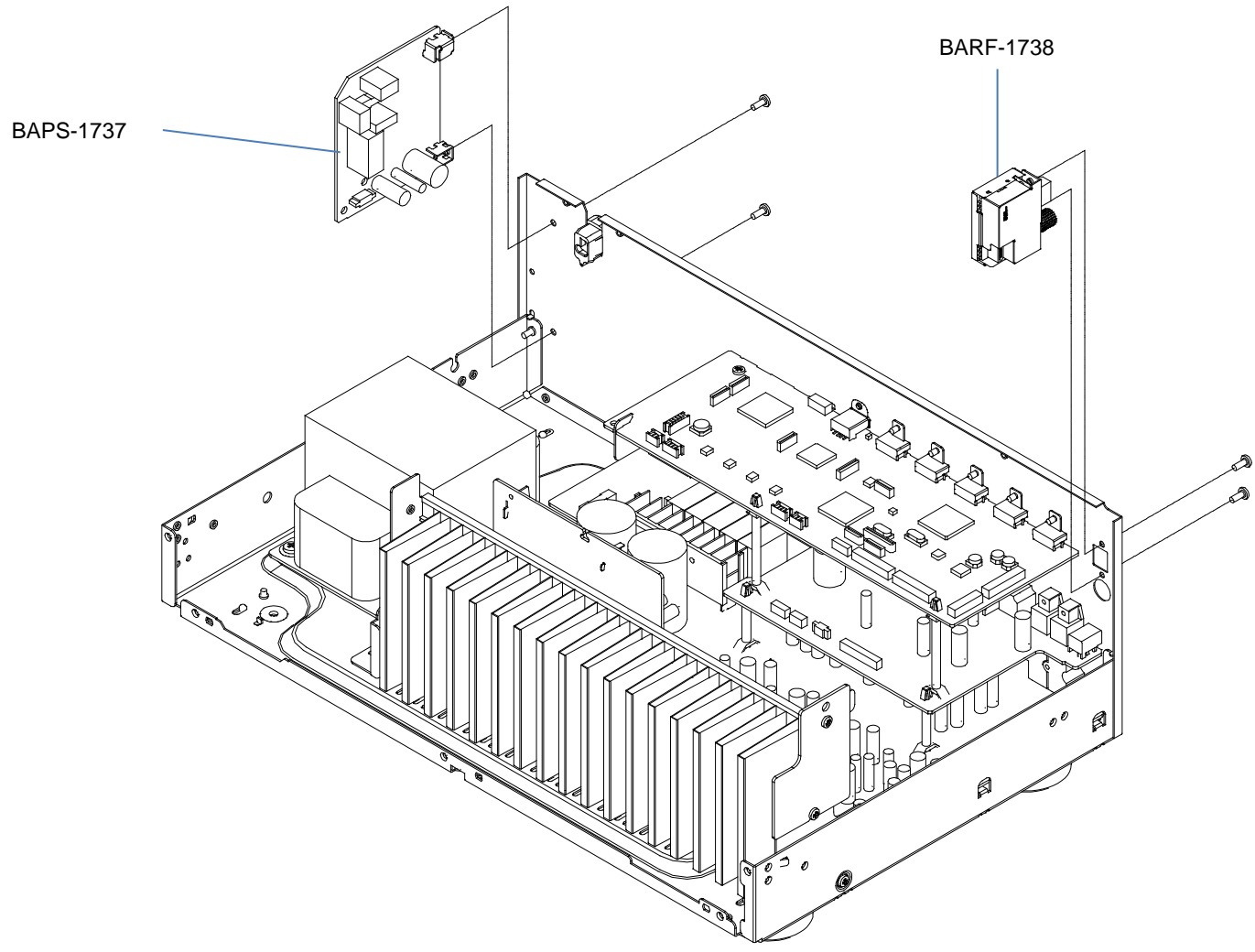
BADIS-1732
BAETC-1715
BARF-1764



Tuner & Power Supply Section

This is TX-SR343. TX-SR444 / HT-R494 are same mostly structurally. Please refer to PANEL pages for detailed place by the terminal.

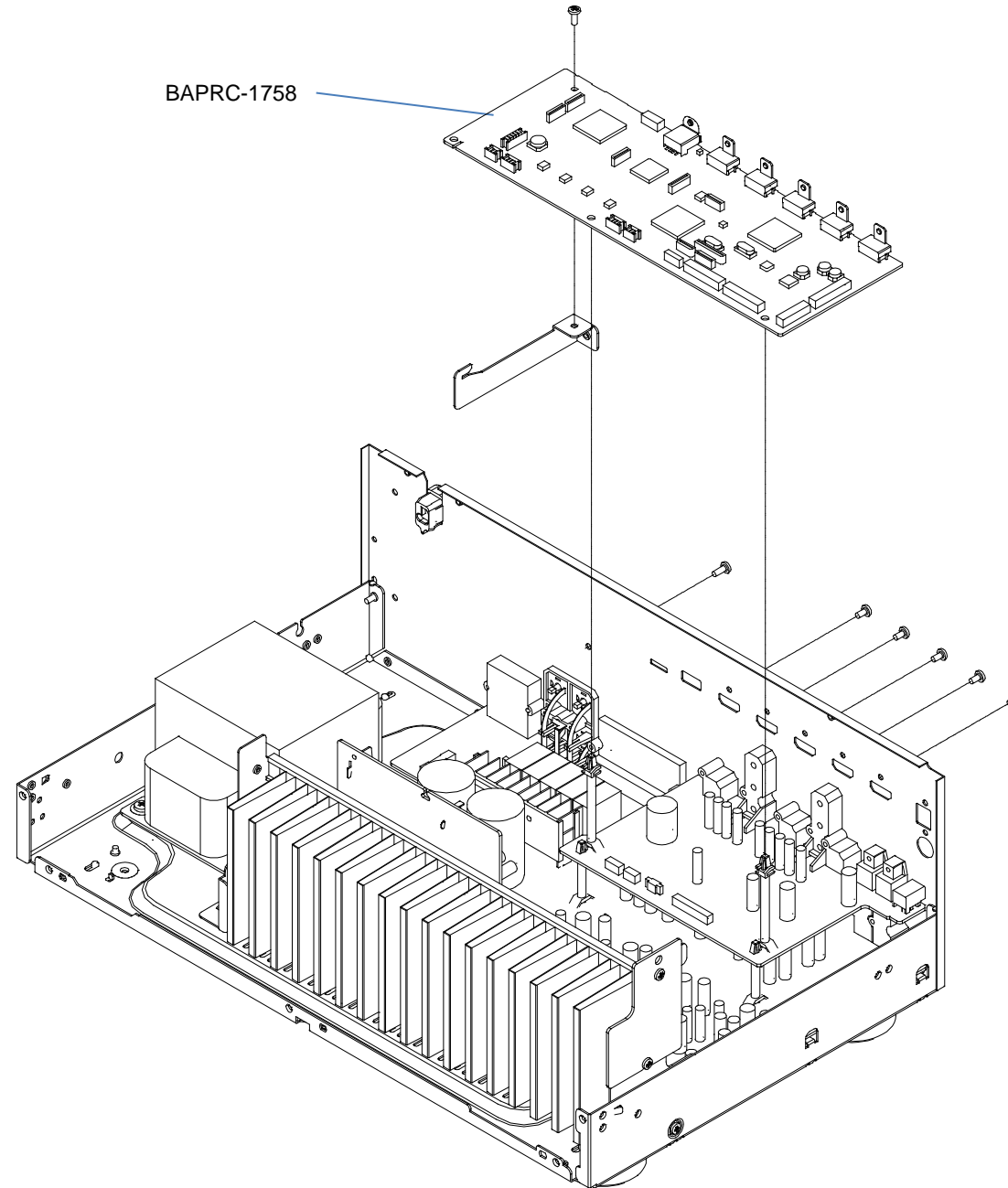
Disassembly



Processor Section

This is TX-SR343. TX-SR444 / HT-R494 are same mostly structurally. Please refer to PANEL pages for detailed place by the terminal.

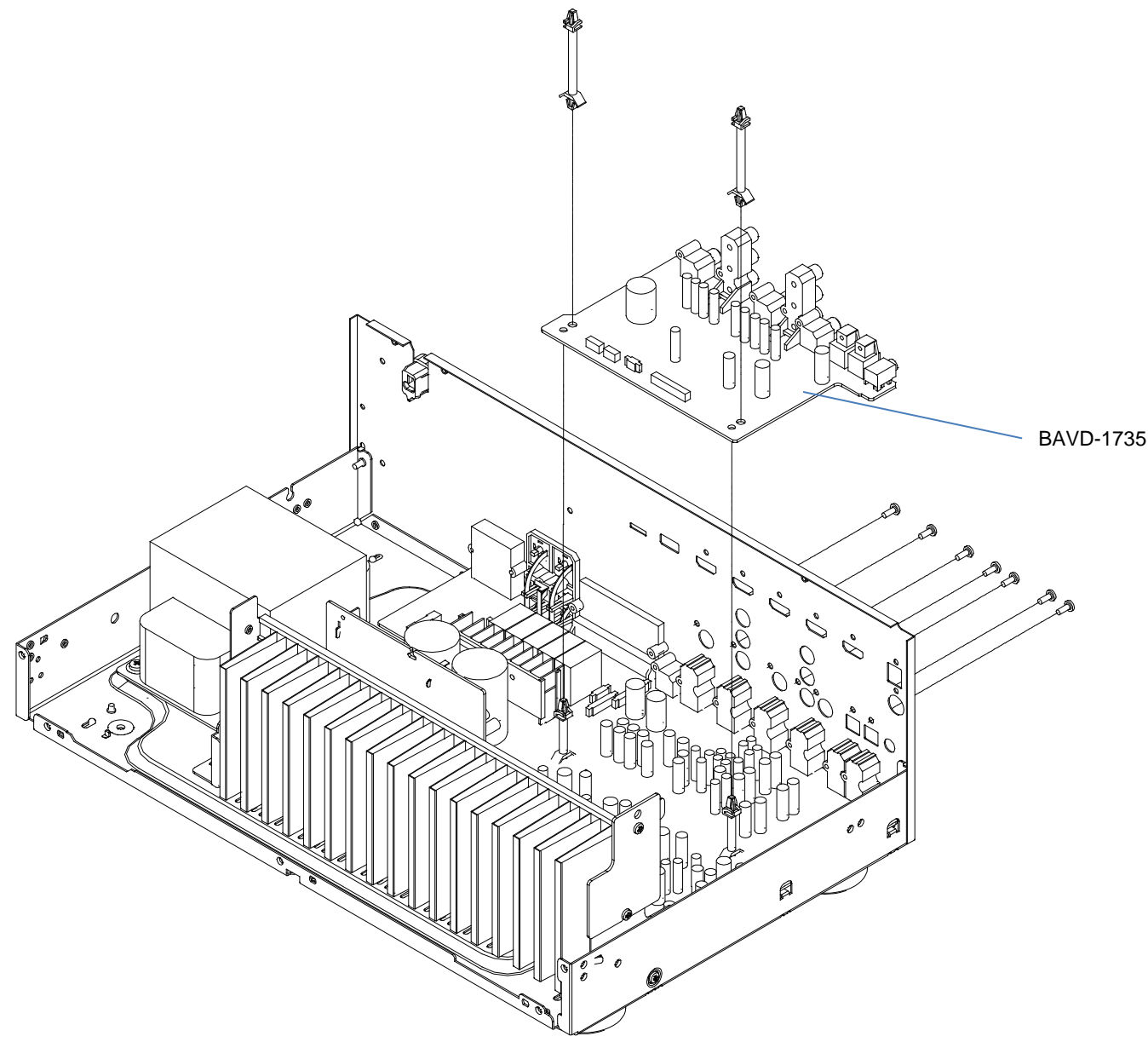
Disassembly



Video Section

This is TX-SR343. TX-SR444 / HT-R494 are same mostly structurally. Please refer to PANEL pages for detailed place by the terminal.

Disassembly

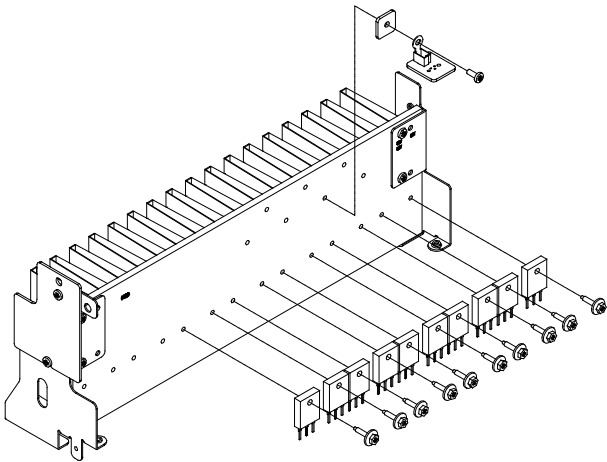
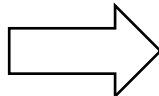
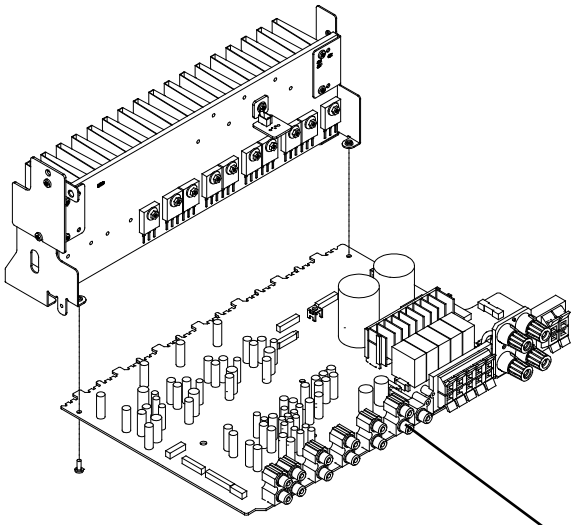
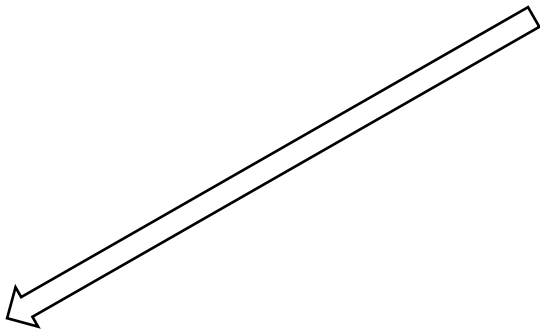
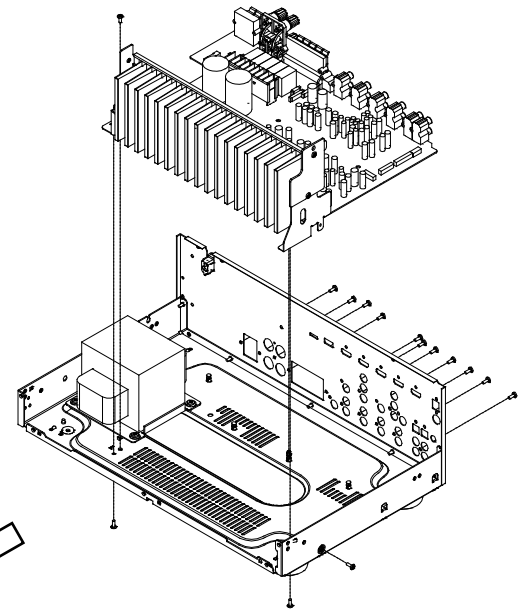
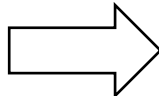
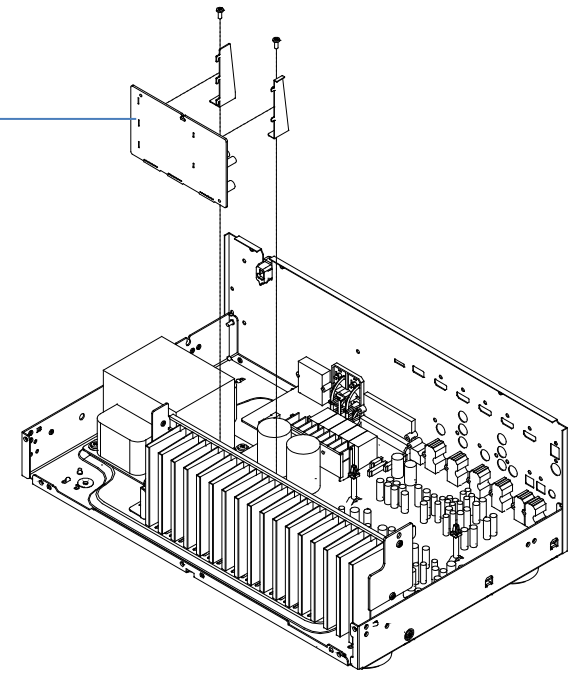


Amplifier Section

This is TX-SR343. TX-SR444 / HT-R494 are same mostly structurally. Please refer to PANEL pages for detailed place by the terminal.

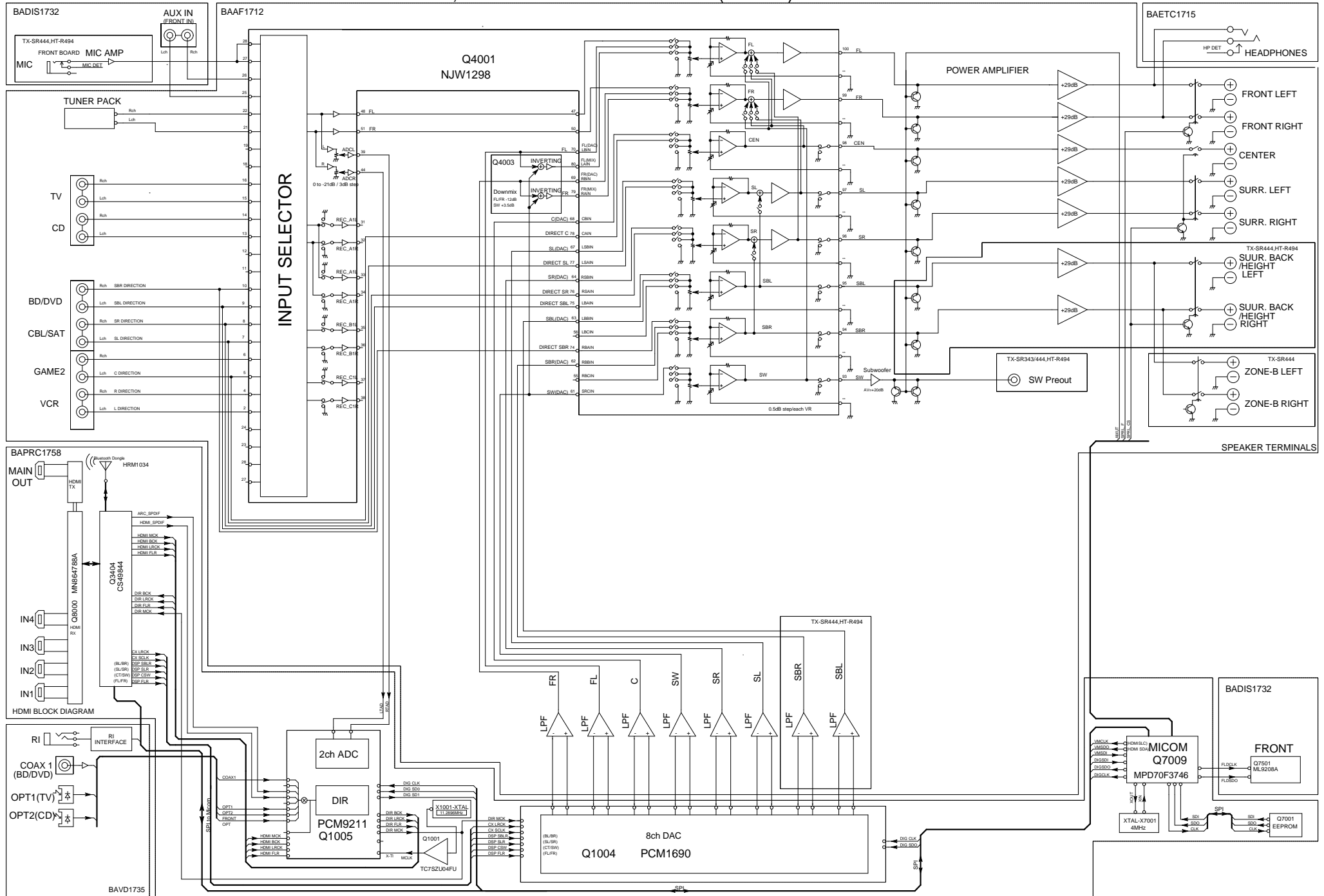
Disassembly

BACLA-1734



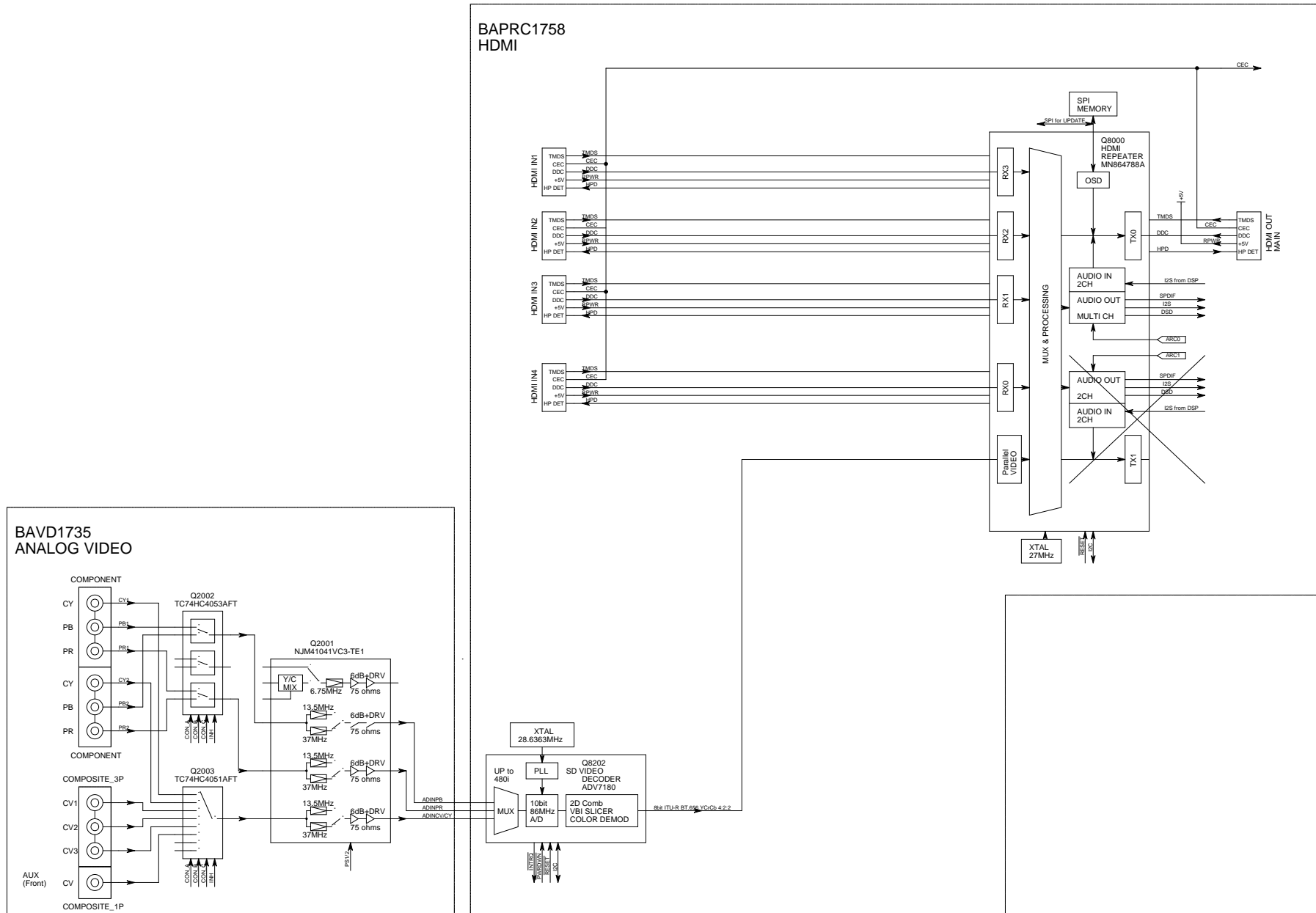
BAAF-1712

MODEL NO. TX-SR343/444,HT-R494 BLOCK DIAGRAM (PART-1) AUDIO SECTION



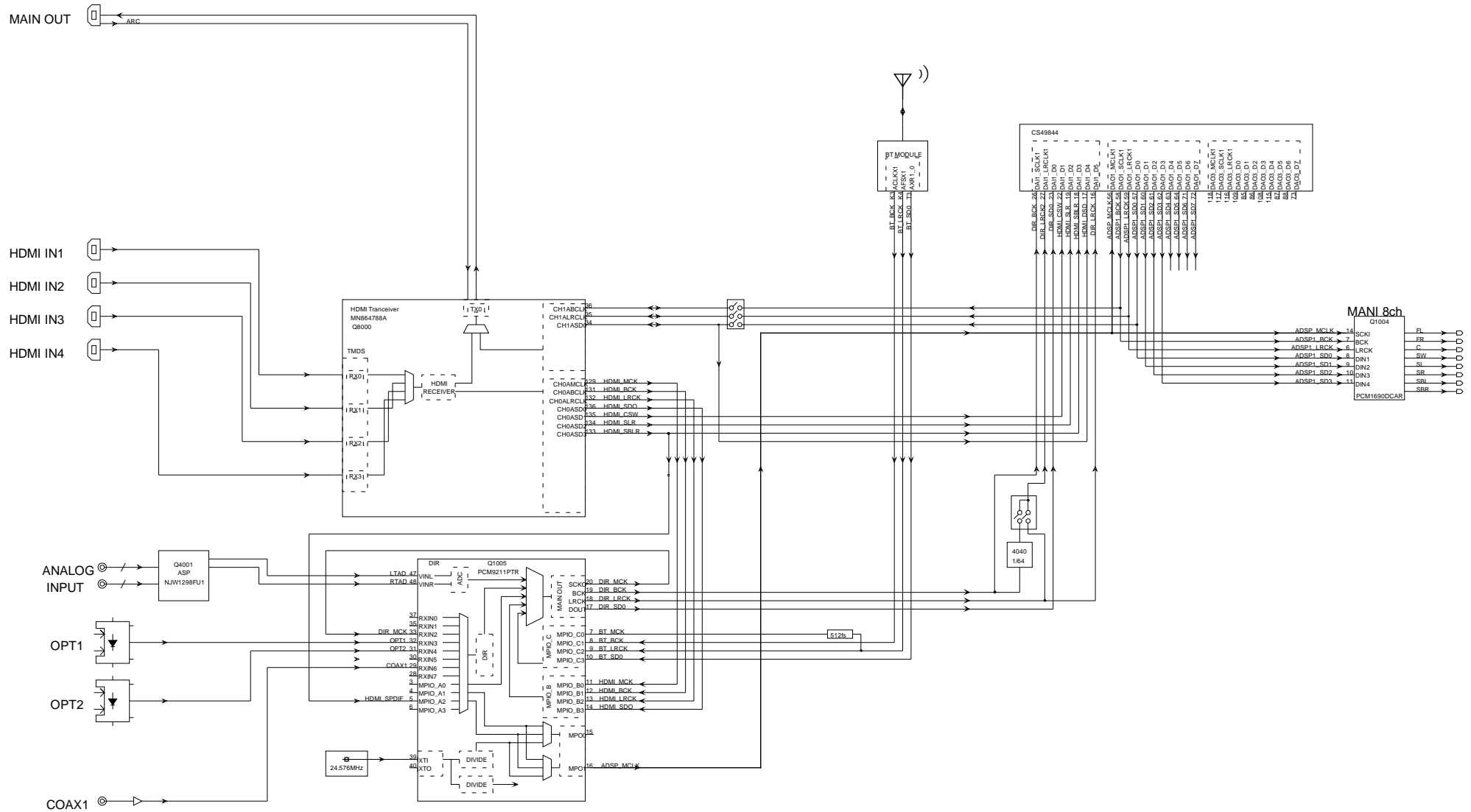
Model No.TX-SR343/444,HT-R494

SCHEMATIC DIAGRAM (PART-2) BLOCK DIAGRAM(VIDEO)



MODEL NO.TX-SR343/444,HT-R494

SCHEMATIC DIAGRAM (PART3) BLOCK DIAGRAM (Digital Audio)



D

D

C

C

B

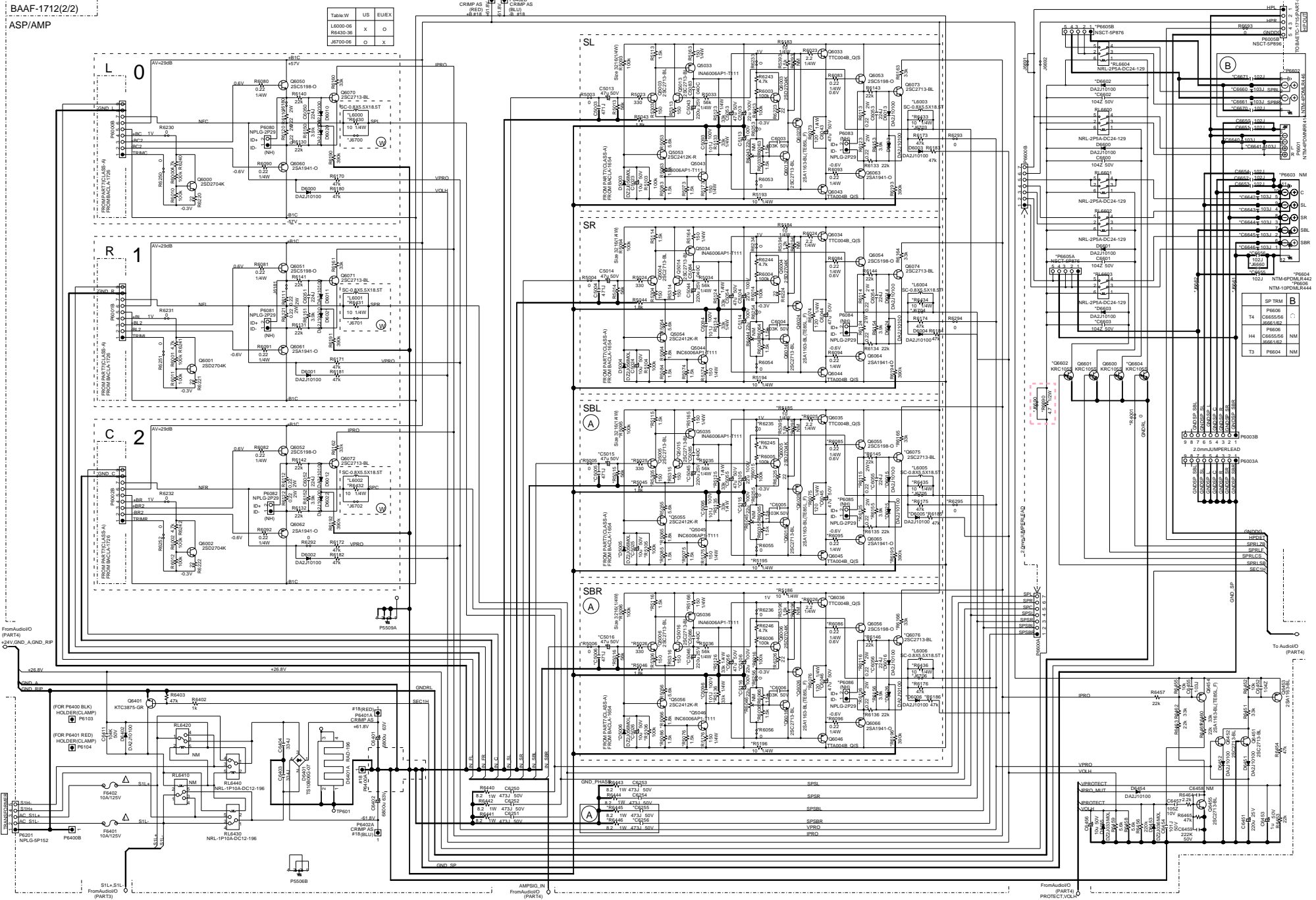
B

A

A

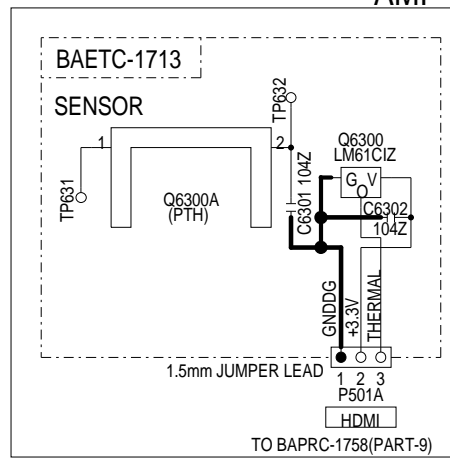
MODEL NO. TX-SR343/444/HT-R494

SCHEMATIC DIAGRAM(PART-4) AMP SECTION



MODEL NO. TX-SR343/444,HT-R494

SCHEMATIC DIAGRAM
AMP SECTION (PART-4)



AMP section (Voltage amp.)

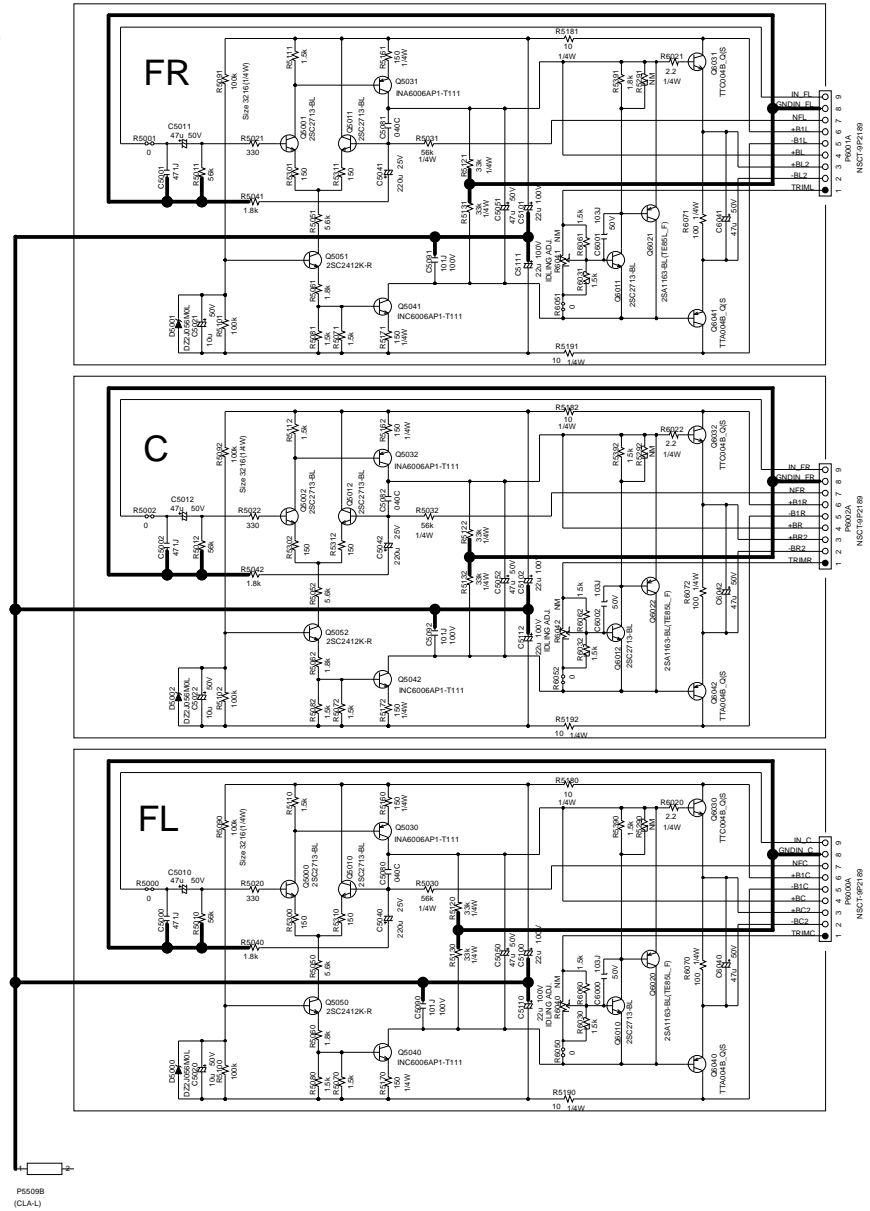
MODEL NO. TX-SR343/444,HT-R494 SCHEMATIC DIAGRAM(PART-5)

Schematic Diagram

AMP SECTION

BACLA-1734

CLASS A



1 2 3 4 5 6 7 8 9
NCT9P2188
TO BAAF-172(PH-4)

1 2 3 4 5 6 7 8 9
NCT9P2189
TO BAAF-172(PH-4)

1 2 3 4 5 6 7 8 9
NCT9P2188
TO BAAF-172(PH-4)

Power supply section (Pri.)

MODEL NO. TX-SR343/444 , HT-R494 SCHEMATIC DIAGRAM (PART-6) PS SECTION

Schematic Diagram

THE COMPONENTS IDENTIFIED MARK \triangle ARE CRITICAL FOR SAFETY, REPLACE ONLY WITH PART NUMBER SPECIFIED.
 VOLTAGE (MEASURED WITH VOLTMETER) IS DC VOLTAGE. (NO INPUT SIGNAL)
 ELECTRIC CAPACITORS ($\text{---}\text{||}\text{---}$) ARE IN $\mu\text{F}/\text{WV}$.
 ALL CAPACITORS ARE IN $\text{pF}/50\text{WV}$ UNLESS OTHERWISE NOTED.
 EX) 030 -> 3pF, 330 -> 33pF, 331 -> 330pF, 333 -> 0.033 μF
 CIRCUIT IS SUBJECT TO CHANGE FOR IMPROVEMENT.

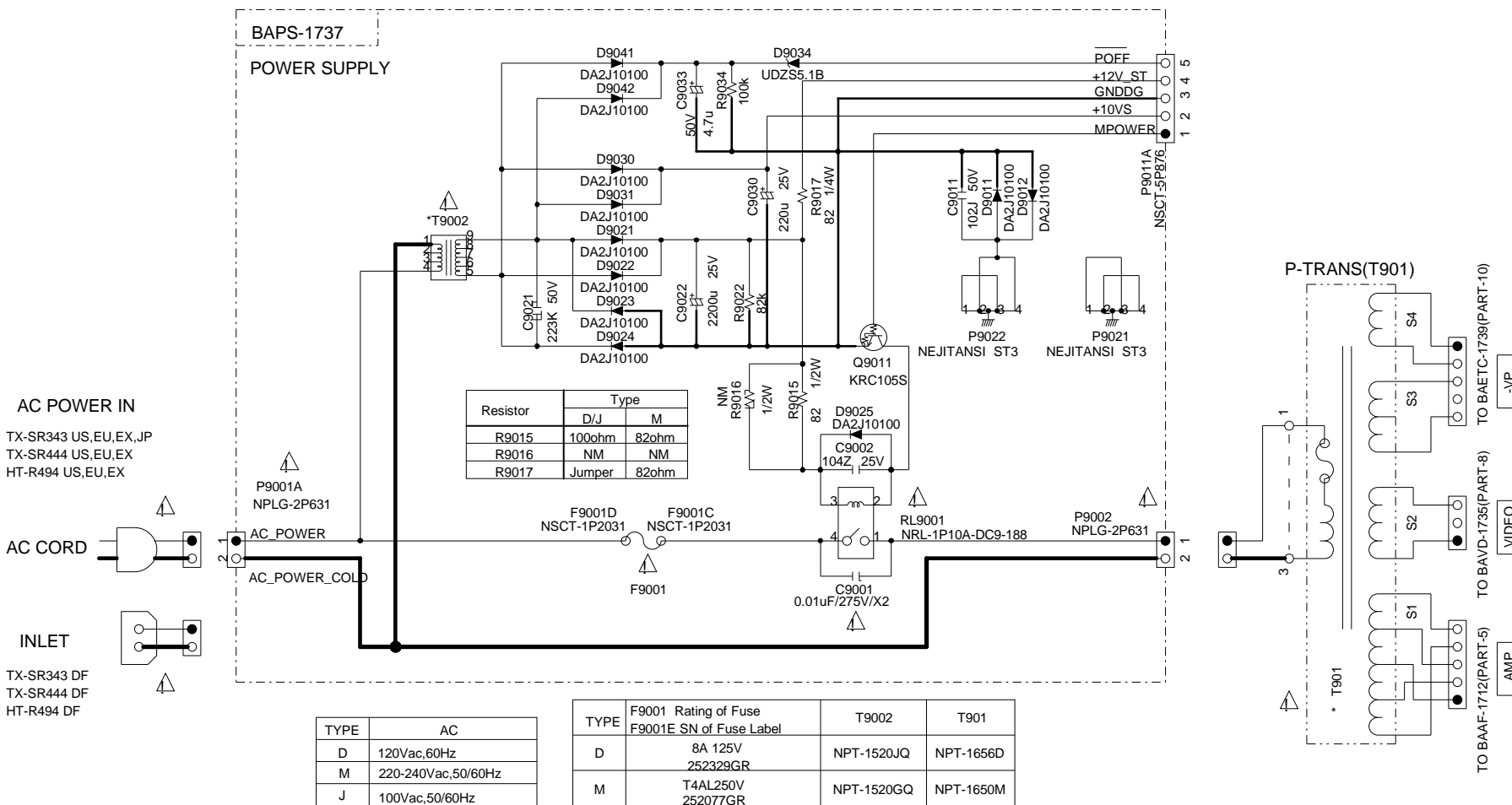
\triangle 印は火災、感電の危険に関与する部品の為、必ず指定部品を使用の事。
 電圧表示は無信号時に測定した直流電圧を示す。
 記入なき電解コンデンサの単位は $\mu\text{F}/\text{WV}$ である。
 記入なきコンデンサの単位は $\text{pF}/50\text{WV}$ である。
 例) 030 -> 3pF, 330 -> 33pF, 331 -> 330pF, 333 -> 0.033 μF
 本配線図は基本配線図につき性能改善等により予告なく変更する事がある。

CAUTION
 FOR CONTINUED PROTECTION AGAINST FIRE HAZARD,
 REPLACE ONLY WITH FUSE OF SAME TYPE AND RATING INDICATED.

CAUTION ATTENTION
 AFIN D'ASSURER UNE PROTECTION PERMANENTE CONTRE LES RISQUES D'INCENDIE,
 REMPLACER UNIQUEMENT PAR UN FUSIBLE DE MEME TYPE ET CALIBRATION COMME INDIQUÉ

FUSE SYMBOL
 THIS SYMBOL LOCATED NEAR THE FUSE INDICATES THAT THE FUSE USED IS SLOW OPERATING TYPE FOR CONTINUED PROTECTION AGAINST FIRE FUSE HAZARD, REPLACE WITH SAME TYPE FUSE. RATING REFER TO THE MAKING ADJACENT TO THE SYMBOL.

FUSE SYMBOL
 CE SYMBOLE INDIQUE QUE LE FUSIBLE UTILISE EST A LENT, E POUR UNE PROTECTION PERMANENT NUTILISER QUE DES FUSIBLES DE MEME TYPE. CE DARNIER EST INDIQUE LA QU LE PRESENT SYMBOLE EST APPOSE.



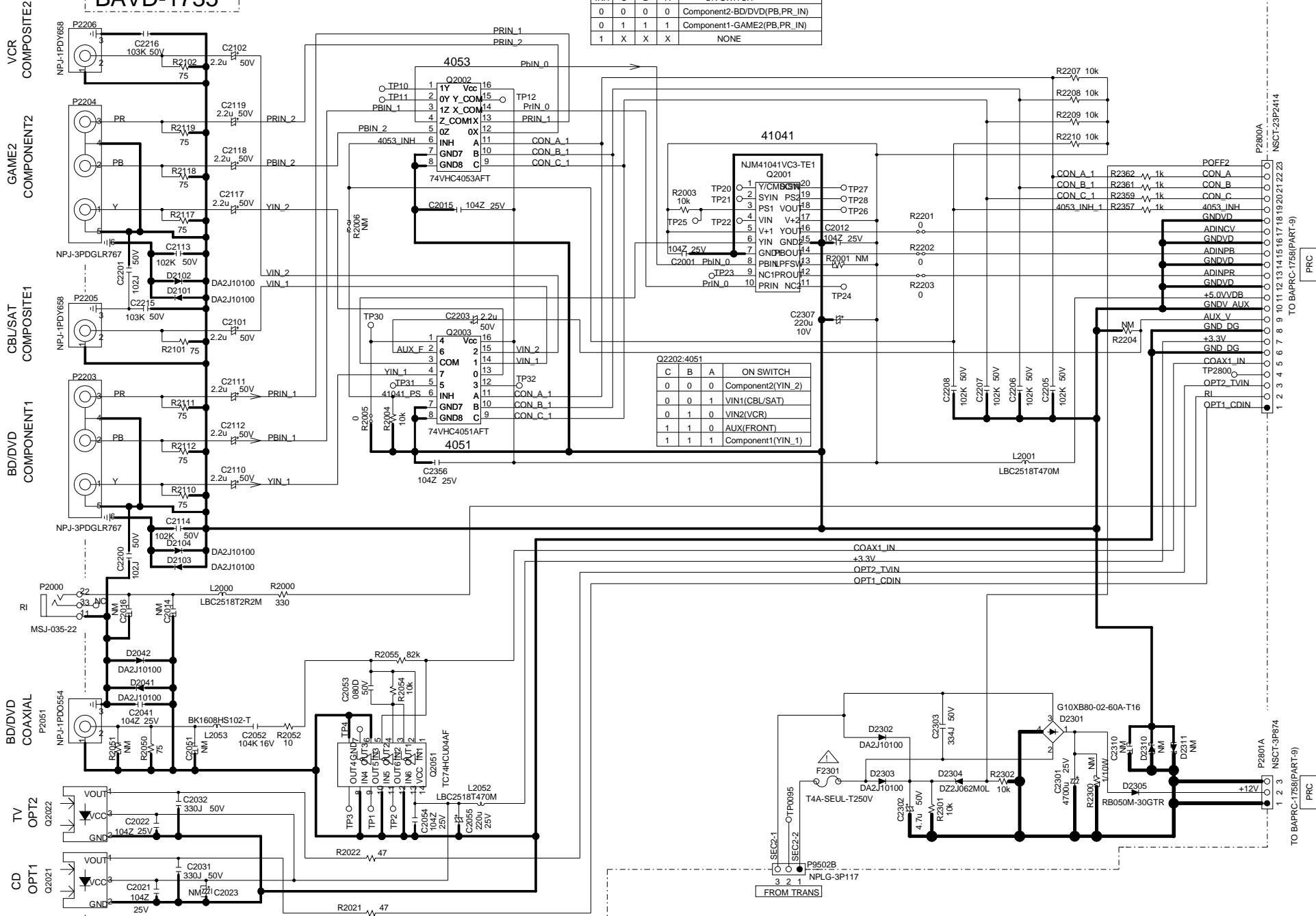
MODEL No. TX-SR343/444 , HT-R494

SCHEMATIC DIAGRAM(Part-7) VIDEO SECTION

BAVD-1735

| Q2201:4053 | | | | |
|------------|---|---|---|-----------------------------|
| INH | C | B | A | ON SWITCH |
| 0 | 0 | 0 | 0 | Component2-BD/DVD(PB,PR_IN) |
| 0 | 1 | 1 | 1 | Component1-GAME2(PB,PR_IN) |
| 1 | X | X | X | NONE |

| Q2202:4051 | | | |
|------------|---|---|-------------------|
| C | B | A | ON SWITCH |
| 0 | 0 | 0 | Component2(YIN_2) |
| 0 | 0 | 1 | VIN1(CBL/SAT) |
| 0 | 1 | 0 | VIN2(VCR) |
| 1 | 1 | 0 | AUX(FRONT) |
| 1 | 1 | 1 | Component1(YIN_1) |

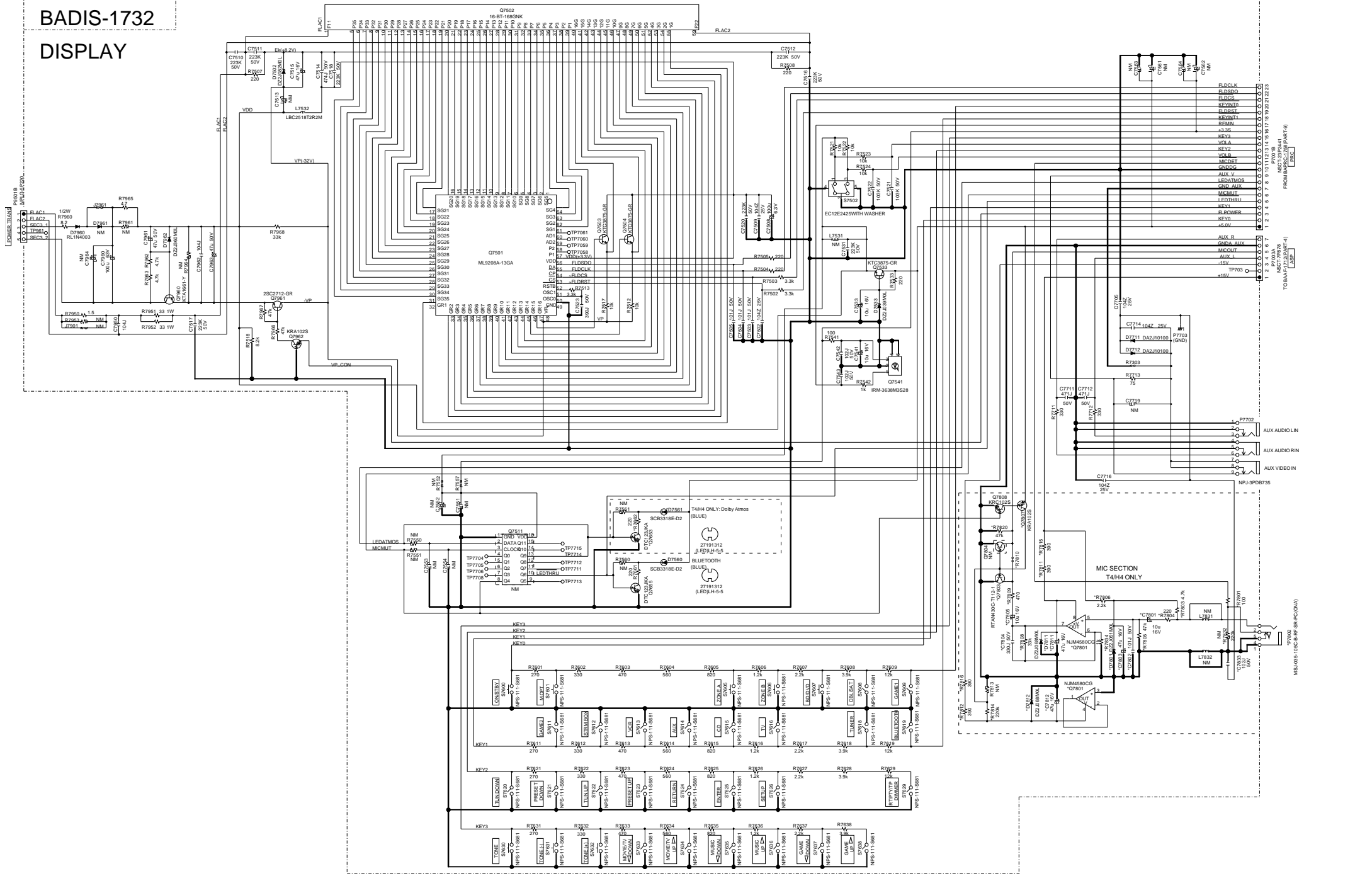


TO BAPRC-758(PART-9)

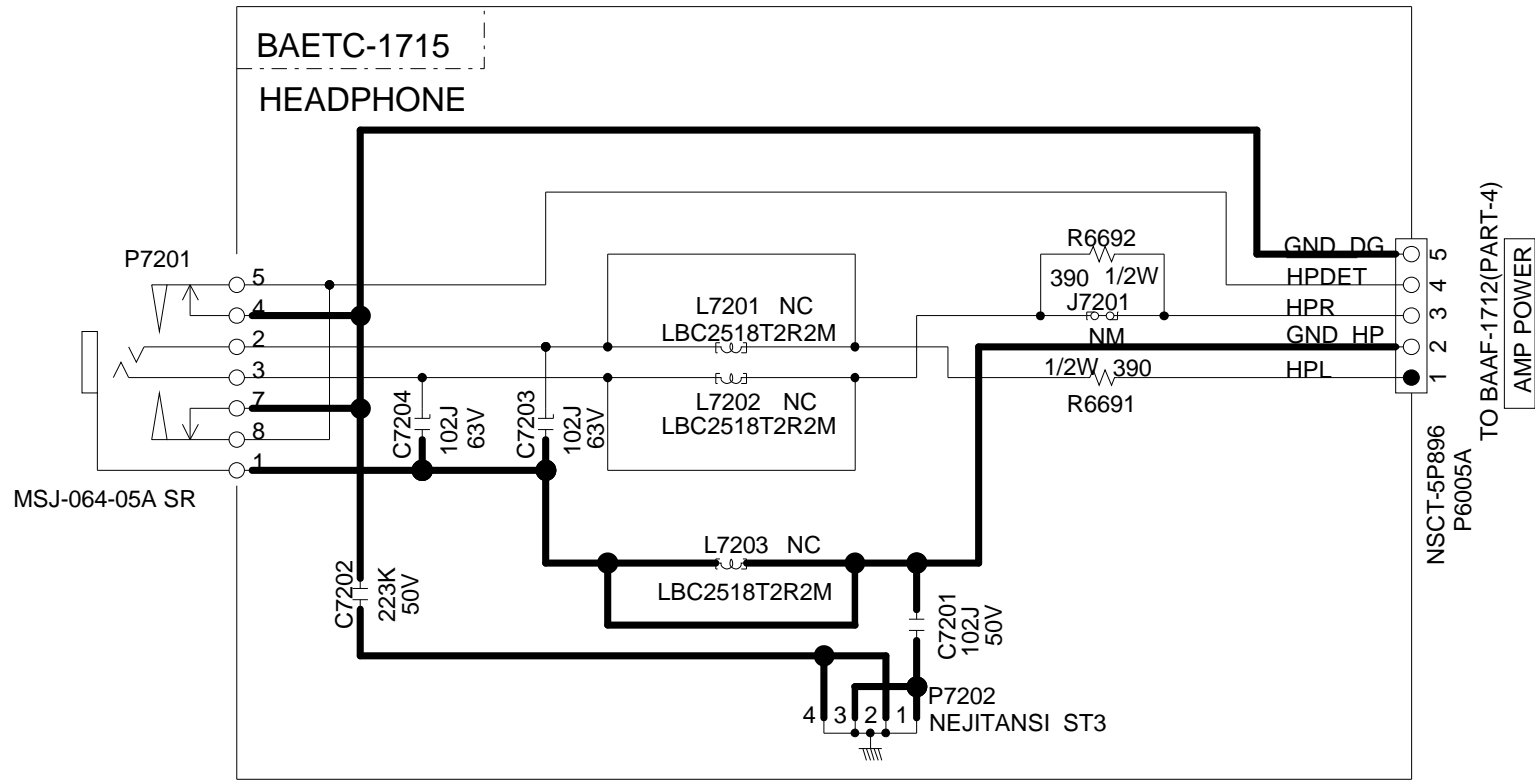
TO BAPRC-758(PART-9)

MODEL NO.TX-SR343/ TX-SR444 / HT-R494 SCHEMATIC DIAGRAM (PART-8) DISPLAY SECTION

BADIS-1732
DISPLAY



MODEL NO.TX-SR343/444 , HT-R494 SCHEMATIC DIAGRAM (PART-8) HEADPHONE SECTIC



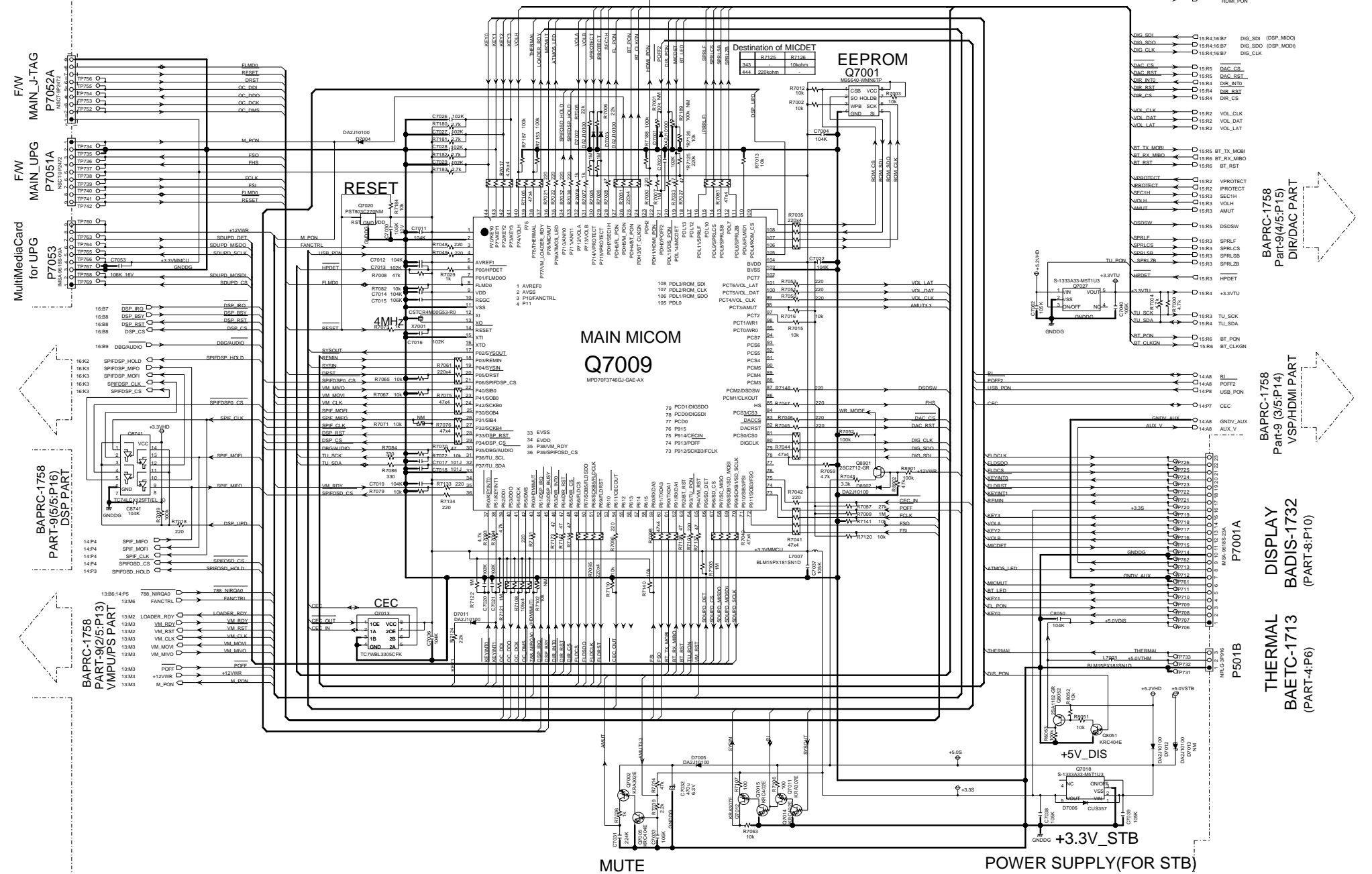
MODEL NO.TX-SR343/444,HT-R494

SCHEMATIC DIAGRAM (PART9 : 1/5 P.12) MPU SECTION

BAPRC-1758 (1/5)

D
C
B
A

D
C
B
A



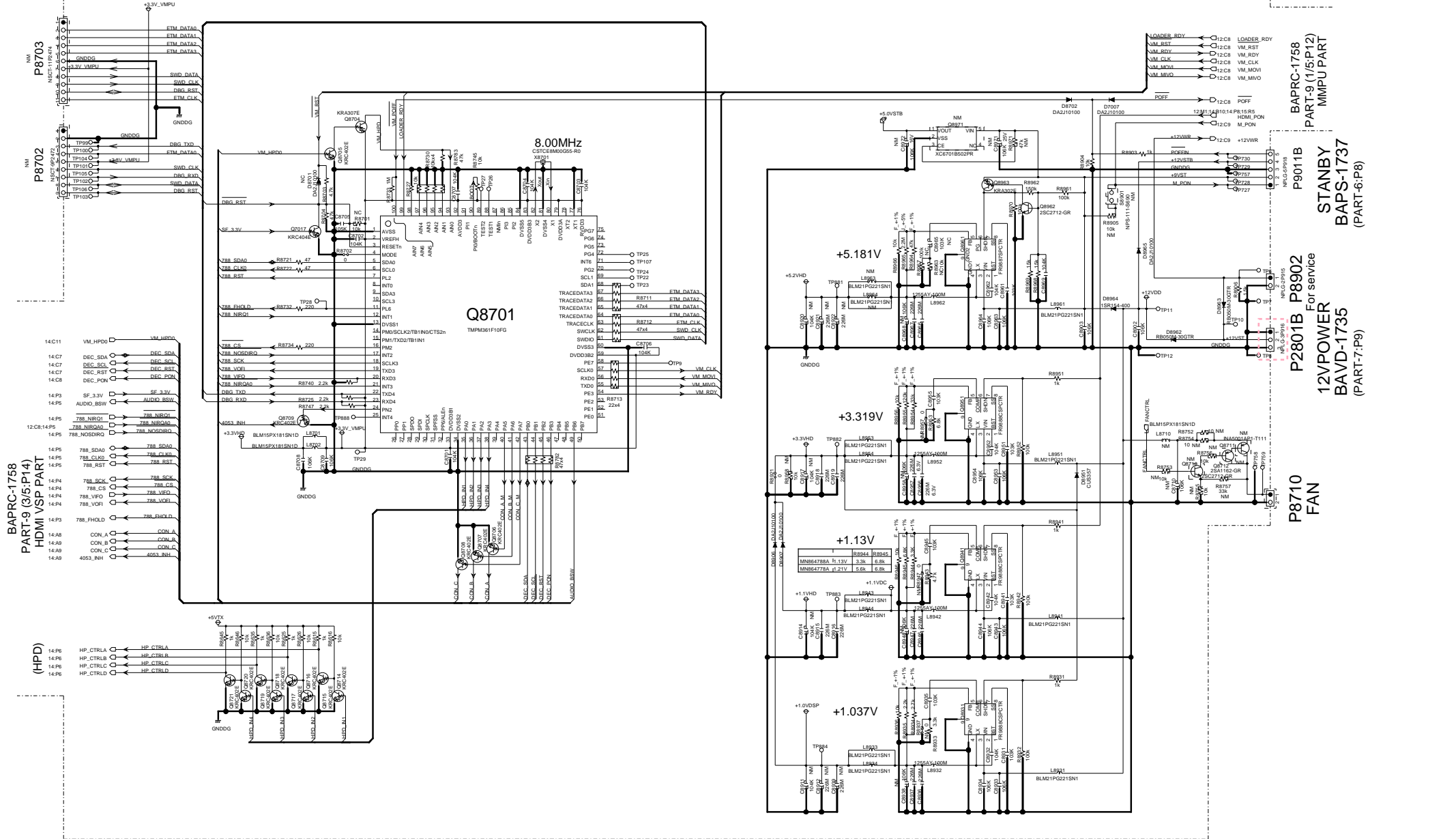
MUTE

POWER SUPPLY(FOR STB)

MODEL NO.TX-SR343/444,HT-R494

SCHEMATIC DIAGRAM (PART-9 : 2/5 P.13) VMPU/POWER SUPPLY SECTION

BAPRC-1758 (2/5)



BAPRC-1758
PART-9 (3/5:P14)
HDMI VSP PART

(HPD)

BAPRC-1758
PART-9 (1/5:P12)
MMPU PART

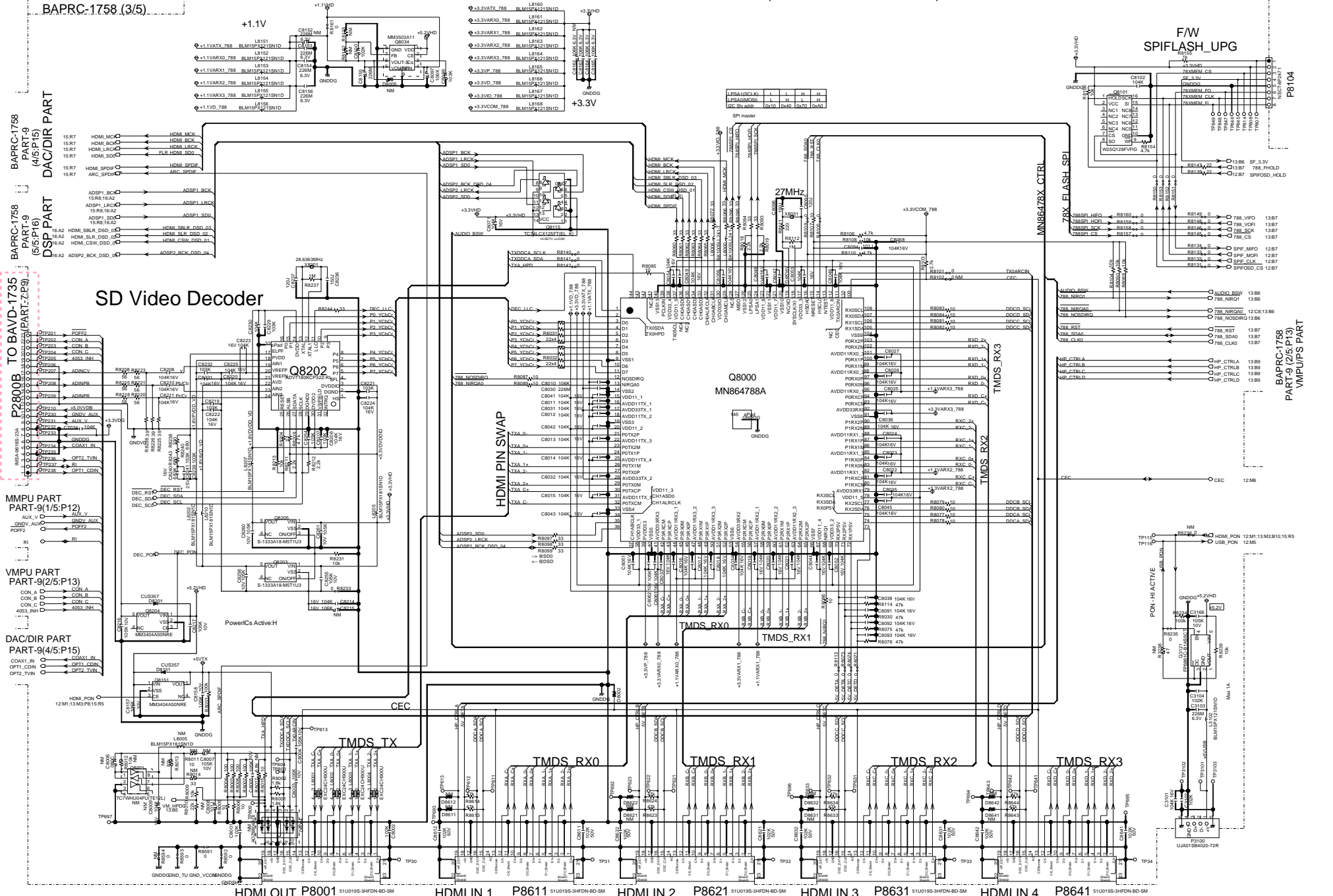
P9011B
STANBY
BAPS-1737
(PART-6:P8)

P2801B P8902
For service
12VPOWER
BAVD-1735
(PART-7:P9)

P8710
FAN

MODEL NO.TX-SR343/444.HT-R494

SCHEMATIC DIAGRAM (PART-9 : 3/5 P.14) VIDEO PROCESSOR SECTION



BAPRC-1758 PART-9 (4/5:P15) DAC/DIR PART

BAPRC-1758 PART-9 (5/5:P16) DSP PART

P2800B TO BAVD-1735 (PART-1:ZP9)

SD Video Decoder

MMPU PART PART-9(1/5:P12)

VMPU PART PART-9(2/5:P13)

DAC/DIR PART PART-9(4/5:P15)

F/W SPIFLASH_UPG

BAPRC-1758 PART-9 (2/5:P13) VMPUPS PART

HDMI OUT P8001 51U0195-3HFDN-BD-SM

HDMI IN 1 P8611 51U0195-3HFDN-BD-SM

HDMI IN 2 P8621 51U0195-3HFDN-BD-SM

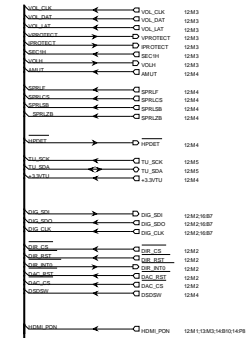
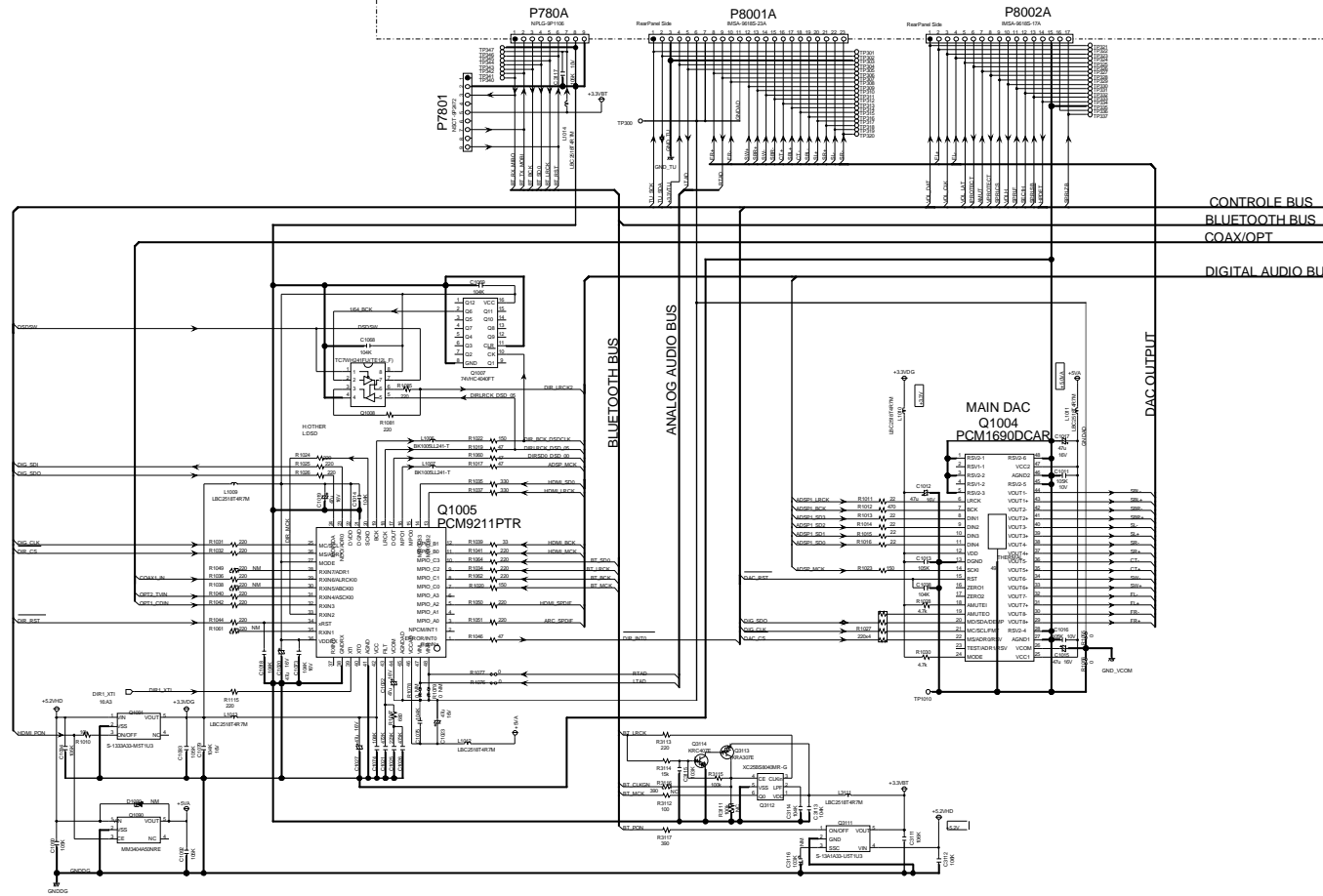
HDMI IN 3 P8631 51U0195-3HFDN-BD-SM

HDMI IN 4 P8641 51U0195-3HFDN-BD-SM

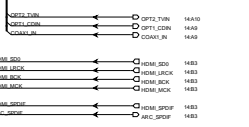
BAPRC-1758 (4/5)

TO BLUETOOTH MODULE
BARF-1764
(PART-11:P18)

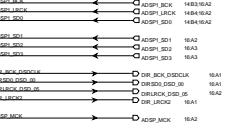
TO AMPLIFIRE SECTION
BAAF-1712
(PART-4:P4)



BAPRC-1758
PART-9 (1/5:P12)
MMPJ PART



BAPRC-1758
PART-9 (3/5:P14)
VSP/HDMI PART



BAPRC-1758
PART-9 (5/5:P16)
DSP PART

BAPRC-1758 (5/5)

DIR PART

- DIR_BCK_DSDCLK
- DIR_LRCK2
- DIRSD0_DSD_00
- HDMI_CSW_DSD_01
- HDMI_SLR_DSD_02
- HDMI_SBLR_DSD_03
- ADSP2_BCK_DSD_04
- DIRLRCK_DSD_05

DAC PART

- ADSP_MCK
- ADSP1_SD0
- ADSP1_BCK
- ADSP1_LRCK
- ADSP1_SD1
- ADSP1_SD2
- ADSP1_SD3

BAPRC-1758 PART-9 (4/5:P15) DIR/DAC PART

DIR1_XTI 15E10

- VDD_DSP_3.3V
- DBG/AUDIO
- HS0/S0D0
- HS1/S0D1
- HS2/S0D2
- HS3/S0D3
- DSP_DBDA
- DSP_DBCK
- DSP_RST_DBG
- DSP_RST
- DSP_BSY
- DSP_IRV
- DSP_CS
- SPEC1_MODI
- SPEC1_MIDO
- SPEC1_MDS
- GNDDG

For Debug

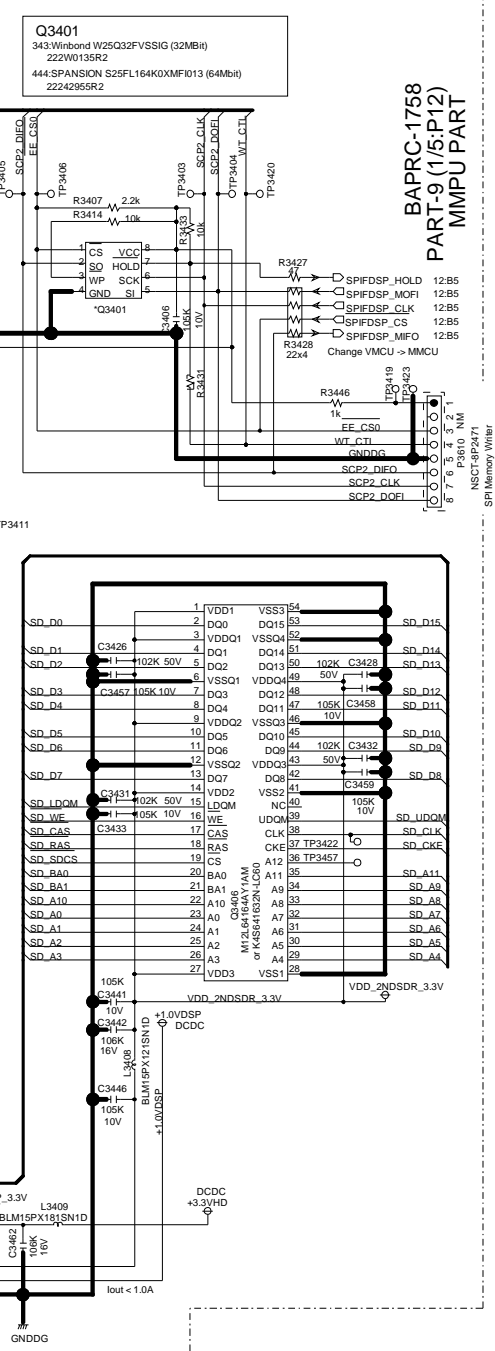
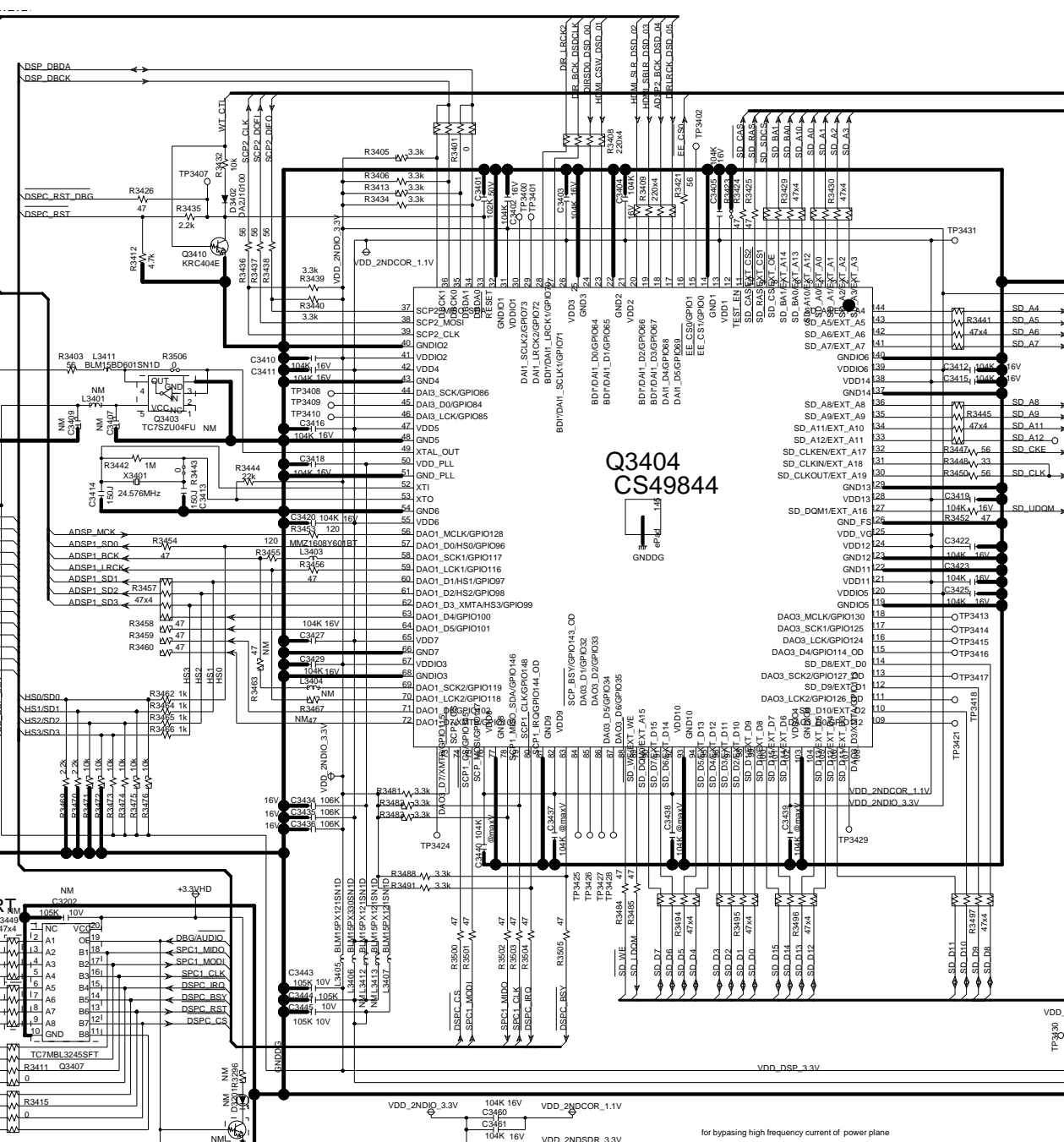
While debugging mode, InSPI bus should be separate from other devices.

DSP CONTROL PART

- DIG_SD1
- DIG_SDO
- DIG_CLK
- DSP_IRVQ
- DSP_BSY
- DSP_RST
- DSP_CS

- DIR_BCK_DSDCLK
- DIR_LRCK2
- DIRSD0_DSD_00
- HDMI_CSW_DSD_01
- HDMI_SLR_DSD_02
- HDMI_SBLR_DSD_03
- ADSP2_BCK_DSD_04
- DIRLRCK_DSD_05

- ADSP_MCK
- ADSP1_SD0
- ADSP1_BCK
- ADSP1_LRCK
- ADSP1_SD1
- ADSP1_SD2
- ADSP1_SD3



MODEL NO. TX-SR343/444,HT-R494

SCHEMATIC DIAGRAM (PART-10) TUNER SECTION

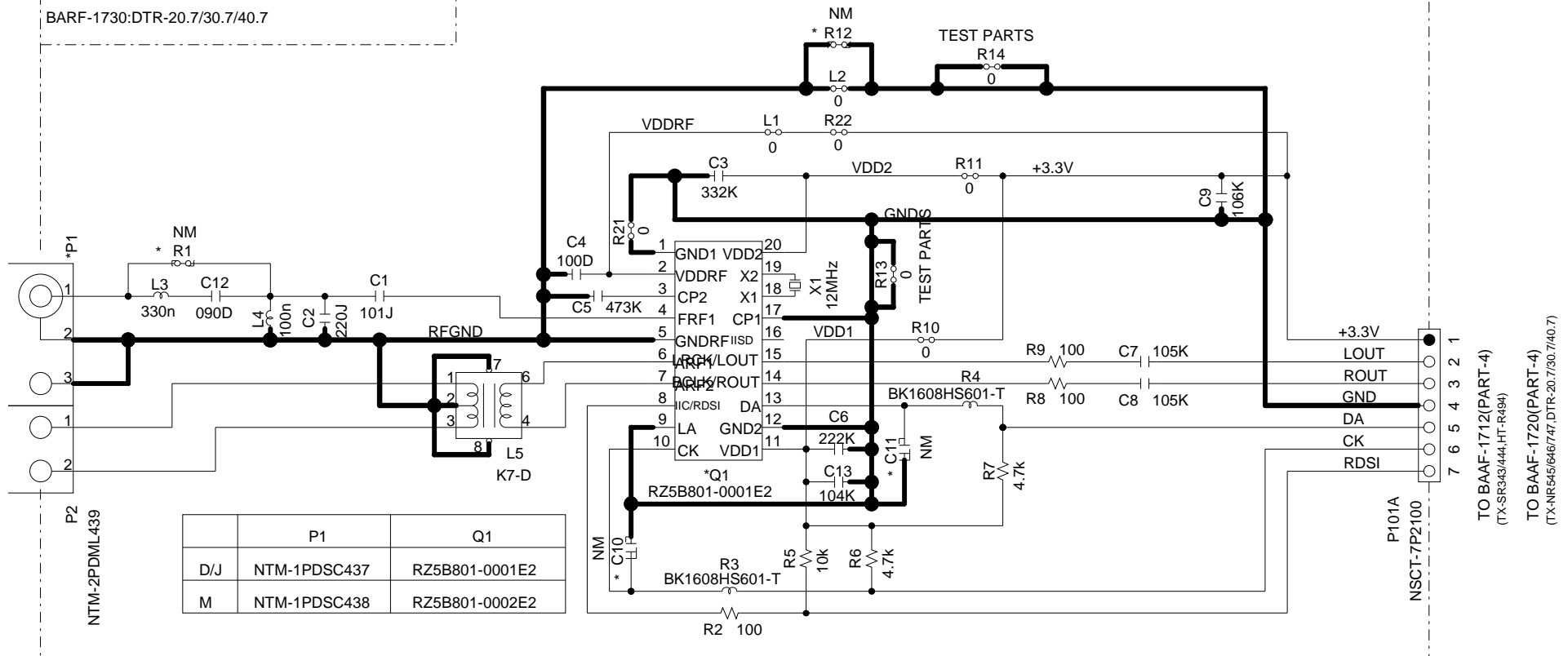
MODEL NO. TX-NR545/646/747,DTR-20.7/30.7/40.7

SCHEMATIC DIAGRAM (PART-11) TUNER SECTION

BARF-1738:TX-SR343/444,HT-R494

BARF-1731:TX-NR545/646/747

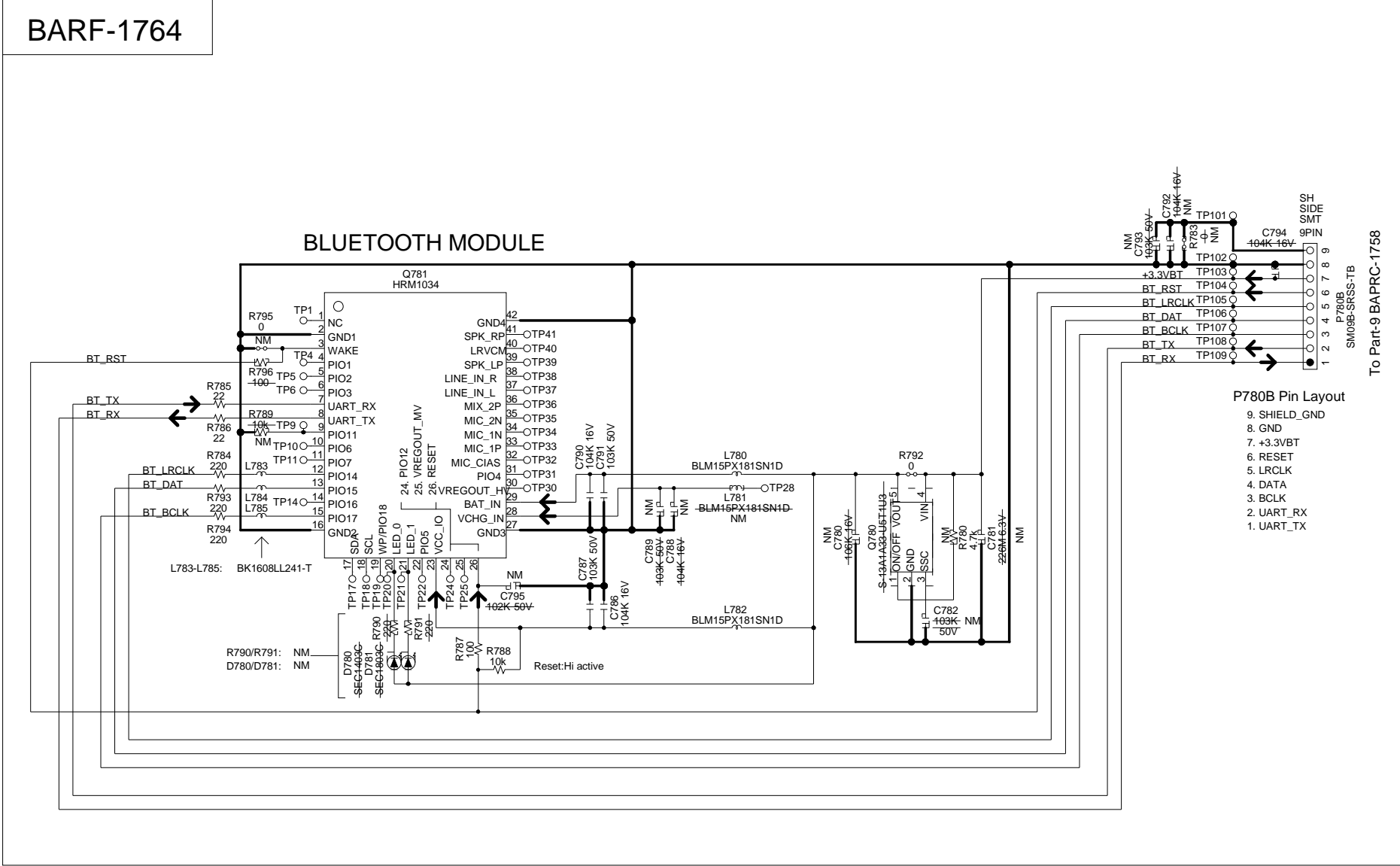
BARF-1730:DTR-20.7/30.7/40.7



TO BAAF-1712(PART-4)
(TX-SR343/444,HT-R494)

TO BAAF-1720(PART-4)
(TX-NR545/646/747,DTR-20.7/30.7/40.7)

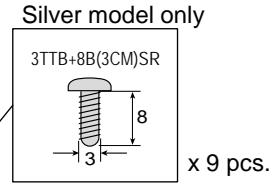
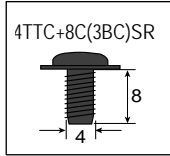
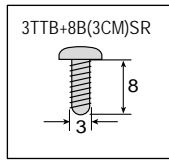
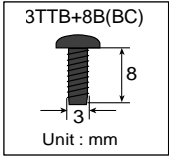
MODEL NO. TX-SR343/444,HT-R494 SCHEMATIC DIAGRAM (PART-14) Bluetooth module Connector Section



Overview

Exploded View

<NOTE>
No description screw is 3TTB +8B(BC).



Refer to "front section"

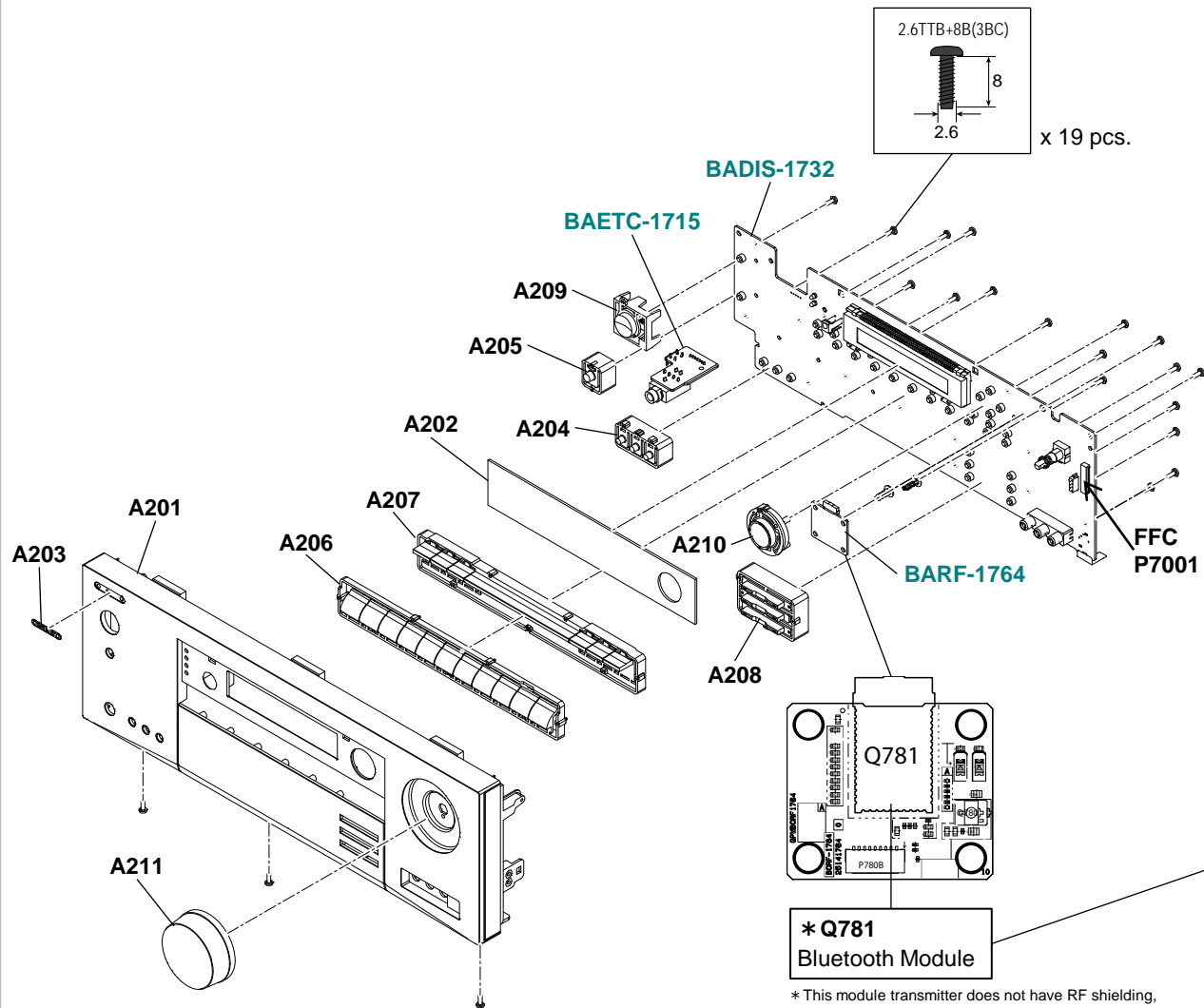
Refer to "heat sink section"

Refer to "rear section"

x 4 pcs.

A002 x 4 pcs.

A003 x 4 pcs.



*** Q781
Bluetooth Module**

* This module transmitter does not have RF shielding, therefore it will be equipped only the tested Audio system mentioning this document. Additional test will be required if it will be equipped to the other devices

*** WiFi & Bluetooth Module has already been certificated by FCC and IC.**

Information to the user.
Indicate "Contains FCC ID: VIYHRM1034", "Contains IC: 7305A- HRM1034" and following information to the host device installed.

This device complies with part 15 of the FCC Rules. Operation is subject to the following two conditions: (1) This device may not cause harmful interference, and (2) this device must accept any interference received, including interference that may cause undesired operation.

Describe the following sentence to a user's manual of the host device.

[For FCC]
FCC CAUTION

Changes or modifications not expressly approved by the party responsible for compliance could void the user's authority to operate the equipment.

Note: This equipment has been tested and found to comply with the limits for a Class B digital device, pursuant to part 15 of the FCC Rules. These limits are designed to provide reasonable protection against harmful interference in a residential installation. This equipment generates, uses and can radiate radio frequency energy and, if not installed and used in accordance with the instructions, may cause harmful interference to radio communications. However, there is no guarantee that interference will not occur in a particular installation. If this equipment does cause harmful interference to radio or television reception, which can be determined by turning the equipment off and on, the user is encouraged to try to correct the interference by one or more of the following measures:

- Reorient or relocate the receiving antenna.
- Increase the separation between the equipment and receiver.
- Connect the equipment into an outlet on a circuit different from that to which the receiver is connected.
- Consult the dealer or an experienced radio/TV technician for help.

This transmitter must not be co-located or operated in conjunction with any other antenna or transmitter.

This equipment complies with FCC radiation exposure limits set forth for an uncontrolled environment and meets the FCC radio frequency (RF) Exposure Guidelines in Supplement C to OET65. This equipment has very low levels of RF energy that it deemed to comply without maximum permissive exposure evaluation (MPE). But it is desirable that it should be installed and operated keeping the radiator at least 20cm or more away from person's body (excluding extremities: hands, wrists, feet and ankles).

[For IC]
CAN ICES-3 B/NMB-3 B

This device complies with Industry Canada licence-exempt RSS standard(s). Operation is subject to the following two conditions: (1) this device may not cause interference, and (2) this device must accept any interference, including interference that may cause undesired operation of the device.

Le présent appareil est conforme aux CNR d'Industrie Canada applicables aux appareils radio exempts d'licence. L'exploitation est autorisée aux deux conditions suivantes : (1) l'appareil ne doit pas produire de brouillage, et (2) l'utilisateur de l'appareil doit accepter tout brouillage radioélectrique subi, même si le brouillage est susceptible d'en compromettre le fonctionnement.

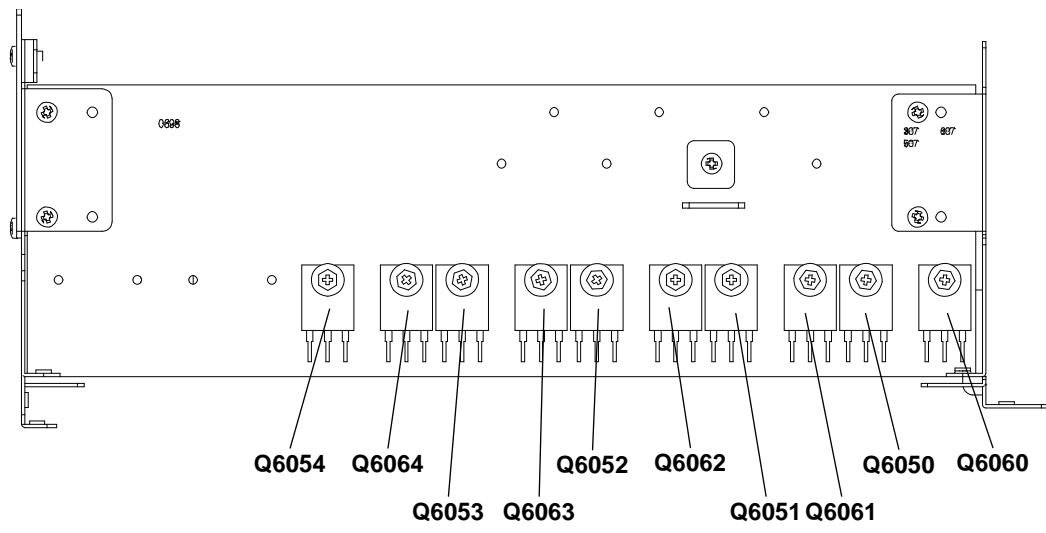
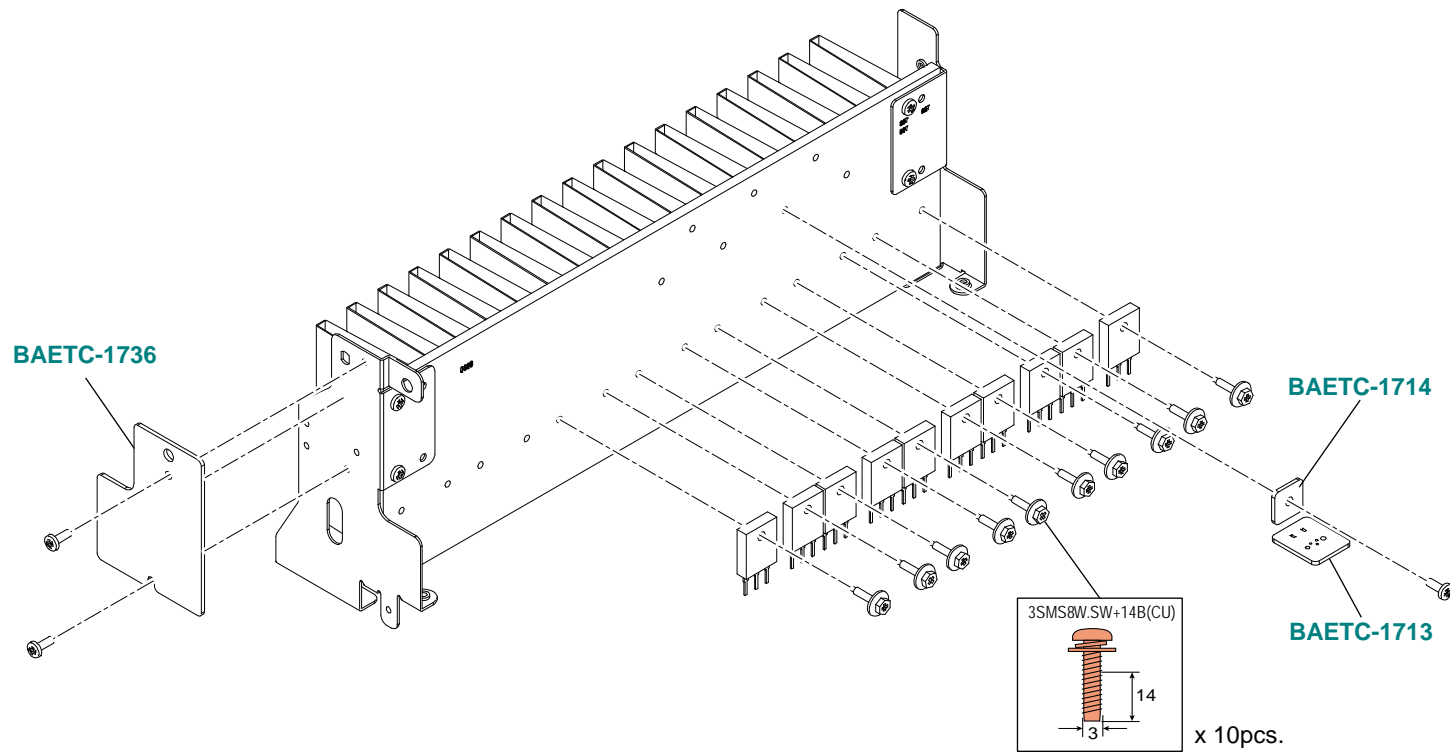
This equipment complies with IC radiation exposure limits set forth for an uncontrolled environment and meets RSS-102 of the IC radio frequency (RF) Exposure rules. This equipment has very low levels of RF energy that it deemed to comply without maximum permissive exposure evaluation (MPE). But it is desirable that it should be installed and operated keeping the radiator at least 20cm or more away from person's body (excluding extremities: hands, wrists, feet and ankles).

Cet équipement est conforme aux limites d'exposition aux rayonnements énoncées pour un environnement non contrôlé et respecte les règles d'exposition aux fréquences radioélectriques (RF) CNR-102 de l'IC. Cet équipement émet une énergie RF très faible qui est considérée conforme sans évaluation de l'exposition maximale autorisée. Cependant, cet équipement doit être installé et utilisé en gardant une distance de 20 cm ou plus entre le dispositif rayonnant et le corps (à l'exception des extrémités : mains, poignets, pieds et chevilles).

This is TX-SR343. TX-SR444 / HT-R494 are same mostly structurally. Please refer to PANEL pages for detailed place by the terminal.

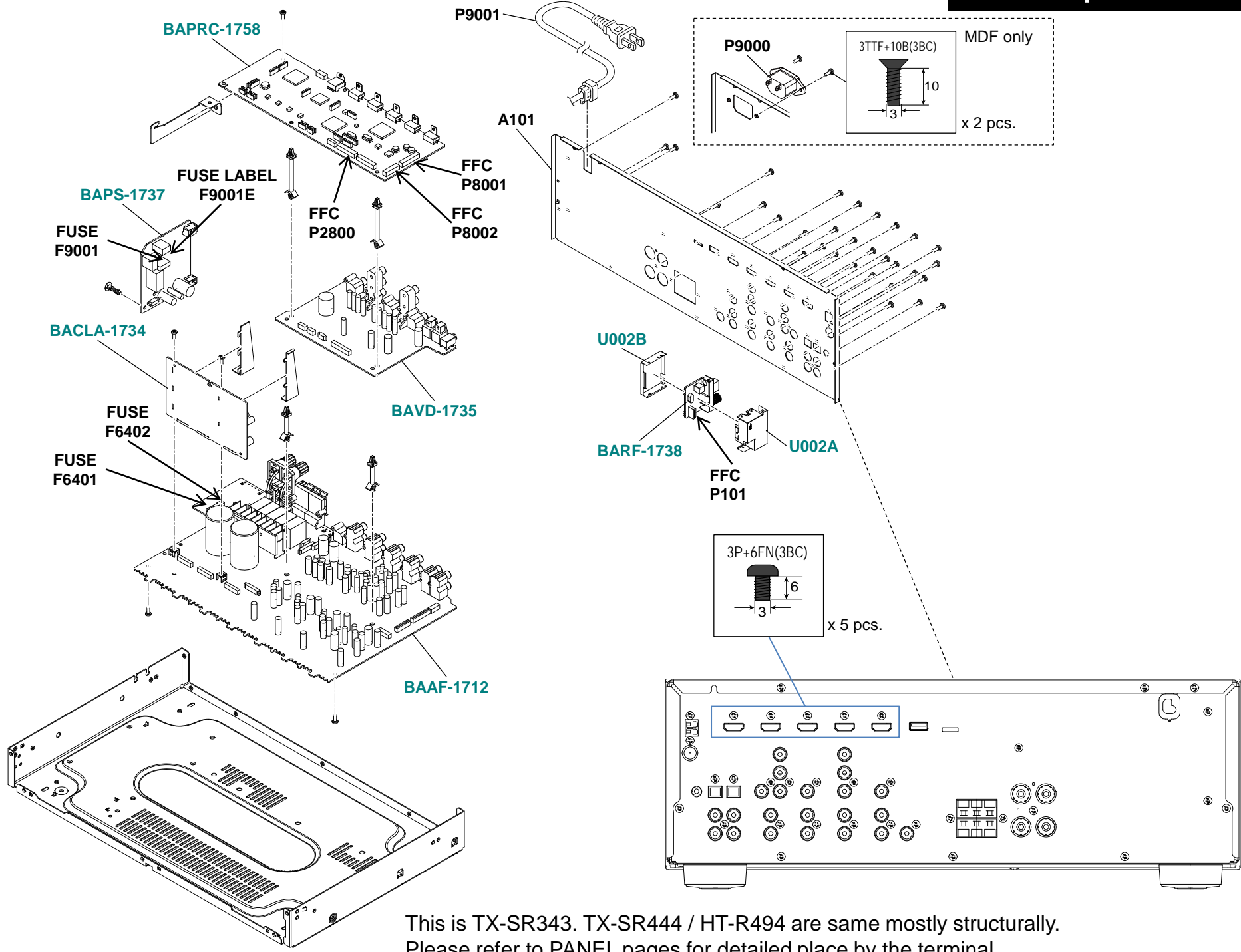
Heat sink section

Exploded View



Rear section

Exploded View



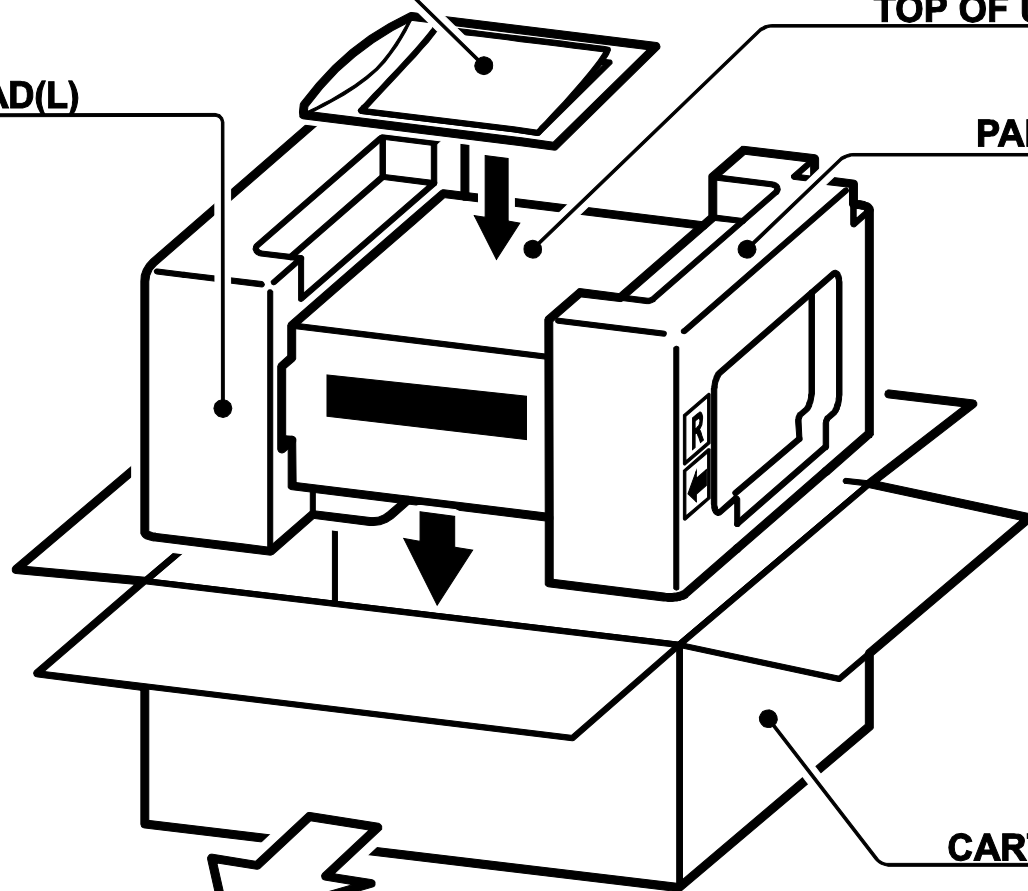
This is TX-SR343. TX-SR444 / HT-R494 are same mostly structurally. Please refer to PANEL pages for detailed place by the terminal.

ACCESSORY BAG
(INSTRUCTION MANUAL
REMOTE CONTROLLER etc.)

TOP OF UNIT

PAD(L)

PAD(R)



CARTON

FORWARD

- | ACCESSORY |
|----------------------|
| • REMOTE CONTROLLER |
| • INSTRUCTION MANUAL |
| • FM/AM ANTENNA |
| • SET UP MIC |

Operation Check

About Button Action

Use the following expression simplify description button operation.

Example-1 : [TV/CD] + [/ standby] → [BD/DVD]

Means press the [/ standby] at [TV/CD] button is pressed, then both button to speak, [BD/DVD] button is pressed.

Example-2 : [DISPLAY] + [/ standby] x 2 → [DIMMER] or [RT/PTY/TP]

Means press and hold [/ standby] button two times while pressing the [DISPLAY] button, then press the [DIMMER] or [RT/PTY/TP] button.

How to check MAIN Checksum

[TONE +] + [ON/STANDBY] x 2 → [ENTER]

How to check FL Tube and LED Operation

[TV] + [ON/STANDBY] → [DIMMER] or [RT/PTY/TP]

How to check Output Sensor & Temperature Sensor

[TONE +] + [ON/STANDBY] x 2 → [TONE]

[例] 001 042 E:x S:H

The level of VOLH

The temperature of the thermal sensor

The state of the cooling fan
x:STOP or Not included, L:LOW SPEED, H:HIGH SPEED
TX-SR343 don't have the cooling fan.

Power supply change in the amplifier section
H:High voltage, L:Low voltage

Initial Setting for Shipping (Service Information is also cleared.)

Step1

Set the volume level as 25.

Step2

[TONE] + [ON/STANDBY] → [Return] x 2
Display "All Clear" of FL tube and AVR goes standby.

Step3

Unplug the power cord.

Operation Check

How to enter to a test mode

Step1 : Set the volume level as 25.

Step2 : [TV] + [ON/STANDBY]

Display "TEST-_"

Step3 : Press the following button, while "TEST - " is displayed, then each test mode is set.

| 1-00 | 2-00 | 3-00 | 4-00 | 5-00 | 6-00 |
|--------|---------|-------|-------|----------|------|
| BD/DVD | CBL/Sat | GAME1 | GAME2 | STRM BOX | VCR |

How to check buttons and Master Volume Operation

Step1

Set the following test mode and confirm each buttons and master volume operation.

Test mode (TEST 1-06) [TV] + [ON/STANDBY] → [BD/DVD] → [TONE +] x 6

Step2

If "ON/STANDBY" button is pressed, AVR escapes from this button test mode.

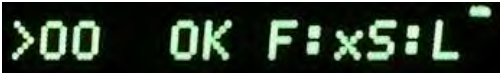
Therefor, press the "ON/STANDBY" button, after checking other buttons finished.

How to check Output Sensor

Step1 : Low Detect check

When set the following test mode , if FL tube display "OK" then this check is passed.

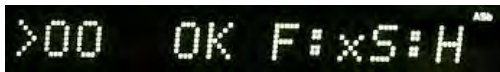
Test mode (TEST 1-07) [TV] + [ON/STANDBY] → [BD/DVD] → [TONE +] x 7
Relay RL6430 and RL6440



Step2 : High Detect check

When set the following test mode , if FL tube display "OK" then this check is passed.

Test mode (TEST 1-08) [TV] + [ON/STANDBY] → [BD/DVD] → [TONE +] x 8
Relay RL6430 and RL6440



How to check FL Display

Step1 : Set VOL Level = 25

Step2 : [TV] + [ON/STANDBY] → [DIMMER] or [RT/PTY/TP]

Lit all Segment.

Step3 : [TONE +]

Lit '23456789ABCDEF'.

Step4 : [TONE +]

Lit a even number segment.

Step5 : [TONE +]

Lit an odd number segment.

Step6 : [TONE +]

The Destination setting is displayed.

Debug Mode

Audio debug mode

The operations of DSP and DIR etc. are able to checked by the information displayed on FL in this debug mode. This information will help to analysing digital audio no sound trouble.

How to enter to a audio debug mode

Step1 : Set the volume level as 25.

Step2 : [TONE+] + [ON/STANDBY] x 2

Display "Mx.xx / xxxxxxxx" --- Version number of MPU

Step3 : [TONE+]

Display "Nx.xx / xxxxxxxx" --- Version number of N or DA830/NET

Step4 : [TONE+] = forward, [TONE-] =reverse

FL Display

| | | | | | | | | | | | | | |
|----|----|----|----|----|----|----|----------|----|----|----|---------|----|----|
| 1 | 1 | 2 | 2 | 3 | 3 | : | 4 | 4 | : | 5 | 5 | | |
| | | | | | | | [TONE+]↓ | | | ↑ | [TONE-] | | |
| 6 | 6 | 6 | : | 7 | : | 8 | 8 | 8 | : | 9 | : | 10 | |
| | | | | | | | [TONE+]↓ | | | ↑ | [TONE-] | | |
| 1 | : | 11 | 11 | 11 | 11 | 12 | 12 | 12 | K | 13 | 13 | 13 | k |
| | | | | | | | [TONE+]↓ | | | ↑ | [TONE-] | | |
| 14 | 14 | 14 | . | 15 | : | 16 | 16 | 16 | 16 | : | 17 | 17 | 17 |
| | | | | | | | [TONE+]↓ | | | ↑ | [TONE-] | | |
| 2 | : | 18 | : | 19 | 19 | 19 | 19 | : | 20 | 20 | 20 | 20 | |
| | | | | | | | [TONE+]↓ | | | ↑ | [TONE-] | | |
| | 21 | 21 | : | 22 | : | 23 | : | 24 | 24 | 24 | | 25 | 25 |
| | | | | | | | [TONE+]↓ | | | ↑ | [TONE-] | | |
| 26 | 26 | 27 | 27 | 28 | * | 29 | * | 30 | 30 | 31 | 31 | 32 | 32 |
| | | | | | | | [TONE+]↓ | | | ↑ | [TONE-] | | |
| 33 | 33 | 33 | 34 | 34 | 34 | 35 | 35 | 35 | 36 | 36 | 36 | | |

FL Display

| | | | | | | | | | | | | | |
|---|---|---|---|---|---|---|---|---|---|---|---|--|--|
| 1 | 1 | 2 | 2 | 3 | 3 | : | 4 | 4 | : | 5 | 5 | | |
|---|---|---|---|---|---|---|---|---|---|---|---|--|--|

1. st_srd.lmd

| | |
|----|-------------------|
| 01 | C_LM_LAST |
| 02 | C_LM_PURE |
| 03 | C_LM_DIRECT |
| 04 | C_LM_STEREO |
| 05 | C_LM_MONO |
| 20 | C_LM_SURR |
| 50 | C_LM_THX_MUSIC |
| 70 | C_LM_THX_GAME |
| 90 | C_LM_THX_CINEMA |
| A0 | C_LM_THX_U2GAME |
| A8 | C_LM_THX_U2MUSIC |
| B0 | C_LM_THX_U2CINEMA |
| D0 | C_LM_AUDYSSEY |
| 48 | C_LM_DTSSS |
| 06 | C_LM_ORCHESTRA |
| 07 | C_LM_UNPLUGGED |
| 08 | C_LM_STUDIOMIX |
| 09 | C_LM_TVLOGIC |
| 0A | C_LM_ALLCHST |
| 0B | C_LM_FULLMONO |
| 0C | C_LM_TD |
| F1 | C_LM_TESTTONE |
| F2 | C_LM_TESTTHR |
| F3 | C_LM_TESTAUTO |
| F4 | C_LM_ASC |
| F5 | C_LM_FLASH |
| F6 | C_LM_DEBUGMODE |
| F7 | C_LM_FLASH2 |
| F8 | C_LM_FLASH3 |
| F9 | C_LM_FLASH4 |
| FA | C_LM_FLASH_CHECK |
| 0D | C_LM_RPG |
| 0E | C_LM_ACTION |
| 0F | C_LM_ROCKBAND |
| 10 | C_LM_SPORTS |

2. st_srd.extdec

| | |
|----|------------------------|
| 00 | C_EXTDEC_OFF |
| 01 | C_EXTDEC_20_PLII |
| 02 | C_EXTDEC_20_PLIIX |
| 03 | C_EXTDEC_20_PLIIZ |
| 04 | C_EXTDEC_20_NEO6 |
| 05 | C_EXTDEC_51_MTR |
| 06 | C_EXTDEC_51_DSC |
| 07 | C_EXTDEC_51_NEO6 |
| 08 | C_EXTDEC_51_EX |
| 09 | C_EXTDEC_51_PLIIX |
| 0A | C_EXTDEC_51_PLIIZ |
| 0B | C_EXTDEC_9624 |
| 0C | C_EXTDEC_9624_MTR |
| 0E | C_EXTDEC_71MULTI |
| 0F | C_EXTDEC_20_NEURAL |
| 10 | C_EXTDEC_51_NEURAL |
| 13 | C_EXTDEC_DOLBY_20_SURR |
| 14 | C_EXTDEC_DOLBY_51_SURR |

3. st_srd.extdecmd

| | |
|----|-------------------|
| 00 | C_EXTDECMD_OFF |
| 01 | C_EXTDECMD_10 |
| 02 | C_EXTDECMD_20 |
| 03 | C_EXTDECMD_MOVIE |
| 04 | C_EXTDECMD_MUSIC |
| 05 | C_EXTDECMD_GAME |
| 06 | C_EXTDECMD_HEIGHT |
| 07 | C_EXTDECMD_WIDE |

4. Muting port

| | |
|---|--------------|
| D | DIGMUTE port |
| A | AMUTE port |

5. Factor of muting

| | |
|-------|--------------|
| bit_1 | SELMUTE |
| bit_2 | POWMUTE |
| bit_3 | PROTECTMUTE |
| bit_4 | AUDIOOUTMUTE |
| bit_5 | AUDIOMUTE |
| bit_6 | DIRMUTE |
| bit_7 | DACMUTE |
| bit_8 | HDMIMUTE |

FL Display

| | | | | | | | | | | | | | |
|---|---|---|---|---|---|---|---|---|---|---|---|----|--|
| 6 | 6 | 6 | : | 7 | : | 8 | 8 | 8 | : | 9 | : | 10 | |
|---|---|---|---|---|---|---|---|---|---|---|---|----|--|

6. Audio input channel

| | |
|-----|---------|
| ANA | Analog |
| COX | Coaxial |
| OPT | Optical |
| HDM | HDMI |
| ARC | ARC |

7. DSP decode

| | |
|---|---------------|
| 0 | DSP Detect OK |
| x | DSP No Detect |

8. HDMI audio lock

| | |
|-----|-------------------|
| STB | SOUND STATE FIX |
| TRS | SOUND STATE UNFIX |
| NON | SOUND STATE NONE |

9. Display inhibit frag

| | |
|---|---------------------|
| S | display inhibit SET |
| C | display inhibit CLR |

10. RX mute

| | |
|---|-----------|
| V | HDMI MUTE |
|---|-----------|

FL Display

1 : 11 11 11 11 12 12 12 k 13 13 13 k

11. source_format

| | |
|------|----------------|
| UNLK | DDR_UNLOCK |
| ANA | DDR_ANALOG |
| PCM | DDR_PCM |
| AC3 | DDR_AC3 |
| DTS | DDR_DTS |
| MPEG | DDR_MPEG |
| DATA | DDR_DATA |
| UNKW | DDR_UNKNOWN |
| NORD | DDR_NOT_READY |
| NPCM | DDR_NOT_PCM |
| FS96 | DDR_FS96 |
| NODT | DDR_NOT_DETECT |
| DTSC | DDR_DTSCD |
| AAC | DDR_AAC |
| MPCM | DDR_MCHPCM |
| MCH | DDR_MCH |
| TRUE | DDR_TRUE |
| MSTR | DDR_MSTR |
| DSD | DDR_DSD |
| PLUS | DDR_DDPLUS |
| EXPR | DDR_DTSEXP |
| DTSH | DDR_DTSHD |

12. st_srd.fs

| | |
|-----|----------|
| ??? | unknown |
| 008 | 8kHz |
| 011 | 11kHz |
| 012 | 12kHz |
| 016 | 16kHz |
| 022 | 22kHz |
| 024 | 24kHz |
| 032 | 32kHz |
| 044 | 44.1kHz |
| 048 | 48kHz |
| 064 | 64Hz |
| 088 | 88.2kHz |
| 096 | 96kHz |
| 176 | 176.4kHz |
| 192 | 192kHz |

13. st_hd_display.fs

| | |
|-----|----------|
| ??? | unknown |
| 008 | 8kHz |
| 011 | 11kHz |
| 012 | 12kHz |
| 016 | 16kHz |
| 022 | 22kHz |
| 024 | 24kHz |
| 032 | 32kHz |
| 044 | 44.1kHz |
| 048 | 48kHz |
| 064 | 64Hz |
| 088 | 88.2kHz |
| 096 | 96kHz |
| 176 | 176.4kHz |
| 192 | 192kHz |

FL Display

14 14 14 . 15 : 16 16 16 16 : 17 17 17

14. Information of the input channels for listening mode transition

| | |
|-----|---------------|
| ??? | C_FMT_UNKNOWN |
| 10 | C_FMT_10 |
| 20 | C_FMT_20 |
| 30 | C_FMT_30 |
| 21 | C_FMT_21 |
| 31 | C_FMT_31 |
| 22 | C_FMT_22 |
| 32 | C_FMT_32 |
| 23 | C_FMT_23 |
| 33 | C_FMT_33 |
| 24 | C_FMT_24 |
| 34 | C_FMT_34 |
| 4H2 | C_FMT_42H |
| 5H2 | C_FMT_52H |
| 4W2 | C_FMT_42W |
| 5W2 | C_FMT_52W |
| 4H4 | C_FMT_44H |
| 4H3 | C_FMT_43H |
| 5H4 | C_FMT_54H |
| 5H3 | C_FMT_53H |
| 4W4 | C_FMT_44W |
| 4W3 | C_FMT_43W |
| 5W4 | C_FMT_54W |
| 5W3 | C_FMT_53W |
| 11 | C_FMT_11 |

15. Information of the LFE channel input

| | |
|---|--------|
| 0 | SW 0ch |
| 1 | SW 1ch |
| 2 | SW 2ch |

16. Channel information of the FL display

Four digit string "10.2", "5.", "+1"

17. Number of channels after decoding

| | |
|-----|---------------|
| ??? | C_FMT_UNKNOWN |
| 10 | C_FMT_10 |
| 20 | C_FMT_20 |
| 30 | C_FMT_30 |
| 21 | C_FMT_21 |
| 31 | C_FMT_31 |
| 22 | C_FMT_22 |
| 32 | C_FMT_32 |
| 23 | C_FMT_23 |
| 33 | C_FMT_33 |
| 24 | C_FMT_24 |
| 34 | C_FMT_34 |
| 4H2 | C_FMT_42H |
| 5H2 | C_FMT_52H |
| 4W2 | C_FMT_42W |
| 5W2 | C_FMT_52W |
| 4H4 | C_FMT_44H |
| 4H3 | C_FMT_43H |
| 5H4 | C_FMT_54H |
| 5H3 | C_FMT_53H |
| 4W4 | C_FMT_44W |
| 4W3 | C_FMT_43W |
| 5W4 | C_FMT_54W |
| 5W3 | C_FMT_53W |
| 11 | C_FMT_11 |

Debug Mode

FL Display

| | | | | | | | | | | | | |
|---|---|----|---|----|----|----|----|---|----|----|----|----|
| 2 | : | 18 | : | 19 | 19 | 19 | 19 | : | 20 | 20 | 20 | 20 |
|---|---|----|---|----|----|----|----|---|----|----|----|----|

18. Audio output OK/NG

| | |
|---|-----------|
| O | decode OK |
| X | decode NG |

19. Details of input format

| | |
|------|------------------|
| ANA | C_SRC_ANA |
| PCM | C_SRC_PCM |
| DLB | C_SRC_DD |
| DEX | C_SRC_DD_EX |
| DTS | C_SRC_DTS |
| MTR | C_SRC_DTS_MTR |
| DSC | C_SRC_DTS_DSC |
| D96 | C_SRC_DTS_96 |
| 96M | C_SRC_DTS_96M |
| AAC | C_SRC_AAC |
| MCH | C_SRC_MCH |
| DSP | C_SRC_DSP |
| MPCM | C_SRC_MCHPCM |
| DSD | C_SRC_DSD |
| TRUE | C_SRC_TRUE |
| TREX | C_SRC_TRUE_EX |
| MSTR | C_SRC_MSTR |
| PLUS | C_SRC_DDPLUS |
| PLEX | C_SRC_DDPLUS_EX |
| EXP | C_SRC_DTSEXP |
| DTSH | C_SRC_DTSHD |
| DSUR | C_SRC_DD_SUR |
| DPSR | C_SRC_DDPLUS_SUR |
| TRSR | C_SRC_TRUE_SUR |

20. Details of the format for the FL display

| | |
|------|------------------|
| ANA | C_SRC_ANA |
| PCM | C_SRC_PCM |
| DLB | C_SRC_DD |
| DEX | C_SRC_DD_EX |
| DTS | C_SRC_DTS |
| MTR | C_SRC_DTS_MTR |
| DSC | C_SRC_DTS_DSC |
| D96 | C_SRC_DTS_96 |
| 96M | C_SRC_DTS_96M |
| AAC | C_SRC_AAC |
| MCH | C_SRC_MCH |
| DSP | C_SRC_DSP |
| MPCM | C_SRC_MCHPCM |
| DSD | C_SRC_DSD |
| TRUE | C_SRC_TRUE |
| TREX | C_SRC_TRUE_EX |
| MSTR | C_SRC_MSTR |
| PLUS | C_SRC_DDPLUS |
| PLEX | C_SRC_DDPLUS_EX |
| EXP | C_SRC_DTSEXP |
| DTSH | C_SRC_DTSHD |
| DSUR | C_SRC_DD_SUR |
| DPSR | C_SRC_DDPLUS_SUR |
| TRSR | C_SRC_TRUE_SUR |

Appendix

FL Display

| | | | | | | | | | | | | |
|----|----|---|----|---|----|---|----|----|----|---|----|----|
| 21 | 21 | : | 22 | : | 23 | : | 24 | 24 | 24 | : | 25 | 25 |
|----|----|---|----|---|----|---|----|----|----|---|----|----|

21. Dialog norm

Dialog norm value from 0 to 31

22. Return value of DIRINIT request dir (DDC_STATUS)

| | |
|---|--------|
| O | LOCK |
| X | UNLOCK |

23. Return value of DIR busy or free Request_dir (DDC_BUSY)

| | |
|---|------|
| F | Free |
| B | Busy |

24. emphasis of information

| | |
|-----|-----|
| ON | ON |
| OFF | OFF |

25. HDDVD/BLUE(only DDPLUS)

| | |
|----|---------|
| BD | Blu-ray |
| HD | HDDVD |

FL Display

| | | | | | | | | | | | | | |
|----|----|----|----|----|---|----|---|----|----|----|----|----|----|
| 26 | 26 | 27 | 27 | 28 | * | 29 | * | 30 | 30 | 31 | 31 | 32 | 32 |
|----|----|----|----|----|---|----|---|----|----|----|----|----|----|

| | | | | | | | |
|--|--------------------|---------------------------------------|-------------------------|--------------------------------|--|--|--|
| 26. Audio IF DA830 input | | | | 30. DIR sequence number | | | |
| IH | AUD_IF_I2S_H | 00 | SEQ_DIG_POWEROFF | | | | |
| DS | AUD_IF_DSD | 10 | SEQ_DIG_RESET | | | | |
| IS | AUD_IF_I2S | 11 | SEQ_DIG_POWERON_WAIT | | | | |
| NT | AUD_IF_NET | 12 | SEQ_DIG_RESTART | | | | |
| SP | AUD_IF_SPDIF | 13 | SEQ_DIG_WAIT_HDMI_FREE | | | | |
| AD | AUD_IF_ADC | 20 | SEQ_DIG_INPSEL_SET | | | | |
| HR | AUD_IF_DDDTSHR | 30 | SEQ_DIG_ANALOG_SET | | | | |
| 27. Information of DIR Burst Preamble | | | | 31 SEQ_DIG_DIGITAL_SET | | | |
| DS | DTSHD HR | 32 | SEQ_DIG_MCHPCM_SET | | | | |
| DP | DD PLUS | 33 | SEQ_DIG_MCHANA_SET | | | | |
| Preamble Val | 0x?? | 34 | SEQ_DIG_DDPDTSHD_SET | | | | |
| 28. DIR Free or Busy | | | | 35 SEQ_DIG_NET_SET | | | |
| F | Free | 40 | SEQ_DIG_INIT_ERROR | | | | |
| B | Busy | 41 | SEQ_DIG_CHK_ERROR1 | | | | |
| 29. DIR Detect Fs | | | | 42 SEQ_DIG_CHK_ERROR2 | | | |
| 00 | CLOCK_FREQ_UNKNOWN | 43 | SEQ_DIG_CHK_FREE | | | | |
| 01 | CLOCK_FREQ_8K | 50 | SEQ_DIG_CHK_ANALOG | | | | |
| 02 | CLOCK_FREQ_11K | 60 | SEQ_DIG_LOCK_PLL | | | | |
| 03 | CLOCK_FREQ_12K | 61 | SEQ_DIG_LOCK_ANA | | | | |
| 04 | CLOCK_FREQ_16K | F0 | SEQ_DIG_FREE | | | | |
| 05 | CLOCK_FREQ_22K | f1 | SEQ_DIG_FREE_ANA | | | | |
| 06 | CLOCK_FREQ_24K | 31. DIR switch sequence number | | | | | |
| 07 | CLOCK_FREQ_32K | 00 | SEQ_SWITCH_POWEROFF | | | | |
| 08 | CLOCK_FREQ_44K | 01 | SEQ_SWITCH_RESET | | | | |
| 09 | CLOCK_FREQ_48K | 02 | SEQ_SWITCH_POWERON_WAIT | | | | |
| 0A | CLOCK_FREQ_64K | 03 | SEQ_SWITCH_CHANGE | | | | |
| 0B | CLOCK_FREQ_88K | 04 | SEQ_SWITCH_FREE | | | | |
| 0C | CLOCK_FREQ_96K | 32. DAC sequence number | | | | | |
| 0D | CLOCK_FREQ_128K | 00 | SEQ_DAC_POWEROFF | | | | |
| 0E | CLOCK_FREQ_176K | 01 | SEQ_DAC_RESET | | | | |
| 0F | CLOCK_FREQ_192K | 02 | SEQ_DAC_POWERON_WAIT | | | | |
| | | 03 | SEQ_DAC_INITIALIZE | | | | |
| | | 04 | SEQ_DAC_RESTART | | | | |
| | | 05 | SEQ_DAC_CMND_SET | | | | |
| | | 06 | SEQ_DAC_FREE_WAIT | | | | |
| | | 07 | SEQ_DAC_FREE | | | | |

FL Display

| | | | | | | | | | | | |
|----|----|----|----|----|----|----|----|----|----|----|----|
| 33 | 33 | 33 | 34 | 34 | 34 | 35 | 35 | 35 | 36 | 36 | 36 |
|----|----|----|----|----|----|----|----|----|----|----|----|

| | | | | | | | |
|---|--------------|--|---------------------|---|--|--|--|
| 33. Information of the input FS of DA830 | | | | 35. Information of the input MCLK of DA830 | | | |
| UNK | C_FS_UNKNOWN | 64 | AUD_MCLK_64Fs | | | | |
| 8 | C_FS_08 | 128 | AUD_MCLK_128Fs | | | | |
| 11 | C_FS_11 | 256 | AUD_MCLK_256Fs | | | | |
| 12 | C_FS_12 | 384 | AUD_MCLK_384Fs | | | | |
| 16 | C_FS_16 | 512 | AUD_MCLK_512Fs | | | | |
| 22 | C_FS_22 | 640 | AUD_MCLK_640Fs | | | | |
| 24 | C_FS_24 | 768 | AUD_MCLK_768Fs | | | | |
| 32 | C_FS_32 | 36. State of the audio input of DA830 | | | | | |
| 44 | C_FS_44 | NO | AUD_STS_SOUND_NO | | | | |
| 48 | C_FS_48 | TRS | AUD_STS_SOUND_TRANS | | | | |
| 64 | C_FS_64 | STB | AUD_STS_SOUND_STAB | | | | |
| 88 | C_FS_88 | 34. Information of the output FS of DA830 | | | | | |
| 96 | C_FS_96 | UNK | C_FS_UNKNOWN | | | | |
| 176 | C_FS_176 | 8 | C_FS_08 | | | | |
| 192 | C_FS_192 | 11 | C_FS_11 | | | | |
| | | 12 | C_FS_12 | | | | |
| | | 16 | C_FS_16 | | | | |
| | | 22 | C_FS_22 | | | | |
| | | 24 | C_FS_24 | | | | |
| | | 32 | C_FS_32 | | | | |
| | | 44 | C_FS_44 | | | | |
| | | 48 | C_FS_48 | | | | |
| | | 64 | C_FS_64 | | | | |
| | | 88 | C_FS_88 | | | | |
| | | 96 | C_FS_96 | | | | |
| | | 176 | C_FS_176 | | | | |
| | | 192 | C_FS_192 | | | | |

Debug Mode

HDMI resolution display

HDMI-related operations can be checked to some extent by displaying HDMI resolution display mode.

How to enter to this mode

Step1 : [ENTER] Hold down for 3 seconds

The display order

Display of the input signal

Step1 : Display of the input signal (for 5 seconds)

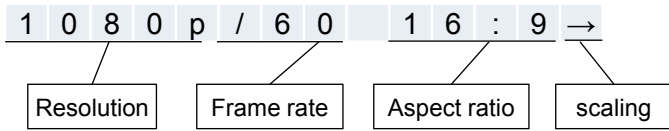


Step2 : Display of the output signal (for 5 seconds)

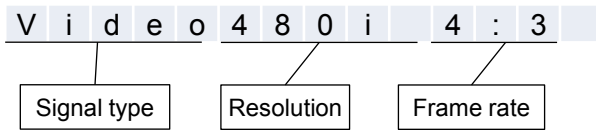
Debug Mode

Display of the input signal

Digital



Analog

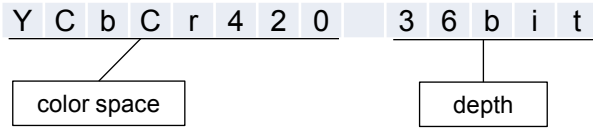


| Input signal | Display |
|----------------------------|----------------------------------|
| • DVI | 4 8 0 I / 6 0 1 6 : 9 |
| | 4 8 0 P / 6 0 4 : 3 |
| • VGA(DVI) | * V G A / 5 9 4 : 3 |
| • Pixel Repetition | Pixel Rep. 2: D (Except 480i) |
| | Pixel Rep. 4: Q |
| | Pixel Rep. 8: O |
| • CVBS | V i d e o 4 8 0 i 4 : 3 |
| • Component | C M P 5 7 6 i 1 6 : 9 |
| • 21:9 (Pixel AR ≠ 1:1) | 1 0 8 0 p / 6 0 2 1 : 9 |
| • 21:9 (Pixel AR = 1:1) | 1 0 8 0 w / 6 0 2 1 : 9 |
| • LTE TMD5 Clock340MHz | 1 0 8 0 p / 6 0 S 1 6 : 9 |
| • No input | U n k n o w n |

Debug Mode

Display of the output signal

Output resolution



Output resolution (4k scaling)

4 K 6 0 p 4 2 0 3 0 b i t

Output resolution (dawn scaling)

1 0 8 0 p 4 2 2 2 4 b i t

Output resolution (IP converter)

4 8 0 p 4 4 4 2 4 b i t

| Output signal | Display |
|------------------------------|---------------------------|
| • RSEN OFF | RGB 48 b * |
| • EDID_READ_NG | DVI 24 b # |
| • Resolution Error | YCbCr 444 48 b E |
| • DVIの場合 | DVI 24 b i t |
| • No output | - - - - - |
| • 4096 x 2160p | 4 K 6 0 p RGB # 2 4 b i t |
| • LTE340MHz | RGB 24 b S |
| • Signal generate | 4 8 0 p RGB Gen |
| • Cannot detect the hot-plug | OFF |

Service Information Mode

Service Information Mode

Displaying Service information

This service information display system is helpful in analyze the status when the unit goes into Protect mode and is powered off. Pay attention that the status will change if a button is pushed.

How to enter to service information mode.

Step1 : Set the volume level as 25.

Step2 : [TONE+] + [ON/STANDBY] x 2

M1.xx / xxxxxALA

The version of main microprocessor.
(displayed only for 3 seconds)

Step3 : [SETUP]

- 80 F 27 DD

Power off Cause
T : Thermal Protect
V : Voltage Protect
I : Current Protect
- : Other

Temperature
: xx F or xx C

Volume Level

Listening Mode
Please see the "Listening Mode
code list" on the right.

Step4 : [SETUP]

01: 23

10h

Information Displayed
(Record this Information)

Time after Power on
xx : xx

Time after Power on
xx : xx

To exit the service information mode.

[ON/STANDBY]

Protect Data CLR



Normal display

(REF.: To initialize the data in the service information.)

[RETURN]

Listening Mode Code List

| | |
|----|-------------------|
| 01 | C_LM_LAST |
| 02 | C_LM_PURE |
| 03 | C_LM_DIRECT |
| 04 | C_LM_STEREO |
| 05 | C_LM_MONO |
| 20 | C_LM_SURR |
| 50 | C_LM_THX_MUSIC |
| 70 | C_LM_THX_GAME |
| 90 | C_LM_THX_CINEMA |
| A0 | C_LM_THX_U2GAME |
| A8 | C_LM_THX_U2MUSIC |
| B0 | C_LM_THX_U2CINEMA |
| D0 | C_LM_AUDYSSEY |
| 48 | C_LM_DTSSS |
| 06 | C_LM_ORCHESTRA |
| 07 | C_LM_UNPLUGGED |
| 08 | C_LM_STUDIOMIX |
| 09 | C_LM_TVLOGIC |
| 0A | C_LM_ALLCHST |
| 0B | C_LM_FULLMONO |
| 0C | C_LM_TD |
| F1 | C_LM_TESTTONE |
| F2 | C_LM_TESTTHR |
| F3 | C_LM_TESTAUTO |
| F4 | C_LM_ASC |
| F5 | C_LM_FLASH |
| F6 | C_LM_DEBUGMODE |
| F7 | C_LM_FLASH2 |
| F8 | C_LM_FLASH3 |
| F9 | C_LM_FLASH4 |
| FA | C_LM_FLASH_CHECK |
| 0D | C_LM_RPG |
| 0E | C_LM_ACTION |
| 0F | C_LM_ROCKBAND |
| 10 | C_LM_SPORTS |

HT-R494_C(B)MDC

<Note>

Parts marked by "NSP" are generally unavailable because they are not in our Master Spare Parts List.

NOTE : THE COMPONENTS IDENTIFIED BY THE MARK ! ARE CRITICAL FOR RISK OF FIRE AND ELECTRIC SHOCK. REPLACE ONLY WITH PART NUMBER SPECIFIED.

<Notes>

(B) : Black color model

<MDC> : 120V

Canadian/USA/(Mexico) model

NSP

HT-R494_C(B)MDC

EXPLODED VIEW PARTS LIST

| REF. NO. | PART NAME | DESCRIPTION | Q'TY | PART NO. (SN) | REMARKS |
|-------------------------|------------|-------------|------|---------------|---------|
| [SEMI CONDUCTOR] | | | | | |
| Q6050 | TRANSISTOR | 2SC5198-O | 1 | 2203063 | |
| Q6050 or | TRANSISTOR | 2SC4468-O | (1) | 2202523 | |
| Q6050 or | TRANSISTOR | 2SC4468-P | (1) | 2202526 | |
| Q6050 or | TRANSISTOR | 2SC5198-R | (1) | 2203062 | |
| Q6051 | TRANSISTOR | 2SC5198-O | 1 | 2203063 | |
| Q6051 or | TRANSISTOR | 2SC4468-O | (1) | 2202523 | |
| Q6051 or | TRANSISTOR | 2SC4468-P | (1) | 2202526 | |
| Q6051 or | TRANSISTOR | 2SC5198-R | (1) | 2203062 | |
| Q6052 | TRANSISTOR | 2SC5198-O | 1 | 2203063 | |
| Q6052 or | TRANSISTOR | 2SC4468-O | (1) | 2202523 | |
| Q6052 or | TRANSISTOR | 2SC4468-P | (1) | 2202526 | |
| Q6052 or | TRANSISTOR | 2SC5198-R | (1) | 2203062 | |
| Q6053 | TRANSISTOR | 2SC5198-O | 1 | 2203063 | |
| Q6053 or | TRANSISTOR | 2SC4468-O | (1) | 2202523 | |
| Q6053 or | TRANSISTOR | 2SC4468-P | (1) | 2202526 | |
| Q6053 or | TRANSISTOR | 2SC5198-R | (1) | 2203062 | |
| Q6054 | TRANSISTOR | 2SC5198-O | 1 | 2203063 | |
| Q6054 or | TRANSISTOR | 2SC4468-O | (1) | 2202523 | |
| Q6054 or | TRANSISTOR | 2SC4468-P | (1) | 2202526 | |
| Q6054 or | TRANSISTOR | 2SC5198-R | (1) | 2203062 | |
| Q6055 | TRANSISTOR | 2SC5198-O | 1 | 2203063 | |
| Q6055 or | TRANSISTOR | 2SC4468-O | (1) | 2202523 | |
| Q6055 or | TRANSISTOR | 2SC4468-P | (1) | 2202526 | |
| Q6055 or | TRANSISTOR | 2SC5198-R | (1) | 2203062 | |
| Q6056 | TRANSISTOR | 2SC5198-O | 1 | 2203063 | |
| Q6056 or | TRANSISTOR | 2SC4468-O | (1) | 2202523 | |
| Q6056 or | TRANSISTOR | 2SC4468-P | (1) | 2202526 | |
| Q6056 or | TRANSISTOR | 2SC5198-R | (1) | 2203062 | |
| Q6060 | TRANSISTOR | 2SA1941-O | 1 | 2203053 | |
| Q6060 or | TRANSISTOR | 2SA1695-O | (1) | 2202513 | |
| Q6060 or | TRANSISTOR | 2SA1695-P | (1) | 2202516 | |
| Q6060 or | TRANSISTOR | 2SA1941-R | (1) | 2203052 | |
| Q6061 | TRANSISTOR | 2SA1941-O | 1 | 2203053 | |
| Q6061 or | TRANSISTOR | 2SA1695-O | (1) | 2202513 | |
| Q6061 or | TRANSISTOR | 2SA1695-P | (1) | 2202516 | |
| Q6061 or | TRANSISTOR | 2SA1941-R | (1) | 2203052 | |
| Q6062 | TRANSISTOR | 2SA1941-O | 1 | 2203053 | |
| Q6062 or | TRANSISTOR | 2SA1695-O | (1) | 2202513 | |
| Q6062 or | TRANSISTOR | 2SA1695-P | (1) | 2202516 | |
| Q6062 or | TRANSISTOR | 2SA1941-R | (1) | 2203052 | |
| Q6063 | TRANSISTOR | 2SA1941-O | 1 | 2203053 | |
| Q6063 or | TRANSISTOR | 2SA1695-O | (1) | 2202513 | |
| Q6063 or | TRANSISTOR | 2SA1695-P | (1) | 2202516 | |
| Q6063 or | TRANSISTOR | 2SA1941-R | (1) | 2203052 | |
| Q6064 | TRANSISTOR | 2SA1941-O | 1 | 2203053 | |
| Q6064 or | TRANSISTOR | 2SA1695-O | (1) | 2202513 | |
| Q6064 or | TRANSISTOR | 2SA1695-P | (1) | 2202516 | |
| Q6064 or | TRANSISTOR | 2SA1941-R | (1) | 2203052 | |
| Q6065 | TRANSISTOR | 2SA1941-O | 1 | 2203053 | |
| Q6065 or | TRANSISTOR | 2SA1695-O | (1) | 2202513 | |
| Q6065 or | TRANSISTOR | 2SA1695-P | (1) | 2202516 | |
| Q6065 or | TRANSISTOR | 2SA1941-R | (1) | 2203052 | |
| Q6066 | TRANSISTOR | 2SA1941-O | 1 | 2203053 | |

| | | | | | |
|------------------------|---------------------------------|---------------------------------|----------|--------------------|------------|
| Q6066 or | TRANSISTOR | 2SA1695-O | (1) | 2202513 | |
| Q6066 or | TRANSISTOR | 2SA1695-P | (1) | 2202516 | |
| Q6066 or | TRANSISTOR | 2SA1941-R | (1) | 2203052 | |
| [CHASSIS SCREW] | | | | | |
| A002 | BOTTOM LEG | phi48(313) | 4 | 27175472 | |
| A003 | CUSHION | (ZUL) phi20 x phi8 | 4 | 28141900 | |
| A101 | REAR PANEL | HTR494MDC | 1 | 27124643A | N |
| [CABINET] | | | | | |
| A201 | FRONT PANEL | HTR494(B) | 1 | 27213762 | N |
| A202 | CLEAR PLATE | HTR494(B)MDC | 1 | 28192447 | |
| A203 | BADGE | LABEL | 1 | 28135323 | N |
| A204 | KNOB | (TONE)TXSR343(B)_3 | 1 | 28327200 | |
| A205 | KNOB | (MU)TXSR343(B)_1 | 1 | 28327202 | |
| A206 | KNOB | (INP)TXSR343(B) | 1 | 28327194 | |
| A207 | KNOB | (SEL)TXSR343(B) | 1 | 28327196A | N |
| A208 | KNOB | (MODE)TXSR343(B) | 1 | 28327198A | |
| A209 | KNOB | (STBY)(B) | 1 | 28327234 | |
| A209 or | KNOB | (STBY)(B) | (1) | 28326904 | |
| A210 | KNOB | (CUR) | 1 | 28326907B | |
| A211 | KNOB | (VOL)AS_TXSR343(B) | 1 | 28327192 | |
| A401 | COVER | 343/444(B) (Bent) | 1 | 28210142A | |
| A401 | COVER | 343/444(B) (Not Bent) | 1 | 28210142AZ | |
| A403 | LABEL | (CAUTION) | 1 | 29392531 | |
| [TRANS COIL] | | | | | |
| T901 | POWER TRANSFORMER | NPT-1656D | 1 | 2302131 | ! |
| [SW TRM] | | | | | |
| F6401 | FUSE | 10A-UL/T-233 | 1 | 252330GR | ! |
| F6401 or | FUSE | 10A-T/UL-ST2 | (1) | 252333GR | ! |
| F6402 | FUSE | 10A-UL/T-233 | 1 | 252330GR | ! |
| F6402 or | FUSE | 10A-T/UL-ST2 | (1) | 252333GR | ! |
| F9001 | FUSE | 8A-UL/T-233 | 1 | 252329GR | ! |
| F9001E | LABEL | 8A/125V | 1 | 29360842 | |
| P101 | FLEXIBLE FLAT CABLE | NCFC7-071012 | 1 | 2047071012 | |
| P2800 | FLEXIBLE FLAT CABLE | NCFC5-231012 | 1 | 2045231012 | |
| P7001 | FLEXIBLE FLAT CABLE | NCFC5-232512 | 1 | 2045232512 | |
| P8001 | FLEXIBLE FLAT CABLE | NCFC5-231012 | 1 | 2045231012 | |
| P8002 | FLEXIBLE FLAT CABLE | NCFC5-171012 | 1 | 2045171012 | |
| P9001 | POWER SUPPLY CORD | AS-UC-2 | 1 | 253368AYUN | ! |
| P9001 or | POWER SUPPLY CORD | AS-UC-2 | (1) | 253368BLTK | ! |
| [TUNER UNIT] | | | | | |
| U001 | PARENT PC BOARD AS | BAAF-1712-1G * (Parent) | 1 | 1B303512-1G | MDC |
| BAAF-1712 | ASP/ AMP PC BOARD AS | BAAF-1712-1G (Child) | 1 | 1B3035712-1G | |
| BAETC-1713 | THERMAL SENSOR PC BOARD AS | BAETC-1713-1G (Child) | 1 | 1B3035713-1G | |
| BAETC-1714 | SPASER(SENSOR) PC BOARD AS | BAETC-1714-1G (Child) | 1 | 1B3035714-1G | |
| BAETC-1715 | PHONE JACK PC BOARD AS | BAETC-1715-1G (Child) | 1 | 1B3035715-1G | |
| U002 | PARENT PC BOARD AS | BADIS-1732-1A * (Parent) | 1 | 1B303532-1A | MDC |
| BADIS-1732 | DISPLAY PC BOARD AS | BADIS-1732-1A (Child) | 1 | 1B3035732-1A | |
| BACLA-1734 | VOLTAGE AMP PC BOARD AS | BACLA-1734-1A (Child) | 1 | 1B3035734-1A | |
| BAVD-1735 | VIDEO/ OPT TERMINAL PC BOARD AS | BAVD-1735-1A (Child) | 1 | 1B3035735-1A | |
| BAETC-1736 | HOLDER PC BOARD AS | BAETC-1736-1A (Child) | 1 | 1B3035736-1A | |
| BAPS-1737 | POWER SUPPLY(PRI) PC BOARD AS | BAPS-1737-1A (Child) | 1 | 1B3035737-1A | |
| BARF-1738 | TUNER PC BOARD AS | BARF-1738-1A (Child) | 1 | 1B3035738-1A | |
| U004 | PARENT PC BOARD AS | BAPRC-1758-1D * (Parent) | 1 | 1B303558-1D | MDC |
| BAPRC-1758 | PROCESSOR PC BOARD AS | BAPRC-1758-1D (Child) | 1 | 1B3035758-1D | |
| U005 | PARENT PC BOARD AS | BARF-1764-1A * (Parent) | 1 | 1B303564-1A | MDC |
| BARF-1764 | BLUETOOTH MODULE PC BOARD AS | BARF-1764-1A (Child) | 1 | 1B3035764-1A | |
| U002A | SHIELD CASE | (TUNER-TOP) | 1 | 27225206A | |
| U002B | SHIELD CASE | (TUNER-BTM) | 1 | 27225207A | |

HT-R494_C(B)MDC

PACKING PROCEDURES PARTS LIST

| REF. NO. | PART NAME | DESCRIPTION | Q'TY | PART NO. (SN) | REMARKS |
|------------------|-----------|----------------------|-------|---------------|---------|
| [PACKING] | | | | | |
| A601 | PAD | (AS)HTS5800 | 1 | 29092706A | N |
| A601A | PAD | (L)HTS5800 | { 1 } | 29092707A | N |
| A601B | PAD | (R)HTS5800 | { 1 } | 29092708A | N |
| A602 | BAG | (650 x 600 x 0.515) | 1 | 29100267 | |
| A603 | TAPE | (SEROHAN)NITTO NO.29 | 1 | 29110149 | |
| A703A | LABEL | (DES)HTR494MDC | { 1 } | 29392723 | N |

HT-R494_C(B)MDC

PC BOARD PARTS LIST

U001

BAAF-1712-1G

: NSP

| CIRCUIT NC | PART NAME | DESCRIPTION | Q'TY | PART NO. (SN) | REMARKS |
|-------------------------|-----------------|-------------|------|---------------|---------|
| [SEMI CONDUCTOR] | | | | | |
| D4173 | ZENER DIODE | DZ2J068M0L | 1 | 224760680R2 | |
| D4173 or | ZENER DIODE | UDZS6.8B | (1) | 224550680R2 | |
| D4174 | ZENER DIODE | DZ2J068M0L | 1 | 224760680R2 | |
| D4174 or | ZENER DIODE | UDZS6.8B | (1) | 224550680R2 | |
| D4209 | CHIP TYPE DIODE | DA2J10100 | 1 | 223303R2 | |
| D4209 or | CHIP TYPE DIODE | 1SS352 | (1) | 223234R2 | |
| D4219 | CHIP TYPE DIODE | DA2J10100 | 1 | 223303R2 | |
| D4219 or | CHIP TYPE DIODE | 1SS352 | (1) | 223234R2 | |
| D4300 | DIODE | RL1N4003 | 1 | 22380260T | |
| D4301 | DIODE | RL1N4003 | 1 | 22380260T | |
| D4302 | DIODE | RL1N4003 | 1 | 22380260T | |
| D4303 | DIODE | RL1N4003 | 1 | 22380260T | |
| D4304 | CHIP TYPE DIODE | DA2J10100 | 1 | 223303R2 | |
| D4304 or | CHIP TYPE DIODE | 1SS352 | (1) | 223234R2 | |
| D4305 | CHIP TYPE DIODE | DA2J10100 | 1 | 223303R2 | |
| D4305 or | CHIP TYPE DIODE | 1SS352 | (1) | 223234R2 | |
| D5003 | ZENER DIODE | DZ2J056M0L | 1 | 224760560R2 | |
| D5003 or | ZENER DIODE | UDZS5.6B | (1) | 224550560R2 | |
| D5004 | ZENER DIODE | DZ2J056M0L | 1 | 224760560R2 | |
| D5004 or | ZENER DIODE | UDZS5.6B | (1) | 224550560R2 | |
| D5005 | ZENER DIODE | DZ2J056M0L | 1 | 224760560R2 | |
| D5005 or | ZENER DIODE | UDZS5.6B | (1) | 224550560R2 | |
| D5006 | ZENER DIODE | DZ2J056M0L | 1 | 224760560R2 | |
| D5006 or | ZENER DIODE | UDZS5.6B | (1) | 224550560R2 | |
| D6000 | CHIP TYPE DIODE | DA2J10100 | 1 | 223303R2 | |
| D6000 or | CHIP TYPE DIODE | 1SS352 | (1) | 223234R2 | |
| D6001 | CHIP TYPE DIODE | DA2J10100 | 1 | 223303R2 | |
| D6001 or | CHIP TYPE DIODE | 1SS352 | (1) | 223234R2 | |
| D6002 | CHIP TYPE DIODE | DA2J10100 | 1 | 223303R2 | |
| D6002 or | CHIP TYPE DIODE | 1SS352 | (1) | 223234R2 | |
| D6003 | CHIP TYPE DIODE | DA2J10100 | 1 | 223303R2 | |
| D6003 or | CHIP TYPE DIODE | 1SS352 | (1) | 223234R2 | |
| D6004 | CHIP TYPE DIODE | DA2J10100 | 1 | 223303R2 | |
| D6004 or | CHIP TYPE DIODE | 1SS352 | (1) | 223234R2 | |
| D6005 | CHIP TYPE DIODE | DA2J10100 | 1 | 223303R2 | |
| D6005 or | CHIP TYPE DIODE | 1SS352 | (1) | 223234R2 | |
| D6006 | CHIP TYPE DIODE | DA2J10100 | 1 | 223303R2 | |
| D6006 or | CHIP TYPE DIODE | 1SS352 | (1) | 223234R2 | |
| D6010 | CHIP TYPE DIODE | DA2J10100 | 1 | 223303R2 | |
| D6010 or | CHIP TYPE DIODE | 1SS352 | (1) | 223234R2 | |
| D6011 | CHIP TYPE DIODE | DA2J10100 | 1 | 223303R2 | |
| D6011 or | CHIP TYPE DIODE | 1SS352 | (1) | 223234R2 | |
| D6012 | CHIP TYPE DIODE | DA2J10100 | 1 | 223303R2 | |
| D6012 or | CHIP TYPE DIODE | 1SS352 | (1) | 223234R2 | |
| D6013 | CHIP TYPE DIODE | DA2J10100 | 1 | 223303R2 | |
| D6013 or | CHIP TYPE DIODE | 1SS352 | (1) | 223234R2 | |
| D6014 | CHIP TYPE DIODE | DA2J10100 | 1 | 223303R2 | |
| D6014 or | CHIP TYPE DIODE | 1SS352 | (1) | 223234R2 | |
| D6015 | CHIP TYPE DIODE | DA2J10100 | 1 | 223303R2 | |
| D6015 or | CHIP TYPE DIODE | 1SS352 | (1) | 223234R2 | |
| D6016 | CHIP TYPE DIODE | DA2J10100 | 1 | 223303R2 | |
| D6016 or | CHIP TYPE DIODE | 1SS352 | (1) | 223234R2 | |
| D6020 | CHIP TYPE DIODE | DA2J10100 | 1 | 223303R2 | |
| D6020 or | CHIP TYPE DIODE | 1SS352 | (1) | 223234R2 | |
| D6021 | CHIP TYPE DIODE | DA2J10100 | 1 | 223303R2 | |
| D6021 or | CHIP TYPE DIODE | 1SS352 | (1) | 223234R2 | |
| D6022 | CHIP TYPE DIODE | DA2J10100 | 1 | 223303R2 | |
| D6022 or | CHIP TYPE DIODE | 1SS352 | (1) | 223234R2 | |
| D6023 | CHIP TYPE DIODE | DA2J10100 | 1 | 223303R2 | |
| D6023 or | CHIP TYPE DIODE | 1SS352 | (1) | 223234R2 | |

| | | | | |
|----------|-----------------|---------------------|-----|--------------|
| D6024 | CHIP TYPE DIODE | DA2J10100 | 1 | 223303R2 |
| D6024 or | CHIP TYPE DIODE | 1SS352 | (1) | 223234R2 |
| D6025 | CHIP TYPE DIODE | DA2J10100 | 1 | 223303R2 |
| D6025 or | CHIP TYPE DIODE | 1SS352 | (1) | 223234R2 |
| D6026 | CHIP TYPE DIODE | DA2J10100 | 1 | 223303R2 |
| D6026 or | CHIP TYPE DIODE | 1SS352 | (1) | 223234R2 |
| D6401 | DIODE | TS10B06G-07 | 1 | 22380379 |
| D6401A | HEAT SINK | RAD-196 | 1 | 27160545 |
| D6402 | CHIP TYPE DIODE | DA2J10100 | 1 | 223303R2 |
| D6402 or | CHIP TYPE DIODE | 1SS352 | (1) | 223234R2 |
| D6451 | CHIP TYPE DIODE | DA2J10100 | 1 | 223303R2 |
| D6451 or | CHIP TYPE DIODE | 1SS352 | (1) | 223234R2 |
| D6452 | CHIP TYPE DIODE | DA2J10100 | 1 | 223303R2 |
| D6452 or | CHIP TYPE DIODE | 1SS352 | (1) | 223234R2 |
| D6453 | ZENER DIODE | DZ2J036M0L | 1 | 224760360R2 |
| D6453 or | ZENER DIODE | UDZS3.6B | (1) | 224550360R2 |
| D6454 | CHIP TYPE DIODE | DA2J10100 | 1 | 223303R2 |
| D6454 or | CHIP TYPE DIODE | 1SS352 | (1) | 223234R2 |
| D6455 | ZENER DIODE | DZ2J033M0L | 1 | 224760330R2 |
| D6455 or | ZENER DIODE | UDZS3.3B | (1) | 224550330R2 |
| D6459 | CHIP TYPE DIODE | DA2J10100 | 1 | 223303R2 |
| D6459 or | CHIP TYPE DIODE | 1SS352 | (1) | 223234R2 |
| D6600 | CHIP TYPE DIODE | DA2J10100 | 1 | 223303R2 |
| D6600 or | CHIP TYPE DIODE | 1SS352 | (1) | 223234R2 |
| D6601 | CHIP TYPE DIODE | DA2J10100 | 1 | 223303R2 |
| D6601 or | CHIP TYPE DIODE | 1SS352 | (1) | 223234R2 |
| D6603 | CHIP TYPE DIODE | DA2J10100 | 1 | 223303R2 |
| D6603 or | CHIP TYPE DIODE | 1SS352 | (1) | 223234R2 |
| Q1700 | HYBRID IC | NJM4580CG | 1 | 22242922R2 |
| Q1702 | HYBRID IC | NJM4580CG | 1 | 22242922R2 |
| Q1703 | HYBRID IC | NJM4580CG | 1 | 22242922R2 |
| Q1705 | HYBRID IC | NJM4580CG | 1 | 22242922R2 |
| Q4001 | HYBRID IC | NJW1298FU1 | 1 | 22242925R3 |
| Q4003 | HYBRID IC | NJM4580CG | 1 | 22242922R2 |
| Q4100 | TRANSISTOR | RTAN430C-T112-1 | 1 | 2217780R2 |
| Q4101 | TRANSISTOR | RTAN430C-T112-1 | 1 | 2217780R2 |
| Q4102 | TRANSISTOR | RTAN430C-T112-1 | 1 | 2217780R2 |
| Q4103 | TRANSISTOR | RTAN430C-T112-1 | 1 | 2217780R2 |
| Q4104 | TRANSISTOR | RTAN430C-T112-1 | 1 | 2217780R2 |
| Q4105 | TRANSISTOR | RTAN430C-T112-1 | 1 | 2217780R2 |
| Q4106 | TRANSISTOR | RTAN430C-T112-1 | 1 | 2217780R2 |
| Q4107 | TRANSISTOR | RTAN430C-T112-1 | 1 | 2217780R2 |
| Q4117 | TRANSISTOR | RTAN430C-T112-1 | 1 | 2217780R2 |
| Q4130 | HYBRID IC | NJM4580CG | 1 | 22242922R2 |
| Q4170 | HYBRID IC | 78M15HF(NJM78M15FA) | 1 | 222780155JRC |
| Q4170A | HEAT SINK | ME151025402170 | 1 | 27160692 |
| Q4171 | HYBRID IC | 79M15HF(NJM79M15FA) | 1 | 222790155JRC |
| Q4171A | HEAT SINK | ME151025402170 | 1 | 27160692 |
| Q5003 | TRANSISTOR | 2SC2713-BL | 1 | 2213136R2 |
| Q5004 | TRANSISTOR | 2SC2713-BL | 1 | 2213136R2 |
| Q5005 | TRANSISTOR | 2SC2713-BL | 1 | 2213136R2 |
| Q5006 | TRANSISTOR | 2SC2713-BL | 1 | 2213136R2 |
| Q5013 | TRANSISTOR | 2SC2713-BL | 1 | 2213136R2 |
| Q5014 | TRANSISTOR | 2SC2713-BL | 1 | 2213136R2 |
| Q5015 | TRANSISTOR | 2SC2713-BL | 1 | 2213136R2 |
| Q5016 | TRANSISTOR | 2SC2713-BL | 1 | 2213136R2 |
| Q5033 | TRANSISTOR | INA6006AP1-T111 | 1 | 2217980R2 |
| Q5034 | TRANSISTOR | INA6006AP1-T111 | 1 | 2217980R2 |
| Q5035 | TRANSISTOR | INA6006AP1-T111 | 1 | 2217980R2 |
| Q5036 | TRANSISTOR | INA6006AP1-T111 | 1 | 2217980R2 |
| Q5043 | TRANSISTOR | INC6006AP1-T111 | 1 | 2217990R2 |
| Q5044 | TRANSISTOR | INC6006AP1-T111 | 1 | 2217990R2 |
| Q5045 | TRANSISTOR | INC6006AP1-T111 | 1 | 2217990R2 |
| Q5046 | TRANSISTOR | INC6006AP1-T111 | 1 | 2217990R2 |
| Q5053 | TRANSISTOR | 2SC2412K-R | 1 | 2214653R2 |
| Q5054 | TRANSISTOR | 2SC2412K-R | 1 | 2214653R2 |
| Q5055 | TRANSISTOR | 2SC2412K-R | 1 | 2214653R2 |

| | | | | | |
|--------------------|-----------------------------|---------------------|------|-------------|--|
| Q5056 | TRANSISTOR | 2SC2412K-R | 1 | 2214653R2 | |
| Q6000 | TRANSISTOR | 2SD2704K | 1 | 2218130R2 | |
| Q6001 | TRANSISTOR | 2SD2704K | 1 | 2218130R2 | |
| Q6002 | TRANSISTOR | 2SD2704K | 1 | 2218130R2 | |
| Q6003 | TRANSISTOR | 2SD2704K | 1 | 2218130R2 | |
| Q6004 | TRANSISTOR | 2SD2704K | 1 | 2218130R2 | |
| Q6005 | TRANSISTOR | 2SD2704K | 1 | 2218130R2 | |
| Q6006 | TRANSISTOR | 2SD2704K | 1 | 2218130R2 | |
| Q6013 | TRANSISTOR | 2SC2713-BL | 1 | 2213136R2 | |
| Q6014 | TRANSISTOR | 2SC2713-BL | 1 | 2213136R2 | |
| Q6015 | TRANSISTOR | 2SC2713-BL | 1 | 2213136R2 | |
| Q6016 | TRANSISTOR | 2SC2713-BL | 1 | 2213136R2 | |
| Q6023 | TRANSISTOR | 2SA1163-BL(TE85L_F) | 1 | 2216756R2 | |
| Q6024 | TRANSISTOR | 2SA1163-BL(TE85L_F) | 1 | 2216756R2 | |
| Q6025 | TRANSISTOR | 2SA1163-BL(TE85L_F) | 1 | 2216756R2 | |
| Q6026 | TRANSISTOR | 2SA1163-BL(TE85L_F) | 1 | 2216756R2 | |
| Q6033 | TRANSISTOR | TTC004B_Q(S) | 1 | 2218022 | |
| Q6034 | TRANSISTOR | TTC004B_Q(S) | 1 | 2218022 | |
| Q6035 | TRANSISTOR | TTC004B_Q(S) | 1 | 2218022 | |
| Q6036 | TRANSISTOR | TTC004B_Q(S) | 1 | 2218022 | |
| Q6043 | TRANSISTOR | TTA004B_Q(S) | 1 | 2218012 | |
| Q6044 | TRANSISTOR | TTA004B_Q(S) | 1 | 2218012 | |
| Q6045 | TRANSISTOR | TTA004B_Q(S) | 1 | 2218012 | |
| Q6046 | TRANSISTOR | TTA004B_Q(S) | 1 | 2218012 | |
| Q6070 | TRANSISTOR | 2SC2713-BL | 1 | 2213136R2 | |
| Q6071 | TRANSISTOR | 2SC2713-BL | 1 | 2213136R2 | |
| Q6072 | TRANSISTOR | 2SC2713-BL | 1 | 2213136R2 | |
| Q6073 | TRANSISTOR | 2SC2713-BL | 1 | 2213136R2 | |
| Q6074 | TRANSISTOR | 2SC2713-BL | 1 | 2213136R2 | |
| Q6075 | TRANSISTOR | 2SC2713-BL | 1 | 2213136R2 | |
| Q6076 | TRANSISTOR | 2SC2713-BL | 1 | 2213136R2 | |
| Q6300 | HYBRID IC | LM61CIZ | 1 | 22242212 | |
| Q6300A | RETAINER | (PTH) | 1 | 27141884-1 | |
| Q6401 | TRANSISTOR | KTC3875-GR | 1 | 2216175R2 | |
| Q6451 | TRANSISTOR | 2SC2713-BL | 1 | 2213136R2 | |
| Q6452 | TRANSISTOR | 2SC2713-BL | 1 | 2213136R2 | |
| Q6453 | TRANSISTOR | 2SA1163-BL(TE85L_F) | 1 | 2216756R2 | |
| Q6454 | TRANSISTOR | 2SA1163-BL(TE85L_F) | 1 | 2216756R2 | |
| Q6455 | TRANSISTOR | 2SC2713-BL | 1 | 2213136R2 | |
| Q6456 | TRANSISTOR | KRA102S | 1 | 2216220R2 | |
| Q6456 or | TRANSISTOR | DTA124EKA | (1) | 2216240R2 | |
| Q6600 | TRANSISTOR | KRC105S | 1 | 2217290R2 | |
| Q6601 | TRANSISTOR | KRC105S | 1 | 2217290R2 | |
| Q6602 | TRANSISTOR | KRC105S | 1 | 2217290R2 | |
| [CAPACITOR] | | | | | |
| C1700 | CHIP TYPE CERAMIC CAPACITOR | CC725CH1H-221J1 | 1 | 342102214R1 | |
| C1701 | CHIP TYPE CERAMIC CAPACITOR | CC725CH1H-221J1 | 1 | 342102214R1 | |
| C1702 | CHIP TYPE CERAMIC CAPACITOR | CC725CH1H-221J1 | 1 | 342102214R1 | |
| C1703 | CHIP TYPE CERAMIC CAPACITOR | CC725CH1H-221J1 | 1 | 342102214R1 | |
| C1704 | CHIP TYPE CERAMIC CAPACITOR | CC725CH1H-221J1 | 1 | 342102214R1 | |
| C1705 | CHIP TYPE CERAMIC CAPACITOR | CC725CH1H-221J1 | 1 | 342102214R1 | |
| C1706 | CHIP TYPE CERAMIC CAPACITOR | CC725CH1H-221J1 | 1 | 342102214R1 | |
| C1707 | CHIP TYPE CERAMIC CAPACITOR | CC725CH1H-221J1 | 1 | 342102214R1 | |
| C1710 | CHIP TYPE CERAMIC CAPACITOR | CC725CH1H-221J1 | 1 | 342102214R1 | |
| C1711 | CHIP TYPE CERAMIC CAPACITOR | CC725CH1H-221J1 | 1 | 342102214R1 | |
| C1712 | CHIP TYPE CERAMIC CAPACITOR | CC725CH1H-221J1 | 1 | 342102214R1 | |
| C1713 | CHIP TYPE CERAMIC CAPACITOR | CC725CH1H-221J1 | 1 | 342102214R1 | |
| C1714 | CHIP TYPE CERAMIC CAPACITOR | CC725CH1H-221J1 | 1 | 342102214R1 | |
| C1715 | CHIP TYPE CERAMIC CAPACITOR | CC725CH1H-221J1 | 1 | 342102214R1 | |
| C1716 | CHIP TYPE CERAMIC CAPACITOR | CC725CH1H-221J1 | 1 | 342102214R1 | |
| C1717 | CHIP TYPE CERAMIC CAPACITOR | CC725CH1H-221J1 | 1 | 342102214R1 | |
| C1720 | CHIP TYPE CERAMIC CAPACITOR | CC725CH1H-102J1 | 1 | 342101024R1 | |
| C1721 | CHIP TYPE CERAMIC CAPACITOR | CC725CH1H-102J1 | 1 | 342101024R1 | |
| C1722 | CHIP TYPE CERAMIC CAPACITOR | CC725CH1H-102J1 | 1 | 342101024R1 | |
| C1723 | CHIP TYPE CERAMIC CAPACITOR | CC725CH1H-102J1 | 1 | 342101024R1 | |
| C1724 | CHIP TYPE CERAMIC CAPACITOR | CC725CH1H-102J1 | 1 | 342101024R1 | |
| C1725 | CHIP TYPE CERAMIC CAPACITOR | CC725CH1H-102J1 | 1 | 342101024R1 | |

| | | | | |
|-------|-------------------------------------|---------------------|---|-------------|
| C4172 | UTSP TYPE ELECTROLYTIC CAPACITOR | CE04W50V-10M(UTSP) | 1 | 397581007AT |
| C4173 | UTSP TYPE ELECTROLYTIC CAPACITOR | CE04W50V-10M(UTSP) | 1 | 397581007AT |
| C4174 | UTSP TYPE ELECTROLYTIC CAPACITOR | CE04W10V-220M(UTSP) | 1 | 397532217AT |
| C4175 | UTSP TYPE ELECTROLYTIC CAPACITOR | CE04W10V-220M(UTSP) | 1 | 397532217AT |
| C4209 | UTSP TYPE ELECTROLYTIC CAPACITOR | CE04W25V-47M(UTSP) | 1 | 397554707AT |
| C4210 | UTSP TYPE ELECTROLYTIC CAPACITOR | CE04W25V-47M(UTSP) | 1 | 397554707AT |
| C4212 | TF TYPE PLASTIC FILM CAPACITOR | ECQ-V50V-104J | 1 | 374721044T |
| C4219 | CHIP TYPE CERAMIC CAPACITOR | CC725CH1H-102J1 | 1 | 342101024R1 |
| C4300 | TF TYPE PLASTIC FILM CAPACITOR | ECQ-V50V-334J | 1 | 374723344T |
| C4301 | JAMICON TYPE ELECTROLYTIC CAPACITOR | CE04W35V-470M | 1 | 398564717T |
| C4302 | JAMICON TYPE ELECTROLYTIC CAPACITOR | CE04W35V-470M | 1 | 398564717T |
| C4303 | TF TYPE PLASTIC FILM CAPACITOR | ECQ-V50V-334J | 1 | 374723344T |
| C4400 | CHIP TYPE CERAMIC CAPACITOR | CK725B1H-102K1 | 1 | 332101025R1 |
| C4401 | CHIP TYPE CERAMIC CAPACITOR | CK725B1H-102K1 | 1 | 332101025R1 |
| C5003 | UPZ TYPE PLASTIC FILM CAPACITOR | 2AUPZTF471JE | 1 | 376334714T |
| C5004 | UPZ TYPE PLASTIC FILM CAPACITOR | 2AUPZTF471JE | 1 | 376334714T |
| C5005 | UPZ TYPE PLASTIC FILM CAPACITOR | 2AUPZTF471JE | 1 | 376334714T |
| C5006 | UPZ TYPE PLASTIC FILM CAPACITOR | 2AUPZTF471JE | 1 | 376334714T |
| C5013 | UTSP TYPE ELECTROLYTIC CAPACITOR | CE04W50V 47M(UTSP) | 1 | 397584707AT |
| C5014 | UTSP TYPE ELECTROLYTIC CAPACITOR | CE04W50V 47M(UTSP) | 1 | 397584707AT |
| C5015 | UTSP TYPE ELECTROLYTIC CAPACITOR | CE04W50V 47M(UTSP) | 1 | 397584707AT |
| C5016 | UTSP TYPE ELECTROLYTIC CAPACITOR | CE04W50V 47M(UTSP) | 1 | 397584707AT |
| C5023 | UTSP TYPE ELECTROLYTIC CAPACITOR | CE04W50V-10M(UTSP) | 1 | 397581007AT |
| C5024 | UTSP TYPE ELECTROLYTIC CAPACITOR | CE04W50V-10M(UTSP) | 1 | 397581007AT |
| C5025 | UTSP TYPE ELECTROLYTIC CAPACITOR | CE04W50V-10M(UTSP) | 1 | 397581007AT |
| C5026 | UTSP TYPE ELECTROLYTIC CAPACITOR | CE04W50V-10M(UTSP) | 1 | 397581007AT |
| C5043 | UTSP TYPE ELECTROLYTIC CAPACITOR | CE04W25V-220M(UTSP) | 1 | 397552217T |
| C5044 | UTSP TYPE ELECTROLYTIC CAPACITOR | CE04W25V-220M(UTSP) | 1 | 397552217T |
| C5045 | UTSP TYPE ELECTROLYTIC CAPACITOR | CE04W25V-220M(UTSP) | 1 | 397552217T |
| C5046 | UTSP TYPE ELECTROLYTIC CAPACITOR | CE04W25V-220M(UTSP) | 1 | 397552217T |
| C5053 | UTSP TYPE ELECTROLYTIC CAPACITOR | CE04W50V 47M(UTSP) | 1 | 397584707AT |
| C5054 | UTSP TYPE ELECTROLYTIC CAPACITOR | CE04W50V 47M(UTSP) | 1 | 397584707AT |
| C5055 | UTSP TYPE ELECTROLYTIC CAPACITOR | CE04W50V 47M(UTSP) | 1 | 397584707AT |
| C5056 | UTSP TYPE ELECTROLYTIC CAPACITOR | CE04W50V 47M(UTSP) | 1 | 397584707AT |
| C5083 | CERAMIC CAPACITOR | CC45SL50V-040C | 1 | 345020401T |
| C5084 | CERAMIC CAPACITOR | CC45SL50V-040C | 1 | 345020401T |
| C5085 | CERAMIC CAPACITOR | CC45SL50V-040C | 1 | 345020401T |
| C5086 | CERAMIC CAPACITOR | CC45SL50V-040C | 1 | 345020401T |
| C5093 | UPZ TYPE PLASTIC FILM CAPACITOR | 2AUPZTF101JE | 1 | 376331014T |
| C5094 | UPZ TYPE PLASTIC FILM CAPACITOR | 2AUPZTF101JE | 1 | 376331014T |
| C5095 | UPZ TYPE PLASTIC FILM CAPACITOR | 2AUPZTF101JE | 1 | 376331014T |
| C5096 | UPZ TYPE PLASTIC FILM CAPACITOR | 2AUPZTF101JE | 1 | 376331014T |
| C5103 | VR TYPE ELECTROLYTIC CAPACITOR | CE04W100V-22M(VR) | 1 | 394692207T |
| C5104 | VR TYPE ELECTROLYTIC CAPACITOR | CE04W100V-22M(VR) | 1 | 394692207T |
| C5105 | VR TYPE ELECTROLYTIC CAPACITOR | CE04W100V-22M(VR) | 1 | 394692207T |
| C5106 | VR TYPE ELECTROLYTIC CAPACITOR | CE04W100V-22M(VR) | 1 | 394692207T |
| C5113 | VR TYPE ELECTROLYTIC CAPACITOR | CE04W100V-22M(VR) | 1 | 394692207T |
| C5114 | VR TYPE ELECTROLYTIC CAPACITOR | CE04W100V-22M(VR) | 1 | 394692207T |
| C5115 | VR TYPE ELECTROLYTIC CAPACITOR | CE04W100V-22M(VR) | 1 | 394692207T |
| C5116 | VR TYPE ELECTROLYTIC CAPACITOR | CE04W100V-22M(VR) | 1 | 394692207T |
| C6003 | CHIP TYPE CERAMIC CAPACITOR | CK725B1H-103K1 | 1 | 332101035R1 |
| C6004 | CHIP TYPE CERAMIC CAPACITOR | CK725B1H-103K1 | 1 | 332101035R1 |
| C6005 | CHIP TYPE CERAMIC CAPACITOR | CK725B1H-103K1 | 1 | 332101035R1 |
| C6006 | CHIP TYPE CERAMIC CAPACITOR | CK725B1H-103K1 | 1 | 332101035R1 |
| C6043 | UTSP TYPE ELECTROLYTIC CAPACITOR | CE04W50V 47M(UTSP) | 1 | 397584707AT |
| C6044 | UTSP TYPE ELECTROLYTIC CAPACITOR | CE04W50V 47M(UTSP) | 1 | 397584707AT |
| C6045 | UTSP TYPE ELECTROLYTIC CAPACITOR | CE04W50V 47M(UTSP) | 1 | 397584707AT |
| C6046 | UTSP TYPE ELECTROLYTIC CAPACITOR | CE04W50V 47M(UTSP) | 1 | 397584707AT |
| C6050 | TF TYPE PLASTIC FILM CAPACITOR | ECQ-V50V-224J | 1 | 374722244T |
| C6051 | TF TYPE PLASTIC FILM CAPACITOR | ECQ-V50V-224J | 1 | 374722244T |
| C6052 | TF TYPE PLASTIC FILM CAPACITOR | ECQ-V50V-224J | 1 | 374722244T |
| C6053 | TF TYPE PLASTIC FILM CAPACITOR | ECQ-V50V-224J | 1 | 374722244T |
| C6054 | TF TYPE PLASTIC FILM CAPACITOR | ECQ-V50V-224J | 1 | 374722244T |
| C6055 | TF TYPE PLASTIC FILM CAPACITOR | ECQ-V50V-224J | 1 | 374722244T |
| C6056 | TF TYPE PLASTIC FILM CAPACITOR | ECQ-V50V-224J | 1 | 374722244T |
| C6250 | TF TYPE PLASTIC FILM CAPACITOR | ECQ-V50V-473J | 1 | 374724734T |
| C6251 | TF TYPE PLASTIC FILM CAPACITOR | ECQ-V50V-473J | 1 | 374724734T |

| | | | | | |
|----------|----------------------------------|---------------------|------|-------------|---|
| C6252 | TF TYPE PLASTIC FILM CAPACITOR | ECQ-V50V-473J | 1 | 374724734T | |
| C6253 | TF TYPE PLASTIC FILM CAPACITOR | ECQ-V50V-473J | 1 | 374724734T | |
| C6254 | TF TYPE PLASTIC FILM CAPACITOR | ECQ-V50V-473J | 1 | 374724734T | |
| C6255 | TF TYPE PLASTIC FILM CAPACITOR | ECQ-V50V-473J | 1 | 374724734T | |
| C6256 | TF TYPE PLASTIC FILM CAPACITOR | ECQ-V50V-473J | 1 | 374724734T | |
| C6301 | CHIP TYPE CERAMIC CAPACITOR | CK725F1E-104Z1 | 1 | 332161040R1 | |
| C6302 | CHIP TYPE CERAMIC CAPACITOR | CK725F1E-104Z1 | 1 | 332161040R1 | |
| C6401 | ELECTROLYTIC CAPACITOR | CE69W63V-6800M | 1 | 3504506 | |
| C6401 or | ELECTROLYTIC CAPACITOR | CE69W63V-6800M | (1) | 3504518 | N |
| C6402 | ELECTROLYTIC CAPACITOR | CE69W63V-6800M | 1 | 3504506 | |
| C6402 or | ELECTROLYTIC CAPACITOR | CE69W63V-6800M | (1) | 3504518 | N |
| C6403 | TF TYPE PLASTIC FILM CAPACITOR | ECQ-V100V-334J | 1 | 374733344T | |
| C6404 | TF TYPE PLASTIC FILM CAPACITOR | ECQ-V100V-334J | 1 | 374733344T | |
| C6411 | CHIP TYPE CERAMIC CAPACITOR | CK725B1H-104K1 | 1 | 332101045R1 | |
| C6451 | UTSP TYPE ELECTROLYTIC CAPACITOR | CE04W25V-220M(UTSP) | 1 | 397552217T | |
| C6452 | CHIP TYPE CERAMIC CAPACITOR | CK725F1E-104Z1 | 1 | 332161040R1 | |
| C6453 | UTSP TYPE ELECTROLYTIC CAPACITOR | CE04W50V-1M(UTSP) | 1 | 397580107AT | |
| C6454 | CHIP TYPE CERAMIC CAPACITOR | CC725CH1H-101J1 | 1 | 342101014R1 | |
| C6455 | TF TYPE PLASTIC FILM CAPACITOR | ECQ-V50V-103J | 1 | 374721034T | |
| C6456 | UTSP TYPE ELECTROLYTIC CAPACITOR | CE04W50V-10M(UTSP) | 1 | 397581007AT | |
| C6457 | CHIP TYPE CERAMIC CAPACITOR | CK725F1A-105Z1 | 1 | 332181050R1 | |
| C6459 | CHIP TYPE CERAMIC CAPACITOR | CK725B1H-222K1 | 1 | 332102225R1 | |
| C6600 | CHIP TYPE CERAMIC CAPACITOR | CK725F1H-104Z1 | 1 | 332151040R1 | |
| C6601 | CHIP TYPE CERAMIC CAPACITOR | CK725F1H-104Z1 | 1 | 332151040R1 | |
| C6603 | CHIP TYPE CERAMIC CAPACITOR | CK725F1H-104Z1 | 1 | 332151040R1 | |
| C6650 | UMXR TYPE PLASTIC FILM CAPACITOR | 1JUMXRTF102JE | 1 | 376591024T | |
| C6651 | UMXR TYPE PLASTIC FILM CAPACITOR | 1JUMXRTF102JE | 1 | 376591024T | |
| C6652 | UMXR TYPE PLASTIC FILM CAPACITOR | 1JUMXRTF102JE | 1 | 376591024T | |
| C6653 | UMXR TYPE PLASTIC FILM CAPACITOR | 1JUMXRTF102JE | 1 | 376591024T | |
| C6654 | UMXR TYPE PLASTIC FILM CAPACITOR | 1JUMXRTF102JE | 1 | 376591024T | |
| C6655 | UMXR TYPE PLASTIC FILM CAPACITOR | 1JUMXRTF102JE | 1 | 376591024T | |
| C6656 | UMXR TYPE PLASTIC FILM CAPACITOR | 1JUMXRTF102JE | 1 | 376591024T | |
| C7201 | CHIP TYPE CERAMIC CAPACITOR | CC725CH1H-102J1 | 1 | 342101024R1 | |
| C7202 | CHIP TYPE CERAMIC CAPACITOR | CK725B1H-223K1 | 1 | 332102235R1 | |
| C7203 | UMXR TYPE PLASTIC FILM CAPACITOR | 1JUMXRTF102JE | 1 | 376591024T | |
| C7204 | UMXR TYPE PLASTIC FILM CAPACITOR | 1JUMXRTF102JE | 1 | 376591024T | |

[RESISTOR]

| | | | | | |
|-------|---------------------------|---------------|---|-------------|--|
| R1700 | CHIP TYPE CARBON RESISTOR | RN72K1J-153JE | 1 | 435031534R1 | |
| R1701 | CHIP TYPE CARBON RESISTOR | RN72K1J-153JE | 1 | 435031534R1 | |
| R1702 | CHIP TYPE CARBON RESISTOR | RN72K1J-153JE | 1 | 435031534R1 | |
| R1703 | CHIP TYPE CARBON RESISTOR | RN72K1J-153JE | 1 | 435031534R1 | |
| R1704 | CHIP TYPE CARBON RESISTOR | RN72K1J-153JE | 1 | 435031534R1 | |
| R1705 | CHIP TYPE CARBON RESISTOR | RN72K1J-153JE | 1 | 435031534R1 | |
| R1706 | CHIP TYPE CARBON RESISTOR | RN72K1J-153JE | 1 | 435031534R1 | |
| R1707 | CHIP TYPE CARBON RESISTOR | RN72K1J-153JE | 1 | 435031534R1 | |
| R1710 | CHIP TYPE CARBON RESISTOR | RN72K1J-153JE | 1 | 435031534R1 | |
| R1711 | CHIP TYPE CARBON RESISTOR | RN72K1J-153JE | 1 | 435031534R1 | |
| R1712 | CHIP TYPE CARBON RESISTOR | RN72K1J-153JE | 1 | 435031534R1 | |
| R1713 | CHIP TYPE CARBON RESISTOR | RN72K1J-153JE | 1 | 435031534R1 | |
| R1714 | CHIP TYPE CARBON RESISTOR | RN72K1J-153JE | 1 | 435031534R1 | |
| R1715 | CHIP TYPE CARBON RESISTOR | RN72K1J-153JE | 1 | 435031534R1 | |
| R1716 | CHIP TYPE CARBON RESISTOR | RN72K1J-153JE | 1 | 435031534R1 | |
| R1717 | CHIP TYPE CARBON RESISTOR | RN72K1J-153JE | 1 | 435031534R1 | |
| R1720 | CHIP TYPE CARBON RESISTOR | RN72K1J-471JE | 1 | 435034714R1 | |
| R1721 | CHIP TYPE CARBON RESISTOR | RN72K1J-471JE | 1 | 435034714R1 | |
| R1722 | CHIP TYPE CARBON RESISTOR | RN72K1J-471JE | 1 | 435034714R1 | |
| R1723 | CHIP TYPE CARBON RESISTOR | RN72K1J-471JE | 1 | 435034714R1 | |
| R1724 | CHIP TYPE CARBON RESISTOR | RN72K1J-471JE | 1 | 435034714R1 | |
| R1725 | CHIP TYPE CARBON RESISTOR | RN72K1J-471JE | 1 | 435034714R1 | |
| R1726 | CHIP TYPE CARBON RESISTOR | RN72K1J-471JE | 1 | 435034714R1 | |
| R1727 | CHIP TYPE CARBON RESISTOR | RN72K1J-471JE | 1 | 435034714R1 | |
| R1730 | CHIP TYPE CARBON RESISTOR | RN72K1J-471JE | 1 | 435034714R1 | |
| R1731 | CHIP TYPE CARBON RESISTOR | RN72K1J-471JE | 1 | 435034714R1 | |
| R1732 | CHIP TYPE CARBON RESISTOR | RN72K1J-471JE | 1 | 435034714R1 | |
| R1733 | CHIP TYPE CARBON RESISTOR | RN72K1J-471JE | 1 | 435034714R1 | |
| R1734 | CHIP TYPE CARBON RESISTOR | RN72K1J-471JE | 1 | 435034714R1 | |
| R1735 | CHIP TYPE CARBON RESISTOR | RN72K1J-471JE | 1 | 435034714R1 | |

| | | | | |
|-------|---------------------------|---------------|---|-------------|
| R4092 | CHIP TYPE CARBON RESISTOR | RN72K1J-331JE | 1 | 435033314R1 |
| R4093 | CHIP TYPE CARBON RESISTOR | RN72K1J-332JE | 1 | 435033324R1 |
| R4094 | CHIP TYPE CARBON RESISTOR | RN72K1J-103JE | 1 | 435031034R1 |
| R4095 | CHIP TYPE CARBON RESISTOR | RN72K1J-103JE | 1 | 435031034R1 |
| R4096 | CHIP TYPE CARBON RESISTOR | RN72K1J-331JE | 1 | 435033314R1 |
| R4097 | CHIP TYPE CARBON RESISTOR | RN72K1J-332JE | 1 | 435033324R1 |
| R4098 | CHIP TYPE CARBON RESISTOR | RN72K1J-123JE | 1 | 435031234R1 |
| R4099 | CHIP TYPE CARBON RESISTOR | RN72K1J-223JE | 1 | 435032234R1 |
| R4100 | CHIP TYPE CARBON RESISTOR | RN72K1J-224JE | 1 | 435032244R1 |
| R4101 | CHIP TYPE CARBON RESISTOR | RN72K1J-224JE | 1 | 435032244R1 |
| R4102 | CHIP TYPE CARBON RESISTOR | RN72K1J-224JE | 1 | 435032244R1 |
| R4103 | CHIP TYPE CARBON RESISTOR | RN72K1J-224JE | 1 | 435032244R1 |
| R4104 | CHIP TYPE CARBON RESISTOR | RN72K1J-224JE | 1 | 435032244R1 |
| R4105 | CHIP TYPE CARBON RESISTOR | RN72K1J-224JE | 1 | 435032244R1 |
| R4106 | CHIP TYPE CARBON RESISTOR | RN72K1J-224JE | 1 | 435032244R1 |
| R4107 | CHIP TYPE CARBON RESISTOR | RN72K1J-223JE | 1 | 435032234R1 |
| R4110 | CHIP TYPE CARBON RESISTOR | RN72K1J-222JE | 1 | 435032224R1 |
| R4111 | CHIP TYPE CARBON RESISTOR | RN72K1J-222JE | 1 | 435032224R1 |
| R4112 | CHIP TYPE CARBON RESISTOR | RN72K1J-222JE | 1 | 435032224R1 |
| R4113 | CHIP TYPE CARBON RESISTOR | RN72K1J-222JE | 1 | 435032224R1 |
| R4114 | CHIP TYPE CARBON RESISTOR | RN72K1J-222JE | 1 | 435032224R1 |
| R4115 | CHIP TYPE CARBON RESISTOR | RN72K1J-222JE | 1 | 435032224R1 |
| R4116 | CHIP TYPE CARBON RESISTOR | RN72K1J-222JE | 1 | 435032224R1 |
| R4117 | CHIP TYPE CARBON RESISTOR | RN72K1J-271JE | 1 | 435032714R1 |
| R4127 | CHIP TYPE CARBON RESISTOR | RN72K1J-101JE | 1 | 435031014R1 |
| R4130 | CHIP TYPE CARBON RESISTOR | RN72K1J-221JE | 1 | 435032214R1 |
| R4131 | CHIP TYPE CARBON RESISTOR | RN72K1J-473JE | 1 | 435034734R1 |
| R4132 | CHIP TYPE CARBON RESISTOR | RN72K1J-153JE | 1 | 435031534R1 |
| R4133 | CHIP TYPE CARBON RESISTOR | RN72K1J-122JE | 1 | 435031224R1 |
| R4134 | CHIP TYPE CARBON RESISTOR | RN72K1J-103JE | 1 | 435031034R1 |
| R4150 | CHIP TYPE CARBON RESISTOR | RN72K1J-000JE | 1 | 435030004R1 |
| R4151 | CHIP TYPE CARBON RESISTOR | RN72K1J-000JE | 1 | 435030004R1 |
| R4152 | CHIP TYPE CARBON RESISTOR | RN72K1J-000JE | 1 | 435030004R1 |
| R4153 | CHIP TYPE CARBON RESISTOR | RN72K1J-000JE | 1 | 435030004R1 |
| R4154 | CHIP TYPE CARBON RESISTOR | RN72K1J-000JE | 1 | 435030004R1 |
| R4155 | CHIP TYPE CARBON RESISTOR | RN72K1J-000JE | 1 | 435030004R1 |
| R4156 | CHIP TYPE CARBON RESISTOR | RN72K1J-000JE | 1 | 435030004R1 |
| R4160 | METAL RESISTOR | RNU1/2WCJ-0.1 | 1 | 453531094T |
| R4161 | METAL RESISTOR | RNU1/2WCJ-0.1 | 1 | 453531094T |
| R4174 | METAL OXIDE FILM RESISTOR | RS1WBJ-68 | 1 | 443626804T |
| R4175 | METAL OXIDE FILM RESISTOR | RS1WBJ-68 | 1 | 443626804T |
| R4176 | METAL OXIDE FILM RESISTOR | RS1WBJ-68 | 1 | 443626804T |
| R4177 | METAL OXIDE FILM RESISTOR | RS1WBJ-68 | 1 | 443626804T |
| R4181 | CHIP TYPE CARBON RESISTOR | RN72K1J-224JE | 1 | 435032244R1 |
| R4185 | METAL RESISTOR | RNU1WCJ-0.22 | 1 | 453632294T |
| R4187 | METAL RESISTOR | RNU1WCJ-0.22 | 1 | 453632294T |
| R4189 | CHIP TYPE CARBON RESISTOR | RN72K1J-224JE | 1 | 435032244R1 |
| R4190 | CHIP TYPE CARBON RESISTOR | RN72K1J-224JE | 1 | 435032244R1 |
| R4211 | CHIP TYPE CARBON RESISTOR | RN72K1J-102JE | 1 | 435031024R1 |
| R4292 | CHIP TYPE CARBON RESISTOR | RN72K1J-224JE | 1 | 435032244R1 |
| R4293 | CHIP TYPE CARBON RESISTOR | RN72K1J-224JE | 1 | 435032244R1 |
| R4294 | CHIP TYPE CARBON RESISTOR | RN72K1J-224JE | 1 | 435032244R1 |
| R4295 | CHIP TYPE CARBON RESISTOR | RN72K1J-224JE | 1 | 435032244R1 |
| R4296 | CHIP TYPE CARBON RESISTOR | RN72K1J-224JE | 1 | 435032244R1 |
| R4400 | CHIP TYPE CARBON RESISTOR | RN72K1J-102JE | 1 | 435031024R1 |
| R4401 | CHIP TYPE CARBON RESISTOR | RN72K1J-102JE | 1 | 435031024R1 |
| R4402 | CHIP TYPE CARBON RESISTOR | RN72K1J-224JE | 1 | 435032244R1 |
| R4403 | CHIP TYPE CARBON RESISTOR | RN72K1J-224JE | 1 | 435032244R1 |
| R5003 | CHIP TYPE CARBON RESISTOR | RN72K1J-000JE | 1 | 435030004R1 |
| R5004 | CHIP TYPE CARBON RESISTOR | RN72K1J-000JE | 1 | 435030004R1 |
| R5005 | CHIP TYPE CARBON RESISTOR | RN72K1J-000JE | 1 | 435030004R1 |
| R5006 | CHIP TYPE CARBON RESISTOR | RN72K1J-000JE | 1 | 435030004R1 |
| R5013 | CHIP TYPE CARBON RESISTOR | RN72K1J-563JE | 1 | 435035634R1 |
| R5014 | CHIP TYPE CARBON RESISTOR | RN72K1J-563JE | 1 | 435035634R1 |
| R5015 | CHIP TYPE CARBON RESISTOR | RN72K1J-563JE | 1 | 435035634R1 |
| R5016 | CHIP TYPE CARBON RESISTOR | RN72K1J-563JE | 1 | 435035634R1 |
| R5023 | CHIP TYPE CARBON RESISTOR | RN72K1J-331JE | 1 | 435033314R1 |

| | | | | | |
|----------|---------------------------|---------------|-----|--------------|---|
| R6241 | CHIP TYPE CARBON RESISTOR | RN72K1J-472FE | 1 | 435034722R1 | |
| R6242 | CHIP TYPE CARBON RESISTOR | RN72K1J-472FE | 1 | 435034722R1 | |
| R6243 | CHIP TYPE CARBON RESISTOR | RN72K1J-472FE | 1 | 435034722R1 | |
| R6244 | CHIP TYPE CARBON RESISTOR | RN72K1J-472FE | 1 | 435034722R1 | |
| R6245 | CHIP TYPE CARBON RESISTOR | RN72K1J-472FE | 1 | 435034722R1 | |
| R6246 | CHIP TYPE CARBON RESISTOR | RN72K1J-472FE | 1 | 435034722R1 | |
| R6250 | CHIP TYPE CARBON RESISTOR | RN72K1J-000JE | 1 | 435030004R1 | |
| R6251 | CHIP TYPE CARBON RESISTOR | RN72K1J-000JE | 1 | 435030004R1 | |
| R6252 | CHIP TYPE CARBON RESISTOR | RN72K1J-000JE | 1 | 435030004R1 | |
| R6253 | CHIP TYPE CARBON RESISTOR | RN72K1J-000JE | 1 | 435030004R1 | |
| R6254 | CHIP TYPE CARBON RESISTOR | RN72K1J-000JE | 1 | 435030004R1 | |
| R6255 | CHIP TYPE CARBON RESISTOR | RN72K1J-000JE | 1 | 435030004R1 | |
| R6256 | CHIP TYPE CARBON RESISTOR | RN72K1J-000JE | 1 | 435030004R1 | |
| R6292 | CHIP TYPE CARBON RESISTOR | RN72K1J-000JE | 1 | 435030004R1 | |
| R6293 | CHIP TYPE CARBON RESISTOR | RN72K1J-000JE | 1 | 435030004R1 | |
| R6294 | CHIP TYPE CARBON RESISTOR | RN72K1J-000JE | 1 | 435030004R1 | |
| R6295 | CHIP TYPE CARBON RESISTOR | RN72K1J-000JE | 1 | 435030004R1 | |
| R6402 | CHIP TYPE CARBON RESISTOR | RN72K1J-102JE | 1 | 435031024R1 | |
| R6403 | CHIP TYPE CARBON RESISTOR | RN72K1J-473JE | 1 | 435034734R1 | |
| R6440 | METAL RESISTOR | RNU1WCJ-8.2 | 1 | 453630824T | |
| R6441 | METAL RESISTOR | RNU1WCJ-8.2 | 1 | 453630824T | |
| R6442 | METAL RESISTOR | RNU1WCJ-8.2 | 1 | 453630824T | |
| R6443 | METAL RESISTOR | RNU1WCJ-8.2 | 1 | 453630824T | |
| R6444 | METAL RESISTOR | RNU1WCJ-8.2 | 1 | 453630824T | |
| R6445 | METAL RESISTOR | RNU1WCJ-8.2 | 1 | 453630824T | |
| R6446 | METAL RESISTOR | RNU1WCJ-8.2 | 1 | 453630824T | |
| R6451 | CHIP TYPE CARBON RESISTOR | RN72K1J-333JE | 1 | 435033334R1 | |
| R6452 | CHIP TYPE CARBON RESISTOR | RN72K1J-103JE | 1 | 435031034R1 | |
| R6453 | CHIP TYPE CARBON RESISTOR | RN72K1J-223JE | 1 | 435032234R1 | |
| R6454 | CHIP TYPE CARBON RESISTOR | RN72K1J-473JE | 1 | 435034734R1 | |
| R6455 | CHIP TYPE CARBON RESISTOR | RN72K1J-103JE | 1 | 435031034R1 | |
| R6456 | CHIP TYPE CARBON RESISTOR | RN72K1J-224JE | 1 | 435032244R1 | |
| R6457 | CHIP TYPE CARBON RESISTOR | RN72K1J-223JE | 1 | 435032234R1 | |
| R6458 | CHIP TYPE CARBON RESISTOR | RN72K1J-562JE | 1 | 435035624R1 | |
| R6459 | CHIP TYPE CARBON RESISTOR | RN72K1J-562JE | 1 | 435035624R1 | |
| R6460 | CHIP TYPE CARBON RESISTOR | RN72K1J-333JE | 1 | 435033334R1 | |
| R6461 | CHIP TYPE CARBON RESISTOR | RN72K1J-223JE | 1 | 435032234R1 | |
| R6462 | CHIP TYPE CARBON RESISTOR | RN72K1J-333JE | 1 | 435033334R1 | |
| R6463 | CHIP TYPE CARBON RESISTOR | RN72K1J-223JE | 1 | 435032234R1 | |
| R6464 | CHIP TYPE CARBON RESISTOR | RN72K1J-222JE | 1 | 435032224R1 | |
| R6465 | CHIP TYPE CARBON RESISTOR | RN72K1J-473JE | 1 | 435034734R1 | |
| R6690 | METAL RESISTOR | RNU1/2WCJ-4.7 | 1 | 453530474T | |
| R6691 | METAL OXIDE FILM RESISTOR | RS1/2WBJ-390 | 1 | 443523914T | |
| R6692 | METAL OXIDE FILM RESISTOR | RS1/2WBJ-390 | 1 | 443523914T | |
| R6693 | CHIP TYPE CARBON RESISTOR | RN72K1J-000JE | 1 | 435030004R1 | |
| [SW TRM] | | | | | |
| F6401A | FUSE HOLDER | NSCT-1P2031 | 1 | 25052133T | ! |
| F6401B | FUSE HOLDER | NSCT-1P2031 | 1 | 25052133T | ! |
| F6402A | FUSE HOLDER | NSCT-1P2031 | 1 | 25052133T | ! |
| F6402B | FUSE HOLDER | NSCT-1P2031 | 1 | 25052133T | ! |
| P101B | SOCKET | NSCT-7P2100 | 1 | 25052203 | |
| P4001 | PIN JACK | NPJ-4PDWR690 | 1 | 25045922 | |
| P4002 | PIN JACK | NPJ-2PDWR558 | 1 | 25045776 | |
| P4003 | PIN JACK | NPJ-2PDWR558 | 1 | 25045776 | |
| P4004 | PIN JACK | NPJ-2PDWR558 | 1 | 25045776 | |
| P4005 | PIN JACK | NPJ-2PDWR558 | 1 | 25045776 | |
| P4011 | PIN JACK | NPJ-1PDP555 | 1 | 25045773 | |
| P501 | WIRE HARNESS ASSEMBLY | NSAS-3P2094 | 1 | 2009991283UL | |
| P501A | WIRE HOL | NSCT-3P874 | 1 | 25051087 | |
| P501Aor | WIRE HOL | CHD-1.5-3 | (1) | 25053535 | |
| P5506B | RETAINER | (TRM) | 1 | 25060507 | |
| P5509A | RETAINER | (TRM) | 1 | 25060507 | |
| P6000B | PLUG | NPLG-9P0964 | 1 | 25056014 | |
| P6001B | PLUG | NPLG-9P0964 | 1 | 25056014 | |
| P6002B | PLUG | NPLG-9P0964 | 1 | 25056014 | |
| P6003A | WIRE HOL | NSCT-9P900 | 1 | 25051113 | |
| P6003Aor | WIRE HOL | CHD-2.5-9 | (1) | 25053543 | |

| | | | | | |
|----------|---------------------|--------------------|------|--------------|--|
| P6003B | WIRE HOL | NSCT-9P900 | 1 | 25051113 | |
| P6003Bor | WIRE HOL | CHD-2.5-9 | (1) | 25053543 | |
| P6005A | WIRE HOL | NSCT-5P896 | 1 | 25051109 | |
| P6005Aor | WIRE HOL | CHD-2.5-5 | (1) | 25053541 | |
| P6005B | WIRE HOL | NSCT-5P896 | 1 | 25051109 | |
| P6005Bor | WIRE HOL | CHD-2.5-5 | (1) | 25053541 | |
| P6080 | PLUG | NPLG-2P29 | 1 | 25055038 | |
| P6081 | PLUG | NPLG-2P29 | 1 | 25055038 | |
| P6082 | PLUG | NPLG-2P29 | 1 | 25055038 | |
| P6083 | PLUG | NPLG-2P29 | 1 | 25055038 | |
| P6084 | PLUG | NPLG-2P29 | 1 | 25055038 | |
| P6085 | PLUG | NPLG-2P29 | 1 | 25055038 | |
| P6086 | PLUG | NPLG-2P29 | 1 | 25055038 | |
| P6104 | HOLDER | HOLDER(CLAMP) | 1 | 27190540-1 | |
| P6201 | PLUG | NPLG-5P152 | 1 | 25055168 | |
| P6400A | CRIMP CORD ASSEMBLY | CLIMP AS | 1 | 2069925080UL | |
| P6401A | CRIMP CORD ASSEMBLY | CRIMP AS | 1 | 2069925142UL | |
| P6402A | CRIMP CORD ASSEMBLY | CRIMP AS | 1 | 2069925226UL | |
| P6600A | WIRE HOL | NSCT-7P898 | 1 | 25051111 | |
| P6600Aor | WIRE HOL | CHD-2.5-7 | (1) | 25053542 | |
| P6600B | WIRE HOL | NSCT-7P898 | 1 | 25051111 | |
| P6600Bor | WIRE HOL | CHD-2.5-7 | (1) | 25053542 | |
| P6601 | TERMINAL | NTM-4PDMNRR414 | 1 | 25060486 | |
| P6606 | TERMINAL | NTM-10PDMLR444 | 1 | 25060523 | |
| P7003B | PLUG | NPLG-7P135 | 1 | 25055151 | |
| P7201 | ST JACK | MSJ-064-05A SR | 1 | 25045783 | |
| P7202 | TRM-423(SCREW) | NEJITANSI ST3 | 1 | 25060495 | |
| P8001B | SOCKET | NSCT-23P2414 | 1 | 25052517 | |
| P8002B | SOCKET | NSCT-17P2408 | 1 | 25052511 | |
| RL6430 | RELAY | NRL-1P10A-DC12-196 | 1 | 25065707 | |
| RL6440 | RELAY | NRL-1P10A-DC12-196 | 1 | 25065707 | |
| RL6600 | RELAY | NRL-2P5A-DC24-129 | 1 | 25065563A | |
| RL6601 | RELAY | NRL-2P5A-DC24-129 | 1 | 25065563A | |
| RL6602 | RELAY | NRL-2P5A-DC24-129 | 1 | 25065563A | |
| RL6603 | RELAY | NRL-2P5A-DC24-129 | 1 | 25065563A | |

U002

BADIS-1732-1A

: NSP

| CIRCUIT NC | PART NAME | DESCRIPTION | Q'TY | PART NO. (SN) | REMARKS |
|-------------------------|-----------------|--------------------|------|---------------|---------|
| [SEMI CONDUCTOR] | | | | | |
| D2041 | CHIP TYPE DIODE | DA2J10100 | 1 | 223303R2 | |
| D2041 or | CHIP TYPE DIODE | 1SS352 | (1) | 223234R2 | |
| D2042 | CHIP TYPE DIODE | DA2J10100 | 1 | 223303R2 | |
| D2042 or | CHIP TYPE DIODE | 1SS352 | (1) | 223234R2 | |
| D2101 | CHIP TYPE DIODE | DA2J10100 | 1 | 223303R2 | |
| D2101 or | CHIP TYPE DIODE | 1SS352 | (1) | 223234R2 | |
| D2102 | CHIP TYPE DIODE | DA2J10100 | 1 | 223303R2 | |
| D2102 or | CHIP TYPE DIODE | 1SS352 | (1) | 223234R2 | |
| D2103 | CHIP TYPE DIODE | DA2J10100 | 1 | 223303R2 | |
| D2103 or | CHIP TYPE DIODE | 1SS352 | (1) | 223234R2 | |
| D2104 | CHIP TYPE DIODE | DA2J10100 | 1 | 223303R2 | |
| D2104 or | CHIP TYPE DIODE | 1SS352 | (1) | 223234R2 | |
| D2301 | DIODE | G10XB80-02-60A-T16 | 1 | 22380378F | |
| D2301 or | DIODE | D5SBA60 | (1) | 22380070F | |
| D2302 | CHIP TYPE DIODE | DA2J10100 | 1 | 223303R2 | |
| D2302 or | CHIP TYPE DIODE | 1SS352 | (1) | 223234R2 | |
| D2303 | CHIP TYPE DIODE | DA2J10100 | 1 | 223303R2 | |
| D2303 or | CHIP TYPE DIODE | 1SS352 | (1) | 223234R2 | |
| D2304 | ZENER DIODE | DZZJ062M0L | 1 | 224760620R2 | |
| D2304 or | ZENER DIODE | UDZS6.2B | (1) | 224550620R2 | |
| D2305 | DIODE | RB050M-30GTR | 1 | 22380373R2 | |
| D5000 | ZENER DIODE | DZZJ056M0L | 1 | 224760560R2 | |
| D5000 or | ZENER DIODE | UDZS5.6B | (1) | 224550560R2 | |
| D5001 | ZENER DIODE | DZZJ056M0L | 1 | 224760560R2 | |

| | | | | | |
|----------|-----------------|----------------------|-----|---------------|---|
| D5001 or | ZENER DIODE | UDZS5.6B | (1) | 224550560R2 | |
| D5002 | ZENER DIODE | DZZJ056M0L | 1 | 224760560R2 | |
| D5002 or | ZENER DIODE | UDZS5.6B | (1) | 224550560R2 | |
| D7502 | ZENER DIODE | DZZJ082M0L | 1 | 224760820R2 | |
| D7502 or | ZENER DIODE | UDZS8.2B | (1) | 224550820R2 | |
| D7533 | ZENER DIODE | DZZJ039M0L | 1 | 224760390R2 | |
| D7533 or | ZENER DIODE | UDZS3.9B | (1) | 224550390R2 | |
| D7560 | LED | SCB3318E-D2 | 1 | 225487 | |
| D7560A | HOLDER | (LED)LH-5-5 | 1 | 27191312 | |
| D7561 | LED | SCB3318E-D2 | 1 | 225487 | |
| D7561A | HOLDER | (LED)LH-5-5 | 1 | 27191312 | |
| D7711 | CHIP TYPE DIODE | DA2J10100 | 1 | 223303R2 | |
| D7711 or | CHIP TYPE DIODE | 1SS352 | (1) | 223234R2 | |
| D7712 | CHIP TYPE DIODE | DA2J10100 | 1 | 223303R2 | |
| D7712 or | CHIP TYPE DIODE | 1SS352 | (1) | 223234R2 | |
| D7801 | ZENER DIODE | DZZJ051M0L | 1 | 224760510R2 | |
| D7801 or | ZENER DIODE | UDZS5.1B | (1) | 224550510R2 | |
| D7811 | ZENER DIODE | DZZJ068M0L | 1 | 224760680R2 | |
| D7811 or | ZENER DIODE | UDZS6.8B | (1) | 224550680R2 | |
| D7812 | ZENER DIODE | DZZJ068M0L | 1 | 224760680R2 | |
| D7812 or | ZENER DIODE | UDZS6.8B | (1) | 224550680R2 | |
| D7960 | DIODE | RL1N4003 | 1 | 22380260T | |
| D7961 | DIODE | RL1N4003 | 1 | 22380260T | |
| D7962 | ZENER DIODE | DZZJ360M0L | 1 | 224763600R2 | |
| D7962 or | ZENER DIODE | UDZS36B | (1) | 224553600R2 | |
| D9011 | CHIP TYPE DIODE | DA2J10100 | 1 | 223303R2 | |
| D9011 or | CHIP TYPE DIODE | 1SS352 | (1) | 223234R2 | |
| D9012 | CHIP TYPE DIODE | DA2J10100 | 1 | 223303R2 | |
| D9012 or | CHIP TYPE DIODE | 1SS352 | (1) | 223234R2 | |
| D9021 | CHIP TYPE DIODE | DA2J10100 | 1 | 223303R2 | |
| D9021 or | CHIP TYPE DIODE | 1SS352 | (1) | 223234R2 | |
| D9022 | CHIP TYPE DIODE | DA2J10100 | 1 | 223303R2 | |
| D9022 or | CHIP TYPE DIODE | 1SS352 | (1) | 223234R2 | |
| D9023 | CHIP TYPE DIODE | DA2J10100 | 1 | 223303R2 | |
| D9023 or | CHIP TYPE DIODE | 1SS352 | (1) | 223234R2 | |
| D9024 | CHIP TYPE DIODE | DA2J10100 | 1 | 223303R2 | |
| D9024 or | CHIP TYPE DIODE | 1SS352 | (1) | 223234R2 | |
| D9025 | CHIP TYPE DIODE | DA2J10100 | 1 | 223303R2 | |
| D9025 or | CHIP TYPE DIODE | 1SS352 | (1) | 223234R2 | |
| D9030 | CHIP TYPE DIODE | DA2J10100 | 1 | 223303R2 | |
| D9030 or | CHIP TYPE DIODE | 1SS352 | (1) | 223234R2 | |
| D9031 | CHIP TYPE DIODE | DA2J10100 | 1 | 223303R2 | |
| D9031 or | CHIP TYPE DIODE | 1SS352 | (1) | 223234R2 | |
| D9034 | ZENER DIODE | UDZS5.1B | 1 | 224550510R2 | |
| D9034 or | ZENER DIODE | DZZJ051M0L | (1) | 224760510R2 | |
| D9041 | CHIP TYPE DIODE | DA2J10100 | 1 | 223303R2 | |
| D9041 or | CHIP TYPE DIODE | 1SS352 | (1) | 223234R2 | |
| D9042 | CHIP TYPE DIODE | DA2J10100 | 1 | 223303R2 | |
| D9042 or | CHIP TYPE DIODE | 1SS352 | (1) | 223234R2 | |
| Q1 | HYBRID IC | RZ5B801-0001E2 | 1 | 22242835R2 | |
| Q2001 | HYBRID IC | NJM41041VC3-TE1 | 1 | 22242931R2 | N |
| Q2002 | HYBRID IC | 74VHC4053AFT | 1 | 22274053ER2TO | N |
| Q2003 | HYBRID IC | 74VHC4051AFT | 1 | 22274051ER2TO | N |
| Q2021 | PHOTO COUPLER | JSR1165-001recieving | 1 | 24120143 | |
| Q2022 | PHOTO COUPLER | JSR1165-001recieving | 1 | 24120143 | |
| Q2051 | HYBRID IC | TC74HCU04AF | 1 | 222740046R2TO | |
| Q5000 | TRANSISTOR | 2SC2713-BL | 1 | 2213136R2 | |
| Q5001 | TRANSISTOR | 2SC2713-BL | 1 | 2213136R2 | |
| Q5002 | TRANSISTOR | 2SC2713-BL | 1 | 2213136R2 | |
| Q5010 | TRANSISTOR | 2SC2713-BL | 1 | 2213136R2 | |
| Q5011 | TRANSISTOR | 2SC2713-BL | 1 | 2213136R2 | |
| Q5012 | TRANSISTOR | 2SC2713-BL | 1 | 2213136R2 | |
| Q5030 | TRANSISTOR | INA6006AP1-T111 | 1 | 2217980R2 | |
| Q5031 | TRANSISTOR | INA6006AP1-T111 | 1 | 2217980R2 | |
| Q5032 | TRANSISTOR | INA6006AP1-T111 | 1 | 2217980R2 | |
| Q5040 | TRANSISTOR | INC6006AP1-T111 | 1 | 2217990R2 | |
| Q5041 | TRANSISTOR | INC6006AP1-T111 | 1 | 2217990R2 | |

| | | | | | |
|---------------------|-----------------------------|---------------------|-----|--------------|---|
| Q5042 | TRANSISTOR | INC6006AP1-T111 | 1 | 2217990R2 | |
| Q5050 | TRANSISTOR | 2SC2412K-R | 1 | 2214653R2 | |
| Q5051 | TRANSISTOR | 2SC2412K-R | 1 | 2214653R2 | |
| Q5052 | TRANSISTOR | 2SC2412K-R | 1 | 2214653R2 | |
| Q6010 | TRANSISTOR | 2SC2713-BL | 1 | 2213136R2 | |
| Q6011 | TRANSISTOR | 2SC2713-BL | 1 | 2213136R2 | |
| Q6012 | TRANSISTOR | 2SC2713-BL | 1 | 2213136R2 | |
| Q6020 | TRANSISTOR | 2SA1163-BL(TE85L_F) | 1 | 2216756R2 | |
| Q6021 | TRANSISTOR | 2SA1163-BL(TE85L_F) | 1 | 2216756R2 | |
| Q6022 | TRANSISTOR | 2SA1163-BL(TE85L_F) | 1 | 2216756R2 | |
| Q6030 | TRANSISTOR | TTC004B_Q(S) | 1 | 2218022 | |
| Q6031 | TRANSISTOR | TTC004B_Q(S) | 1 | 2218022 | |
| Q6032 | TRANSISTOR | TTC004B_Q(S) | 1 | 2218022 | |
| Q6040 | TRANSISTOR | TTA004B_Q(S) | 1 | 2218012 | |
| Q6041 | TRANSISTOR | TTA004B_Q(S) | 1 | 2218012 | |
| Q6042 | TRANSISTOR | TTA004B_Q(S) | 1 | 2218012 | |
| Q7501 | HYBRID IC | ML9208A-13GA | 1 | 22242772R3 | |
| Q7502 | FLUORESCENT TUBE | 16-BT-168GNK | 1 | 212279 | |
| Q7502A | HOLDER | (FL) | 1 | 27191222C | |
| Q7503 | TRANSISTOR | KTC3875-GR | 1 | 2216175R2 | |
| Q7503 or | TRANSISTOR | 2SC2712-GR | (1) | 2213145R2 | |
| Q7504 | TRANSISTOR | KTC3875-GR | 1 | 2216175R2 | |
| Q7504 or | TRANSISTOR | 2SC2712-GR | (1) | 2213145R2 | |
| Q7533 | TRANSISTOR | KTC3875-GR | 1 | 2216175R2 | |
| Q7533 or | TRANSISTOR | 2SC2712-GR | (1) | 2213145R2 | |
| Q7541 | REMOTE SENSOR | IRM-3638M3S28 | 1 | 24130026 | |
| Q7653 | TRANSISTOR | DTC123JKA | 1 | 2216690R2 | |
| Q7655 | TRANSISTOR | DTC123JKA | 1 | 2216690R2 | |
| Q7801 | HYBRID IC | NJM4580CG | 1 | 22242922R2 | |
| Q7803 | TRANSISTOR | RTAN430C-T112-1 | 1 | 2217780R2 | |
| Q7807 | TRANSISTOR | KRA102S | 1 | 2216220R2 | |
| Q7808 | TRANSISTOR | KRC102S | 1 | 2216190R2 | |
| Q7960 | TRANSISTOR | KTA1661-Y | 1 | 2217864R2 | |
| Q7960 or | TRANSISTOR | INA5001AP1-T111 | (1) | 2218030R2 | |
| Q7961 | TRANSISTOR | 2SC2712-GR | 1 | 2213145R2 | |
| Q7962 | TRANSISTOR | KRA102S | 1 | 2216220R2 | |
| Q9011 | TRANSISTOR | KRC105S | 1 | 2217290R2 | |
| Q9011 or | TRANSISTOR | RN1405 | (1) | 2214500R2 | |
| Q9011 or | TRANSISTOR | DTC123JKA | (1) | 2216690R2 | |
| [TRANS COIL] | | | | | |
| L1 | CHIP TYPE CARBON RESISTOR | RN72K1J-000JE | 1 | 435030004R1 | |
| L2 | CHIP TYPE CARBON RESISTOR | RN72K1J-000JE | 1 | 435030004R1 | |
| L2000 | CHOKE COIL | LBC2518T2R2M | 1 | 231364M022R2 | |
| L2001 | CHOKE COIL | LBC2518T470M | 1 | 231364M470R2 | |
| L2052 | CHOKE COIL | LBC2518T470M | 1 | 231364M470R2 | |
| L2053 | EMI SUPPRESSION FILTER | BK1608HS102-T | 1 | 230955R2 | |
| L3 | RF COIL | SDCL1608CR33JTDF | 1 | 233557R1 | |
| L3 or | RF COIL | HK1608R33J-T | (1) | 233559R1 | |
| L4 | RF COIL | SDCL1608CR10JTDF | 1 | 233556R1 | |
| L4 or | RF COIL | HK1608R10J-T | (1) | 233558R1 | |
| L5 | ANTENNA COIL | K7-D | 1 | 232212 | |
| L7532 | CHOKE COIL | LBC2518T2R2M | 1 | 231364M022R2 | |
| T9002 | POWER TRANSFORMER | NPT-1520JQ | 1 | 2301812A | ! |
| X1 | CRYSTAL | HC-49S 9B12.000MHz | 1 | 3010533 | |
| [CAPACITOR] | | | | | |
| C1 | CHIP TYPE CERAMIC CAPACITOR | CC725CH1H-101J1 | 1 | 342101014R1 | |
| C12 | CHIP TYPE CERAMIC CAPACITOR | CC725CH1H-090D1 | 1 | 342100902R1 | |
| C13 | CHIP TYPE CERAMIC CAPACITOR | CK725B1C-104K1 | 1 | 332121045R1 | |
| C2 | CHIP TYPE CERAMIC CAPACITOR | CC725CH1H-220J1 | 1 | 342102204R1 | |
| C2001 | CHIP TYPE CERAMIC CAPACITOR | CK725F1E-104Z1 | 1 | 332161040R1 | |
| C2012 | CHIP TYPE CERAMIC CAPACITOR | CK725F1E-104Z1 | 1 | 332161040R1 | |
| C2015 | CHIP TYPE CERAMIC CAPACITOR | CK725F1E-104Z1 | 1 | 332161040R1 | |
| C2021 | CHIP TYPE CERAMIC CAPACITOR | CK725F1E-104Z1 | 1 | 332161040R1 | |
| C2022 | CHIP TYPE CERAMIC CAPACITOR | CK725F1E-104Z1 | 1 | 332161040R1 | |
| C2031 | CHIP TYPE CERAMIC CAPACITOR | CC725CH1H-330J1 | 1 | 342103304R1 | |
| C2032 | CHIP TYPE CERAMIC CAPACITOR | CC725CH1H-330J1 | 1 | 342103304R1 | |
| C2041 | CHIP TYPE CERAMIC CAPACITOR | CK725F1E-104Z1 | 1 | 332161040R1 | |

| | | | | |
|----------|-------------------------------------|---------------------|------|-------------|
| C2052 | CHIP TYPE CERAMIC CAPACITOR | CK725B1C-104K1 | 1 | 332121045R1 |
| C2053 | CHIP TYPE CERAMIC CAPACITOR | CC725CH1H-080D1 | 1 | 342100802R1 |
| C2054 | CHIP TYPE CERAMIC CAPACITOR | CK725F1E-104Z1 | 1 | 332161040R1 |
| C2055 | UTSP TYPE ELECTROLYTIC CAPACITOR | CE04W25V-220M(UTSP) | 1 | 397552217T |
| C2101 | JAMICON TYPE ELECTROLYTIC CAPACITOR | CE04W50V-2.2M | 1 | 398580227T |
| C2102 | JAMICON TYPE ELECTROLYTIC CAPACITOR | CE04W50V-2.2M | 1 | 398580227T |
| C2110 | JAMICON TYPE ELECTROLYTIC CAPACITOR | CE04W50V-2.2M | 1 | 398580227T |
| C2110 or | VR TYPE ELECTROLYTIC CAPACITOR | CE04W50V-2.2M(VR) | (1) | 394680227T |
| C2111 | JAMICON TYPE ELECTROLYTIC CAPACITOR | CE04W50V-2.2M | 1 | 398580227T |
| C2111 or | VR TYPE ELECTROLYTIC CAPACITOR | CE04W50V-2.2M(VR) | (1) | 394680227T |
| C2112 | JAMICON TYPE ELECTROLYTIC CAPACITOR | CE04W50V-2.2M | 1 | 398580227T |
| C2112 or | VR TYPE ELECTROLYTIC CAPACITOR | CE04W50V-2.2M(VR) | (1) | 394680227T |
| C2113 | CHIP TYPE CERAMIC CAPACITOR | CK725B1H-102K1 | 1 | 332101025R1 |
| C2114 | CHIP TYPE CERAMIC CAPACITOR | CK725B1H-102K1 | 1 | 332101025R1 |
| C2117 | JAMICON TYPE ELECTROLYTIC CAPACITOR | CE04W50V-2.2M | 1 | 398580227T |
| C2118 | JAMICON TYPE ELECTROLYTIC CAPACITOR | CE04W50V-2.2M | 1 | 398580227T |
| C2119 | JAMICON TYPE ELECTROLYTIC CAPACITOR | CE04W50V-2.2M | 1 | 398580227T |
| C2200 | CHIP TYPE CERAMIC CAPACITOR | CC725CH1H-102J1 | 1 | 342101024R1 |
| C2201 | CHIP TYPE CERAMIC CAPACITOR | CC725CH1H-102J1 | 1 | 342101024R1 |
| C2203 | JAMICON TYPE ELECTROLYTIC CAPACITOR | CE04W50V-2.2M | 1 | 398580227T |
| C2205 | CHIP TYPE CERAMIC CAPACITOR | CK725B1H-102K1 | 1 | 332101025R1 |
| C2206 | CHIP TYPE CERAMIC CAPACITOR | CK725B1H-102K1 | 1 | 332101025R1 |
| C2207 | CHIP TYPE CERAMIC CAPACITOR | CK725B1H-102K1 | 1 | 332101025R1 |
| C2208 | CHIP TYPE CERAMIC CAPACITOR | CK725B1H-102K1 | 1 | 332101025R1 |
| C2215 | CHIP TYPE CERAMIC CAPACITOR | CK725B1H-103K1 | 1 | 332101035R1 |
| C2216 | CHIP TYPE CERAMIC CAPACITOR | CK725B1H-103K1 | 1 | 332101035R1 |
| C2301 | VR TYPE ELECTROLYTIC CAPACITOR | CE04W25V-4700M(VR) | 1 | 394654727S |
| C2301 or | JAMICON TYPE ELECTROLYTIC CAPACITOR | CE04W25V-4700M | (1) | 398554727S |
| C2302 | JAMICON TYPE ELECTROLYTIC CAPACITOR | CE04W50V-4.7M | 1 | 398580477T |
| C2302 or | VR TYPE ELECTROLYTIC CAPACITOR | CE04W50V-4.7M(VR) | (1) | 394680477T |
| C2303 | TF TYPE PLASTIC FILM CAPACITOR | ECQ-V50V-334J | 1 | 374723344T |
| C2307 | UTSP TYPE ELECTROLYTIC CAPACITOR | CE04W10V-220M(UTSP) | 1 | 397532217AT |
| C2356 | CHIP TYPE CERAMIC CAPACITOR | CK725F1E-104Z1 | 1 | 332161040R1 |
| C3 | CHIP TYPE CERAMIC CAPACITOR | CK725B1H-332K1 | 1 | 332103325R1 |
| C4 | CHIP TYPE CERAMIC CAPACITOR | CC725CH1H-100D1 | 1 | 342101002R1 |
| C5 | CHIP TYPE CERAMIC CAPACITOR | CK725B1H-473K1 | 1 | 332104735R1 |
| C5000 | UPZ TYPE PLASTIC FILM CAPACITOR | 2AUPZTF471JE | 1 | 376334714T |
| C5001 | UPZ TYPE PLASTIC FILM CAPACITOR | 2AUPZTF471JE | 1 | 376334714T |
| C5002 | UPZ TYPE PLASTIC FILM CAPACITOR | 2AUPZTF471JE | 1 | 376334714T |
| C5010 | UTSP TYPE ELECTROLYTIC CAPACITOR | CE04W50V 47M(UTSP) | 1 | 397584707AT |
| C5011 | UTSP TYPE ELECTROLYTIC CAPACITOR | CE04W50V 47M(UTSP) | 1 | 397584707AT |
| C5012 | UTSP TYPE ELECTROLYTIC CAPACITOR | CE04W50V 47M(UTSP) | 1 | 397584707AT |
| C5020 | UTSP TYPE ELECTROLYTIC CAPACITOR | CE04W50V-10M(UTSP) | 1 | 397581007AT |
| C5021 | UTSP TYPE ELECTROLYTIC CAPACITOR | CE04W50V-10M(UTSP) | 1 | 397581007AT |
| C5022 | UTSP TYPE ELECTROLYTIC CAPACITOR | CE04W50V-10M(UTSP) | 1 | 397581007AT |
| C5040 | UTSP TYPE ELECTROLYTIC CAPACITOR | CE04W25V-220M(UTSP) | 1 | 397552217T |
| C5041 | UTSP TYPE ELECTROLYTIC CAPACITOR | CE04W25V-220M(UTSP) | 1 | 397552217T |
| C5042 | UTSP TYPE ELECTROLYTIC CAPACITOR | CE04W25V-220M(UTSP) | 1 | 397552217T |
| C5050 | UTSP TYPE ELECTROLYTIC CAPACITOR | CE04W50V 47M(UTSP) | 1 | 397584707AT |
| C5051 | UTSP TYPE ELECTROLYTIC CAPACITOR | CE04W50V 47M(UTSP) | 1 | 397584707AT |
| C5052 | UTSP TYPE ELECTROLYTIC CAPACITOR | CE04W50V 47M(UTSP) | 1 | 397584707AT |
| C5080 | CERAMIC CAPACITOR | CC45SL50V-040C | 1 | 345020401T |
| C5081 | CERAMIC CAPACITOR | CC45SL50V-040C | 1 | 345020401T |
| C5082 | CERAMIC CAPACITOR | CC45SL50V-040C | 1 | 345020401T |
| C5090 | UPZ TYPE PLASTIC FILM CAPACITOR | 2AUPZTF101JE | 1 | 376331014T |
| C5091 | UPZ TYPE PLASTIC FILM CAPACITOR | 2AUPZTF101JE | 1 | 376331014T |
| C5092 | UPZ TYPE PLASTIC FILM CAPACITOR | 2AUPZTF101JE | 1 | 376331014T |
| C5100 | VR TYPE ELECTROLYTIC CAPACITOR | CE04W100V-22M(VR) | 1 | 394692207T |
| C5101 | VR TYPE ELECTROLYTIC CAPACITOR | CE04W100V-22M(VR) | 1 | 394692207T |
| C5102 | VR TYPE ELECTROLYTIC CAPACITOR | CE04W100V-22M(VR) | 1 | 394692207T |
| C5110 | VR TYPE ELECTROLYTIC CAPACITOR | CE04W100V-22M(VR) | 1 | 394692207T |
| C5111 | VR TYPE ELECTROLYTIC CAPACITOR | CE04W100V-22M(VR) | 1 | 394692207T |
| C5112 | VR TYPE ELECTROLYTIC CAPACITOR | CE04W100V-22M(VR) | 1 | 394692207T |
| C6 | CHIP TYPE CERAMIC CAPACITOR | CK725B1H-222K1 | 1 | 332102225R1 |
| C6000 | TF TYPE PLASTIC FILM CAPACITOR | ECQ-V50V-103J | 1 | 374721034T |
| C6001 | TF TYPE PLASTIC FILM CAPACITOR | ECQ-V50V-103J | 1 | 374721034T |
| C6002 | TF TYPE PLASTIC FILM CAPACITOR | ECQ-V50V-103J | 1 | 374721034T |

| | | | | | |
|-------------------|-------------------------------------|--------------------|-------|-------------|---|
| C6040 | UTSP TYPE ELECTROLYTIC CAPACITOR | CE04W50V 47M(UTSP) | 1 | 397584707AT | |
| C6041 | UTSP TYPE ELECTROLYTIC CAPACITOR | CE04W50V 47M(UTSP) | 1 | 397584707AT | |
| C6042 | UTSP TYPE ELECTROLYTIC CAPACITOR | CE04W50V 47M(UTSP) | 1 | 397584707AT | |
| C7 | CHIP TYPE CERAMIC CAPACITOR | CK725B1A-105K1 | 1 | 332131055R1 | |
| C7502 | CHIP TYPE CERAMIC CAPACITOR | CK725F1E-104Z1 | 1 | 332161040R1 | |
| C7503 | CHIP TYPE CERAMIC CAPACITOR | CC725CH1H-101J1 | 1 | 342101014R1 | |
| C7504 | CHIP TYPE CERAMIC CAPACITOR | CC725CH1H-101J1 | 1 | 342101014R1 | |
| C7505 | CHIP TYPE CERAMIC CAPACITOR | CC725CH1H-101J1 | 1 | 342101014R1 | |
| C7508 | ELECTROLYTIC CAPACITOR | CE04W6.3V-100M(S) | 1 | 353721019T | |
| C7509 | CHIP TYPE CERAMIC CAPACITOR | CK725F1E-104Z1 | 1 | 332161040R1 | |
| C7510 | CHIP TYPE CERAMIC CAPACITOR | CK725B1H-223K1 | 1 | 332102235R1 | |
| C7511 | CHIP TYPE CERAMIC CAPACITOR | CK725B1H-223K1 | 1 | 332102235R1 | |
| C7512 | CHIP TYPE CERAMIC CAPACITOR | CK725B1H-223K1 | 1 | 332102235R1 | |
| C7514 | TF TYPE PLASTIC FILM CAPACITOR | ECQ-V50V-474J | 1 | 374724744T | |
| C7515 | ELECTROLYTIC CAPACITOR | CE04W16V-47M(S) | 1 | 353744709T | |
| C7516 | CHIP TYPE CERAMIC CAPACITOR | CK725B1H-223K1 | 1 | 332102235R1 | |
| C7517 | CHIP TYPE CERAMIC CAPACITOR | CK725B1H-223K1 | 1 | 332102235R1 | |
| C7518 | CHIP TYPE CERAMIC CAPACITOR | CK725B1H-223K1 | 1 | 332102235R1 | |
| C7520 | CHIP TYPE CERAMIC CAPACITOR | CK725B1H-223K1 | 1 | 332102235R1 | |
| C7521 | CHIP TYPE CERAMIC CAPACITOR | CK725B1H-103K1 | 1 | 332101035R1 | |
| C7522 | CHIP TYPE CERAMIC CAPACITOR | CK725B1H-103K1 | 1 | 332101035R1 | |
| C7523 | CHIP TYPE CERAMIC CAPACITOR | CC725CH1H-390J1 | 1 | 342103904R1 | |
| C7531 | CHIP TYPE CERAMIC CAPACITOR | CK725B1H-223K1 | 1 | 332102235R1 | |
| C7533 | ELECTROLYTIC CAPACITOR | CE04W16V-10M(S) | 1 | 353741009T | |
| C7541 | ELECTROLYTIC CAPACITOR | CE04W16V-10M(S) | 1 | 353741009T | |
| C7542 | CHIP TYPE CERAMIC CAPACITOR | CC725CH1H-102J1 | 1 | 342101024R1 | |
| C7543 | CHIP TYPE CERAMIC CAPACITOR | CC725CH1H-102J1 | 1 | 342101024R1 | |
| C7705 | CHIP TYPE CERAMIC CAPACITOR | CK725F1E-104Z1 | 1 | 332161040R1 | |
| C7711 | CHIP TYPE CERAMIC CAPACITOR | CC725CH1H-471J1 | 1 | 342104714R1 | |
| C7712 | CHIP TYPE CERAMIC CAPACITOR | CC725CH1H-471J1 | 1 | 342104714R1 | |
| C7714 | CHIP TYPE CERAMIC CAPACITOR | CK725F1E-104Z1 | 1 | 332161040R1 | |
| C7716 | CHIP TYPE CERAMIC CAPACITOR | CK725F1E-104Z1 | 1 | 332161040R1 | |
| C7801 | ELECTROLYTIC CAPACITOR | CE04W16V-10M(S) | 1 | 353741009T | |
| C7802 | CHIP TYPE CERAMIC CAPACITOR | CC725CH1H-101J1 | 1 | 342101014R1 | |
| C7803 | ELECTROLYTIC CAPACITOR | CE04W16V-47M(S) | 1 | 353744709T | |
| C7804 | CHIP TYPE CERAMIC CAPACITOR | CC725CH1H-330J1 | 1 | 342103304R1 | |
| C7805 | ELECTROLYTIC CAPACITOR | CE04W16V-10M(S) | 1 | 353741009T | |
| C7811 | ELECTROLYTIC CAPACITOR | CE04W16V-47M(S) | 1 | 353744709T | |
| C7812 | ELECTROLYTIC CAPACITOR | CE04W16V-47M(S) | 1 | 353744709T | |
| C7833 | CHIP TYPE CERAMIC CAPACITOR | CC725CH1H-102J1 | 1 | 342101024R1 | |
| C7950 | TF TYPE PLASTIC FILM CAPACITOR | ECQ-V50V-104J | 1 | 374721044T | |
| C7960 | VR TYPE ELECTROLYTIC CAPACITOR | CE04W63V-100M(VR) | 1 | 394671017T | |
| C7961 | UTSP TYPE ELECTROLYTIC CAPACITOR | CE04W50V 47M(UTSP) | 1 | 397584707AT | |
| C7961 or | VR TYPE ELECTROLYTIC CAPACITOR | CE04W50V-47M(VR) | (1) | 394684707T | |
| C7962 | TF TYPE PLASTIC FILM CAPACITOR | ECQ-V50V-104J | 1 | 374721044T | |
| C7963 | UTSP TYPE ELECTROLYTIC CAPACITOR | CE04W50V 47M(UTSP) | 1 | 397584707AT | |
| C7963 or | VR TYPE ELECTROLYTIC CAPACITOR | CE04W50V-47M(VR) | (1) | 394684707T | |
| C8 | CHIP TYPE CERAMIC CAPACITOR | CK725B1A-105K1 | 1 | 332131055R1 | |
| C9 | CHIP TYPE CERAMIC CAPACITOR | CK732B16V-106K | 1 | 332071065R2 | |
| C9001 | IS TYPE CAPACITOR | LE103-C3.5 | 1 | 3800042S | ! |
| C9001 or | IS TYPE CAPACITOR | ECQU2A103MLC | (1) | 3800039S | ! |
| C9002 | CHIP TYPE CERAMIC CAPACITOR | CK725F1E-104Z1 | 1 | 332161040R1 | |
| C9011 | CHIP TYPE CERAMIC CAPACITOR | CC725CH1H-102J1 | 1 | 342101024R1 | |
| C9022 | JAMICON TYPE ELECTROLYTIC CAPACITOR | CE04W25V-2200M | 1 | 398552227S | |
| C9022 or | VR TYPE ELECTROLYTIC CAPACITOR | CE04W25V-2200M(VR) | (1) | 394652227S | |
| C9030 | JAMICON TYPE ELECTROLYTIC CAPACITOR | CE04W25V-220M | 1 | 398552217T | |
| C9030 or | VR TYPE ELECTROLYTIC CAPACITOR | CE04W25V-220M(VR) | (1) | 394652217T | |
| C9033 | JAMICON TYPE ELECTROLYTIC CAPACITOR | CE04W50V-4.7M | 1 | 398580477T | |
| C9033 or | VR TYPE ELECTROLYTIC CAPACITOR | CE04W50V-4.7M(VR) | (1) | 394680477T | |
| [RESISTOR] | | | | | |
| F2301 | FUSE | T4A-SEUL-T250V | 1 | 252392T | ! |
| R10 | CHIP TYPE CARBON RESISTOR | RN72K1J-000JE | 1 | 435030004R1 | |
| R11 | CHIP TYPE CARBON RESISTOR | RN72K1J-000JE | 1 | 435030004R1 | |
| R13 | CHIP TYPE CARBON RESISTOR | RN72K1J-000JE | 1 | 435030004R1 | |
| R14 | CHIP TYPE CARBON RESISTOR | RN72K1J-000JE | 1 | 435030004R1 | |
| R2 | CHIP TYPE CARBON RESISTOR | RN72K1J-101JE | 1 | 435031014R1 | |
| R2000 | CHIP TYPE CARBON RESISTOR | RN72K1J-331JE | 1 | 435033314R1 | |

| | | | | |
|-------|------------------------------------|---------------|---|-------------|
| R2003 | CHIP TYPE CARBON RESISTOR | RN72K1J-103JE | 1 | 435031034R1 |
| R2004 | CHIP TYPE CARBON RESISTOR | RN72K1J-103JE | 1 | 435031034R1 |
| R2005 | CHIP TYPE CARBON RESISTOR | RN72K1J-000JE | 1 | 435030004R1 |
| R2021 | CHIP TYPE CARBON RESISTOR | RN72K1J-470JE | 1 | 435034704R1 |
| R2022 | CHIP TYPE CARBON RESISTOR | RN72K1J-470JE | 1 | 435034704R1 |
| R2050 | CHIP TYPE CARBON RESISTOR | RN72K1J-750JE | 1 | 435037504R1 |
| R2052 | CHIP TYPE CARBON RESISTOR | RN72K1J-100JE | 1 | 435031004R1 |
| R2054 | CHIP TYPE CARBON RESISTOR | RN72K1J-103JE | 1 | 435031034R1 |
| R2055 | CHIP TYPE CARBON RESISTOR | RN72K1J-823JE | 1 | 435038234R1 |
| R21 | CHIP TYPE CARBON RESISTOR | RN72K2E-000JE | 1 | 435220004R1 |
| R2101 | CHIP TYPE CARBON RESISTOR | RN72K1J-750JE | 1 | 435037504R1 |
| R2102 | CHIP TYPE CARBON RESISTOR | RN72K1J-750JE | 1 | 435037504R1 |
| R2110 | CHIP TYPE CARBON RESISTOR | RN72K1J-750JE | 1 | 435037504R1 |
| R2111 | CHIP TYPE CARBON RESISTOR | RN72K1J-750JE | 1 | 435037504R1 |
| R2112 | CHIP TYPE CARBON RESISTOR | RN72K1J-750JE | 1 | 435037504R1 |
| R2117 | CHIP TYPE CARBON RESISTOR | RN72K1J-750JE | 1 | 435037504R1 |
| R2118 | CHIP TYPE CARBON RESISTOR | RN72K1J-750JE | 1 | 435037504R1 |
| R2119 | CHIP TYPE CARBON RESISTOR | RN72K1J-750JE | 1 | 435037504R1 |
| R22 | CHIP TYPE CARBON RESISTOR | RN72K2E-000JE | 1 | 435220004R1 |
| R2200 | CHIP TYPE CARBON RESISTOR | RN72K1J-000JE | 1 | 435030004R1 |
| R2201 | CHIP TYPE CARBON RESISTOR | RN72K1J-000JE | 1 | 435030004R1 |
| R2202 | CHIP TYPE CARBON RESISTOR | RN72K1J-000JE | 1 | 435030004R1 |
| R2203 | CHIP TYPE CARBON RESISTOR | RN72K1J-000JE | 1 | 435030004R1 |
| R2204 | CHIP TYPE CARBON RESISTOR | RN72K1J-750JE | 1 | 435037504R1 |
| R2207 | CHIP TYPE CARBON RESISTOR | RN72K1J-103JE | 1 | 435031034R1 |
| R2208 | CHIP TYPE CARBON RESISTOR | RN72K1J-103JE | 1 | 435031034R1 |
| R2209 | CHIP TYPE CARBON RESISTOR | RN72K1J-103JE | 1 | 435031034R1 |
| R2210 | CHIP TYPE CARBON RESISTOR | RN72K1J-103JE | 1 | 435031034R1 |
| R2301 | CHIP TYPE CARBON RESISTOR | RN72K1J-103JE | 1 | 435031034R1 |
| R2302 | CHIP TYPE CARBON RESISTOR | RN72K1J-103JE | 1 | 435031034R1 |
| R2357 | CHIP TYPE CARBON RESISTOR | RN72K1J-102JE | 1 | 435031024R1 |
| R2359 | CHIP TYPE CARBON RESISTOR | RN72K1J-102JE | 1 | 435031024R1 |
| R2361 | CHIP TYPE CARBON RESISTOR | RN72K1J-102JE | 1 | 435031024R1 |
| R2362 | CHIP TYPE CARBON RESISTOR | RN72K1J-102JE | 1 | 435031024R1 |
| R3 | EMI SUPPRESSION FILTER | BK1608HS601-T | 1 | 230984R1 |
| R4 | EMI SUPPRESSION FILTER | BK1608HS601-T | 1 | 230984R1 |
| R5 | CHIP TYPE CARBON RESISTOR | RN72K1J-103JE | 1 | 435031034R1 |
| R5000 | CHIP TYPE CARBON RESISTOR | RN72K1J-000JE | 1 | 435030004R1 |
| R5001 | CHIP TYPE CARBON RESISTOR | RN72K1J-000JE | 1 | 435030004R1 |
| R5002 | CHIP TYPE CARBON RESISTOR | RN72K1J-000JE | 1 | 435030004R1 |
| R5010 | CHIP TYPE CARBON RESISTOR | RN72K1J-563JE | 1 | 435035634R1 |
| R5011 | CHIP TYPE CARBON RESISTOR | RN72K1J-563JE | 1 | 435035634R1 |
| R5012 | CHIP TYPE CARBON RESISTOR | RN72K1J-563JE | 1 | 435035634R1 |
| R5020 | CHIP TYPE CARBON RESISTOR | RN72K1J-331JE | 1 | 435033314R1 |
| R5021 | CHIP TYPE CARBON RESISTOR | RN72K1J-331JE | 1 | 435033314R1 |
| R5022 | CHIP TYPE CARBON RESISTOR | RN72K1J-331JE | 1 | 435033314R1 |
| R5030 | NON-FLAMMABLE CARBON FILM RESISTOR | R25J-56K | 1 | 415475634T |
| R5031 | NON-FLAMMABLE CARBON FILM RESISTOR | R25J-56K | 1 | 415475634T |
| R5032 | NON-FLAMMABLE CARBON FILM RESISTOR | R25J-56K | 1 | 415475634T |
| R5040 | CHIP TYPE CARBON RESISTOR | RN72K1J-182JE | 1 | 435031824R1 |
| R5041 | CHIP TYPE CARBON RESISTOR | RN72K1J-182JE | 1 | 435031824R1 |
| R5042 | CHIP TYPE CARBON RESISTOR | RN72K1J-182JE | 1 | 435031824R1 |
| R5050 | CHIP TYPE CARBON RESISTOR | RN72K1J-562JE | 1 | 435035624R1 |
| R5051 | CHIP TYPE CARBON RESISTOR | RN72K1J-562JE | 1 | 435035624R1 |
| R5052 | CHIP TYPE CARBON RESISTOR | RN72K1J-562JE | 1 | 435035624R1 |
| R5060 | CHIP TYPE CARBON RESISTOR | RN72K1J-182JE | 1 | 435031824R1 |
| R5061 | CHIP TYPE CARBON RESISTOR | RN72K1J-182JE | 1 | 435031824R1 |
| R5062 | CHIP TYPE CARBON RESISTOR | RN72K1J-182JE | 1 | 435031824R1 |
| R5070 | CHIP TYPE CARBON RESISTOR | RN72K1J-152JE | 1 | 435031524R1 |
| R5071 | CHIP TYPE CARBON RESISTOR | RN72K1J-152JE | 1 | 435031524R1 |
| R5072 | CHIP TYPE CARBON RESISTOR | RN72K1J-152JE | 1 | 435031524R1 |
| R5080 | CHIP TYPE CARBON RESISTOR | RN72K1J-152JE | 1 | 435031524R1 |
| R5081 | CHIP TYPE CARBON RESISTOR | RN72K1J-152JE | 1 | 435031524R1 |
| R5082 | CHIP TYPE CARBON RESISTOR | RN72K1J-152JE | 1 | 435031524R1 |
| R5090 | CHIP TYPE CARBON RESISTOR | RN72K2E-104JE | 1 | 435221044R1 |
| R5091 | CHIP TYPE CARBON RESISTOR | RN72K2E-104JE | 1 | 435221044R1 |
| R5092 | CHIP TYPE CARBON RESISTOR | RN72K2E-104JE | 1 | 435221044R1 |

| | | | | |
|-------|------------------------------------|---------------|---|-------------|
| R5100 | CHIP TYPE CARBON RESISTOR | RN72K1J-104JE | 1 | 435031044R1 |
| R5101 | CHIP TYPE CARBON RESISTOR | RN72K1J-104JE | 1 | 435031044R1 |
| R5102 | CHIP TYPE CARBON RESISTOR | RN72K1J-104JE | 1 | 435031044R1 |
| R5110 | CHIP TYPE CARBON RESISTOR | RN72K1J-152JE | 1 | 435031524R1 |
| R5111 | CHIP TYPE CARBON RESISTOR | RN72K1J-152JE | 1 | 435031524R1 |
| R5112 | CHIP TYPE CARBON RESISTOR | RN72K1J-152JE | 1 | 435031524R1 |
| R5120 | NON-FLAMMABLE CARBON FILM RESISTOR | R25J-33K | 1 | 415473334T |
| R5121 | NON-FLAMMABLE CARBON FILM RESISTOR | R25J-33K | 1 | 415473334T |
| R5122 | NON-FLAMMABLE CARBON FILM RESISTOR | R25J-33K | 1 | 415473334T |
| R5130 | NON-FLAMMABLE CARBON FILM RESISTOR | R25J-33K | 1 | 415473334T |
| R5131 | NON-FLAMMABLE CARBON FILM RESISTOR | R25J-33K | 1 | 415473334T |
| R5132 | NON-FLAMMABLE CARBON FILM RESISTOR | R25J-33K | 1 | 415473334T |
| R5160 | NON-FLAMMABLE CARBON FILM RESISTOR | R25J-150 | 1 | 415471514T |
| R5161 | NON-FLAMMABLE CARBON FILM RESISTOR | R25J-150 | 1 | 415471514T |
| R5162 | NON-FLAMMABLE CARBON FILM RESISTOR | R25J-150 | 1 | 415471514T |
| R5170 | NON-FLAMMABLE CARBON FILM RESISTOR | R25J-150 | 1 | 415471514T |
| R5171 | NON-FLAMMABLE CARBON FILM RESISTOR | R25J-150 | 1 | 415471514T |
| R5172 | NON-FLAMMABLE CARBON FILM RESISTOR | R25J-150 | 1 | 415471514T |
| R5180 | NON-FLAMMABLE CARBON FILM RESISTOR | R25J-10 | 1 | 415471004T |
| R5181 | NON-FLAMMABLE CARBON FILM RESISTOR | R25J-10 | 1 | 415471004T |
| R5182 | NON-FLAMMABLE CARBON FILM RESISTOR | R25J-10 | 1 | 415471004T |
| R5190 | NON-FLAMMABLE CARBON FILM RESISTOR | R25J-10 | 1 | 415471004T |
| R5191 | NON-FLAMMABLE CARBON FILM RESISTOR | R25J-10 | 1 | 415471004T |
| R5192 | NON-FLAMMABLE CARBON FILM RESISTOR | R25J-10 | 1 | 415471004T |
| R5300 | CHIP TYPE CARBON RESISTOR | RN72K1J-151JE | 1 | 435031514R1 |
| R5301 | CHIP TYPE CARBON RESISTOR | RN72K1J-151JE | 1 | 435031514R1 |
| R5302 | CHIP TYPE CARBON RESISTOR | RN72K1J-151JE | 1 | 435031514R1 |
| R5310 | CHIP TYPE CARBON RESISTOR | RN72K1J-151JE | 1 | 435031514R1 |
| R5311 | CHIP TYPE CARBON RESISTOR | RN72K1J-151JE | 1 | 435031514R1 |
| R5312 | CHIP TYPE CARBON RESISTOR | RN72K1J-151JE | 1 | 435031514R1 |
| R5390 | CHIP TYPE CARBON RESISTOR | RN72K1J-152FE | 1 | 435031522R1 |
| R5391 | CHIP TYPE CARBON RESISTOR | RN72K1J-182FE | 1 | 435031822R1 |
| R5392 | CHIP TYPE CARBON RESISTOR | RN72K1J-152FE | 1 | 435031522R1 |
| R6 | CHIP TYPE CARBON RESISTOR | RN72K1J-472JE | 1 | 435034724R1 |
| R6020 | NON-FLAMMABLE CARBON FILM RESISTOR | R25J-2.2 | 1 | 415470224T |
| R6021 | NON-FLAMMABLE CARBON FILM RESISTOR | R25J-2.2 | 1 | 415470224T |
| R6022 | NON-FLAMMABLE CARBON FILM RESISTOR | R25J-2.2 | 1 | 415470224T |
| R6030 | CHIP TYPE CARBON RESISTOR | RN72K1J-152FE | 1 | 435031522R1 |
| R6031 | CHIP TYPE CARBON RESISTOR | RN72K1J-152FE | 1 | 435031522R1 |
| R6032 | CHIP TYPE CARBON RESISTOR | RN72K1J-152FE | 1 | 435031522R1 |
| R6050 | CHIP TYPE CARBON RESISTOR | RN72K1J-000JE | 1 | 435030004R1 |
| R6051 | CHIP TYPE CARBON RESISTOR | RN72K1J-000JE | 1 | 435030004R1 |
| R6052 | CHIP TYPE CARBON RESISTOR | RN72K1J-000JE | 1 | 435030004R1 |
| R6060 | CHIP TYPE CARBON RESISTOR | RN72K1J-152FE | 1 | 435031522R1 |
| R6061 | CHIP TYPE CARBON RESISTOR | RN72K1J-152FE | 1 | 435031522R1 |
| R6062 | CHIP TYPE CARBON RESISTOR | RN72K1J-152FE | 1 | 435031522R1 |
| R6070 | NON-FLAMMABLE CARBON FILM RESISTOR | R25J-100 | 1 | 415471014T |
| R6071 | NON-FLAMMABLE CARBON FILM RESISTOR | R25J-100 | 1 | 415471014T |
| R6072 | NON-FLAMMABLE CARBON FILM RESISTOR | R25J-100 | 1 | 415471014T |
| R7 | CHIP TYPE CARBON RESISTOR | RN72K1J-472JE | 1 | 435034724R1 |
| R7303 | CHIP TYPE CARBON RESISTOR | RN72K1J-000JE | 1 | 435030004R1 |
| R7502 | CHIP TYPE CARBON RESISTOR | RN72K1J-332JE | 1 | 435033324R1 |
| R7503 | CHIP TYPE CARBON RESISTOR | RN72K1J-332JE | 1 | 435033324R1 |
| R7504 | CHIP TYPE CARBON RESISTOR | RN72K1J-221JE | 1 | 435032214R1 |
| R7505 | CHIP TYPE CARBON RESISTOR | RN72K1J-221JE | 1 | 435032214R1 |
| R7507 | CHIP TYPE CARBON RESISTOR | RN72K1J-221JE | 1 | 435032214R1 |
| R7508 | CHIP TYPE CARBON RESISTOR | RN72K1J-221JE | 1 | 435032214R1 |
| R7512 | CHIP TYPE CARBON RESISTOR | RN72K1J-103JE | 1 | 435031034R1 |
| R7513 | CHIP TYPE CARBON RESISTOR | RN72K1J-332JE | 1 | 435033324R1 |
| R7517 | CHIP TYPE CARBON RESISTOR | RN72K1J-103JE | 1 | 435031034R1 |
| R7518 | CHIP TYPE CARBON RESISTOR | RN72K1J-822JE | 1 | 435038224R1 |
| R7521 | CHIP TYPE CARBON RESISTOR | RN72K1J-103JE | 1 | 435031034R1 |
| R7522 | CHIP TYPE CARBON RESISTOR | RN72K1J-103JE | 1 | 435031034R1 |
| R7523 | CHIP TYPE CARBON RESISTOR | RN72K1J-103JE | 1 | 435031034R1 |
| R7524 | CHIP TYPE CARBON RESISTOR | RN72K1J-103JE | 1 | 435031034R1 |
| R7533 | CHIP TYPE CARBON RESISTOR | RN72K1J-221JE | 1 | 435032214R1 |
| R7541 | CHIP TYPE CARBON RESISTOR | RN72K1J-101JE | 1 | 435031014R1 |

| | | | | |
|-------|---------------------------|---------------|---|-------------|
| R7542 | CHIP TYPE CARBON RESISTOR | RN72K1J-102JE | 1 | 435031024R1 |
| R7601 | CHIP TYPE CARBON RESISTOR | RN72K1J-271JE | 1 | 435032714R1 |
| R7602 | CHIP TYPE CARBON RESISTOR | RN72K1J-331JE | 1 | 435033314R1 |
| R7603 | CHIP TYPE CARBON RESISTOR | RN72K1J-471JE | 1 | 435034714R1 |
| R7604 | CHIP TYPE CARBON RESISTOR | RN72K1J-561JE | 1 | 435035614R1 |
| R7605 | CHIP TYPE CARBON RESISTOR | RN72K1J-821JE | 1 | 435038214R1 |
| R7606 | CHIP TYPE CARBON RESISTOR | RN72K1J-122JE | 1 | 435031224R1 |
| R7607 | CHIP TYPE CARBON RESISTOR | RN72K1J-222JE | 1 | 435032224R1 |
| R7608 | CHIP TYPE CARBON RESISTOR | RN72K1J-392JE | 1 | 435033924R1 |
| R7609 | CHIP TYPE CARBON RESISTOR | RN72K1J-123JE | 1 | 435031234R1 |
| R7611 | CHIP TYPE CARBON RESISTOR | RN72K1J-271JE | 1 | 435032714R1 |
| R7612 | CHIP TYPE CARBON RESISTOR | RN72K1J-331JE | 1 | 435033314R1 |
| R7613 | CHIP TYPE CARBON RESISTOR | RN72K1J-471JE | 1 | 435034714R1 |
| R7614 | CHIP TYPE CARBON RESISTOR | RN72K1J-561JE | 1 | 435035614R1 |
| R7615 | CHIP TYPE CARBON RESISTOR | RN72K1J-821JE | 1 | 435038214R1 |
| R7616 | CHIP TYPE CARBON RESISTOR | RN72K1J-122JE | 1 | 435031224R1 |
| R7617 | CHIP TYPE CARBON RESISTOR | RN72K1J-222JE | 1 | 435032224R1 |
| R7618 | CHIP TYPE CARBON RESISTOR | RN72K1J-392JE | 1 | 435033924R1 |
| R7619 | CHIP TYPE CARBON RESISTOR | RN72K1J-123JE | 1 | 435031234R1 |
| R7621 | CHIP TYPE CARBON RESISTOR | RN72K1J-271JE | 1 | 435032714R1 |
| R7622 | CHIP TYPE CARBON RESISTOR | RN72K1J-331JE | 1 | 435033314R1 |
| R7623 | CHIP TYPE CARBON RESISTOR | RN72K1J-471JE | 1 | 435034714R1 |
| R7624 | CHIP TYPE CARBON RESISTOR | RN72K1J-561JE | 1 | 435035614R1 |
| R7625 | CHIP TYPE CARBON RESISTOR | RN72K1J-821JE | 1 | 435038214R1 |
| R7626 | CHIP TYPE CARBON RESISTOR | RN72K1J-122JE | 1 | 435031224R1 |
| R7627 | CHIP TYPE CARBON RESISTOR | RN72K1J-222JE | 1 | 435032224R1 |
| R7628 | CHIP TYPE CARBON RESISTOR | RN72K1J-392JE | 1 | 435033924R1 |
| R7629 | CHIP TYPE CARBON RESISTOR | RN72K1J-123JE | 1 | 435031234R1 |
| R7631 | CHIP TYPE CARBON RESISTOR | RN72K1J-271JE | 1 | 435032714R1 |
| R7632 | CHIP TYPE CARBON RESISTOR | RN72K1J-331JE | 1 | 435033314R1 |
| R7633 | CHIP TYPE CARBON RESISTOR | RN72K1J-471JE | 1 | 435034714R1 |
| R7634 | CHIP TYPE CARBON RESISTOR | RN72K1J-561JE | 1 | 435035614R1 |
| R7635 | CHIP TYPE CARBON RESISTOR | RN72K1J-821JE | 1 | 435038214R1 |
| R7636 | CHIP TYPE CARBON RESISTOR | RN72K1J-122JE | 1 | 435031224R1 |
| R7637 | CHIP TYPE CARBON RESISTOR | RN72K1J-222JE | 1 | 435032224R1 |
| R7638 | CHIP TYPE CARBON RESISTOR | RN72K1J-392JE | 1 | 435033924R1 |
| R7661 | CHIP TYPE CARBON RESISTOR | RN72K1J-221JE | 1 | 435032214R1 |
| R7662 | CHIP TYPE CARBON RESISTOR | RN72K1J-221JE | 1 | 435032214R1 |
| R7711 | CHIP TYPE CARBON RESISTOR | RN72K1J-331JE | 1 | 435033314R1 |
| R7712 | CHIP TYPE CARBON RESISTOR | RN72K1J-331JE | 1 | 435033314R1 |
| R7713 | CHIP TYPE CARBON RESISTOR | RN72K1J-750JE | 1 | 435037504R1 |
| R7801 | CHIP TYPE CARBON RESISTOR | RN72K1J-101JE | 1 | 435031014R1 |
| R7803 | CHIP TYPE CARBON RESISTOR | RN72K1J-472JE | 1 | 435034724R1 |
| R7804 | CHIP TYPE CARBON RESISTOR | RN72K1J-221JE | 1 | 435032214R1 |
| R7805 | CHIP TYPE CARBON RESISTOR | RN72K1J-473JE | 1 | 435034734R1 |
| R7806 | CHIP TYPE CARBON RESISTOR | RN72K1J-222JE | 1 | 435032224R1 |
| R7808 | CHIP TYPE CARBON RESISTOR | RN72K1J-333JE | 1 | 435033334R1 |
| R7809 | CHIP TYPE CARBON RESISTOR | RN72K1J-471JE | 1 | 435034714R1 |
| R7810 | CHIP TYPE CARBON RESISTOR | RN72K1J-000JE | 1 | 435030004R1 |
| R7811 | CHIP TYPE CARBON RESISTOR | RN72K1J-391JE | 1 | 435033914R1 |
| R7812 | CHIP TYPE CARBON RESISTOR | RN72K1J-391JE | 1 | 435033914R1 |
| R7814 | CHIP TYPE CARBON RESISTOR | RN72K1J-224JE | 1 | 435032244R1 |
| R7815 | CHIP TYPE CARBON RESISTOR | RN72K1J-391JE | 1 | 435033914R1 |
| R7816 | CHIP TYPE CARBON RESISTOR | RN72K1J-391JE | 1 | 435033914R1 |
| R7820 | CHIP TYPE CARBON RESISTOR | RN72K1J-473JE | 1 | 435034734R1 |
| R7834 | CHIP TYPE CARBON RESISTOR | RN72K1J-102JE | 1 | 435031024R1 |
| R7950 | CHIP TYPE CARBON RESISTOR | RN72K1J-015JE | 1 | 435030154R1 |
| R7951 | METAL OXIDE FILM RESISTOR | RS1WBJ-33 | 1 | 443623304T |
| R7952 | METAL OXIDE FILM RESISTOR | RS1WBJ-33 | 1 | 443623304T |
| R7960 | METAL RESISTOR | RNU1/2WCJ-8.2 | 1 | 453530824T |
| R7962 | CHIP TYPE CARBON RESISTOR | RN72K1J-472JE | 1 | 435034724R1 |
| R7963 | CHIP TYPE CARBON RESISTOR | RN72K1J-472JE | 1 | 435034724R1 |
| R7965 | CHIP TYPE CARBON RESISTOR | RN72K1J-047JE | 1 | 435030474R1 |
| R7966 | CHIP TYPE CARBON RESISTOR | RN72K1J-473JE | 1 | 435034734R1 |
| R7967 | CHIP TYPE CARBON RESISTOR | RN72K1J-473JE | 1 | 435034734R1 |
| R7968 | CHIP TYPE CARBON RESISTOR | RN72K1J-333JE | 1 | 435033334R1 |
| R8 | CHIP TYPE CARBON RESISTOR | RN72K1J-101JE | 1 | 435031014R1 |

| | | | | | |
|-----------------|---------------------------|------------------------------|------|--------------|---|
| R9 | CHIP TYPE CARBON RESISTOR | RN72K1J-101JE | 1 | 435031014R1 | |
| R9015 | METAL OXIDE FILM RESISTOR | RS1/2WBJ-100 | 1 | 443521014T | |
| R9022 | CHIP TYPE CARBON RESISTOR | RN72K1J-823JE | 1 | 435038234R1 | |
| R9034 | CHIP TYPE CARBON RESISTOR | RN72K1J-104JE | 1 | 435031044R1 | |
| [SW TRM] | | | | | |
| F9001C | FUSE HOLDER | NSCT-1P2031 | 1 | 25052133T | ! |
| F9001D | FUSE HOLDER | NSCT-1P2031 | 1 | 25052133T | ! |
| P1 | TERMINAL | NTM-1PDSC437 | 1 | 25060515 | |
| P101A | SOCKET | NSCT-7P2100 | 1 | 25052203 | |
| P2 | TERMINAL | NTM-2PDML439 | 1 | 25060517 | |
| P2000 | ST JACK | MSJ-035-22 | 1 | 25045887 | |
| P2051 | PIN JACK | NPJ-1PDO554 | 1 | 25045772 | |
| P2203 | PIN JACK | NPJ-3PDGLR767 | 1 | 25046030 | N |
| P2204 | PIN JACK | NPJ-3PDGLR767 | 1 | 25046030 | N |
| P2205 | PIN JACK | NPJ-1PDY658 | 1 | 25045886 | |
| P2206 | PIN JACK | NPJ-1PDY658 | 1 | 25045886 | |
| P2800A | SOCKET | NSCT-23P2414 | 1 | 25052517 | |
| P2801 | WIRE HARNESS ASSEMBLY | NSAS-3P2093 | 1 | 2009991282UL | |
| P2801A | WIRE HOL | NSCT-3P874 | 1 | 25051087 | |
| P2801Aor | WIRE HOL | CHD-1.5-3 | (1) | 25053535 | |
| P5509B | RETAINER | (CLA-L) | 1 | 27142312 | |
| P6000A | SOCKET | NSCT-9P2189 | 1 | 25052292 | |
| P6001A | SOCKET | NSCT-9P2189 | 1 | 25052292 | |
| P6002A | SOCKET | NSCT-9P2189 | 1 | 25052292 | |
| P7001B | SOCKET | NSCT-23P2441 | 1 | 25052544 | |
| P7003 | WIRE HARNESS ASSEMBLY | NSAS-7P2128 | 1 | 2009991317UL | |
| P7003A | WIRE HOL | NSCT-7P878 | 1 | 25051091 | |
| P7003Aor | WIRE HOL | CHD-1.5-7 | (1) | 25053537 | N |
| P7702 | PIN JACK | NPJ-3PDB735 | 1 | 25045978 | |
| P7703 | RETAINER | (GND) | 1 | 27142222A | |
| P7802 | ST JACK | MSJ-035-105C-B-RF-SR-PC(ONA) | 1 | 25045990 | |
| P9001A | PLUG | NPLG-2P631 | 1 | 25055675 | |
| P9002 | PLUG | NPLG-2P631 | 1 | 25055675 | |
| P9011 | WIRE HARNESS ASSEMBLY | NSAS-5P2111 | 1 | 2009991300UL | |
| P9011A | WIRE HOL | NSCT-5P876 | 1 | 25051089 | |
| P9011Aor | WIRE HOL | CHD-1.5-5 | (1) | 25053536 | |
| P9021 | TRM-423(SCREW) | NEJITANSI ST3 | 1 | 25060495 | |
| P9022 | TRM-423(SCREW) | NEJITANSI ST3 | 1 | 25060495 | |
| P9501B | PLUG | NPLG-5P220 | 1 | 25055236 | |
| P9502B | PLUG | NPLG-3P117 | 1 | 25055133 | |
| RL9001 | RELAY | NRL-1P10A-DC9-188 | 1 | 25065693 | ! |
| S7502 | ROTARY ENCODER | EC12E2425WITH WASHER | 1 | 25065655W | |
| S7600 | PUSH SWITCH | NPS-111-S681 | 1 | 25035718T | |
| S7601 | PUSH SWITCH | NPS-111-S681 | 1 | 25035718T | |
| S7605 | PUSH SWITCH | NPS-111-S681 | 1 | 25035718T | |
| S7606 | PUSH SWITCH | NPS-111-S681 | 1 | 25035718T | |
| S7607 | PUSH SWITCH | NPS-111-S681 | 1 | 25035718T | |
| S7608 | PUSH SWITCH | NPS-111-S681 | 1 | 25035718T | |
| S7609 | PUSH SWITCH | NPS-111-S681 | 1 | 25035718T | |
| S7611 | PUSH SWITCH | NPS-111-S681 | 1 | 25035718T | |
| S7612 | PUSH SWITCH | NPS-111-S681 | 1 | 25035718T | |
| S7613 | PUSH SWITCH | NPS-111-S681 | 1 | 25035718T | |
| S7614 | PUSH SWITCH | NPS-111-S681 | 1 | 25035718T | |
| S7615 | PUSH SWITCH | NPS-111-S681 | 1 | 25035718T | |
| S7616 | PUSH SWITCH | NPS-111-S681 | 1 | 25035718T | |
| S7618 | PUSH SWITCH | NPS-111-S681 | 1 | 25035718T | |
| S7619 | PUSH SWITCH | NPS-111-S681 | 1 | 25035718T | |
| S7620 | PUSH SWITCH | NPS-111-S681 | 1 | 25035718T | |
| S7621 | PUSH SWITCH | NPS-111-S681 | 1 | 25035718T | |
| S7622 | PUSH SWITCH | NPS-111-S681 | 1 | 25035718T | |
| S7623 | PUSH SWITCH | NPS-111-S681 | 1 | 25035718T | |
| S7624 | PUSH SWITCH | NPS-111-S681 | 1 | 25035718T | |
| S7625 | PUSH SWITCH | NPS-111-S681 | 1 | 25035718T | |
| S7626 | PUSH SWITCH | NPS-111-S681 | 1 | 25035718T | |
| S7629 | PUSH SWITCH | NPS-111-S681 | 1 | 25035718T | |
| S7630 | PUSH SWITCH | NPS-111-S681 | 1 | 25035718T | |
| S7631 | PUSH SWITCH | NPS-111-S681 | 1 | 25035718T | |

| | | | | |
|-------|-------------|--------------|---|-----------|
| S7632 | PUSH SWITCH | NPS-111-S681 | 1 | 25035718T |
| S7633 | PUSH SWITCH | NPS-111-S681 | 1 | 25035718T |
| S7634 | PUSH SWITCH | NPS-111-S681 | 1 | 25035718T |
| S7635 | PUSH SWITCH | NPS-111-S681 | 1 | 25035718T |
| S7636 | PUSH SWITCH | NPS-111-S681 | 1 | 25035718T |
| S7637 | PUSH SWITCH | NPS-111-S681 | 1 | 25035718T |
| S7638 | PUSH SWITCH | NPS-111-S681 | 1 | 25035718T |

U004

BAPRC-1758-1D

: NSP

| CIRCUIT NC | PART NAME | DESCRIPTION | Q'TY | PART NO. (SN) | REMARKS |
|-------------------------|-----------------|---------------------------|------|----------------|---------|
| [SEMI CONDUCTOR] | | | | | |
| D3402 | CHIP TYPE DIODE | DA2J10100 | 1 | 223303R2 | |
| D3402 or | CHIP TYPE DIODE | 1SS352 | (1) | 223234R2 | |
| D7001 | CHIP TYPE DIODE | DA2J10100 | 1 | 223303R2 | |
| D7001 or | CHIP TYPE DIODE | 1SS352 | (1) | 223234R2 | |
| D7002 | CHIP TYPE DIODE | DA2J10100 | 1 | 223303R2 | |
| D7002 or | CHIP TYPE DIODE | 1SS352 | (1) | 223234R2 | |
| D7003 | CHIP TYPE DIODE | DA2J10100 | 1 | 223303R2 | |
| D7003 or | CHIP TYPE DIODE | 1SS352 | (1) | 223234R2 | |
| D7004 | CHIP TYPE DIODE | DA2J10100 | 1 | 223303R2 | |
| D7004 or | CHIP TYPE DIODE | 1SS352 | (1) | 223234R2 | |
| D7005 | CHIP TYPE DIODE | DA2J10100 | 1 | 223303R2 | |
| D7005 or | CHIP TYPE DIODE | 1SS352 | (1) | 223234R2 | |
| D7006 | DIODE | CUS357 | 1 | 223320R2 | N |
| D7006 or | CHIP TYPE DIODE | 1SS357 | (1) | 223281R2 | |
| D7007 | CHIP TYPE DIODE | DA2J10100 | 1 | 223303R2 | |
| D7007 or | CHIP TYPE DIODE | 1SS352 | (1) | 223234R2 | |
| D7011 | CHIP TYPE DIODE | DA2J10100 | 1 | 223303R2 | |
| D7011 or | CHIP TYPE DIODE | 1SS352 | (1) | 223234R2 | |
| D7012 | CHIP TYPE DIODE | DA2J10100 | 1 | 223303R2 | |
| D7012 or | CHIP TYPE DIODE | 1SS352 | (1) | 223234R2 | |
| D8002 | ESD | IMSA-6802-01Y901_1608SIZE | 1 | 4000255AR1 | |
| D8151 | DIODE | CUS357 | 1 | 223320R2 | N |
| D8151 or | CHIP TYPE DIODE | 1SS357 | (1) | 223281R2 | |
| D8201 | DIODE | CUS357 | 1 | 223320R2 | N |
| D8201 or | CHIP TYPE DIODE | 1SS357 | (1) | 223281R2 | |
| D8702 | CHIP TYPE DIODE | DA2J10100 | 1 | 223303R2 | |
| D8702 or | CHIP TYPE DIODE | 1SS352 | (1) | 223234R2 | |
| D8902 | CHIP TYPE DIODE | DA2J10100 | 1 | 223303R2 | |
| D8902 or | CHIP TYPE DIODE | 1SS352 | (1) | 223234R2 | |
| D8906 | CHIP TYPE DIODE | DA2J10100 | 1 | 223303R2 | |
| D8906 or | CHIP TYPE DIODE | 1SS352 | (1) | 223234R2 | |
| D8907 | CHIP TYPE DIODE | DA2J10100 | 1 | 223303R2 | |
| D8907 or | CHIP TYPE DIODE | 1SS352 | (1) | 223234R2 | |
| D8951 | DIODE | CUS357 | 1 | 223320R2 | N |
| D8951 or | CHIP TYPE DIODE | 1SS357 | (1) | 223281R2 | |
| D8962 | DIODE | RB050M-30GTR | 1 | 22380373R2 | |
| D8963 | DIODE | RB050M-30GTR | 1 | 22380373R2 | |
| D8964 | CHIP TYPE DIODE | 1SR154-400 | 1 | 22380284R2 | |
| D8965 | CHIP TYPE DIODE | DA2J10100 | 1 | 223303R2 | |
| D8965 or | CHIP TYPE DIODE | 1SS352 | (1) | 223234R2 | |
| Q1004 | HYBRID IC | PCM1690DCAR | 1 | 22242599R2 | |
| Q1005 | HYBRID IC | PCM9211PTR | 1 | 22242703R2 | |
| Q1007 | HYBRID IC | 74VHC4040FT | 1 | 22274040E1R2TO | |
| Q1008 | HYBRID IC | TC7WH241FU(TE12L_F) | 1 | 22242076R2TO | |
| Q1090 | HYBRID IC | MM3404A50NRE | 1 | 22242701R2 | |
| Q1091 | HYBRID IC | S-1333A33-M5T1U3 | 1 | 22242934R2 | |
| Q3111 | HYBRID IC | S-13A1A33-U5T1U3 | 1 | 22242844R2 | |
| Q3112 | HYBRID IC | XC25BS8040MR-G | 1 | 22242954R2 | N |
| Q3113 | TRANSISTOR | KRA307E | 1 | 2218380R2 | |
| Q3113 or | TRANSISTOR | RN2107 | (1) | 2218290R2 | |
| Q3114 | TRANSISTOR | KRC407E | 1 | 2218350R2 | N |
| Q3114 or | TRANSISTOR | RN1107 | (1) | 2218260R2 | N |

| | | | | | |
|----------|------------|---------------------|-----|---------------|----------|
| Q3121 | HYBRID IC | FP6861C-B1AS5CT | 1 | 22242840R2 | |
| Q3401 | HYBRID IC | S25FL164K0XMF1013 | 1 | 22242955R2 | |
| Q3404 | HYBRID IC | CS49844A-CQZ | 1 | 22242926R3 | N |
| Q3406 | HYBRID IC | M12L64164A-7TG2Y | 1 | 22242951R3 | |
| Q3410 | TRANSISTOR | KRC404E | 1 | 2216450R2 | |
| Q3410 or | TRANSISTOR | RN1104 | (1) | 2218240R2 | |
| Q7001 | HYBRID IC | M95640-WMN6TP | 1 | 22242643R2 | |
| Q7002 | TRANSISTOR | KRA302E | 1 | 2218360R2 | |
| Q7002 or | TRANSISTOR | RN2102 | (1) | 2218270R2 | |
| Q7005 | TRANSISTOR | KRC404E | 1 | 2216450R2 | |
| Q7005 or | TRANSISTOR | RN1104 | (1) | 2218240R2 | |
| Q7009 | HYBRID IC | MPD70F3746GJ-GAE-AX | 1 | 222W0079R3 | firmware |
| Q7011 | TRANSISTOR | KRA307E | 1 | 2218380R2 | |
| Q7011 or | TRANSISTOR | RN2107 | (1) | 2218290R2 | |
| Q7012 | TRANSISTOR | KRA307E | 1 | 2218380R2 | |
| Q7012 or | TRANSISTOR | RN2107 | (1) | 2218290R2 | |
| Q7013 | HYBRID IC | TC7WBL3305CFK | 1 | 22242965R2 | |
| Q7014 | TRANSISTOR | KRC402E | 1 | 2218330R2 | |
| Q7014 or | TRANSISTOR | RN1102 | (1) | 2218230R2 | |
| Q7015 | TRANSISTOR | KRC402E | 1 | 2218330R2 | |
| Q7015 or | TRANSISTOR | RN1102 | (1) | 2218230R2 | |
| Q7017 | TRANSISTOR | KRC404E | 1 | 2216450R2 | |
| Q7017 or | TRANSISTOR | RN1104 | (1) | 2218240R2 | |
| Q7018 | HYBRID IC | S-1333A33-M5T1U3 | 1 | 22242934R2 | |
| Q7020 | HYBRID IC | PST803C270NM | 1 | 22242894R2 | |
| Q7027 | HYBRID IC | S-1333A33-M5T1U3 | 1 | 22242934R2 | |
| Q8000 | HYBRID IC | MN864788A | 1 | 22242930R3 | N |
| Q8051 | TRANSISTOR | KRC404E | 1 | 2216450R2 | |
| Q8051 or | TRANSISTOR | RN1104 | (1) | 2218240R2 | |
| Q8052 | TRANSISTOR | 2SA1162-GR | 1 | 2214375R2 | |
| Q8052 or | TRANSISTOR | KTA1504-GR | (1) | 2216185R2 | |
| Q8101 | HYBRID IC | W25Q128FVFIG | 1 | 222W0136R2 | firmware |
| Q8115 | HYBRID IC | 74LCX125FT | 1 | 22274125BR2TO | |
| Q8151 | HYBRID IC | MM3404A50NRE | 1 | 22242701R2 | |
| Q8202 | HYBRID IC | ADV7180KCP32Z-RL | 1 | 22242763R2 | N |
| Q8203 | HYBRID IC | S-1333A18-M5T1U3 | 1 | 22242956R2 | |
| Q8204 | HYBRID IC | MM3404A50NRE | 1 | 22242701R2 | |
| Q8205 | HYBRID IC | S-1333A18-M5T1U3 | 1 | 22242956R2 | |
| Q8701 | HYBRID IC | TMPM361F10FG | 1 | 222W0115R3 | firmware |
| Q8704 | TRANSISTOR | KRA307E | 1 | 2218380R2 | |
| Q8704 or | TRANSISTOR | RN2107 | (1) | 2218290R2 | |
| Q8705 | TRANSISTOR | KRC402E | 1 | 2218330R2 | |
| Q8705 or | TRANSISTOR | RN1102 | (1) | 2218230R2 | |
| Q8706 | TRANSISTOR | KRC402E | 1 | 2218330R2 | |
| Q8706 or | TRANSISTOR | RN1102 | (1) | 2218230R2 | |
| Q8707 | TRANSISTOR | KRC402E | 1 | 2218330R2 | |
| Q8707 or | TRANSISTOR | RN1102 | (1) | 2218230R2 | |
| Q8708 | TRANSISTOR | KRC402E | 1 | 2218330R2 | |
| Q8708 or | TRANSISTOR | RN1102 | (1) | 2218230R2 | |
| Q8709 | TRANSISTOR | KRC402E | 1 | 2218330R2 | |
| Q8709 or | TRANSISTOR | RN1102 | (1) | 2218230R2 | |
| Q8714 | TRANSISTOR | KRC402E | 1 | 2218330R2 | |
| Q8714 or | TRANSISTOR | RN1102 | (1) | 2218230R2 | |
| Q8715 | TRANSISTOR | KRC402E | 1 | 2218330R2 | |
| Q8715 or | TRANSISTOR | RN1102 | (1) | 2218230R2 | |
| Q8716 | TRANSISTOR | KRC402E | 1 | 2218330R2 | |
| Q8716 or | TRANSISTOR | RN1102 | (1) | 2218230R2 | |
| Q8717 | TRANSISTOR | KRC402E | 1 | 2218330R2 | |
| Q8717 or | TRANSISTOR | RN1102 | (1) | 2218230R2 | |
| Q8718 | TRANSISTOR | KRC402E | 1 | 2218330R2 | |
| Q8718 or | TRANSISTOR | RN1102 | (1) | 2218230R2 | |
| Q8719 | TRANSISTOR | KRC402E | 1 | 2218330R2 | |
| Q8719 or | TRANSISTOR | RN1102 | (1) | 2218230R2 | |
| Q8720 | TRANSISTOR | KRC402E | 1 | 2218330R2 | |
| Q8720 or | TRANSISTOR | RN1102 | (1) | 2218230R2 | |
| Q8721 | TRANSISTOR | KRC402E | 1 | 2218330R2 | |
| Q8721 or | TRANSISTOR | RN1102 | (1) | 2218230R2 | |

| | | | | |
|---------------------|------------------------|----------------|------|---------------|
| Q8741 | HYBRID IC | 74LCX125FT | 1 | 22274125BR2TO |
| Q8901 | TRANSISTOR | 2SC2712-GR | 1 | 2213145R2 |
| Q8931 | HYBRID IC | FR9888CSPCTR | 1 | 22242839R2 |
| Q8941 | HYBRID IC | FR9888CSPCTR | 1 | 22242839R2 |
| Q8951 | HYBRID IC | FR9888CSPCTR | 1 | 22242839R2 |
| Q8961 | HYBRID IC | FR9887SPCTR | 1 | 22242935R2 |
| Q8962 | TRANSISTOR | 2SC2712-GR | 1 | 2213145R2 |
| Q8963 | TRANSISTOR | KRA302E | 1 | 2218360R2 |
| Q8963 or | TRANSISTOR | RN2102 | (1) | 2218270R2 |
| [TRANS COIL] | | | | |
| L1006 | CORE | BK1005LL241-T | 1 | 2350032R1 |
| L1007 | CORE | BK1005LL241-T | 1 | 2350032R1 |
| L1009 | CHOKE COIL | LBC2518T4R7M | 1 | 231364M047R2 |
| L1010 | CHOKE COIL | LBC2518T4R7M | 1 | 231364M047R2 |
| L1011 | CHOKE COIL | LBC2518T4R7M | 1 | 231364M047R2 |
| L1012 | CHOKE COIL | LBC2518T4R7M | 1 | 231364M047R2 |
| L1013 | CHOKE COIL | LBC2518T4R7M | 1 | 231364M047R2 |
| L1014 | CHOKE COIL | LBC2518T4R7M | 1 | 231364M047R2 |
| L3102 | CORE | BLM15PX121SN1D | 1 | 2350034R1 |
| L3111 | CHOKE COIL | LBC2518T4R7M | 1 | 231364M047R2 |
| L3403 | CORE | MMZ1608Y601BT | 1 | 2350004R1 |
| L3405 | CORE | BLM15PX121SN1D | 1 | 2350034R1 |
| L3406 | CORE | BLM15PX330SN1D | 1 | 2350043R1 |
| L3407 | CORE | BLM15PX121SN1D | 1 | 2350034R1 |
| L3408 | CORE | BLM15PX121SN1D | 1 | 2350034R1 |
| L3409 | CORE | BLM15PX181SN1D | 1 | 2350033R1 |
| L3411 | EMI SUPPRESSION FILTER | BLM15BD601SN1D | 1 | 2350037R1 |
| L7003 | CORE | BLM15PX181SN1D | 1 | 2350033R1 |
| L7007 | CORE | BLM15PX181SN1D | 1 | 2350033R1 |
| L8000 | CORE | BK1005LL241-T | 1 | 2350032R1 |
| L8001 | CORE | EXC24CH900U | 1 | 2350039R2 |
| L8002 | CORE | EXC24CH900U | 1 | 2350039R2 |
| L8003 | CORE | EXC24CH900U | 1 | 2350039R2 |
| L8004 | CORE | EXC24CH900U | 1 | 2350039R2 |
| L8006 | CORE | BK1005LL241-T | 1 | 2350032R1 |
| L8151 | CORE | BLM15PX121SN1D | 1 | 2350034R1 |
| L8152 | CORE | BLM15PX121SN1D | 1 | 2350034R1 |
| L8153 | CORE | BLM15PX121SN1D | 1 | 2350034R1 |
| L8154 | CORE | BLM15PX121SN1D | 1 | 2350034R1 |
| L8155 | CORE | BLM15PX121SN1D | 1 | 2350034R1 |
| L8156 | CORE | BLM15PX121SN1D | 1 | 2350034R1 |
| L8160 | CORE | BLM15PX121SN1D | 1 | 2350034R1 |
| L8161 | CORE | BLM15PX121SN1D | 1 | 2350034R1 |
| L8162 | CORE | BLM15PX121SN1D | 1 | 2350034R1 |
| L8163 | CORE | BLM15PX121SN1D | 1 | 2350034R1 |
| L8164 | CORE | BLM15PX121SN1D | 1 | 2350034R1 |
| L8165 | CORE | BLM15PX121SN1D | 1 | 2350034R1 |
| L8166 | CORE | BLM15PX121SN1D | 1 | 2350034R1 |
| L8167 | CORE | BLM15PX121SN1D | 1 | 2350034R1 |
| L8168 | CORE | BLM15PX121SN1D | 1 | 2350034R1 |
| L8202 | CORE | BLM15PX181SN1D | 1 | 2350033R1 |
| L8205 | CORE | BLM15PX181SN1D | 1 | 2350033R1 |
| L8207 | CORE | BLM15PX181SN1D | 1 | 2350033R1 |
| L8210 | CORE | BLM15PX181SN1D | 1 | 2350033R1 |
| L8701 | CORE | BLM15PX181SN1D | 1 | 2350033R1 |
| L8702 | CORE | BLM15PX181SN1D | 1 | 2350033R1 |
| L8931 | CHOKE COIL | BLM21PG221SN1 | 1 | 230949R2 |
| L8932 | CHOKE COIL | 1255AS-100M | 1 | 231482M100R2 |
| L8933 | CHOKE COIL | BLM21PG221SN1 | 1 | 230949R2 |
| L8934 | CHOKE COIL | BLM21PG221SN1 | 1 | 230949R2 |
| L8941 | CHOKE COIL | BLM21PG221SN1 | 1 | 230949R2 |
| L8942 | CHOKE COIL | 1255AS-100M | 1 | 231482M100R2 |
| L8943 | CHOKE COIL | BLM21PG221SN1 | 1 | 230949R2 |
| L8944 | CHOKE COIL | BLM21PG221SN1 | 1 | 230949R2 |
| L8951 | CHOKE COIL | BLM21PG221SN1 | 1 | 230949R2 |
| L8952 | CHOKE COIL | 1255AS-100M | 1 | 231482M100R2 |
| L8953 | CHOKE COIL | BLM21PG221SN1 | 1 | 230949R2 |

| | | | | |
|--------------------|-----------------------------|-------------------|------|--------------|
| L8954 | CHOKE COIL | BLM21PG221SN1 | 1 | 230949R2 |
| L8961 | CHOKE COIL | BLM21PG221SN1 | 1 | 230949R2 |
| L8962 | CHOKE COIL | 1255AS-100M | 1 | 231482M100R2 |
| X3401 | CRYSTAL | HC-49S 9C24.5760M | 1 | 3010516R2 |
| X7001 | CRYSTAL | CSTCR4M00G53-R0 | 1 | 3010536R2 |
| X8031 | CRYSTAL | HC-49S 9C27.0000M | 1 | 3010518R2 |
| X8201 | CRYSTAL | HC-49S 9C28.6363M | 1 | 3010519R2 |
| X8701 | CERAMIC RESONATOR | CSTCE8M00G55-R0 | 1 | 3010416R2 |
| [CAPACITOR] | | | | |
| C1011 | CHIP TYPE CERAMIC CAPACITOR | CK725B1A-105K0 | 1 | 332001055R1 |
| C1012 | CHIP ELECT C | CECS16V-47M | 1 | 398644707R2 |
| C1012 or | CHIP ELECT C | CEWX16V-47M | (1) | 398144707R2 |
| C1013 | CHIP TYPE CERAMIC CAPACITOR | CK725B1A-105K0 | 1 | 332001055R1 |
| C1014 | CHIP TYPE CERAMIC CAPACITOR | CK725B1C-104K0 | 1 | 332011045R1 |
| C1015 | CHIP ELECT C | CECS16V-47M | 1 | 398644707R2 |
| C1015 or | CHIP ELECT C | CEWX16V-47M | (1) | 398144707R2 |
| C1016 | CHIP TYPE CERAMIC CAPACITOR | CK725B1A-105K0 | 1 | 332001055R1 |
| C1017 | CHIP ELECT C | CECS16V-47M | 1 | 398644707R2 |
| C1017 or | CHIP ELECT C | CEWX16V-47M | (1) | 398144707R2 |
| C1018 | CHIP TYPE CERAMIC CAPACITOR | CK725B1C-104K0 | 1 | 332011045R1 |
| C1019 | CHIP ELECT C | CECS16V-47M | 1 | 398644707R2 |
| C1019 or | CHIP ELECT C | CEWX16V-47M | (1) | 398144707R2 |
| C1020 | CHIP ELECT C | CECS16V-47M | 1 | 398644707R2 |
| C1020 or | CHIP ELECT C | CEWX16V-47M | (1) | 398144707R2 |
| C1021 | CHIP TYPE CERAMIC CAPACITOR | CK725B1H-472K0 | 1 | 332034725R1 |
| C1022 | CHIP ELECT C | CECS16V-47M | 1 | 398644707R2 |
| C1022 or | CHIP ELECT C | CEWX16V-47M | (1) | 398144707R2 |
| C1023 | CHIP ELECT C | CECS16V-47M | 1 | 398644707R2 |
| C1023 or | CHIP ELECT C | CEWX16V-47M | (1) | 398144707R2 |
| C1025 | CHIP TYPE CERAMIC CAPACITOR | CK725B1H-223K0 | 1 | 332032235R1 |
| C1026 | CHIP TYPE CERAMIC CAPACITOR | CK725B1E-473K0 | 1 | 332024735R1 |
| C1027 | CHIP ELECT C | CECS16V-47M | 1 | 398644707R2 |
| C1027 or | CHIP ELECT C | CEWX16V-47M | (1) | 398144707R2 |
| C1038 | CHIP TYPE CERAMIC CAPACITOR | CK725B1C-104K0 | 1 | 332011045R1 |
| C1068 | CHIP TYPE CERAMIC CAPACITOR | CK725B1C-104K0 | 1 | 332011045R1 |
| C1069 | CHIP TYPE CERAMIC CAPACITOR | CK725B1C-104K0 | 1 | 332011045R1 |
| C1073 | CHIP TYPE CERAMIC CAPACITOR | CK725B1C-104K0 | 1 | 332011045R1 |
| C1074 | CHIP TYPE CERAMIC CAPACITOR | CK725B1C-104K0 | 1 | 332011045R1 |
| C1075 | CHIP TYPE CERAMIC CAPACITOR | CK725B1C-104K0 | 1 | 332011045R1 |
| C1079 | CHIP TYPE CERAMIC CAPACITOR | CK725B1C-104K0 | 1 | 332011045R1 |
| C1090 | CHIP TYPE CERAMIC CAPACITOR | CK725B1A-105K0 | 1 | 332001055R1 |
| C1092 | CHIP TYPE CERAMIC CAPACITOR | CK725B1A-105K0 | 1 | 332001055R1 |
| C1093 | CHIP TYPE CERAMIC CAPACITOR | CK725B1A-105K0 | 1 | 332001055R1 |
| C1094 | CHIP TYPE CERAMIC CAPACITOR | CK725B1A-105K0 | 1 | 332001055R1 |
| C3101 | CHIP TYPE CERAMIC CAPACITOR | CK725B1C-104K0 | 1 | 332011045R1 |
| C3102 | CHIP TYPE CERAMIC CAPACITOR | CK725B1H-102K0 | 1 | 332031025R1 |
| C3103 | CHIP TYPE CERAMIC CAPACITOR | CK725B0J-226M | 1 | 332092267R2 |
| C3104 | CHIP TYPE CERAMIC CAPACITOR | CK725B1H-102K0 | 1 | 332031025R1 |
| C3111 | CHIP TYPE CERAMIC CAPACITOR | CK732B16V-106K | 1 | 332071065R2 |
| C3112 | CHIP TYPE CERAMIC CAPACITOR | CK732B16V-106K | 1 | 332071065R2 |
| C3113 | CHIP TYPE CERAMIC CAPACITOR | CK725B1C-104K0 | 1 | 332011045R1 |
| C3114 | CHIP TYPE CERAMIC CAPACITOR | CK725B1C-104K0 | 1 | 332011045R1 |
| C3115 | CHIP TYPE CERAMIC CAPACITOR | CK725B1H-103K0 | 1 | 332031035R1 |
| C3117 | CHIP TYPE CERAMIC CAPACITOR | CK725B1A-105K0 | 1 | 332001055R1 |
| C3166 | CHIP TYPE CERAMIC CAPACITOR | CK725B1A-105K0 | 1 | 332001055R1 |
| C3202 | CHIP TYPE CERAMIC CAPACITOR | CK725B1A-105K0 | 1 | 332001055R1 |
| C3401 | CHIP TYPE CERAMIC CAPACITOR | CK725B1H-102K0 | 1 | 332031025R1 |
| C3402 | CHIP TYPE CERAMIC CAPACITOR | CK725B1C-104K0 | 1 | 332011045R1 |
| C3403 | CHIP TYPE CERAMIC CAPACITOR | CK725B1C-104K0 | 1 | 332011045R1 |
| C3404 | CHIP TYPE CERAMIC CAPACITOR | CK725B1C-104K0 | 1 | 332011045R1 |
| C3405 | CHIP TYPE CERAMIC CAPACITOR | CK725B1C-104K0 | 1 | 332011045R1 |
| C3406 | CHIP TYPE CERAMIC CAPACITOR | CK725B1A-105K0 | 1 | 332001055R1 |
| C3410 | CHIP TYPE CERAMIC CAPACITOR | CK725B1C-104K0 | 1 | 332011045R1 |
| C3411 | CHIP TYPE CERAMIC CAPACITOR | CK725B1C-104K0 | 1 | 332011045R1 |
| C3412 | CHIP TYPE CERAMIC CAPACITOR | CK725B1C-104K0 | 1 | 332011045R1 |
| C3413 | CHIP TYPE CERAMIC CAPACITOR | CC725CH1H-150J0 | 1 | 342031504R1 |
| C3414 | CHIP TYPE CERAMIC CAPACITOR | CC725CH1H-150J0 | 1 | 342031504R1 |

| | | | | |
|-------------------|-----------------------------|----------------|-------|---------------|
| C8955 | CHIP TYPE CERAMIC CAPACITOR | CK725B1H-103K0 | 1 | 332031035R1 |
| C8956 | CHIP TYPE CERAMIC CAPACITOR | CK725B0J-226M | 1 | 332092267R2 |
| C8957 | CHIP TYPE CERAMIC CAPACITOR | CK725B0J-226M | 1 | 332092267R2 |
| C8961 | CHIP TYPE CERAMIC CAPACITOR | CK725B1H-103K0 | 1 | 332031035R1 |
| C8962 | CHIP TYPE CERAMIC CAPACITOR | CK725B1C-104K0 | 1 | 332011045R1 |
| C8963 | CHIP TYPE CERAMIC CAPACITOR | CK725B1E-106K | 1 | 332221065R2 |
| C8964 | CHIP TYPE CERAMIC CAPACITOR | CK725B1E-106K | 1 | 332221065R2 |
| C8966 | CHIP TYPE CERAMIC CAPACITOR | CK725B0J-226M | 1 | 332092267R2 |
| C8967 | CHIP TYPE CERAMIC CAPACITOR | CK725B0J-226M | 1 | 332092267R2 |
| C8969 | CHIP TYPE CERAMIC CAPACITOR | CK725B1C-104K0 | 1 | 332011045R1 |
| [RESISTOR] | | | | |
| R1010 | CHIP TYPE CARBON RESISTOR | RN72K1J-103JE | 1 | 435031034R1 |
| R1011 | CHIP TYPE CARBON RESISTOR | RN72K1J-220JE | 1 | 435032204R1 |
| R1012 | CHIP TYPE CARBON RESISTOR | RN72K1J-471JE | 1 | 435034714R1 |
| R1013 | CHIP TYPE CARBON RESISTOR | RN72K1J-220JE | 1 | 435032204R1 |
| R1014 | CHIP TYPE CARBON RESISTOR | RN72K1J-220JE | 1 | 435032204R1 |
| R1015 | CHIP TYPE CARBON RESISTOR | RN72K1J-220JE | 1 | 435032204R1 |
| R1016 | CHIP TYPE CARBON RESISTOR | RN72K1J-220JE | 1 | 435032204R1 |
| R1017 | CHIP TYPE CARBON RESISTOR | RN72K1J-470JE | 1 | 435034704R1 |
| R1019 | CHIP TYPE CARBON RESISTOR | RN72K1J-470JE | 1 | 435034704R1 |
| R1020 | CHIP TYPE CARBON RESISTOR | RN72K1J-151JE | 1 | 435031514R1 |
| R1022 | CHIP TYPE CARBON RESISTOR | RN72K1J-151JE | 1 | 435031514R1 |
| R1023 | CHIP TYPE CARBON RESISTOR | RN72K1J-151JE | 1 | 435031514R1 |
| R1024 | CHIP TYPE CARBON RESISTOR | RN72K1J-221JE | 1 | 435032214R1 |
| R1025 | CHIP TYPE CARBON RESISTOR | RN72K1J-221JE | 1 | 435032214R1 |
| R1026 | CHIP TYPE CARBON RESISTOR | RN72K1J-221JE | 1 | 435032214R1 |
| R1027 | CHIP RESISTOR NETWORK | YCN104-221-JK | 1 | 43464C22104R1 |
| R1027 or | CHIP RESISTOR NETWORK | MNR04MRAPJ221 | (1) | 43464722104R2 |
| R1028 | CHIP TYPE CARBON RESISTOR | RN72K1J-472JE | 1 | 435034724R1 |
| R1030 | CHIP TYPE CARBON RESISTOR | RN72K1J-472JE | 1 | 435034724R1 |
| R1031 | CHIP TYPE CARBON RESISTOR | RN72K1J-221JE | 1 | 435032214R1 |
| R1032 | CHIP TYPE CARBON RESISTOR | RN72K1J-221JE | 1 | 435032214R1 |
| R1034 | CHIP TYPE CARBON RESISTOR | RN72K1J-221JE | 1 | 435032214R1 |
| R1035 | CHIP TYPE CARBON RESISTOR | RN72K1J-331JE | 1 | 435033314R1 |
| R1036 | CHIP TYPE CARBON RESISTOR | RN72K1J-221JE | 1 | 435032214R1 |
| R1037 | CHIP TYPE CARBON RESISTOR | RN72K1J-331JE | 1 | 435033314R1 |
| R1039 | CHIP TYPE CARBON RESISTOR | RN72K1J-330JE | 1 | 435033304R1 |
| R1040 | CHIP TYPE CARBON RESISTOR | RN72K1J-221JE | 1 | 435032214R1 |
| R1041 | CHIP TYPE CARBON RESISTOR | RN72K1J-221JE | 1 | 435032214R1 |
| R1042 | CHIP TYPE CARBON RESISTOR | RN72K1J-221JE | 1 | 435032214R1 |
| R1044 | CHIP TYPE CARBON RESISTOR | RN72K1J-221JE | 1 | 435032214R1 |
| R1046 | CHIP TYPE CARBON RESISTOR | RN72K1J-470JE | 1 | 435034704R1 |
| R1047 | CHIP TYPE CARBON RESISTOR | RN72K1J-681JE | 1 | 435036814R1 |
| R1050 | CHIP TYPE CARBON RESISTOR | RN72K1J-221JE | 1 | 435032214R1 |
| R1051 | CHIP TYPE CARBON RESISTOR | RN72K1J-221JE | 1 | 435032214R1 |
| R1055 | CHIP TYPE CARBON RESISTOR | RN72K1J-000JE | 1 | 435030004R1 |
| R1056 | CHIP TYPE CARBON RESISTOR | RN72K1J-000JE | 1 | 435030004R1 |
| R1060 | CHIP TYPE CARBON RESISTOR | RN72K1J-470JE | 1 | 435034704R1 |
| R1062 | CHIP TYPE CARBON RESISTOR | RN72K1J-221JE | 1 | 435032214R1 |
| R1064 | CHIP TYPE CARBON RESISTOR | RN72K1J-221JE | 1 | 435032214R1 |
| R1076 | CHIP TYPE CARBON RESISTOR | RN72K1J-000JE | 1 | 435030004R1 |
| R1077 | CHIP TYPE CARBON RESISTOR | RN72K1J-000JE | 1 | 435030004R1 |
| R1081 | CHIP TYPE CARBON RESISTOR | RN72K1J-221JE | 1 | 435032214R1 |
| R1085 | CHIP TYPE CARBON RESISTOR | RN72K1J-221JE | 1 | 435032214R1 |
| R1115 | CHIP TYPE CARBON RESISTOR | RN72K1J-221JE | 1 | 435032214R1 |
| R3112 | CHIP TYPE CARBON RESISTOR | RN72K1J-101JE | 1 | 435031014R1 |
| R3113 | CHIP TYPE CARBON RESISTOR | RN72K1J-221JE | 1 | 435032214R1 |
| R3114 | CHIP TYPE CARBON RESISTOR | RN72K1J-153JE | 1 | 435031534R1 |
| R3115 | CHIP TYPE CARBON RESISTOR | RN72K1J-104JE | 1 | 435031044R1 |
| R3117 | CHIP TYPE CARBON RESISTOR | RN72K1J-391JE | 1 | 435033914R1 |
| R3401 | CHIP RESISTOR NETWORK | YCN104-000-ZK | 1 | 43484C00004R1 |
| R3401 or | CHIP RESISTOR NETWORK | MNR04MRAPJ000 | (1) | 43464700004R2 |
| R3403 | CHIP TYPE CARBON RESISTOR | RN72K1J-560JE | 1 | 435035604R1 |
| R3406 | CHIP TYPE CARBON RESISTOR | RN72K1J-332JE | 1 | 435033324R1 |
| R3407 | CHIP TYPE CARBON RESISTOR | RN72K1J-222JE | 1 | 435032224R1 |
| R3408 | CHIP RESISTOR NETWORK | YCN104-221-JK | 1 | 43464C22104R1 |
| R3408 or | CHIP RESISTOR NETWORK | MNR04MRAPJ221 | (1) | 43464722104R2 |

| | | | | |
|----------|---------------------------|---------------|------|---------------|
| R3409 | CHIP RESISTOR NETWORK | YCN104-221-JK | 1 | 43464C22104R1 |
| R3409 or | CHIP RESISTOR NETWORK | MNR04MRAPJ221 | (1) | 43464722104R2 |
| R3411 | CHIP RESISTOR NETWORK | YCN104-000-ZK | 1 | 43484C00004R1 |
| R3411 or | CHIP RESISTOR NETWORK | MNR04MRAPJ000 | (1) | 43464700004R2 |
| R3412 | CHIP TYPE CARBON RESISTOR | RN72K1J-472JE | 1 | 435034724R1 |
| R3414 | CHIP TYPE CARBON RESISTOR | RN72K1J-103JE | 1 | 435031034R1 |
| R3415 | CHIP RESISTOR NETWORK | YCN104-000-ZK | 1 | 43484C00004R1 |
| R3415 or | CHIP RESISTOR NETWORK | MNR04MRAPJ000 | (1) | 43464700004R2 |
| R3421 | CHIP TYPE CARBON RESISTOR | RN72K1J-560JE | 1 | 435035604R1 |
| R3423 | CHIP TYPE CARBON RESISTOR | RN72K1J-000JE | 1 | 435030004R1 |
| R3424 | CHIP TYPE CARBON RESISTOR | RN72K1J-470JE | 1 | 435034704R1 |
| R3425 | CHIP TYPE CARBON RESISTOR | RN72K1J-470JE | 1 | 435034704R1 |
| R3426 | CHIP TYPE CARBON RESISTOR | RN72K1J-470JE | 1 | 435034704R1 |
| R3427 | CHIP TYPE CARBON RESISTOR | RN72K1J-470JE | 1 | 435034704R1 |
| R3428 | CHIP RESISTOR NETWORK | YCN104-220-JK | 1 | 43464C22004R1 |
| R3428 or | CHIP RESISTOR NETWORK | MNR04MRAPJ220 | (1) | 43464722004R2 |
| R3429 | CHIP RESISTOR NETWORK | YCN104-470-JK | 1 | 43464C47004R1 |
| R3429 or | CHIP RESISTOR NETWORK | MNR04MRAPJ470 | (1) | 43464747004R2 |
| R3430 | CHIP RESISTOR NETWORK | YCN104-470-JK | 1 | 43464C47004R1 |
| R3430 or | CHIP RESISTOR NETWORK | MNR04MRAPJ470 | (1) | 43464747004R2 |
| R3432 | CHIP TYPE CARBON RESISTOR | RN72K1J-103JE | 1 | 435031034R1 |
| R3433 | CHIP TYPE CARBON RESISTOR | RN72K1J-103JE | 1 | 435031034R1 |
| R3434 | CHIP TYPE CARBON RESISTOR | RN72K1J-332JE | 1 | 435033324R1 |
| R3435 | CHIP TYPE CARBON RESISTOR | RN72K1J-222JE | 1 | 435032224R1 |
| R3436 | CHIP TYPE CARBON RESISTOR | RN72K1J-560JE | 1 | 435035604R1 |
| R3437 | CHIP TYPE CARBON RESISTOR | RN72K1J-560JE | 1 | 435035604R1 |
| R3438 | CHIP TYPE CARBON RESISTOR | RN72K1J-560JE | 1 | 435035604R1 |
| R3439 | CHIP TYPE CARBON RESISTOR | RN72K1J-332JE | 1 | 435033324R1 |
| R3440 | CHIP TYPE CARBON RESISTOR | RN72K1J-332JE | 1 | 435033324R1 |
| R3441 | CHIP RESISTOR NETWORK | YCN104-470-JK | 1 | 43464C47004R1 |
| R3441 or | CHIP RESISTOR NETWORK | MNR04MRAPJ470 | (1) | 43464747004R2 |
| R3442 | CHIP TYPE CARBON RESISTOR | RN72K1J-105JE | 1 | 435031054R1 |
| R3443 | CHIP TYPE CARBON RESISTOR | RN72K1J-000JE | 1 | 435030004R1 |
| R3444 | CHIP TYPE CARBON RESISTOR | RN72K1J-223JE | 1 | 435032234R1 |
| R3445 | CHIP RESISTOR NETWORK | YCN104-470-JK | 1 | 43464C47004R1 |
| R3445 or | CHIP RESISTOR NETWORK | MNR04MRAPJ470 | (1) | 43464747004R2 |
| R3446 | CHIP TYPE CARBON RESISTOR | RN72K1J-102JE | 1 | 435031024R1 |
| R3447 | CHIP TYPE CARBON RESISTOR | RN72K1J-560JE | 1 | 435035604R1 |
| R3448 | CHIP TYPE CARBON RESISTOR | RN72K1J-330JE | 1 | 435033304R1 |
| R3450 | CHIP TYPE CARBON RESISTOR | RN72K1J-560JE | 1 | 435035604R1 |
| R3452 | CHIP TYPE CARBON RESISTOR | RN72K1J-470JE | 1 | 435034704R1 |
| R3453 | CHIP TYPE CARBON RESISTOR | RN72K1J-121JE | 1 | 435031214R1 |
| R3454 | CHIP TYPE CARBON RESISTOR | RN72K1J-470JE | 1 | 435034704R1 |
| R3455 | CHIP TYPE CARBON RESISTOR | RN72K1J-121JE | 1 | 435031214R1 |
| R3456 | CHIP TYPE CARBON RESISTOR | RN72K1J-470JE | 1 | 435034704R1 |
| R3457 | CHIP RESISTOR NETWORK | YCN104-470-JK | 1 | 43464C47004R1 |
| R3457 or | CHIP RESISTOR NETWORK | MNR04MRAPJ470 | (1) | 43464747004R2 |
| R3462 | CHIP TYPE CARBON RESISTOR | RN72K1J-102JE | 1 | 435031024R1 |
| R3464 | CHIP TYPE CARBON RESISTOR | RN72K1J-102JE | 1 | 435031024R1 |
| R3465 | CHIP TYPE CARBON RESISTOR | RN72K1J-102JE | 1 | 435031024R1 |
| R3466 | CHIP TYPE CARBON RESISTOR | RN72K1J-102JE | 1 | 435031024R1 |
| R3469 | CHIP TYPE CARBON RESISTOR | RN72K1J-222JE | 1 | 435032224R1 |
| R3470 | CHIP TYPE CARBON RESISTOR | RN72K1J-222JE | 1 | 435032224R1 |
| R3473 | CHIP TYPE CARBON RESISTOR | RN72K1J-103JE | 1 | 435031034R1 |
| R3474 | CHIP TYPE CARBON RESISTOR | RN72K1J-103JE | 1 | 435031034R1 |
| R3481 | CHIP TYPE CARBON RESISTOR | RN72K1J-332JE | 1 | 435033324R1 |
| R3484 | CHIP TYPE CARBON RESISTOR | RN72K1J-470JE | 1 | 435034704R1 |
| R3485 | CHIP TYPE CARBON RESISTOR | RN72K1J-470JE | 1 | 435034704R1 |
| R3488 | CHIP TYPE CARBON RESISTOR | RN72K1J-332JE | 1 | 435033324R1 |
| R3491 | CHIP TYPE CARBON RESISTOR | RN72K1J-332JE | 1 | 435033324R1 |
| R3494 | CHIP RESISTOR NETWORK | YCN104-470-JK | 1 | 43464C47004R1 |
| R3494 or | CHIP RESISTOR NETWORK | MNR04MRAPJ470 | (1) | 43464747004R2 |
| R3495 | CHIP RESISTOR NETWORK | YCN104-470-JK | 1 | 43464C47004R1 |
| R3495 or | CHIP RESISTOR NETWORK | MNR04MRAPJ470 | (1) | 43464747004R2 |
| R3496 | CHIP RESISTOR NETWORK | YCN104-470-JK | 1 | 43464C47004R1 |
| R3496 or | CHIP RESISTOR NETWORK | MNR04MRAPJ470 | (1) | 43464747004R2 |
| R3497 | CHIP RESISTOR NETWORK | YCN104-470-JK | 1 | 43464C47004R1 |

| | | | | | |
|----------|---------------------------|---------------|------|---------------|----------|
| R3497 or | CHIP RESISTOR NETWORK | MNR04MRAPJ470 | (1) | 43464747004R2 | |
| R3500 | CHIP TYPE CARBON RESISTOR | RN72K1J-470JE | 1 | 435034704R1 | |
| R3501 | CHIP TYPE CARBON RESISTOR | RN72K1J-470JE | 1 | 435034704R1 | |
| R3502 | CHIP TYPE CARBON RESISTOR | RN72K1J-470JE | 1 | 435034704R1 | |
| R3503 | CHIP TYPE CARBON RESISTOR | RN72K1J-470JE | 1 | 435034704R1 | |
| R3504 | CHIP TYPE CARBON RESISTOR | RN72K1J-470JE | 1 | 435034704R1 | |
| R3505 | CHIP TYPE CARBON RESISTOR | RN72K1J-470JE | 1 | 435034704R1 | |
| R3506 | CHIP TYPE CARBON RESISTOR | RN72K1J-000JE | 1 | 435030004R1 | |
| R7000 | CHIP TYPE CARBON RESISTOR | RN72K1J-472JE | 1 | 435034724R1 | |
| R7002 | CHIP TYPE CARBON RESISTOR | RN72K1J-103JE | 1 | 435031034R1 | |
| R7003 | CHIP TYPE CARBON RESISTOR | RN72K1J-103JE | 1 | 435031034R1 | |
| R7004 | CHIP TYPE CARBON RESISTOR | RN72K1J-472JE | 1 | 435034724R1 | |
| R7005 | CHIP TYPE CARBON RESISTOR | RN72K1J-223JE | 1 | 435032234R1 | |
| R7006 | CHIP TYPE CARBON RESISTOR | RN72K1J-223JE | 1 | 435032234R1 | |
| R7007 | CHIP TYPE CARBON RESISTOR | RN72K1J-105JE | 1 | 435031054R1 | |
| R7008 | CHIP TYPE CARBON RESISTOR | RN72K1J-473JE | 1 | 435034734R1 | |
| R7009 | CHIP TYPE CARBON RESISTOR | RN72K1J-105JE | 1 | 435031054R1 | |
| R7012 | CHIP TYPE CARBON RESISTOR | RN72K1J-103JE | 1 | 435031034R1 | |
| R7013 | CHIP TYPE CARBON RESISTOR | RN72K1J-103JE | 1 | 435031034R1 | |
| R7014 | CHIP TYPE CARBON RESISTOR | RN72K1J-473JE | 1 | 435034734R1 | |
| R7015 | CHIP TYPE CARBON RESISTOR | RN72K1J-103JE | 1 | 435031034R1 | |
| R7016 | CHIP TYPE CARBON RESISTOR | RN72K1J-103JE | 1 | 435031034R1 | |
| R7017 | CHIP RESISTOR NETWORK | YCN104-472-JK | 1 | 43464C47204R1 | |
| R7017 or | CHIP RESISTOR NETWORK | MNR04MRAPJ472 | (1) | 43464747204R2 | N |
| R7018 | CHIP TYPE CARBON RESISTOR | RN72K1J-221JE | 1 | 435032214R1 | |
| R7019 | CHIP TYPE CARBON RESISTOR | RN72K1J-104JE | 1 | 435031044R1 | |
| R7021 | CHIP TYPE CARBON RESISTOR | RN72K1J-221JE | 1 | 435032214R1 | |
| R7022 | CHIP TYPE CARBON RESISTOR | RN72K1J-221JE | 1 | 435032214R1 | |
| R7025 | CHIP TYPE CARBON RESISTOR | RN72K1J-105JE | 1 | 435031054R1 | |
| R7026 | CHIP TYPE CARBON RESISTOR | RN72K1J-105JE | 1 | 435031054R1 | |
| R7027 | CHIP TYPE CARBON RESISTOR | RN72K1J-470JE | 1 | 435034704R1 | |
| R7028 | CHIP TYPE CARBON RESISTOR | RN72K1J-470JE | 1 | 435034704R1 | |
| R7029 | CHIP TYPE CARBON RESISTOR | RN72K1J-102JE | 1 | 435031024R1 | |
| R7030 | CHIP TYPE CARBON RESISTOR | RN72K1J-221JE | 1 | 435032214R1 | |
| R7031 | CHIP RESISTOR NETWORK | YCN104-221-JK | 1 | 43464C22104R1 | |
| R7031 or | CHIP RESISTOR NETWORK | MNR04MRAPJ221 | (1) | 43464722104R2 | |
| R7033 | CHIP TYPE CARBON RESISTOR | RN72K1J-470JE | 1 | 435034704R1 | |
| R7035 | CHIP RESISTOR NETWORK | YCN104-221-JK | 1 | 43464C22104R1 | |
| R7035 or | CHIP RESISTOR NETWORK | MNR04MRAPJ221 | (1) | 43464722104R2 | |
| R7036 | CHIP TYPE CARBON RESISTOR | RN72K1J-102JE | 1 | 435031024R1 | |
| R7037 | CHIP TYPE CARBON RESISTOR | RN72K1J-221JE | 1 | 435032214R1 | |
| R7038 | CHIP TYPE CARBON RESISTOR | RN72K1J-221JE | 1 | 435032214R1 | |
| R7039 | CHIP TYPE CARBON RESISTOR | RN72K1J-222JE | 1 | 435032224R1 | |
| R7040 | CHIP RESISTOR NETWORK | YCN104-470-JK | 1 | 43464C47004R1 | |
| R7040 or | CHIP RESISTOR NETWORK | MNR04MRAPJ470 | (1) | 43464747004R2 | |
| R7041 | CHIP RESISTOR NETWORK | YCN104-470-JK | 1 | 43464C47004R1 | |
| R7041 or | CHIP RESISTOR NETWORK | MNR04MRAPJ470 | (1) | 43464747004R2 | |
| R7042 | CHIP TYPE CARBON RESISTOR | RN72K1J-221JE | 1 | 435032214R1 | |
| R7043 | CHIP TYPE CARBON RESISTOR | RN72K1J-332JE | 1 | 435033324R1 | |
| R7044 | CHIP RESISTOR NETWORK | YCN104-470-JK | 1 | 43464C47004R1 | |
| R7044 or | CHIP RESISTOR NETWORK | MNR04MRAPJ470 | (1) | 43464747004R2 | |
| R7045 | CHIP TYPE CARBON RESISTOR | RN72K1J-221JE | 1 | 435032214R1 | |
| R7046 | CHIP TYPE CARBON RESISTOR | RN72K1J-221JE | 1 | 435032214R1 | |
| R7047 | CHIP TYPE CARBON RESISTOR | RN72K1J-221JE | 1 | 435032214R1 | |
| R7048 | CHIP TYPE CARBON RESISTOR | RN72K1J-221JE | 1 | 435032214R1 | |
| R7049 | CHIP TYPE CARBON RESISTOR | RN72K1J-221JE | 1 | 435032214R1 | |
| R7050 | CHIP TYPE CARBON RESISTOR | RN72K1J-221JE | 1 | 435032214R1 | |
| R7051 | CHIP TYPE CARBON RESISTOR | RN72K1J-221JE | 1 | 435032214R1 | |
| R7052 | CHIP TYPE CARBON RESISTOR | RN72K1J-104JE | 1 | 435031044R1 | |
| R7053 | CHIP TYPE CARBON RESISTOR | RN72K1J-221JE | 1 | 435032214R1 | |
| R7059 | CHIP TYPE CARBON RESISTOR | RN72K1J-472JE | 1 | 435034724R1 | |
| R7061 | CHIP RESISTOR NETWORK | YCN104-221-JK | 1 | 43464C22104R1 | |
| R7061 or | CHIP RESISTOR NETWORK | MNR04MRAPJ221 | (1) | 43464722104R2 | |
| R7063 | CHIP TYPE CARBON RESISTOR | RN72K1J-103JE | 1 | 435031034R1 | |
| R7065 | CHIP TYPE CARBON RESISTOR | RN72K1J-103JE | 1 | 435031034R1 | |
| R7067 | CHIP TYPE CARBON RESISTOR | RN72K1J-103JE | 1 | 435031034R1 | |
| R7070 | CHIP TYPE CARBON RESISTOR | RN72K1J-470JE | 1 | 435034704R1 | |

| | | | | |
|----------|---------------------------|---------------|------|---------------|
| R7072 | CHIP TYPE CARBON RESISTOR | RN72K1J-103JE | 1 | 435031034R1 |
| R7073 | CHIP TYPE CARBON RESISTOR | RN72K1J-102JE | 1 | 435031024R1 |
| R7075 | CHIP RESISTOR NETWORK | YCN104-470-JK | 1 | 43464C47004R1 |
| R7075 or | CHIP RESISTOR NETWORK | MNR04MRAPJ470 | (1) | 43464747004R2 |
| R7076 | CHIP RESISTOR NETWORK | YCN104-470-JK | 1 | 43464C47004R1 |
| R7076 or | CHIP RESISTOR NETWORK | MNR04MRAPJ470 | (1) | 43464747004R2 |
| R7077 | CHIP TYPE CARBON RESISTOR | RN72K1J-102JE | 1 | 435031024R1 |
| R7078 | CHIP TYPE CARBON RESISTOR | RN72K1J-102JE | 1 | 435031024R1 |
| R7079 | CHIP TYPE CARBON RESISTOR | RN72K1J-103JE | 1 | 435031034R1 |
| R7081 | CHIP RESISTOR NETWORK | YCN104-470-JK | 1 | 43464C47004R1 |
| R7081 or | CHIP RESISTOR NETWORK | MNR04MRAPJ470 | (1) | 43464747004R2 |
| R7082 | CHIP TYPE CARBON RESISTOR | RN72K1J-103JE | 1 | 435031034R1 |
| R7084 | CHIP TYPE CARBON RESISTOR | RN72K1J-331JE | 1 | 435033314R1 |
| R7086 | CHIP TYPE CARBON RESISTOR | RN72K1J-331JE | 1 | 435033314R1 |
| R7087 | CHIP TYPE CARBON RESISTOR | RN72K1J-273JE | 1 | 435032734R1 |
| R7093 | CHIP TYPE CARBON RESISTOR | RN72K1J-472JE | 1 | 435034724R1 |
| R7094 | CHIP TYPE CARBON RESISTOR | RN72K1J-472JE | 1 | 435034724R1 |
| R7095 | CHIP RESISTOR NETWORK | YCN104-221-JK | 1 | 43464C22104R1 |
| R7095 or | CHIP RESISTOR NETWORK | MNR04MRAPJ221 | (1) | 43464722104R2 |
| R7096 | CHIP TYPE CARBON RESISTOR | RN72K1J-221JE | 1 | 435032214R1 |
| R7098 | CHIP RESISTOR NETWORK | YCN104-470-JK | 1 | 43464C47004R1 |
| R7098 or | CHIP RESISTOR NETWORK | MNR04MRAPJ470 | (1) | 43464747004R2 |
| R7101 | CHIP TYPE CARBON RESISTOR | RN72K1J-221JE | 1 | 435032214R1 |
| R7103 | CHIP TYPE CARBON RESISTOR | RN72K1J-105JE | 1 | 435031054R1 |
| R7105 | CHIP RESISTOR NETWORK | YCN104-470-JK | 1 | 43464C47004R1 |
| R7105 or | CHIP RESISTOR NETWORK | MNR04MRAPJ470 | (1) | 43464747004R2 |
| R7106 | CHIP TYPE CARBON RESISTOR | RN72K1J-101JE | 1 | 435031014R1 |
| R7107 | CHIP TYPE CARBON RESISTOR | RN72K1J-101JE | 1 | 435031014R1 |
| R7108 | CHIP RESISTOR NETWORK | YCN104-103-JK | 1 | 43464C10304R1 |
| R7108 or | CHIP RESISTOR NETWORK | MNR04MRAPJ103 | (1) | 43464710304R2 |
| R7110 | CHIP TYPE CARBON RESISTOR | RN72K1J-103JE | 1 | 435031034R1 |
| R7114 | CHIP TYPE CARBON RESISTOR | RN72K1J-470JE | 1 | 435034704R1 |
| R7120 | CHIP TYPE CARBON RESISTOR | RN72K1J-103JE | 1 | 435031034R1 |
| R7121 | CHIP TYPE CARBON RESISTOR | RN72K1J-105JE | 1 | 435031054R1 |
| R7122 | CHIP TYPE CARBON RESISTOR | RN72K1J-105JE | 1 | 435031054R1 |
| R7124 | CHIP TYPE CARBON RESISTOR | RN72K1J-223JE | 1 | 435032234R1 |
| R7125 | CHIP TYPE CARBON RESISTOR | RN72K1J-224JE | 1 | 435032244R1 |
| R7131 | CHIP TYPE CARBON RESISTOR | RN72K1J-221JE | 1 | 435032214R1 |
| R7133 | CHIP TYPE CARBON RESISTOR | RN72K1J-221JE | 1 | 435032214R1 |
| R7134 | CHIP TYPE CARBON RESISTOR | RN72K1J-221JE | 1 | 435032214R1 |
| R7136 | CHIP TYPE CARBON RESISTOR | RN72K1J-470JE | 1 | 435034704R1 |
| R7137 | CHIP TYPE CARBON RESISTOR | RN72K1J-470JE | 1 | 435034704R1 |
| R7140 | CHIP TYPE CARBON RESISTOR | RN72K1J-103JE | 1 | 435031034R1 |
| R7141 | CHIP TYPE CARBON RESISTOR | RN72K1J-103JE | 1 | 435031034R1 |
| R7142 | CHIP TYPE CARBON RESISTOR | RN72K1J-470JE | 1 | 435034704R1 |
| R7148 | CHIP TYPE CARBON RESISTOR | RN72K1J-221JE | 1 | 435032214R1 |
| R7153 | CHIP TYPE CARBON RESISTOR | RN72K1J-104JE | 1 | 435031044R1 |
| R7173 | CHIP TYPE CARBON RESISTOR | RN72K1J-470JE | 1 | 435034704R1 |
| R7180 | CHIP TYPE CARBON RESISTOR | RN72K1J-272JE | 1 | 435032724R1 |
| R7181 | CHIP TYPE CARBON RESISTOR | RN72K1J-272JE | 1 | 435032724R1 |
| R7182 | CHIP TYPE CARBON RESISTOR | RN72K1J-272JE | 1 | 435032724R1 |
| R7183 | CHIP TYPE CARBON RESISTOR | RN72K1J-272JE | 1 | 435032724R1 |
| R7184 | CHIP TYPE CARBON RESISTOR | RN72K1J-103JE | 1 | 435031034R1 |
| R7187 | CHIP TYPE CARBON RESISTOR | RN72K1J-104JE | 1 | 435031044R1 |
| R7188 | CHIP TYPE CARBON RESISTOR | RN72K1J-104JE | 1 | 435031044R1 |
| R8001 | CHIP TYPE CARBON RESISTOR | RN72K1J-182JE | 1 | 435031824R1 |
| R8002 | CHIP TYPE CARBON RESISTOR | RN72K1J-182JE | 1 | 435031824R1 |
| R8003 | CHIP TYPE CARBON RESISTOR | RN72K1J-101JE | 1 | 435031014R1 |
| R8004 | CHIP TYPE CARBON RESISTOR | RN72K1J-101JE | 1 | 435031014R1 |
| R8005 | CHIP TYPE CARBON RESISTOR | RN72K1J-100JE | 1 | 435031004R1 |
| R8006 | CHIP TYPE CARBON RESISTOR | RN72K1J-100JE | 1 | 435031004R1 |
| R8007 | CHIP TYPE CARBON RESISTOR | RN72K1J-101JE | 1 | 435031014R1 |
| R8008 | CHIP TYPE CARBON RESISTOR | RN72K1J-101JE | 1 | 435031014R1 |
| R8009 | CHIP TYPE CARBON RESISTOR | RN72K1J-103FE | 1 | 435031032R1 |
| R8010 | CHIP TYPE CARBON RESISTOR | RN72K1J-223FE | 1 | 435032232R1 |
| R8015 | CHIP TYPE CARBON RESISTOR | RN72K1J-100JE | 1 | 435031004R1 |
| R8018 | CHIP TYPE CARBON RESISTOR | RN72K1J-222JE | 1 | 435032224R1 |

| | | | | |
|----------|---------------------------|---------------|-------|---------------|
| R8019 | CHIP TYPE CARBON RESISTOR | RN72K1J-222JE | 1 | 435032224R1 |
| R8030 | CHIP TYPE CARBON RESISTOR | RN72K1J-473JE | 1 | 435034734R1 |
| R8031 | CHIP RESISTOR NETWORK | YCN104-220-JK | 1 | 43464C22004R1 |
| R8031 or | CHIP RESISTOR NETWORK | MNR04MRAPJ220 | (1) | 43464722004R2 |
| R8032 | CHIP RESISTOR NETWORK | YCN104-220-JK | 1 | 43464C22004R1 |
| R8032 or | CHIP RESISTOR NETWORK | MNR04MRAPJ220 | (1) | 43464722004R2 |
| R8033 | CHIP TYPE CARBON RESISTOR | RN72K1J-104FE | 1 | 435031042R1 |
| R8051 | CHIP TYPE CARBON RESISTOR | RN72K1J-103JE | 1 | 435031034R1 |
| R8052 | CHIP TYPE CARBON RESISTOR | RN72K1J-103JE | 1 | 435031034R1 |
| R8053 | CHIP TYPE CARBON RESISTOR | RN72K1J-104JE | 1 | 435031044R1 |
| R8060 | CHIP TYPE CARBON RESISTOR | RN72K1J-330JE | 1 | 435033304R1 |
| R8061 | CHIP TYPE CARBON RESISTOR | RN72K1J-330JE | 1 | 435033304R1 |
| R8062 | CHIP TYPE CARBON RESISTOR | RN72K1J-330JE | 1 | 435033304R1 |
| R8063 | CHIP TYPE CARBON RESISTOR | RN72K1J-330JE | 1 | 435033304R1 |
| R8064 | CHIP TYPE CARBON RESISTOR | RN72K1J-330JE | 1 | 435033304R1 |
| R8065 | CHIP TYPE CARBON RESISTOR | RN72K1J-330JE | 1 | 435033304R1 |
| R8066 | CHIP TYPE CARBON RESISTOR | RN72K1J-330JE | 1 | 435033304R1 |
| R8071 | CHIP TYPE CARBON RESISTOR | RN72K1J-000JE | 1 | 435030004R1 |
| R8072 | CHIP TYPE CARBON RESISTOR | RN72K1J-330JE | 1 | 435033304R1 |
| R8073 | CHIP TYPE CARBON RESISTOR | RN72K1J-000JE | 1 | 435030004R1 |
| R8074 | CHIP TYPE CARBON RESISTOR | RN72K1J-000JE | 1 | 435030004R1 |
| R8075 | CHIP TYPE CARBON RESISTOR | RN72K1J-473JE | 1 | 435034734R1 |
| R8076 | CHIP TYPE CARBON RESISTOR | RN72K1J-473JE | 1 | 435034734R1 |
| R8077 | CHIP TYPE CARBON RESISTOR | RN72K1J-100JE | 1 | 435031004R1 |
| R8078 | CHIP TYPE CARBON RESISTOR | RN72K1J-100JE | 1 | 435031004R1 |
| R8079 | CHIP TYPE CARBON RESISTOR | RN72K1J-100JE | 1 | 435031004R1 |
| R8080 | CHIP TYPE CARBON RESISTOR | RN72K1J-100JE | 1 | 435031004R1 |
| R8081 | CHIP TYPE CARBON RESISTOR | RN72K1J-100JE | 1 | 435031004R1 |
| R8082 | CHIP TYPE CARBON RESISTOR | RN72K1J-100JE | 1 | 435031004R1 |
| R8083 | CHIP TYPE CARBON RESISTOR | RN72K1J-100JE | 1 | 435031004R1 |
| R8084 | CHIP TYPE CARBON RESISTOR | RN72K1J-100JE | 1 | 435031004R1 |
| R8085 | CHIP TYPE CARBON RESISTOR | RN72K1J-100JE | 1 | 435031004R1 |
| R8086 | CHIP TYPE CARBON RESISTOR | RN72K1J-100JE | 1 | 435031004R1 |
| R8087 | CHIP TYPE CARBON RESISTOR | RN72K1J-100JE | 1 | 435031004R1 |
| R8088 | CHIP TYPE CARBON RESISTOR | RN72K1J-103JE | 1 | 435031034R1 |
| R8089 | CHIP TYPE CARBON RESISTOR | RN72K1J-100JE | 1 | 435031004R1 |
| R8090 | CHIP TYPE CARBON RESISTOR | RN72K1J-103JE | 1 | 435031034R1 |
| R8093 | CHIP TYPE CARBON RESISTOR | RN72K1J-330JE | 1 | 435033304R1 |
| R8094 | CHIP TYPE CARBON RESISTOR | RN72K1J-330JE | 1 | 435033304R1 |
| R8095 | CHIP TYPE CARBON RESISTOR | RN72K1J-330JE | 1 | 435033304R1 |
| R8096 | CHIP TYPE CARBON RESISTOR | RN72K1J-330JE | 1 | 435033304R1 |
| R8097 | CHIP TYPE CARBON RESISTOR | RN72K1J-330JE | 1 | 435033304R1 |
| R8098 | CHIP TYPE CARBON RESISTOR | RN72K1J-330JE | 1 | 435033304R1 |
| R8099 | CHIP TYPE CARBON RESISTOR | RN72K1J-330JE | 1 | 435033304R1 |
| R8101 | CHIP TYPE CARBON RESISTOR | RN72K1J-000JE | 1 | 435030004R1 |
| R8103 | CHIP TYPE CARBON RESISTOR | RN72K1J-272JE | 1 | 435032724R1 |
| R8104 | CHIP TYPE CARBON RESISTOR | RN72K1J-103JE | 1 | 435031034R1 |
| R8105 | CHIP TYPE CARBON RESISTOR | RN72K1J-000JE | 1 | 435030004R1 |
| R8106 | CHIP TYPE CARBON RESISTOR | RN72K1J-472JE | 1 | 435034724R1 |
| R8107 | CHIP TYPE CARBON RESISTOR | RN72K1J-100JE | 1 | 435031004R1 |
| R8108 | CHIP TYPE CARBON RESISTOR | RN72K1J-103JE | 1 | 435031034R1 |
| R8109 | CHIP TYPE CARBON RESISTOR | RN72K1J-000JE | 1 | 435030004R1 |
| R8110 | CHIP TYPE CARBON RESISTOR | RN72K1J-472JE | 1 | 435034724R1 |
| R8111 | CHIP TYPE CARBON RESISTOR | RN72K1J-221JE | 1 | 435032214R1 |
| R8112 | CHIP TYPE CARBON RESISTOR | RN72K1J-105JE | 1 | 435031054R1 |
| R8113 | CHIP TYPE CARBON RESISTOR | RN72K1J-000JE | 1 | 435030004R1 |
| R8114 | CHIP TYPE CARBON RESISTOR | RN72K1J-473JE | 1 | 435034734R1 |
| R8131 | CHIP TYPE CARBON RESISTOR | RN72K1J-000JE | 1 | 435030004R1 |
| R8132 | CHIP TYPE CARBON RESISTOR | RN72K1J-000JE | 1 | 435030004R1 |
| R8133 | CHIP TYPE CARBON RESISTOR | RN72K1J-000JE | 1 | 435030004R1 |
| R8134 | CHIP TYPE CARBON RESISTOR | RN72K1J-000JE | 1 | 435030004R1 |
| R8135 | CHIP TYPE CARBON RESISTOR | RN72K1J-220JE | 1 | 435032204R1 |
| R8140 | CHIP TYPE CARBON RESISTOR | RN72K1J-000JE | 1 | 435030004R1 |
| R8141 | CHIP TYPE CARBON RESISTOR | RN72K1J-000JE | 1 | 435030004R1 |
| R8142 | CHIP TYPE CARBON RESISTOR | RN72K1J-000JE | 1 | 435030004R1 |
| R8145 | CHIP TYPE CARBON RESISTOR | RN72K1J-000JE | 1 | 435030004R1 |
| R8146 | CHIP TYPE CARBON RESISTOR | RN72K1J-000JE | 1 | 435030004R1 |

| | | | | |
|----------|---------------------------|---------------|-------|---------------|
| R8147 | CHIP TYPE CARBON RESISTOR | RN72K1J-220JE | 1 | 435032204R1 |
| R8148 | CHIP TYPE CARBON RESISTOR | RN72K1J-000JE | 1 | 435030004R1 |
| R8149 | CHIP TYPE CARBON RESISTOR | RN72K1J-000JE | 1 | 435030004R1 |
| R8150 | CHIP TYPE CARBON RESISTOR | RN72K1J-000JE | 1 | 435030004R1 |
| R8151 | CHIP TYPE CARBON RESISTOR | RN72K1J-000JE | 1 | 435030004R1 |
| R8152 | CHIP TYPE CARBON RESISTOR | RN72K1J-000JE | 1 | 435030004R1 |
| R8153 | CHIP TYPE CARBON RESISTOR | RN72K1J-000JE | 1 | 435030004R1 |
| R8154 | CHIP TYPE CARBON RESISTOR | RN72K1J-472JE | 1 | 435034724R1 |
| R8155 | CHIP TYPE CARBON RESISTOR | RN72K1J-102JE | 1 | 435031024R1 |
| R8156 | CHIP TYPE CARBON RESISTOR | RN72K1J-103JE | 1 | 435031034R1 |
| R8157 | CHIP TYPE CARBON RESISTOR | RN72K1J-000JE | 1 | 435030004R1 |
| R8158 | CHIP TYPE CARBON RESISTOR | RN72K1J-000JE | 1 | 435030004R1 |
| R8159 | CHIP TYPE CARBON RESISTOR | RN72K1J-000JE | 1 | 435030004R1 |
| R8160 | CHIP TYPE CARBON RESISTOR | RN72K1J-000JE | 1 | 435030004R1 |
| R8161 | CHIP TYPE CARBON RESISTOR | RN72K1J-000JE | 1 | 435030004R1 |
| R8204 | CHIP TYPE CARBON RESISTOR | RN72K1J-330JE | 1 | 435033304R1 |
| R8208 | CHIP TYPE CARBON RESISTOR | RN72K1J-560JE | 1 | 435035604R1 |
| R8209 | CHIP TYPE CARBON RESISTOR | RN72K1J-472JE | 1 | 435034724R1 |
| R8211 | CHIP TYPE CARBON RESISTOR | RN72K1J-222JE | 1 | 435032224R1 |
| R8212 | CHIP TYPE CARBON RESISTOR | RN72K1J-222JE | 1 | 435032224R1 |
| R8213 | CHIP TYPE CARBON RESISTOR | RN72K1J-103JE | 1 | 435031034R1 |
| R8215 | CHIP TYPE CARBON RESISTOR | RN72K1J-560JE | 1 | 435035604R1 |
| R8218 | CHIP TYPE CARBON RESISTOR | RN72K1J-560JE | 1 | 435035604R1 |
| R8220 | CHIP TYPE CARBON RESISTOR | RN72K1J-560JE | 1 | 435035604R1 |
| R8221 | CHIP TYPE CARBON RESISTOR | RN72K1J-560JE | 1 | 435035604R1 |
| R8223 | CHIP TYPE CARBON RESISTOR | RN72K1J-560JE | 1 | 435035604R1 |
| R8225 | CHIP TYPE CARBON RESISTOR | RN72K1J-390JE | 1 | 435033904R1 |
| R8226 | CHIP TYPE CARBON RESISTOR | RN72K1J-390JE | 1 | 435033904R1 |
| R8228 | CHIP TYPE CARBON RESISTOR | RN72K1J-390JE | 1 | 435033904R1 |
| R8231 | CHIP TYPE CARBON RESISTOR | RN72K1J-103JE | 1 | 435031034R1 |
| R8233 | CHIP TYPE CARBON RESISTOR | RN72K1J-000JE | 1 | 435030004R1 |
| R8234 | CHIP TYPE CARBON RESISTOR | RN72K1J-104JE | 1 | 435031044R1 |
| R8235 | CHIP TYPE CARBON RESISTOR | RN72K1J-000JE | 1 | 435030004R1 |
| R8237 | CHIP TYPE CARBON RESISTOR | RN72K1J-105JE | 1 | 435031054R1 |
| R8238 | CHIP TYPE CARBON RESISTOR | RN72K1J-331JE | 1 | 435033314R1 |
| R8239 | CHIP TYPE CARBON RESISTOR | RN72K1J-103JE | 1 | 435031034R1 |
| R8240 | CHIP TYPE CARBON RESISTOR | RN72K1J-681JE | 1 | 435036814R1 |
| R8243 | CHIP TYPE CARBON RESISTOR | RN72K1J-681JE | 1 | 435036814R1 |
| R8244 | CHIP TYPE CARBON RESISTOR | RN72K1J-330JE | 1 | 435033304R1 |
| R8591 | CHIP TYPE CARBON RESISTOR | RN72K1J-000JE | 1 | 435030004R1 |
| R8592 | CHIP TYPE CARBON RESISTOR | RN72K1J-000JE | 1 | 435030004R1 |
| R8593 | CHIP TYPE CARBON RESISTOR | RN72K1J-000JE | 1 | 435030004R1 |
| R8613 | CHIP TYPE CARBON RESISTOR | RN72K1J-473JE | 1 | 435034734R1 |
| R8614 | CHIP TYPE CARBON RESISTOR | RN72K1J-473JE | 1 | 435034734R1 |
| R8615 | CHIP TYPE CARBON RESISTOR | RN72K1J-102JE | 1 | 435031024R1 |
| R8616 | CHIP TYPE CARBON RESISTOR | RN72K1J-103JE | 1 | 435031034R1 |
| R8623 | CHIP TYPE CARBON RESISTOR | RN72K1J-473JE | 1 | 435034734R1 |
| R8624 | CHIP TYPE CARBON RESISTOR | RN72K1J-473JE | 1 | 435034734R1 |
| R8625 | CHIP TYPE CARBON RESISTOR | RN72K1J-102JE | 1 | 435031024R1 |
| R8626 | CHIP TYPE CARBON RESISTOR | RN72K1J-103JE | 1 | 435031034R1 |
| R8633 | CHIP TYPE CARBON RESISTOR | RN72K1J-473JE | 1 | 435034734R1 |
| R8634 | CHIP TYPE CARBON RESISTOR | RN72K1J-473JE | 1 | 435034734R1 |
| R8635 | CHIP TYPE CARBON RESISTOR | RN72K1J-102JE | 1 | 435031024R1 |
| R8636 | CHIP TYPE CARBON RESISTOR | RN72K1J-103JE | 1 | 435031034R1 |
| R8643 | CHIP TYPE CARBON RESISTOR | RN72K1J-473JE | 1 | 435034734R1 |
| R8644 | CHIP TYPE CARBON RESISTOR | RN72K1J-473JE | 1 | 435034734R1 |
| R8645 | CHIP TYPE CARBON RESISTOR | RN72K1J-102JE | 1 | 435031024R1 |
| R8646 | CHIP TYPE CARBON RESISTOR | RN72K1J-103JE | 1 | 435031034R1 |
| R8702 | CHIP TYPE CARBON RESISTOR | RN72K1J-000JE | 1 | 435030004R1 |
| R8703 | CHIP TYPE CARBON RESISTOR | RN72K1J-472JE | 1 | 435034724R1 |
| R8704 | CHIP TYPE CARBON RESISTOR | RN72K1J-473JE | 1 | 435034734R1 |
| R8711 | CHIP RESISTOR NETWORK | YCN104-470-JK | 1 | 43464C47004R1 |
| R8711 or | CHIP RESISTOR NETWORK | MNR04MRAPJ470 | (1) | 43464747004R2 |
| R8712 | CHIP RESISTOR NETWORK | YCN104-470-JK | 1 | 43464C47004R1 |
| R8712 or | CHIP RESISTOR NETWORK | MNR04MRAPJ470 | (1) | 43464747004R2 |
| R8713 | CHIP RESISTOR NETWORK | YCN104-220-JK | 1 | 43464C22004R1 |
| R8713 or | CHIP RESISTOR NETWORK | MNR04MRAPJ220 | (1) | 43464722004R2 |

| | | | | |
|----------|---------------------------|---------------|-------|---------------|
| R8721 | CHIP TYPE CARBON RESISTOR | RN72K1J-470JE | 1 | 435034704R1 |
| R8722 | CHIP TYPE CARBON RESISTOR | RN72K1J-470JE | 1 | 435034704R1 |
| R8725 | CHIP TYPE CARBON RESISTOR | RN72K1J-222JE | 1 | 435032224R1 |
| R8727 | CHIP TYPE CARBON RESISTOR | RN72K1J-103JE | 1 | 435031034R1 |
| R8730 | CHIP RESISTOR NETWORK | YCN104-103-JK | 1 | 43464C10304R1 |
| R8730 or | CHIP RESISTOR NETWORK | MNR04MRAPJ103 | (1) | 43464710304R2 |
| R8732 | CHIP TYPE CARBON RESISTOR | RN72K1J-221JE | 1 | 435032214R1 |
| R8733 | CHIP TYPE CARBON RESISTOR | RN72K1J-105JE | 1 | 435031054R1 |
| R8734 | CHIP TYPE CARBON RESISTOR | RN72K1J-221JE | 1 | 435032214R1 |
| R8740 | CHIP TYPE CARBON RESISTOR | RN72K1J-222JE | 1 | 435032224R1 |
| R8745 | CHIP TYPE CARBON RESISTOR | RN72K1J-103JE | 1 | 435031034R1 |
| R8747 | CHIP TYPE CARBON RESISTOR | RN72K1J-222JE | 1 | 435032224R1 |
| R8782 | CHIP RESISTOR NETWORK | YCN104-470-JK | 1 | 43464C47004R1 |
| R8782 or | CHIP RESISTOR NETWORK | MNR04MRAPJ470 | (1) | 43464747004R2 |
| R8783 | CHIP TYPE CARBON RESISTOR | RN72K1J-473JE | 1 | 435034734R1 |
| R8901 | CHIP TYPE CARBON RESISTOR | RN72K1J-104JE | 1 | 435031044R1 |
| R8902 | CHIP TYPE CARBON RESISTOR | RN72K1J-473JE | 1 | 435034734R1 |
| R8903 | CHIP TYPE CARBON RESISTOR | RN72K1J-102JE | 1 | 435031024R1 |
| R8904 | CHIP TYPE CARBON RESISTOR | RN72K1J-103JE | 1 | 435031034R1 |
| R8906 | CHIP TYPE CARBON RESISTOR | RN72K1J-152JE | 1 | 435031524R1 |
| R8921 | CHIP TYPE CARBON RESISTOR | RN72K1J-000JE | 1 | 435030004R1 |
| R8931 | CHIP TYPE CARBON RESISTOR | RN72K1J-102JE | 1 | 435031024R1 |
| R8932 | CHIP TYPE CARBON RESISTOR | RN72K1J-104JE | 1 | 435031044R1 |
| R8933 | CHIP TYPE CARBON RESISTOR | RN72K1J-332JE | 1 | 435033324R1 |
| R8934 | CHIP TYPE CARBON RESISTOR | RN72K1J-272FE | 1 | 435032722R1 |
| R8935 | CHIP TYPE CARBON RESISTOR | RN72K1J-222FE | 1 | 435032222R1 |
| R8936 | CHIP TYPE CARBON RESISTOR | RN72K1J-103FE | 1 | 435031032R1 |
| R8941 | CHIP TYPE CARBON RESISTOR | RN72K1J-102JE | 1 | 435031024R1 |
| R8942 | CHIP TYPE CARBON RESISTOR | RN72K1J-104JE | 1 | 435031044R1 |
| R8943 | CHIP TYPE CARBON RESISTOR | RN72K1J-472JE | 1 | 435034724R1 |
| R8944 | CHIP TYPE CARBON RESISTOR | RN72K1J-332FE | 1 | 435033322R1 |
| R8945 | CHIP TYPE CARBON RESISTOR | RN72K1J-682FE | 1 | 435036822R1 |
| R8946 | CHIP TYPE CARBON RESISTOR | RN72K1J-103FE | 1 | 435031032R1 |
| R8951 | CHIP TYPE CARBON RESISTOR | RN72K1J-102JE | 1 | 435031024R1 |
| R8952 | CHIP TYPE CARBON RESISTOR | RN72K1J-104JE | 1 | 435031044R1 |
| R8953 | CHIP TYPE CARBON RESISTOR | RN72K1J-682JE | 1 | 435036824R1 |
| R8954 | CHIP TYPE CARBON RESISTOR | RN72K1J-333FE | 1 | 435033332R1 |
| R8955 | CHIP TYPE CARBON RESISTOR | RN72K1J-124FE | 1 | 435031242R1 |
| R8956 | CHIP TYPE CARBON RESISTOR | RN72K1J-103FE | 1 | 435031032R1 |
| R8961 | CHIP TYPE CARBON RESISTOR | RN72K1J-104JE | 1 | 435031044R1 |
| R8962 | CHIP TYPE CARBON RESISTOR | RN72K1J-154JE | 1 | 435031544R1 |
| R8964 | CHIP TYPE CARBON RESISTOR | RN72K1J-473FE | 1 | 435034732R1 |
| R8965 | CHIP TYPE CARBON RESISTOR | RN72K1J-225JE | 1 | 435032254R1 |
| R8966 | CHIP TYPE CARBON RESISTOR | RN72K1J-103FE | 1 | 435031032R1 |
| R8968 | CHIP TYPE CARBON RESISTOR | RN72K1J-153JE | 1 | 435031534R1 |
| R8969 | CHIP TYPE CARBON RESISTOR | RN72K1J-153JE | 1 | 435031534R1 |
| R8970 | CHIP TYPE CARBON RESISTOR | RN72K1J-104JE | 1 | 435031044R1 |

[SW TRM]

| | | | | |
|----------|--------|---------------------|-------|------------|
| P2800B | SOCKET | IMSA-9618S-23A | 1 | 25053348R2 |
| P2801B | PLUG | NPLG-3P916 | 1 | 25055963R2 |
| P3100 | SOCKET | UJA01SB4090-72R | 1 | 25053533R2 |
| P501B | PLUG | NPLG-3P916 | 1 | 25055963R2 |
| P7001A | SOCKET | IMSA-9618S-23A | 1 | 25053348R2 |
| P7051A | SOCKET | NSCT-9P2472 | 1 | 25052575R2 |
| P7053 | SOCKET | IMSA-9618S-09A | 1 | 25053334R2 |
| P7801 | SOCKET | NSCT-9P2472 | 1 | 25052575R2 |
| P780A | PLUG | NPLG-9P1106 | 1 | 25056167R2 |
| P8001 | SOCKET | 51U019S-3HFDN-BD-SM | 1 | 25053549R3 |
| P8001 or | SOCKET | HDMI(47266-4101) | (1) | 25053389R3 |
| P8001 or | SOCKET | TCX3423-311387 | (1) | 25060513R3 |
| P8001A | SOCKET | IMSA-9618S-23A | 1 | 25053348R2 |
| P8002A | SOCKET | IMSA-9618S-17A | 1 | 25053342R2 |
| P8104 | SOCKET | NSCT-8P2471 | 1 | 25052574R2 |
| P8611 | SOCKET | 51U019S-3HFDN-BD-SM | 1 | 25053549R3 |
| P8611 or | SOCKET | HDMI(47266-4101) | (1) | 25053389R3 |
| P8611 or | SOCKET | TCX3423-311387 | (1) | 25060513R3 |
| P8621 | SOCKET | 51U019S-3HFDN-BD-SM | 1 | 25053549R3 |

| | | | | |
|----------|--------|---------------------|------|------------|
| P8621 or | SOCKET | HDMI(47266-4101) | (1) | 25053389R3 |
| P8621 or | SOCKET | TCX3423-311387 | (1) | 25060513R3 |
| P8631 | SOCKET | 51U019S-3HFDN-BD-SM | 1 | 25053549R3 |
| P8631 or | SOCKET | HDMI(47266-4101) | (1) | 25053389R3 |
| P8631 or | SOCKET | TCX3423-311387 | (1) | 25060513R3 |
| P8641 | SOCKET | 51U019S-3HFDN-BD-SM | 1 | 25053549R3 |
| P8641 or | SOCKET | HDMI(47266-4101) | (1) | 25053389R3 |
| P8641 or | SOCKET | TCX3423-311387 | (1) | 25060513R3 |
| P8902 | PLUG | NPLG-2P915 | 1 | 25055962R2 |
| P9011B | PLUG | NPLG-5P918 | 1 | 25055965R2 |

U005

BARF-1764-1A

: NSP

| CIRCUIT NC | PART NAME | DESCRIPTION | Q'TY | PART NO. (SN) | REMARKS |
|---------------------|-----------------------------|----------------|------|---------------|----------|
| [TRANS COIL] | | | | | |
| L780 | CORE | BLM15PX181SN1D | 1 | 2350033R1 | |
| L782 | CORE | BLM15PX181SN1D | 1 | 2350033R1 | |
| L783 | EMI SUPPRESSION FILTER | BK1608LL241-T | 1 | 230959R1 | |
| L784 | EMI SUPPRESSION FILTER | BK1608LL241-T | 1 | 230959R1 | |
| L785 | EMI SUPPRESSION FILTER | BK1608LL241-T | 1 | 230959R1 | |
| Q781 | BT MODULE | HRM1034 | 1 | 24150126R2 | N |
| [CAPACITOR] | | | | | |
| C786 | CHIP TYPE CERAMIC CAPACITOR | CK725B1C-104K0 | 1 | 332011045R1 | |
| C787 | CHIP TYPE CERAMIC CAPACITOR | CK725B1H-103K0 | 1 | 332031035R1 | |
| C790 | CHIP TYPE CERAMIC CAPACITOR | CK725B1C-104K0 | 1 | 332011045R1 | |
| C791 | CHIP TYPE CERAMIC CAPACITOR | CK725B1H-103K0 | 1 | 332031035R1 | |
| [RESISTOR] | | | | | |
| R784 | CHIP TYPE CARBON RESISTOR | RN72K1J-221JE | 1 | 435032214R1 | |
| R785 | CHIP TYPE CARBON RESISTOR | RN72K1J-220JE | 1 | 435032204R1 | |
| R786 | CHIP TYPE CARBON RESISTOR | RN72K1J-220JE | 1 | 435032204R1 | |
| R787 | CHIP TYPE CARBON RESISTOR | RN72K1J-101JE | 1 | 435031014R1 | |
| R788 | CHIP TYPE CARBON RESISTOR | RN72K1J-103JE | 1 | 435031034R1 | |
| R792 | CHIP TYPE CARBON RESISTOR | RN72K1J-000JE | 1 | 435030004R1 | |
| R793 | CHIP TYPE CARBON RESISTOR | RN72K1J-221JE | 1 | 435032214R1 | |
| R794 | CHIP TYPE CARBON RESISTOR | RN72K1J-221JE | 1 | 435032214R1 | |
| R795 | CHIP TYPE CARBON RESISTOR | RN72K1J-000JE | 1 | 435030004R1 | |
| [SW TRM] | | | | | |
| P780B | PLUG | SM09B-SRSS-TB | 1 | 25056386R2 | |