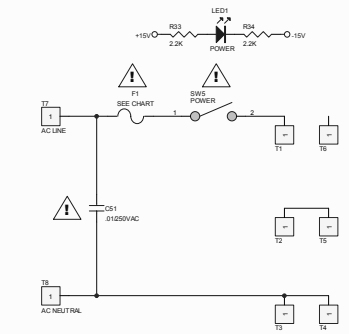
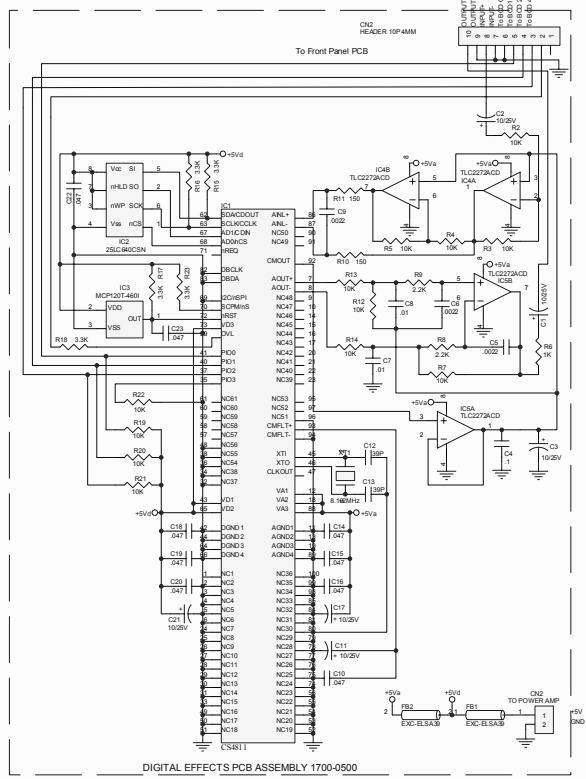


! DENOTES CRITICAL COMPONENT  
 REPLACE ONLY WITH IDENTICAL  
 KUSTOM PART



PRIMARY	TRANSFORMER	FUSE	T1	T2	T3	T4	T5	T6	T7	T8
100V	5000-0311	F1 5A250V	ORG	N.C.	N.C.	WHT	N.C.	N.C.	WHITE	BLACK
120V	5000-0332	F1 5A250V	ORG	BRN	BLU	WHT	BLK	N.C.	WHITE	BLACK
240V	5000-0332	F1A250V	ORG	BRN	BLU	N.C.	WHT	BLK	BLUE	BROWN



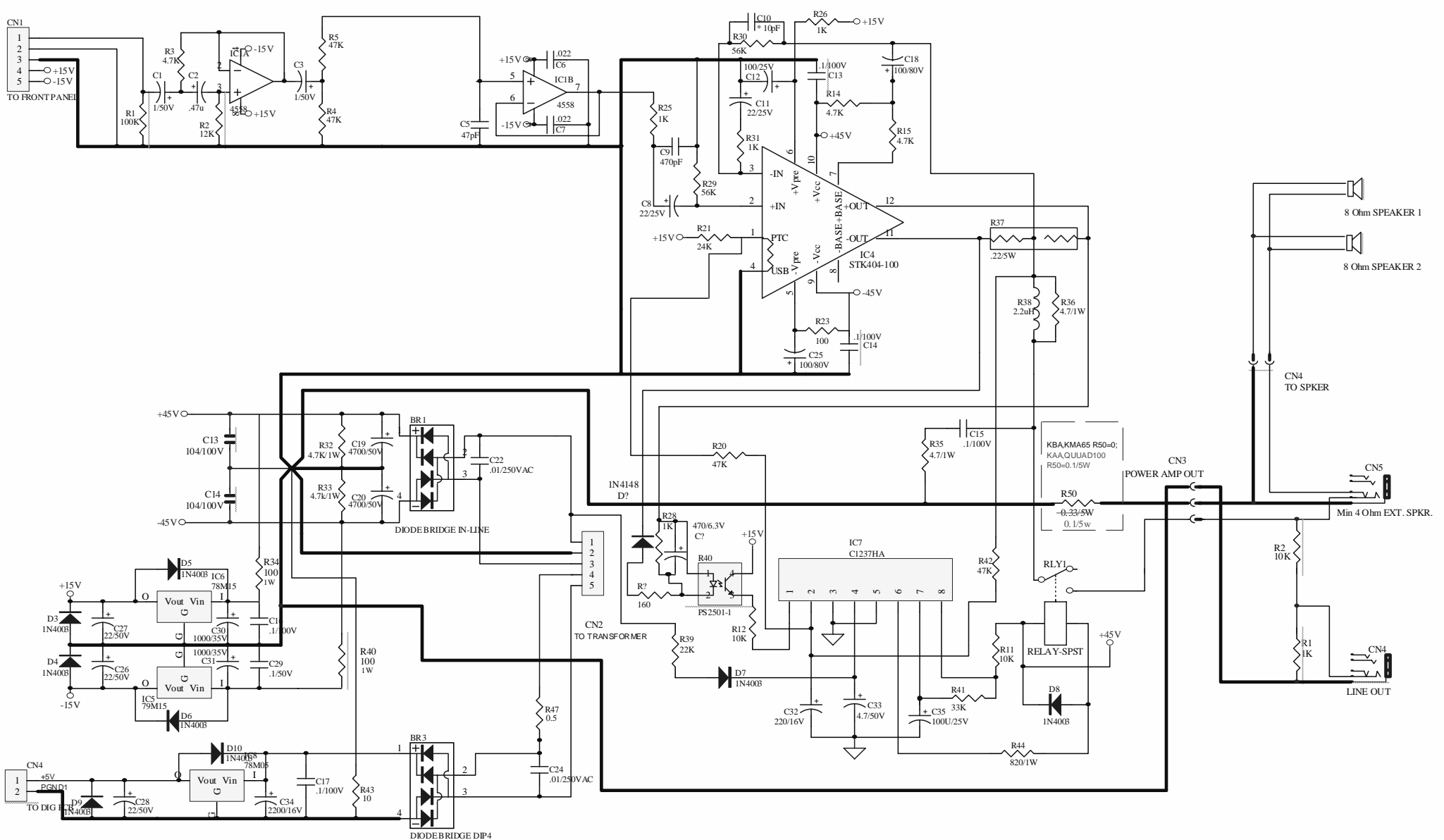
DIGITAL EFFECTS PCB ASSEMBLY 1700-0500

Cannot open file G:\MKJS  
 ST LIB\AL\CUSTOM logo.bmp

File:	Part Number:	Revision:
Size:	11437	
Date:	4/28/03	

Sheet 1 of 1 Drawn by: File: Y:\Kustom\users\joc\Documents\PCB\Quad\_100 DFX\Quad\_100 DFX\_100W LEAD GUITAR.PREAMP \* 10/12/04 Jon

QUAD 100 DFX 100W LEAD GUITAR AMP



QUAD 100W POWER SCHEMATIC