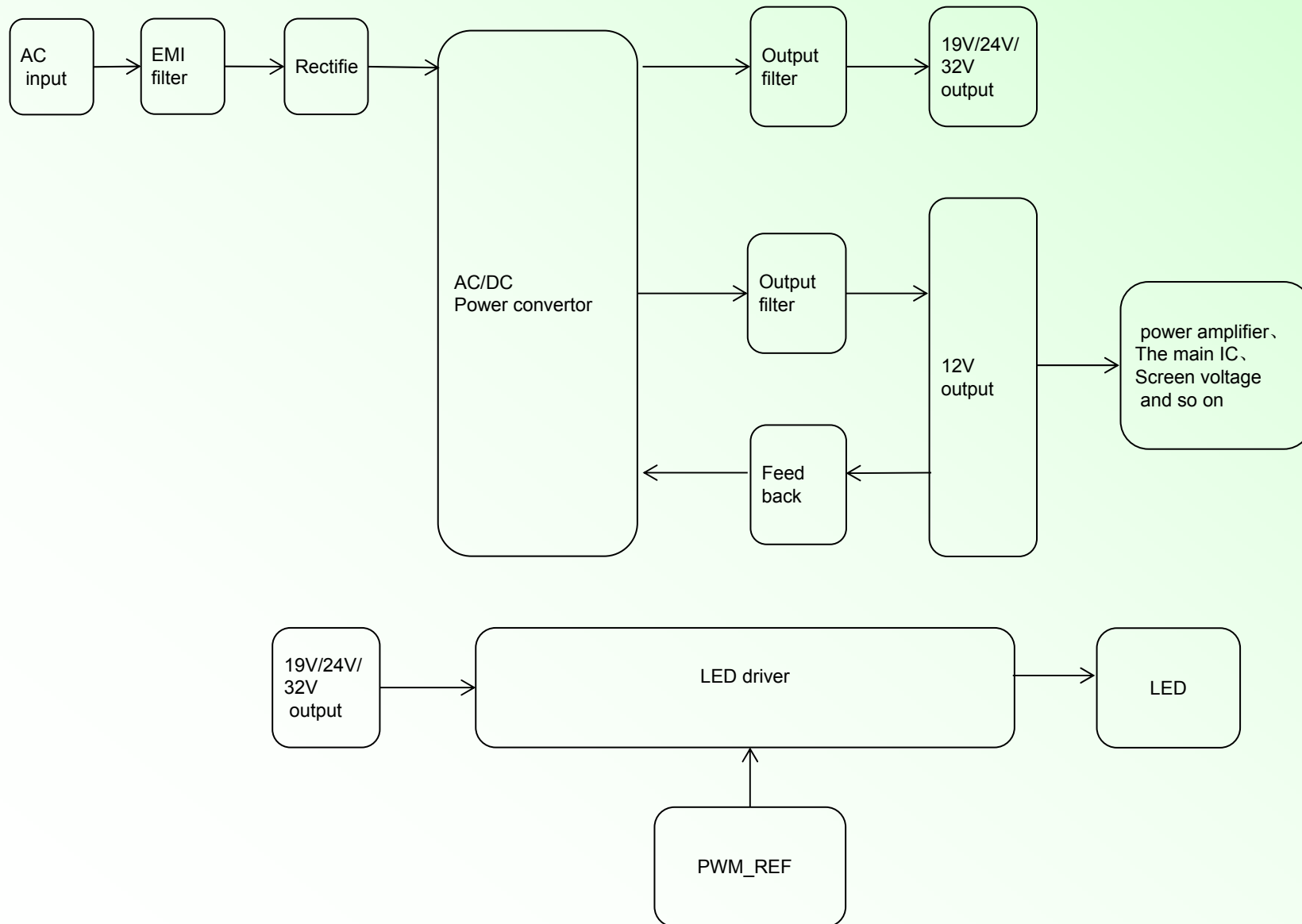


TP.MS3663S.PB818

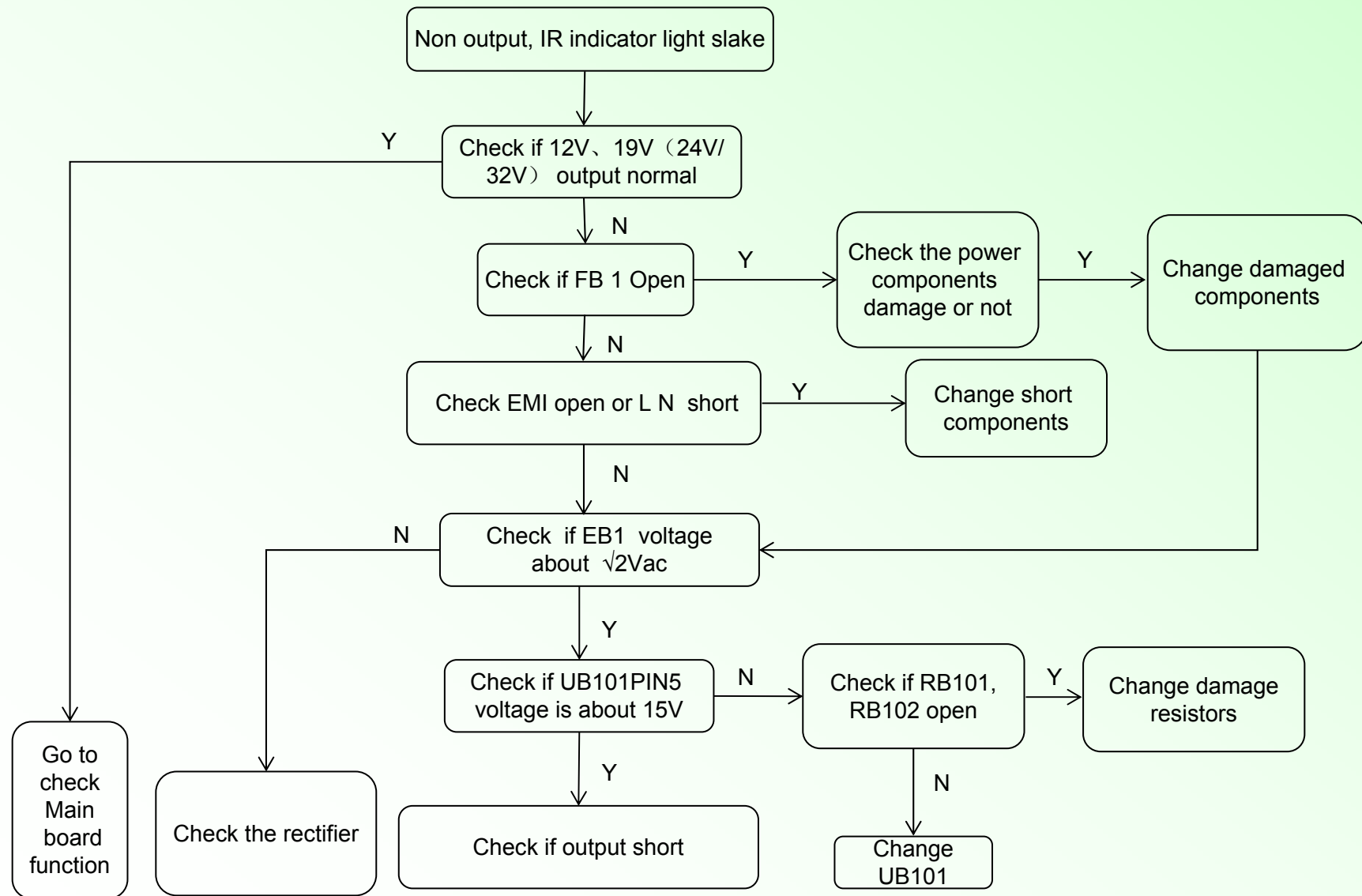
Trouble Shooting

- ◎ **Power troubleshooting**
- ◎ **Display troubleshooting**
- ◎ **Audio troubleshooting**
- ◎ **Function troubleshooting**
- ◎ **Power board troubleshooting**

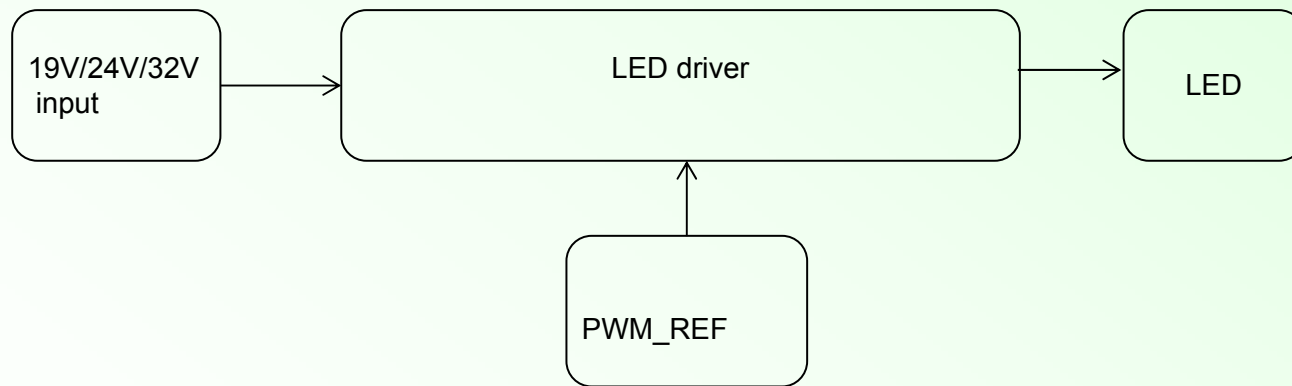
1. The power supply circuit diagram



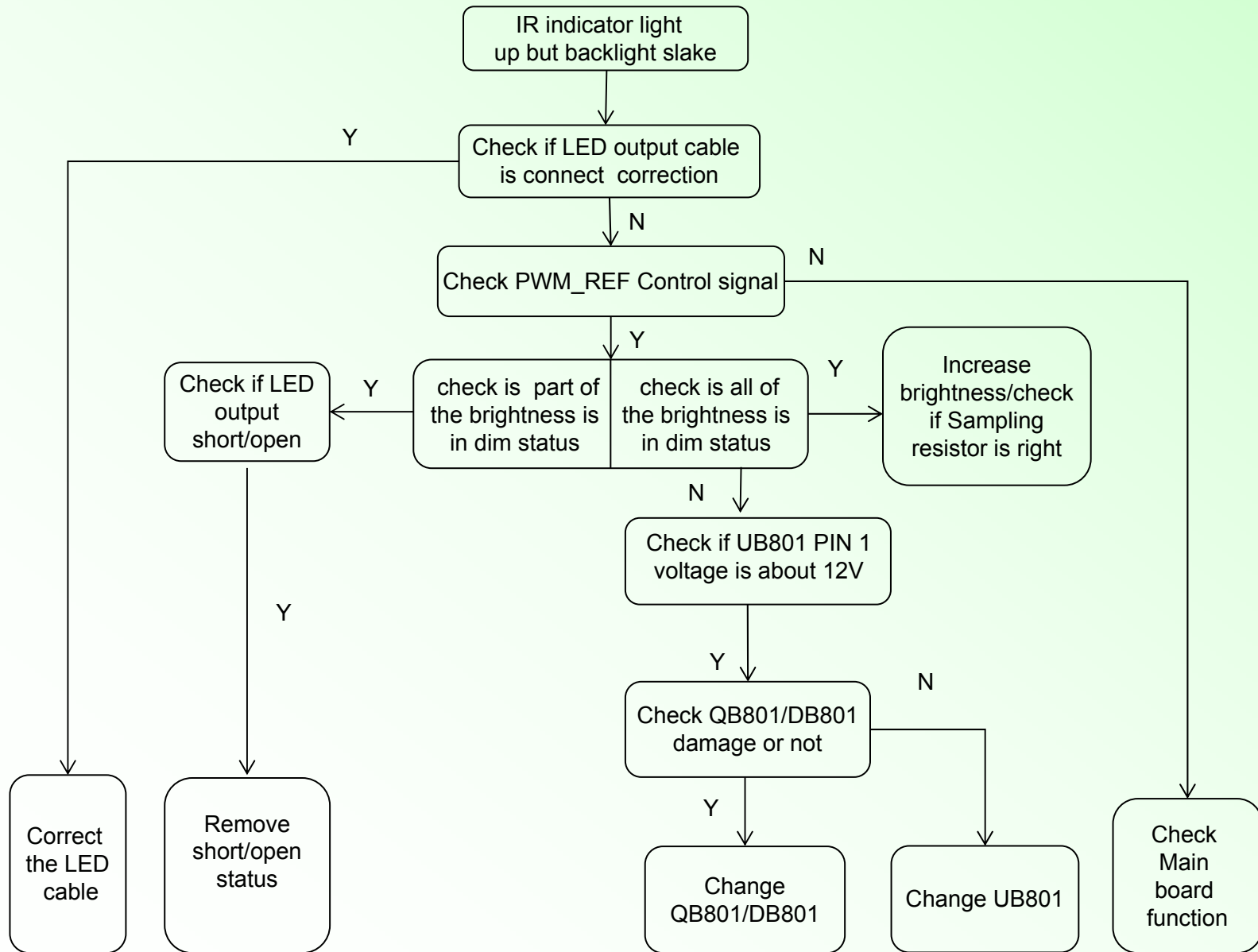
2. Power Supply Trouble(AC-DC)



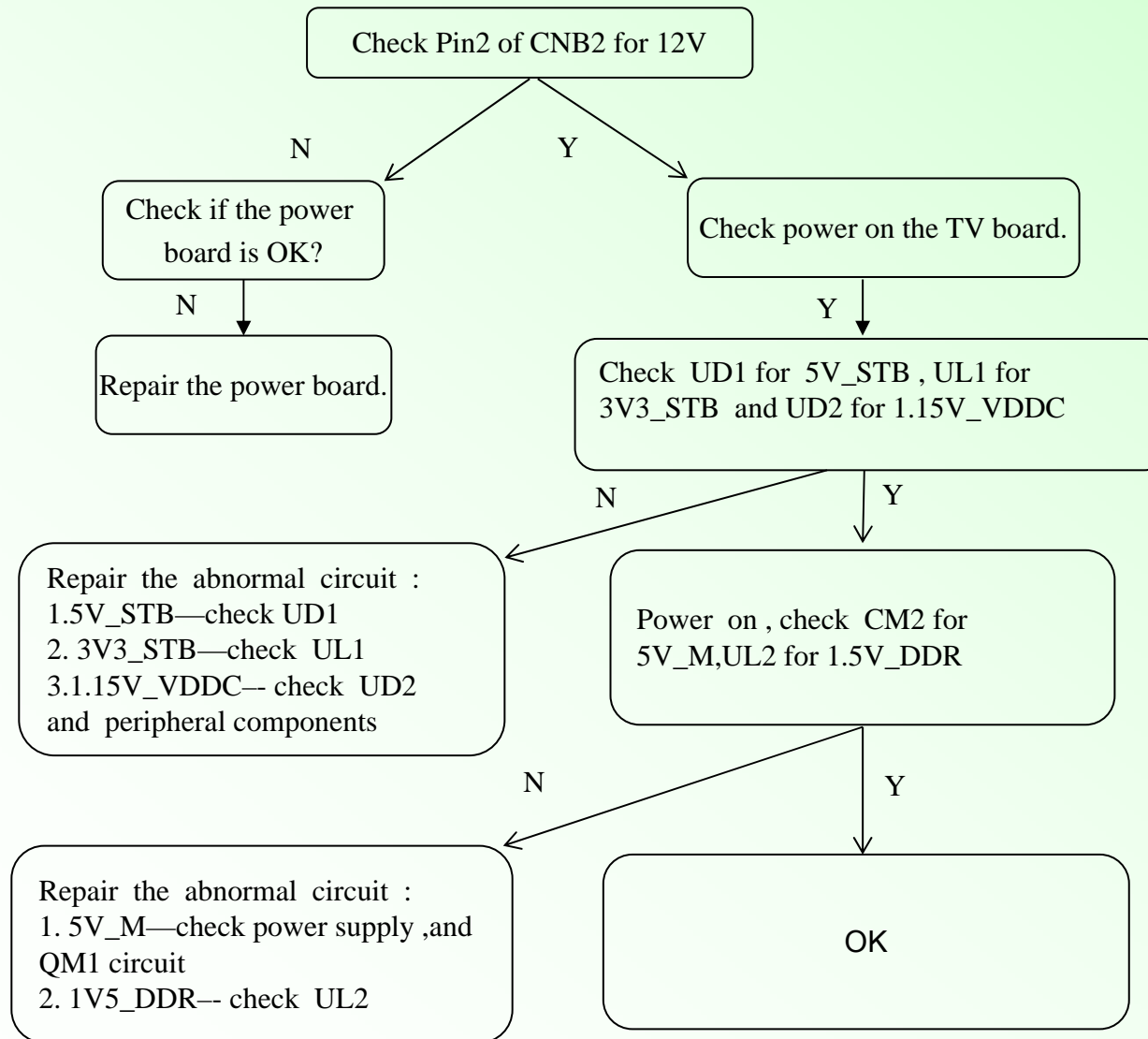
3. Power Board Diagram



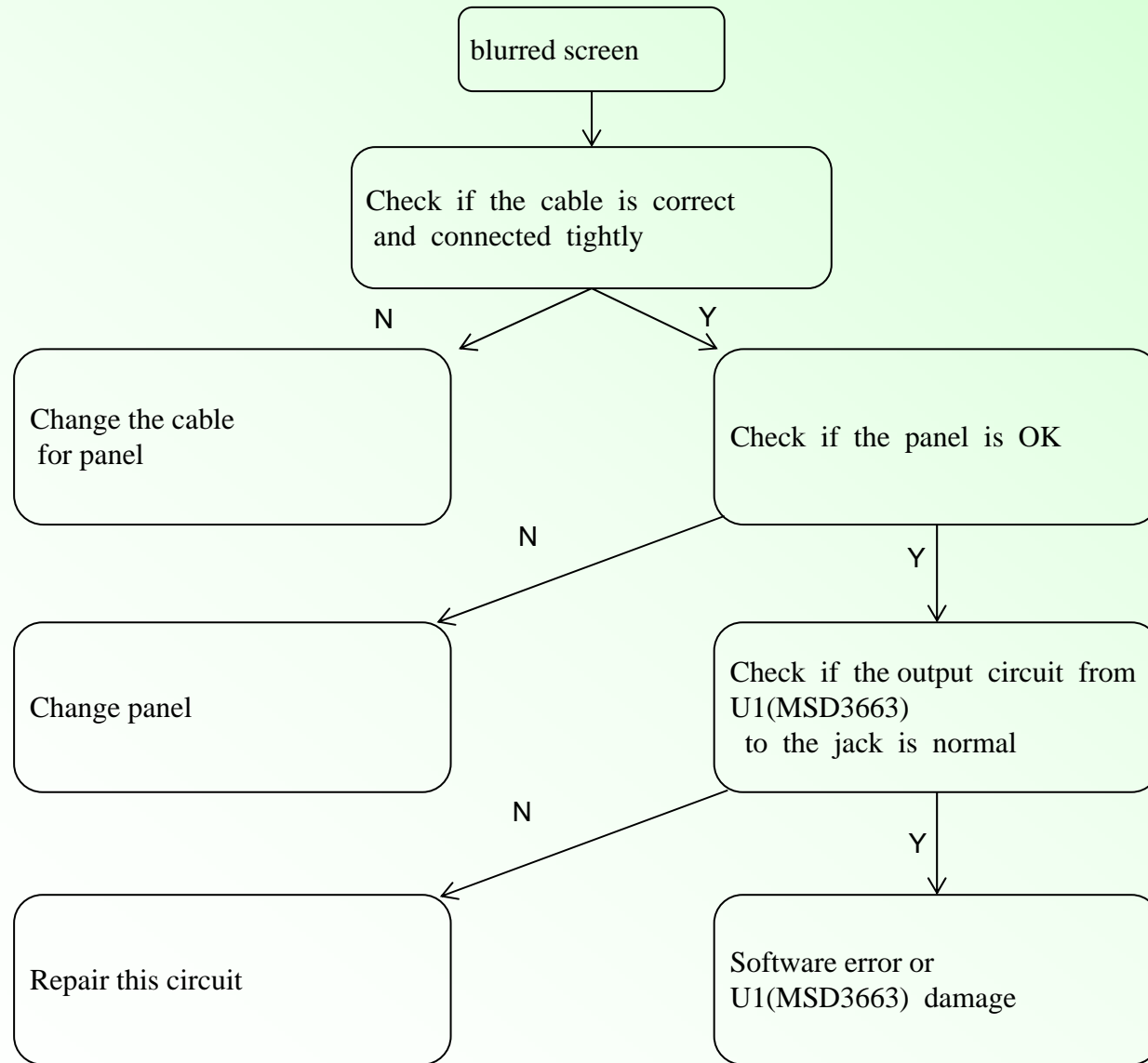
4. Power supply for LED drive



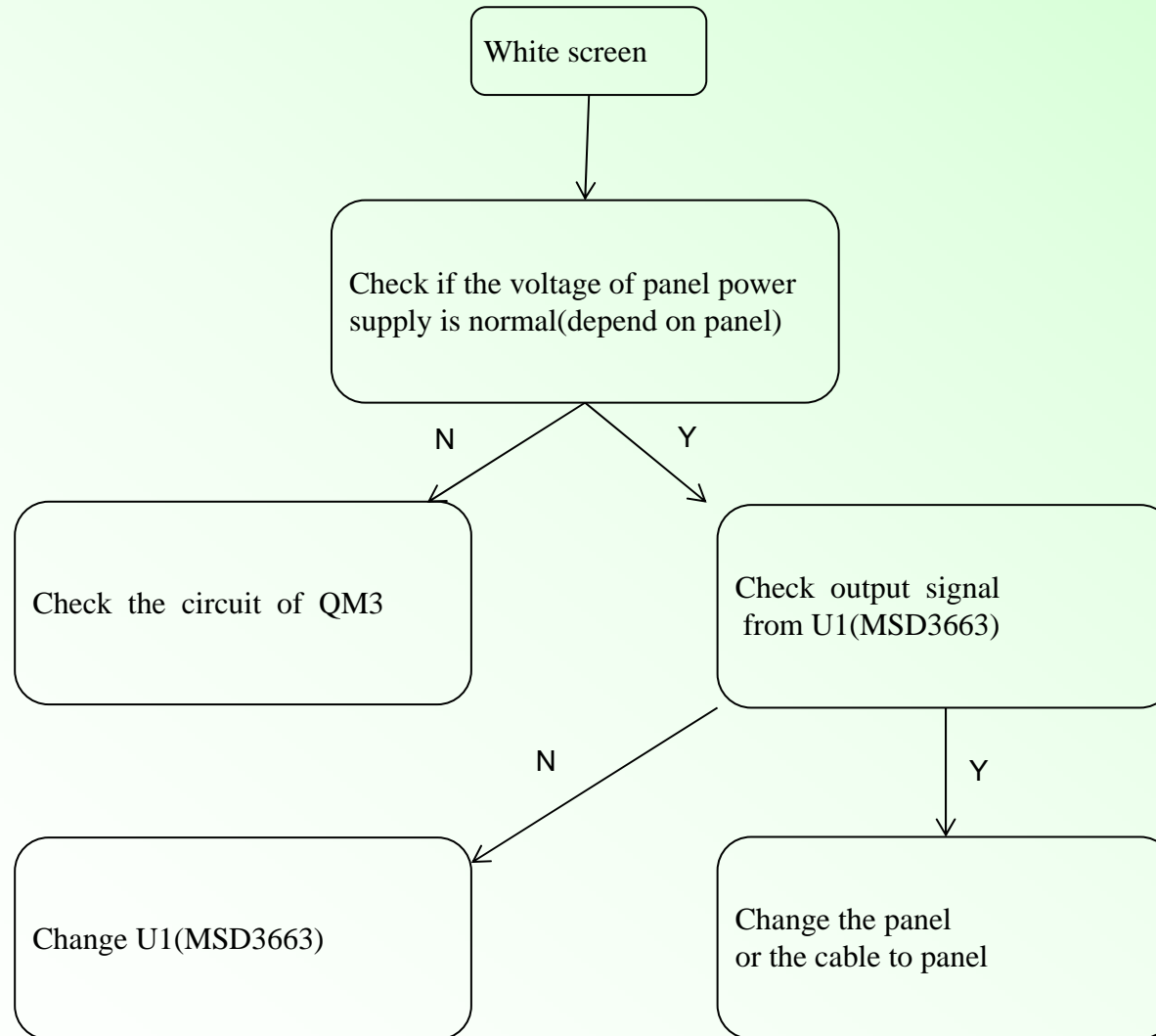
5. Power Supply Trouble



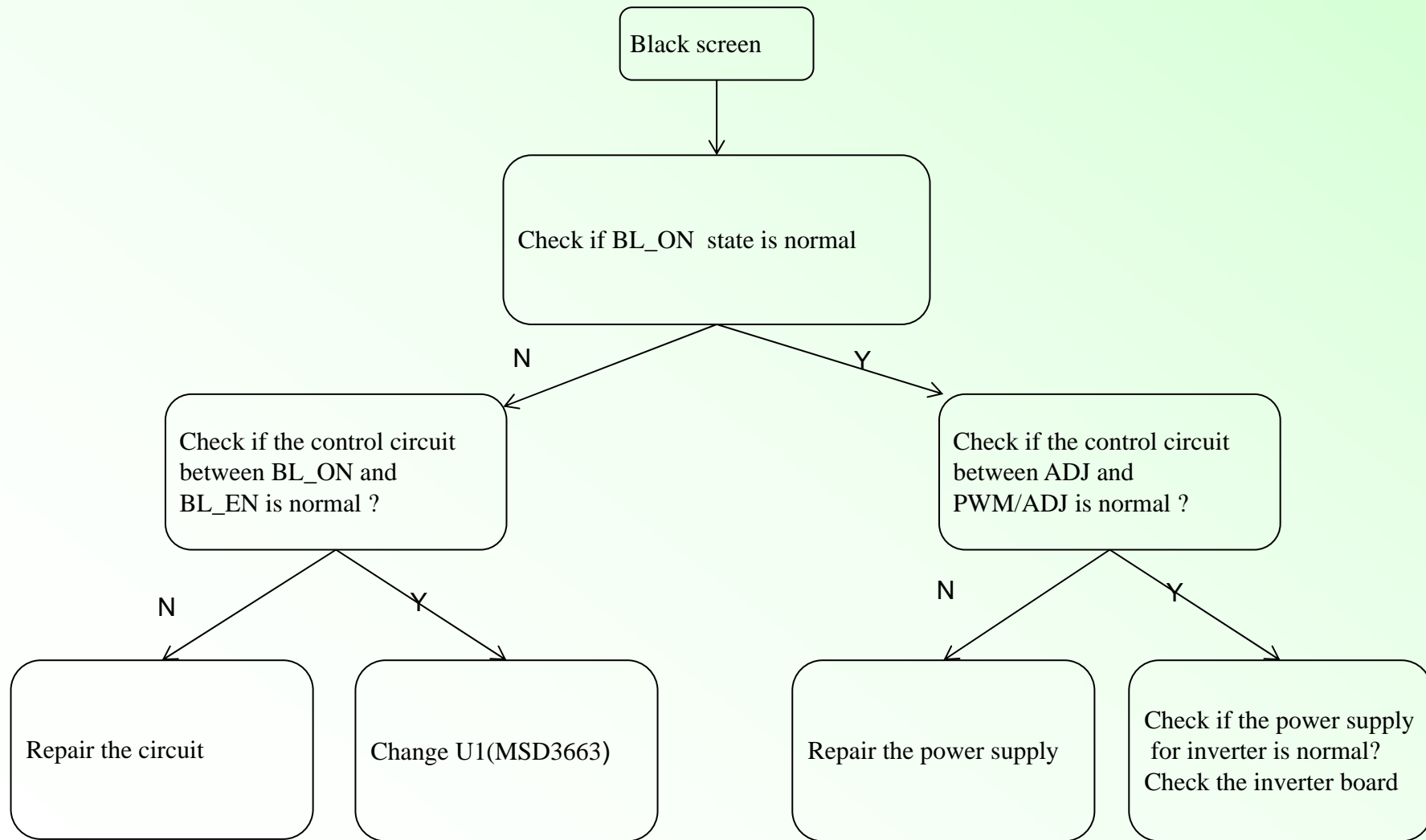
6. Display Trouble (blurred screen)



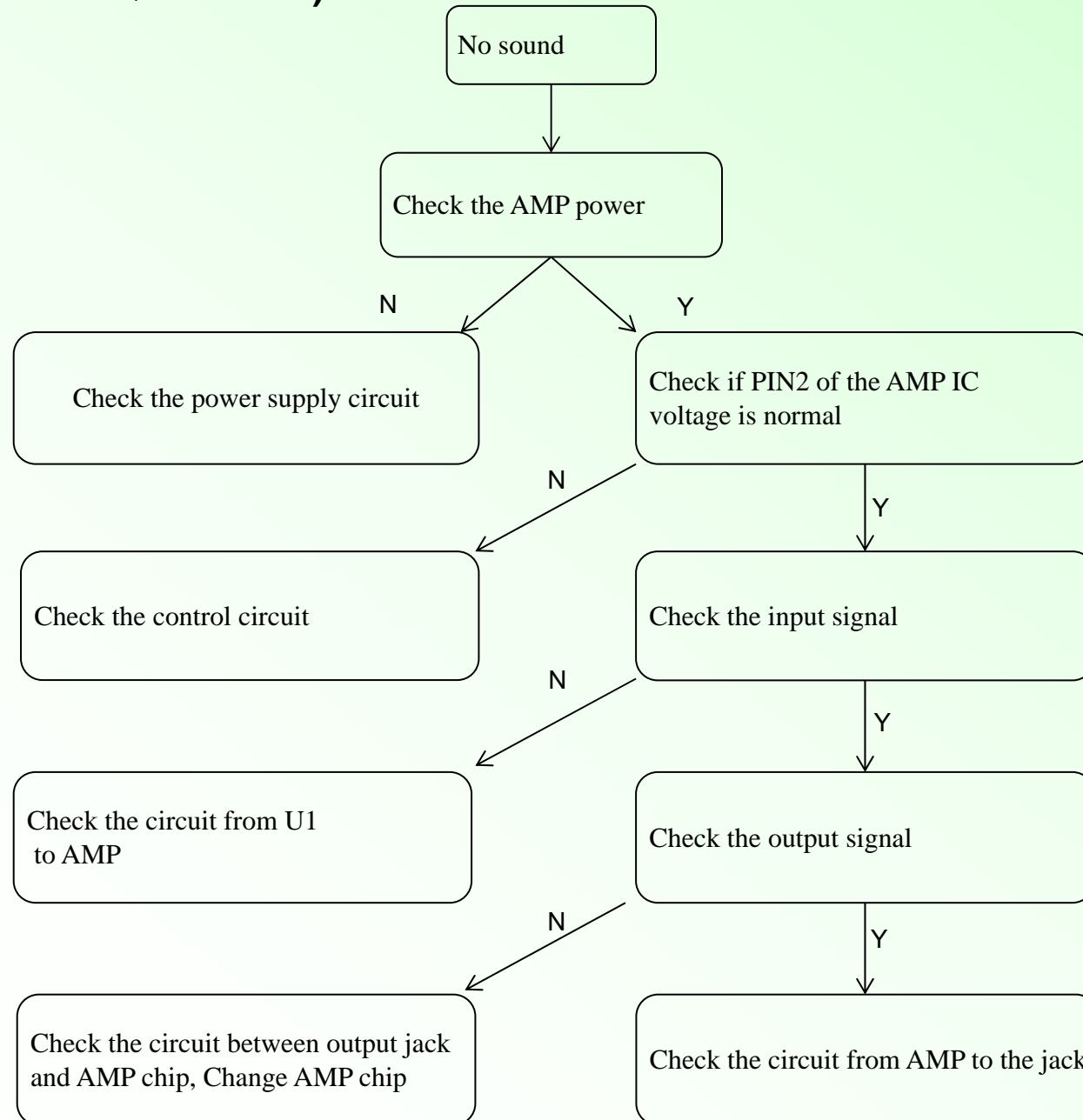
7. Display Trouble (white screen)



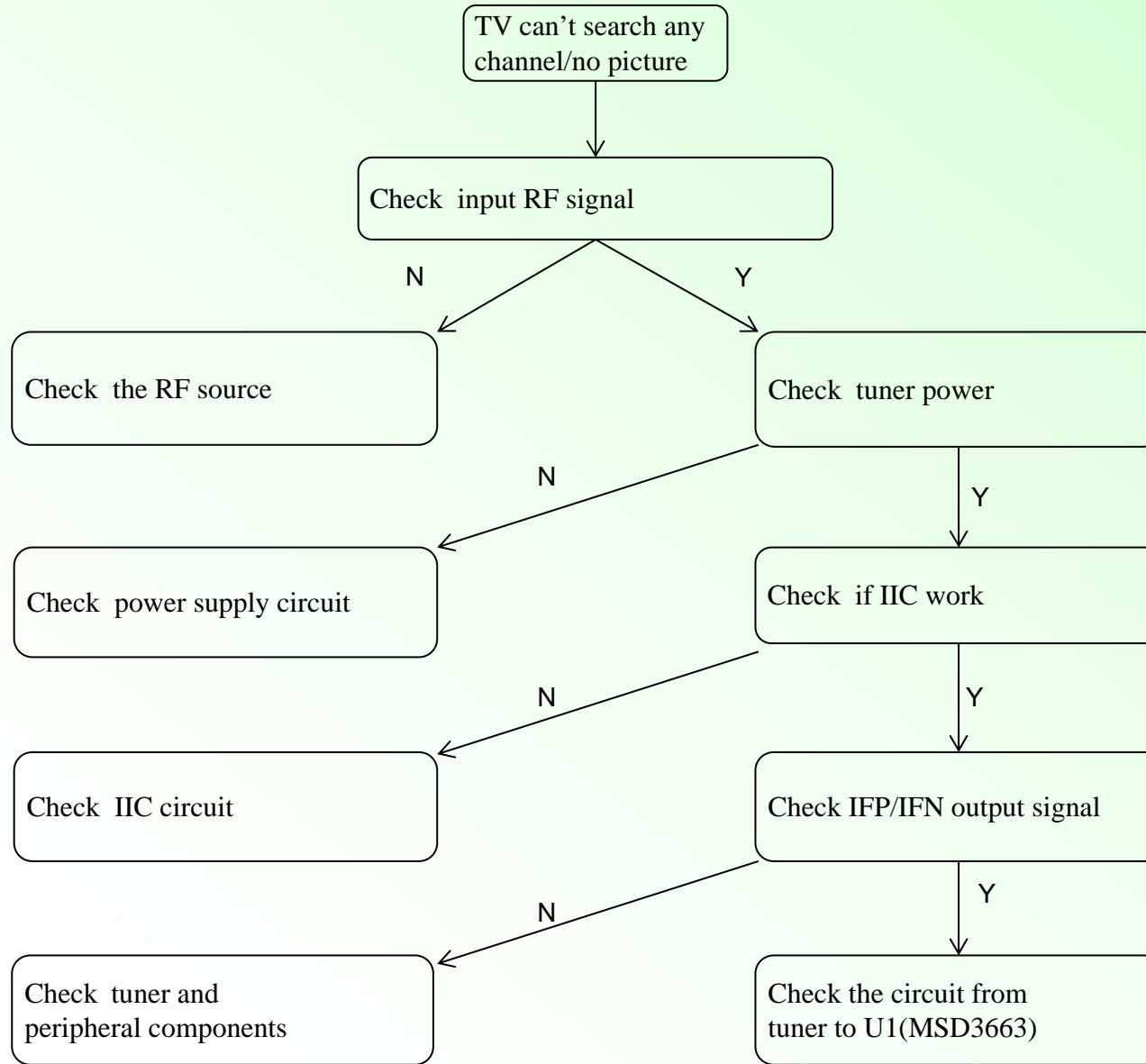
8. Display Trouble (black screen)



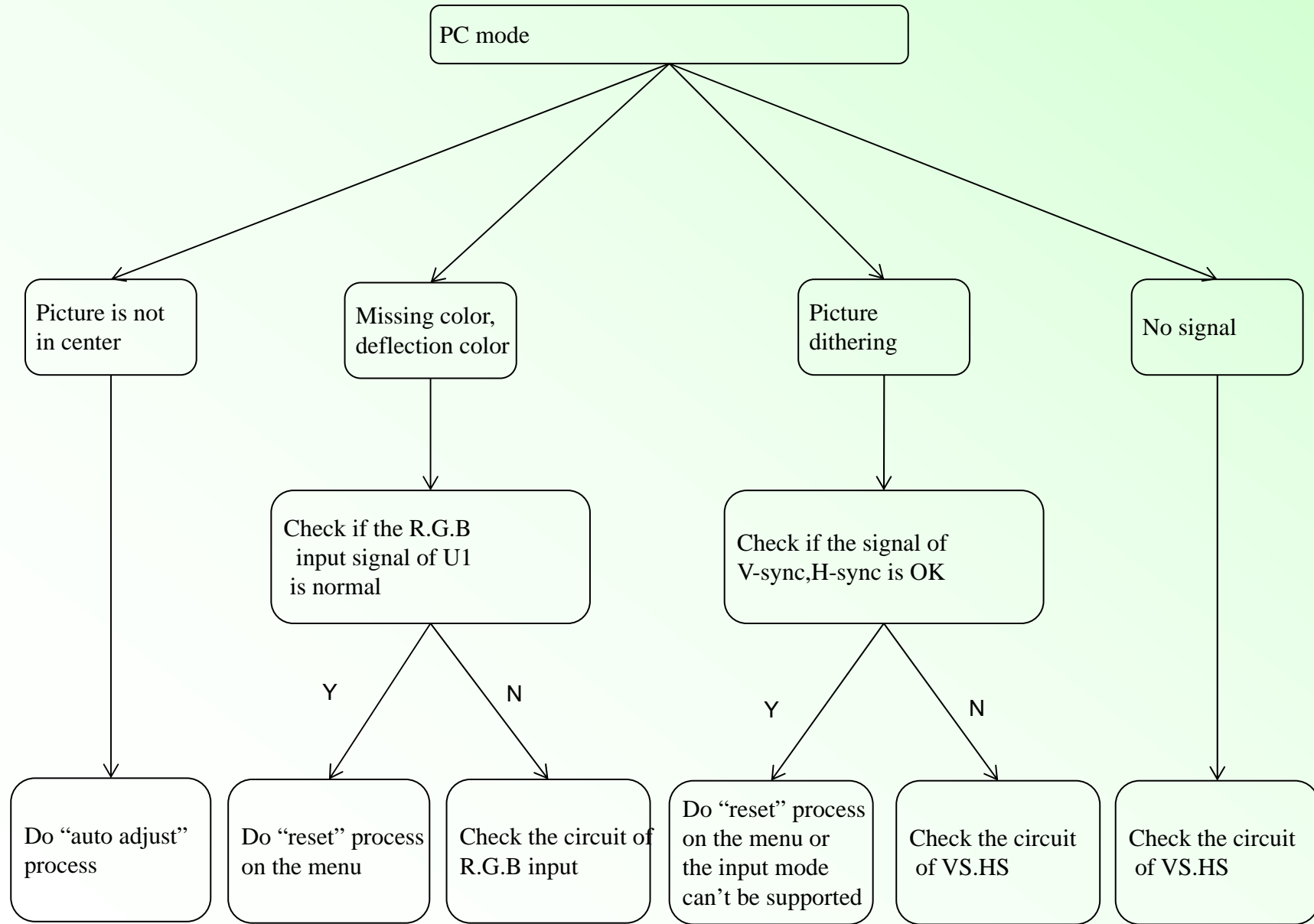
9. Audio Trouble (No sound)



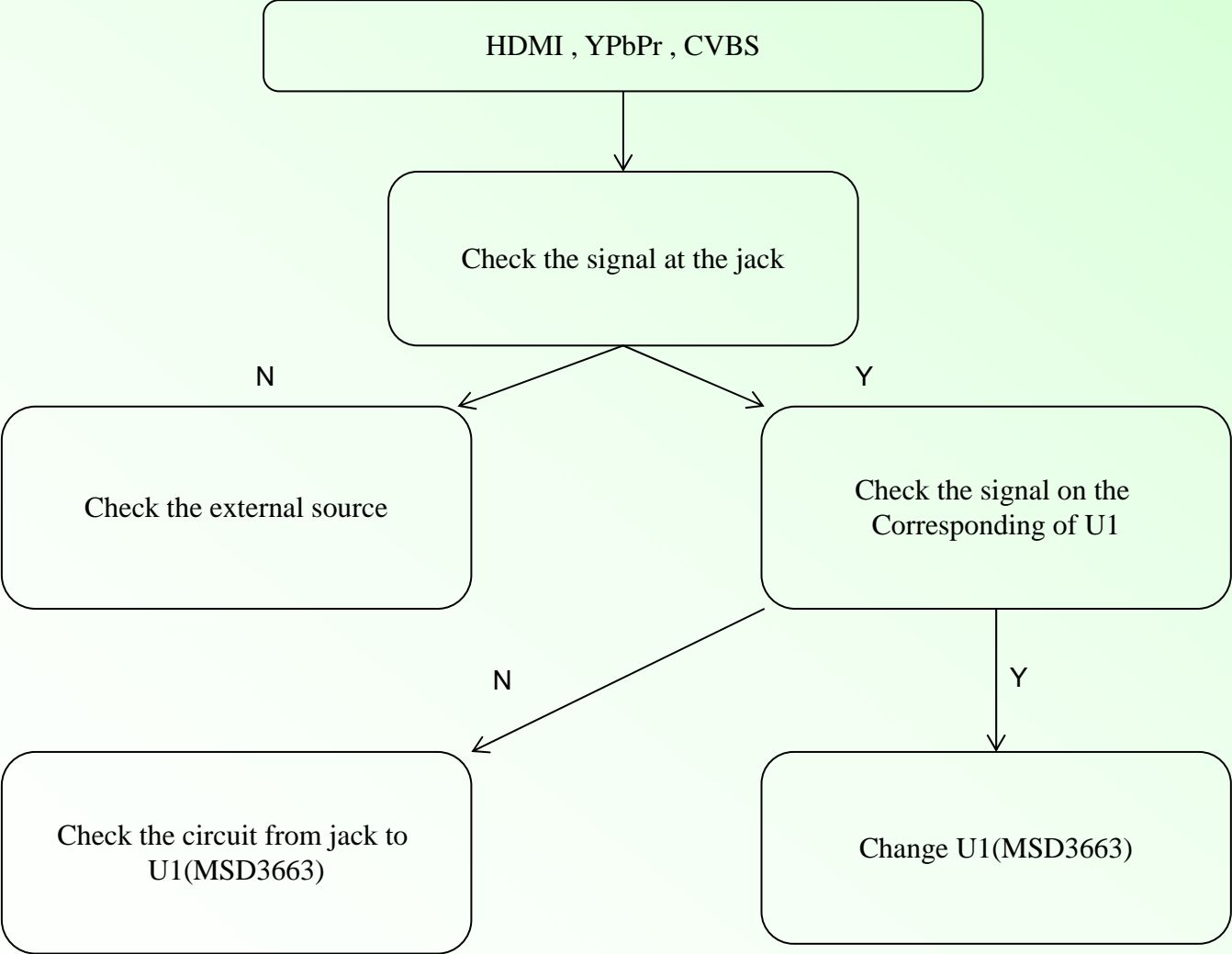
10. Function Trouble (TV video)

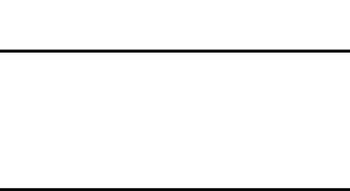
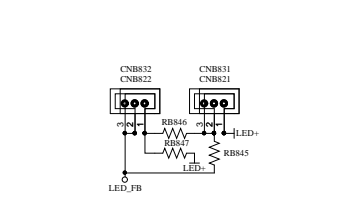
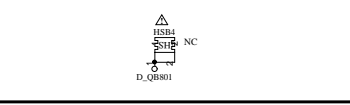
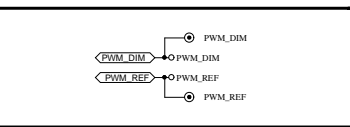
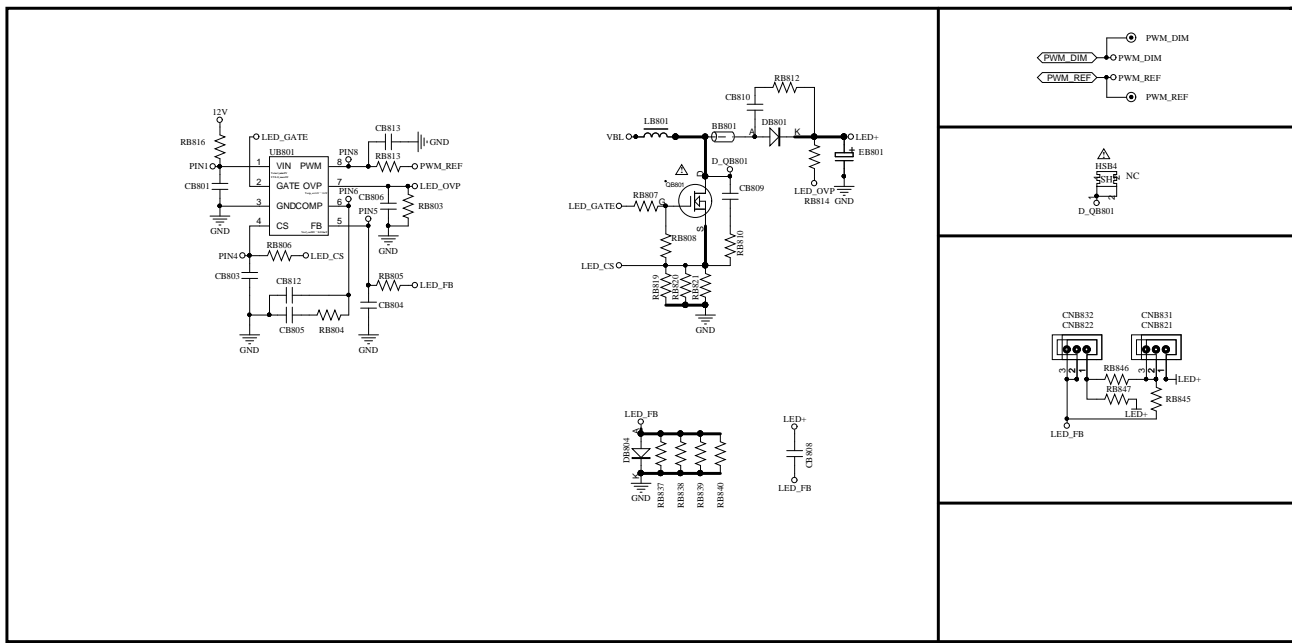
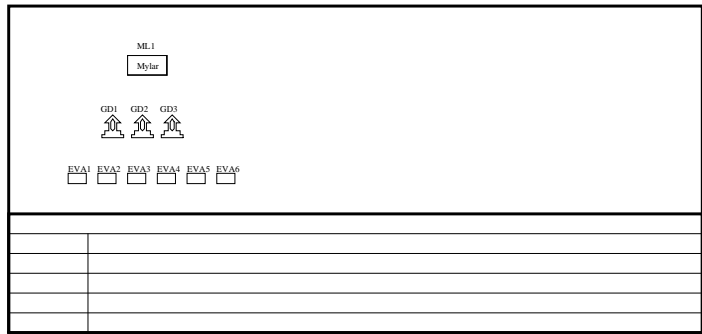
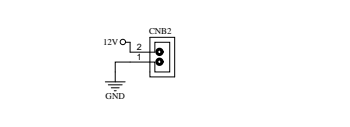
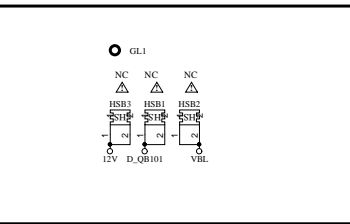
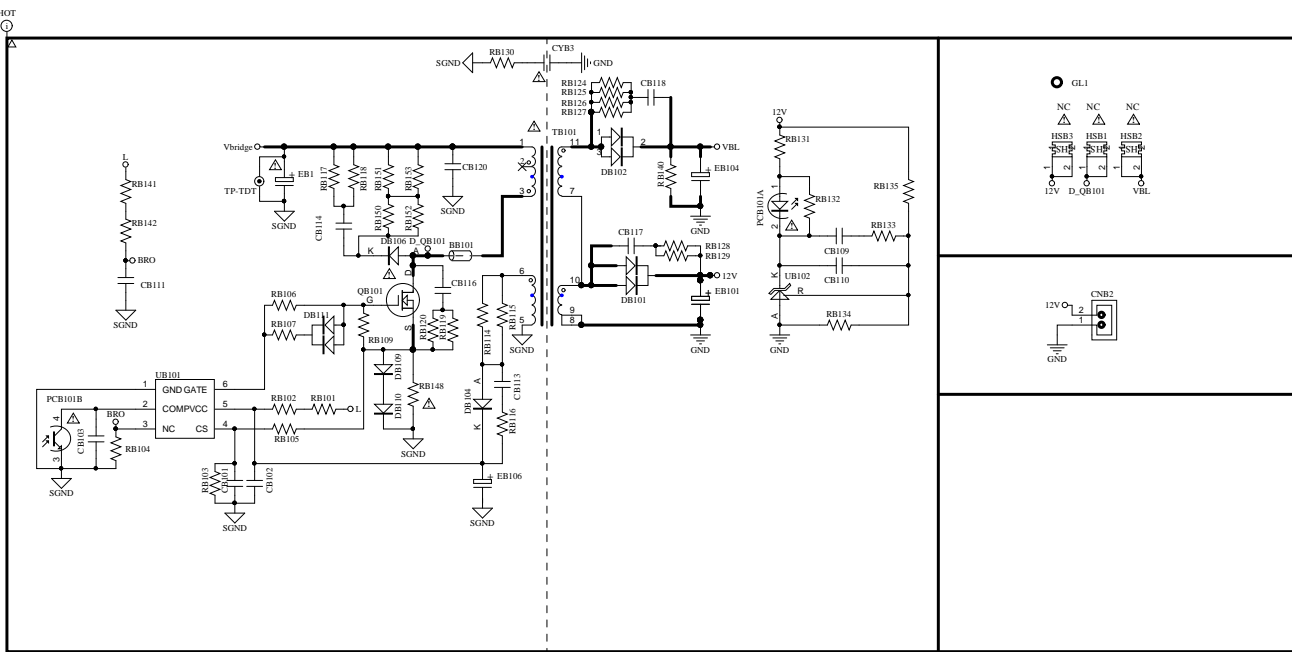
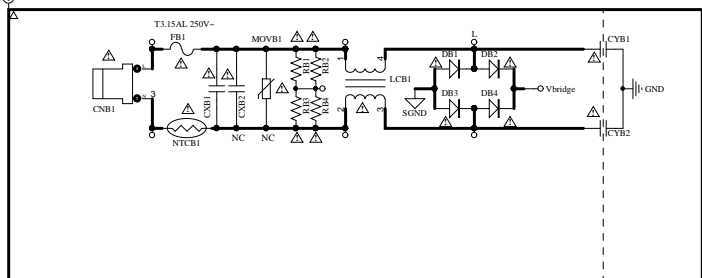
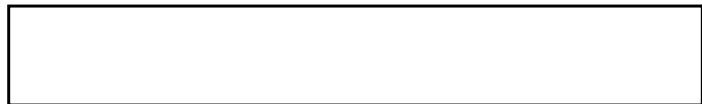


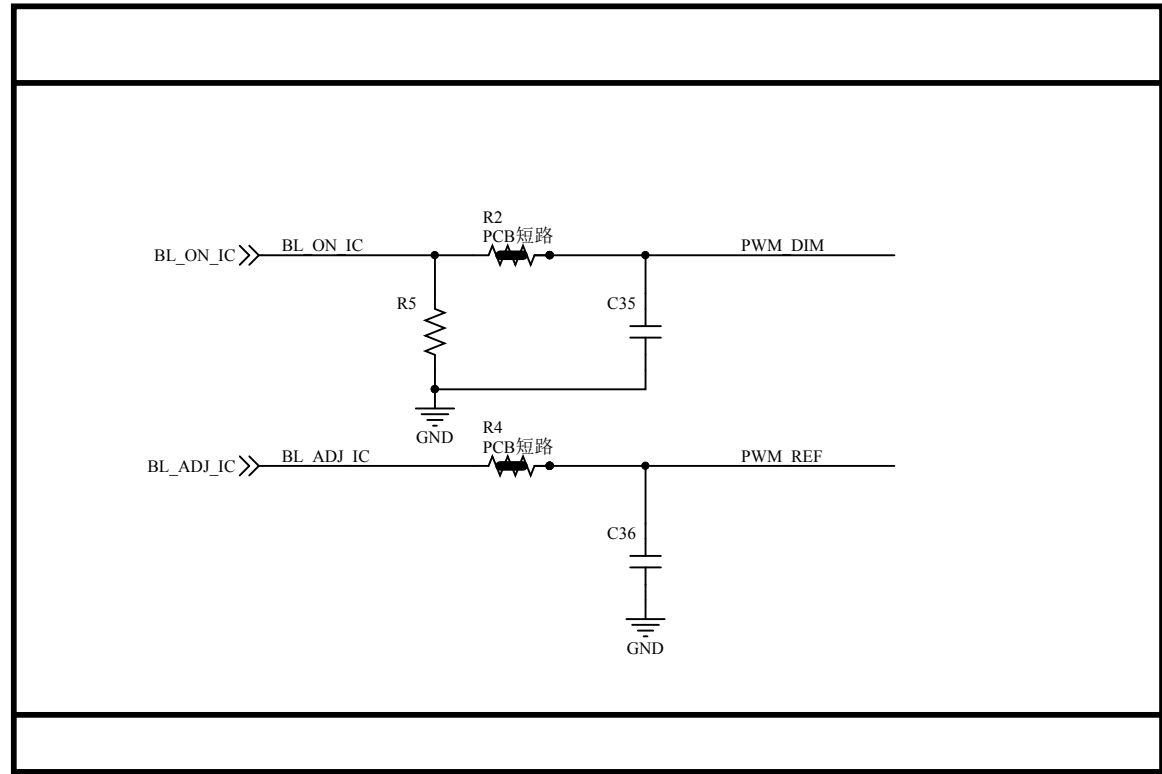
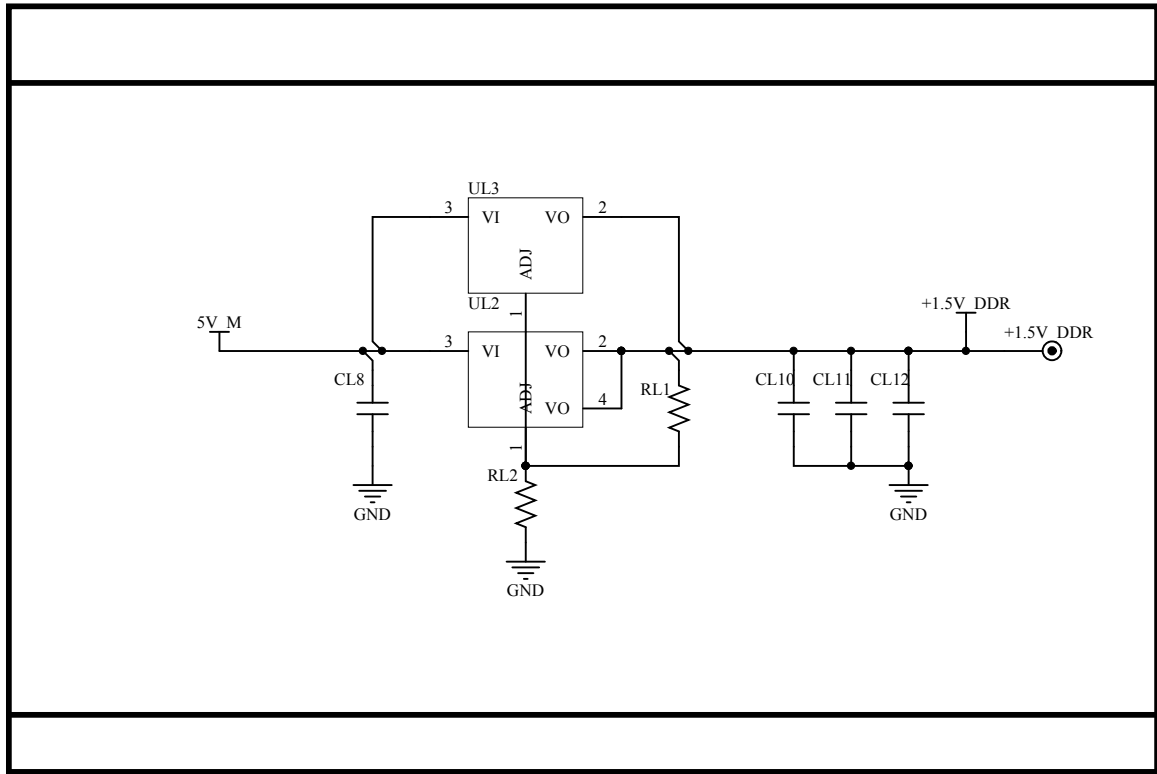
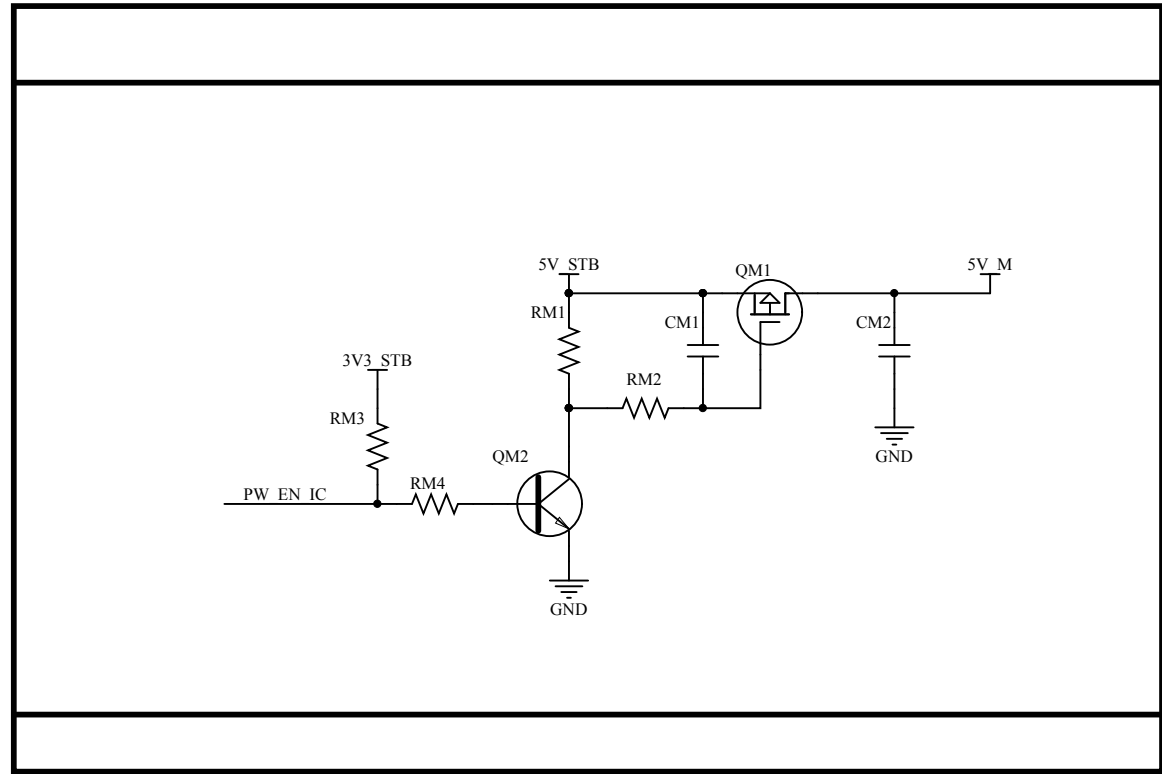
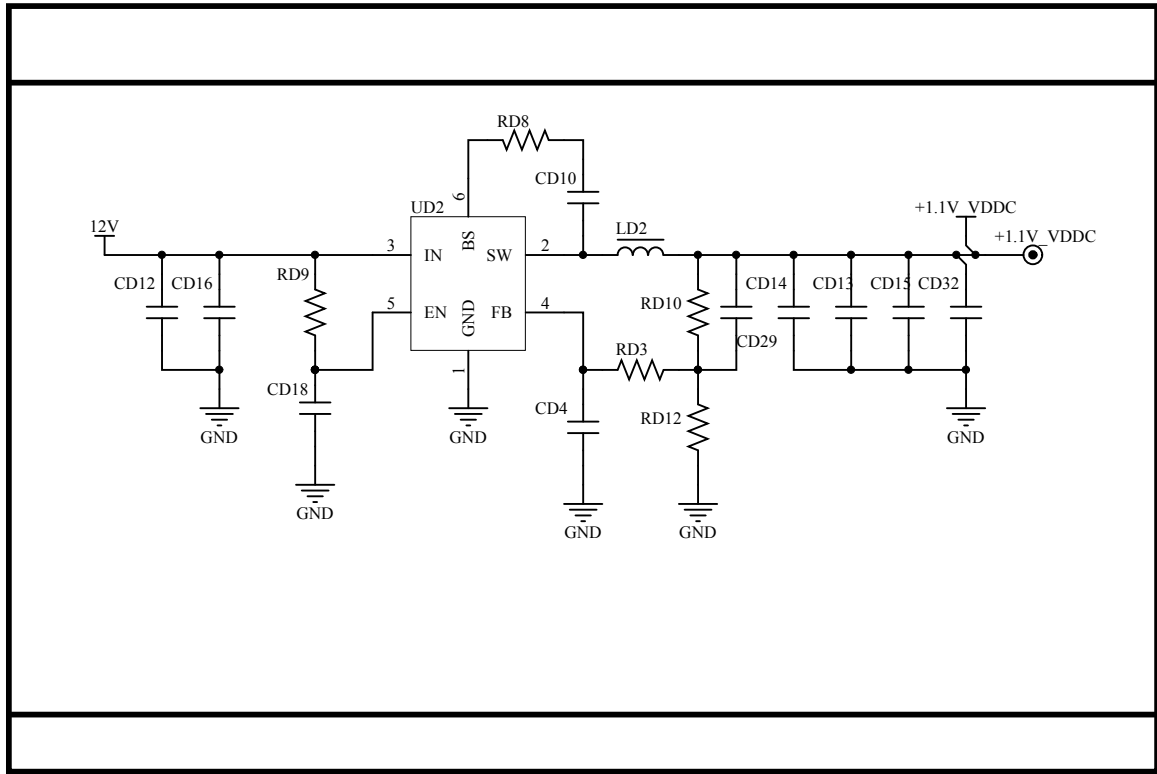
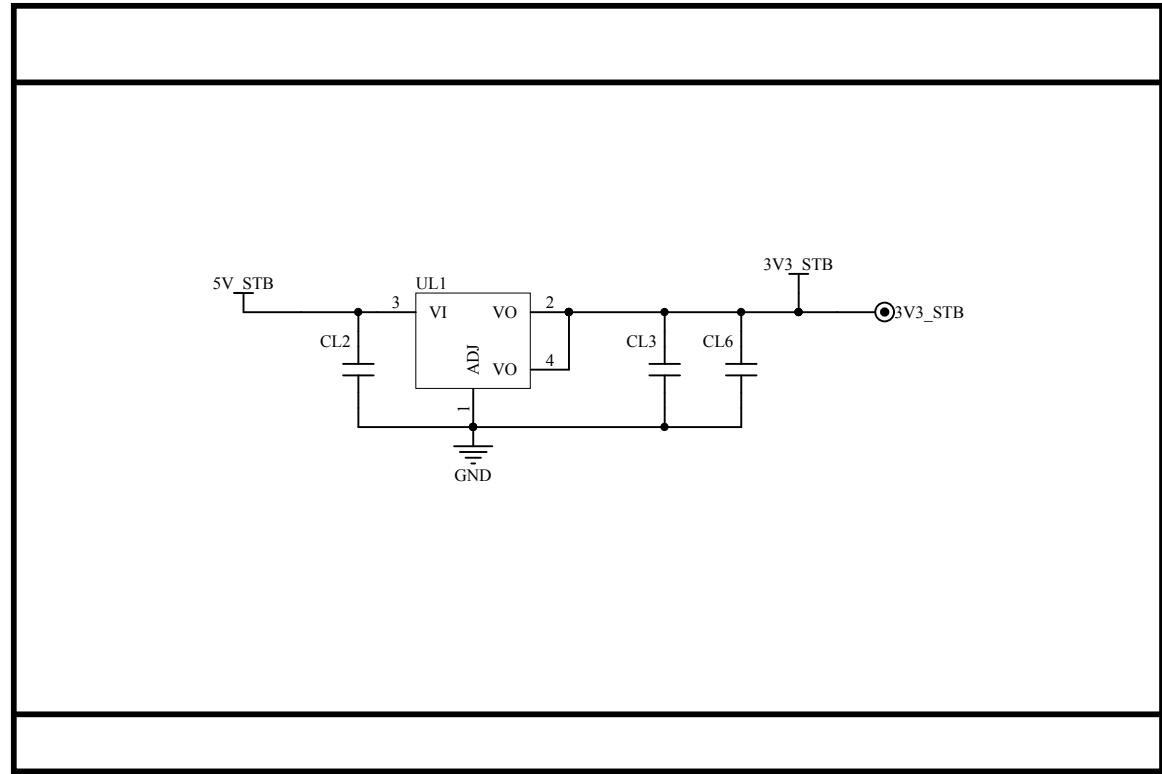
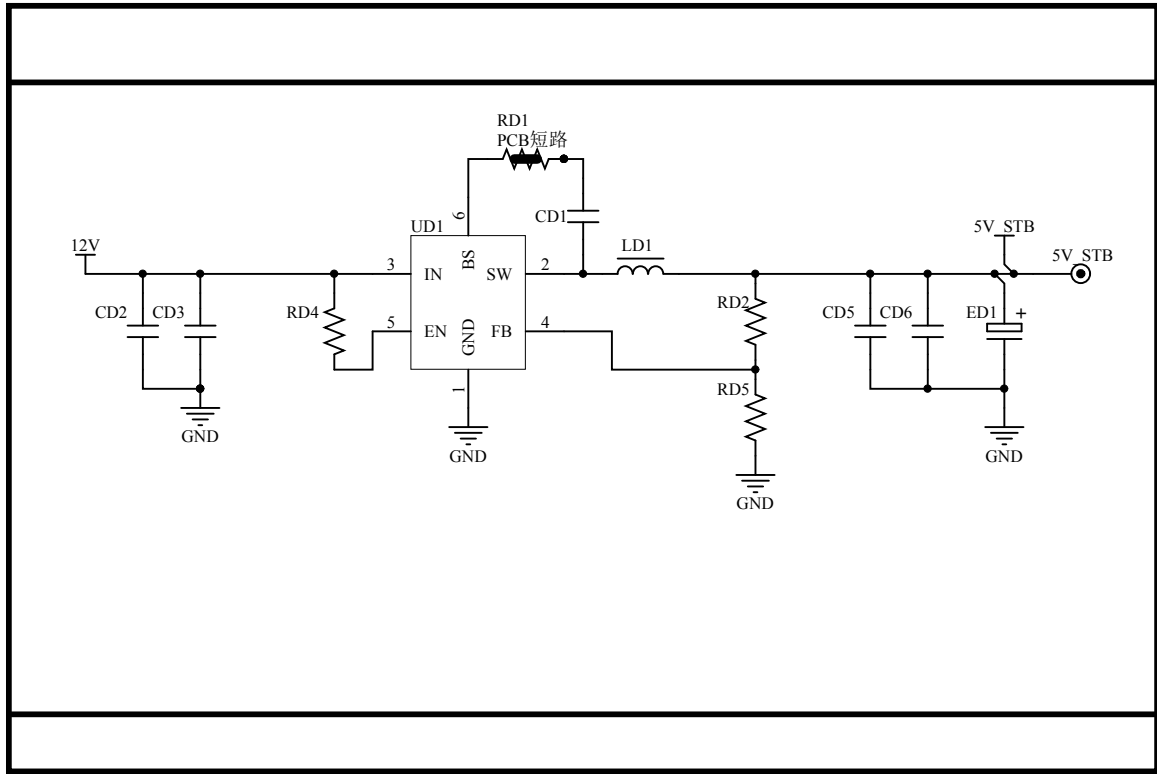
11. Function Trouble (PC)

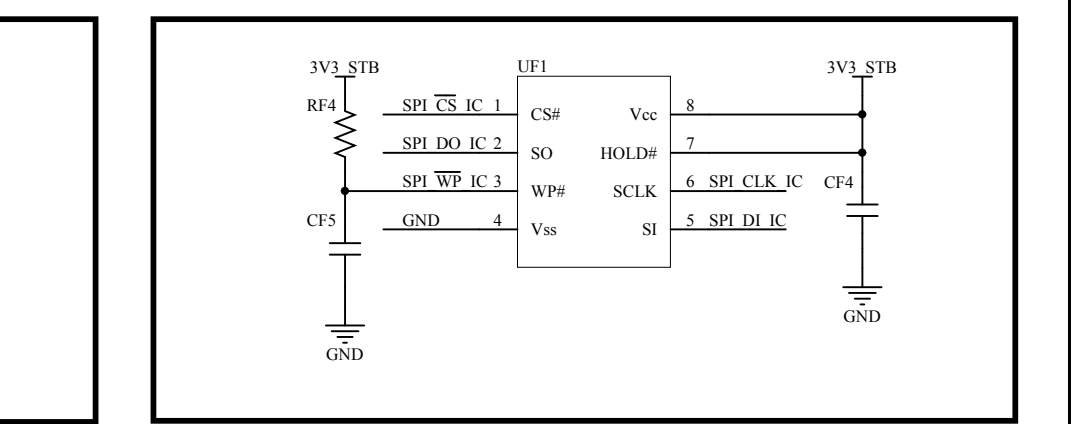
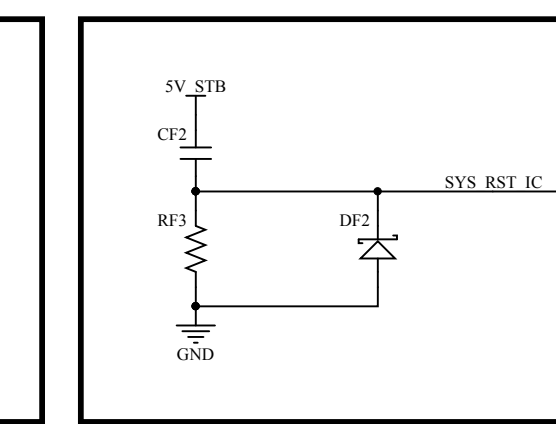
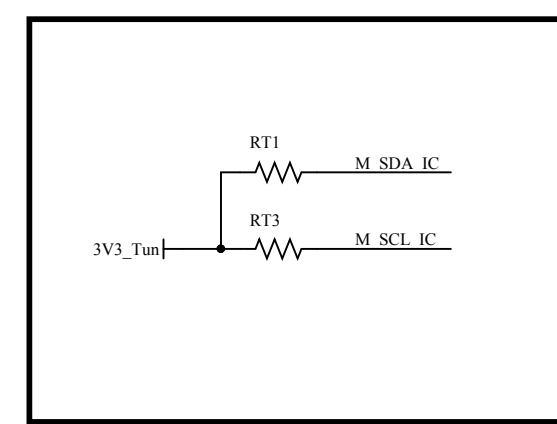
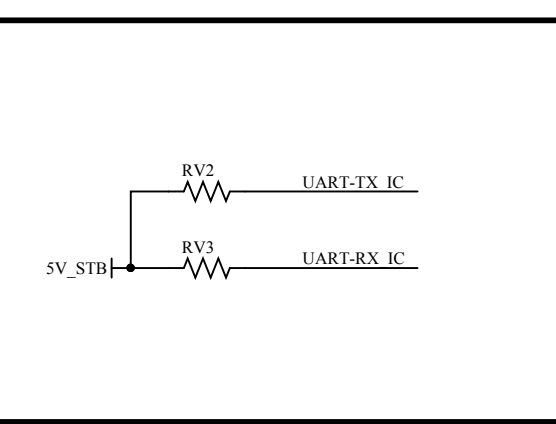
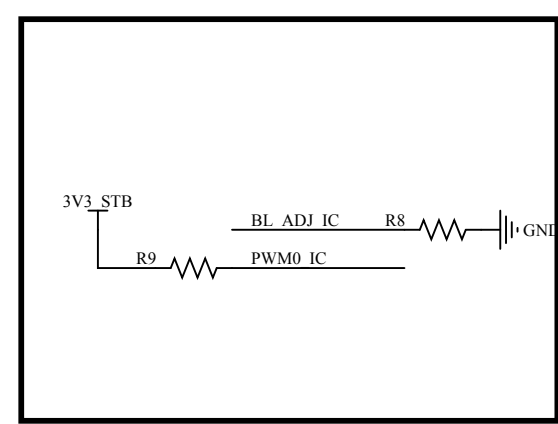
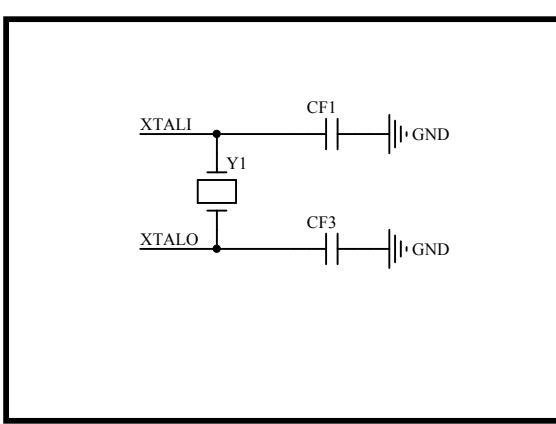
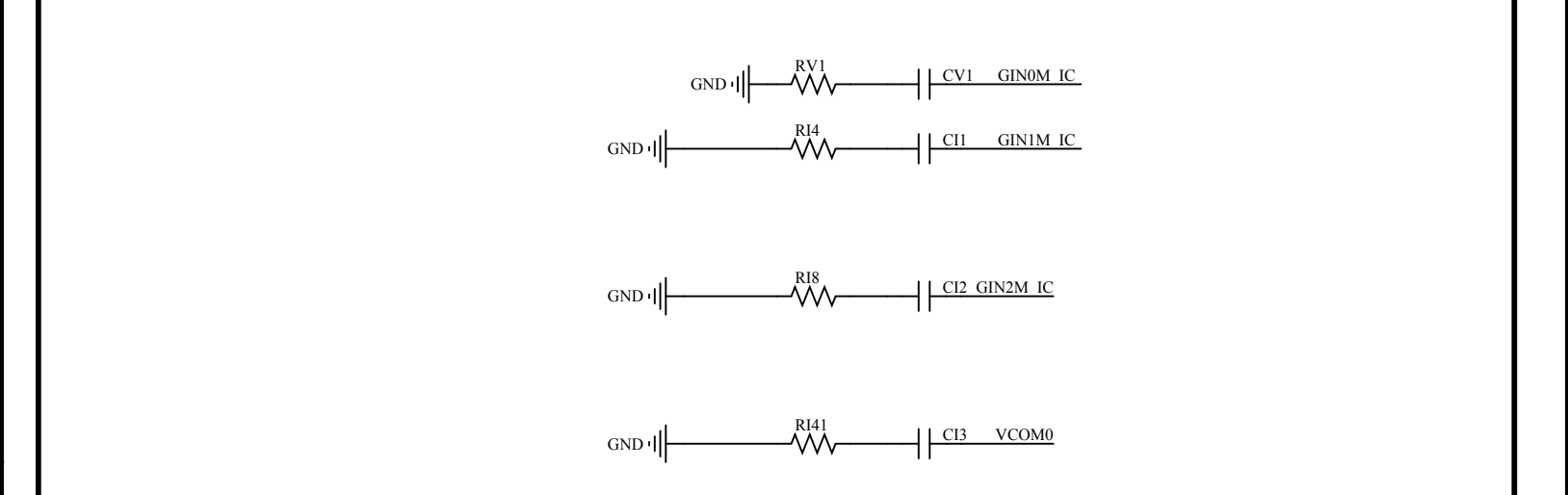
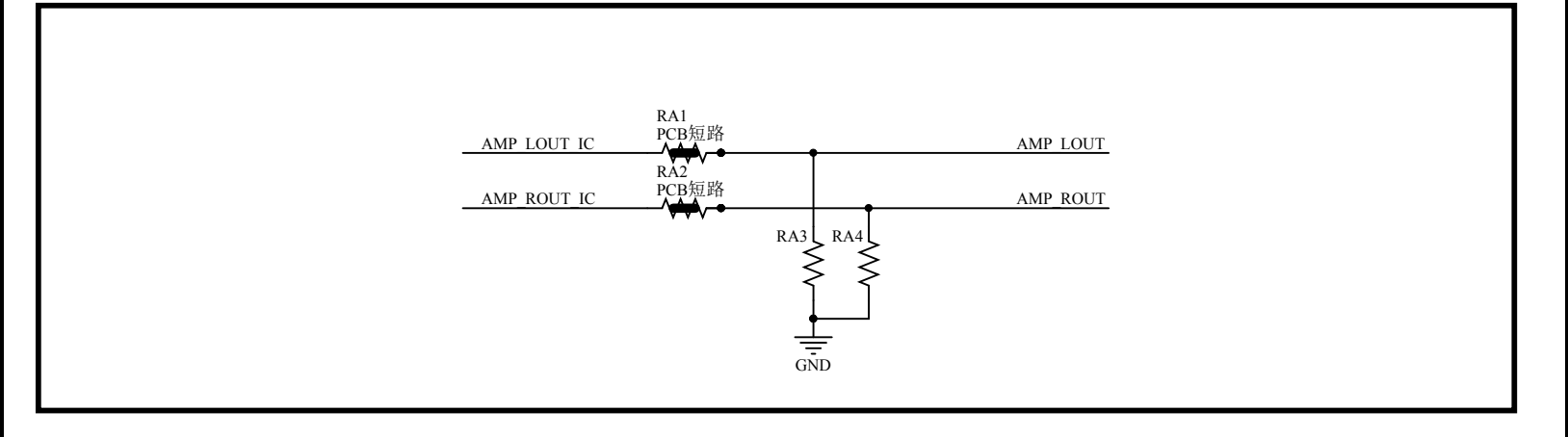
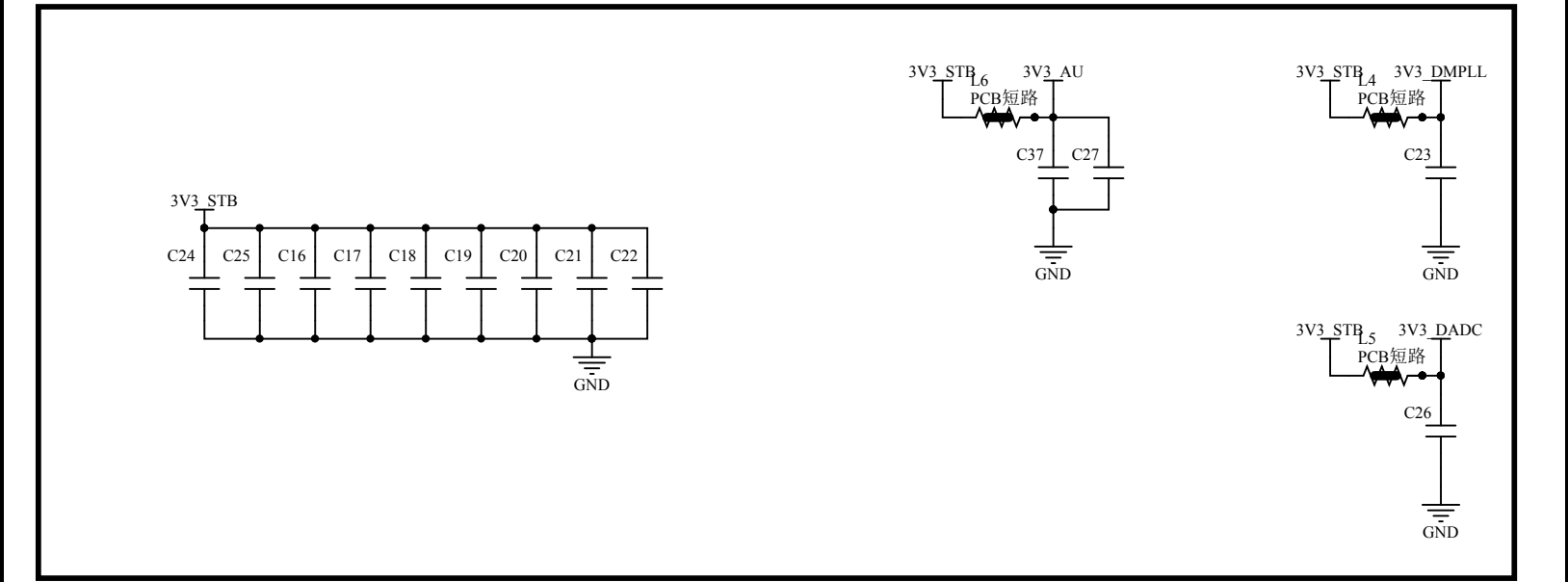
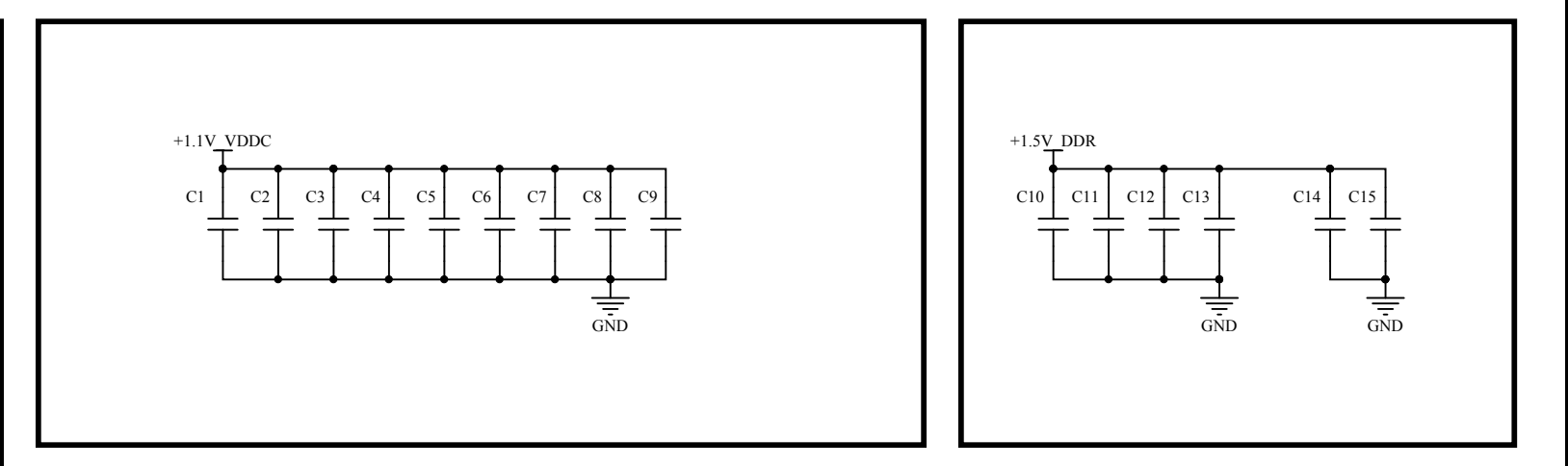
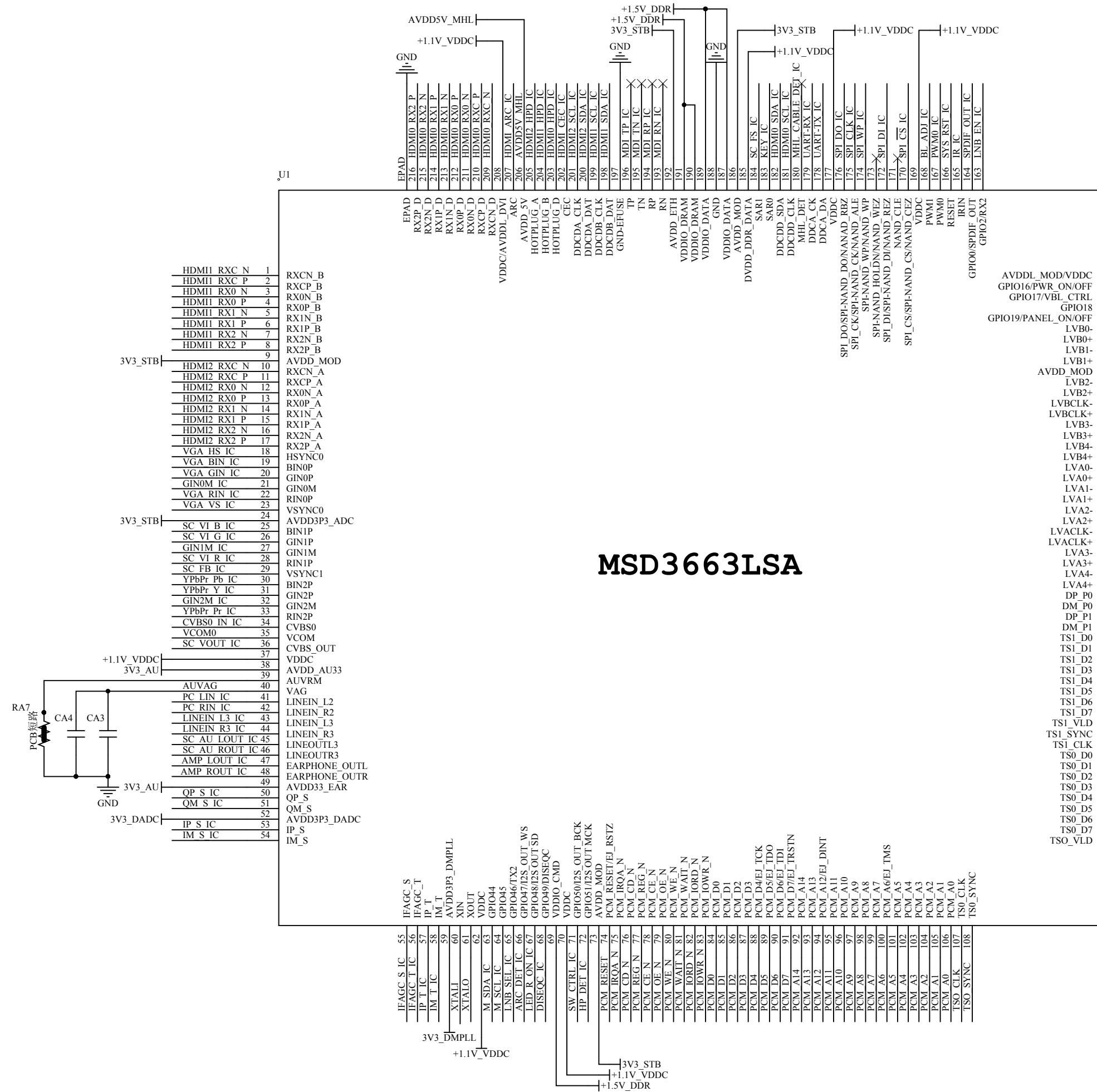


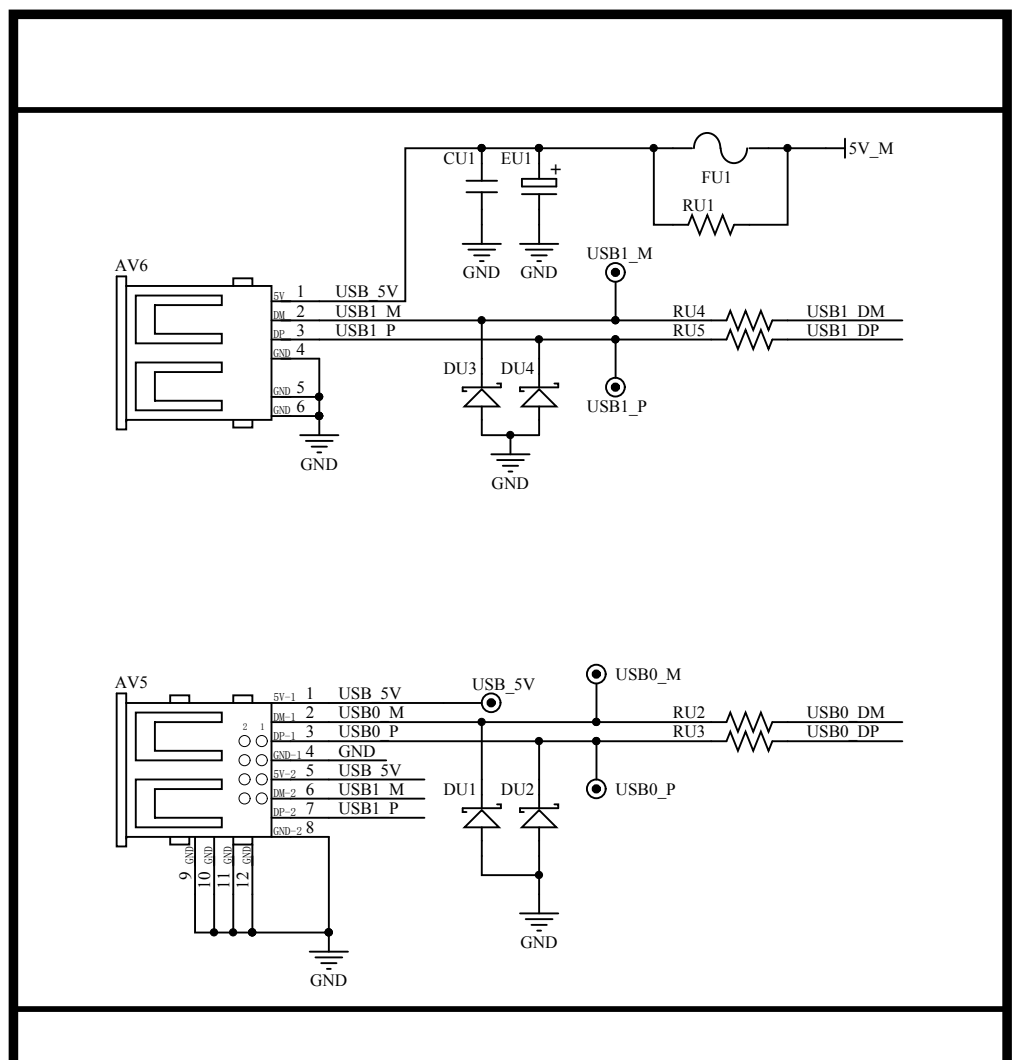
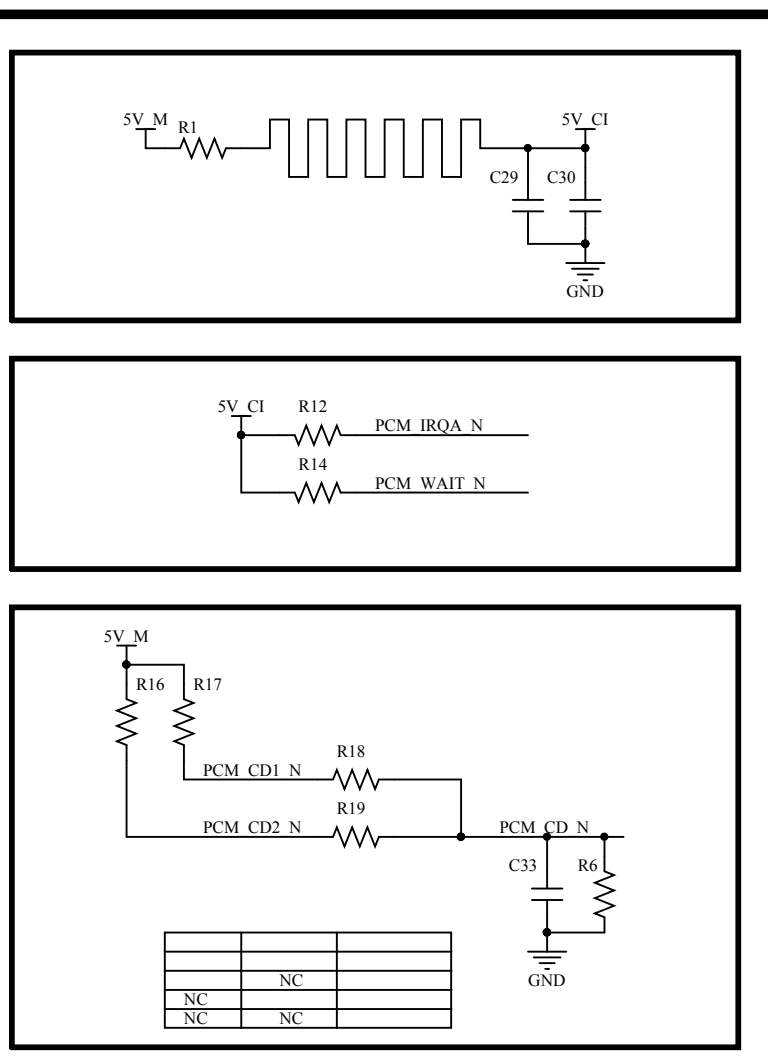
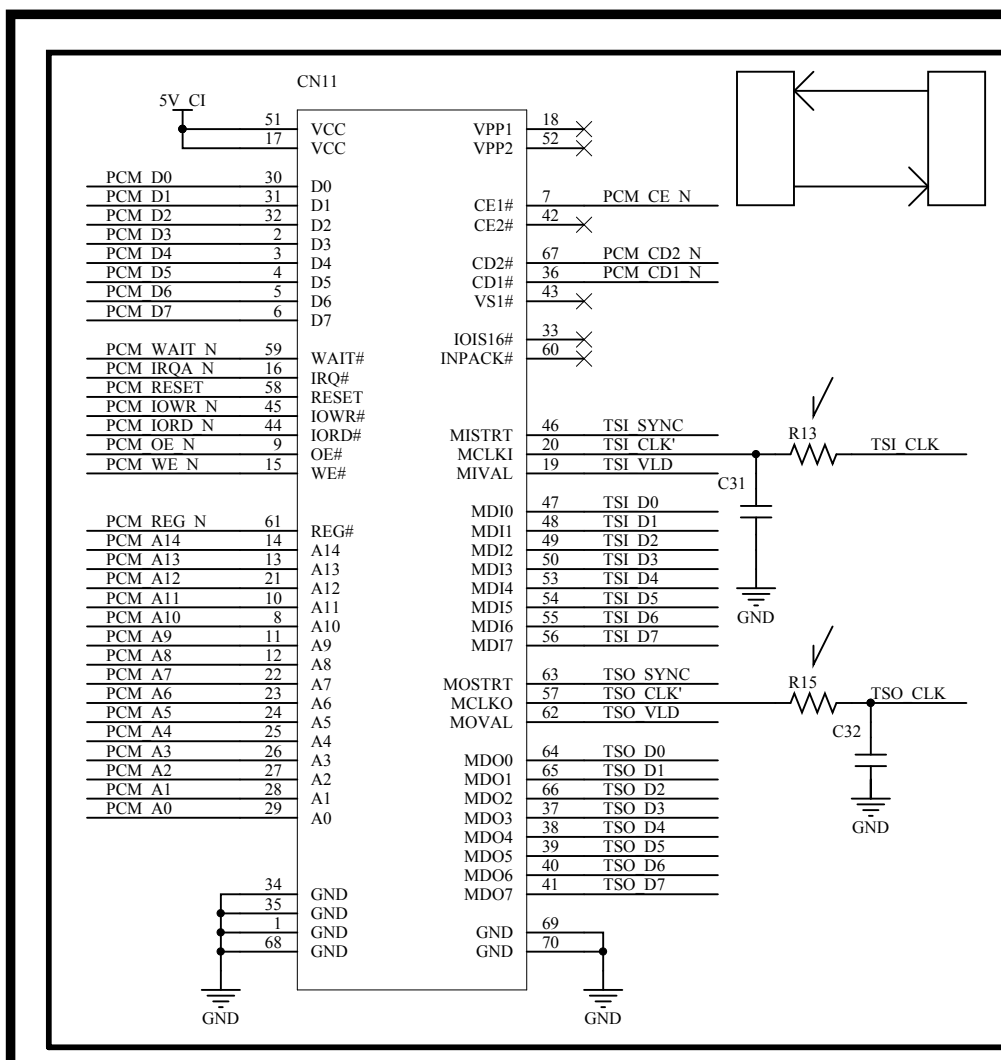
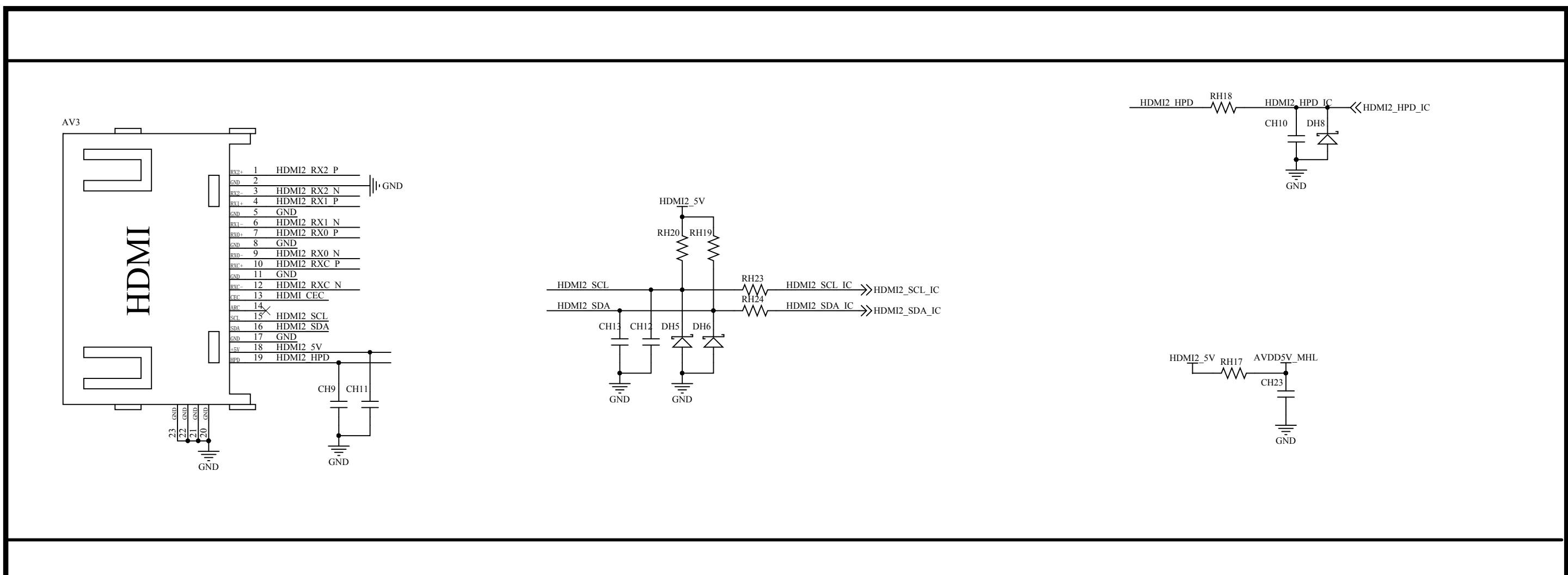
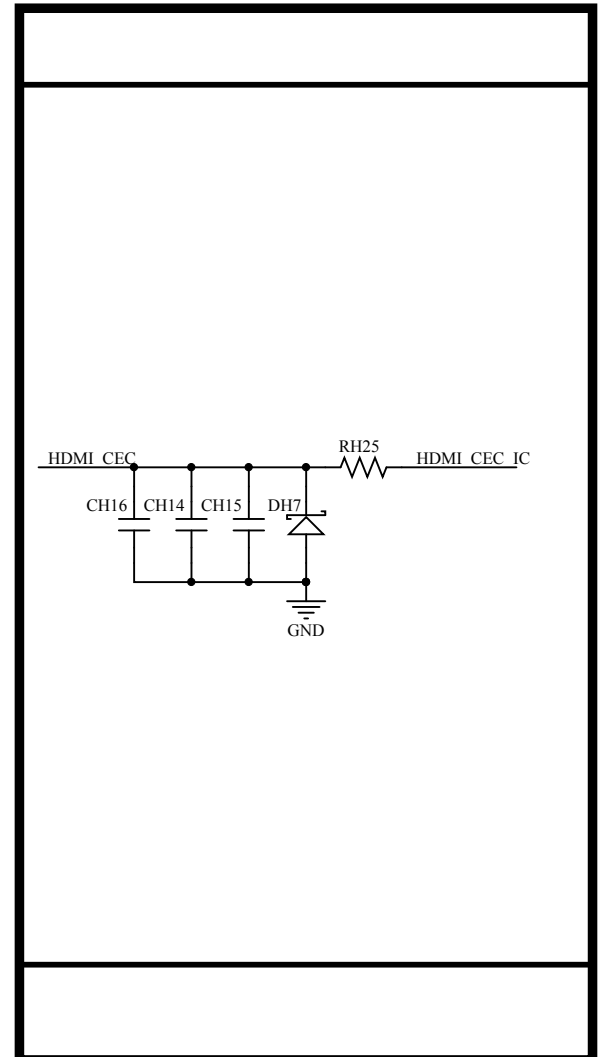
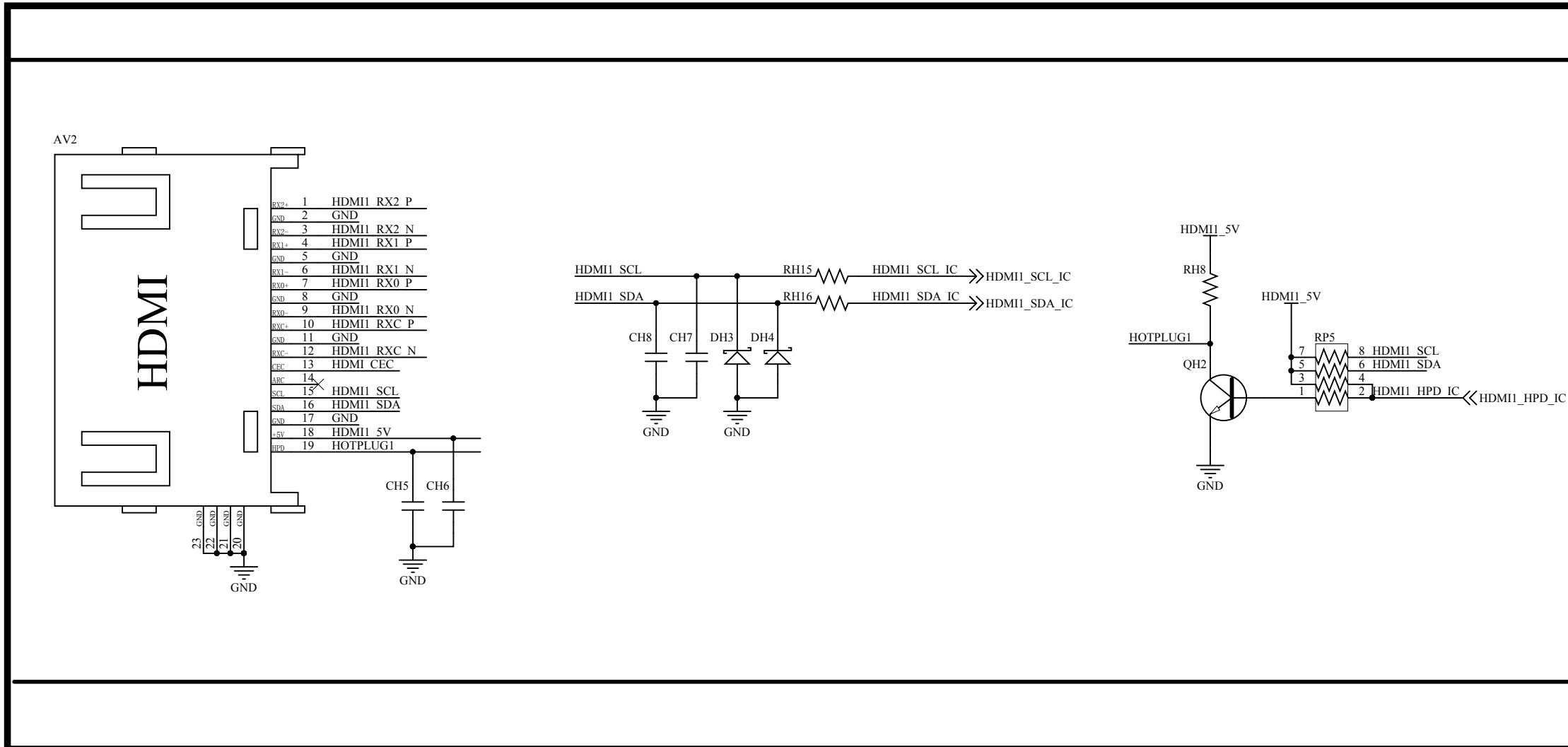
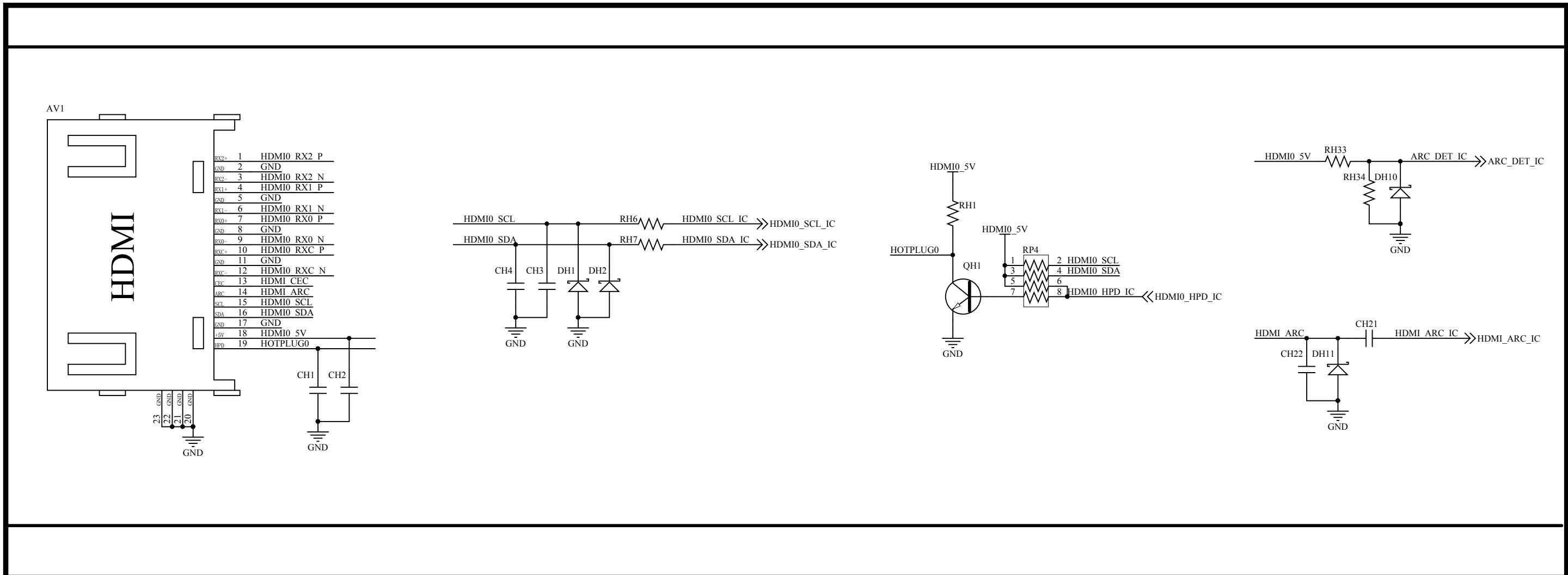
12. Function Trouble (HDMI、YPbPr、CVBS)

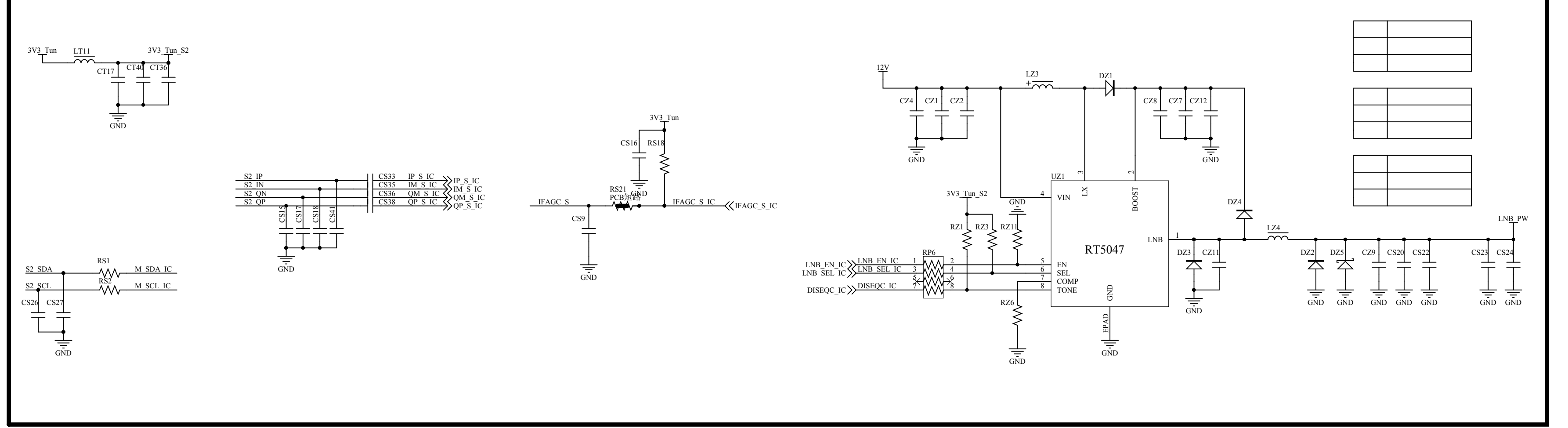
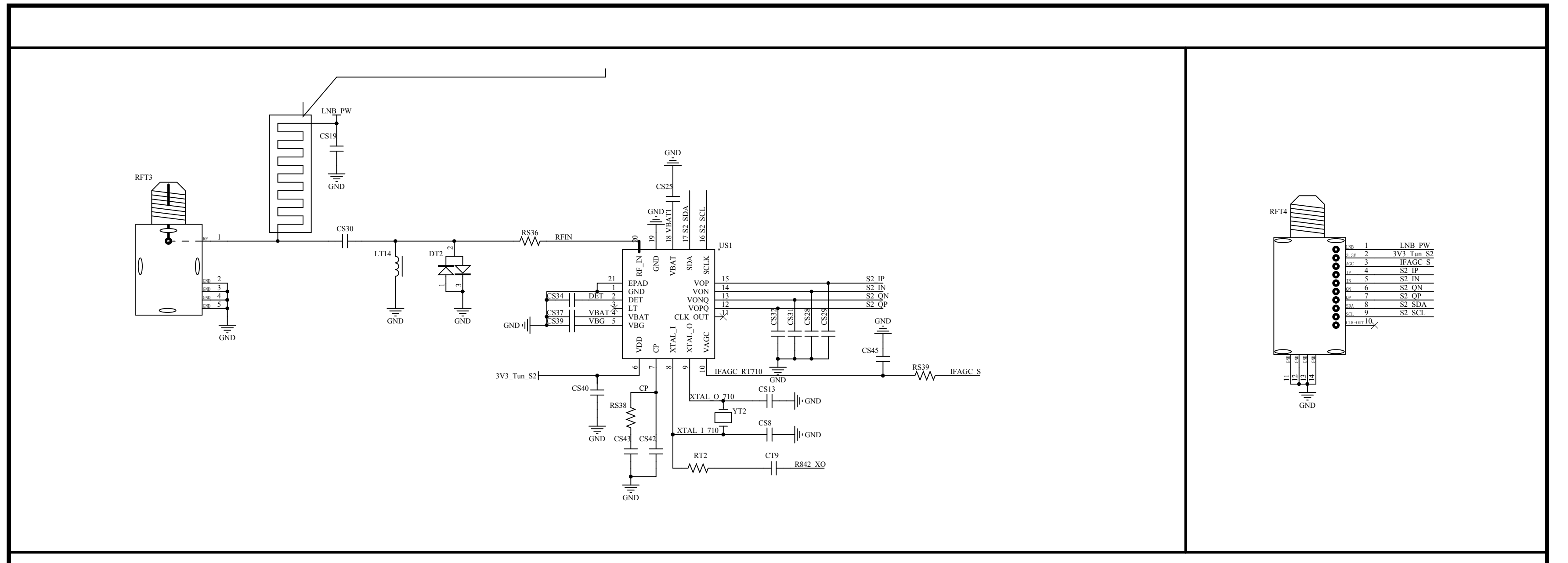
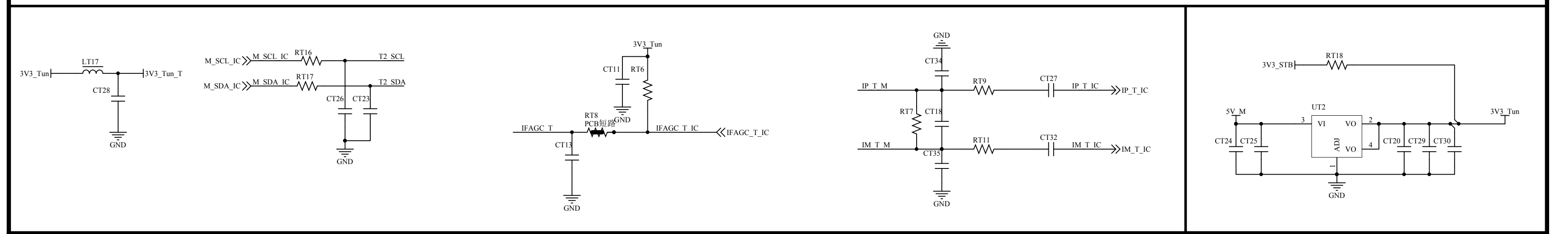
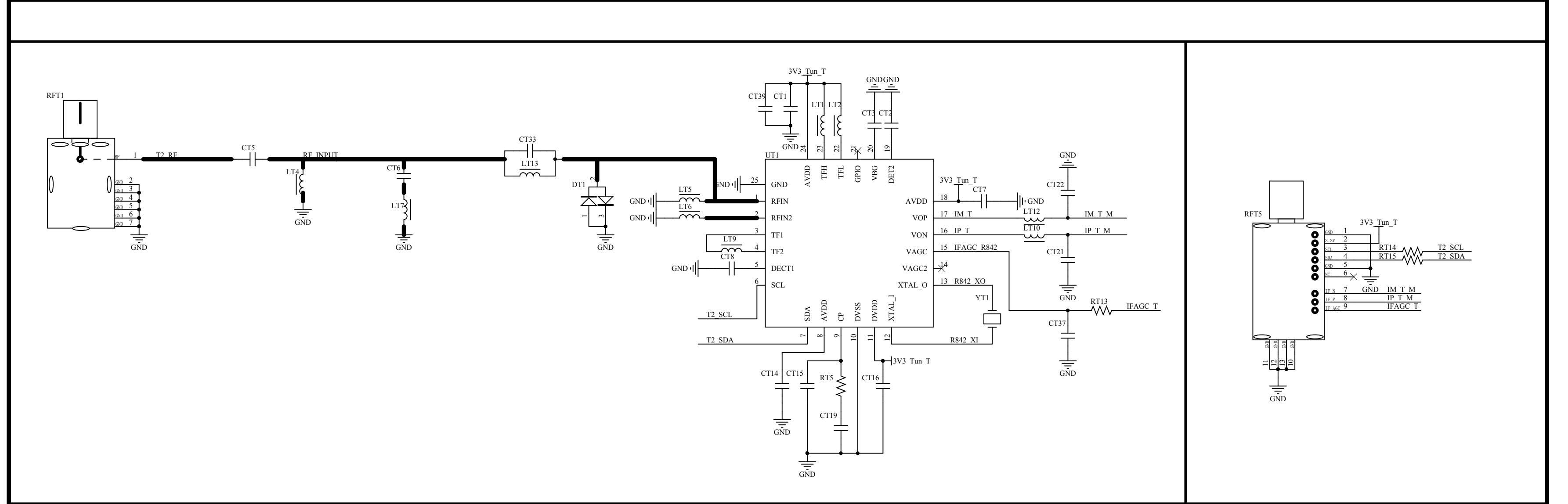




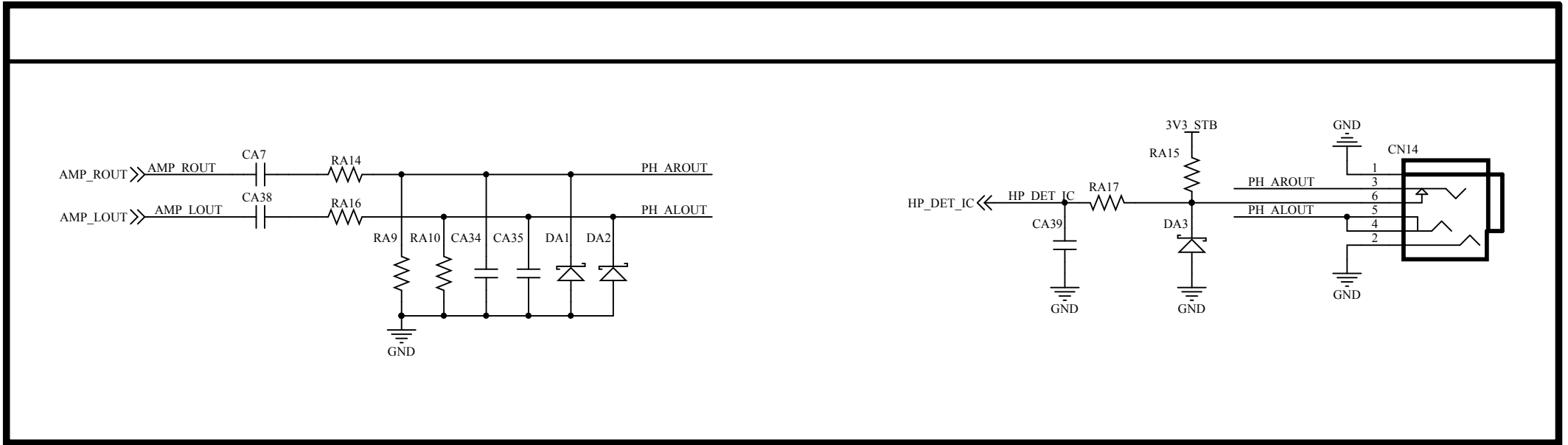






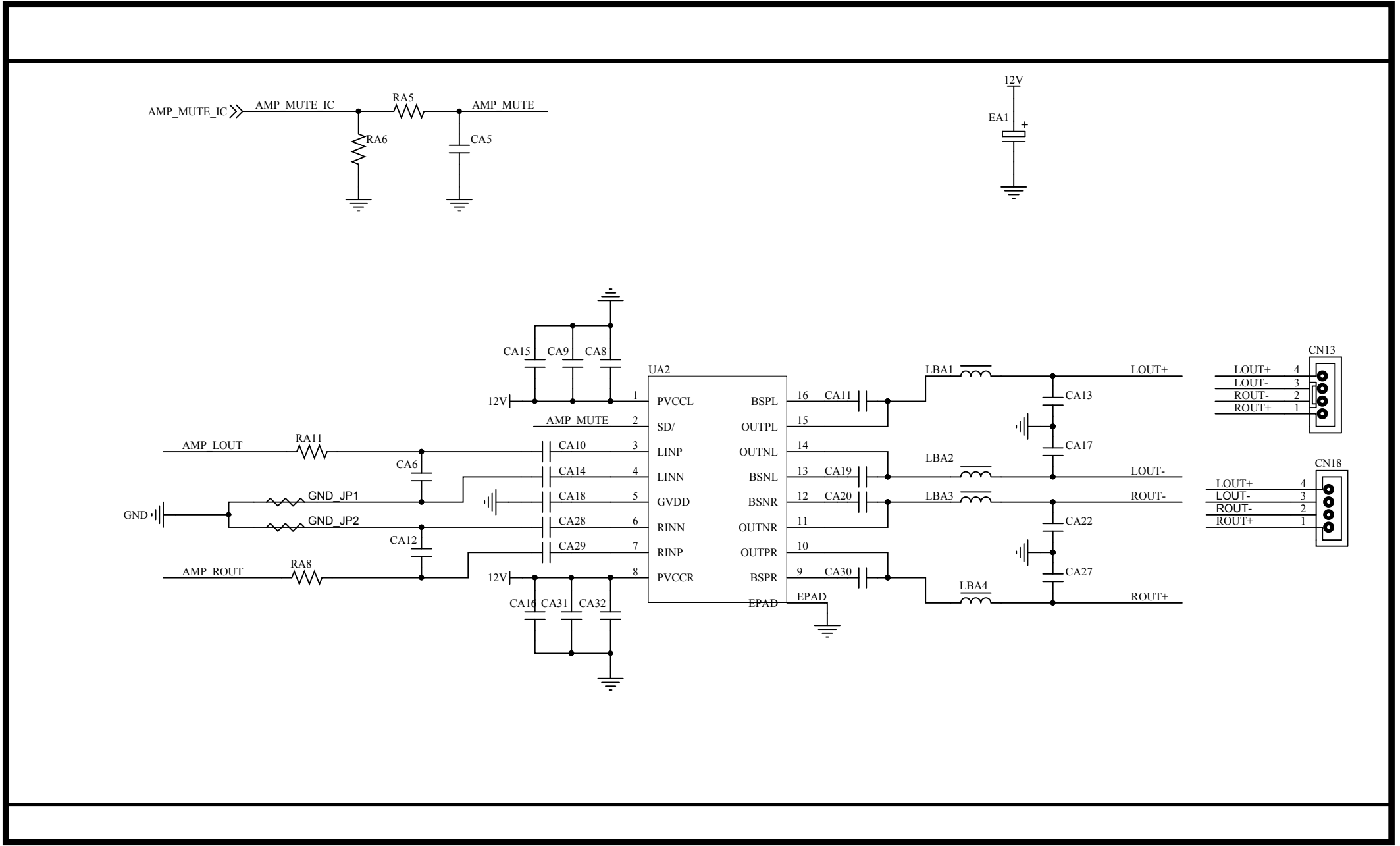


A



A

B



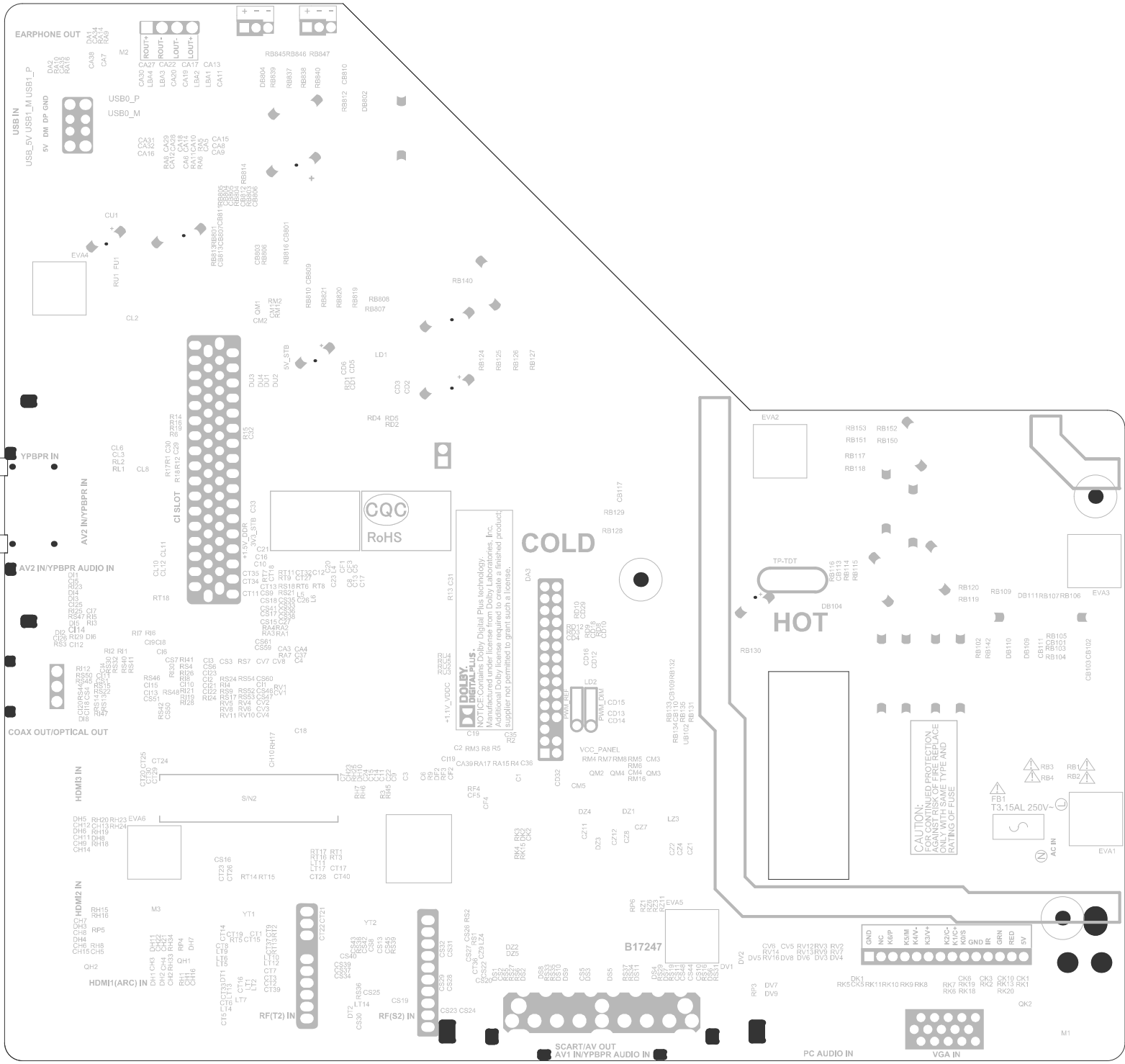
B

C

C

D

D



DOLBY DIGITAL PLUS
NOTICE: Contains Dolby Digital Plus technology.
Additional Dolby license required to create a finished product.
Supplier not permitted to grant such a license.

COLD

HOT

CAUTION: RISK OF FIRE PROTECTION
AGAINST RISK OF FIRE REPLACE
ONLY WITH SAME TYPE AND
RATING OF FUSE



SCART/AV OUT
AV1 IN/YPBPR AUDIO IN

PC AUDIO IN

VGA IN

M1



ENV	NC	DV8	CV5	RV13RV3	RV2
NC	K6P	RV4	RV16DV8	RV14RV3	RV2
K6M	K6M	DV6	DV3	RV11	DV4
K6W	K3W				
K3W	K2C				
K1C	K1C				
K1C	K1C				
GND IR	GND IR				
GRN	GRN				
RED	RED				
SV	SV				

B17247



RF(S2) IN

RF(T2) IN

