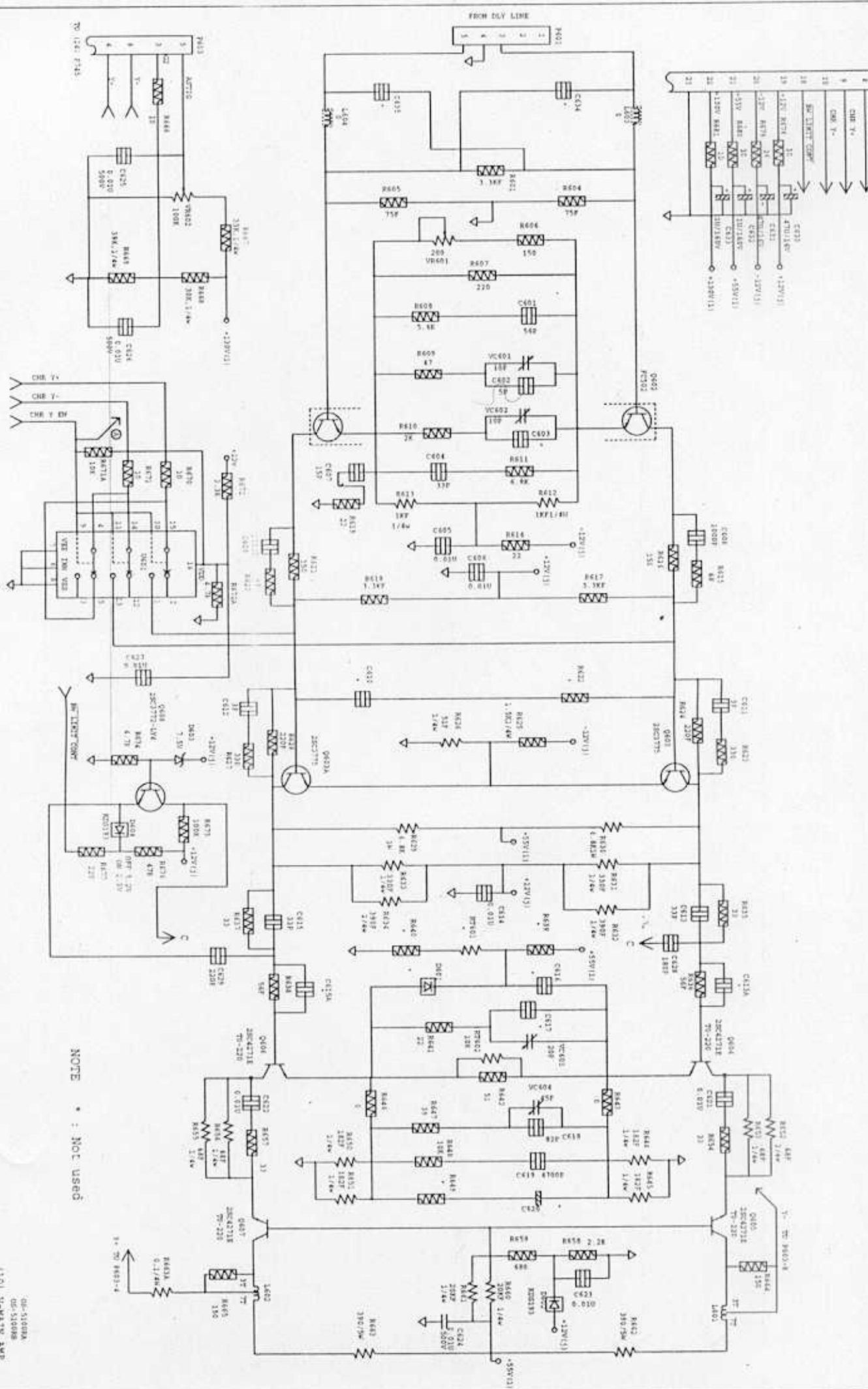
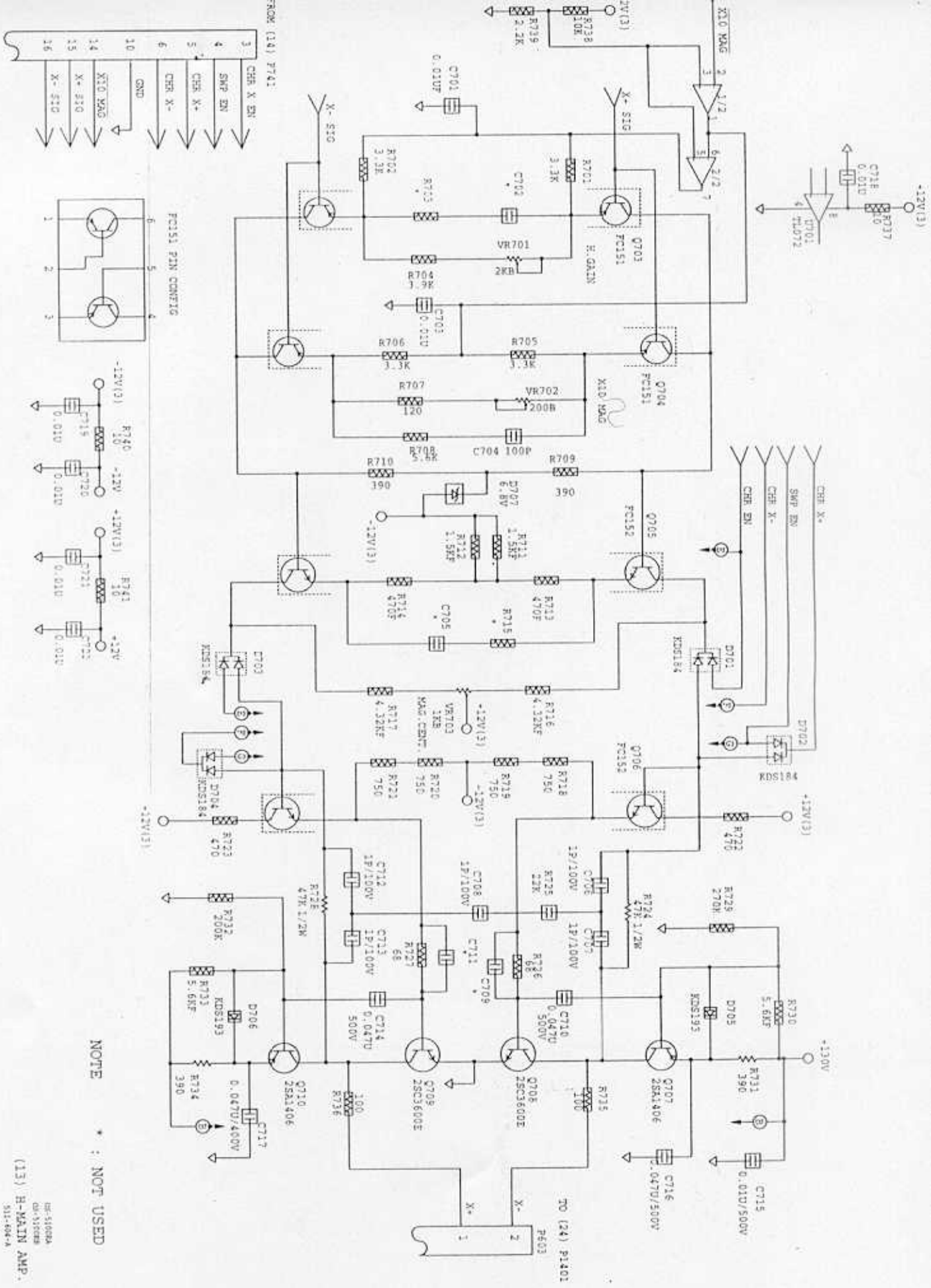


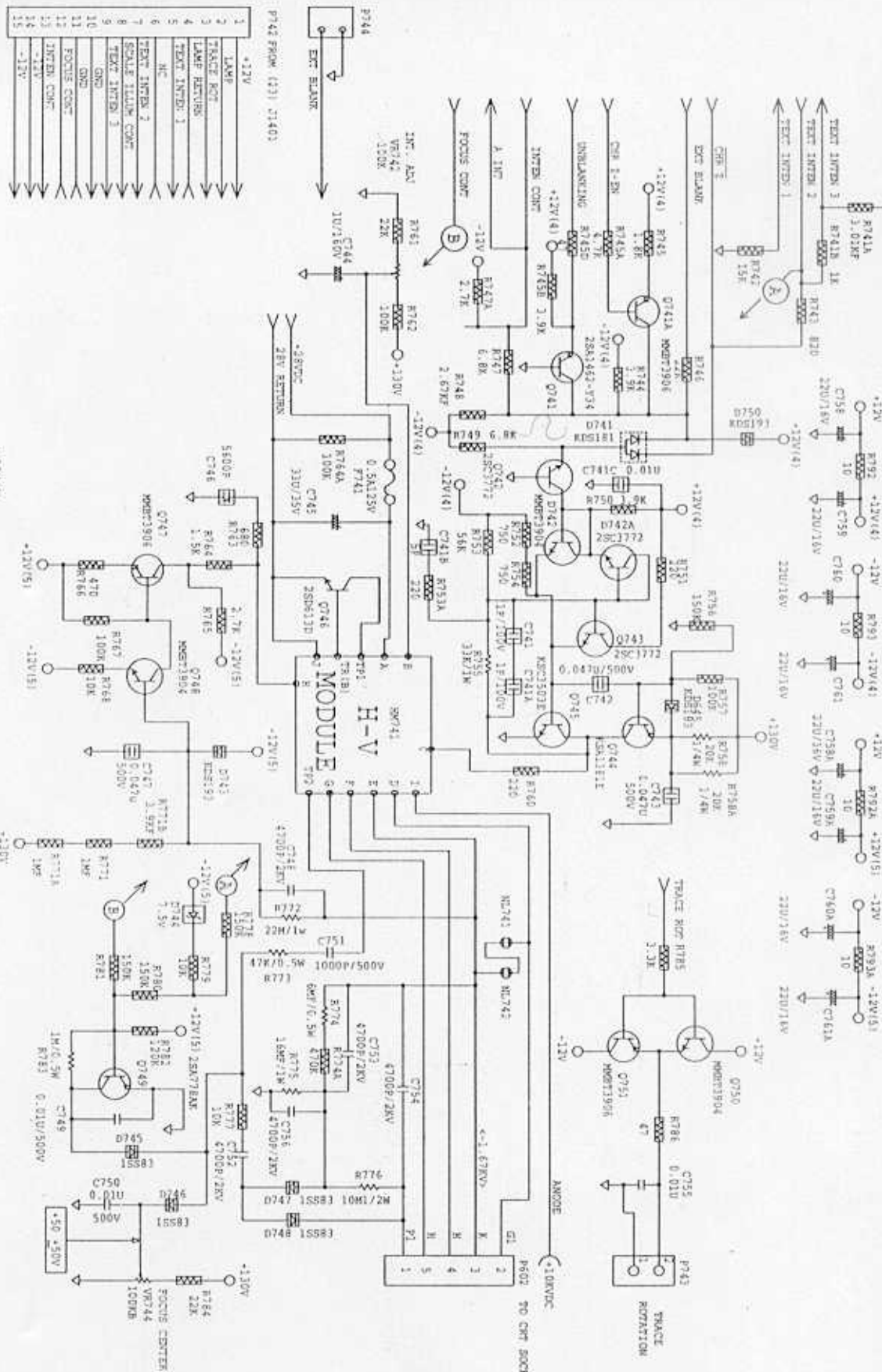
NOTE: * : Not used
 < > : OS-5100RB



NOTE * : NOT USED

GP-15500A
 GP-15500B
 (12) V-BANK AMP.
 515-64-A
 1/3





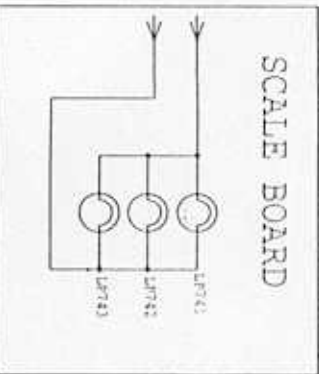
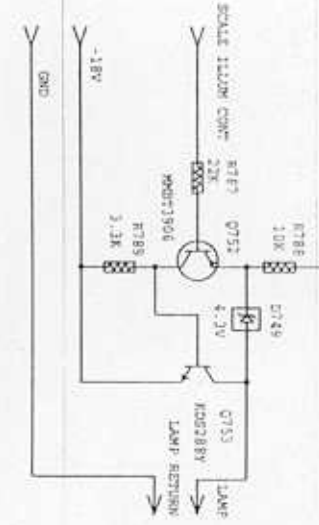
P742 FROM (23) 01401

1	LAMP	+12V
2	TRACE ROT	
3	LAMP RETURN	
4	TEXT INTD 1	
5	NC	
6	TEXT INTD 2	
7	SCALE ILLUM COM	
8	TEXT INTD 3	
9	NC	
10	NC	
11	FOCUS COM	
12	INTD COM	
13	INTD COM	
14	INTD COM	
15	INTD COM	
16	INTD COM	
17	INTD COM	
18	INTD COM	
19	INTD COM	
20	INTD COM	
21	INTD COM	
22	INTD COM	
23	INTD COM	

P741 FROM (12) P101

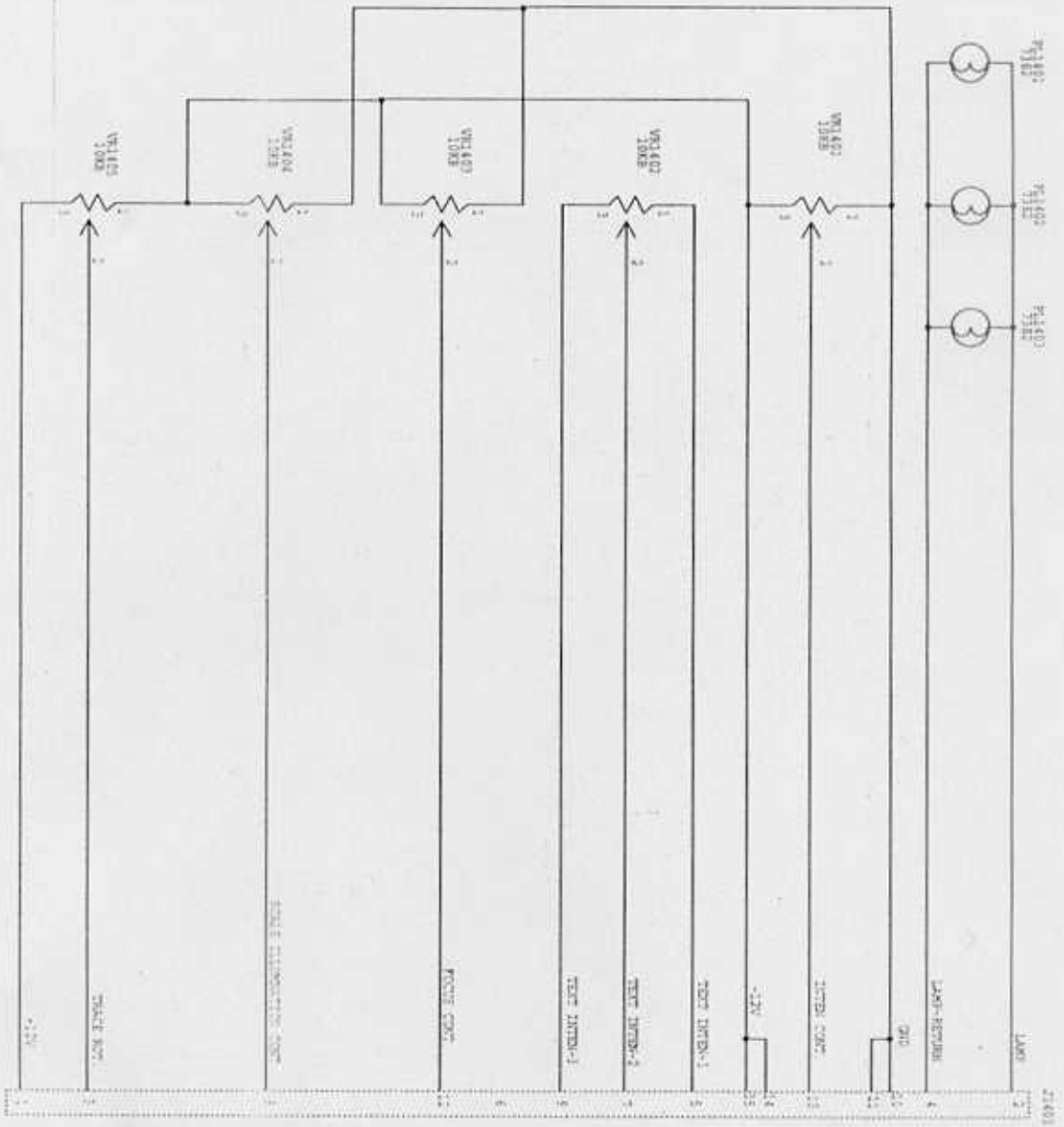
UNBLANKING

11	NC	
12	NC	
13	NC	
14	NC	
15	NC	
16	NC	
17	NC	
18	NC	
19	NC	
20	NC	
21	NC	
22	NC	
23	NC	
24	NC	
25	NC	
26	NC	
27	NC	



NOTE * : NOT USED

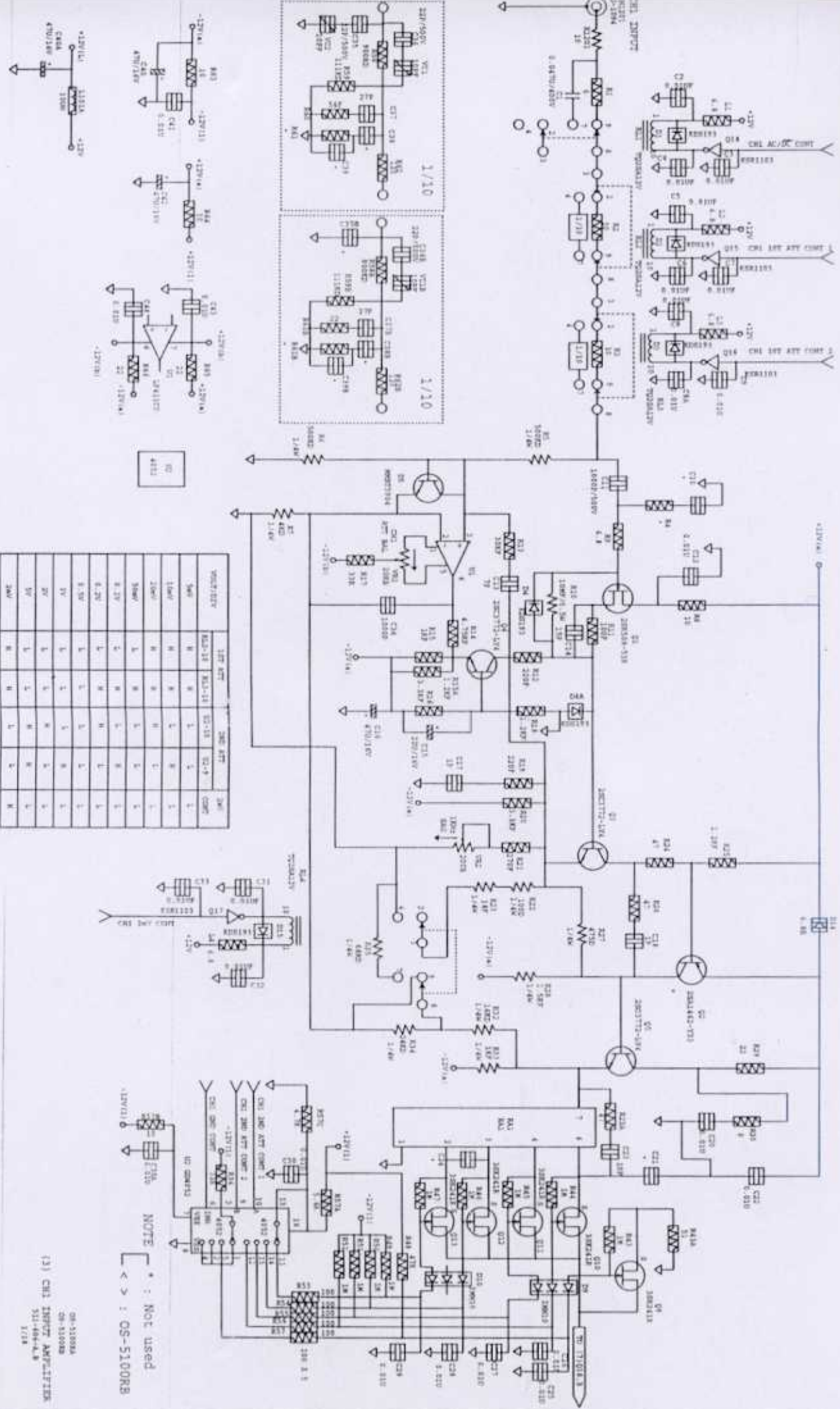
10-15704
 OF-15704
 (14) H.V. GEN. &
 BLANKING OUT AMP
 151-804-A
 1/73



00001-4855

FIG. 10

PART 101 0118-11 CH1 INT. ATT. COMP. 1
 PART 102 0118-11 CH1 INT. ATT. COMP. 2
 PART 103 0118-11 CH1 INT. ATT. COMP. 3
 PART 104 0118-11 CH1 INT. ATT. COMP. 4
 PART 105 0118-11 CH1 INT. ATT. COMP. 5
 PART 106 0118-11 CH1 INT. ATT. COMP. 6
 PART 107 0118-11 CH1 INT. ATT. COMP. 7
 PART 108 0118-11 CH1 INT. ATT. COMP. 8
 PART 109 0118-11 CH1 INT. ATT. COMP. 9
 PART 110 0118-11 CH1 INT. ATT. COMP. 10

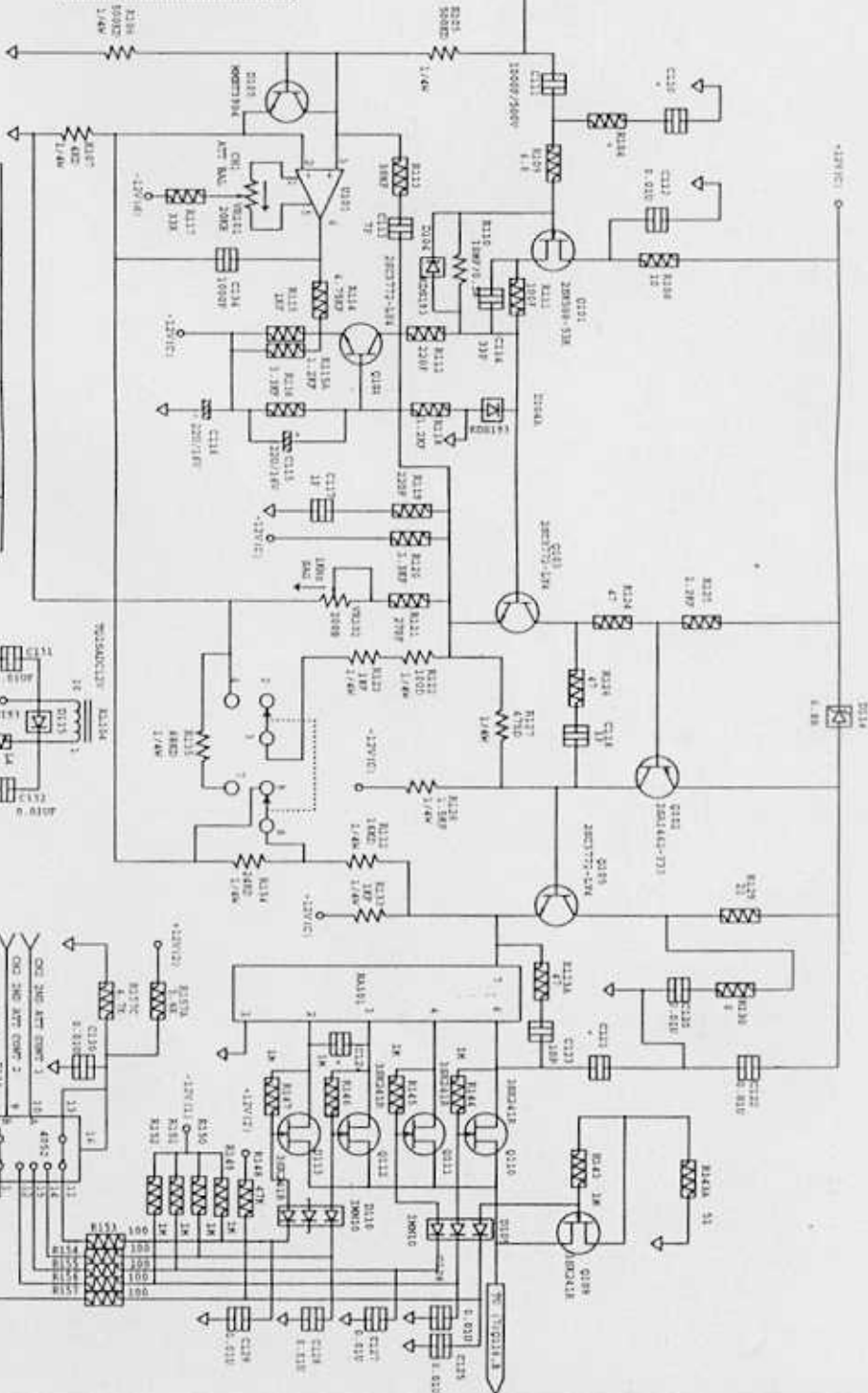
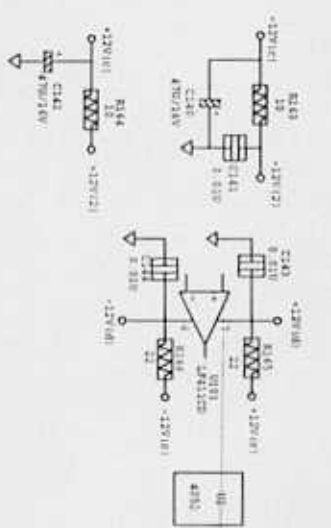
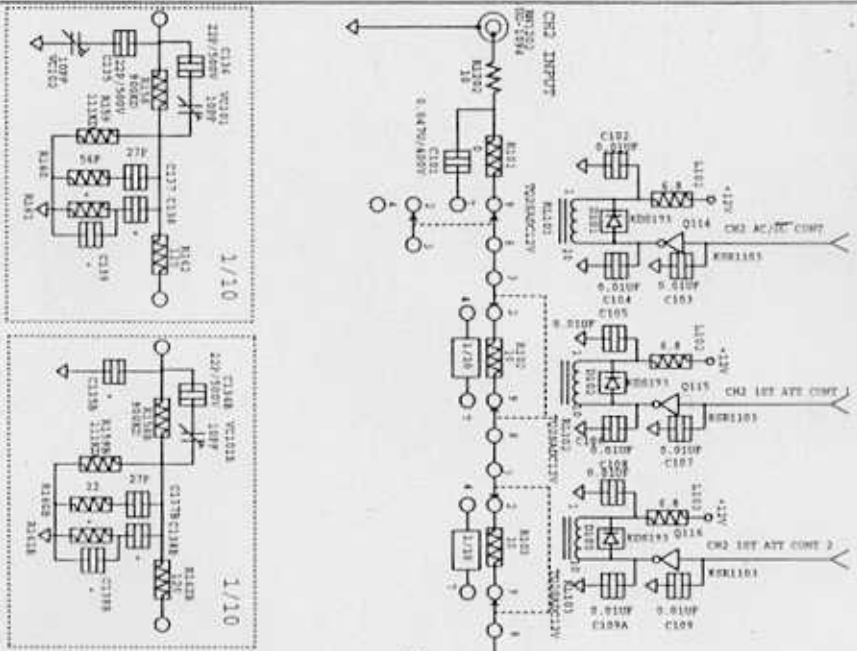


VARIABLE	1ST ATT.		2ND ATT.		COMP.
	REL-12	REL-13	CS-13	CS-9	
500	H	H	H	L	L
1000	H	H	H	H	L
1500	H	H	H	H	L
2000	L	H	H	L	L
3000	L	H	H	L	L
4000	L	H	H	L	L
5000	L	H	H	L	L
6000	L	H	H	L	L
7000	L	H	H	L	L
8000	L	H	H	L	L
9000	L	H	H	L	L
10000	L	H	H	L	L

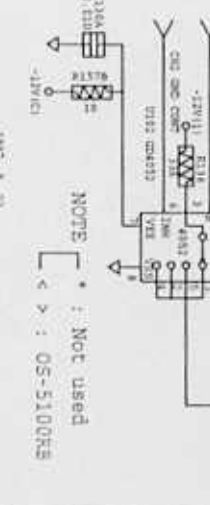
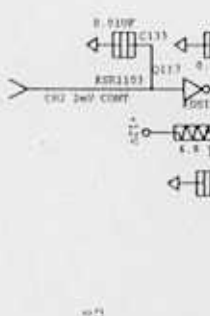
NOTE: * : Not used
 < > : OS-5100RB

OS-5100RA
 OS-5100RB
 (3) CH1 INT. ATT. COMP. 1-10
 511-66-A,B
 1/78

- FROM CRT 101A-11 CH2 INT ATT COMP 1
- FROM CRT 101A-11 CH2 INT ATT COMP 2
- FROM CRT 101A-11 CH2 INT ATT COMP 3
- FROM CRT 101A-11 CH2 AC/DC COMP
- FROM CRT 101A-11 CH2 AC/DC COMP
- FROM CRT 101A-11 CH2 AC/DC COMP
- FROM CRT 101A-11 CH2 INT ATT COMP

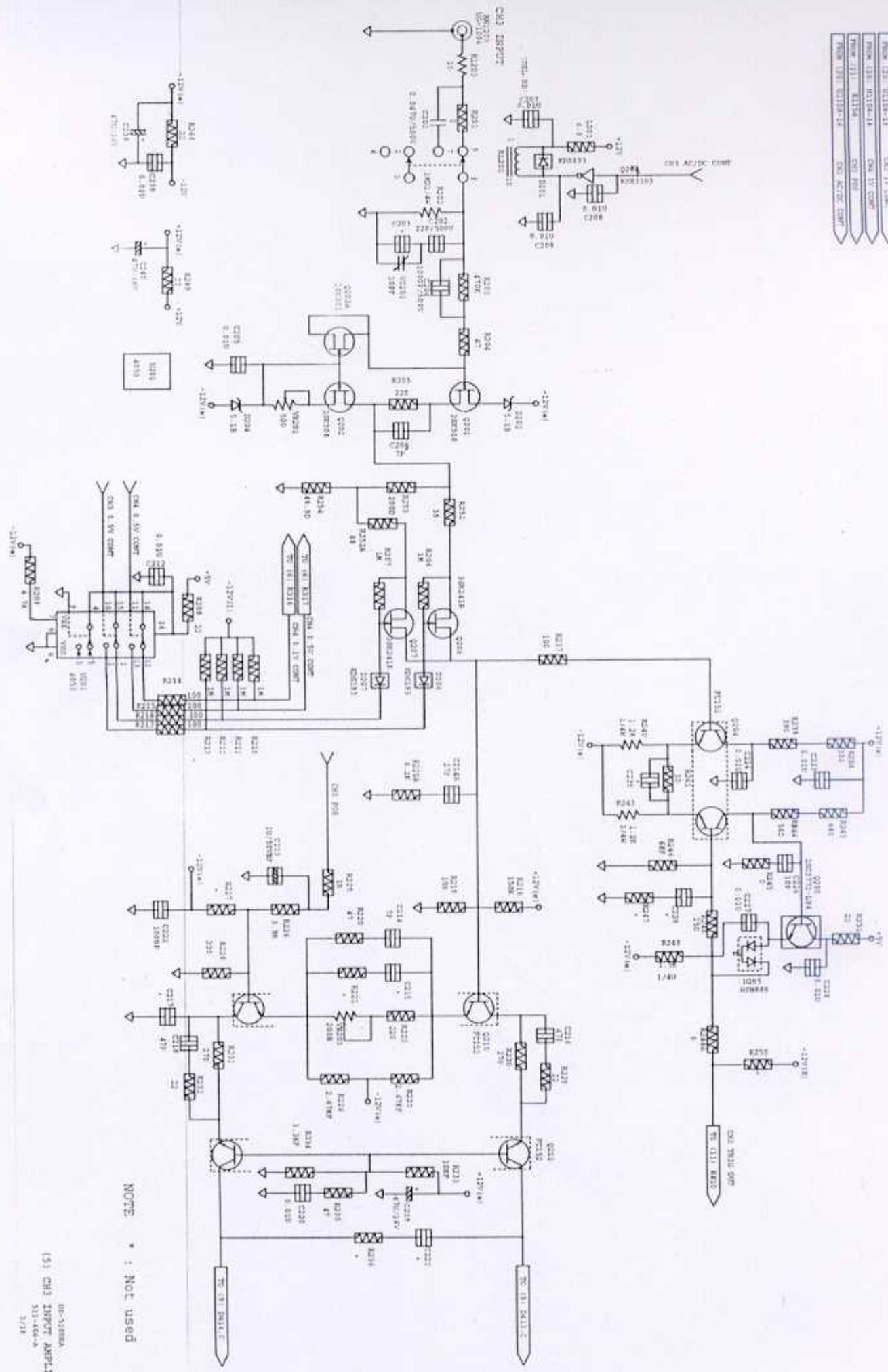


WDR/CRV	1ST ATT	2ND ATT	3RD ATT	4TH
5M	8	1	1	1
10M	8	1	1	1
15M	8	1	1	1
20M	8	1	1	1
25M	8	1	1	1
30M	8	1	1	1
35M	8	1	1	1
40M	8	1	1	1
45M	8	1	1	1
50M	8	1	1	1
55M	8	1	1	1
60M	8	1	1	1
65M	8	1	1	1
70M	8	1	1	1
75M	8	1	1	1
80M	8	1	1	1
85M	8	1	1	1
90M	8	1	1	1
95M	8	1	1	1
100M	8	1	1	1



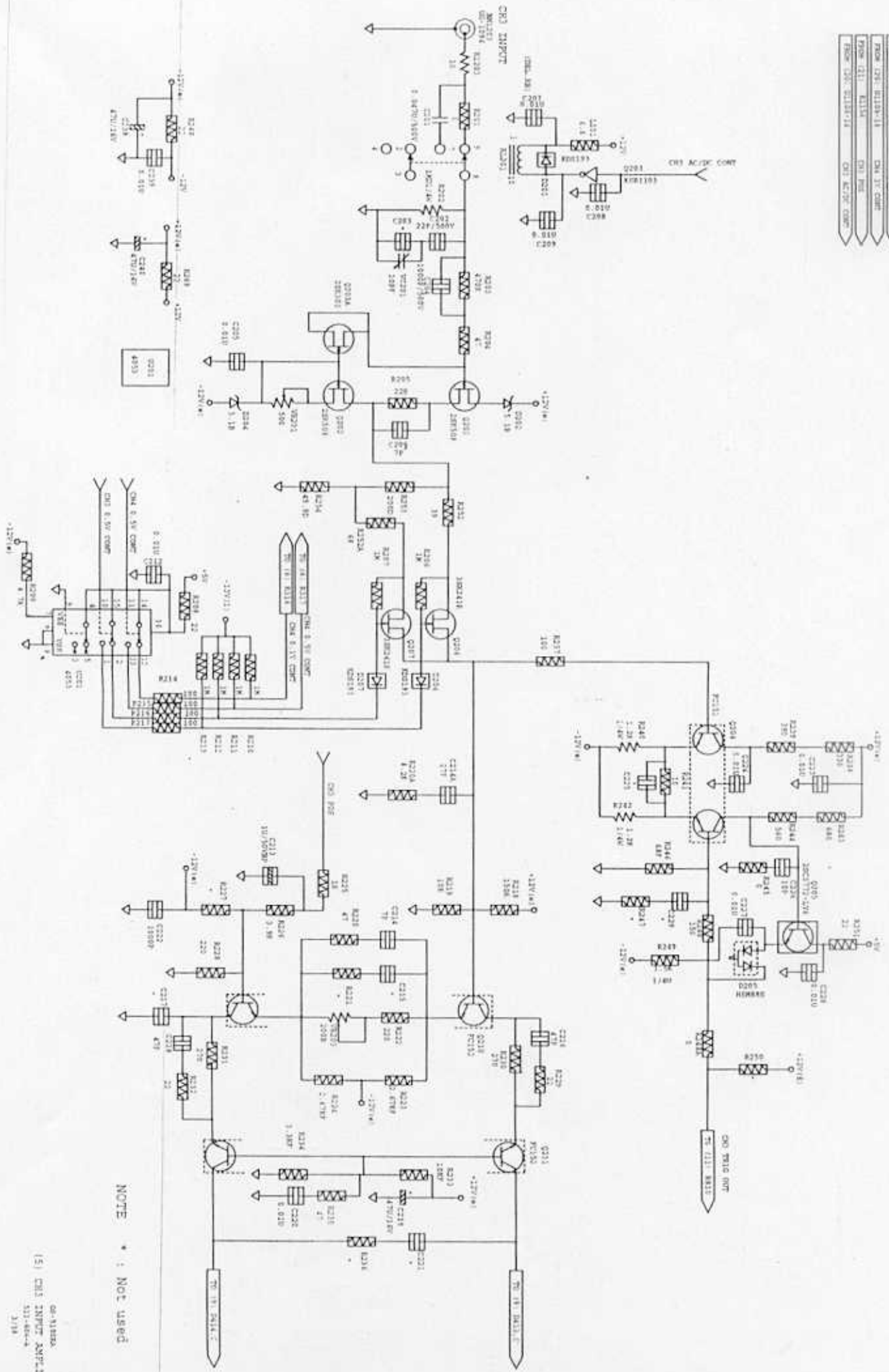
NOTE: * : Not used
 < : > : OS-5100RS

FROM 121 11281-11	CH3 1V COMP
FROM 121 11104-11	CH3 1V COMP
FROM 121 11114	CH3 1V COMP
FROM 121 11115-11	CH3 1V COMP



NOTE * : Not Used

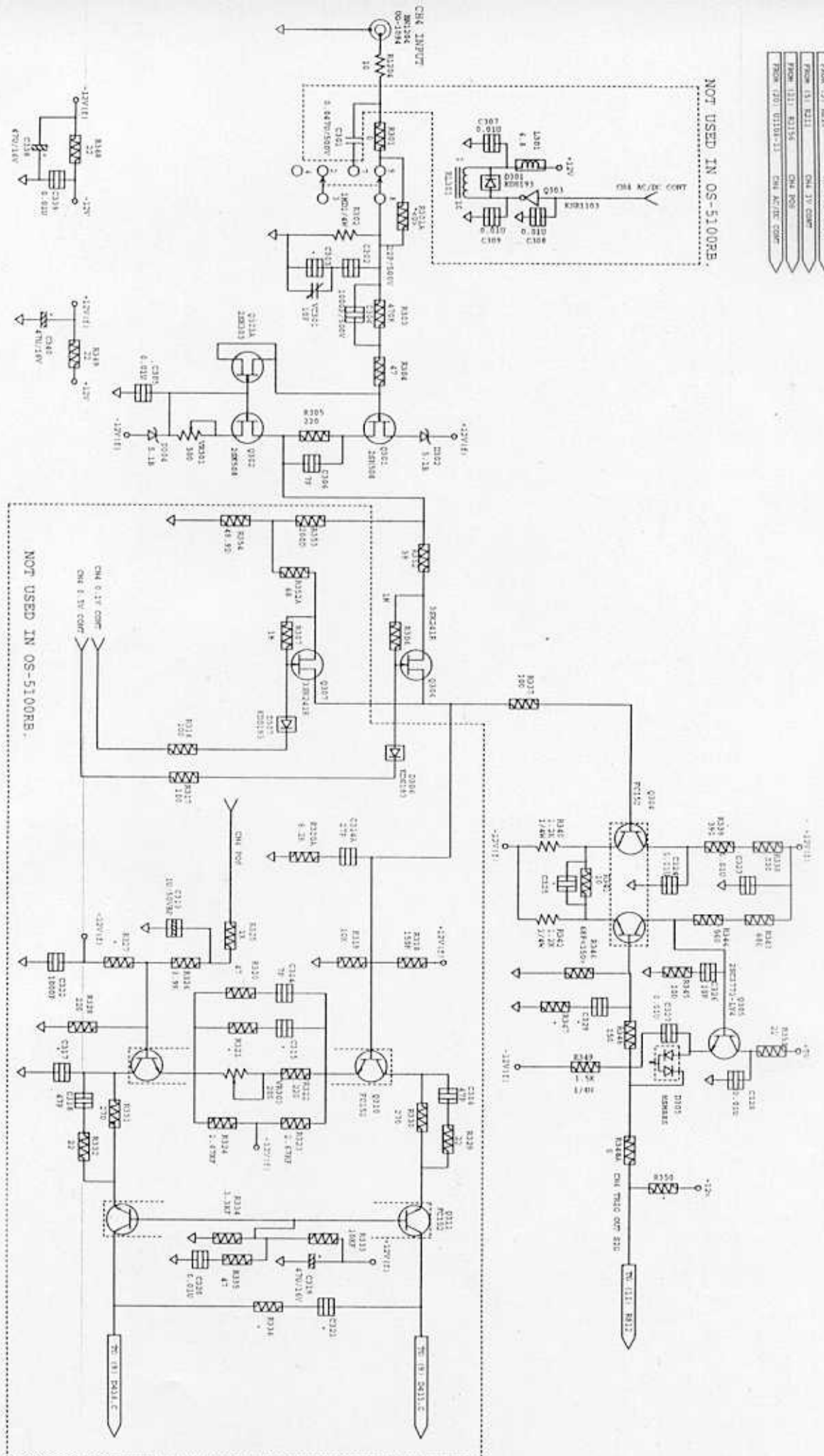
FROM 120-01189-11	CH1 15' COMB
FROM 120-01189-11	CH1 17' COMB
FROM 121-02154	CH1 ENG
FROM 120-01189-11	CH1 AC/DC COMB



NOTE * : NOT USED

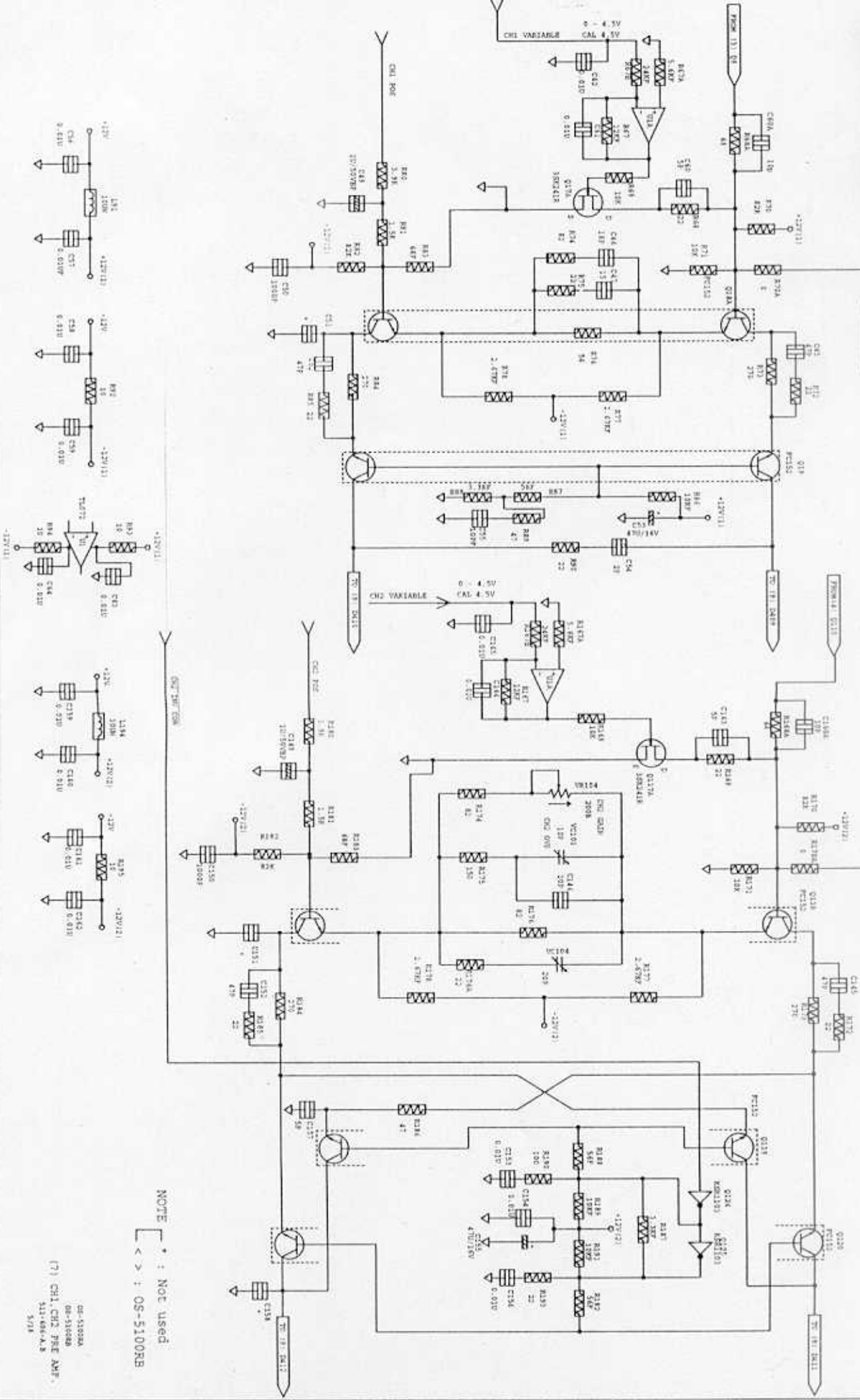
FROM 151	RE113	CH4 0.1V COMP
FROM 151	RE114	CH4 1V COMP
FROM 1211	RE115	CH4 POS
FROM 1201	RE116-117	CH4 ACTIVE COMP

NOT USED IN OS-5100RB.



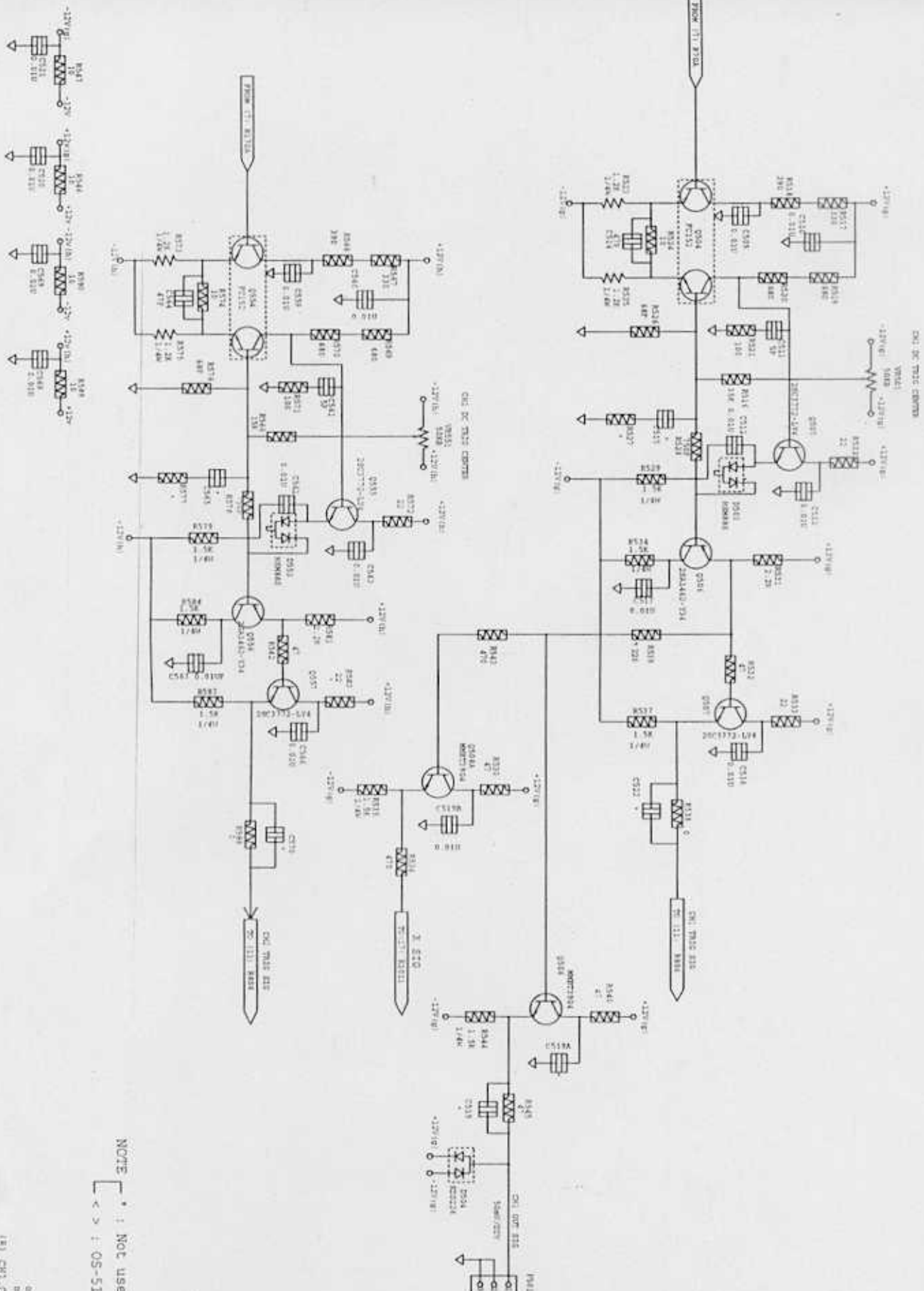
NOTE * : Not used
 <-> : OS-5100RB

FROM 1211 R114A CH1 POS
 FROM 1211 R144B CH1 NEG
 FROM 1201 U118A-12 CH2 POS
 FROM 1211 R144A CH2 VARIABLE
 FROM 1211 R114A CH2 VARIABLE

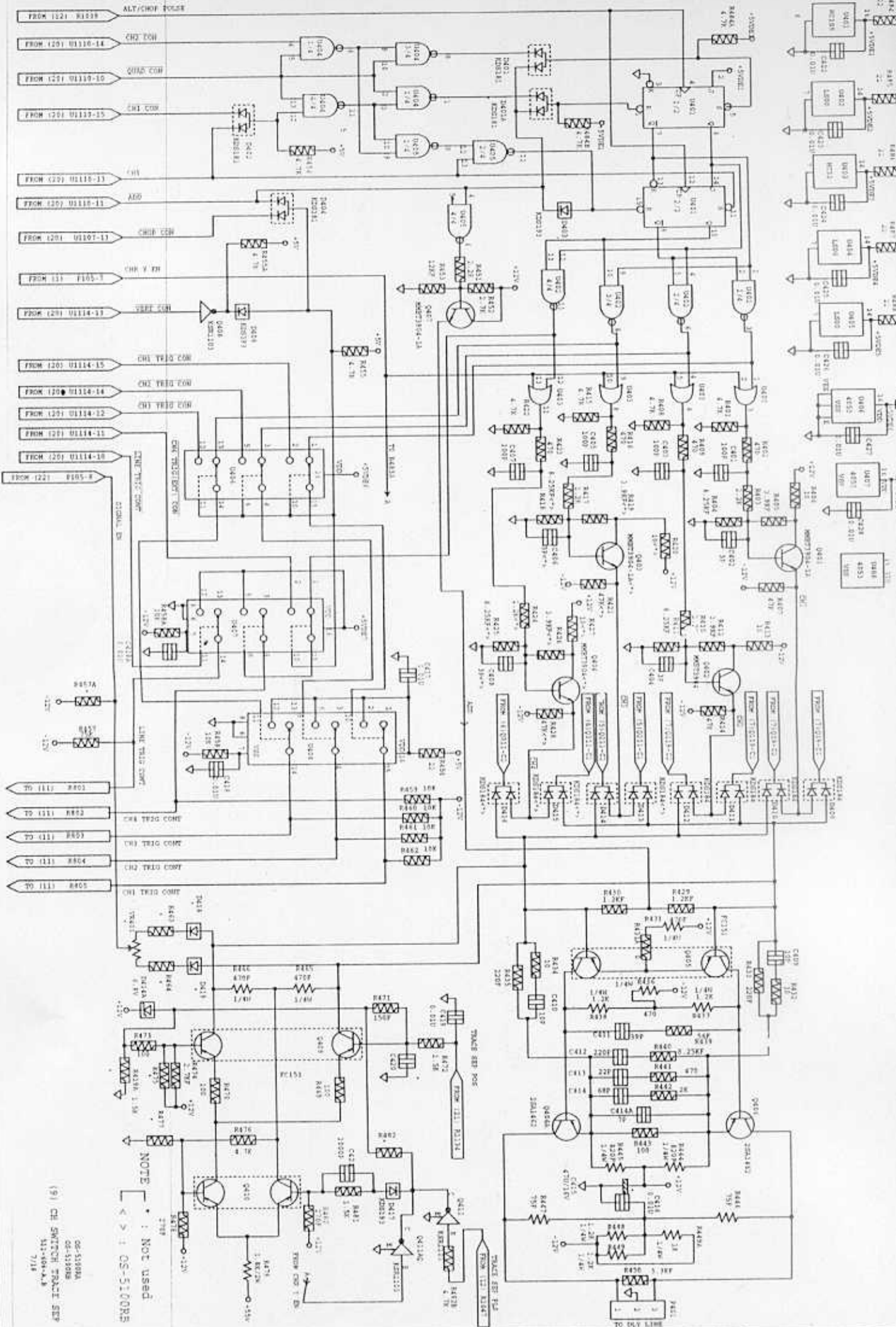


NOTE: * : Not used
 < > : OS-5100RB

DR-5100RA
 DR-5100RB
 (?) CH1, CH2 PRE AMP
 5/78

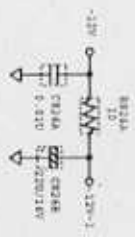
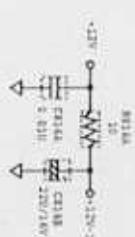
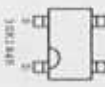
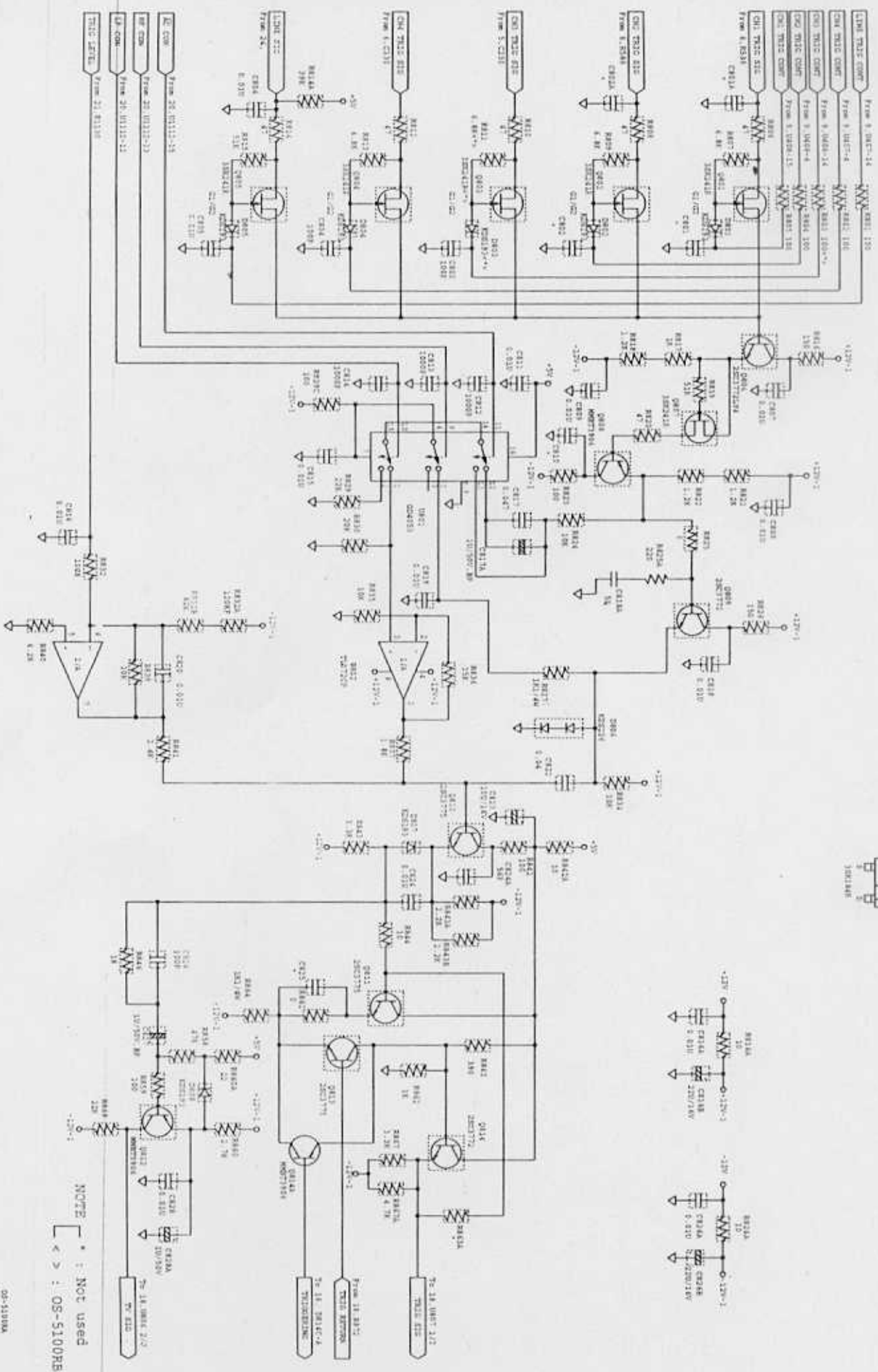


NOTE: * : Not used
 < > : OS-5100RB

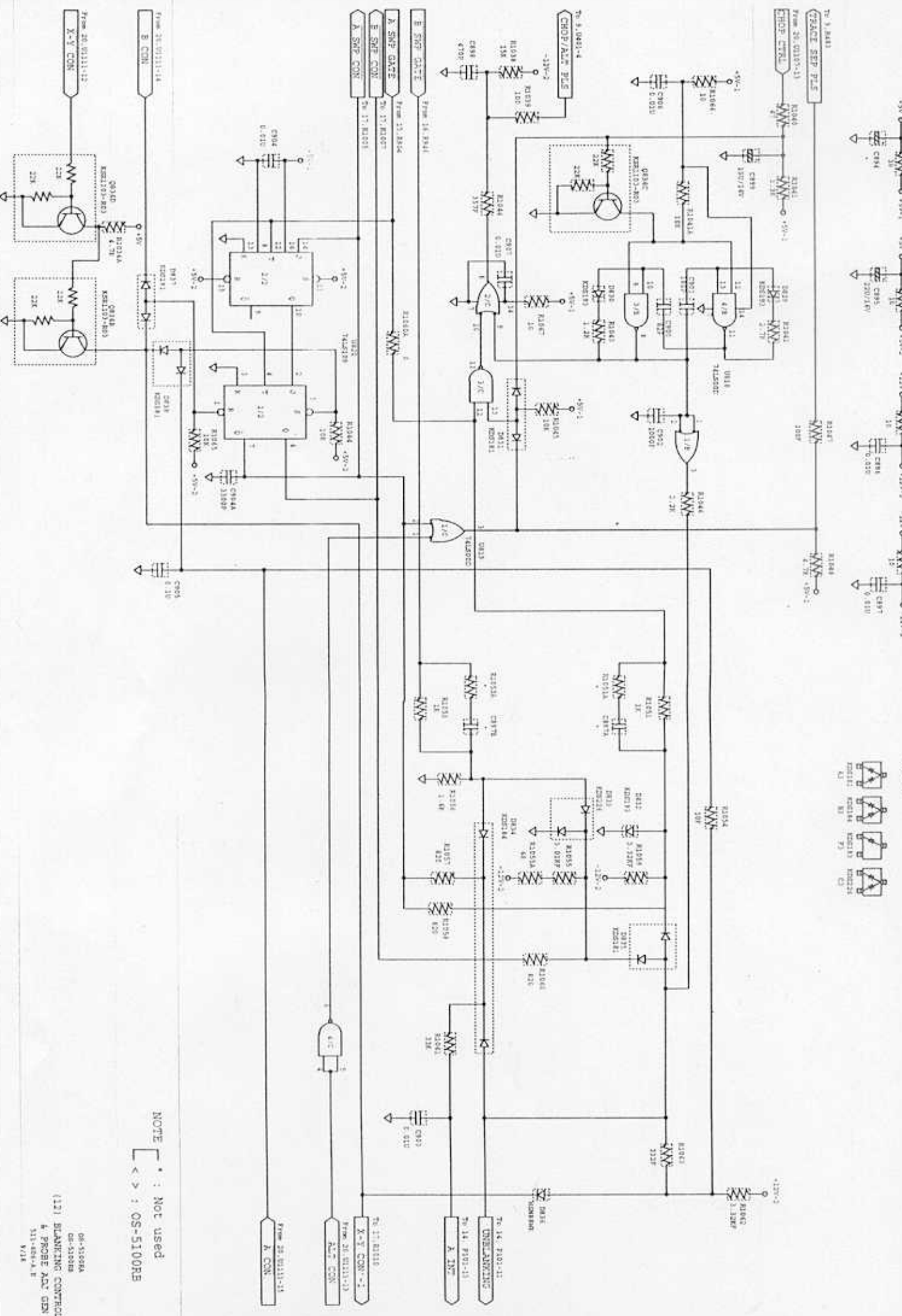


NOTE : Not used

OS-5100A
 OS-5100B
 (9) DE SWITCH TRACE SEV
 512-60-A,B
 7/18

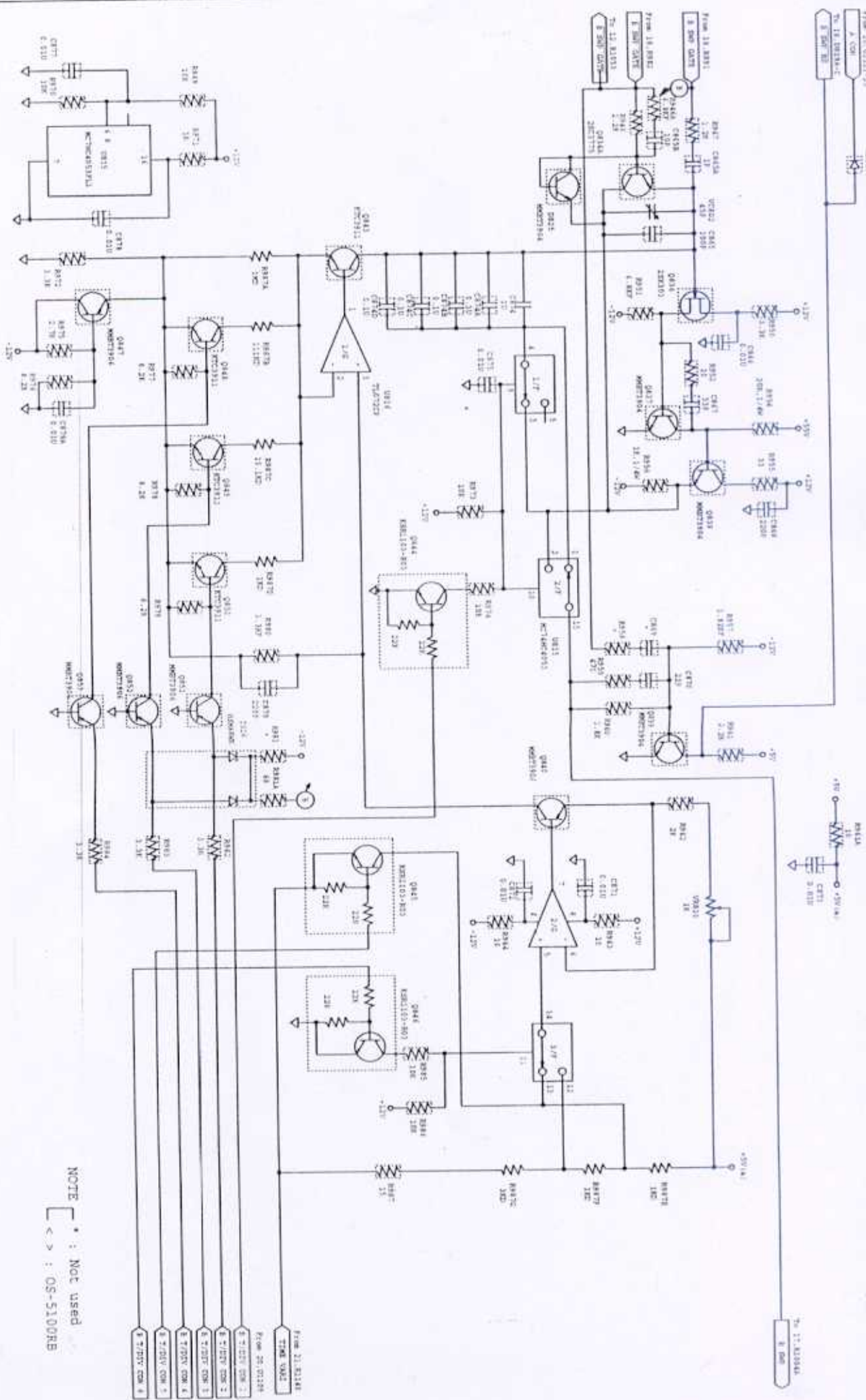


NOTE: * Not used
 < > : OS-5100RS

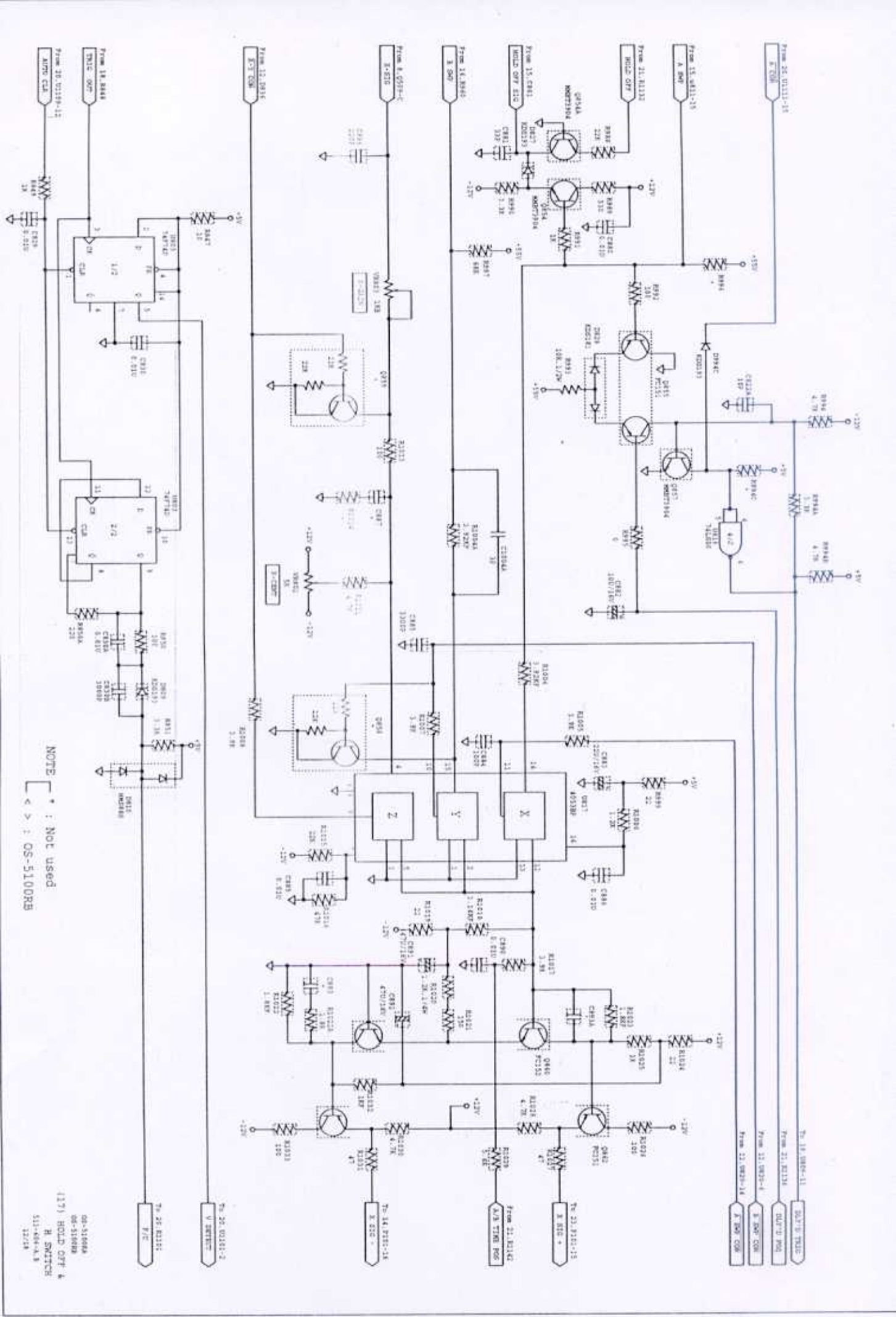


NOTE * : Not used
 < > : OS-5100RE

OS-5100RE
 OS-5100RE
 (12) SWAPPING CONTROL
 A. PROBE ACT. GEN
 511-085-A.2
 V.12



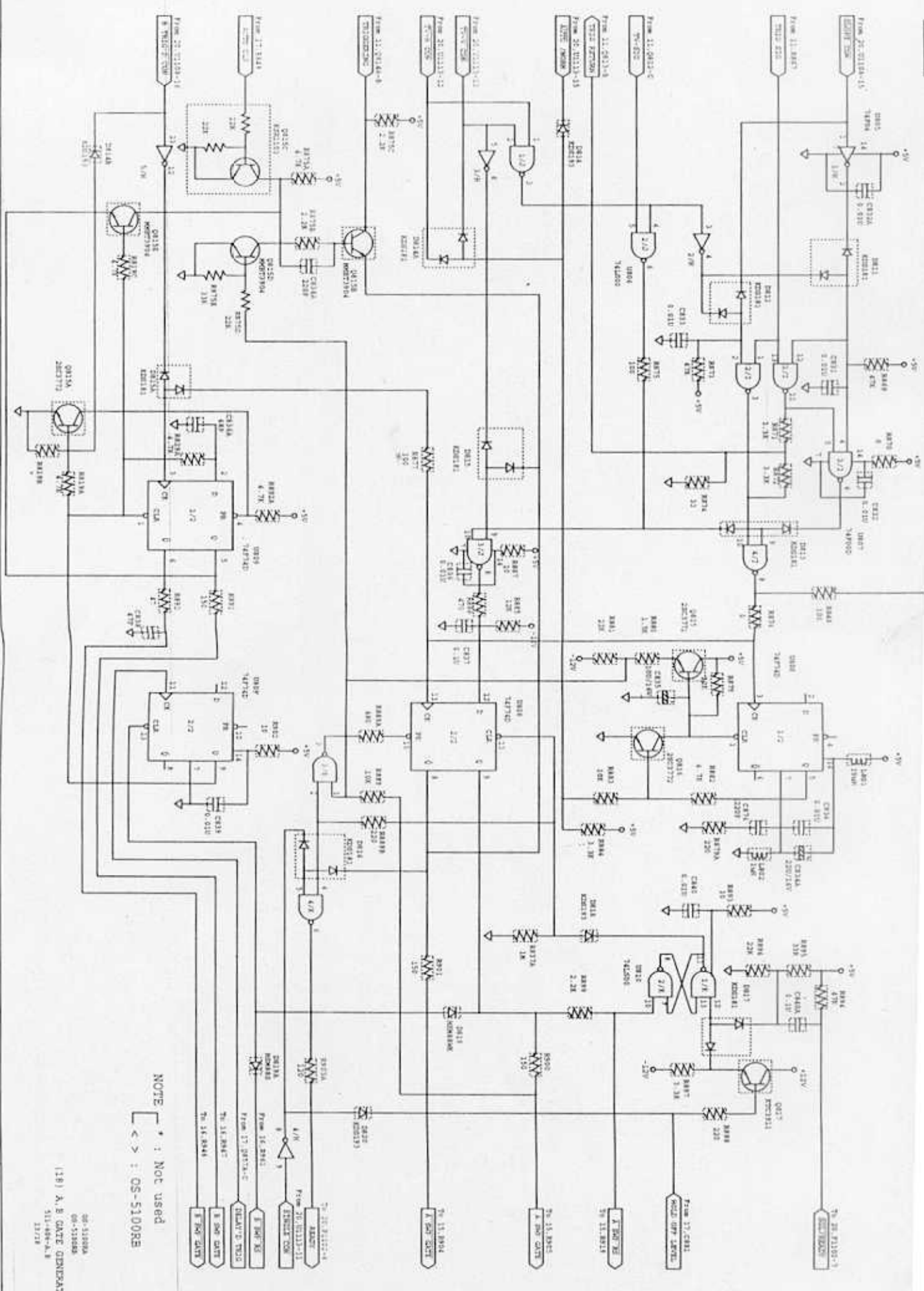
NOTE : * : Not used
 [< >] : OS-5100RB



NOTE * : Not used

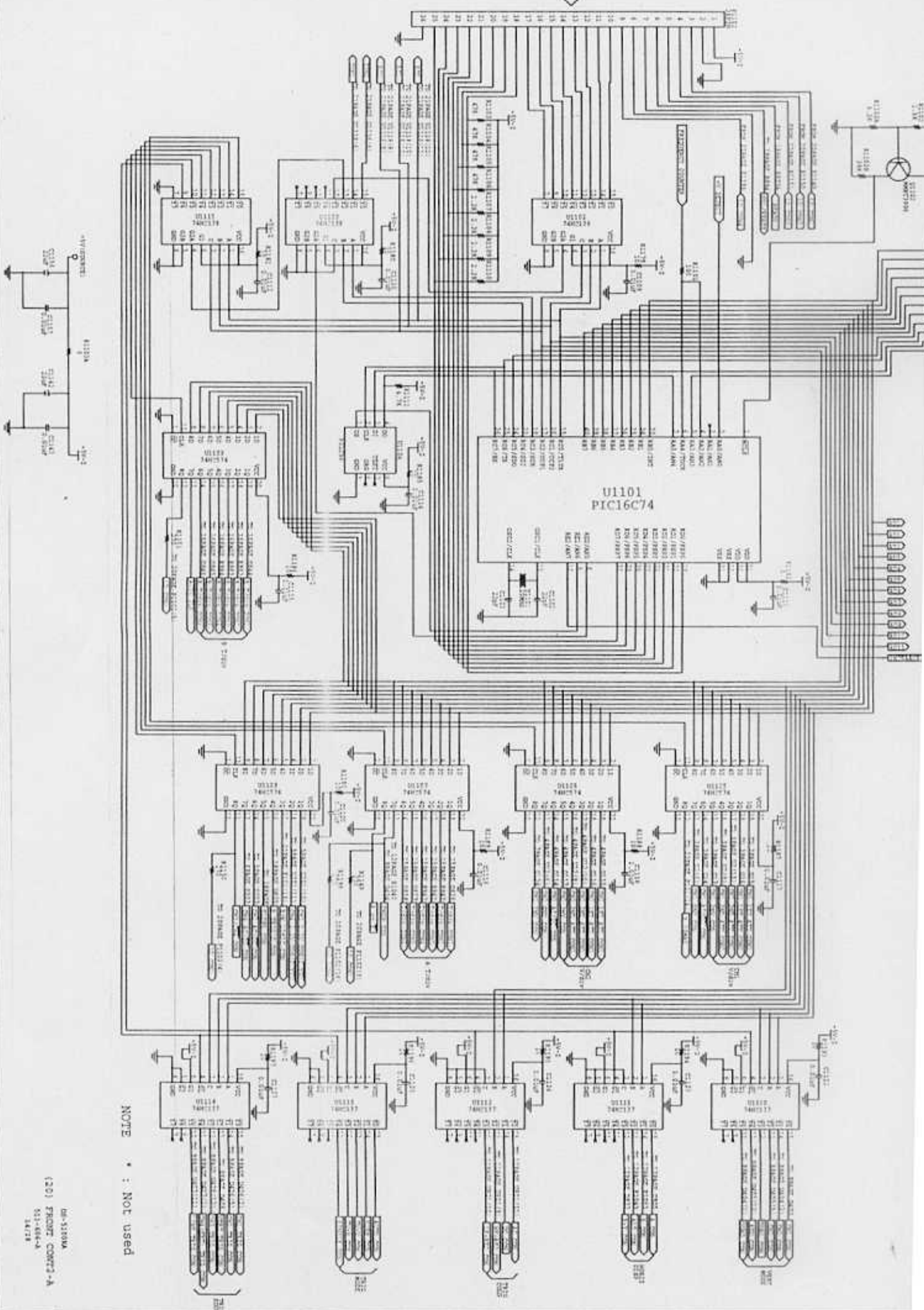
< > : OS-5100RS

OS-5100RS
06-5100RD
(17) HOLD OFF A
H SWITC
511-064-A/B
12/78



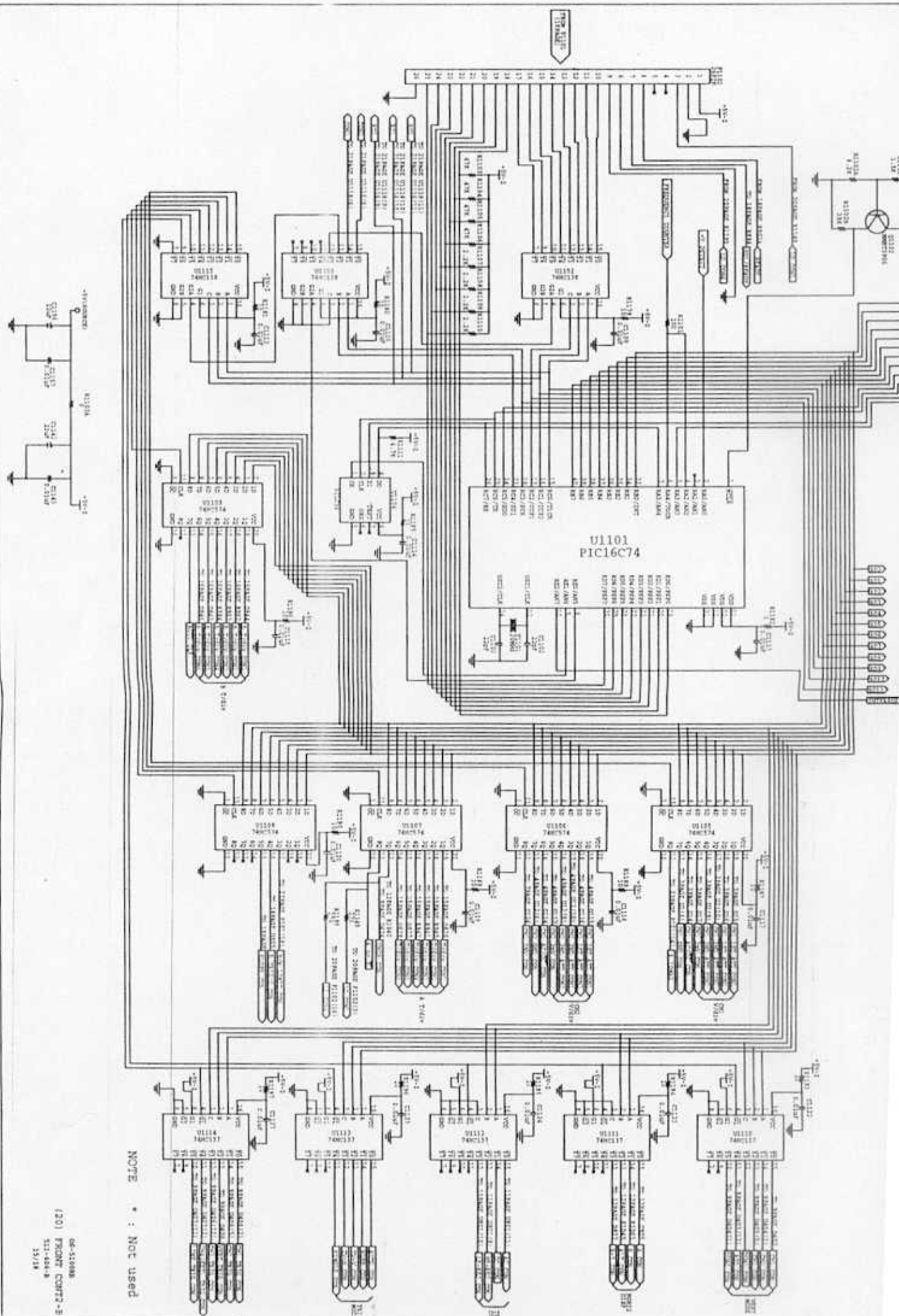
NOTE: * : Not used
 < > : OS-51008B

OS-51008A
 OS-51008B
 (18) A, B GATE GENERATOR
 511-488-A, B
 11/78

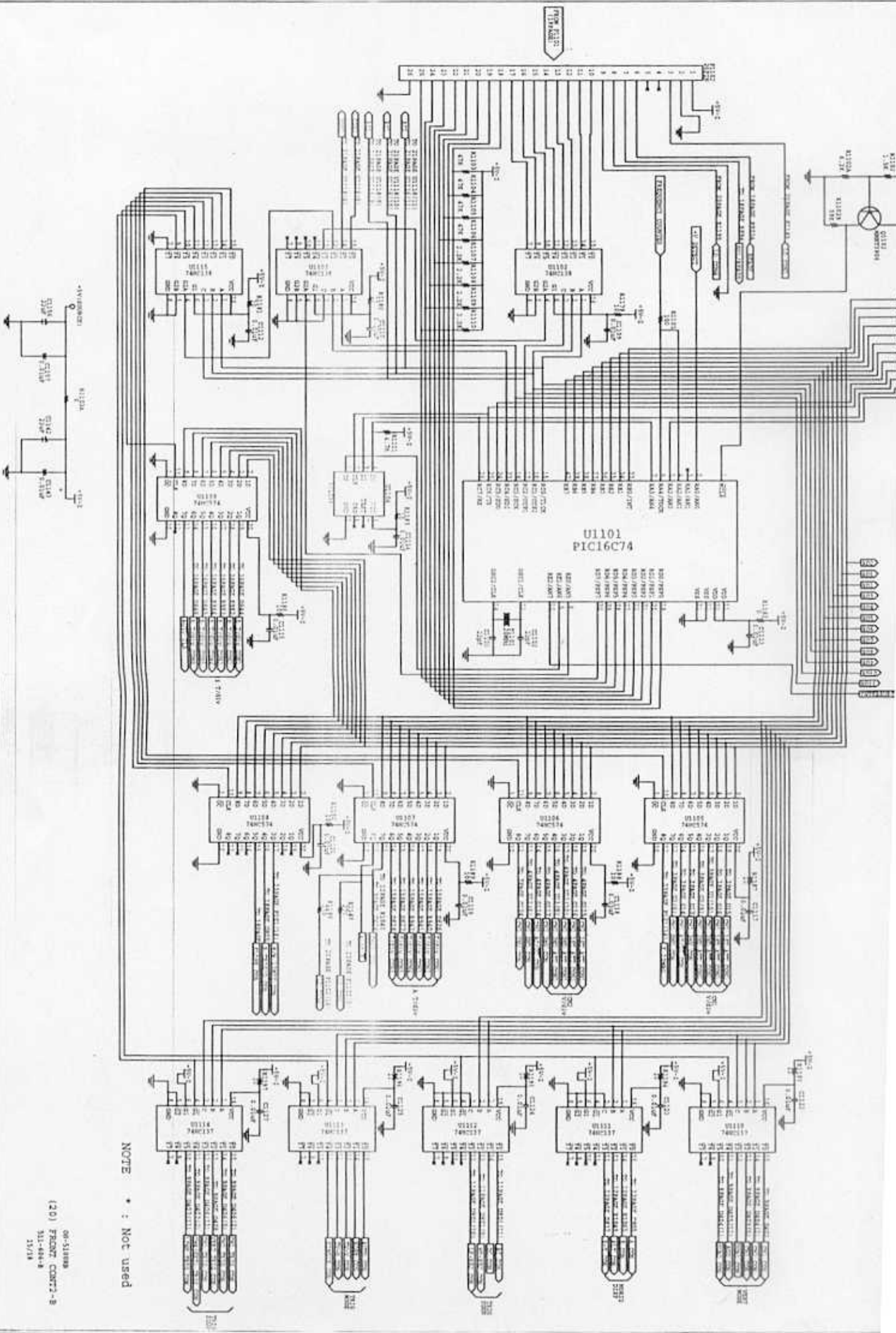


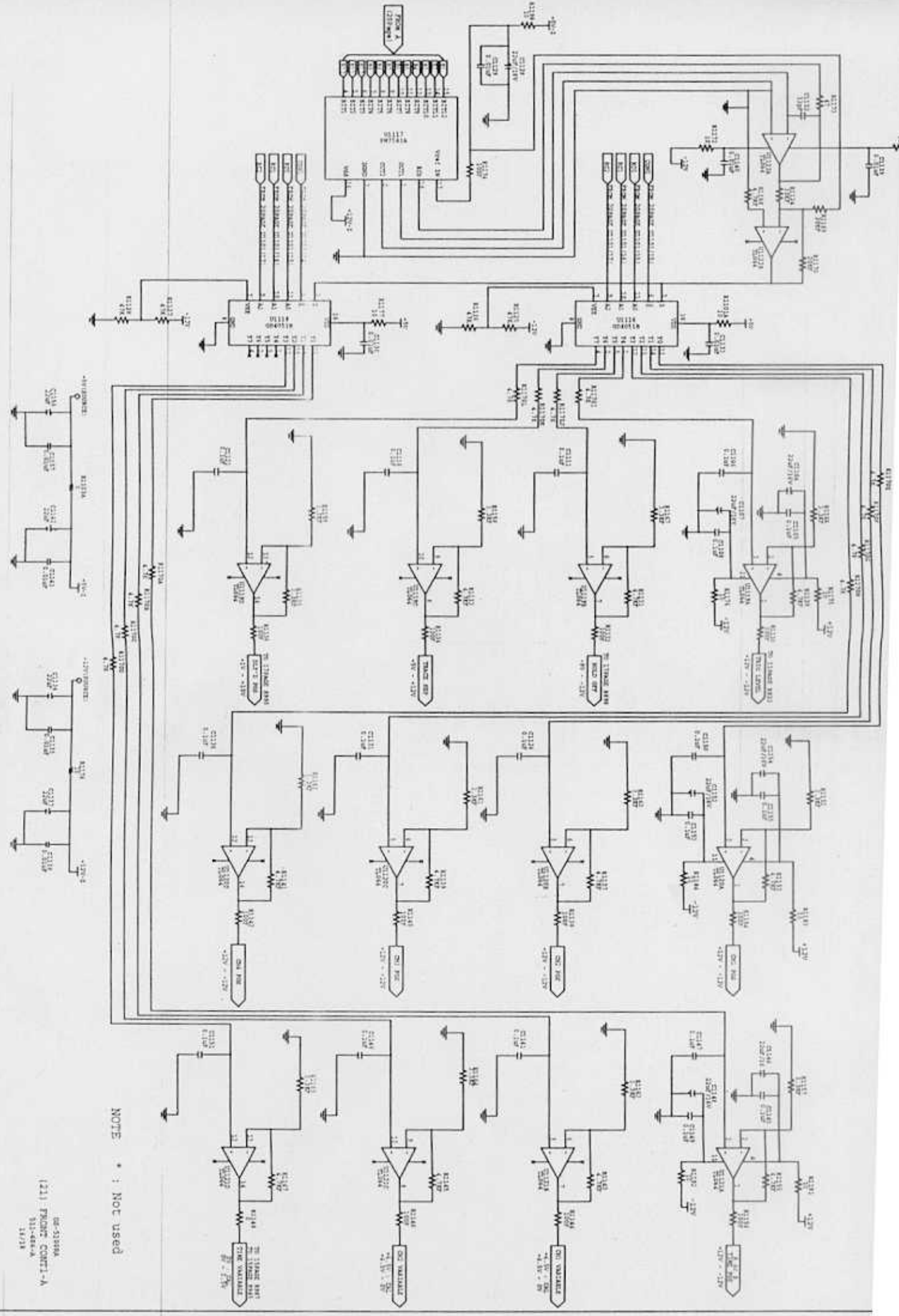
NOTE : : Not used

DM-5388A
 (20) FRONT CONNECT-A
 031-064-A
 1A729

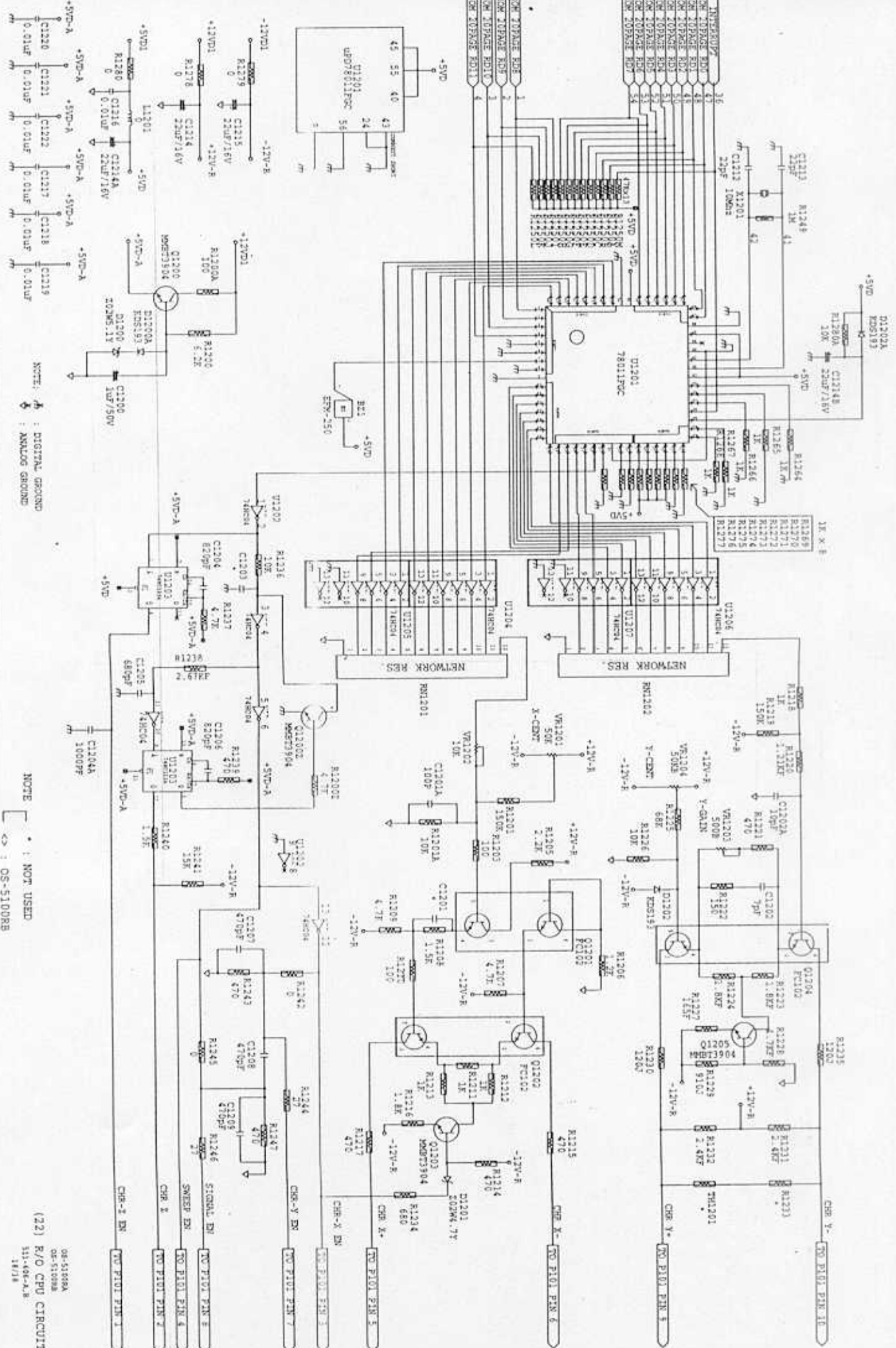


NOTE * : Not used





NOTE * : Not used



NOTE: \square : DIGITAL GROUND
 \square : ANALOG GROUND

NOTE: * : NOT USED
 \leftrightarrow : OS-5100RB

OR-5100RB
 OR-5100RB
 R/O CPU CIRCUIT
 51-000-A-B
 10/78