

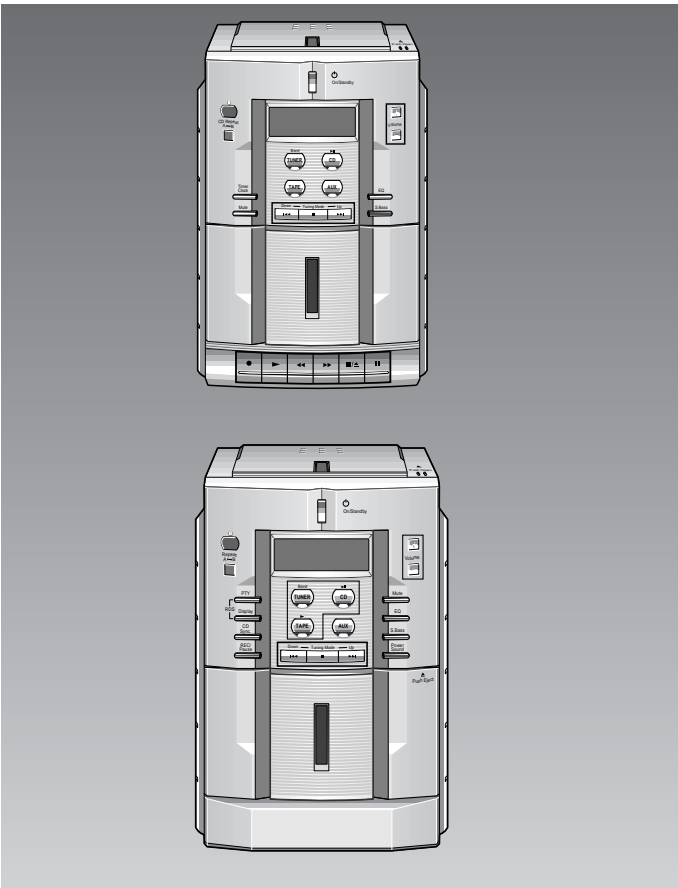


# MICRO COMPONENT SYSTEM

MM-L2 MM-L2G  
MM-L4 MM-L4G

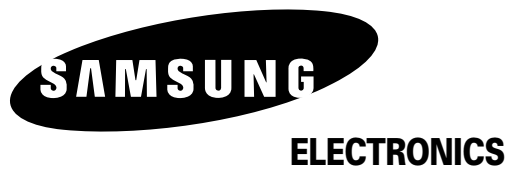
# **SERVICE** Manual

## MICRO COMPONENT SYSTEME



## CONTENTS

1. Alignment and Adjustments
2. Exploded Views and Parts List
3. Electrical Parts List
4. Block Diagrams
5. PCB Diagrams
6. Wiring Diagram
7. Schematic Diagrams



# 1. Alignment and Adjustments

## 1-1 Tuner (Only MM-L4/L4G)

### FM Section

FM IF Adjustment	
SSG FREQ.	98MHZ DEV= 40 KHZ LEVEL=60dB
Adjustment point (TFT2)	FM DETECTOR COIL
DC Digital Meter Output	0.00V
Distortion (0.3%-0.8%) (Figure 1-1)	

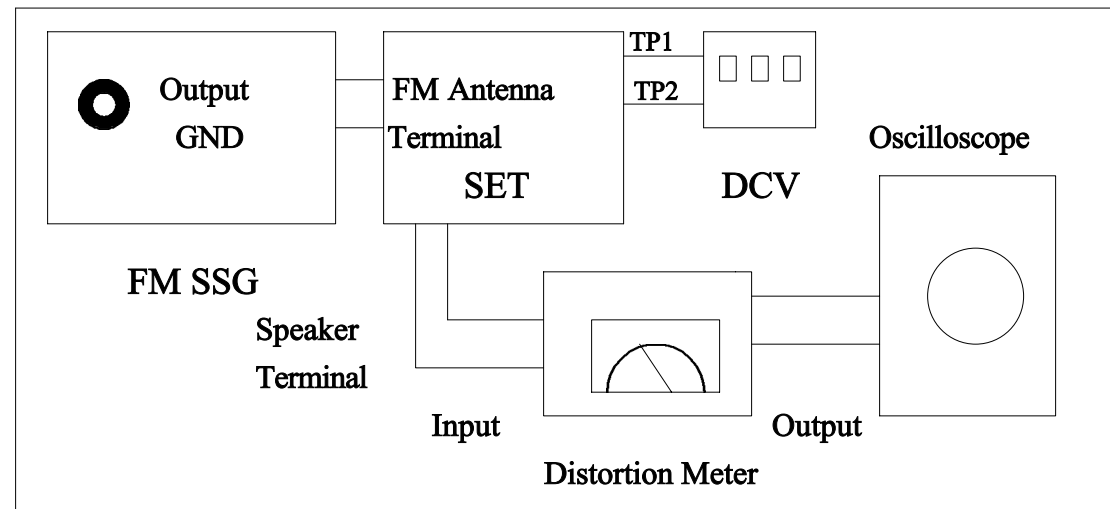


Figure 1-1 IF CENTER and THD Adjustment

### FM Frequency Range And S/N 30dB Usable Sens. Check

5 Point :	87.5MHZ	90MHZ	98MHZ	106MHZ	108MHZ
Usable Sens. Spec. S/N 30 dB : Normal : 10dB Limit : 21dB					

### FM Stereo Separation Check

fc	fs	Main	Pilot	Level	Spec
98.0MHZ	1KHZ	53%	10%	66dB	Normal : 28dB Limit : 25dB

### FM Stereo/Mono Distortion Check

	fc	fs	Dev	Main	Pilot	Level	Spec.
Mono	98MHZ	1KHZ	40 KHZ			66dB	Nor. : 0.5% Lim.: 1.5%
Stereo	98MHZ	1KHZ	75KHZ	53%	10%	66dB	Nor. : 1% Lim. : 5%

### FM Seek Stop Check

	fc	fs	Dev	Level	Spec.
Seek Stop	98MHZ	1KHZ	40 KHZ		23-33dB
Adjustment (Figure1-2)	Adjust TVR1(MIC6 30Pin Voltage1.85V+/- 0.05V), SSG Level 28dB, Seek Stop Check.				

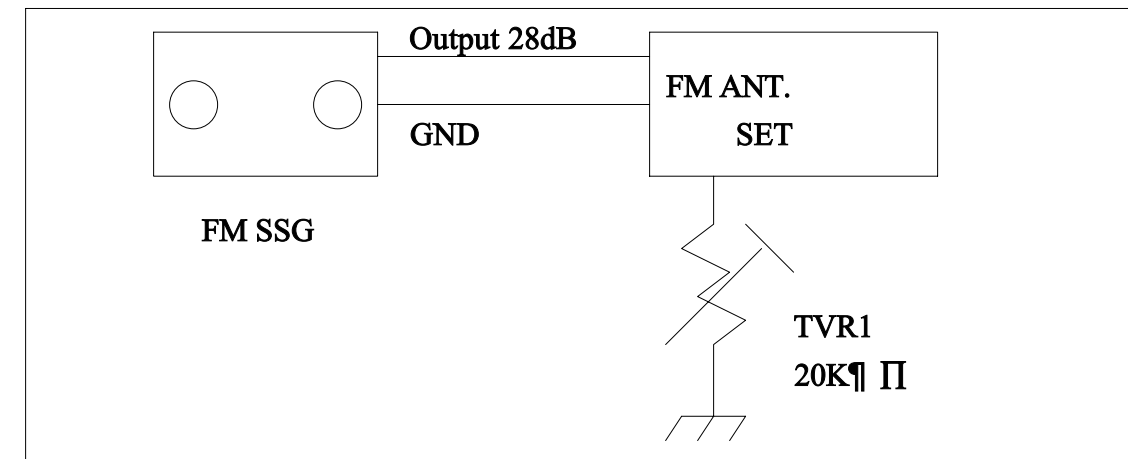


Figure 1-2 FM Auto Search Level Adjustment

### AM (MW) Section

#### AM (MW) IF Adjustment

SSG FREQ.	450KHZ
Frequency	522KHZ
Adjustment Point TFT1	AM IF COIL
Maximum output (Figure 1-3)	

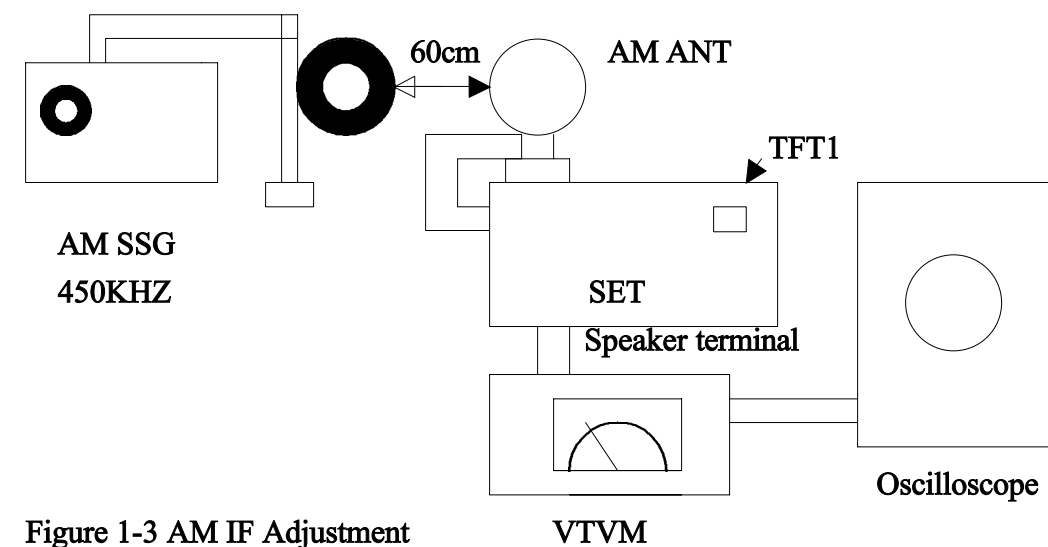


Figure 1-3 AM IF Adjustment

**MW Tuning Voltage (VT) Check**

Spec.	522KHZ : 1.1V+/-0.1V
	1611KHZ : 7.0V+/-0.5V
Adjustment	Low(522KHZ) VT Basic , Adjust TL11(OSC)

**RF Adjustment**

1	Low Frequency(594KHZ), Usable Senc. (S/N 20dB) < 60dB
2	Adjust TL10(MW ANT), Gain Output Max.
3	Check Low Frequency(594KHZ), High Frequency(1404KHZ) < 60dB.

**Seek Stop Check**

fc	fs	Dev	Level	Spec.
999KHZ	400KHZ	30%		40-70dB

**LW Section (OPTION)**

**Tuning Voltage (VT) Check**

Spec.	144KHZ : 2V +/- 0.2V
	290KHZ : 7.0V+/-0.5V
Adjustment	Low (144KHZ) VT Basic , Adjust TL6(OSC)

**RF Adjustment**

1	Low Frequency (170KHZ), Usable Senc. (S/N 20dB) < 68dB
2	Adjust TL9 ( LW ANT), Gain Output Max.
3	Check Low Frequency (170KHZ), High Frequency(270KHZ) < 68dB.

**Seek Stop Check**

fc	fs	Dev	Level	Spec.
212KHZ	400KHZ	30%		40-70dB

**SW SECTION (OPTION)**

**SW1 Tuning Voltage (VT) Check**

Spec.	2.3MHZ:0.8V+/-0.2
	7.3MHZ: 7.0V+/-0.5
Adjustment	Low(2.3MHZ) VT Basic , Adjust TL4 (OSC)

**RF Adjustment**

1	Low Frequency(3.5MHZ), Usable Senc.(S/N 20dB)<38dB
2	Adjust TL8 (SW ANT), Gain Output Max.
3	Check Low Frequency(3.5MHZ), High Frequency(7.0MHZ) <38dB

**Seek Stop Check**

Fc	Fs	Dev	Level	Spec.
5MHZ	400KHZ	30%		30+/-15

**SW2 Tuning Voltage (VT) Check**

Spec.	9.5MHZ: 1.2V+/-0.1
	26.1MHZ: 8.20V+/-0.5
Adjustment	Low(10MHZ) VT Basic , Adjust TL3 (OSC)

**RF Adjustment**

1	Low Frequency(10MHZ), Usable Senc.(S/N 20dB)<38dB
2	Adjust TL5 (SW ANT), Gain Output Max.
3	Check Low Frequency(10MHZ), High Frequency(23MHZ) <38dB

**Seek Stop Check**

Fc	Fs	Dev	Level	Spec.
16MHZ	400KHZ	30%		30+/-15

### 1-2 Cassette Deck (Only MM-L4/L4G)

#### Adjust Tape Speed

Item	Tape	Pre-setup	Adjust point	Standard	Figure
Speed control	MTT-111N (3KHZ)	Press play button after putting tape into the Deck	FRONT PCB VWR1	2970KHZ-3030KHZ WOW&FLUTTER 0.2%-0.4%	1-4

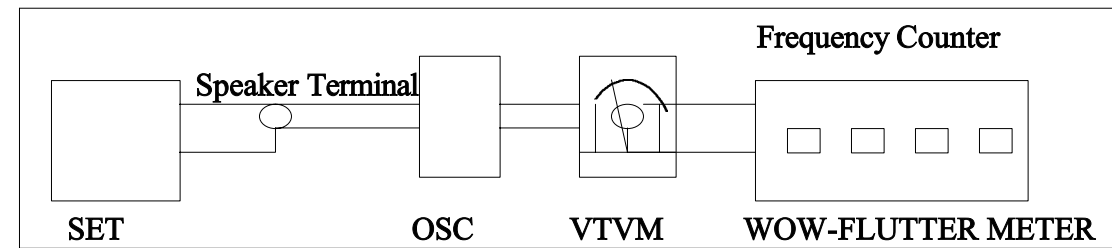


Figure 1-4

#### Adjust Record Frequency

Item	Tape	Pre-setup	Adjust point	Frequency range	Figure
Record Frequency	MTT-5513	Press Rec. button after connecting	JT1	85KHZ+/-1KHZ	Figure(1-5)

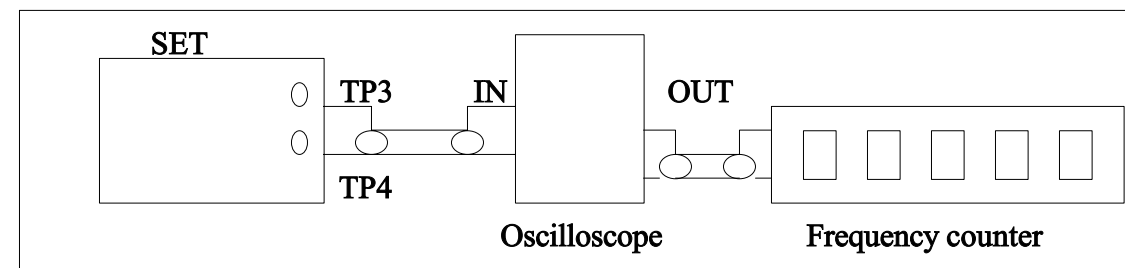


Figure 1-5

#### Adjust Azimuth

Item	Tape	Pre-Setup	Adjust Point	Standard	Figure
Azimuth	MTT-111CN	Press Play Button after putting tape into the Deck	Adjustment screw of HEAD	8KHZ	Fig. 1-4 Fig 1-6

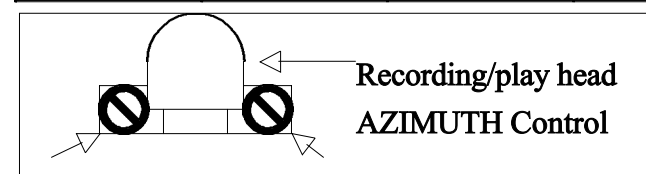


Figure 1-6

### 1-3 Tuner (Only MM-L2/L2G)

#### FM Section

FM IF Adjustment	
SSG FREQ.	10.7MHZ DEV=40.0KHZ LEVEL=60dB
Adjustment point (T101)	FM DETECTOR COIL
Remark	Maximum output (Figure 1-1)
Freq. Setting	Tune to the lowest

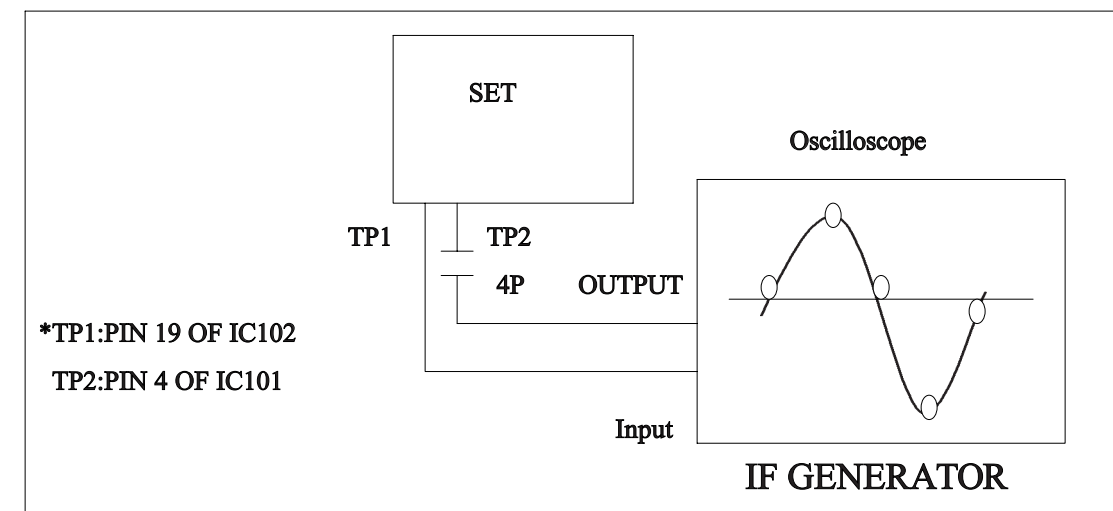


Figure 1-1 IF CENTER Adjustment

#### FM Frequency Coverage Adjustment

SSG.FREQ.	FREQ.SETTING	ADJUST.POINT	REMARK
87.5MHZ	TUNE TO THE LOWEST	L101	0.9V
108MHZ	TUNE TO THE HIGHEST	CHECK	6V

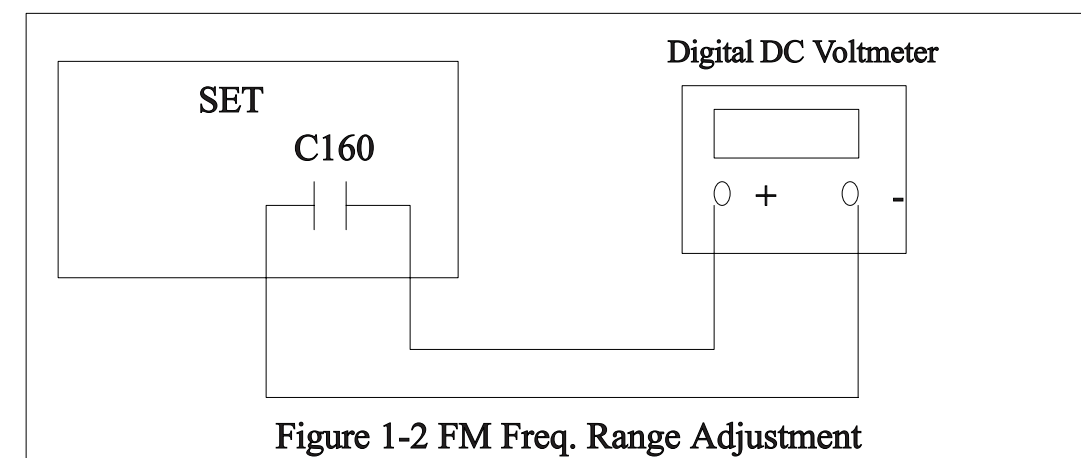


Figure 1-2 FM Freq. Range Adjustment

### FM Sensitivity Adjustment

SSG.FREQ.	FREQ.SETTING	ADJUST.POINT	REMARK
90MHZ	90MHZ	L102	MAX. OUTPUT
106MHZ	98MHZ	C161	MAX. OUTPUT

### FM Stereo Separation Check

fc	fs	Main	Pilot	Level	Spec
98.0MHZ	1KHZ	53%	10%	66dB	Normal : 25dB Limit : 20dB

### FM Seek Stop Check

	fc	fs	Dev	Level	Spec.
Seek Stop	98MHZ	1KHZ	40KHZ		23-30dB

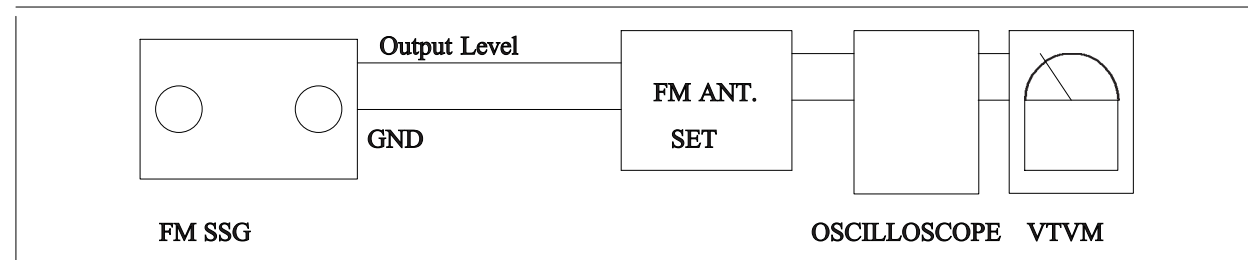


Figure 1-3 FM Stereo Separation AND Seek Stop Check

### AM (MW) Section

#### AM (MW) IF Adjustment

IF GENERATOR	450KHZ
Frequency	999KHZ
Adjustment Point T102	AM IF COIL
Maximum output (Figure 1-4)	

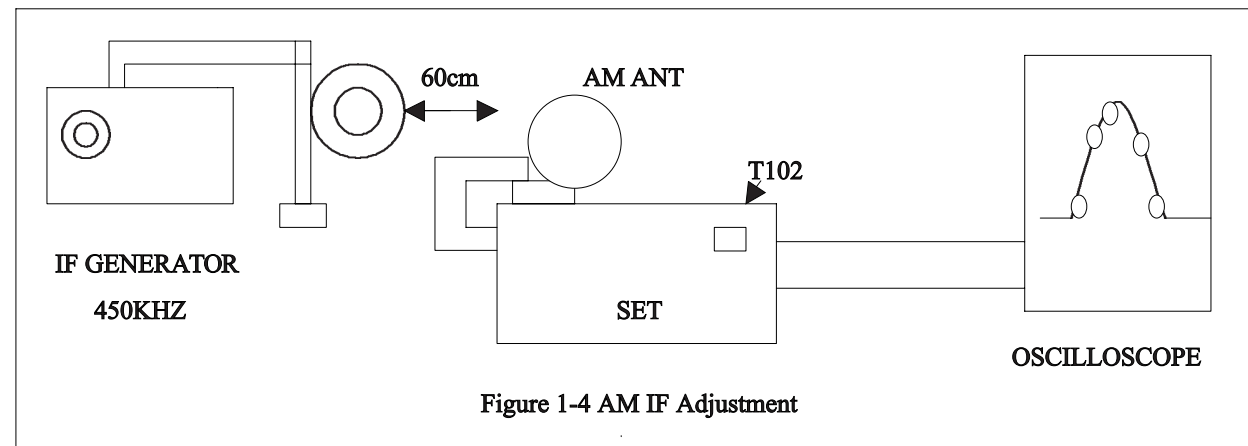


Figure 1-4 AM IF Adjustment

### MW Tuning Voltage (VT) Check

Spec.	522KHZ : 0.9V+/-0.1V
	1611KHZ : 7.25V+/-0.5V
Adjustment	Low(522KHZ) VT Basic , Adjust T105(OSC)

### RF Adjustment(Figure

1	Low Frequency(594KHZ), High Frequency(1404KHZ),Usable Senc. (S/N 20dB) < 60dB
2	Adjust T104(MW ANT), Gain Output Max.
3	Adjust C162 Gain Output Max.

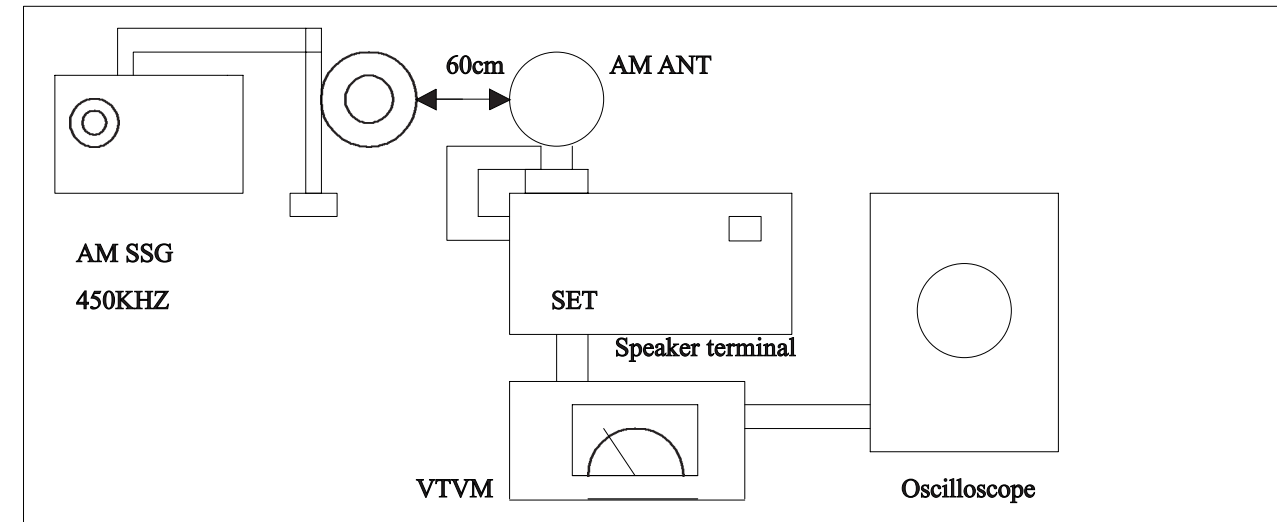


Figure 1-5 MW RF. Adjustment

### Seek Stop Check

fc	fs	Dev	Level	Spec.
999KHZ	400 HZ	30%		40-70dB

### AM (LW) Section

#### Tuning Voltage (VT) Check

Spec.	144KHZ : 1.0V +/- 0.2V
	290KHZ : 6.0V+/-0.5V
Adjustment	Low (144KHZ) VT Basic , Adjust T106(OSC)

### RF Adjustment

1	Low Frequency (170KHZ), High Frequency(270KHZ),Usable Senc. (S/N 20dB) < 68dB
2	Adjust T103 (LW ANT), Gain Output Max.
3	Adjust C183 (LW ANT), Gain Output Max.

### Seek Stop Check

fc	fs	Dev	Level	Spec.
212KHZ	400KHZ	30%		40-70dB

### 1- 4 Cassette Deck (Only MM-L2/L2G)

#### Tape Speed Check

Item	Tape	Pre-setup	Adjust point	Standard	Figure
Speed control	MTT-111N (3KHZ)	Press play button after putting tape into the Deck		2970KHZ-3030KHZ  WOW&FLUTTER 0.2%-0.4%	1-6

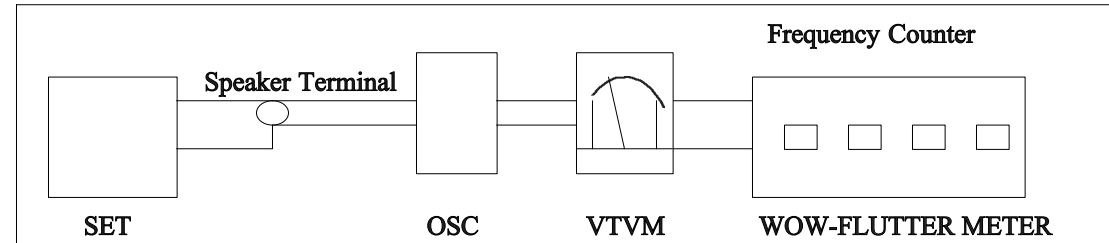


Figure 1-6

#### Adjust Record Frequency

Item	Tape	Pre-setup	Adjust point	Frequency range	Figure
Record Frequency	MTT-5513	Press Rec. button after connecting	T431	60KHZ+/-1KHZ	Figure(1-7)

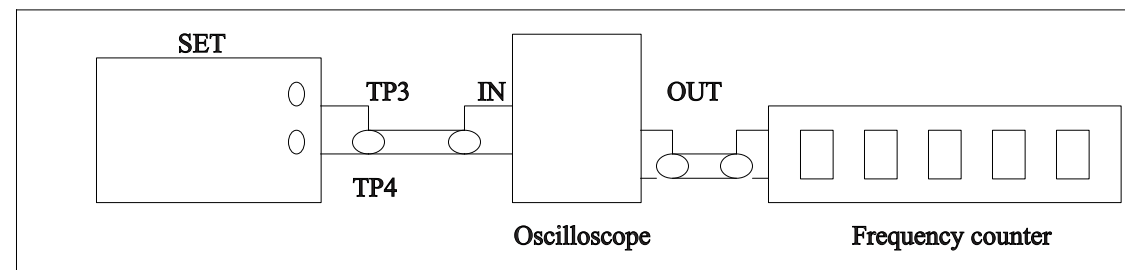


Figure 1-7

#### Adjust Azimuth

Item	Tape	Pre-Setup	Adjust Point	Standard	Figure
Azimuth	MTT-111CN	Press Play Button after putting tape into the Deck	Adjustment screw of HEAD	8KHZ	Fig. 1-6 Fig 1-8

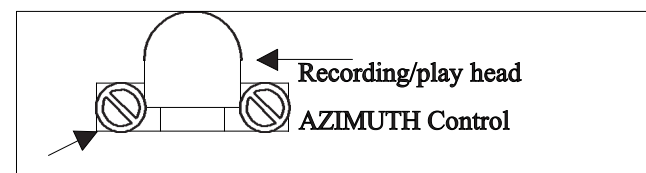
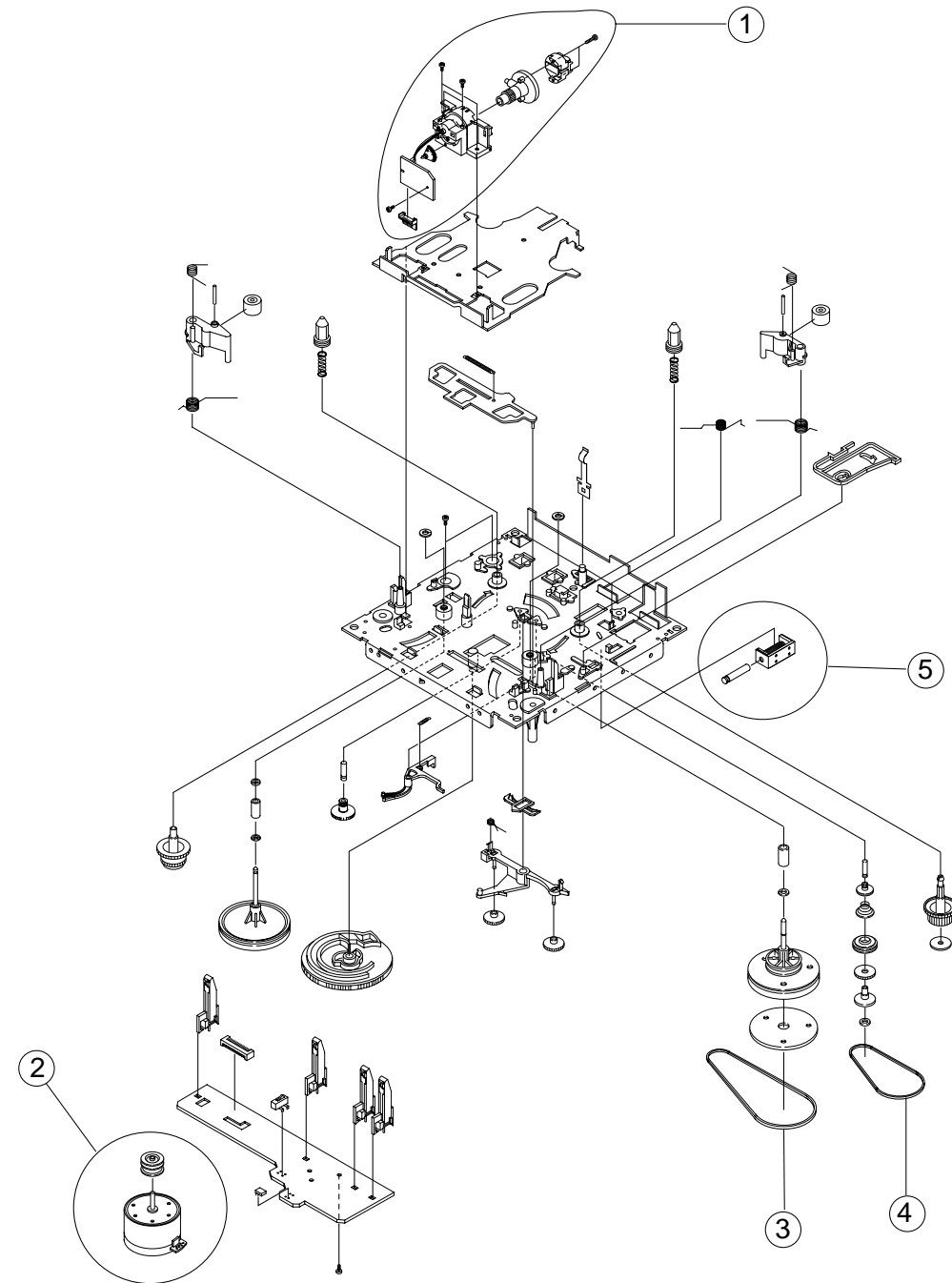


Figure 1-8

## 2.Exploded Views and Parts List

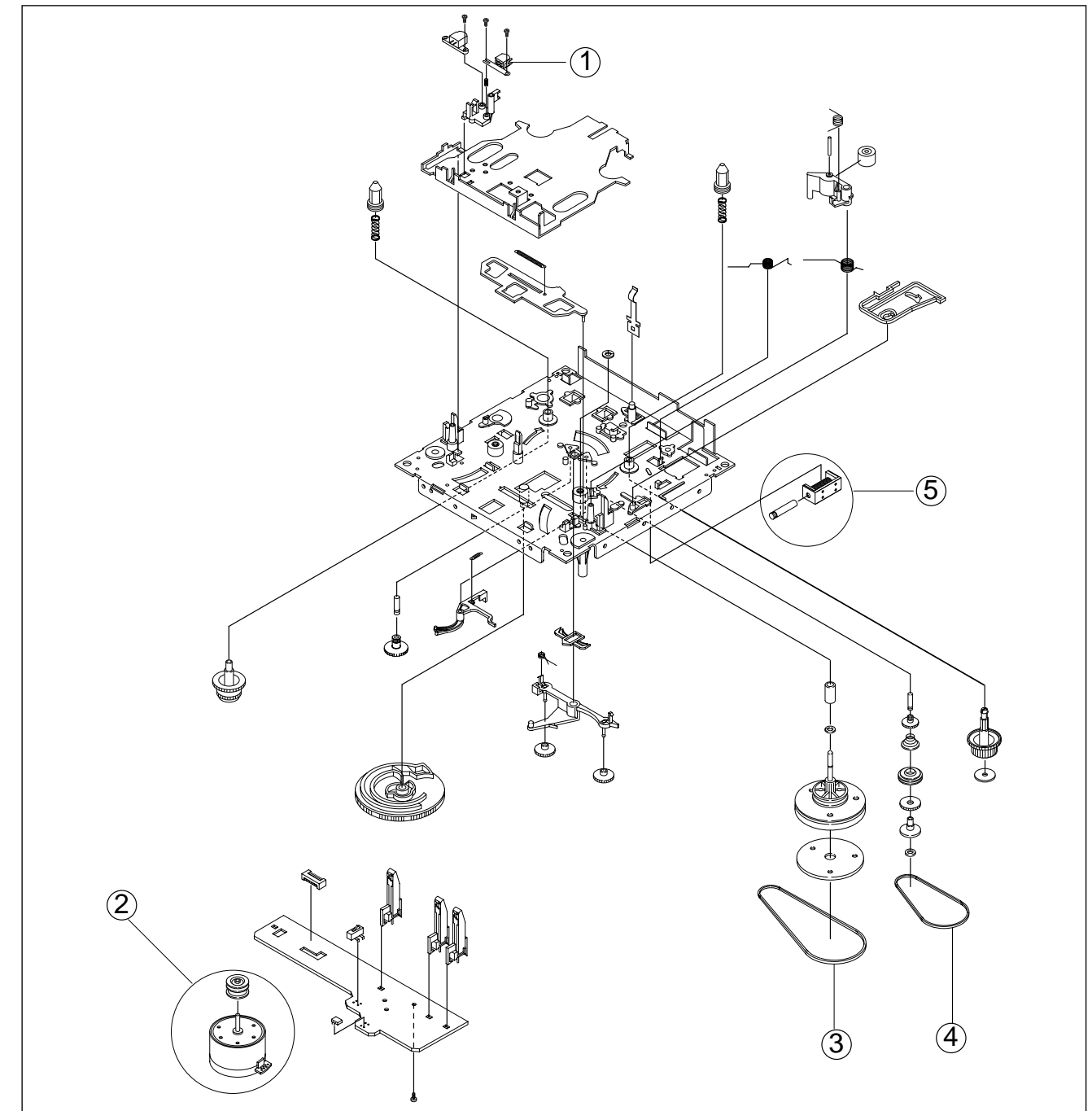
### 2-1 Cassette Deck of MM-L4/L4G

\* AUTO REVERSE ; ADR241BTR(OPTION)



No.	Code No.	Description	Specification	Remarks
	AH59-20006G	DECK-CASSETTE	ADR241BTR :	
1	AH81-00098A	ASS,Y HEAD	TR981PA	14KHZ
2	AH81-00099A	ASS,Y MOTOR	EG530YD-2BH	12V
3	AH81-00100A	BELT MAIN	ADR2400S-MAIN	
4	AH81-00101A	BELT FR	ADR2400S-FR	
5	AH81-00102A	SOLENOID	ADR2400-1	12V

\* AUTO STOP ; ADR241CSR(OPTION)

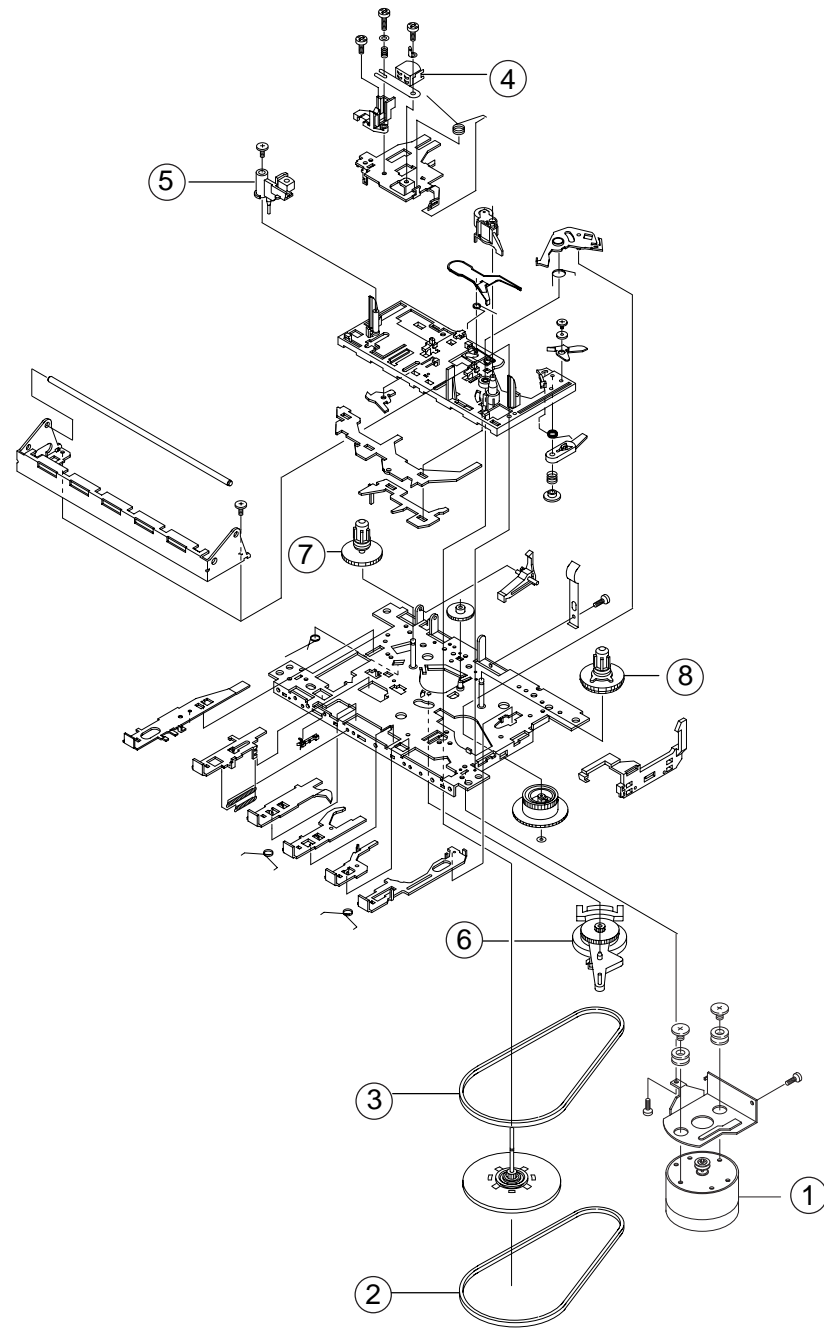


No.	Code No.	Description	Specification	Remarks
	AH59-20006H	DECK-CASSETTE	ADR241CSR :	
1	AH81-10022E	RP HEAD	MA15RAA2N1	12KHZ
2	AH81-00099A	ASS,Y MOTOR	EG530YD-2BH	12V
3	AH81-00100A	BELT MAIN	ADR2400S-MAIN	
4	AH81-00101A	BELT FR	ADR2400S-FR	
5	AH81-00102A	SOLENOID	ADR2400-1 12V	



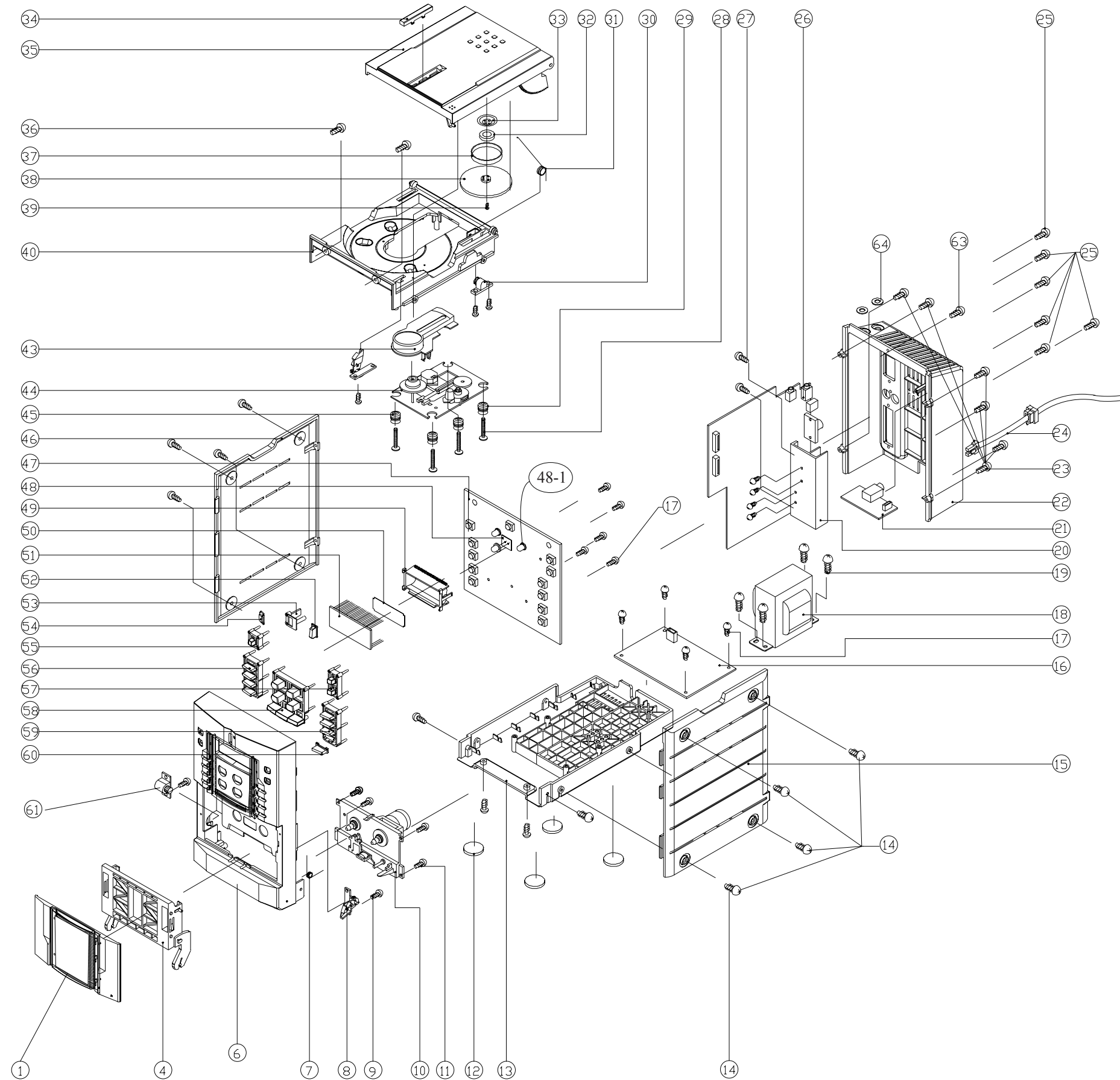
## 2-2 Cassette Deck of MM-L2/L2G

\* AUTO STOP ; YN21Z-SC-63(OPTION)



No.	Code No.	Description	Specification	Remark
	AH59-20006W	YN21Z-SC-63	YANION MECHA DECK	
1	AH81-10688A	MOTOR	EG530AD-2B 12V	EG530AD-2B
2	AH81-11154E	M BELT	6600-090020-001	6600-090020-001
3	AH81-11154D	RF BELT	6600-090014-001	6600-090014-001
4	AH81-11150W	RP HEAD	TC-591	TC951
5	AH81-11150X	E HEAD	TC-230AN	TC 230AN
6	AH81-11037D	R.F PULLEY ASS'Y	8521-2000090-300	8521-2000090-300
7	AH81-11037J	S REEL ASS'Y	8521-2000080-300	8521-2000080-300
8	AH81-11037K	T REEL ASS'Y	8521-2000070-300	8521-2000070-300

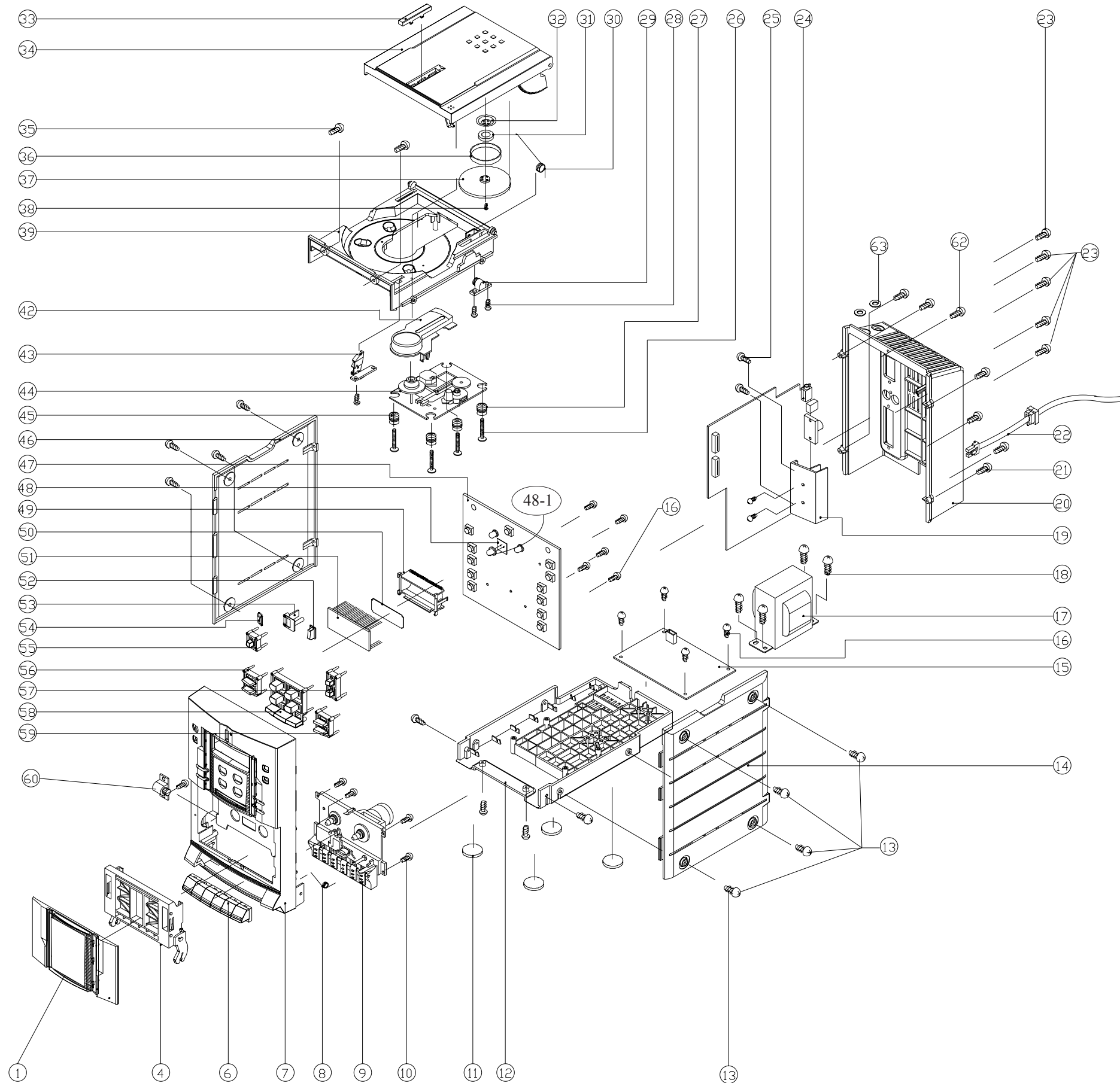
2-3 TOTAL ; MM-L4/L4G



**\* Parts List**

No.	Code No.	Description	Specification	Remarks
1	AH81-00606A	CASS DOOR ASS'Y	ASSEMBLY	MM-L4
	AH81-00606C	CASS DOOR ASS'Y	ASSEMBLY	MM-L4G
4	AH81-00554A	HOLDER CASS	PS M/GRAY	MM-L4
	AH81-00554C	HOLDER CASS	PS D/GRAY	MM-L4G
6	AH81-00604A	CABINET FRONT ASS'Y	ASSEMBLY	MM-L4
	AH81-00604E	CABINET FRONT ASS'Y	ASSEMBLY	MM-L4G
7	AH81-00551A	SPRING CASS DOOR	SWIC-F	MM-L4/L4G
8	AH81-00398J	LATCH ASS'Y	ASSEMBLY	MM-L4/L4G
10	AH59-20006G	CASS DECK	ADR241BTR A/RVS	MM-L4/L4G
12	AH81-00551C	RUBBER FOOT	Dia9.6X2.5mm	MM-L4/L4G
13	AH81-00556A	CABINET BOTTOM	PS M/GRAY	MM-L4/L4G
15	AH81-00557A	CABINET SIDE R	PS M/GRAY	MM-L4
	AH81-00557E	CABINET SIDE R	PS D/GRAY	MM-L4G
18	AH81-00568U	TRANS POWER	230V/50Hz	MM-L4/L4G
20	AH81-00551D	HEAT SINK	ALUMINIUM SHEET	MM-L4/L4G
22	AH81-00558A	CABINET REAR	PS M/GRAY	MM-L4
	AH81-00558C	CABINET REAR	PS D/GRAY	MM-L4G
24	AH81-00616W	AC CORD	KKJ1004A,HO3VVHZ-F1690	MM-L4/L4G
29	AH81-00454D	VIBF.PROOF RUBBER	RED	MM-L4/L4G
30	AH61-80030A	DAMPER ASS'Y	ASSEMBLY	MM-L4/L4G
31	AH81-00551B	SPRING CD DOOR	SWIC-F	MM-L4/L4G
32	AH81-00398H	MAGNET FORCE	Dia30X17.9X5mmTHK	MM-L4/L4G
33	AH81-00384R	PLATE CHUCK B	Dia40mm	MM-L4/L4G
34	AH81-00552D	LENS CD DOOR	PMMA BLUE	MM-L4
	AH81-00552R	LENS CD DOOR	PMMA BLUE GRAY	MM-L4G
35	AH81-00559A	DOOR CD	ABS WHITE PEARL	MM-L4
	AH81-00559H	DOOR CD	ABS GRAY	MM-L4G
37	AH81-00384S	CHUCKING RING	ABS BLACK	MM-L4/L4G
38	AH81-00384Y	PLATE CHUCK A	Dia9.6X2.5mm	MM-L4/L4G
40	AH81-00560A	CHASSIS CD	PS M/GRAY	MM-L4
	AH81-00560C	CHASSIS CD	PS L/GRAY	MM-L4G
43	AH81-00551E	CAP PICK UP	ABS BLACK	MM-L4/L4G
44	AH81-00568R	CD MECHA	B31TG6U	MM-L4/L4G
45	AH81-00454E	VIBF.PROOF RUBBER	GREEN	MM-L4/L4G
46	AH81-00557B	CABINET SIDE L	PS M/GRAY	MM-L4
	AH81-00557F	CABINET SIDE L	PS D/GRAY	MM-L4G
48	AH81-00551Q	LIGHT COVER	PC, MM-L2/L4	MM-L4/L4G
48-1	AH81-00551F	CAP LAMP	SILICON RUBBER	MM-L4/L4G
49	AH81-00551G	HOLDER LCD	PBT WHITE	MM-L4/L4G
50	AH81-00551H	SHEET LCD	PVC 60.2X22mm WHITE	MM-L4/L4G
51	AH81-00568A	LCD	TCM-2850,L2/L4	MM-L4/L4G
52	AH81-00552C	LENS POWER	PMMA CLEAR	MM-L4/L4G
53	AH81-00551J	HOLDER POWER	ABS WHITE	MM-L4/L4G
54	AH81-00551K	LENS REMOTE	PMMA COL	MM-L4/L4G
55	AH81-00561E	KNOB REPEAT	ABS SILVER	MM-L4/L4G
56	AH81-00561A	KNOB LEFT	ABS SILVER	MM-L4/L4G
57	AH81-00561C	KNOB VOLUME	ABS SILVER	MM-L4/L4G
58	AH81-00561D	KNOB FUNCTION	ABS SILVER	MM-L4/L4G
59	AH81-00561B	KNOB RIGHT	ABS SILVER	MM-L4/L4G
60	AH81-00552E	LENS POWER SOUND	CLEAR,ORANGE	MM-L4/L4G
61	AH61-80030A	DEMPPER ASS'Y	ASSEMBLY	MM-L4/L4G

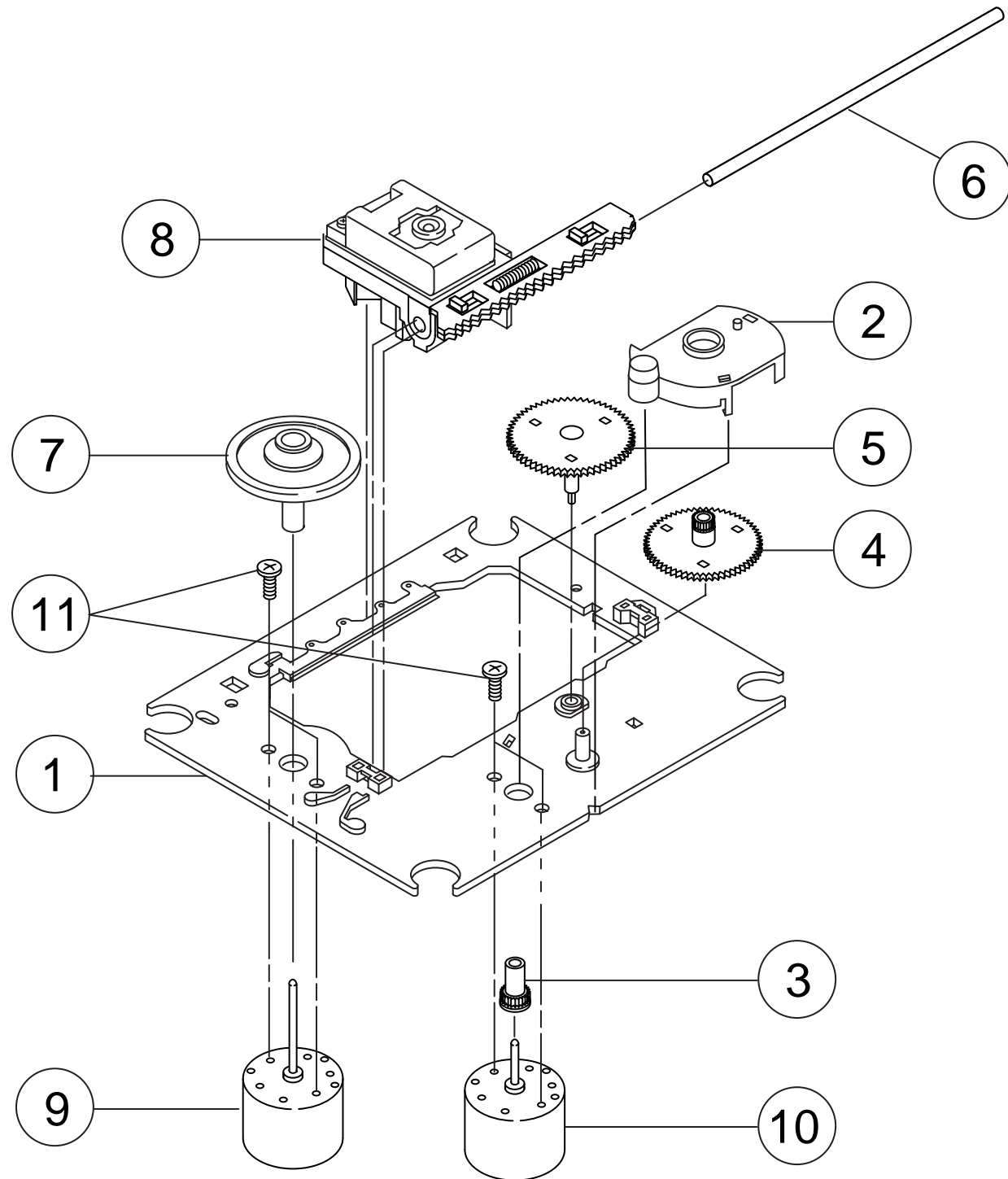
2-4 TOTAL ; MM-L2/L2G



**\* Parts List**

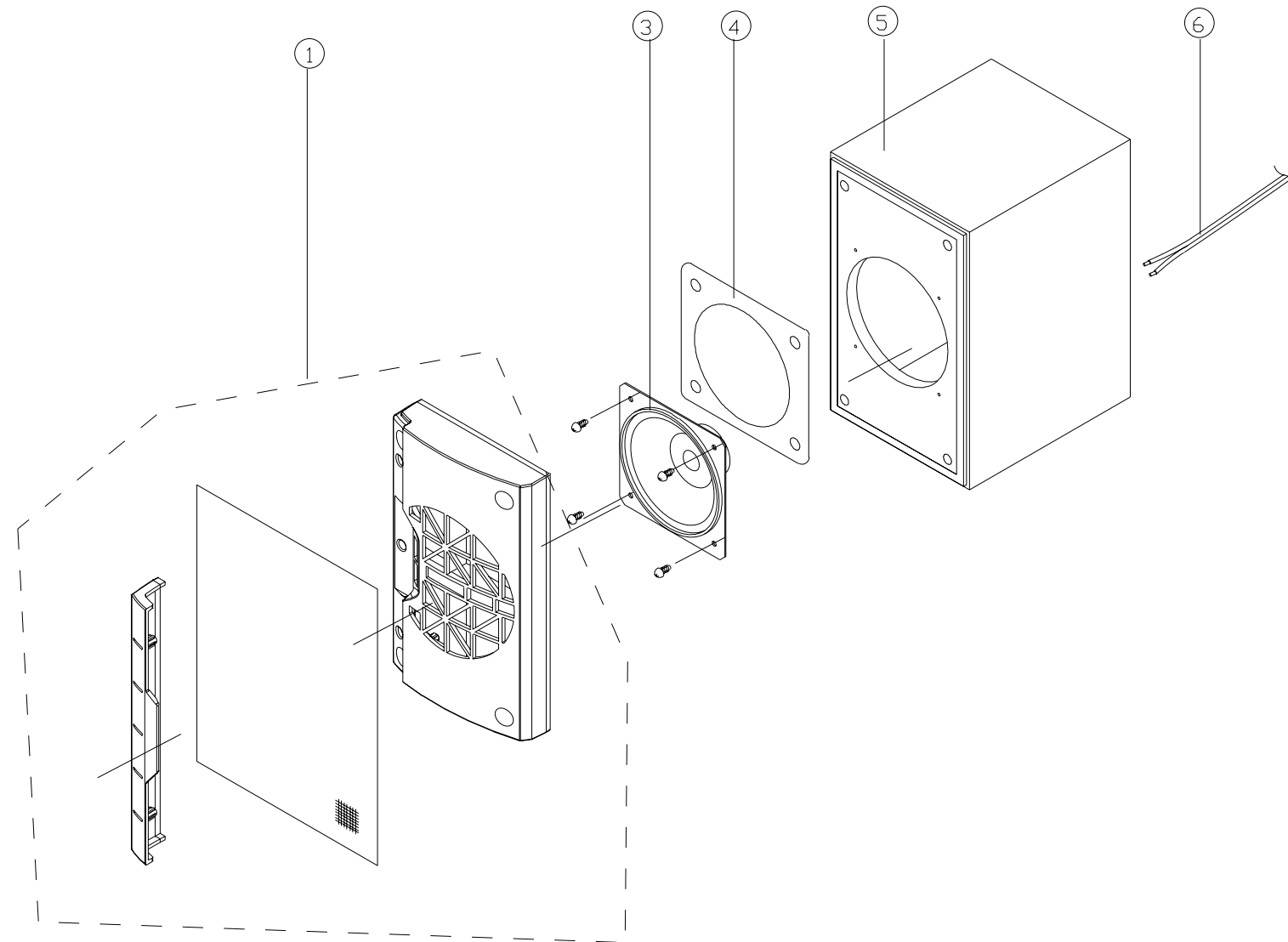
No.	Code No.	Description	Specification	Remarks
1	AH81-00607A	CASS DOOR ASS'Y	ASSEMBLY	MM-L2
	AH81-00607B	CASS DOOR ASS'Y	ASSEMBLY	MM-L2G
4	AH81-00554B	HOLDER CASS	PS,M/BLUE	MM-L2
6A	AH81-00572A	KNOB CASS (REC)	ABS,L/GRAY	MM-L2/L2G
6B	AH81-00572B	KNOB CASS (PLAY)	ABS,L/GRAY	MM-L2/L2G
6C	AH81-00572C	KNOB CASS (REW)	ABS,L/GRAY	MM-L2/L2G
6D	AH81-00572D	KNOB CASS (F.F)	ABS,L/GRAY	MM-L2/L2G
6E	AH81-00572E	KNOB CASS (STOP/EJECT)	ABS,L/GRAY	MM-L2/L2G
6F	AH81-00572F	KNOB CASS (PAUSE)	ABS,L/GRAY	MM-L2/L2G
7	AH81-00605A	CABINET FRONT ASS'Y	ASSEMBLY	MM-L2
	AH81-00605B	CABINET FRONT ASS'Y	ASSEMBLY	MM-L2G
8	AH81-00551M	SPRING CASS DOOR	SWIC-F	MM-L2/L2G
9	AH59-20006D	CASS DECK	A/STOP	MM-L2/L2G
11	AH81-00551C	RUBBER FOOT	Dia9.6X2.5mm	MM-L2/L2G
12	AH81-00556A	CABINET BOTTOM	PS M/GRAY	MM-L2/L2G
14	AH81-00557C	CABINET SIDE R	PS,M/BLUE	MM-L2/L2G
17	AH81-00568W	TRANS POWER	230V/50Hz	MM-L2/L2G
19	AH81-00551N	HEAT SINK	ALUMINIUM SHEET	MM-L2/L2G
20	AH81-00558B	CABINET REAR	PS,M/BLUE	MM-L2/L2G
22	AH81-00616W	AC CORD	KKJ1004A,HO3VVHZ-F1690	MM-L2/L2G
27	AH81-00454D	VIBF.PROOF RUBBER	RED	MM-L2/L2G
29	AH61-80030A	DAMPER ASS'Y	ASSEMBLY	MM-L2/L2G
30	AH81-00551B	SPRING CD DOOR	SWIC-F	MM-L2/L2G
31	AH81-00398H	MAGNET FORCE	Dia30X17.9X5mmTHK	MM-L2/L2G
32	AH81-00384R	PLATE CHUCK B	Dia40mm	MM-L2/L2G
33	AH81-00552D	LENS CD DOOR	PMMA BLUE	MM-L2
	AH81-00552R	LENS CD DOOR	PMMA B/GRAY	MM-L2G
34	AH81-00559B	DOOR CD	ABS,BLUE	MM-L2/L2G
36	AH81-00384S	CHUCKING RING	ABS BLACK	MM-L2/L2G
37	AH81-00384Y	PLATE CHUCK A	Dia9.6X2.5mm	MM-L2/L2G
39	AH81-00560B	CHASSIS CD	PS,M/BLUE	MM-L2/L2G
42	AH81-00551E	CAP PICK UP	ABS BLACK	MM-L2/L2G
43	AH81-00398J	LATCH ASS'Y	ASSEMBLY	MM-L2/L2G
44	AH81-00568R	CD MECHA	B31TG6U	MM-L2/L2G
45	AH81-00454E	VIBF.PROOF RUBBER	GREEN	MM-L2/L2G
46	AH81-00557D	CABINET SIDE L	PS,M/BLUE	MM-L2/L2G
48	AH81-00551Q	LIGHT COVER	PC, MM-L2/L2G/L4	MM-L2/L2G
48-1	AH81-00551F	CAP LAMP	SILICON RUBBER	MM-L2/L2G
49	AH81-00551G	HOLDER LCD	PBT WHITE	MM-L2/L2G
50	AH81-00551H	SHEET LCD	PVC 60.2X22mm WHITE	MM-L2/L2G
51	AH81-00568A	LCD	TCM-2850,L2/L4	MM-L2/L2G
52	AH81-00552C	LENS POWER	PMMA CLEAR	MM-L2/L2G
53	AH81-00551J	HOLDER POWER	ABS WHITE	MM-L2/L2G
54	AH81-00551K	LENS REMOTE	PMMA COL	MM-L2/L2G
55	AH81-00561E	KNOB REPEAT	ABS SILVER	MM-L2/L2G
56	AH81-00561F	KNOB LEFT	ABS,SILVER	MM-L2/L2G
57	AH81-00561C	KNOB VOLUME	ABS SILVER	MM-L2/L2G
58	AH81-00561D	KNOB FUNCTION	ABS SILVER	MM-L2/L2G
59	AH81-00561G	KNOB RIGHT	ABS,SILVER	MM-L2/L2G
60	AH61-80030A	DEMPER ASS'Y	ASSEMBLY	MM-L2/L2G

## 2-5 CD DECK Exploded View and Parts list



No.	Code No.	Description	Specification	Remarks
	<b>AH81-00568R</b>	<b>CD MECHA</b>	<b>P31TG6U(CMS-P31)</b>	
1	AH81-00635A	CHASSIS-DECK(M)	AJ70-00601E	
2	AH81-00635D	COVER-GEAR	AJ66-00601G	
3	AH81-00635B	GEAR(A)	AJ66-00601D	
4	AH81-00635E	GEAR(B)	AJ66-00601B	
5	AH81-00635F	GEAR(C)	AJ66-00601F	
6	AH81-00635G	SHAFT-PU	AJ70-00601A	
7	AH81-00635H	TURN-TABLE(T)	AJ72-00602A	
8	AH81-00635J	SOH-AA	AJ75-00601F	
9	AH81-00635K	MOTOR-SPINDLE	AJ31-00601C	
10	AH81-00635C	MOTOR-FEED	AJ31-00601A	
11	AH81-00635L	SCREW-PH	AJ60-00601D	

## 2-6 SPEAKER Exploded View and Parts list



\* MM-L2 SPK :PS L2E

No.	Code No.	Description	Specification
-----	----------	-------------	---------------

<b>AH81-00579B SPEAKER SYSTEM ASS'Y</b>			
	AH81-00569B	SPEAKER L ASS'Y	
	AH81-00570B	SPEAKER R ASS'Y	
1	AH81-00563C	PANEL SPK ASS'Y	
3	AH81-00571D	SPEAKER-GENERAL	
4	AH81-00551L	CUSHION SPK	
5	AH81-00564A	WRAP WOODEN	
6	AH81-00571C	WIRE SPEAKER	

\* MM-L2G SPK :PS L2GE

No.	Code No.	Description	Specification
-----	----------	-------------	---------------

<b>AH81-00579C SPEAKER SYSTEM ASS'Y</b>			
	AH81-00569F	SPEAKER L ASS'Y	
	AH81-00570F	SPEAKER R ASS'Y	
1	AH81-00563E	PANEL SPK ASS'Y	
3	AH81-00571D	SPEAKER-GENERAL	
4	AH81-00551L	CUSHION SPK	
5	AH81-00564A	WRAP WOODEN	
6	AH81-00571C	WIRE SPEAKER	

\* MM-L4 SPK :PS L4E

No.	Code No.	Description	Specification
-----	----------	-------------	---------------

<b>AH81-00580B SPEAKER SYSTEM ASS'Y</b>			
	AH81-00569A	SPEAKER L ASS'Y	
	AH81-00570A	SPEAKER R ASS'Y	
1	AH81-00563A	PANEL SPK ASS'Y	
3	AH81-00571A	SPEAKER-GENERAL	
4	AH81-00551L	CUSHION SPK	
5	AH81-00564A	WRAP WOODEN	
6	AH81-00571C	WIRE SPEAKER	

\* MM-L4G SPK :PS L4GE

No.	Code No.	Description	Specification
-----	----------	-------------	---------------

<b>AH81-00581D SPEAKER SYSTEM ASS'Y</b>			
	AH81-00569E	SPEAKER L ASS'Y	
	AH81-00570E	SPEAKER R ASS'Y	
1	AH81-00563D	PANEL SPK ASS'Y	
3	AH81-00571A	SPEAKER-GENERAL	
4	AH81-00551L	CUSHION SPK	
5	AH81-00564C	WRAP WOODEN	
6	AH81-00571C	WIRE SPEAKER	

\* CAUTION : It is used the bonding, connet FRONT PANEL to CABINET WOODEN.  
So when the disassembly, take extreme care not to damage the SPEAKER.



# 3. Electrical Parts List

\*S.N.A. : Service Not Available

Location no.	Code no.	Description & Specification	Remarks
<b>**** MM-L2 Parts List ****</b>			
	AH81-00579B	A/S PART-SPEAKER SYSTEM ASSY;0002-0MML2	
	AH81-00569B	A/S PART-SPEAKER L ASSY;PS L2H,,-,-,-	
	AH81-00570B	A/S PART-SPEAKER R ASSY;PS L2H,,-,-,-	
	AH88-00954P	MANUAL-BOOK;MM-L2-,RUSSIAN,-,-,-,260*19	
TRANS-POWER	AH81-00568W	0326-46600-47,230V/50HZ	MM-L2 EUROPE
	AH81-00601Z	0326-46600-56,127V/60HZ	MM-L2 U.S.A
	AH81-00610B	0326-46600-51,120/230V,50HZ	MM-L2 UMG
A/C CORD	AH81-00616W	0349-30005-94,KK,1J004A	MM-L2/L4 EUROPE
	AH81-00601C	0349-30005-96,KJ-10W	MM-L2/L4 SEM
	AH81-00601D	0349-30005-97,H.P.I.BS6500	MM-L2/L4 U.K

Location no.	Code no.	Description & Specification	Remarks
	<b>AH81-00615A</b>	<b>A/S PART-PCB MAIN ASSY;MM-L2,0001-0MML2</b>	
BPF101	AH81-00445R	BPF-COIL;0342-12135-16,A-258A(T-829847-	
C102	2201-000504	C-CERAMIC,DISC,0.039nF,5%,50V,SL,TP,5x3	
C103	2201-000282	C-CERAMIC,DISC,1nF,+80,-20%,50V,Y5V,TP,5x	
C104	2201-000397	C-CERAMIC,DISC,0.024nF,5%,50V,NP0,TP,5x3	
C105	2201-000198	C-CERAMIC,DISC,100pF,5%,50V,SL,4x3.5mm	
C106	2201-000282	C-CERAMIC,DISC,1nF,+80,-20%,50V,Y5V,TP,5x	
C107	2201-000783	C-CERAMIC,DISC,100nF,+80,-20%,50V,Y5V,-	
C108	2201-000144	C-CERAMIC,DISC,100pF,5%,50V,NP0,8.0X4.0m	
C109	2201-000381	C-CERAMIC,DISC,22nF,+80,-20% 50V Y5V 8.	
C11	AH81-00445Z	C-TRIMMER;0341-10020-00,20P,DIA-6MM,-,-,-	
C110	2201-000381	C-CERAMIC,DISC,22nF,+80,-20% 50V Y5V 8.	
C111	2201-000506	C-CERAMIC,DISC,3PF,0.25PF,50V,NP0,4.0X3.	
C112	2201-000659	C-CERAMIC,DISC,6PF,5PF,50V,SL,5.0*3.0.	
C113	2201-000381	C-CERAMIC,DISC,22nF,+80,-20% 50V Y5V 8.	
C114	2401-001904	C-AL,100uF,20%,16V,GP,4*7.5MM,TP	
C115	2301-000379	C-FILM,PEF,10nF,10%,50V,6x12x3.5,TP	
C116	2201-000483	C-CERAMIC,DISC,0.033nF,5%,50V,NP0,TP,5x3	
C117	2201-000368	C-CERAMIC,DISC,220pF,10%,50V,SL,TP,6.5x3	
C119	2201-000381	C-CERAMIC,DISC,22nF,+80,-20% 50V Y5V 8.	
C120	2201-000144	C-CERAMIC,DISC,100pF,5%,50V,NP0,8.0X4.0m	
C122	2201-000646	C-CERAMIC,DISC,68nF,+80,-20%,50V,Y5V,TP,8	
C123	2201-000470	C-CERAMIC,DISC,330pF,10%,50V,SL,TP,6.5x3	
C124	2401-001904	C-AL,100uF,20%,16V,GP,4*7.5MM,TP	
C127	2401-001893	C-AL,100uF,20%,16V,GP,6*7.5MM,TP	
C128	2201-000565	C-CERAMIC,DISC,47nF,+80,-20% 50V Y5V 12	
C129	2201-000282	C-CERAMIC,DISC,1nF,+80,-20%,50V,Y5V,TP,5x	
C130	2401-001954	C-AL,4.7UF,20%,50V,GP,5*11.5MM,TP	
C131	2201-000565	C-CERAMIC,DISC,47nF,+80,-20% 50V Y5V 12	
C132	2401-001904	C-AL,100uF,20%,16V,GP,4*7.5MM,TP	
C133	2401-001904	C-AL,100uF,20%,16V,GP,4*7.5MM,TP	
C134	2201-000381	C-CERAMIC,DISC,22nF,+80,-20% 50V Y5V 8.	
C135	2401-000588	C-AL,1uF,20%,50V,GP,3*5,2.5MM,TP	
C136	2401-000588	C-AL,1uF,20%,50V,GP,3*5,2.5MM,TP	
C137	2401-001893	C-AL,100uF,20%,16V,GP,6*7.5MM,TP	
C139	2301-000379	C-FILM,PEF,10nF,10%,50V,6x12x3.5,TP	
C140	2301-000379	C-FILM,PEF,10nF,10%,50V,6x12x3.5,TP	
C141	2301-000404	C-FILM,PEF,2.2nF,10%,50V,5.5x12x3,TP	
C142	2301-000404	C-FILM,PEF,2.2nF,10%,50V,5.5x12x3,TP	
C143	2401-001511	C-AL,47uF,20%,16V,GP,6*7.5MM,TP	
C144	2201-000565	C-CERAMIC,DISC,47nF,+80,-20% 50V Y5V 12	
C145	2201-000144	C-CERAMIC,DISC,100pF,5%,50V,NP0,8.0X4.0m	
C146	2201-000144	C-CERAMIC,DISC,100pF,5%,50V,NP0,8.0X4.0m	
C147	2201-000144	C-CERAMIC,DISC,100pF,5%,50V,NP0,8.0X4.0m	
C148	2201-000389	C-CERAMIC,DISC,0.022nF,5%,50V,NP0,TP,5x3	
C149	2201-000273	C-CERAMIC,DISC,0.018nF,5%,50V,NP0,TP,5x3	
C150	2201-000144	C-CERAMIC,DISC,100pF,5%,50V,NP0,8.0X4.0m	
C151	2401-001893	C-AL,100uF,20%,16V,GP,6*7.5MM,TP	
C152	2201-000144	C-CERAMIC,DISC,100pF,5%,50V,NP0,8.0X4.0m	
C153	2201-000282	C-CERAMIC,DISC,1nF,+80,-20%,50V,Y5V,TP,5x	
C154	2201-000470	C-CERAMIC,DISC,330pF,10%,50V,SL,TP,6.5x3	
C155	2201-000282	C-CERAMIC,DISC,1nF,+80,-20%,50V,Y5V,TP,5x	
C156	2401-001324	C-AL,470nF,20%,50V,GP,3*5,2.5MM,TP	
C160	2201-000783	C-CERAMIC,DISC,100nF,+80,-20% 50V Y5V,-	
C161	AH81-00445Z	C-TRIMMER;0341-10020-00,20P,DIA-6MM,-,-,-	
C162	AH81-00445Z	C-TRIMMER;0341-10020-00,20P,DIA-6MM,-,-,-	
C163	2201-000381	C-CERAMIC,DISC,22nF,+80,-20% 50V Y5V 8.	
C164	2201-000381	C-CERAMIC,DISC,22nF,+80,-20% 50V Y5V 8.	
C167	2201-000223	C-CERAMIC,DISC,100pF,5%,50V,NP0,5.0*3.0,2	
C168	2401-001891	C-AL,100uF,20%,10V,BP,6X11MM,5MM,TP	
C169	2201-000565	C-CERAMIC,DISC,47nF,+80,-20% 50V Y5V 12	
C170	2201-000557	C-CERAMIC,DISC,470pF,10%,50V,SL,10.0X4.0	
C173	2201-000783	C-CERAMIC,DISC,100nF,+80,-20%,50V,Y5V,-	
C190	2401-001891	C-AL,100UF,20%,10V,BP,6X11MM,5MM,TP	
C201	2201-000144	C-CERAMIC,DISC,100pF,5%,50V,NP0,8.0X4.0m	
C251	2201-000144	C-CERAMIC,DISC,100pF,5%,50V,NP0,8.0X4.0m	
C301	2301-000422	C-FILM,PEF,3.3nF,10%,50V,5.5x7x3,TP	
C302	2201-000144	C-CERAMIC,DISC,100pF,5%,50V,NP0,8.0X4.0m	
C303	2401-001954	C-AL,4.7UF,20%,50V,GP,5*11.5MM,TP	
C304	2301-000419	C-FILM,PEF,27nF,10%,50V,8x12x4,TP	

Location no.	Code no.	Description & Specification	Remarks
C305	2201-000338	C-CERAMIC,DISC,2.2nF,20%,50V,Y5T,5.0*3.0	
C306	2401-001019	C-AL,3.3uF,20%,50V,GP,4*7.5MM,TP	
C307	2401-001891	C-AL,100UF,20%,10V,BP,6X11MM,5MM,TP	
C308	2401-002183	C-AL,220UF,20%,16V,GP,10*9.5MM,TP	
C309	2401-002183	C-AL,220UF,20%,16V,GP,10*9.5MM,TP	
C310	2401-001882	C-AL,1000UF,20%,16V,	
C311	2201-000368	C-CERAMIC,DISC,220pF,10%,50V,SL,TP,6.5x3	
C330	2401-001954	C-AL,4.7UF,20%,50V,GP,5*11.5MM,TP	
C351	2301-000422	C-FILM,PEF,3.3nF,10%,50V,5.5x7x3,TP	
C352	2201-000144	C-CERAMIC,DISC,100pF,5%,50V,NP0,8.0X4.0m	
C353	2401-001954	C-AL,4.7UF,20%,50V,GP,5*11.5MM,TP	
C354	2301-000419	C-FILM,PEF,27nF,10%,50V,8x12x4,TP	
C355	2201-000338	C-CERAMIC,DISC,2.2nF,20%,50V,Y5T,5.0*3.0	
C356	2401-001019	C-AL,3.3uF,20%,50V,GP,4*7.5MM,TP	
C361	2201-000368	C-CERAMIC,DISC,220pF,10%,50V,SL,TP,6.5x3	
C380	2201-000783	C-CERAMIC,DISC,100nF,+80,-20%,50V,Y5V,-	
C401	2201-000144	C-CERAMIC,DISC,100pF,5%,50V,NP0,8.0X4.0m	
C402	2401-000588	C-AL,1uF,20%,50V,GP,3*5,2.5MM,TP	
C403	2401-001511	C-AL,47uF,20%,16V,GP,6*7.5MM,TP	
C404	2201-000338	C-CERAMIC,DISC,2.2nF,20%,50V,Y5T,5.0*3.0	
C405	2401-000588	C-AL,1uF,20%,50V,GP,3*5,2.5MM,TP	
C406	2301-000407	C-FILM,PEF,2.7nF,10%,50V,5.5x12x3,TP	
C407	2201-000381	C-CERAMIC,DISC,22nF,+80,-20% 50V Y5V 8.	
C408	2401-001954	C-AL,4.7UF,20%,50V,GP,5*11.5MM,TP	
C409	2401-000588	C-AL,1uF,20%,50V,GP,3*5,2.5MM,TP	
C410	2401-001904	C-AL,100uF,20%,16V,GP,4*7.5MM,TP	
C431	2401-001511	C-AL,47uF,20%,16V,GP,6*7.5MM,TP	
C432	2301-000379	C-FILM,PEF,10nF,10%,50V,6x12x3.5,TP	
C433	2301-000379	C-FILM,PEF,10nF,10%,50V,6x12x3.5,TP	
C434	2301-000365	C-FILM,PEF,1.5nF,10%,50V,5.5x12x3,TP	
C451	2201-000144	C-CERAMIC,DISC,100pF,5%,50V,NP0,8.0X4.0m	
C452	2401-000588	C-AL,1uF,20%,50V,GP,3*5,2.5MM,TP	
C453	2401-001511	C-AL,47uF,20%,16V,GP,6*7.5MM,TP	
C454	2201-000338	C-CERAMIC,DISC,2.2nF,20%,50V,Y5T,5.0*3.0	
C455	2401-000588	C-AL,1uF,20%,50V,GP,3*5,2.5MM,TP	
C456	2301-000407	C-FILM,PEF,2.7nF,10%,50V,5.5x12x3,TP	
C501	2401-000588	C-AL,1uF,20%,50V,GP,3*5,2.5MM,TP	
C502	2401-000588	C-AL,1uF,20%,50V,GP,3*5,2.5MM,TP	
C503	2401-000588	C-AL,1uF,20%,50V,GP,3*5,2.5MM,TP	
C504	2401-000588	C-AL,1uF,20%,50V,GP,3*5,2.5MM,TP	
C505	2401-002180	C-AL,2.2uF,20%,50V,GP,5*11.5mm,TP	
C506	2301-000454	C-FILM,PEF,5.6nF,10%,50V,6x12x3,TP	
C509	2201-000783	C-CERAMIC,DISC,100nF,+80,-20%,50V,Y5V,-	
C510	2201-000783	C-CERAMIC,DISC,100nF,+80,-20%,50V,Y5V,-	
C511	2401-001904	C-AL,100uF,20%,16V,GP,4*7.5MM,TP	
C512	2401-000588	C-AL,1uF,20%,50V,GP,3*5,2.5MM,TP	
C514	2401-001893	C-AL,100uF,20%,16V,GP,6*7.5MM,TP	
C516	2201-000144	C-CERAMIC,DISC,100pF,5%,50V,NP0,8.0X4.0m	
C517	2201-000144	C-CERAMIC,DISC,100pF,5%,50V,NP0,8.0X4.0m	
C518	2201-000389	C-CERAMIC,DISC,0.022nF,5%,50V,NP0,TP,5x3	
C519	2401-000588	C-AL,1uF,20%,50V,GP,3*5,2.5MM,TP	
C520	2401-001893	C-AL,100uF,20%,16V,GP,6*7.5MM,TP	
C541	2401-001893	C-AL,100uF,20%,16V,GP,6*7.5MM,TP	
C550	2401-001893	C-AL,100uF,20%,16V,GP,6*7.5MM,TP	
C551	2401-000588	C-AL,1uF,20%,50V,GP,3*5,2.5MM,TP	
C552	2401-000588	C-AL,1uF,20%,50V,GP,3*5,2.5MM,TP	
C553	2401-000588	C-AL,1uF,20%,50V,GP,3*5,2.5MM,TP	
C554	2401-000588	C-AL,1uF,20%,50V,GP,3*5,2.5MM,TP	
C555	2401-002180	C-AL,2.2uF,20%,50V,GP,5*11.5mm,TP	
C556	2301-000454	C-FILM,PEF,5.6nF,10%,50V,6x12x3,TP	
C559	2201-000783	C-CERAMIC,DISC,100nF,+80,-20%,50V,Y5V,-	
C560	2201-000783	C-CERAMIC,DISC,100nF,+80,-20%,50V,Y5V,-	
C562	2401-000588	C-AL,1uF,20%,50V,GP,3*5,2.5MM,TP	
C568	2201-000389	C-CERAMIC,DISC,0.022nF,5%,50V,NP0,TP,5x3	
C569	2401-000588	C-AL,1uF,20%,50V,GP,3*5,2.5MM,TP	
C601	2401-000588	C-AL,1uF,20%,50V,GP,3*5,2.5MM,TP	
C602	2201-000338	C-CERAMIC,DISC,2.2nF,20%,50V,Y5T,5.0*3.0	
C603	2201-000381	C-CERAMIC,DISC,22nF,+80,-20% 50V Y5V 8.	
C606	2301-000387	C-FILM,PEF,150nF,10%,50V,12.5x15x7.5,TP	
C607	2401-001882	C-AL,1000UF,20%,16V,	
C608	2401-000588	C-AL,1uF,20%,50V,GP,3*5,2.5MM,TP	
C609	2401-001883	C-AL,1000UF,20%,25V,GP,13x21mm,5mm,	
C610	2201-000144	C-CERAMIC,DISC,100pF,5%,50V,NP0,8.0X4.0m	
C611	2201-000144	C-CERAMIC,DISC,100pF,5%,50V,NP0,8.0X4.0m	
C640	2201-000565	C-CERAMIC,DISC,47nF,+80,-20% 50V Y5V 12	
C650	2401-000325	C-AL,100uF,20%,35V,GP,8*11.5,5MM,TP	
C651	2401-000588	C-AL,1uF,20%,50V,GP,3*5,2.5MM,TP	
C652	2201-000338	C-CERAMIC,DISC,2.2nF,20%,50V,Y5T,5.0*3.0	
C656	2301-000387	C-FILM,PEF,150nF,10%,50V,12.5x15x7.5,TP	
C657	2401-001882	C-AL,1000UF,20%,16V,	
C660	2201-000144	C-CERAMIC,DISC,100pF,5%,50V,NP0,8.0X4.0m	
C661	2201-000144	C-CERAMIC,DISC,100pF,5%,50V,NP0,8.0X4.0m	
C690	2201-000565	C-CERAMIC,DISC,47nF,+80,-20% 50V Y5V 12	
C705	2401-001962	C-AL,4700UF,20%,35V,GP,BK,22x40mm,5	
C706	2401-001883	C-AL,1000UF,20%,25V,GP,13x21mm,5mm,	
C707	2401-000325	C-AL,100uF,20%,35V,GP,8*11.5,5MM,TP	
C708	2401-000588	C-AL,1uF,20%,50V,GP,3*5,2.5MM,TP	
C709	2401-000830	C-AL,220UF,20%,2	



Location no.	Code no.	Description & Specification	Remarks
C901	2401-000630	C-AL:220uF,20%,25V,GP#*11.5,5MM,TP	
C903	2201-000144	C-CERAMIC,DISC:100F5,5%,50V,NPO,8,0X4.0m	
C904	2401-001511	C-AL:47uF,20%,16V,GP#7,5MM,TP	
C905	2401-000588	C-AL:1uF,20%,50V,GP#5,2.5MM,TP	
C913	2401-001893	C-AL:100uF,20%,16V,GP#7,5MM,TP	
C953	2201-000144	C-CERAMIC,DISC:100F5,5%,50V,NPO,8,0X4.0m	
CN702	AH81-00616C	A/S PART-CONNECTOR ASSY,MM-L2,0321-0413	
CNP101	AH81-00616A	A/S PART-CONNECTOR-HEADER,MM-L2,0321-080	
CNP102	AH81-00616Y	A/S PART-CONNECTOR-HEADER,MM-L2,0321-061	
CNP309	AH81-00616B	A/S PART-CONNECTOR-HEADER,MM-L2,0321-081	
CNP901	3722-000377	JACK-RCA:4P2C,3.5mm,#16--22,SN	
D101	0401-000101	DIODE-SWITCHING:1N4148,100V,200mA,DO-35,	
D102	0401-000101	DIODE-SWITCHING:1N4148,100V,200mA,DO-35,	
D103	AH81-00445A	DIODE-VARIC AP:0344-3V101-03,1SV	
D104	0401-000101	DIODE-SWITCHING:1N4148,100V,200mA,DO-35,	
D105	AH81-00445A	DIODE-VARIC AP:0344-3V101-03,1SV	
D106	0401-000101	DIODE-SWITCHING:1N4148,100V,200mA,DO-35,	
D107	0405-000140	DIODE-VARACTOR,SVC321SP,-15V,-100NA,TO-9	
D108	0405-000140	DIODE-VARACTOR,SVC321SP,-15V,-100NA,TO-9	
D109	0401-000101	DIODE-SWITCHING:1N4148,100V,200mA,DO-35,	
D110	0401-000101	DIODE-SWITCHING:1N4148,100V,200mA,DO-35,	
D111	0401-000101	DIODE-SWITCHING:1N4148,100V,200mA,DO-35,	
D112	0401-000101	DIODE-SWITCHING:1N4148,100V,200mA,DO-35,	
D113	0401-000101	DIODE-SWITCHING:1N4148,100V,200mA,DO-35,	
D131	0401-000101	DIODE-SWITCHING:1N4148,100V,200mA,DO-35,	
D302	0401-000101	DIODE-SWITCHING:1N4148,100V,200mA,DO-35,	
D303	0401-000101	DIODE-SWITCHING:1N4148,100V,200mA,DO-35,	
D306	0401-000101	DIODE-SWITCHING:1N4148,100V,200mA,DO-35,	
D401	0401-000101	DIODE-SWITCHING:1N4148,100V,200mA,DO-35,	
D402	0401-000101	DIODE-SWITCHING:1N4148,100V,200mA,DO-35,	
D403	0401-000101	DIODE-SWITCHING:1N4148,100V,200mA,DO-35,	
D404	0401-000101	DIODE-SWITCHING:1N4148,100V,200mA,DO-35,	
D901	0402-000151	DIODE-RECTIFIER:1N5392,100V,1.5A,DO-15	
D902	0402-000151	DIODE-RECTIFIER:1N5392,100V,1.5A,DO-15	
D903	0401-000101	DIODE-SWITCHING:1N4148,100V,200mA,DO-35,	
D904	0401-000101	DIODE-SWITCHING:1N4148,100V,200mA,DO-35,	
D905	0402-000151	DIODE-RECTIFIER:1N5392,100V,1.5A,DO-15	
D906	0402-000151	DIODE-RECTIFIER:1N5392,100V,1.5A,DO-15	
IC101	AH81-00444K	IC-FM FRONT END:0330-7358A-01,T	
IC102	AH81-00444H	IC-1CHIP TU NER:0330-8132N-01,TA	
IC103	AH14-10007G	IC-LC72131D,DIP,STICK PLL	
IC301	1201-000358	IC-PREAMP:S1A0291*01-A0B0,24SDIP	
IC302	1201-000191	IC-OP AMP:4558,DIP,8P,300MIL,DUAL,20V/mV	
IC501	1204-001465	IC-VOLUME/TONE CONT:TD47440D,SOP,28,18	
IC601	1201-001454	IC-POWER AMP:TD47499,ZIP,11P,---,PLAST	
IC701	AC14-12001G	IC-POS:ADJUST REG.:KA78L05Z-TA,TO-92,3P	
JACK101	AH81-00549D	A/S PART-CONNECTOR-HEADER:0321-02024-10,	
JACK102	AH81-00616D	A/S PART-JACK-FM ANT,MM-L2,0322-D0001-00	
JACK201	AH81-00549J	A/S PART-JACK-RCA:0322-80178-00,2PRS-20	
JACK501	3716-000209	TERMINAL-BLOCK:---,80V,7A	
JACK601	AH81-00384J	A/S PART-JACK-PHONE:0322-10147-00,-EJS-	
L101	AH81-00445N	COIL-SPRING:0332-20026-03.5T,R8P,4.5D	
L102	AH81-00616K	A/S PART-COIL-SPRING:-0332-20015-00,3.5	
L431	2701-000114	INDUCTOR-AXIAL:10uH,10%,2.5x3.4mm,LA02TB	
L601	2701-000114	INDUCTOR-AXIAL:10uH,10%,2.5x3.4mm,LA02TB	
L603	2701-000114	INDUCTOR-AXIAL:10uH,10%,2.5x3.4mm,LA02TB	
L651	2701-000114	INDUCTOR-AXIAL:10uH,10%,2.5x3.4mm,LA02TB	
MPCB	AH81-00612B	A/S PART-PCB MAIN BOARD,MM-L2,0320-MM121	
Q101	AH81-00616E	A/S PART-TR,MM-L2,0329-9015C-17,SS9015C,	
Q103	AH81-00383H	TR-SMALL:0329-9014C-17,SS9014C,---	
Q104	0502-000303	TR-POWER:KSD882,NPN,1W,TO-126,TP,160-32	
Q105	AH81-00616E	A/S PART-TR,MM-L2,0329-9015C-17,SS9015C,	
Q106	AH81-00383H	TR-SMALL:0329-9014C-17,SS9014C,---	
Q107	0501-000398	TR-SMALL SIGNAL:KSC945,NPN,250mW,TO-92,T	
Q108	0501-000398	TR-SMALL SIGNAL:KSC945,NPN,250mW,TO-92,T	
Q109	0501-000398	TR-SMALL SIGNAL:KSC945,NPN,250mW,TO-92,T	
Q301	0501-000010	TR-SMALL SIGNAL:KSC1008,NPN,800mW,TO-92,	
Q302	0501-000010	TR-SMALL SIGNAL:KSC1008,NPN,800mW,TO-92,	
Q304	AH81-00383H	TR-SMALL:0329-9014C-17,SS9014C,---	
Q305	0504-000121	TR-DIGITAL:KSR1007TA/108M,300MW,22K-47K	
Q306	0501-000610	TR-SMALL SIGNAL:KSA928A-Y,PNP,1W,TO-92L,	
Q355	0504-000121	TR-DIGITAL:KSR1007TA/108M,300MW,22K-47K	
Q502	0501-000398	TR-SMALL SIGNAL:KSC945,NPN,250mW,TO-92,T	
Q503	0501-000398	TR-SMALL SIGNAL:KSC945,NPN,250mW,TO-92,T	
Q553	0501-000398	TR-SMALL SIGNAL:KSC945,NPN,250mW,TO-92,T	
Q701	0501-000610	TR-SMALL SIGNAL:KSA928A-Y,PNP,1W,TO-92L,	
Q702	AH81-00383H	TR-SMALL:0329-9014C-17,SS9014C,---	
Q703	0502-000303	TR-POWER:KSD882,NPN,1W,TO-126,TP,160-32	
Q901	0502-000407	TR-POWER:KTC4969,Y,NPN,30V,30A,15	
Q902	0501-000610	TR-SMALL SIGNAL:KSA928A-Y,PNP,1W,TO-92L,	
Q903	AH81-00383H	TR-SMALL:0329-9014C-17,SS9014C,---	
Q904	0501-000398	TR-SMALL SIGNAL:KSC945,NPN,250mW,TO-92,T	
Q954	0501-000398	TR-SMALL SIGNAL:KSC945,NPN,250mW,TO-92,T	
R101	2001-000527	R-CARBON:22ohm,5%,1/8W,AA,TP,1.8x3.2mm	
R102	2001-000786	R-CARBON:47Kohm,5%,1/8W,AA,TP,1.8x3.2mm	
R103	2001-000302	R-CARBON:10ohm,5%,1/8W,AA,TP,1.8x3.2mm	
R104	2001-000325	R-CARBON:120ohm,5%,1/8W,AA,TP,1.8x3.2mm	
R105	2001-000786	R-CARBON:47Kohm,5%,1/8W,AA,TP,1.8x3.2mm	
R106	2001-000302	R-CARBON:10ohm,5%,1/8W,AA,TP,1.8x3.2mm	
R107	2001-000302	R-CARBON:10ohm,5%,1/8W,AA,TP,1.8x3.2mm	
R108	2001-000356	R-CARBON:150Kohm,5%,1/8W,AA,TP,1.8x3.2mm	
R109	2001-000857	R-CARBON:560ohm,5%,1/8W,AA,TP,1.8x3.2mm	
R110	2001-000660	R-CARBON:33Kohm,5%,1/8W,AA,TP,1.8x3.2mm	
R111	2001-000281	R-CARBON:100ohm,5%,1/8W,AA,TP,1.8x3.2mm	

Location no.	Code no.	Description & Specification	Remarks
R112	2001-000793	R-CARBON:47ohm,5%,1/8W,AA,TP,1.8x3.2mm	
R113	2001-000302	R-CARBON:10ohm,5%,1/8W,AA,TP,1.8x3.2mm	
R115	2001-000522	R-CARBON:22Kohm,5%,1/8W,AA,TP,1.8x3.2mm	
R116	2001-000802	R-CARBON:5.6Kohm,5%,1/8W,AA,TP,1.8x3.2mm	
R117	2001-000290	R-CARBON:10Kohm,5%,1/8W,AA,TP,1.8x3.2mm	
R118	2001-000302	R-CARBON:10ohm,5%,1/8W,AA,TP,1.8x3.2mm	
R119	2001-000008	R-CARBON:15Kohm,5%,1/8W,AA,TP,1.8x3.2mm	
R120	2001-000273	R-CARBON:100Kohm,5%,1/8W,AA,TP,1.8x3.2m	
R121	2001-000734	R-CARBON:4.7Kohm,5%,1/8W,AA,TP,1.8x3.2m	
R122	2001-000591	R-CARBON:3.3Kohm,5%,1/8W,AA,TP,1.8x3.2m	
R123	2001-000591	R-CARBON:3.3Kohm,5%,1/8W,AA,TP,1.8x3.2m	
R124	2001-000786	R-CARBON:47Kohm,5%,1/8W,AA,TP,1.8x3.2mm	
R127	2001-000290	R-CARBON:10Kohm,5%,1/8W,AA,TP,1.8x3.2mm	
R128	2001-000290	R-CARBON:10Kohm,5%,1/8W,AA,TP,1.8x3.2mm	
R130	2001-000273	R-CARBON:100Kohm,5%,1/8W,AA,TP,1.8x3.2m	
R132	2001-000449	R-CARBON:2.2Kohm,5%,1/8W,AA,TP,1.8x3.2m	
R133	2001-000449	R-CARBON:2.2Kohm,5%,1/8W,AA,TP,1.8x3.2m	
R134	2001-000449	R-CARBON:2.2Kohm,5%,1/8W,AA,TP,1.8x3.2m	
R135	2001-000449	R-CARBON:2.2Kohm,5%,1/8W,AA,TP,1.8x3.2m	
R136	2001-000290	R-CARBON:10Kohm,5%,1/8W,AA,TP,1.8x3.2mm	
R137	2001-000429	R-CARBON:1Kohm,5%,1/8W,AA,TP,1.8x3.2mm	
R138	2001-000449	R-CARBON:2.2Kohm,5%,1/8W,AA,TP,1.8x3.2m	
R139	2001-000429	R-CARBON:1Kohm,5%,1/8W,AA,TP,1.8x3.2mm	
R140	2001-000290	R-CARBON:10Kohm,5%,1/8W,AA,TP,1.8x3.2mm	
R141	2001-000666	R-CARBON:33ohm,5%,1/8W,AA,TP,1.8x3.2mm	
R142	2001-000290	R-CARBON:10Kohm,5%,1/8W,AA,TP,1.8x3.2mm	
R143	2001-000449	R-CARBON:2.2Kohm,5%,1/8W,AA,TP,1.8x3.2m	
R144	2001-000449	R-CARBON:2.2Kohm,5%,1/8W,AA,TP,1.8x3.2m	
R145	2001-000429	R-CARBON:1Kohm,5%,1/8W,AA,TP,1.8x3.2mm	
R146	2001-000429	R-CARBON:1Kohm,5%,1/8W,AA,TP,1.8x3.2mm	
R147	2001-000290	R-CARBON:10Kohm,5%,1/8W,AA,TP,1.8x3.2mm	
R148	2001-000273	R-CARBON:100Kohm,5%,1/8W,AA,TP,1.8x3.2m	
R149	2001-000281	R-CARBON:100ohm,5%,1/8W,AA,TP,1.8x3.2mm	
R150	2001-000454	R-CARBON:2.2Mohm,5%,1/8W,AA,TP,1.8x3.2m	
R151	2001-000281	R-CARBON:100ohm,5%,1/8W,AA,TP,1.8x3.2mm	
R152	2001-000302	R-CARBON:10ohm,5%,1/8W,AA,TP,1.8x3.2mm	
R165	2001-000331	R-CARBON:12Kohm,5%,1/8W,AA,TP,1.8x3.2mm	
R166	2001-000331	R-CARBON:12Kohm,5%,1/8W,AA,TP,1.8x3.2mm	
R190	2001-000802	R-CARBON:5.6Kohm,5%,1/8W,AA,TP,1.8x3.2m	
R198	2001-000290	R-CARBON:10Kohm,5%,1/8W,AA,TP,1.8x3.2mm	
R199	2001-000977	R-CARBON:8.2KOHM,5%,1/8W,AA,TP,1.8x3.2m	
R201	2001-000008	R-CARBON:15Kohm,5%,1/8W,AA,TP,1.8x3.2mm	
R202	2001-000613	R-CARBON:3.9Kohm,5%,1/8W,AA,TP,1.8x3.2m	
R251	2001-000008	R-CARBON:15Kohm,5%,1/8W,AA,TP,1.8x3.2mm	
R252	2001-000613	R-CARBON:3.9Kohm,5%,1/8W,AA,TP,1.8x3.2m	
R301	2001-000449	R-CARBON:2.2Kohm,5%,1/8W,AA,TP,1.8x3.2m	
R302	2001-000429	R-CARBON:1Kohm,5%,1/8W,AA,TP,1.8x3.2mm	
R303	2001-000802	R-CARBON:5.6Kohm,5%,1/8W,AA,TP,1.8x3.2m	
R304	2001-000869	R-CARBON:56ohm,5%,1/8W,AA,TP,1.8x3.2mm	
R305	2001-000429	R-CARBON:1Kohm,5%,1/8W,AA,TP,1.8x3.2mm	
R307	2001-000429	R-CARBON:1Kohm,5%,1/8W,AA,TP,1.8x3.2mm	
R308	2001-000734	R-CARBON:4.7Kohm,5%,1/8W,AA,TP,1.8x3.2m	
R309	2001-000281	R-CARBON:100ohm,5%,1/8W,AA,TP,1.8x3.2mm	
R310	2001-000290	R-CARBON:10Kohm,5%,1/8W,AA,TP,1.8x3.2mm	
R311	2001-000290	R-CARBON:10Kohm,5%,1/8W,AA,TP,1.8x3.2mm	
R312	2001-000290	R-CARBON:10Kohm,5%,1/8W,AA,TP,1.8x3.2mm	
R313	2001-000472	R-CARBON:2.2Kohm,5%,1/8W,AA,TP,1.8x3.2m	
R315	2001-000734	R-CARBON:4.7Kohm,5%,1/8W,AA,TP,1.8x3.2m	
R351	2001-000449	R-CARBON:2.2Kohm,5%,1/8W,AA,TP,1.8x3.2m	
R352	2001-000429	R-CARBON:1Kohm,5%,1/8W,AA,TP,1.8x3.2mm	
R353	2001-000802	R-CARBON:5.6Kohm,5%,1/8W,AA,TP,1.8x3.2m	
R354	2001-000869	R-CARBON:56ohm,5%,1/8W,AA,TP,1.8x3.2mm	
R355	2001-000429	R-CARBON:1Kohm,5%,1/8W,AA,TP,1.8x3.2mm	
R363	2001-000472	R-CARBON:2.7Kohm,5%,1/8W,AA,TP,1.8x3.2m	
R402	2001-000591	R-CARBON:3.3Kohm,5%,1/8W,AA,TP,1.8x3.2m	
R403	2001-001006	R-CARBON:82ohm,5%,1/8W,AA,TP,1.8x3.2mm	
R404	2001-000008	R-CARBON:15Kohm,5%,1/8W,AA,TP,1.8x3.2mm	
R405	2001-000281	R-CARBON:100ohm,5%,1/8W,AA,TP,1.8x3.2mm	
R406	2001-000773	R-CARBON:470Kohm,5%,1/8W,AA,TP,1.8x3.2m	
R407	2001-000508	R-CARBON:220Kohm,5%,1/8W,AA,TP,1.8x3.2m	
R408	2001-000281	R-CARBON:100ohm,5%,1/8W,AA,TP,1.8x3.2mm	
R409	2001-000890	R-CARBON:6.8Kohm,5%,1/8W,AA,TP,1.8x3.2m	
R411	2001-000290	R-CARBON:10Kohm,5%,1/8W,AA,TP,1.8x3.2mm	
R412	2001-000290	R-CARBON:10Kohm,5%,1/8W,AA,TP,1.8x3.2mm	
R413	2001-000290	R-CARBON:10Kohm,5%,1/8W,AA,TP,1.8x3.2mm	
R414	2001-000290	R-CARBON:10Kohm,5%,1/8W,AA,TP,1.8x3.2mm	
R415	2001-000290	R-CARBON:10Kohm,5%,1/8W,AA,TP,1.8x3.2mm	
R416	2401-000907	C-AL:22uF,20%,16V,GP#5*11.5MM,TP	
R431	2001-000005	R-CARBON:390ohm,5%,1/8W,AA,TP,1.8x3.2mm	
R432	2001-000331	R-CARBON:12Kohm,5%,1/8W,AA,TP,1.8x3.2mm	
R433	2001-000374	R-CARBON:150HM,5%,1/4W,AA,TP,2.4x6.4MM	
R434	2001-000281	R-CARBON:100ohm,5%,1/8W,AA,TP,1.8x3.2mm	
R452	2001-000591	R-CARBON:3.3Kohm,5%,1/8W,AA,TP,1.8x3.2m	
R453	2001-001006	R-CARBON:82ohm,5%,1/8W,AA,TP,1.8x3.2mm	
R454	2001-000008	R-CARBON:15Kohm,5%,1/8W,AA,TP,1.8x3.2mm	
R457	2001-000508	R-CARBON:220Kohm,5%,1/8W,AA,TP,1.8x3.2m	
R503	2001-000977	R-CARBON:8.2KOHM,5%,1/8W,AA,TP,1.8x3.2m	
R504	2001-000855	R-CARBON:560ohm,5%,1/4W,AA,TP,2.4x6.4mm	
R505	2001-000449	R-CARBON:2.2Kohm,5%,1/8W,AA,TP,1.8x3.2m	
R506	2001-000325	R-CARBON:120ohm,5%,1/8W,AA,TP,1.8x3.2mm	
R507	2001-000449	R-CARBON:2.2Kohm,5%,1/8W,AA,TP,1.8x3.2m	
R508	2001-000786	R-CARBON:47Kohm,5%,1/8W,AA,TP,1.8x3.2mm	

Location no.	Code no.	Description & Specification	Remarks
R512	2001-000786	R-CARBON:47Kohm,5%,1/8W,AA,TP,1.8x3.2mm	
R513	2001-000786	R-CARBON:47Kohm,5%,1/8W,AA,TP,1.8x3.2mm	
R514	2001-000331	R-CARBON:12Kohm,5%,1/8W,AA,TP,1.8x3.2mm	
R515	2001-000047	R-CARBON:2.2Kohm,5%,1/4W,AA,TP,2.4x6.4mm	
R550	2001-000449	R-CARBON:2.2Kohm,5%,1/8W,AA,TP,1.8x3.2mm	
R553	2001-000977	R-CARBON:8.2Kohm,5%,1/8W,AA,TP,1.8x3.2mm	
R557	2001-000449	R-CARBON:2.2Kohm,5%,1/8W,AA,TP,1.8x3.2mm	
R558	2001-000786	R-CARBON:47Kohm,5%,1/8W,AA,TP,1.8x3.2mm	
R562	2001-000786	R-CARBON:47Kohm,5%,1/8W,AA,TP,1.8x3.2mm	
R563	2001-000786	R-CARBON:47Kohm,5%,1/8W,AA,TP,1.8x3.2mm	
R564	2001-000331	R-CARBON:12Kohm,5%,1/8W,AA,TP,1.8x3.2mm	
R565	2001-000429	R-CARBON:1Kohm,5%,1/8W,AA,TP,1.8x3.2mm	
R601	2001-000429	R-CARBON:1Kohm,5%,1/8W,AA,TP,1.8x3.2mm	
R604	2001-000554	R-CARBON:270ohm,5%,1/8W,AA,TP,1.8x3.2mm	
R605	2001-000429	R-CARBON:1Kohm,5%,1/8W,AA,TP,1.8x3.2mm	
R606	2001-000290	R-CARBON:10Kohm,5%,1/8W,AA,TP,1.8x3.2mm	
R607	2001-000802	R-CARBON:5.6Kohm,5%,1/8W,AA,TP,1.8x3.2mm	
R608	2001-000008	R-CARBON:15Kohm,5%,1/8W,AA,TP,1.8x3.2mm	
R609	2001-000008	R-CARBON:15Kohm,5%,1/8W,AA,TP,1.8x3.2mm	
R610	2001-000290	R-CARBON:10Kohm,5%,1/8W,AA,TP,1.8x3.2mm	
R647	2001-000429	R-CARBON:1Kohm,5%,1/8W,AA,TP,1.8x3.2mm	
R648	2001-000660	R-CARBON:33Kohm,5%,1/8W,AA,TP,1.8x3.2mm	
R649	2001-000745	R-CARBON:47ohm,5%,1/8W,AA,TP,1.8x3.2mm	
R651	2001-000429	R-CARBON:1Kohm,5%,1/8W,AA,TP,1.8x3.2mm	
R654	2001-000554	R-CARBON:270ohm,5%,1/8W,AA,TP,1.8x3.2mm	
R697	2001-000429	R-CARBON:1Kohm,5%,1/8W,AA,TP,1.8x3.2mm	
R698	2001-000660	R-CARBON:33Kohm,5%,1/8W,AA,TP,1.8x3.2mm	
R699	2001-000745	R-CARBON:47ohm,5%,1/8W,AA,TP,1.8x3.2mm	
R700	2003-000775	R-METAL OXIDE(S):68ohm,5%,1W,AA,TP,3.3x9	
R701	2001-000522	R-CARBON:22Kohm,5%,1/8W,AA,TP,1.8x3.2mm	
R702	2001-000241	R-CARBON:1.5Kohm,5%,1/8W,AA,TP,1.8x3.2mm	
R703	2001-000017	R-CARBON:47ohm,5%,1/4W,AA,TP,2.4x6.4mm	
R704	2001-000005	R-CARBON:390ohm,5%,1/8W,AA,TP,1.8x3.2mm	
R705	2001-000734	R-CARBON:4.7Kohm,5%,1/8W,AA,TP,1.8x3.2mm	
R706	2001-000017	R-CARBON:47ohm,5%,1/4W,AA,TP,2.4x6.4mm	
R710	2001-000302	R-CARBON:10ohm,5%,1/8W,AA,TP,1.8x3.2mm	
R902	2001-001146	R-CARBON(S):4.7ohm,5%,1/2W,AA,TP,2.4x6.4	
R902	2003-000500	R-METAL OXIDE(S):150ohm,5%,1W,AA,TP,3.3x	
R903	2001-000522	R-CARBON:22Kohm,5%,1/8W,AA,TP,1.8x3.2mm	
R904	2001-000429	R-CARBON:1Kohm,5%,1/8W,AA,TP,1.8x3.2mm	
R905	2001-000786	R-CARBON:47Kohm,5%,1/8W,AA,TP,1.8x3.2mm	
R906	2001-000702	R-CARBON:39Kohm,5%,1/8W,AA,TP,1.8x3.2mm	
R907	2001-000802	R-CARBON:5.6Kohm,5%,1/8W,AA,TP,1.8x3.2mm	
R908	2001-000449	R-CARBON:2.2Kohm,5%,1/8W,AA,TP,1.8x3.2mm	
R956	2001-000702	R-CARBON:39Kohm,5%,1/8W,AA,TP,1.8x3.2mm	
R957	2001-000802	R-CARBON:5.6Kohm,5%,1/8W,AA,TP,1.8x3.2mm	
R958	2001-000449	R-CARBON:2.2Kohm,5%,1/8W,AA,TP,1.8x3.2mm	
T101	AH81-00445H	TRANS-IF:0331-07989-05,OA-817988,7A121(I	
T102	AH81-00616G	A/S PART-TRANS-IF:7MM,MM-L2,0331-13005-0	
T103	AH81-00616H	A/S PART-TRANS-IF:7MM,MM-L2,0332-10387-0	
T105	AH81-00616J	A/S PART-TRANS-IF:7MM,MM-L2,0332-10388-0	
T431	AH81-00616F	A/S PART-TRANS-IF:10MM,MM-L2,0332-50415-	
X101	2903-000105	FILTER-CERAMIC:10.7MSSG/BP,10.7MHZ+-25KH	
X102	2903-001377	CERAMIC-FILTER:RHC2M2-450BL	
X103	2903-000105	FILTER-CERAMIC:10.7MSSG/BP,10.7MHZ+-25KH	
X104	AH81-00616L	A/S PART-RESONATOR:MM-L2,0363-0456F-09,C	
X105	2801-000734	CRYSTAL-UNIT:7.2MHz,50ppm,28-AA,12pF,30	
ZD102	0403-000354	DIODE-ZENER,UZ5.1B,5.1V,4.8-5.4V,500mW,	
ZD104	0403-000344	DIODE-ZENER,UZ3.9B,3.9V,3.7-4.1V,500mW,	
ZD601	0403-000354	DIODE-ZENER,UZ5.1B,5.1V,4.8-5.4V,500mW,	
ZD602	0403-000354	DIODE-ZENER,UZ3.9B,3.9V,3.7-4.1V,500mW,	
ZD901	0403-000399	DIODE-ZENER,UZ2P.1B,9.1V,8.5-9.6V,1W,DO	
H104	2701-000111	INDUCTOR-AXIAL:100uH,10%,2.5x3.4,LAL02TB	
H106	2701-000111	INDUCTOR-AXIAL:100uH,10%,2.5x3.4,LAL02TB	
H107	2701-000111	INDUCTOR-AXIAL:100uH,10%,2.5x3.4,LAL02TB	
<b>AH81-00615B A/S PART-PCB FRONT ASSY;MM-L2,0001-0MML</b>			
	AH81-00549Y	A/S PART-CABLE-FLAT:0321-10300-GO,-10P-	
	AH81-00551G	A/S PART-HOLDER LCD:0101-45922-00,PBT,WI	
	AH81-00551H	A/S PART-SHEET LCD:0103-43895-00,PVC60.2	
C801	2401-001355	C-AL:470uF,20%,10V,GP,8x11.5,5MM,TP	
C802	2401-000240	C-AL:100uF,20%,10V,GP,5*11mm,5mm,TP	
C803	2201-000381	C-CERAMIC,DISC:22nF,+80%,-20% 50V Y5V 8.	
C804	2201-000381	C-CERAMIC,DISC:22nF,+80%,-20% 50V Y5V 8.	
C805	2401-000759	C-AL:220nF,20%,50V,GP,5X11MM,5MM,TP	
C806	2401-001952	C-AL:4.7uF,20%,50V,GP,5*7.5mm,TP	
C807	2201-000381	C-CERAMIC,DISC:22nF,+80%,-20% 50V Y5V 8.	
C808	2201-000247	C-CERAMIC,DISC:0.015nF,5%,50V,NP0,TP,5x3	
C809	2201-000247	C-CERAMIC,DISC:0.015nF,5%,50V,NP0,TP,5x3	
C810	2201-000389	C-CERAMIC,DISC:0.022nF,5%,50V,NP0,TP,5x3	
C811	2201-000389	C-CERAMIC,DISC:0.022nF,5%,50V,NP0,TP,5x3	
C814	2201-000381	C-CERAMIC,DISC:22nF,+80%,-20% 50V Y5V 8.	
C815	2401-000240	C-AL:100uF,20%,10V,GP,5*11mm,5mm,TP	
C816	2201-000381	C-CERAMIC,DISC:22nF,+80%,-20% 50V Y5V 8.	
CNP801	AH81-00616M	A/S PART-CONNECTOR-HEADER,MM-L2,0321-020	
CNP802	AH81-00616N	A/S PART-CONNECTOR ASSY;MM-L2,0321-0805	
CNP803	AH81-00616P	A/S PART-CONNECTOR ASSY;MM-L2,0321-0605	
CT/PCB	AH81-00612C	A/S PART-PCB FRONT BOARD;MM-L2,0320-MML2	
D801	0401-000101	DIODE-SWITCHING;1N4148,100V,200mA,DO-35,	
D802	0401-000101	DIODE-SWITCHING;1N4148,100V,200mA,DO-35,	
D803	0401-000101	DIODE-SWITCHING;1N4148,100V,200mA,DO-35,	
D807	AH81-00383K	DIODE-RECTIFIER FIER;0344-14004-08,I	
D808	AH81-00383K	DIODE-RECTIFIER FIER;0344-14004-08,I	

Location no.	Code no.	Description & Specification	Remarks
IC801	AH81-00549A	A/S PART-MASK-ROM:0330-P7248-02,LC867232	
L801	2703-000001	INDUCTOR-SMD:10uH,10%,2.5x3.2x2mm	
LAMP801	4713-000158	LAMP-NEON:9V,75mA,0.7W,TRP,3x5.3mm,-,	
LAMP802	4713-000158	LAMP-NEON:9V,75mA,0.7W,TRP,3x5.3mm,-,	
LAMP803	4713-000158	LAMP-NEON:9V,75mA,0.7W,TRP,3x5.3mm,-,	
LCD801	AH81-00668A	A/S PART-LCD:0347-40107-18,TCM-2850,L2/L	
LED801	AH81-00616Q	A/S PART-LED;-0346-10001-00,3MM,ROU,-,-	
Q801	0501-000398	TR-SMALL SIGNAL;KSC945,NPN,250mW,TO-92,T	
Q807	0501-000398	TR-SMALL SIGNAL;KSC945,NPN,250mW,TO-92,T	
R800	2001-000734	R-CARBON:4.7Kohm,5%,1/8W,AA,TP,1.8x3.2m	
R801	2001-000105	R-CARBON:1.5Kohm,5%,1/4W,AA,TP,2.4x6.4m	
R801	2001-000515	R-CARBON:220ohm,5%,1/8W,AA,TP,1.8x3.2mm	
R802	2001-000508	R-CARBON:220Kohm,5%,1/8W,AA,TP,1.8x3.2m	
R803	2001-000449	R-CARBON:2.2Kohm,5%,1/8W,AA,TP,1.8x3.2m	
R804	2001-000890	R-CARBON:6.8Kohm,5%,1/8W,AA,TP,1.8x3.2m	
R805	2001-000429	R-CARBON:1Kohm,5%,1/8W,AA,TP,1.8x3.2mm	
R806	2001-000857	R-CARBON:560ohm,5%,1/8W,AA,TP,1.8x3.2mm	
R807	2001-000290	R-CARBON:10Kohm,5%,1/8W,AA,TP,1.8x3.2mm	
R809	2001-000105	R-CARBON:1.5Kohm,5%,1/4W,AA,TP,2.4x6.4m	
R810	2001-000472	R-CARBON:2.7Kohm,5%,1/8W,AA,TP,1.8x3.2m	
R811	2001-000591	R-CARBON:3.3Kohm,5%,1/8W,AA,TP,1.8x3.2m	
R812	2001-000802	R-CARBON:5.6Kohm,5%,1/8W,AA,TP,1.8x3.2m	
R813	2001-000105	R-CARBON:1.5Kohm,5%,1/4W,AA,TP,2.4x6.4m	
R814	2001-000105	R-CARBON:1.5Kohm,5%,1/4W,AA,TP,2.4x6.4m	
R815	2001-000472	R-CARBON:2.7Kohm,5%,1/8W,AA,TP,1.8x3.2m	
R816	2001-000591	R-CARBON:3.3Kohm,5%,1/8W,AA,TP,1.8x3.2m	
R817	2001-000802	R-CARBON:5.6Kohm,5%,1/8W,AA,TP,1.8x3.2m	
R818	2001-000290	R-CARBON:10Kohm,5%,1/8W,AA,TP,1.8x3.2mm	
R819	2001-000290	R-CARBON:10Kohm,5%,1/8W,AA,TP,1.8x3.2mm	
R820	2001-000290	R-CARBON:10Kohm,5%,1/8W,AA,TP,1.8x3.2mm	
R821	2001-000105	R-CARBON:1.5Kohm,5%,1/4W,AA,TP,2.4x6.4m	
R822	2001-000105	R-CARBON:1.5Kohm,5%,1/4W,AA,TP,2.4x6.4m	
R823	2001-000472	R-CARBON:2.7Kohm,5%,1/8W,AA,TP,1.8x3.2m	
R824	2001-000591	R-CARBON:3.3Kohm,5%,1/8W,AA,TP,1.8x3.2m	
R825	2001-000802	R-CARBON:5.6Kohm,5%,1/8W,AA,TP,1.8x3.2m	
R826	2001-000105	R-CARBON:1.5Kohm,5%,1/4W,AA,TP,2.4x6.4m	
R827	2001-000591	R-CARBON:3.3Kohm,5%,1/8W,AA,TP,1.8x3.2m	
R828	2001-000802	R-CARBON:5.6Kohm,5%,1/8W,AA,TP,1.8x3.2m	
R829	2001-000802	R-CARBON:5.6Kohm,5%,1/8W,AA,TP,1.8x3.2m	
R830	2001-000290	R-CARBON:10Kohm,5%,1/8W,AA,TP,1.8x3.2mm	
R831	2001-000105	R-CARBON:1.5Kohm,5%,1/4W,AA,TP,2.4x6.4m	
R832	2001-000105	R-CARBON:1.5Kohm,5%,1/4W,AA,TP,2.4x6.4m	
R833	2001-000472	R-CARBON:2.7Kohm,5%,1/8W,AA,TP,1.8x3.2m	
R834	2001-000591	R-CARBON:3.3Kohm,5%,1/8W,AA,TP,1.8x3.2m	
R835	2001-000802	R-CARBON:5.6Kohm,5%,1/8W,AA,TP,1.8x3.2m	
R836	2001-000449	R-CARBON:2.2Kohm,5%,1/8W,AA,TP,1.8x3.2m	
R842	2001-000449	R-CARBON:2.2Kohm,5%,1/8W,AA,TP,1.8x3.2m	
R846	2001-000449	R-CARBON:2.2Kohm,5%,1/8W,AA,TP,1.8x3.2m	
R847	2001-000290	R-CARBON:10Kohm,5%,1/8W,AA,TP,1.8x3.2mm	
R848	2001-000472	R-CARBON:2.7Kohm,5%,1/8W,AA,TP,1.8x3.2m	
R849	2001-000105	R-CARBON:1.5Kohm,5%,1/4W,AA,TP,2.4x6.4m	
R852	2001-000850	R-CARBON:560Kohm,5%,1/8W,AA,TP,1.8x3.2m	
R853	2001-000295	R-CARBON:10MOHM,5%,1/8W,AA,TP,1.8*3.2	
R854	2001-000435	R-CARBON:1Mohm,5%,1/8W,AA,TP,1.8x3.2mm	
R880	2001-000429	R-CARBON:1Kohm,5%,1/8W,AA,TP,1.8x3.2mm	
R881	2001-000924	R-CARBON:680ohm,5%,1/8W,AA,TP,1.8x3.2mm	
REM801	AH81-00668B	A/S PART-MODULE-REMOCON:0372-M28RK-00,GP	
SW801	3404-000165	SWITCH-TACT:12V,50mA,160gf,SKHV10910A	
SW802	3404-000165	SWITCH-TACT:12V,50mA,160gf,SKHV10910A	
SW803	3404-000165	SWITCH-TACT:12V,50mA,160gf,SKHV10910A	
SW804	3404-000165	SWITCH-TACT:12V,50mA,160gf,SKHV10910A	
SW807	3404-000165	SWITCH-TACT:12V,50mA,160gf,SKHV10910A	
SW808	3404-000165	SWITCH-TACT:12V,50mA,160gf,SKHV10910A	
SW810	3404-000165	SWITCH-TACT:12V,50mA,160gf,SKHV10910A	
SW811	3404-000165	SWITCH-TACT:12V,50mA,160gf,SKHV10910A	
SW813	3404-000165	SWITCH-TACT:12V,50mA,160gf,SKHV10910A	
SW814	3404-000165	SWITCH-TACT:12V,50mA,160gf,SKHV10910A	
SW815	3404-000165	SWITCH-TACT:12V,50mA,160gf,SKHV10910A	
SW816	3404-000165	SWITCH-TACT:12V,50mA,160gf,SKHV10910A	
SW817	3404-000165	SWITCH-TACT:12V,50mA,160gf,SKHV10910A	
SW818	3404-000165	SWITCH-TACT:12V,50mA,160gf,SKHV10910A	
SW819	3404-000165	SWITCH-TACT:12V,50mA,160gf,SKHV10910A	
X801	2802-000181	RESONATOR-CERAMIC:6MHz,0.3%,BK,9.0X4.0X7	
X802	2801-001394	CRYSTAL-UNIT:32.768KHz,20ppm,28-AA,Y,12.5	
<b>AH81-00615C A/S PART-PCB POWER ASSY;MM-L2,0001-0MML</b>			
	3602-000147	FUSE-CLIP:250V,7.5A,30mohm	
C700	2401-001928	C-AL:2200uF,20%,35V,GP,16x31mm,7.5m	
C701	2201-000381	C-CERAMIC,DISC:22nF,+80%,-20% 50V Y5V 8.	
C702	2201-000381	C-CERAMIC,DISC:22nF,+80%,-20% 50V Y5V 8.	
C703	2201-000381	C-CERAMIC,DISC:22nF,+80%,-20% 50V Y5V 8.	
C704	2201-000381	C-CERAMIC,DISC:22nF,+80%,-20% 50V Y5V 8.	
C710	2401-001990	C-AL:10uF,20%,25V,BP,5*11.5MM,TP	
C711	2401-000588	C-AL:1uF,20%,50V,GP,3*5.2,5MM,TP	
CN701	AH81-00668Y	A/S PART-CONNECTOR-HEADER AC--0321-03050	
CN702	AH81-00616R	A/S PART-CONNECTOR-HEADER;MM-L2,0321-041	
D701	0402-000157	DIODE-RECTIFIER;1N5402,200V,3A,DO-2	
D702	0402-000157	DIODE-RECTIFIER;1N5402,200V,3A,DO-2	
D703	0402-000157	DIODE-RECTIFIER;1N5402,200V,3A,DO-2	
D704	0402-000157	DIODE-RECTIFIER;1N5402,200V,3A,DO-2	
D705	AH81-00383K	DIODE-RECTIFIER FIER;0344-14004-08,I	
F1	3601-000216	FUSE-CARTRIDGE:250V,2.5A,TIME-LAG,GLASS,	
F3	3601-000268	FUSE-CARTRIDGE:250V,315mA,TIME-LAG,GLASS	

Location no.	Code no.	Description & Specification	Remarks
R707	2001-000890	R-CARBON:6.8Kohm,5%,1/8W,AA,TP,1.8x3.2m	
R708	2001-000734	R-CARBON:4.7Kohm,5%,1/8W,AA,TP,1.8x3.2m	
R709	2001-000734	R-CARBON:4.7Kohm,5%,1/8W,AA,TP,1.8x3.2m	
R750	2001-000429	R-CARBON:1Kohm,5%,1/8W,AA,TP,1.8x3.2mm	
ZD702	0403-000354	DIODE-ZENER:UZ1.B.1V,4.8-5.4V,500mW,	

**AH81-00615D A/S PART-MIC ASS'Y;MM-L2,0001-0MML2-05,M**

AJ2	AH81-00384K	JACK-PHONE,MC,0322-10160-00,EJS-3-0435,	
C204	2401-002180	C-AL,2.2uF,20%,50V,GP5*11,5mm,TP	
C210	2401-002180	C-AL,2.2uF,20%,50V,GP5*11,5mm,TP	
C211	2201-000300	C-CERAMIC,DISC:1nF,20%,50V,Y5T,TP,5x3,5	
C212	2401-002180	C-AL,2.2uF,20%,50V,GP5*11,5mm,TP	
C213	2401-001364	C-AL,470uF,20%,16V,GP10x12.5,5MM,T	
C220	2401-002180	C-AL,2.2uF,20%,50V,GP5*11,5mm,TP	
Q203	0501-000398	TR-SMALL SIGNAL,KSC945,NPN,250mW,TO-92,T	
Q210	0501-000398	TR-SMALL SIGNAL,KSC945,NPN,250mW,TO-92,T	
Q211	0501-000398	TR-SMALL SIGNAL,KSC945,NPN,250mW,TO-92,T	
R209	2001-000429	R-CARBON:1Kohm,5%,1/8W,AA,TP,1.8x3.2mm	
R210	2001-000003	R-CARBON:330ohm,5%,1/8W,AA,TP,1.8x3.2mm	
R211	2001-000773	R-CARBON:470Kohm,5%,1/8W,AA,TP,1.8x3.2m	
R212	2001-000302	R-CARBON:10ohm,5%,1/8W,AA,TP,1.8x3.2mm	
R214	2001-000802	R-CARBON:5.6Kohm,5%,1/8W,AA,TP,1.8x3.2m	
R215	2001-000773	R-CARBON:470Kohm,5%,1/8W,AA,TP,1.8x3.2m	
R217	2001-000802	R-CARBON:5.6Kohm,5%,1/8W,AA,TP,1.8x3.2m	
R219	2001-000773	R-CARBON:470Kohm,5%,1/8W,AA,TP,1.8x3.2m	
R220	2001-000924	R-CARBON:680ohm,5%,1/8W,AA,TP,1.8x3.2mm	
R221	2001-000924	R-CARBON:680ohm,5%,1/8W,AA,TP,1.8x3.2mm	
L102	AH81-00615G	A/S PART-PCB OPT-MAIN ASS'Y;MM-L2,MML2QH	S.N.A.
	AH81-00616K	A/S PART-COIL SPRING: 0332-20015-00,3,5	
	AH81-00615J	A/S PART-TAPE DECK ASS'Y;MM-L2,CASSETTE-	
DECK	AH59-20006W	DECK-CASSETTE:Y2I2Z-SC-63,MM-L2,-,DC 1	
TO-MAIN PCB	AH81-00616X	A/S PART-CONNECTOR ASS'Y;MM-L2,0321-0825	

**AH92-01300E ASSY PCB-CD PACK;MM-L4,G3HI-1CD,TOP-LOAD**

	AH81-00551P	A/S PART- CDP ASS'Y;0001-0MML4-06,CD-COM	
	3409-001078	LEAF SWITCH,MSWI-1731-CVCA	
	AH81-00568P	A/S PART-C-CONNECTOR-CABLE,0321-16085-E0,-	
C101	2401-001893	C-AL:100uF,20%,16V,GP6*7,5MM,TP	
C102	2203-000048	C-CERAMIC,CHIP:1nF,10%,50V,X7R,TP,1608	
C103	2203-000257	C-CERAMIC,CHIP:10nF,10%,50V,X7R,TP,1608	
C104	2203-000667	C-CERAMIC,CHIP:27nF,10%,16V,X7R,TP,1608,	
C107	2401-001893	C-AL,100uF,20%,16V,GP6*7,5MM,TP	
C108	2401-001474	C-AL:47uF,20%,10V,GP6*7,5MM,TP	
C108A	2401-001474	C-AL:47uF,20%,10V,GP6*7,5MM,TP	
C109	2203-001140	C-CERAMIC,CHIP:68nF,10%,16V,X7R,TP,1608,	
C110	2203-001402	C-CERAMIC,CHIP:220nF,+80-20%,16V,Y5V,TP,	
C111	2203-001103	C-CERAMIC,CHIP:6.8nF,10%,50V,X7R,TP,1608	
C112	2203-001652	C-CERAMIC,CHIP:470nF,+80-20%,16V,Y5V,TP,	
C113	2203-000280	C-CERAMIC,CHIP:10PF,0.5PF,50V,NPO,TP	
C114	2203-001103	C-CERAMIC,CHIP:6.8nF,10%,50V,X7R,TP,1608	
C114A	2401-001952	C-AL,4.7uF,20%,50V,GP5*7,5mm,TP	
C115	2203-005005	C-CERAMIC,CHIP,100NF,10%,16C,X7R,TP,1608	
C116	2203-000800	C-CERAMIC,CHIP,33nF,10%,25V,X7R,TP,1608	
C117	2203-000048	C-CERAMIC,CHIP:1nF,10%,50V,X7R,TP,1608	
C118	2203-000800	C-CERAMIC,CHIP:33nF,10%,25V,X7R,TP,1608	
C121	2203-000140	C-CERAMIC,CHIP:1.5nF,10%,50V,X7R,TP,1608	
C123	2401-000459	C-AL,10uF,20%,35V,GP5*7,5mm,TP	
C125	2203-000851	C-CERAMIC,CHIP,0.039nF,5%,50V,NPO,TP,160	
C126	2203-000491	C-CERAMIC,CHIP,2.2NF,10%,50V,X7R,1608,-	
C126A	2203-000851	C-CERAMIC,CHIP,0.039nF,5%,50V,NPO,TP,160	
C127	2203-005194	C-CERAMIC,CHIP,220nF,10%,50V,X7R,TP,1608	
C127A	2203-000851	C-CERAMIC,CHIP,0.039nF,5%,50V,NPO,TP,160	
C129	2203-005005	C-CERAMIC,CHIP,100NF,10%,16C,X7R,TP,1608	
C130	2203-005005	C-CERAMIC,CHIP,100NF,10%,16C,X7R,TP,1608	
C131	2203-005005	C-CERAMIC,CHIP,100NF,10%,16C,X7R,TP,1608	
C132	2401-001893	C-AL,100uF,20%,16V,GP6*7,5MM,TP	
C132A	2203-005005	C-CERAMIC,CHIP,100NF,10%,16C,X7R,TP,1608	
C133	2401-001893	C-AL,100uF,20%,16V,GP6*7,5MM,TP	
C134	2203-000257	C-CERAMIC,CHIP,10NF,10%,50V,X7R,TP,1608	
C139	2203-000592	C-CERAMIC,CHIP,0.22nF,5%,50V,NPO,TP,1608	
C201	2203-000681	C-CERAMIC,CHIP,27pF,5%,50V,NPO,TP,1608,-	
C202	2203-000681	C-CERAMIC,CHIP,27pF,5%,50V,NPO,TP,1608,-	
C203	2203-001652	C-CERAMIC,CHIP,470nF,+80-20%,16V,Y5V,TP,	
C204	2203-005005	C-CERAMIC,CHIP,100NF,10%,16C,X7R,TP,1608	
C205	2203-005005	C-CERAMIC,CHIP,100NF,10%,16C,X7R,TP,1608	
C206	2401-001893	C-AL,100uF,20%,16V,GP6*7,5MM,TP	
C207	2203-000257	C-CERAMIC,CHIP,10NF,10%,50V,X7R,TP,1608	
C208	2203-000851	C-CERAMIC,CHIP,0.039nF,5%,50V,NPO,TP,160	
C209	2203-000048	C-CERAMIC,CHIP:1nF,10%,50V,X7R,TP,1608	
C211	2203-005005	C-CERAMIC,CHIP,100NF,10%,16C,X7R,TP,1608	
C212	2401-001893	C-AL,100uF,20%,16V,GP6*7,5MM,TP	
C213	2203-000257	C-CERAMIC,CHIP,10NF,10%,50V,X7R,TP,1608	
C215	2401-001893	C-AL,100uF,20%,16V,GP6*7,5MM,TP	
C216	2203-000257	C-CERAMIC,CHIP,10NF,10%,50V,X7R,TP,1608	
C217	2401-001893	C-AL,100uF,20%,16V,GP6*7,5MM,TP	
C218	2203-000257	C-CERAMIC,CHIP,10NF,10%,50V,X7R,TP,1608	
C219	2401-001893	C-AL,100uF,20%,16V,GP6*7,5MM,TP	
C245	2003-001140	C-CERAMIC,CHIP,68nF,10%,16V,X7R,TP,1608,	
C301	2401-001365	C-AL,470uF,20%,10V,GP8x11.5,5MM,TP	
C303	2401-001893	C-AL,100uF,20%,16V,GP6*7,5MM,TP	
C304	2203-000257	C-CERAMIC,CHIP,10NF,10%,50V,X7R,TP,1608	

Location no.	Code no.	Description & Specification	Remarks
C305	2203-000257	C-CERAMIC,CHIP:10NF,10%,50V,X7R,TP,1608	
C307	2401-001893	C-AL,100uF,20%,16V,GP6*7,5MM,TP	
C501L	2401-001917	C-AL,1uF,20%,50V,GP4*7,5MM,TP	
C501R	2401-001917	C-AL,1uF,20%,50V,GP4*7,5MM,TP	
C503L	2203-000048	C-CERAMIC,CHIP:1nF,10%,50V,X7R,TP,1608	
C503R	2203-000048	C-CERAMIC,CHIP:1nF,10%,50V,X7R,TP,1608	
C505	2203-000257	C-CERAMIC,CHIP:10NF,10%,50V,X7R,TP,1608	
CW101	AH81-00568N	A/S PART-CONNECTOR-HEADER,0321-16021-E0,	
CW105	AH81-00568L	A/S PART-CONNECTOR-HEADER,0321-10137-G0,	
CW106	AH81-00568M	A/S PART-CONNECTOR-HEADER,0321-08012-80,	
J1	2007-000070	R-CHIP:0ohm,5%,1/16W,DA,TP,1608	
J10	2007-000070	R-CHIP:0ohm,5%,1/16W,DA,TP,1608	
J11	2007-000070	R-CHIP:0ohm,5%,1/16W,DA,TP,1608	
J12	2007-000070	R-CHIP:0ohm,5%,1/16W,DA,TP,1608	
J13	2007-000070	R-CHIP:0ohm,5%,1/16W,DA,TP,1608	
J14	2007-000070	R-CHIP:0ohm,5%,1/16W,DA,TP,1608	
J15	2007-000070	R-CHIP:0ohm,5%,1/16W,DA,TP,1608	
J16	2007-000070	R-CHIP:0ohm,5%,1/16W,DA,TP,1608	
J17	2007-000070	R-CHIP:0ohm,5%,1/16W,DA,TP,1608	
J19	2007-000029	R-CHIP:0OHM,5%,1/10W,DA,TP,2012	
J2	2007-000070	R-CHIP:0ohm,5%,1/16W,DA,TP,1608	
J20	2007-000029	R-CHIP:0OHM,5%,1/10W,DA,TP,2012	
J21	2007-000029	R-CHIP:0OHM,5%,1/10W,DA,TP,2012	
J22	2007-000029	R-CHIP:0OHM,5%,1/10W,DA,TP,2012	
J23	2007-000029	R-CHIP:0OHM,5%,1/10W,DA,TP,2012	
J24	2007-000029	R-CHIP:0OHM,5%,1/10W,DA,TP,2012	
J25	2007-000029	R-CHIP:0OHM,5%,1/10W,DA,TP,2012	
J26	2007-000029	R-CHIP:0OHM,5%,1/10W,DA,TP,2012	
J27	2007-000029	R-CHIP:0OHM,5%,1/10W,DA,TP,2012	
J28	2007-000029	R-CHIP:0OHM,5%,1/10W,DA,TP,2012	
J29	2007-000029	R-CHIP:0OHM,5%,1/10W,DA,TP,2012	
J3	2007-000070	R-CHIP:0ohm,5%,1/16W,DA,TP,1608	
J30	2007-000029	R-CHIP:0OHM,5%,1/10W,DA,TP,2012	
J31	2007-000029	R-CHIP:0OHM,5%,1/10W,DA,TP,2012	
J32	2007-000029	R-CHIP:0OHM,5%,1/10W,DA,TP,2012	
J33	2007-000029	R-CHIP:0OHM,5%,1/10W,DA,TP,2012	
J34	2007-000029	R-CHIP:0OHM,5%,1/10W,DA,TP,2012	
J4	2007-000070	R-CHIP:0ohm,5%,1/16W,DA,TP,1608	
J5	2007-000070	R-CHIP:0ohm,5%,1/16W,DA,TP,1608	
J6	2007-000070	R-CHIP:0ohm,5%,1/16W,DA,TP,1608	
J7	2007-000070	R-CHIP:0ohm,5%,1/16W,DA,TP,1608	
J8	2007-000070	R-CHIP:0ohm,5%,1/16W,DA,TP,1608	
J9	2007-000070	R-CHIP:0ohm,5%,1/16W,DA,TP,1608	
JW10	2001-000456	R-CARBON:2.2ohm,5%,1/4W,AA,TP,2.4x6.4mm	
L300	2701-000111	INDUCTOR-AXIAL:100uH,10%,2.5x3.4,LAL02TB	
Q101	0501-000314	TR-SMALL SIGNAL:KSA812,PNP,150mW,SOT-23,	
Q301	0501-000610	TR-SMALL SIGNAL:KSA928A-Y,PNP,1W,TO-92L,	
Q302	0501-000010	TR-SMALL SIGNAL,KSC1008,NPN,800mW,TO-92,	
R101	2007-000098	R-CHIP:58Kohm,5%,1/16W,DA,TP,1608	
R102	2007-000098	R-CHIP:58Kohm,5%,1/16W,DA,TP,1608	
R103	2007-000098	R-CHIP:58Kohm,5%,1/16W,DA,TP,1608	
R104	2007-000098	R-CHIP:58Kohm,5%,1/16W,DA,TP,1608	
R107	2007-001216	R-CHIP:820HM,5%,1/10W,DA,TP,2012	
R108	2007-001216	R-CHIP:820HM,5%,1/10W,DA,TP,2012	
R110	2007-000092	R-CHIP:15Kohm,5%,1/16W,DA,TP,1608	
R112	2007-001196	R-CHIP:820Kohm,5%,1/16W,DA,TP,1608	
R113	2007-000132	R-CHIP:180Kohm,5%,1/16W,DA,TP,1608	
R114	2007-000100	R-CHIP:68Kohm,5%,1/16W,DA,TP,1608	
R115	2007-001179	R-CHIP:8.2Kohm,5%,1/16W,DA,TP,1608	
R116	2007-000093	R-CHIP:20Kohm,5%,1/16W,DA,TP,1608	
R118	2007-000109	R-CHIP:1Mohm,5%,1/16W,DA,TP,1608	
R119	2007-000101	R-CHIP:82Kohm,5%,1/16W,DA,TP,1608	
R120	2007-000101	R-CHIP:82Kohm,5%,1/16W,DA,TP,1608	
R121	2007-000458	R-CHIP:18Kohm,5%,1/16W,DA,TP,1608	
R123	2007-000097	R-CHIP:47Kohm,5%,1/16W,DA,TP,1608	
R124	2007-000103	R-CHIP:120Kohm,5%,1/16W,DA,TP,1608	
R125	2007-000103	R-CHIP:120Kohm,5%,1/16W,DA,TP,1608	
R126	2007-000098	R-CHIP:58Kohm,5%,1/16W,DA,TP,1608	
R127	2007-000101	R-CHIP:82Kohm,5%,1/16W,DA,TP,1608	
R128	2007-000129	R-CHIP:27Kohm,5%,1/16W,DA,TP,1608	
R128A	2007-000101	R-CHIP:82Kohm,5%,1/16W,DA,TP,1608	
R129	2007-000097	R-CHIP:47Kohm,5%,1/16W,DA,TP,1608	
R132	2007-000300	R-CHIP:10KOHM,5%,1/10W,DA,TP,2012	
R133	2007-000300	R-CHIP:10KOHM,5%,1/10W,DA,TP,2012	
R139	2007-000098	R-CHIP:58Kohm,5%,1/16W,DA,TP,1608	
R200	2007-000097	R-CHIP:47Kohm,5%,1/16W,DA,TP,1608	
R202	2007-000109	R-CHIP:1Mohm,5%,1/16W,DA,TP,1608	
R207	2007-000309	R-CHIP:10ohm,5%,1/16W,DA,TP,1608	
R209	2007-000078	R-CHIP:1Kohm,5%,1/16W,DA,TP,1608	
R210	2007-000078	R-CHIP:1Kohm,5%,1/16W,DA,TP,1608	
R211	2007-000078	R-CHIP:1Kohm,5%,1/16W,DA,TP,1608	
R212	2007-000078	R-CHIP:1Kohm,5%,1/16W,DA,TP,1608	
R213	2007-000078	R-CHIP:1Kohm,5%,1/16W,DA,TP,1608	
R271	2007-000074	R-CHIP:100ohm,5%,1/16W,DA,TP,1608	
R301	2001-001086	R-CARBON(S):2.2ohm,5%,1/2W,AA,TP,2.4x6.4	
R506L	2007-000102	R-CHIP:100Kohm,5%,1/16W,DA,TP,1608	

Location no.	Code no.	Description & Specification	Remarks
WIC101	1204-001799	IC-ASP:KB9226.LQFP:48P:393MIL,PLASTIC	
WIC201	0904-001524	IC-DSP:5L9290,-,QFP:48P:472MIL,16.934	
WIC301	1003-000179	IC-MOTOR DRIVER:0330-09258-D15,KA9258D,S	
X201	2802-000210	RESONATOR-CERAMIC:16.93MHz,0.5%,BK,10.0x	
ZD301	0403-000344	DIODE-ZENER:UZ3.9B,3.9V,3.7-4.1V,500mW,	
	AH81-00568R	A/S PART-CD MECHA:0115-6MML4-00,B31TG6U,	
AM/ANT	AH42-20001Q	LOOP-ANT:KS980214,18.5UH,CONNECTOR-2P	
RMC	AH59-00043N	REMOCON-ASSY:MM-L2,SAMSUNG,-,-,22KEY,-,-	

### \*\*\*\* MM-L4 Parts List \*\*\*\*

	AH59-20006H	CASSETTE-DECK:ADR241CSR AUTO STOP DECK	
	AH81-00581B	A/S PART-SPEAKER SYSTEM ASSY:0002-OMML4	
	AH81-00569C	A/S PART-SPEAKER L ASSY:PS L4H,WOOD,-	
	AH81-00570A	A/S PART-SPEAKER R ASSY:PS L4H,WOOD,-	
	AH81-00562A	A/S PART-DECO SPEAKER:0101-45924-00,PS,W	
	AH81-00571A	A/S PART-SPEAKER-GENERAL:0119-OMML4-00,-	
TRANS-POWER	AH81-00568U	0326-46600-46,230V/50HZ,10W	MM-L4 EUROPE
	AH81-00610A	0326-46600-49,120V/60HZ,10W	MM-L4 U.S.A/XAX
	AH81-00601X	0326-46600-43,230V/50HZ,12.5W	MM-L4 RUSSIA
	AH81-00601Y	0326-46600-50,120/230V,50HZ,10W	MM-L4 UMG
A/C CORD	AH81-00616W	0349-30005-94,KKJ1004A	MM-L2/L4 EUROPE
	AH81-00601C	0349-30005-96,KJ-10W	MM-L2/L4 SEM
	AH81-00601D	0349-30005-97,H.P.I.BS6500	MM-L2/L4 U.K

### AH92-01300C ASSY PCB-PCB POWER;MM-L4,0001-OMML4-03

D4	0402-000157	DIODE-RECTIFIER:1N5402,200V,3A,DO-2	
D3	0402-000157	DIODE-RECTIFIER:1N5402,200V,3A,DO-2	
D2	0402-000157	DIODE-RECTIFIER:1N5402,200V,3A,DO-2	
D1	0402-000157	DIODE-RECTIFIER:1N5402,200V,3A,DO-2	
D7	0403-000393	DIODE-ZENER:UZP5.1B,5.1V,4.8-5.4V,1W,DO	
R4	2001-000047	R-CARBON:2.2Kohm,5%,1/4W,AA,TP,2.4x6.4mm	
R1	2001-000522	R-CARBON:2.2Kohm,5%,1/8W,AA,TP,1.8x3.2mm	
R5	2001-000588	R-CARBON:3.3Kohm,5%,1/4W,AA,TP,2.4x6.4mm	
R2	2001-000591	R-CARBON:3.3Kohm,5%,1/8W,AA,TP,1.8x3.2mm	
R3	2001-000734	R-CARBON:4.7Kohm,5%,1/8W,AA,TP,1.8x3.2mm	
C9	2201-000546	C-CERAMIC,DISC:4.7nF,20%,400V,YSU,16.0*7	
C11	2201-000546	C-CERAMIC,DISC:4.7nF,20%,400V,YSU,16.0*7	
C10	2201-000546	C-CERAMIC,DISC:4.7nF,20%,400V,YSU,16.0*7	
C2	2401-000475	C-AL:10uF,20%,50V,GP,5*11.5mm,TP	
C1	2401-001022	C-AL:3.3uF,20%,50V,SME,5*11.5mm,TP	
C12	2401-001886	C-AL:1000uF,20%,35V,GP,16x25mm,5mm,	
C7	2401-001912	C-AL:1uF,20%,50V,GP,5*11.5mm,TP	
F1	3601-000263	FUSE-CARTRIDGE:250V,3.15A,TIME-LAG,GLASS	
F3	3601-000304	FUSE-CARTRIDGE:250V,630mA,TIME-LAG,GLASS	
	3602-000147	FUSE-CLIP:250V,7.5A,30mmhm	
Q1	AH81-00383H	TR-SMALL:0329-9014C-17,SS9014C,-,-,-	
D7	AH81-00383K	DIODE-RECTIFIER FIER:0344-14004-08,I	
D5	AH81-00383K	DIODE-RECTIFIER FIER:0344-14004-08,I	
CN3	AH81-00568G	A/S PART-CONNECTOR-HEADER:0321-05132-10,	
P-LED	AH81-00568X	A/S PART-PCB-POWER BOARD:0320-MML4-03-00,-	
CN2	AH81-00568Y	A/S PART-CONNECTOR-HEADER AC--0321-03050	

### AH92-01300E ASSY PCB-CD PACK;MM-L4,G3HI-1CD,TOP-LOAD

ZD301	AH81-00551P	A/S PART- CDP ASSY:0001-OMML4-06,CD-COM	
Q302	0403-000344	DIODE-ZENER:UZ3.9B,3.9V,3.7-4.1V,500mW,	
Q101	0501-000010	TR-SMALL SIGNAL:KSC1008,NPN,800mI,W,TO-92,	
Q301	0501-000610	TR-SMALL SIGNAL:KSA812,PNP,150mI,W,SOT-23,	
WIC201	0904-001524	IC-DSP:5L9290,-,QFP:48P:472MIL,16.934	
WIC301	1003-000179	IC-MOTOR DRIVER:0330-09258-D15,KA9258D,S	
WIC101	1204-001799	IC-ASP:KB9226.LQFP:48P:393MIL,PLASTIC	
R804	2001-000429	R-CARBON:1Kohm,5%,1/8W,AA,TP,1.8x3.2mm	
R803	2001-000429	R-CARBON:1Kohm,5%,1/8W,AA,TP,1.8x3.2mm	
R802	2001-000429	R-CARBON:1Kohm,5%,1/8W,AA,TP,1.8x3.2mm	
R801	2001-000429	R-CARBON:1Kohm,5%,1/8W,AA,TP,1.8x3.2mm	
JW10	2001-000456	R-CARBON:2.2ohm,5%,1/4W,AA,TP,2.4x6.4mm	
R301	2001-001096	R-CARBON(S):2.2ohm,5%,1/2W,AA,TP,2.4x6.4	
J30	2007-000029	R-CHIP:00HM,5%,1/10W,DA,TP,2012	
J29	2007-000029	R-CHIP:00HM,5%,1/10W,DA,TP,2012	
J28	2007-000029	R-CHIP:00HM,5%,1/10W,DA,TP,2012	
J27	2007-000029	R-CHIP:00HM,5%,1/10W,DA,TP,2012	
J31	2007-000029	R-CHIP:00HM,5%,1/10W,DA,TP,2012	
J32	2007-000029	R-CHIP:00HM,5%,1/10W,DA,TP,2012	
J33	2007-000029	R-CHIP:00HM,5%,1/10W,DA,TP,2012	
J34	2007-000029	R-CHIP:00HM,5%,1/10W,DA,TP,2012	
J19	2007-000029	R-CHIP:00HM,5%,1/10W,DA,TP,2012	
J20	2007-000029	R-CHIP:00HM,5%,1/10W,DA,TP,2012	
J21	2007-000029	R-CHIP:00HM,5%,1/10W,DA,TP,2012	
J22	2007-000029	R-CHIP:00HM,5%,1/10W,DA,TP,2012	
J26	2007-000029	R-CHIP:00HM,5%,1/10W,DA,TP,2012	
J25	2007-000029	R-CHIP:00HM,5%,1/10W,DA,TP,2012	
J24	2007-000029	R-CHIP:00HM,5%,1/10W,DA,TP,2012	
J23	2007-000029	R-CHIP:00HM,5%,1/10W,DA,TP,2012	
J5	2007-000070	R-CHIP:00hm,5%,1/16W,DA,TP,1608	
J4	2007-000070	R-CHIP:00hm,5%,1/16W,DA,TP,1608	
J3	2007-000070	R-CHIP:00hm,5%,1/16W,DA,TP,1608	
J2	2007-000070	R-CHIP:00hm,5%,1/16W,DA,TP,1608	
J6	2007-000070	R-CHIP:00hm,5%,1/16W,DA,TP,1608	
J7	2007-000070	R-CHIP:00hm,5%,1/16W,DA,TP,1608	

J8	2007-000070	R-CHIP:00hm,5%,1/16W,DA,TP,1608	
J9	2007-000070	R-CHIP:00hm,5%,1/16W,DA,TP,1608	
J17	2007-000070	R-CHIP:00hm,5%,1/16W,DA,TP,1608	
J1	2007-000070	R-CHIP:00hm,5%,1/16W,DA,TP,1608	
J10	2007-000070	R-CHIP:00hm,5%,1/16W,DA,TP,1608	
J11	2007-000070	R-CHIP:00hm,5%,1/16W,DA,TP,1608	
J12	2007-000070	R-CHIP:00hm,5%,1/16W,DA,TP,1608	
J16	2007-000070	R-CHIP:00hm,5%,1/16W,DA,TP,1608	
J15	2007-000070	R-CHIP:00hm,5%,1/16W,DA,TP,1608	
J14	2007-000070	R-CHIP:00hm,5%,1/16W,DA,TP,1608	
J13	2007-000070	R-CHIP:00hm,5%,1/16W,DA,TP,1608	
R507R	2007-000074	R-CHIP:100ohm,5%,1/16W,DA,TP,1608	
R507L	2007-000074	R-CHIP:100ohm,5%,1/16W,DA,TP,1608	
R271	2007-000074	R-CHIP:100ohm,5%,1/16W,DA,TP,1608	
R213	2007-000078	R-CHIP:1Kohm,5%,1/16W,DA,TP,1608	
R212	2007-000078	R-CHIP:1Kohm,5%,1/16W,DA,TP,1608	
R211	2007-000078	R-CHIP:1Kohm,5%,1/16W,DA,TP,1608	
R210	2007-000078	R-CHIP:1Kohm,5%,1/16W,DA,TP,1608	
R209	2007-000078	R-CHIP:1Kohm,5%,1/16W,DA,TP,1608	
R110	2007-000092	R-CHIP:15Kohm,5%,1/16W,DA,TP,1608	
R116	2007-000093	R-CHIP:20Kohm,5%,1/16W,DA,TP,1608	
R200	2007-000097	R-CHIP:47Kohm,5%,1/16W,DA,TP,1608	
R129	2007-000097	R-CHIP:47Kohm,5%,1/16W,DA,TP,1608	
R123	2007-000097	R-CHIP:47Kohm,5%,1/16W,DA,TP,1608	
R139	2007-000098	R-CHIP:56Kohm,5%,1/16W,DA,TP,1608	
R126	2007-000098	R-CHIP:56Kohm,5%,1/16W,DA,TP,1608	
R104	2007-000098	R-CHIP:56Kohm,5%,1/16W,DA,TP,1608	
R103	2007-000098	R-CHIP:56Kohm,5%,1/16W,DA,TP,1608	
R102	2007-000098	R-CHIP:56Kohm,5%,1/16W,DA,TP,1608	
R101	2007-000098	R-CHIP:56Kohm,5%,1/16W,DA,TP,1608	
R114	2007-000100	R-CHIP:68Kohm,5%,1/16W,DA,TP,1608	
R128A	2007-000101	R-CHIP:82Kohm,5%,1/16W,DA,TP,1608	
R127	2007-000101	R-CHIP:82Kohm,5%,1/16W,DA,TP,1608	
R120	2007-000101	R-CHIP:82Kohm,5%,1/16W,DA,TP,1608	
R119	2007-000101	R-CHIP:82Kohm,5%,1/16W,DA,TP,1608	
R506R	2007-000102	R-CHIP:100Kohm,5%,1/16W,DA,TP,1608	
R506L	2007-000102	R-CHIP:100Kohm,5%,1/16W,DA,TP,1608	
R125	2007-000103	R-CHIP:120Kohm,5%,1/16W,DA,TP,1608	
R124	2007-000103	R-CHIP:120Kohm,5%,1/16W,DA,TP,1608	
R118	2007-000109	R-CHIP:1Mohm,5%,1/16W,DA,TP,1608	
R202	2007-000109	R-CHIP:1Mohm,5%,1/16W,DA,TP,1608	
R128	2007-000129	R-CHIP:27Kohm,5%,1/16W,DA,TP,1608	
R113	2007-000132	R-CHIP:180Kohm,5%,1/16W,DA,TP,1608	
R132	2007-000300	R-CHIP:10KOHM,5%,1/10W,DA,TP,2012	
R133	2007-000300	R-CHIP:10KOHM,5%,1/10W,DA,TP,2012	
R207	2007-000309	R-CHIP:10ohm,5%,1/16W,DA,TP,1608	
R121	2007-000458	R-CHIP:18Kohm,5%,1/16W,DA,TP,1608	
R115	2007-0001179	R-CHIP:8.2Kohm,5%,1/16W,DA,TP,1608	
R112	2007-0001196	R-CHIP:820Kohm,5%,1/16W,DA,TP,1608	
R108	2007-001216	R-CHIP:820HM,5%,1/10W,DA,TP,2012	
R107	2007-001216	R-CHIP:820HM,5%,1/10W,DA,TP,2012	
C503R	2203-000048	C-CERAMIC,CHIP:1nF,10%,50V,X7R,TP,1608	
C503L	2203-000048	C-CERAMIC,CHIP:1nF,10%,50V,X7R,TP,1608	
C209	2203-000048	C-CERAMIC,CHIP:1nF,10%,50V,X7R,TP,1608	
C117	2203-000048	C-CERAMIC,CHIP:1nF,10%,50V,X7R,TP,1608	
C102	2203-000048	C-CERAMIC,CHIP:1nF,10%,50V,X7R,TP,1608	
C121	2203-000140	C-CERAMIC,CHIP:1.5nF,10%,50V,X7R,TP,1608	
C218	2203-000257	C-CERAMIC,CHIP:10nF,10%,50V,X7R,TP,1608	
C304	2203-000257	C-CERAMIC,CHIP:10nF,10%,50V,X7R,TP,1608	
C305	2203-000257	C-CERAMIC,CHIP:10nF,10%,50V,X7R,TP,1608	
C505	2203-000257	C-CERAMIC,CHIP:10nF,10%,50V,X7R,TP,1608	
C216	2203-000257	C-CERAMIC,CHIP:10nF,10%,50V,X7R,TP,1608	
C103	2203-000257	C-CERAMIC,CHIP:10nF,10%,50V,X7R,TP,1608	
C134	2203-000257	C-CERAMIC,CHIP:10nF,10%,50V,X7R,TP,1608	
C207	2203-000257	C-CERAMIC,CHIP:10nF,10%,50V,X7R,TP,1608	
C213	2203-000257	C-CERAMIC,CHIP:10nF,10%,50V,X7R,TP,1608	
C113	2203-000280	C-CERAMIC,CHIP:10PF,0.5PF,50V,NPO,TP,1608	
C126	2203-000491	C-CERAMIC,CHIP:2.2nF,10%,50V,X7R,TP,1608	
C139	2203-000592	C-CERAMIC,CHIP:0.22nF,5%,50V,NPO,TP,1608	
C104	2203-000667	C-CERAMIC,CHIP:27nF,10%,16V,X7R,TP,1608	
C202	2203-000681	C-CERAMIC,CHIP:27pF,5%,50V,NPO,TP,1608	
C201	2203-000681	C-CERAMIC,CHIP:27pF,5%,50V,NPO,TP,1608	
C118	2203-000800	C-CERAMIC,CHIP:33nF,10%,25V,X7R,TP,1608	
C116	2203-000800	C-CERAMIC,CHIP:33nF,10%,25V,X7R,TP,1608	
C208	2203-000851	C-CERAMIC,CHIP:0.039nF,5%,50V,NPO,TP,160	
C127A	2203-000851	C-CERAMIC,CHIP:0.039nF,5%,50V,NPO,TP,160	
C126A	2203-000851	C-CERAMIC,CHIP:0.039nF,5%,50V,NPO,TP,160	
C125	2203-000851	C-CERAMIC,CHIP:0.039nF,5%,50V,NPO,TP,160	
C114	2203-001103	C-CERAMIC,CHIP:6.8nF,10%,50V,X7R,TP,1608	
C111	2203-001103	C-CERAMIC,CHIP:6.8nF,10%,50V,X7R,TP,1608	
C245	2203-001140	C-CERAMIC,CHIP:68nF,10%,16V,X7R,TP,1608	
C109	2203-001140	C-CERAMIC,CHIP:68nF,10%,16V,X7R,TP,1608	
C110	2203-001402	C-CERAMIC,CHIP:220nF,+80-20%,16V,YSV,TP,	
C203	2203-001652	C-CERAMIC,CHIP:470nF,+80-20%,16V,YSV,TP,	
C112	2203-001652	C-CERAMIC,CHIP:470nF,+80-20%,16V,YSV,TP,	
C132A	2203-005005	C-CERAMIC,CHIP:100nF,10%,16C,X7R,TP,1608	
C204	2203-005005	C-CERAMIC,CHIP:100nF,10%,16C,X7R,TP,1608	
C205	2203-005005	C-CERAMIC,CHIP:100nF,10%,16C,X7R,TP,1608	
C211	2203-005005	C-CERAMIC,CHIP:100nF,10%,16C,X7R,TP,1608	
C115	2203-005005	C-CERAMIC,CHIP:100nF,10%,16C,X7R,TP,1608	
C129	2203-005005	C-CERAMIC,CHIP:100nF,10%,16C,X7R,TP,1608	

**Location no. Code no. Description & Specification Remarks**

C127	2203-005194	C-CERAMIC,CHIP,220pF,10%,50V,X7R,TP,1608
C123	2401-000459	C-AL:10uF,20%,35V,GP5*7,5mm,TP
C301	2401-001355	C-AL:470uF,20%,10V,GP,8x11.5,5MM,TP
C108A	2401-001474	C-AL:47uF,20%,10V,GP,6*7,5MM,TP
C108	2401-001474	C-AL:47uF,20%,10V,GP,6*7,5MM,TP
C215	2401-001893	C-AL:100uF,20%,16V,GP,6*7,5MM,TP
C217	2401-001893	C-AL:100uF,20%,16V,GP,6*7,5MM,TP
C219	2401-001893	C-AL:100uF,20%,16V,GP,6*7,5MM,TP
C303	2401-001893	C-AL:100uF,20%,16V,GP,6*7,5MM,TP
C307	2401-001893	C-AL:100uF,20%,16V,GP,6*7,5MM,TP
C212	2401-001893	C-AL:100uF,20%,16V,GP,6*7,5MM,TP
C101	2401-001893	C-AL:100uF,20%,16V,GP,6*7,5MM,TP
C107	2401-001893	C-AL:100uF,20%,16V,GP,6*7,5MM,TP
C132	2401-001893	C-AL:100uF,20%,16V,GP,6*7,5MM,TP
C133	2401-001893	C-AL:100uF,20%,16V,GP,6*7,5MM,TP
C206	2401-001893	C-AL:100uF,20%,16V,GP,6*7,5MM,TP
C501R	2401-001917	C-AL:1uF,20%,50V,GP,4*7,5MM,TP
C501L	2401-001917	C-AL:1uF,20%,50V,GP,4*7,5MM,TP
C114A	2401-001952	C-AL:4.7uF,20%,50V,GP,5*7,5mm,TP
L300	2701-000111	INDUCTOR-AXIAL:100uH,10%,2.5x3.4,LAL02TB
X201	2802-000210	RESONATOR-CERAMIC,16.93MHz,0.5%,BK,10.0x
	3409-001078	LEAF SWITCH,MSV,1731-CVCA
CW105	AH81-00568L	A/S PART-CONNECTOR-HEADER,0321-10137-GO,
CW106	AH81-00568M	A/S PART-CONNECTOR-HEADER,0321-08012-80,
CW101	AH81-00568N	A/S PART-CONNECTOR-HEADER,0321-16021-EO,
	AH81-00568P	A/S PART-CONNECTOR-CABLE,0321-16085-EO,-
	AH81-00568R	A/S PART-CD MECHA,0115-6MML4-00,-,P31TG6

**AH92-01300H ASSY PCB-MAIN;MM-L4RH,MAIN,ELS**

TD11	0401-000101	DIODE-SWITCHING;1N4148,100V,200mA,DO-35,
TD14	0401-000101	DIODE-SWITCHING;1N4148,100V,200mA,DO-35,
TD19	0401-000101	DIODE-SWITCHING;1N4148,100V,200mA,DO-35,
TD2	0401-000101	DIODE-SWITCHING;1N4148,100V,200mA,DO-35,
TD10	0401-000101	DIODE-SWITCHING;1N4148,100V,200mA,DO-35,
TD1	0401-000101	DIODE-SWITCHING;1N4148,100V,200mA,DO-35,
RD1	0401-000101	DIODE-SWITCHING;1N4148,100V,200mA,DO-35,
JD9	0401-000101	DIODE-SWITCHING;1N4148,100V,200mA,DO-35,
TD9	0401-000101	DIODE-SWITCHING;1N4148,100V,200mA,DO-35,
TD8	0401-000101	DIODE-SWITCHING;1N4148,100V,200mA,DO-35,
TD6	0401-000101	DIODE-SWITCHING;1N4148,100V,200mA,DO-35,
TD5	0401-000101	DIODE-SWITCHING;1N4148,100V,200mA,DO-35,
TD4	0401-000101	DIODE-SWITCHING;1N4148,100V,200mA,DO-35,
TD3	0401-000101	DIODE-SWITCHING;1N4148,100V,200mA,DO-35,
TD21	0401-000101	DIODE-SWITCHING;1N4148,100V,200mA,DO-35,
TD20	0401-000101	DIODE-SWITCHING;1N4148,100V,200mA,DO-35,
JD8	0401-000101	DIODE-SWITCHING;1N4148,100V,200mA,DO-35,
AD9	0401-000101	DIODE-SWITCHING;1N4148,100V,200mA,DO-35,
AD7	0401-000101	DIODE-SWITCHING;1N4148,100V,200mA,DO-35,
AD6	0401-000101	DIODE-SWITCHING;1N4148,100V,200mA,DO-35,
AD29	0401-000101	DIODE-SWITCHING;1N4148,100V,200mA,DO-35,
AD28	0401-000101	DIODE-SWITCHING;1N4148,100V,200mA,DO-35,
AD27	0401-000101	DIODE-SWITCHING;1N4148,100V,200mA,DO-35,
AD26	0401-000101	DIODE-SWITCHING;1N4148,100V,200mA,DO-35,
AD25	0401-000101	DIODE-SWITCHING;1N4148,100V,200mA,DO-35,
JD7	0401-000101	DIODE-SWITCHING;1N4148,100V,200mA,DO-35,
JD6	0401-000101	DIODE-SWITCHING;1N4148,100V,200mA,DO-35,
JD4	0401-000101	DIODE-SWITCHING;1N4148,100V,200mA,DO-35,
JD3	0401-000101	DIODE-SWITCHING;1N4148,100V,200mA,DO-35,
JD2	0401-000101	DIODE-SWITCHING;1N4148,100V,200mA,DO-35,
JD11	0401-000101	DIODE-SWITCHING;1N4148,100V,200mA,DO-35,
JD10	0401-000101	DIODE-SWITCHING;1N4148,100V,200mA,DO-35,
JD1	0401-000101	DIODE-SWITCHING;1N4148,100V,200mA,DO-35,
TVD1	0405-000137	DIODE-VARACTOR;KV-1260,20V,100NA,TO-92S
JD5	0501-000369	TR-SMALL SIGNAL;KSC2331-Y,NPN,1000mW,TO-
JD6	0501-000369	TR-SMALL SIGNAL;KSC2331-Y,NPN,1000mW,TO-
TQ2	0501-000392	TR-SMALL SIGNAL;KSC838-OTA,35V,30V,30mA,
TQ1	0501-000392	TR-SMALL SIGNAL;KSC838-OTA,35V,30V,30mA,
AQ3	0501-000422	TR-SMALL SIGNAL;KTA1273,PNP,-30V,-30V,-2
AQ11	0501-000422	TR-SMALL SIGNAL;KTA1273,PNP,-30V,-30V,-2
QJ11	0504-000121	TR-DIGITAL;KSR1007TA/108M,300MW,22K-47K
AQ5	0504-000121	TR-DIGITAL;KSR1007TA/108M,300MW,22K-47K
AQ4	0504-000121	TR-DIGITAL;KSR1007TA/108M,300MW,22K-47K
AQ17	0504-000121	TR-DIGITAL;KSR1007TA/108M,300MW,22K-47K
AQ12	0504-000121	TR-DIGITAL;KSR1007TA/108M,300MW,22K-47K
AQ14	0504-000121	TR-DIGITAL;KSR1007TA/108M,300MW,22K-47K
AQ15	0504-000121	TR-DIGITAL;KSR1007TA/108M,300MW,22K-47K
QQ2	0504-000122	TR-DIGITAL;KSR1009Y,NPN,300mW,4.7K,TO-92
QQ2	0504-000122	TR-DIGITAL;KSR1009Y,NPN,300mW,4.7K,TO-92
MIC9	1201-000163	IC-OP AMP;4560,SOP,8P;150MIL,DUAL,100V/m
MIC8	1201-000163	IC-OP AMP;4560,SOP,8P;150MIL,DUAL,100V/m
MIC5	1201-000163	IC-OP AMP;4560,SOP,8P;150MIL,DUAL,100V/m
JIC1	1201-000358	IC-PREAMP;S1A0291*01-A0B0,24SDIP
AIC2	1203-000242	IC-POSI.FIXED REG.;7812,TO-220,3P,-,PLAS
MIC4	1204-001465	IC-VOLUME/TONE CONT.;TDA7440D,SOP,28,18,
TR64	2001-000008	R-CARBON;15Kohm,5%,1/8W,AA,TP,1.8x3.2mm
AR21	2001-000017	R-CARBON;4.7ohm,5%,1/4W,AA,TP,2.4x6.4mm
AR20	2001-000017	R-CARBON;4.7ohm,5%,1/4W,AA,TP,2.4x6.4mm
JR23	2001-000027	R-CARBON;100ohm,5%,1/4W,AA,TP,2.4x6.4mm
TR73	2001-000034	R-CARBON;220ohm,5%,1/4W,AA,TP,2.4x6.4mm
AR30	2001-000038	R-CARBON;390ohm,5%,1/16W,DA,TP,1608
AR37	2001-000241	R-CARBON;1.5Kohm,5%,1/8W,AA,TP,1.8x3.2m
JR80	2001-000273	R-CARBON;100Kohm,5%,1/8W,AA,TP,1.8x3.2m
JR58	2001-000273	R-CARBON;100Kohm,5%,1/8W,AA,TP,1.8x3.2m

**Location no. Code no. Description & Specification Remarks**

AR60	2001-000273	R-CARBON;100Kohm,5%,1/8W,AA,TP,1.8x3.2m
JR59	2001-000281	R-CARBON;100ohm,5%,1/8W,AA,TP,1.8x3.2mm
QRR9	2001-000290	R-CARBON;10Kohm,5%,1/8W,AA,TP,1.8x3.2mm
QR12	2001-000290	R-CARBON;10Kohm,5%,1/8W,AA,TP,1.8x3.2mm
QR11	2001-000290	R-CARBON;10Kohm,5%,1/8W,AA,TP,1.8x3.2mm
TR1	2001-000290	R-CARBON;10Kohm,5%,1/8W,AA,TP,1.8x3.2mm
TR43	2001-000290	R-CARBON;10Kohm,5%,1/8W,AA,TP,1.8x3.2mm
TR47	2001-000290	R-CARBON;10Kohm,5%,1/8W,AA,TP,1.8x3.2mm
JR21	2001-000290	R-CARBON;10Kohm,5%,1/8W,AA,TP,1.8x3.2mm
JR27	2001-000290	R-CARBON;10Kohm,5%,1/8W,AA,TP,1.8x3.2mm
JR30	2001-000290	R-CARBON;10Kohm,5%,1/8W,AA,TP,1.8x3.2mm
JR61	2001-000290	R-CARBON;10Kohm,5%,1/8W,AA,TP,1.8x3.2mm
JR72	2001-000290	R-CARBON;10Kohm,5%,1/8W,AA,TP,1.8x3.2mm
JRR10	2001-000290	R-CARBON;10Kohm,5%,1/8W,AA,TP,1.8x3.2mm
AR50	2001-000331	R-CARBON;12Kohm,5%,1/8W,AA,TP,1.8x3.2mm
JR29	2001-000362	R-CARBON;150ohm,5%,1/8W,AA,TP,1.8x3.2mm
JRL13	2001-000397	R-CARBON;RN 1/8T 180K-J
JRR13	2001-000397	R-CARBON;RN 1/8T 180K-J
JRR2	2001-000429	R-CARBON;1Kohm,5%,1/8W,AA,TP,1.8x3.2mm
QR15	2001-000429	R-CARBON;1Kohm,5%,1/8W,AA,TP,1.8x3.2mm
QR2	2001-000429	R-CARBON;1Kohm,5%,1/8W,AA,TP,1.8x3.2mm
QR3	2001-000429	R-CARBON;1Kohm,5%,1/8W,AA,TP,1.8x3.2mm
TR45	2001-000429	R-CARBON;1Kohm,5%,1/8W,AA,TP,1.8x3.2mm
JRL2	2001-000429	R-CARBON;1Kohm,5%,1/8W,AA,TP,1.8x3.2mm
AR31	2001-000429	R-CARBON;1Kohm,5%,1/8W,AA,TP,1.8x3.2mm
AR32	2001-000429	R-CARBON;1Kohm,5%,1/8W,AA,TP,1.8x3.2mm
AR8	2001-000429	R-CARBON;1Kohm,5%,1/8W,AA,TP,1.8x3.2mm
JRL16	2001-000429	R-CARBON;1Kohm,5%,1/8W,AA,TP,1.8x3.2mm
JRL19	2001-000429	R-CARBON;1Kohm,5%,1/8W,AA,TP,1.8x3.2mm
TR41	2001-000449	R-CARBON;2.2Kohm,5%,1/8W,AA,TP,1.8x3.2m
TR42	2001-000449	R-CARBON;2.2Kohm,5%,1/8W,AA,TP,1.8x3.2m
TR63	2001-000449	R-CARBON;2.2Kohm,5%,1/8W,AA,TP,1.8x3.2m
TR40	2001-000449	R-CARBON;2.2Kohm,5%,1/8W,AA,TP,1.8x3.2m
AR49	2001-000449	R-CARBON;2.2Kohm,5%,1/8W,AA,TP,1.8x3.2m
TR36	2001-000449	R-CARBON;2.2Kohm,5%,1/8W,AA,TP,1.8x3.2m
TR39	2001-000449	R-CARBON;2.2Kohm,5%,1/8W,AA,TP,1.8x3.2m
CR3	2001-000508	R-CARBON;220Kohm,5%,1/8W,AA,TP,1.8x3.2m
CR4	2001-000508	R-CARBON;220Kohm,5%,1/8W,AA,TP,1.8x3.2m
QR13	2001-000508	R-CARBON;220Kohm,5%,1/8W,AA,TP,1.8x3.2m
QRR7	2001-000515	R-CARBON;220ohm,5%,1/8W,AA,TP,1.8x3.2mm
JR32	2001-000522	R-CARBON;22Kohm,5%,1/8W,AA,TP,1.8x3.2mm
AR56	2001-000522	R-CARBON;22Kohm,5%,1/8W,AA,TP,1.8x3.2mm
AR53	2001-000522	R-CARBON;22Kohm,5%,1/8W,AA,TP,1.8x3.2mm
AR51	2001-000522	R-CARBON;22Kohm,5%,1/8W,AA,TP,1.8x3.2mm
AR5	2001-000522	R-CARBON;22Kohm,5%,1/8W,AA,TP,1.8x3.2mm
TR27	2001-000527	R-CARBON;22ohm,5%,1/8W,AA,TP,1.8x3.2mm
JRR6	2001-000527	R-CARBON;22ohm,5%,1/8W,AA,TP,1.8x3.2mm
JRL6	2001-000527	R-CARBON;22ohm,5%,1/8W,AA,TP,1.8x3.2mm
HR4	2001-000552	R-CARBON;270ohm,5%,1/4W,AA,TP,2.4x6.4mm
HR2	2001-000552	R-CARBON;270ohm,5%,1/4W,AA,TP,2.4x6.4mm
QRR6	2001-000591	R-CARBON;3.3Kohm,5%,1/8W,AA,TP,1.8x3.2m
AR17	2001-000660	R-CARBON;33Kohm,5%,1/8W,AA,TP,1.8x3.2mm
AR16	2001-000660	R-CARBON;33Kohm,5%,1/8W,AA,TP,1.8x3.2mm
TR62	2001-000734	R-CARBON;4.7Kohm,5%,1/8W,AA,TP,1.8x3.2m
TR33	2001-000734	R-CARBON;4.7Kohm,5%,1/8W,AA,TP,1.8x3.2m
TR32	2001-000734	R-CARBON;4.7Kohm,5%,1/8W,AA,TP,1.8x3.2m
AR52	2001-000734	R-CARBON;4.7Kohm,5%,1/8W,AA,TP,1.8x3.2m
JRL11	2001-000734	R-CARBON;4.7Kohm,5%,1/8W,AA,TP,1.8x3.2m
JRR11	2001-000734	R-CARBON;4.7Kohm,5%,1/8W,AA,TP,1.8x3.2m
JR31	2001-000745	R-CARBON;4.7ohm,5%,1/8W,AA,TP,1.8x3.2mm
QRL4	2001-000773	R-CARBON;470Kohm,5%,1/8W,AA,TP,1.8x3.2m
AR15	2001-000780	R-CARBON;470ohm,5%,1/8W,AA,TP,1.8x3.2mm
AR14	2001-000780	R-CARBON;470ohm,5%,1/8W,AA,TP,1.8x3.2mm
AR9	2001-000786	R-CARBON;47Kohm,5%,1/8W,AA,TP,1.8x3.2mm
AR6	2001-000786	R-CARBON;47Kohm,5%,1/8W,AA,TP,1.8x3.2mm
AR58	2001-000786	R-CARBON;47Kohm,5%,1/8W,AA,TP,1.8x3.2mm
AR54	2001-000786	R-CARBON;47Kohm,5%,1/8W,AA,TP,1.8x3.2mm
TR24	2001-000802	R-CARBON;5.6Kohm,5%,1/8W,AA,TP,1.8x3.2m
AR46	2001-000857	R-CARBON;560ohm,5%,1/8W,AA,TP,1.8x3.2mm
AR45	2001-000857	R-CARBON;560ohm,5%,1/8W,AA,TP,1.8x3.2mm
AR4	2001-000857	R-CARBON;560ohm,5%,1/8W,AA,TP,1.8x3.2mm
TR11	2001-000890	R-CARBON;6.8Kohm,5%,1/8W,AA,TP,1.8x3.2m
JR37	2001-000938	R-CARBON;68ohm,5%,1/8W,AA,TP,1.8x3.2mm
TR66	2001-000977	R-CARBON;8.2KOHM,5%,1/8W,AA,TP,1.8x3.2m
TR57	2001-000977	R-CARBON;8.2KOHM,5%,1/8W,AA,TP,1.8x3.2m
TR56	2001-000977	R-CARBON;8.2KOHM,5%,1/8W,AA,TP,1.8x3.2m
JR75	2001-001292	R-CARBON(S);100HM,5%,1/4W,AA,TP,1.9X3.2M
AR7	2003-000534	R-METAL OXIDE(S);1Kohm,5%,1W,AA,TP,3.3x9
AR1	2003-000629	R-METAL OXIDE(S);3.3ohm,5%,2W,AA,TP,4x12
J245	2007-000029	R-CHIP;00HM,5%,1/10W,DA,TP,2012
J900	2007-000029	R-CHIP;00HM,5%,1/10W,DA,TP,2012
J914	2007-000029	R-CHIP;00HM,5%,1/10W,DA,TP,2012
TR25	2007-000030	R-CHIP;560OHM,5%,1/10W,DA,TP,2012
JR57	2007-000032	R-CHIP;390KOHM,5%,1/10W,DA,TP,2012
QRL10	2007-000032	R-CHIP;390KOHM,5%,1/10W,DA,TP,2012
QRR10	2007-000032	R-CHIP;390KOHM,5%,1/10W,DA,TP,2012
QRR4	2007-000068	R-CHIP;470KOHM,5%,1/10W,DA,TP,2012
JR24	2007-000068	R-CHIP;470KOHM,5%,1/10W,DA,TP,2012
ER1	2007-000074	R-CHIP;100ohm,5%,1/16W,DA,TP,1608
ER8	2007-000082	R-CHIP;3.3Kohm,5%,1/16W,DA,TP,1608
ER7	2007-000082	R-CHIP;3.3Kohm,5%,1/16W,DA,TP,1608
ER3	2007-000102	R-CHIP;100Kohm,5%,1/16W,DA,TP,1608
ER6	2007-000102	R-CHIP;100Kohm,5%,1/16W,DA,TP,1608

**Location no. Code no. Description & Specification Remarks**

ER2	2007-000102	R-CHIP:100Kohm,5%,1/16W,DA,TP,1608
ER5	2007-000129	R-CHIP:27Kohm,5%,1/16W,DA,TP,1608
JR28	2007-000241	R-CHIP:1.5KOHM,5%,1/10W,DA,TP,2012
TR75	2007-000267	R-CHIP:1.8KOHM,5%,1/10W,DA,TP,2012
TR74	2007-000267	R-CHIP:1.8KOHM,5%,1/10W,DA,TP,2012
TR35	2007-000282	R-CHIP:100KOHM,5%,1/10W,DA,TP,2012
TR4	2007-000282	R-CHIP:100KOHM,5%,1/10W,DA,TP,2012
TR76	2007-000290	R-CHIP:100OHM,5%,1/10W,DA,TP,2012
TR28	2007-000290	R-CHIP:100OHM,5%,1/10W,DA,TP,2012
JR63	2007-000290	R-CHIP:100OHM,5%,1/10W,DA,TP,2012
TR67	2007-000300	R-CHIP:10KOHM,5%,1/10W,DA,TP,2012
TR46	2007-000300	R-CHIP:10KOHM,5%,1/10W,DA,TP,2012
TR14	2007-000300	R-CHIP:10KOHM,5%,1/10W,DA,TP,2012
QRL9	2007-000300	R-CHIP:10KOHM,5%,1/10W,DA,TP,2012
AR61	2007-000300	R-CHIP:10KOHM,5%,1/10W,DA,TP,2012
AR62	2007-000300	R-CHIP:10KOHM,5%,1/10W,DA,TP,2012
JRL10	2007-000300	R-CHIP:10KOHM,5%,1/10W,DA,TP,2012
TR68	2007-000308	R-CHIP:10OHM,5%,1/10W,DA,TP,2012
TR55	2007-000355	R-CHIP:12KOHM,5%,1/10W,DA,TP,2012
TR54	2007-000355	R-CHIP:12KOHM,5%,1/10W,DA,TP,2012
TR8	2007-000398	R-CHIP:150OHM,1%,1/10W,DA,TP,2012
JRR17	2007-000409	R-CHIP:15KOHM,5%,1/10W,DA,TP,2012
JRL17	2007-000409	R-CHIP:15KOHM,5%,1/10W,DA,TP,2012
JRR3	2007-000444	R-CHIP:180KOHM,5%,1/10W,DA,TP,2012
JRL3	2007-000444	R-CHIP:180KOHM,5%,1/10W,DA,TP,2012
TR31	2007-000457	R-CHIP:18KOHM,5%,1/10W,DA,TP,2012
AR25	2007-000457	R-CHIP:18KOHM,5%,1/10W,DA,TP,2012
TR16	2007-000468	R-CHIP:1KOHM,5%,1/10W,DA,TP,2012
QRR5	2007-000468	R-CHIP:1KOHM,5%,1/10W,DA,TP,2012
QRL5	2007-000468	R-CHIP:1KOHM,5%,1/10W,DA,TP,2012
JRL12	2007-000468	R-CHIP:1KOHM,5%,1/10W,DA,TP,2012
JRR12	2007-000468	R-CHIP:1KOHM,5%,1/10W,DA,TP,2012
JRR16	2007-000468	R-CHIP:1KOHM,5%,1/10W,DA,TP,2012
JRL7	2007-000493	R-CHIP:2.2KOHM,5%,1/10W,DA,TP,2012
JRR7	2007-000493	R-CHIP:2.2KOHM,5%,1/10W,DA,TP,2012
TR38	2007-000493	R-CHIP:2.2KOHM,5%,1/10W,DA,TP,2012
TR44	2007-000493	R-CHIP:2.2KOHM,5%,1/10W,DA,TP,2012
JR60	2007-000493	R-CHIP:2.2KOHM,5%,1/10W,DA,TP,2012
AR47	2007-000493	R-CHIP:2.2KOHM,5%,1/10W,DA,TP,2012
AR48	2007-000493	R-CHIP:2.2KOHM,5%,1/10W,DA,TP,2012
JR1	2007-000493	R-CHIP:2.2KOHM,5%,1/10W,DA,TP,2012
JR15	2007-000493	R-CHIP:2.2KOHM,5%,1/10W,DA,TP,2012
TR17	2007-000518	R-CHIP:2.7KOHM,5%,1/10W,DA,TP,2012
AR70	2007-000565	R-CHIP:220KOHM,5%,1/10W,DA,TP,2012
TR19	2007-000572	R-CHIP:220OHM,5%,1/10W,DA,TP,2012
TR18	2007-000572	R-CHIP:220OHM,5%,1/10W,DA,TP,2012
QRL7	2007-000572	R-CHIP:220OHM,5%,1/10W,DA,TP,2012
TR72	2007-000586	R-CHIP:22KOHM,5%,1/10W,DA,TP,2012
TR30	2007-000586	R-CHIP:22KOHM,5%,1/10W,DA,TP,2012
TR26	2007-000586	R-CHIP:22KOHM,5%,1/10W,DA,TP,2012
JR34	2007-000586	R-CHIP:22KOHM,5%,1/10W,DA,TP,2012
JR25	2007-000586	R-CHIP:22KOHM,5%,1/10W,DA,TP,2012
AR18	2007-000586	R-CHIP:22KOHM,5%,1/10W,DA,TP,2012
TR2	2007-000593	R-CHIP:22OHM,5%,1/10W,DA,TP,2012
TR5	2007-000686	R-CHIP:3.3KOHM,5%,1/10W,DA,TP,2012
TR15	2007-000686	R-CHIP:3.3KOHM,5%,1/10W,DA,TP,2012
TR13	2007-000686	R-CHIP:3.3KOHM,5%,1/10W,DA,TP,2012
TR12	2007-000686	R-CHIP:3.3KOHM,5%,1/10W,DA,TP,2012
JRL9	2007-000686	R-CHIP:3.3KOHM,5%,1/10W,DA,TP,2012
JRR9	2007-000686	R-CHIP:3.3KOHM,5%,1/10W,DA,TP,2012
QRL6	2007-000686	R-CHIP:3.3KOHM,5%,1/10W,DA,TP,2012
TR3	2007-000710	R-CHIP:3.3KOHM,5%,1/10W,DA,TP,2012
TR22	2007-000774	R-CHIP:33KOHM,5%,1/10W,DA,TP,2012
CR6	2007-000774	R-CHIP:33KOHM,5%,1/10W,DA,TP,2012
CR5	2007-000774	R-CHIP:33KOHM,5%,1/10W,DA,TP,2012
TR20	2007-000822	R-CHIP:390OHM,5%,1/10W,DA,TP,2012
JRR8	2007-000822	R-CHIP:390OHM,5%,1/10W,DA,TP,2012
JRL8	2007-000822	R-CHIP:390OHM,5%,1/10W,DA,TP,2012
ER4	2007-000835	R-CHIP:39ohm,1%,1/16W,DA,TP,1608
JR56	2007-000872	R-CHIP:4.7KOHM,5%,1/10W,DA,TP,2012
AR29	2007-000941	R-CHIP:47KOHM,5%,1/10W,DA,TP,2012
AR11	2007-000941	R-CHIP:47KOHM,5%,1/10W,DA,TP,2012
TR7	2007-000981	R-CHIP:5.6KOHM,5%,1/10W,DA,TP,2012
TR65	2007-000981	R-CHIP:5.6KOHM,5%,1/10W,DA,TP,2012
TR37	2007-000981	R-CHIP:5.6KOHM,5%,1/10W,DA,TP,2012
QRR8	2007-001037	R-CHIP:56KOHM,1%,1/10W,DA,TP,2012
QRL8	2007-001037	R-CHIP:56KOHM,1%,1/10W,DA,TP,2012
JR19	2007-001037	R-CHIP:56KOHM,1%,1/10W,DA,TP,2012
TR10	2007-001071	R-CHIP:6.8KOHM,5%,1/10W,DA,TP,2012
JRR4	2007-001071	R-CHIP:6.8KOHM,5%,1/10W,DA,TP,2012
JRL4	2007-001071	R-CHIP:6.8KOHM,5%,1/10W,DA,TP,2012
TR21	2007-001177	R-CHIP:8.2KOHM,5%,1/10W,DA,TP,2012
QRR1	2007-001177	R-CHIP:8.2KOHM,5%,1/10W,DA,TP,2012
QRL1	2007-001177	R-CHIP:8.2KOHM,5%,1/10W,DA,TP,2012
JRR5	2007-001177	R-CHIP:8.2KOHM,5%,1/10W,DA,TP,2012
JRL5	2007-001177	R-CHIP:8.2KOHM,5%,1/10W,DA,TP,2012
TC64	2201-000132	C-CERAMIC,DISC:100PF,10%,500V,Y5P,TP6*4
TC52	2201-000132	C-CERAMIC,DISC:100PF,10%,500V,Y5P,TP6*4
TC49	2201-000282	C-CERAMIC,DISC:1nF,+80-20%,50V,Y5V,TP5x
TC47	2201-000282	C-CERAMIC,DISC:1nF,+80-20%,50V,Y5V,TP5x
HC3	2201-000282	C-CERAMIC,DISC:1nF,+80-20%,50V,Y5V,TP5x
HC2	2201-000282	C-CERAMIC,DISC:1nF,+80-20%,50V,Y5V,TP5x
TC41	2201-000381	C-CERAMIC,DISC:22nF,+80%, -20% 50V Y5V 8.

**Location no. Code no. Description & Specification Remarks**

TC1	2201-000381	C-CERAMIC,DISC:22nF,+80%, -20% 50V Y5V 8.
AC5	2201-000547	C-CERAMIC,DISC:4.7nF,20%,500V,Y5T,TP,14x
AC42	2201-000547	C-CERAMIC,DISC:4.7nF,20%,500V,Y5T,TP,14x
AC3	2201-000547	C-CERAMIC,DISC:4.7nF,20%,500V,Y5T,TP,14x
AC2	2201-000547	C-CERAMIC,DISC:4.7nF,20%,500V,Y5T,TP,14x
AC1	2201-000547	C-CERAMIC,DISC:4.7nF,20%,500V,Y5T,TP,14x
TC63	2201-000565	C-CERAMIC,DISC:47nF,+80% -20% 50V Y5V 12
TC46	2201-000565	C-CERAMIC,DISC:47nF,+80% -20% 50V Y5V 12
QCR7	2203-000199	C-CERAMIC,CHIP:100NF,+80-20%,50V,Y5V,201
QCR6	2203-000199	C-CERAMIC,CHIP:100NF,+80-20%,50V,Y5V,201
QCL7	2203-000199	C-CERAMIC,CHIP:100NF,+80-20%,50V,Y5V,201
QCL6	2203-000199	C-CERAMIC,CHIP:100NF,+80-20%,50V,Y5V,201
TC48	2203-000239	C-CERAMIC,CHIP:100pF,5%,50V,NPO,2012,-,T
TC26	2203-000239	C-CERAMIC,CHIP:100pF,5%,50V,NPO,2012,-,T
JCR2	2203-000239	C-CERAMIC,CHIP:100pF,5%,50V,NPO,2012,-,T
TC60	2203-000239	C-CERAMIC,CHIP:100pF,5%,50V,NPO,2012,-,T
TC61	2203-000239	C-CERAMIC,CHIP:100pF,5%,50V,NPO,2012,-,T
TC71	2203-000239	C-CERAMIC,CHIP:100pF,5%,50V,NPO,2012,-,T
TC72	2203-000239	C-CERAMIC,CHIP:100pF,5%,50V,NPO,2012,-,T
CC1	2203-000239	C-CERAMIC,CHIP:100pF,5%,50V,NPO,2012,-,T
CC2	2203-000239	C-CERAMIC,CHIP:100pF,5%,50V,NPO,2012,-,T
JC72	2203-000239	C-CERAMIC,CHIP:100pF,5%,50V,NPO,2012,-,T
JC8	2203-000239	C-CERAMIC,CHIP:100pF,5%,50V,NPO,2012,-,T
JCL13	2203-000239	C-CERAMIC,CHIP:100pF,5%,50V,NPO,2012,-,T
JCL2	2203-000239	C-CERAMIC,CHIP:100pF,5%,50V,NPO,2012,-,T
JCR13	2203-000239	C-CERAMIC,CHIP:100pF,5%,50V,NPO,2012,-,T
TC13	2203-000260	C-CERAMIC,CHIP:10nF,10%,50V,X7R,2012,-,T
TC12	2203-000260	C-CERAMIC,CHIP:10nF,10%,50V,X7R,2012,-,T
TC43	2203-000335	C-CERAMIC,CHIP:12pF,5%,50V,NPO,2012,-,TP
TC74	2203-000429	C-CERAMIC,CHIP:18pF,5%,50V,NPO,2012,-,TP
TC27	2203-000429	C-CERAMIC,CHIP:18pF,5%,50V,NPO,2012,-,TP
JCR16	2203-000495	C-CERAMIC,CHIP:2.2nF,10%,50V,X7R,2012,-,T
JCL14	2203-000495	C-CERAMIC,CHIP:2.2nF,10%,50V,X7R,2012,-,T
AC9	2203-000495	C-CERAMIC,CHIP:2.2nF,10%,50V,X7R,2012,-,T
AC12	2203-000495	C-CERAMIC,CHIP:2.2nF,10%,50V,X7R,2012,-,T
TC17	2203-000595	C-CERAMIC,CHIP:220PF,5%,50V,NPO,TP,2012
QC12	2203-000595	C-CERAMIC,CHIP:220PF,5%,50V,NPO,TP,2012
QC11	2203-000595	C-CERAMIC,CHIP:220PF,5%,50V,NPO,TP,2012
TC36	2203-000609	C-CERAMIC,CHIP:22nF,10%,50V,X7R,2012,-,T
QC16	2203-000609	C-CERAMIC,CHIP:22nF,10%,50V,X7R,2012,-,T
JCR4	2203-000609	C-CERAMIC,CHIP:22nF,10%,50V,X7R,2012,-,T
JCL4	2203-000609	C-CERAMIC,CHIP:22nF,10%,50V,X7R,2012,-,T
JC74	2203-000609	C-CERAMIC,CHIP:22nF,10%,50V,X7R,2012,-,T
JC50	2203-000609	C-CERAMIC,CHIP:22nF,10%,50V,X7R,2012,-,T
JC23	2203-000609	C-CERAMIC,CHIP:22nF,10%,50V,X7R,2012,-,T
TC25	2203-000892	C-CERAMIC,CHIP:4.7nF,10%,50V,X7R,TP,2012
TC8	2203-000953	C-CERAMIC,CHIP:470pF,5%,50V,NPO,2012,-,T
TC28	2203-000979	C-CERAMIC,CHIP:47nF,10%,50V,X7R,2012,-,T
TC34	2203-000979	C-CERAMIC,CHIP:47nF,10%,50V,X7R,2012,-,T
TC37	2203-000979	C-CERAMIC,CHIP:47nF,10%,50V,X7R,2012,-,T
TC38	2203-000979	C-CERAMIC,CHIP:47nF,10%,50V,X7R,2012,-,T
TC7	2203-000979	C-CERAMIC,CHIP:47nF,10%,50V,X7R,2012,-,T
TC73	2203-000979	C-CERAMIC,CHIP:47nF,10%,50V,X7R,2012,-,T
JC24	2203-000979	C-CERAMIC,CHIP:47nF,10%,50V,X7R,2012,-,T
JC53	2203-000979	C-CERAMIC,CHIP:47nF,10%,50V,X7R,2012,-,T
QCL14	2203-000979	C-CERAMIC,CHIP:47nF,10%,50V,X7R,2012,-,T
QCR14	2203-000979	C-CERAMIC,CHIP:47nF,10%,50V,X7R,2012,-,T
TC16	2203-000979	C-CERAMIC,CHIP:47nF,10%,50V,X7R,2012,-,T
TC2	2203-000979	C-CERAMIC,CHIP:47nF,10%,50V,X7R,2012,-,T
TC15	2203-001537	C-CERAMIC,CHIP:1nF,10%,50V,X7R,2012
TC14	2203-001537	C-CERAMIC,CHIP:1nF,10%,50V,X7R,2012
JCL5	2203-001551	C-CERAMIC,CHIP:1.5nF,10%,50V,X7R,2012,-,T
JCR5	2203-001551	C-CERAMIC,CHIP:1.5nF,10%,50V,X7R,2012,-,T
JCR15	2203-001554	C-CERAMIC,CHIP:1.8nF,10%,50V,X7R,TP,1608
JCL15	2203-001554	C-CERAMIC,CHIP:1.8nF,10%,50V,X7R,TP,1608
TC40	2203-001619	C-CERAMIC,CHIP:27pF,5%,50V,NPO,2012,-,TP
TC42	2203-001646	C-CERAMIC,CHIP:3nF,5%,50V,NPO,2012,-,TP
AC14	2301-000128	C-FILM,PEF:100NF,5%,50V,10X94.3X5.5
AC13	2301-000128	C-FILM,PEF:100NF,5%,50V,10X94.3X5.5
JC30	2301-000379	C-FILM,PEF:10nF,10%,50V,6x12x3.5,TP
JC26	2301-000390	C-FILM,PEF:15nF,10%,50V,7x12x3.5,TP
JC27	2301-000404	C-FILM,PEF:2.2nF,10%,50V,5.5x11x3,TP
JC34	2301-000422	C-FILM,PEF:3.3nF,10%,50V,5.5x7x3,TP
QCR8	2301-000454	C-FILM,PEF:5.6nF,10%,50V,6x12x3,TP
QCL8	2301-000454	C-FILM,PEF:5.6nF,10%,50V,6x12x3,TP
TC9	2401-000416	C-AL:10uF,20%,16V,GP,TP5x11.5
TC20	2401-000416	C-AL:10uF,20%,16V,GP,TP5x11.5
TC19	2401-000416	C-AL:10uF,20%,16V,GP,TP5x11.5
TC18	2401-000416	C-AL:10uF,20%,16V,GP,TP5x11.5
QCR10	2401-000416	C-AL:10uF,20%,16V,GP,TP5x11.5
EC4	2401-000416	C-AL:10uF,20%,16V,GP,TP5x11.5
EC1	2401-000416	C-AL:10uF,20%,16V,GP,TP5x11.5
JCR7	2401-000588	C-AL:1uF,20%,50V,GP,3*5.2.5MM,TP
JC29	2401-000588	C-AL:1uF,20%,50V,GP,3*5.2.5MM,TP
JC22	2401-000588	C-AL:1uF,20%,50V,GP,3*5.2.5MM,TP
JC21	2401-000588	C-AL:1uF,20%,50V,GP,3*5.2.5MM,TP
JC16	2401-000588	C-AL:1uF,20%,50V,GP,3*5.2.5MM,TP
EC3	2401-000588	C-AL:1uF,20%,50V,GP,3*5.2.5MM,TP
EC2	2401-000588	C-AL:1uF,20%,50V,GP,3*5.2.5MM,TP
JC54	2401-000759	C-AL:220NF,20%,50V,GP,5*11.5MM,5MM,TP
JCR3	2401-000907	C-AL:22uF,20%,16V,GP,5*11.5MM,TP
RC1	2401-000907	C-AL:22uF,20%,16V,GP,5*11.5MM,TP
TC23	2401-000907	C-AL:22uF,20%,16V,GP,5*11.5MM,TP

Location no.	Code no.	Description & Specification	Remarks
JCL3	2401-000907	C-AL:22uF,20%,16V,GP5*11,5MM,TP	
AC29	2401-000907	C-AL:22uF,20%,16V,GP5*11,5MM,TP	
CJ18	2401-000907	C-AL:22uF,20%,16V,GP5*11,5MM,TP	
JC18	2401-000907	C-AL:22uF,20%,16V,GP5*11,5MM,TP	
TC29	2401-001019	C-AL:3.3uF,20%,50V,GP4*7,5MM,TP	
JCR12	2401-001019	C-AL:3.3uF,20%,50V,GP4*7,5MM,TP	
JCR10	2401-001019	C-AL:3.3uF,20%,50V,GP4*7,5MM,TP	
JC57	2401-001019	C-AL:3.3uF,20%,50V,GP4*7,5MM,TP	
JCL10	2401-001019	C-AL:3.3uF,20%,50V,GP4*7,5MM,TP	
JCL12	2401-001019	C-AL:3.3uF,20%,50V,GP4*7,5MM,TP	
TC30	2401-001164	C-AL:33uF,20%,16V,GP5*11,5mm,TP	
TC5	2401-001324	C-AL:470nF,20%,50V,GP3*5,2.5MM,TP	
TC44	2401-001324	C-AL:470nF,20%,50V,GP3*5,2.5MM,TP	
JC55	2401-001324	C-AL:470nF,20%,50V,GP3*5,2.5MM,TP	
JC58	2401-001502	C-AL:47uF,20%,16V,GP6*5,2.5MM,TP	
JCL11	2401-001502	C-AL:47uF,20%,16V,GP6*5,2.5MM,TP	
TC24	2401-001502	C-AL:47uF,20%,16V,GP6*5,2.5MM,TP	
TC33	2401-001502	C-AL:47uF,20%,16V,GP6*5,2.5MM,TP	
TC35	2401-001502	C-AL:47uF,20%,16V,GP6*5,2.5MM,TP	
AC27	2401-001502	C-AL:47uF,20%,16V,GP6*5,2.5MM,TP	
AC40	2401-001502	C-AL:47uF,20%,16V,GP6*5,2.5MM,TP	
AC41	2401-001502	C-AL:47uF,20%,16V,GP6*5,2.5MM,TP	
JC28	2401-001502	C-AL:47uF,20%,16V,GP6*5,2.5MM,TP	
JC31	2401-001502	C-AL:47uF,20%,16V,GP6*5,2.5MM,TP	
JCR11	2401-001502	C-AL:47uF,20%,16V,GP6*5,2.5MM,TP	
AC16	2401-001886	C-AL:1000uF,20%,35V,GP16x25mm,5mm,	
AC15	2401-001886	C-AL:1000uF,20%,35V,GP16x25mm,5mm,	
EC5	2401-001893	C-AL:100uF,20%,16V,GP6*7,5MM,TP	
TC21	2401-001895	C-AL:100uF,20%,16V,GP6*3*11,5MM,TP	
TC78	2401-001895	C-AL:100uF,20%,16V,GP6*3*11,5MM,TP	
TC79	2401-001895	C-AL:100uF,20%,16V,GP6*3*11,5MM,TP	
TC80	2401-001895	C-AL:100uF,20%,16V,GP6*3*11,5MM,TP	
CC3	2401-001895	C-AL:100uF,20%,16V,GP6*3*11,5MM,TP	
JC19	2401-001895	C-AL:100uF,20%,16V,GP6*3*11,5MM,TP	
JC75	2401-001895	C-AL:100uF,20%,16V,GP6*3*11,5MM,TP	
QC10	2401-001895	C-AL:100uF,20%,16V,GP6*3*11,5MM,TP	
TC6	2401-001954	C-AL:4.7uF,20%,50V,GP5*11,5MM,TP	
TC11	2401-001954	C-AL:4.7uF,20%,50V,GP5*11,5MM,TP	
TC10	2401-001954	C-AL:4.7uF,20%,50V,GP5*11,5MM,TP	
QCR9	2401-001954	C-AL:4.7uF,20%,50V,GP5*11,5MM,TP	
QCL9	2401-001954	C-AL:4.7uF,20%,50V,GP5*11,5MM,TP	
AC8	2401-001969	C-AL:470nF,20%,25V,GP10x12mm,5mm,T	
AC7	2401-001969	C-AL:470nF,20%,25V,GP10x12mm,5mm,T	
QCR1	2401-002180	C-AL:2.2uF,20%,50V,GP5*11,5mm,TP	
QCR2	2401-002180	C-AL:2.2uF,20%,50V,GP5*11,5mm,TP	
QCR3	2401-002180	C-AL:2.2uF,20%,50V,GP5*11,5mm,TP	
QCR4	2401-002180	C-AL:2.2uF,20%,50V,GP5*11,5mm,TP	
QCR5	2401-002180	C-AL:2.2uF,20%,50V,GP5*11,5mm,TP	
QCL5	2401-002180	C-AL:2.2uF,20%,50V,GP5*11,5mm,TP	
JC56	2401-002180	C-AL:2.2uF,20%,50V,GP5*11,5mm,TP	
QCL1	2401-002180	C-AL:2.2uF,20%,50V,GP5*11,5mm,TP	
QCL2	2401-002180	C-AL:2.2uF,20%,50V,GP5*11,5mm,TP	
QCL3	2401-002180	C-AL:2.2uF,20%,50V,GP5*11,5mm,TP	
QCL4	2401-002180	C-AL:2.2uF,20%,50V,GP5*11,5mm,TP	
AC20	2401-002258	C-AL:4700uF,20%,50V,GP22x40MM,5MM	
HL2	2701-000111	INDUCTOR-AXIAL;100uH,10%,2.5x3.4,LAL02TB	
HL1	2701-000111	INDUCTOR-AXIAL;100uH,10%,2.5x3.4,LAL02TB	
TX2	2801-000734	CRYSTAL-UNIT;7.2MHz,50ppm,28-AAM,12pF,30	
AJ1	3716-000209	TERMINAL-BLOCK;--,80V,7A	
AUX1	3722-000377	JACK-RCA,4P/2C,3.5mm,#16--22,SN	
RIC1	AC14-12001G	IC-POS:ADJ.SW REG.;KA78L05Z-TA,TO-92,3P	
JIC2	AH14-10002H	IC:LA2010,,	
MIC7	AH14-10007G	IC:LCT7213D,DIP,STICK PLL	
MIC6	AH14-10008B	IC:LA1837	
TFT1	AH26-10001E	TRANS-IF;K940228-09,;,7.6x12.0,.,450	
JT1	AH26-10003C	COIL-TRAP;PCHNS-5371EQJ,BIAS-TRAP;.,85	
TFT2	AH26-10020A	TRANS-DET;7KLL,DET,-7.8 ,91 F,1	
TL11	AH27-00008A	COIL-OSC:LK575E00-X000280-0,.,MW,OSC	
TL10	AH27-00012A	COIL-OSC:LK575E00-X000279-0,365UH,MWANT	
AL4	AH27-90001A	COIL-SPRING;2.2UH,.,SPRING	
AL3	AH27-90001A	COIL-SPRING;2.2UH,.,SPRING	
AL2	AH27-90001A	COIL-SPRING;2.2UH,.,SPRING	
AL1	AH27-90001A	COIL-SPRING;2.2UH,.,SPRING	
TQ3	AH81-00383G	TR-SMALL,0329-9012H-17,SS9012H,.,.,.	
QQR1	AH81-00383G	TR-SMALL,0329-9012H-17,SS9012H,.,.,.	
QQL1	AH81-00383G	TR-SMALL,0329-9012H-17,SS9012H,.,.,.	
QQ3	AH81-00383G	TR-SMALL,0329-9012H-17,SS9012H,.,.,.	
JQ4	AH81-00383G	TR-SMALL,0329-9012H-17,SS9012H,.,.,.	
JQR3	AH81-00383H	TR-SMALL,0329-9014C-17,SS9014C,.,.,.	
JQR2	AH81-00383H	TR-SMALL,0329-9014C-17,SS9014C,.,.,.	
JQL3	AH81-00383H	TR-SMALL,0329-9014C-17,SS9014C,.,.,.	
TQ10	AH81-00383H	TR-SMALL,0329-9014C-17,SS9014C,.,.,.	
TQ5	AH81-00383H	TR-SMALL,0329-9014C-17,SS9014C,.,.,.	
TQ8	AH81-00383H	TR-SMALL,0329-9014C-17,SS9014C,.,.,.	
TQ9	AH81-00383H	TR-SMALL,0329-9014C-17,SS9014C,.,.,.	
JQL2	AH81-00383H	TR-SMALL,0329-9014C-17,SS9014C,.,.,.	
AQ16	AH81-00383H	TR-SMALL,0329-9014C-17,SS9014C,.,.,.	
AQ18	AH81-00383H	TR-SMALL,0329-9014C-17,SS9014C,.,.,.	
AQ6	AH81-00383H	TR-SMALL,0329-9014C-17,SS9014C,.,.,.	
AQ8	AH81-00383H	TR-SMALL,0329-9014C-17,SS9014C,.,.,.	
JQ9	AH81-00383H	TR-SMALL,0329-9014C-17,SS9014C,.,.,.	
JQ11	AH81-00383H	TR-SMALL,0329-9014C-17,SS9014C,.,.,.	
JQ10	AH81-00383H	TR-SMALL,0329-9014C-17,SS9014C,.,.,.	

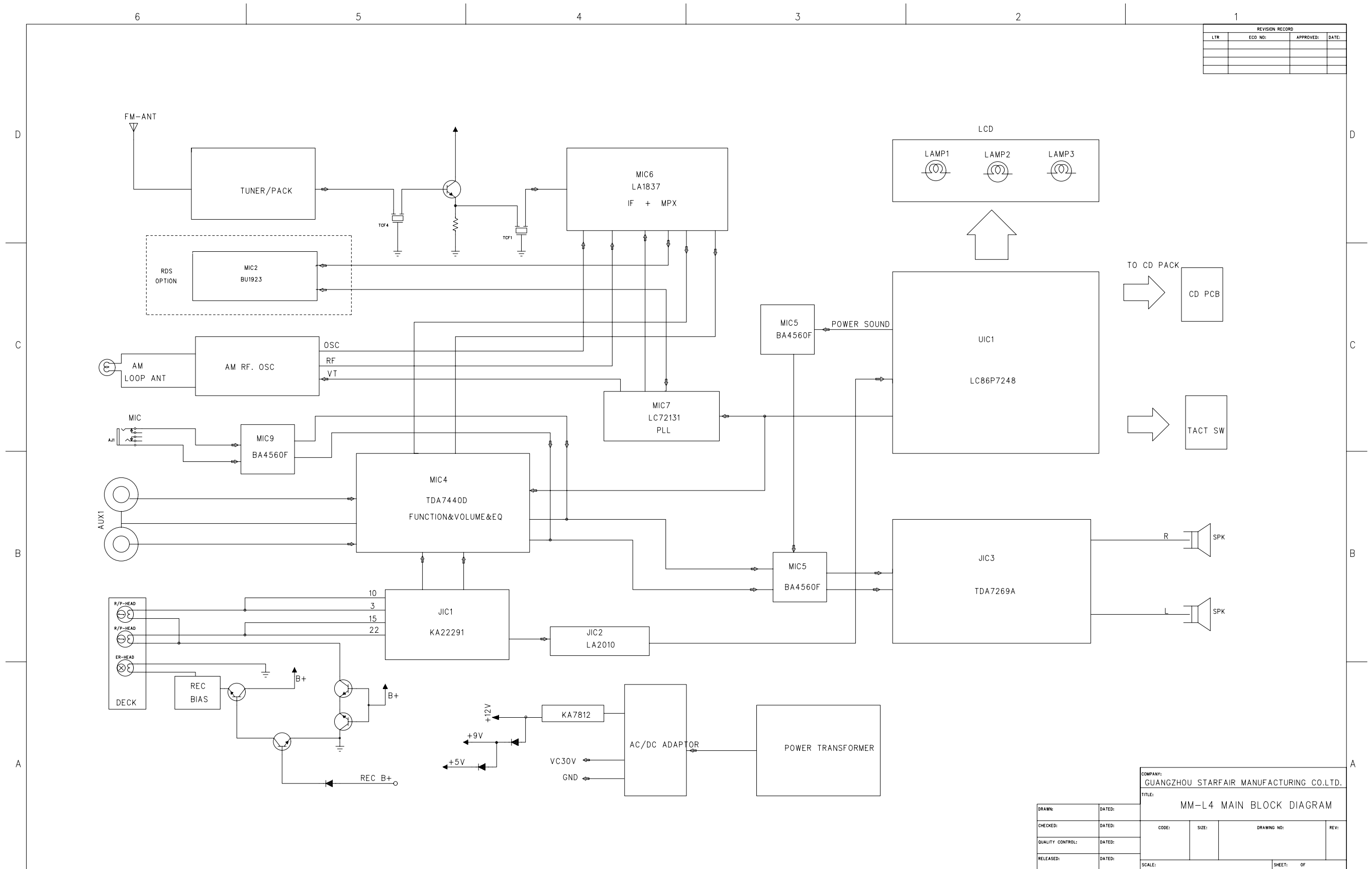
Location no.	Code no.	Description & Specification	Remarks
AD20	AH81-00383K	DIODE-RECTIFIER FIER;0344-14004-08,1	
AD21	AH81-00383K	DIODE-RECTIFIER FIER;0344-14004-08,1	
AD22	AH81-00383K	DIODE-RECTIFIER FIER;0344-14004-08,1	
AD23	AH81-00383K	DIODE-RECTIFIER FIER;0344-14004-08,1	
AD8	AH81-00383K	DIODE-RECTIFIER FIER;0344-14004-08,1	
CD1	AH81-00383K	DIODE-RECTIFIER FIER;0344-14004-08,1	
AD1	AH81-00383K	DIODE-RECTIFIER FIER;0344-14004-08,1	
AD10	AH81-00383K	DIODE-RECTIFIER FIER;0344-14004-08,1	
AD11	AH81-00383K	DIODE-RECTIFIER FIER;0344-14004-08,1	
AD12	AH81-00383K	DIODE-RECTIFIER FIER;0344-14004-08,1	
AD13	AH81-00383K	DIODE-RECTIFIER FIER;0344-14004-08,1	
AD2	AH81-00383K	DIODE-RECTIFIER FIER;0344-14004-08,1	
EJ1	AH81-00384J	A/S PART-JACK-PHONE;0322-10147-00,.,EJS-	
	AH81-00549D	A/S PART-PCB-WASHER BOARD;0320-MML45-00,	
MJ3	AH81-00549D	A/S PART-CONNECTOR-HEADER;0321-02024-10,	
PJ1	AH81-00549E	A/S PART-CONNECTOR-HEADER;0321-06309-80,	
FWC2	AH81-00549F	A/S PART-CONNECTOR-HEADER;0321-11009-80,	
FWC1	AH81-00549F	A/S PART-CONNECTOR-HEADER;0321-11009-80,	
MWF5	AH81-00549G	A/S PART-CONNECTOR ASSY;0321-05130-120,	
JCW2	AH81-00549H	A/S PART-CONNECTOR ASSY;0321-08250-835A	
FM ANT	AH81-00549L	A/S PART-JACK-TERMINAL ANT;0322-H0001-00	
JIC3	AH81-00549M	A/S PART-IC-POWER AMP;0330-7269A-06,TD47	
JQ7	AH81-00549N	A/S PART-TR;0329-0103M-22,.,KRA103M,.,.,	
AQ9	AH81-00549N	A/S PART-TR;0329-0103M-22,.,KRA103M,.,.,	
AQ1	AH81-00549P	A/S PART-TR-POWER;0329-B1370-21,25B1370/	
TCF1	AH81-00549R	A/S PART-FILTER-CERAMIC;0342-24508-19,SF	
TCF3	AH81-00549S	A/S PART-FILTER-CERAMIC;0342-LT107-19,LT	
TCF4	AH81-00549S	A/S PART-FILTER-CERAMIC;0342-LT107-19,LT	
TVR1	AH81-00568D	A/S PART-VR-SEMI;0334-32020-02K,.,20K,.,	
P-MAIN	AH81-00612A	A/S PART-PCB MAIN BOARD;0320-MM-41-00,1	
<b>AH92-01300M ASSY PCB-FRONT;MM-L4RH,FRONT,ELS</b>			
VD3	0401-000101	DIODE-SWITCHING;1N4148,100V,200mA,DO-35,	
VD2	0401-000101	DIODE-SWITCHING;1N4148,100V,200mA,DO-35,	
VD1	0401-000101	DIODE-SWITCHING;1N4148,100V,200mA,DO-35,	
VQ1	0501-000398	TR-SMALL SIGNAL;KSC945,NPN,250mW,TO-92,T	
VQ4	0501-000422	TR-SMALL SIGNAL;KTA1273,PNP,-30V,-30V,-2	
VQ6	0501-000422	TR-SMALL SIGNAL;KTA1273,PNP,-30V,-30V,-2	
VQ2	0501-000610	TR-SMALL SIGNAL;KSA928A-Y,PNP,1W,TO-92L,	
VQ3	0504-000118	TR-DIGITAL;KSR1003,NPN,300mW,22K/22K,TO-	
VQ5	0504-000118	TR-DIGITAL;KSR1003,NPN,300mW,22K/22K,TO-	
VR41	2001-000119	R-CARBON;680ohm,5%,1/4W,AA,TP,2.4x6.4mm	
VR39	2001-000119	R-CARBON;680ohm,5%,1/4W,AA,TP,2.4x6.4mm	
VR49	2001-000241	R-CARBON;1.5Kohm,5%,1/8W,AA,TP,1.8x3.2mm	
VR21	2001-000241	R-CARBON;1.5Kohm,5%,1/8W,AA,TP,1.8x3.2mm	
VR36	2001-000273	R-CARBON;100Kohm,5%,1/8W,AA,TP,1.8x3.2mm	
VR54	2001-000281	R-CARBON;100ohm,5%,1/8W,AA,TP,1.8x3.2mm	
VR40	2001-000281	R-CARBON;100ohm,5%,1/8W,AA,TP,1.8x3.2mm	
VR38	2001-000281	R-CARBON;100ohm,5%,1/8W,AA,TP,1.8x3.2mm	
OR1	2001-000290	R-CARBON;10Kohm,5%,1/8W,AA,TP,1.8x3.2mm	
VR46	2001-000449	R-CARBON;2.2Kohm,5%,1/8W,AA,TP,1.8x3.2mm	
VR33	2001-000472	R-CARBON;2.7Kohm,5%,1/8W,AA,TP,1.8x3.2mm	
VE48	2001-000472	R-CARBON;2.7Kohm,5%,1/8W,AA,TP,1.8x3.2mm	
VR34	2001-000591	R-CARBON;3.3Kohm,5%,1/8W,AA,TP,1.8x3.2mm	
VR35	2001-000802	R-CARBON;5.6Kohm,5%,1/8W,AA,TP,1.8x3.2mm	
VR29	2001-000802	R-CARBON;5.6Kohm,5%,1/8W,AA,TP,1.8x3.2mm	
VR6	2001-000855	R-CARBON;560ohm,5%,1/4W,AA,TP,2.4x6.4mm	
VJ1	2007-000029	R-CHIP;00HM,5%,1/10W,DA,TP,2012	
J58	2007-000029	R-CHIP;00HM,5%,1/10W,DA,TP,2012	
J4	2007-000029	R-CHIP;00HM,5%,1/10W,DA,TP,2012	
J13	2007-000029	R-CHIP;00HM,5%,1/10W,DA,TP,2012	
J69	2007-000070	R-CHIP;00HM,5%,1/16W,DA,TP,1608	
J66	2007-000070	R-CHIP;00HM,5%,1/16W,DA,TP,1608	
J59	2007-000070	R-CHIP;00HM,5%,1/16W,DA,TP,1608	
J70	2007-000070	R-CHIP;00HM,5%,1/16W,DA,TP,1608	
J72	2007-000070	R-CHIP;00HM,5%,1/16W,DA,TP,1608	
J75	2007-000070	R-CHIP;00HM,5%,1/16W,DA,TP,1608	
J166	2007-000070	R-CHIP;00HM,5%,1/16W,DA,TP,1608	
J167	2007-000070	R-CHIP;00HM,5%,1/16W,DA,TP,1608	
J177	2007-000070	R-CHIP;00HM,5%,1/16W,DA,TP,1608	
J48	2007-000070	R-CHIP;00HM,5%,1/16W,DA,TP,1608	
J28	2007-000070	R-CHIP;00HM,5%,1/16W,DA,TP,1608	
J187	2007-000070	R-CHIP;00HM,5%,1/16W,DA,TP,1608	
VR53	2007-000102	R-CHIP;100Kohm,5%,1/16W,DA,TP,1608	
VR52	2007-000102	R-CHIP;100Kohm,5%,1/16W,DA,TP,1608	
VR51	2007-000102	R-CHIP;100Kohm,5%,1/16W,DA,TP,1608	
VR50	2007-000102	R-CHIP;100Kohm,5%,1/16W,DA,TP,1608	
VR31	2007-000241	R-CHIP;1.5KOHM,5%,1/10W,DA,TP,2012	
VR32	2007-000241	R-CHIP;1.5KOHM,5%,1/10W,DA,TP,2012	
VR8	2007-000241	R-CHIP;1.5KOHM,5%,1/10W,DA,TP,2012	
VR9	2007-000241	R-CHIP;1.5KOHM,5%,1/10W,DA,TP,2012	
VR13	2007-000241	R-CHIP;1.5KOHM,5%,1/10W,DA,TP,2012	
VR14	2007-000241	R-CHIP;1.5KOHM,5%,1/10W,DA,TP,2012	
VR22	2007-000241	R-CHIP;1.5KOHM,5%,1/10W,DA,TP,2012	
VR26	2007-000241	R-CHIP;1.5KOHM,5%,1/10W,DA,TP,2012	
VR47	2007-000290	R-CHIP;100OHM,5%,1/10W,DA,TP,2012	
VR7	2007-000300	R-CHIP;10KOHM,5%,1/10W,DA,TP,2012	
VR30	2007-000300	R-CHIP;10KOHM,5%,1/10W,DA,TP,2012	
VR20	2007-000300	R-CHIP;10KOHM,5%,1/10W,DA,TP,2012	
VR19	2007-000300	R-CHIP;10KOHM,5%,1/10W,DA,TP,2012	
VR18	2007-000300	R-CHIP;10KOHM,5%,1/10W,DA,TP,2012	
VR57	2007-000477	R-CHIP;1MOHM,5%,1/10W,DA,TP,2012	
VR5	2007-000493	R-CHIP;2.2KOHM,5%,1/10W,DA,TP,2012	

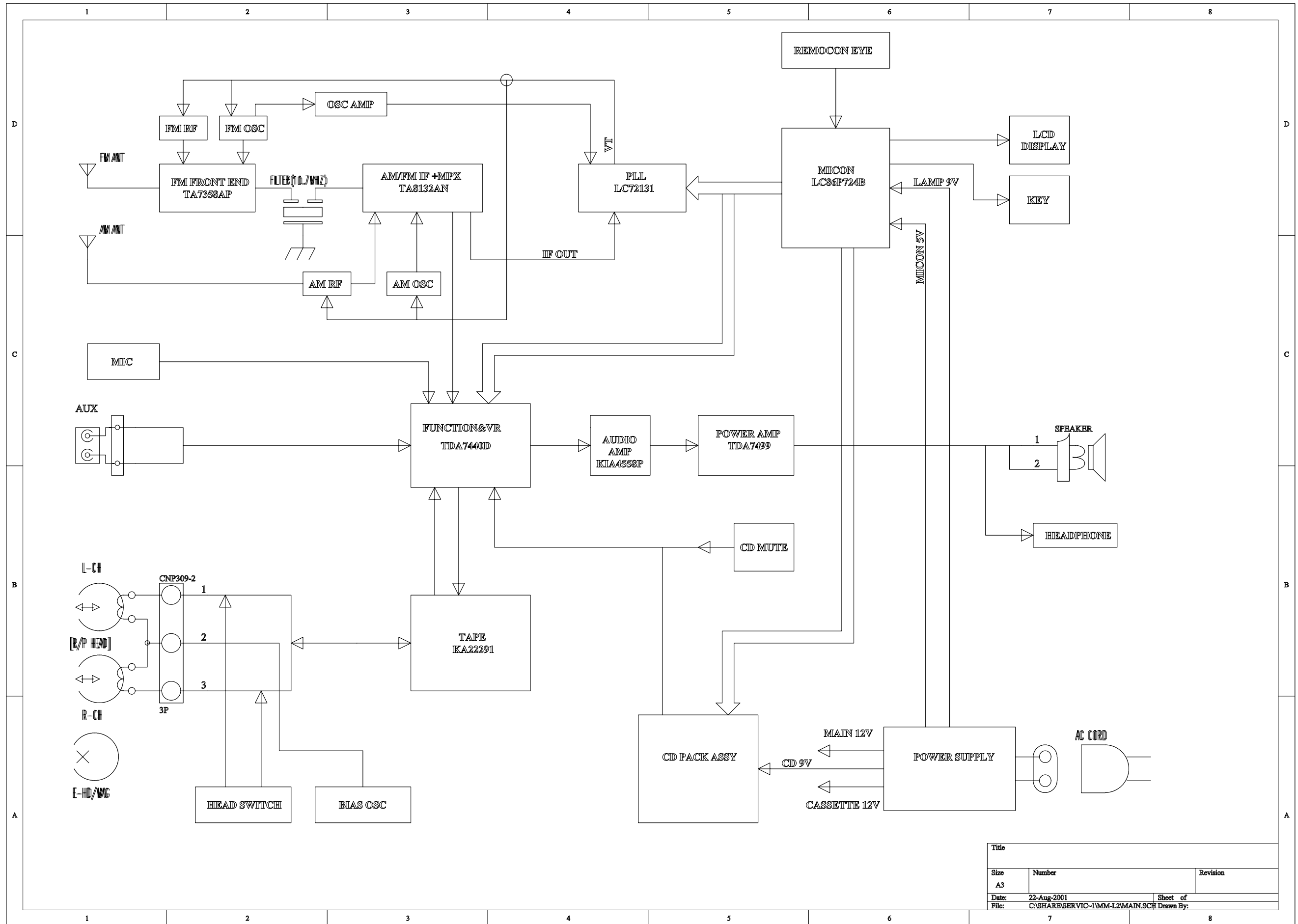
Location no.	Code no.	Description & Specification	Remarks
VR42	2007-000493	R-CHIP:2.2KOHM,5%,1/10W,DA,TP,2012	
VR3	2007-000493	R-CHIP:2.2KOHM,5%,1/10W,DA,TP,2012	
VR23	2007-000518	R-CHIP:2.7KOHM,5%,1/10W,DA,TP,2012	
VR15	2007-000518	R-CHIP:2.7KOHM,5%,1/10W,DA,TP,2012	
VR10	2007-000518	R-CHIP:2.7KOHM,5%,1/10W,DA,TP,2012	
VR2	2007-000565	R-CHIP:220KOHM,5%,1/10W,DA,TP,2012	
VR1	2007-000572	R-CHIP:220OHM,5%,1/10W,DA,TP,2012	
VR27	2007-000682	R-CHIP:3.3KOHM,1%,1/10W,DA,TP,2012	
VR24	2007-000682	R-CHIP:3.3KOHM,1%,1/10W,DA,TP,2012	
VR16	2007-000682	R-CHIP:3.3KOHM,1%,1/10W,DA,TP,2012	
VR11	2007-000682	R-CHIP:3.3KOHM,1%,1/10W,DA,TP,2012	
VR28	2007-000981	R-CHIP:5.6KOHM,5%,1/10W,DA,TP,2012	
VR25	2007-000981	R-CHIP:5.6KOHM,5%,1/10W,DA,TP,2012	
VR17	2007-000981	R-CHIP:5.6KOHM,5%,1/10W,DA,TP,2012	
VR12	2007-000981	R-CHIP:5.6KOHM,5%,1/10W,DA,TP,2012	
VR56	2007-001024	R-CHIP:560KOHM,5%,1/10W,DA,TP,2012	
VR4	2007-001071	R-CHIP:6.8KOHM,5%,1/10W,DA,TP,2012	
VR37	2007-001071	R-CHIP:6.8KOHM,5%,1/10W,DA,TP,2012	
VR55	2007-001654	R-CHIP:10MOHM,1%,1/10W,DA,TP,201	
VC16	2201-000381	C-CERAMIC,DISC:22nF,+80%-20% 50V Y5V 8.	
VC14	2201-000381	C-CERAMIC,DISC:22nF,+80%-20% 50V Y5V 8.	
VC4	2203-000575	C-CERAMIC,CHIP:220nF,10%,50V,X7R,2012,-	
VC3	2203-000575	C-CERAMIC,CHIP:220nF,10%,50V,X7R,2012,-	
VC11	2203-000575	C-CERAMIC,CHIP:220nF,10%,50V,X7R,2012,-	
VC22	2203-000595	C-CERAMIC,CHIP:220PF,5%,50V,NPO,TP,2012	
VC21	2203-000595	C-CERAMIC,CHIP:220PF,5%,50V,NPO,TP,2012	
VC20	2203-000595	C-CERAMIC,CHIP:220PF,5%,50V,NPO,TP,2012	
VC9	2203-001517	C-CERAMIC,CHIP:15PF,5%,50V,NPO,2012	
VC10	2203-001517	C-CERAMIC,CHIP:15PF,5%,50V,NPO,2012	
VC12	2203-001551	C-CERAMIC,CHIP:1.5nF,10%,50V,X7R,2012,-	
VC7	2203-001611	C-CERAMIC,CHIP:22pF,5%,50V,NPO,2012,-TP	
VC8	2203-001611	C-CERAMIC,CHIP:22pF,5%,50V,NPO,2012,-TP	
VC5	2401-000759	C-AL:220NF,20%,50V,GP,5X11MM,5MM,TP	
VC13	2401-001895	C-AL:100uF,20%,16V,GP,6.3*11,5MM,TP	
VC15	2401-001895	C-AL:100uF,20%,16V,GP,6.3*11,5MM,TP	
VC2	2401-001895	C-AL:100uF,20%,16V,GP,6.3*11,5MM,TP	
VC6	2401-001954	C-AL:4.7UF,20%,50V,GP,5*11,5MM,TP	
VC1	2401-001969	C-AL:470uF,20%,25V,GP,10x12mm,5mm,T	
VL1	2701-000111	INDUCTOR-AXIAL:100uH,10%,2.5x3.4,LAL02TB	
VL2	2701-000298	INDUCTOR-AXIAL:AX470UH 04	
VX1	2801-001394	CRYSTAL-UNIT:32.768KHz,20ppm,28-AA,Y,12.5	
VX2	2802-000181	RESONATOR-CERAMIC:6MHZ,0.3%,BK,9.0X4.0X7	
SW19	3404-000165	SWITCH-TACT:12V,50mA,160gf,SKHV10910A	
SW2	3404-000165	SWITCH-TACT:12V,50mA,160gf,SKHV10910A	
SW3	3404-000165	SWITCH-TACT:12V,50mA,160gf,SKHV10910A	
SW4	3404-000165	SWITCH-TACT:12V,50mA,160gf,SKHV10910A	
SW5	3404-000165	SWITCH-TACT:12V,50mA,160gf,SKHV10910A	
SW6	3404-000165	SWITCH-TACT:12V,50mA,160gf,SKHV10910A	
SW7	3404-000165	SWITCH-TACT:12V,50mA,160gf,SKHV10910A	
SW8	3404-000165	SWITCH-TACT:12V,50mA,160gf,SKHV10910A	
SW9	3404-000165	SWITCH-TACT:12V,50mA,160gf,SKHV10910A	
SW18	3404-000165	SWITCH-TACT:12V,50mA,160gf,SKHV10910A	
SW1	3404-000165	SWITCH-TACT:12V,50mA,160gf,SKHV10910A	
SW10	3404-000165	SWITCH-TACT:12V,50mA,160gf,SKHV10910A	
SW11	3404-000165	SWITCH-TACT:12V,50mA,160gf,SKHV10910A	
SW12	3404-000165	SWITCH-TACT:12V,50mA,160gf,SKHV10910A	
SW13	3404-000165	SWITCH-TACT:12V,50mA,160gf,SKHV10910A	
SW17	3404-000165	SWITCH-TACT:12V,50mA,160gf,SKHV10910A	
SW16	3404-000165	SWITCH-TACT:12V,50mA,160gf,SKHV10910A	
SW15	3404-000165	SWITCH-TACT:12V,50mA,160gf,SKHV10910A	
SW14	3404-000165	SWITCH-TACT:12V,50mA,160gf,SKHV10910A	
LAMP2	4713-000158	LAMP-NEON:9V,75mA,0.7W,TRP:3x5.3mm,-	
LAMP1	4713-000158	LAMP-NEON:9V,75mA,0.7W,TRP:3x5.3mm,-	
LAMP3	4713-000158	LAMP-NEON:9V,75mA,0.7W,TRP:3x5.3mm,-	
VD8	AH81-00383K	DIODE-RECTIFIER FIER;0344-14004-08,J	
VD7	AH81-00383K	DIODE-RECTIFIER FIER;0344-14004-08,J	
VD5	AH81-00383K	DIODE-RECTIFIER FIER;0344-14004-08,J	
VD4	AH81-00383K	DIODE-RECTIFIER FIER;0344-14004-08,J	
UIC1	AH81-00549A	A/S PART-MASK-ROM:0330-P7248-02,LC867232	
VCW1	AH81-00549D	A/S PART-CONNECTOR-HEADER:0321-02024-10,	
CT-PCB	AH81-00549T	A/S PART-PCB-FRONT BOARD:0320-MML42-00,1	
VCW4	AH81-00549V	A/S PART-CONNECTOR-HEADER:0321-10138-GO,	
UCW3	AH81-00549W	A/S PART-CONNECTOR-ASSY:0321-11050-835,	
UCW2	AH81-00549W	A/S PART-CONNECTOR-ASSY:0321-11050-835,	
FCW3	AH81-00549X	A/S PART-CONNECTOR-ASSY:0321-13160-835A	
	AH81-00549Y	A/S PART-CABLE-FLAT:0321-10300-GO,-10P-	
VLED1	AH81-00549Z	A/S PART-LED:0346-20080-00,3MM,RED,LN28R	
	AH81-00551F	A/S PART-CAP LAMP:0109-40486-00,SILCON R	
	AH81-00551G	A/S PART-HOLDER LCD:0101-45922-00,PBT,WH	
	AH81-00551H	A/S PART-SHEET LCD:0103-43895-00,PVC60.2	
LCD	AH81-00568A	A/S PART-LCD:0347-40107-18,TCM-2850,L2/L	
REM1	AH81-00568B	A/S PART-MODULE-REMOCON:0372-M28RK-00,GP	
VWR1	AH81-00568D	A/S PART-VR-SEMI:0334-32020-02K,-20K,-	
	AH92-01301E	ASSY PCB-PCB-OPTION:MML4,RDS,LB,0001-0MM	
	2801-003601	CRYSTAL-UNIT:4.332MHZ,30PPM,28-AA,M,30PF,	
	AH14-10008E	IC,BU1923F,SOP+5V	
	AH27-00007A	COIL-OSC:LKSTF800-X000002-0,LW,OSC	
	AH27-00011A	COIL-OSC:LKSTF800-X0002276-0,LW,ANT	
TFE1	AH40-10025S	TUNER PACK,ST-F404VA-3	
AM-ANT	AH42-20001Q	LOOP-ANT:KS980214,18.5UH,CONNECTOR-2P	
RMC	AH59-00043E	REMOCON-ASSY:MML4RHEL5	
HEAD	AH81-00568Z	A/S PART-CONNECTOR-ASSY:0321-06150-837,	S.N.A.



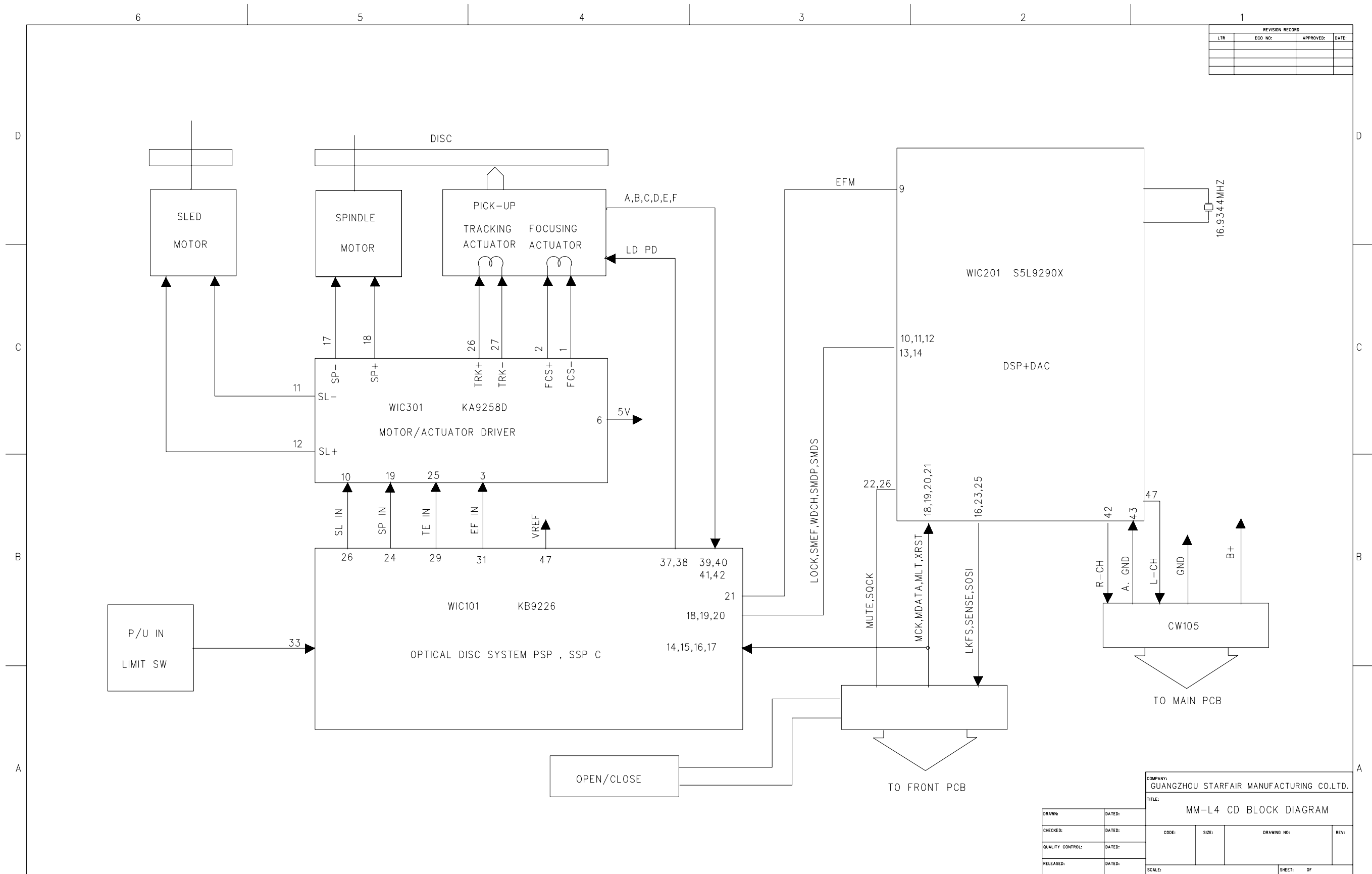
# 4. Block Diagram

## 4-1 Main : MM-L4



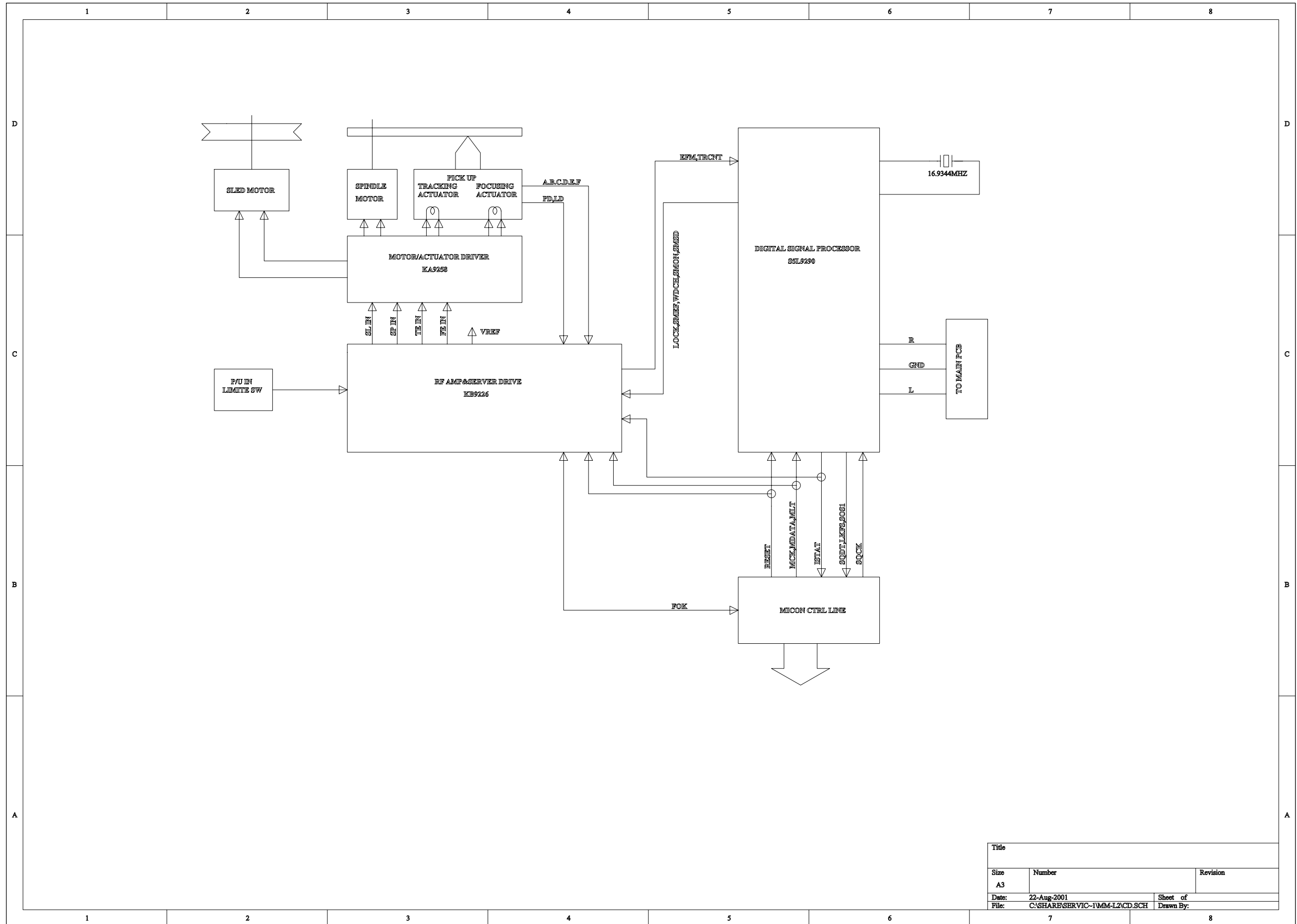


Title		
Size	Number	Revision
A3		
Date:	22-Aug-2001	Sheet of
File:	C:\SHARE\SERVIC-1\MM-L2MAIN.SCH	Drawn By:



REVISION RECORD			
LTR	ECO NO:	APPROVED:	DATE:

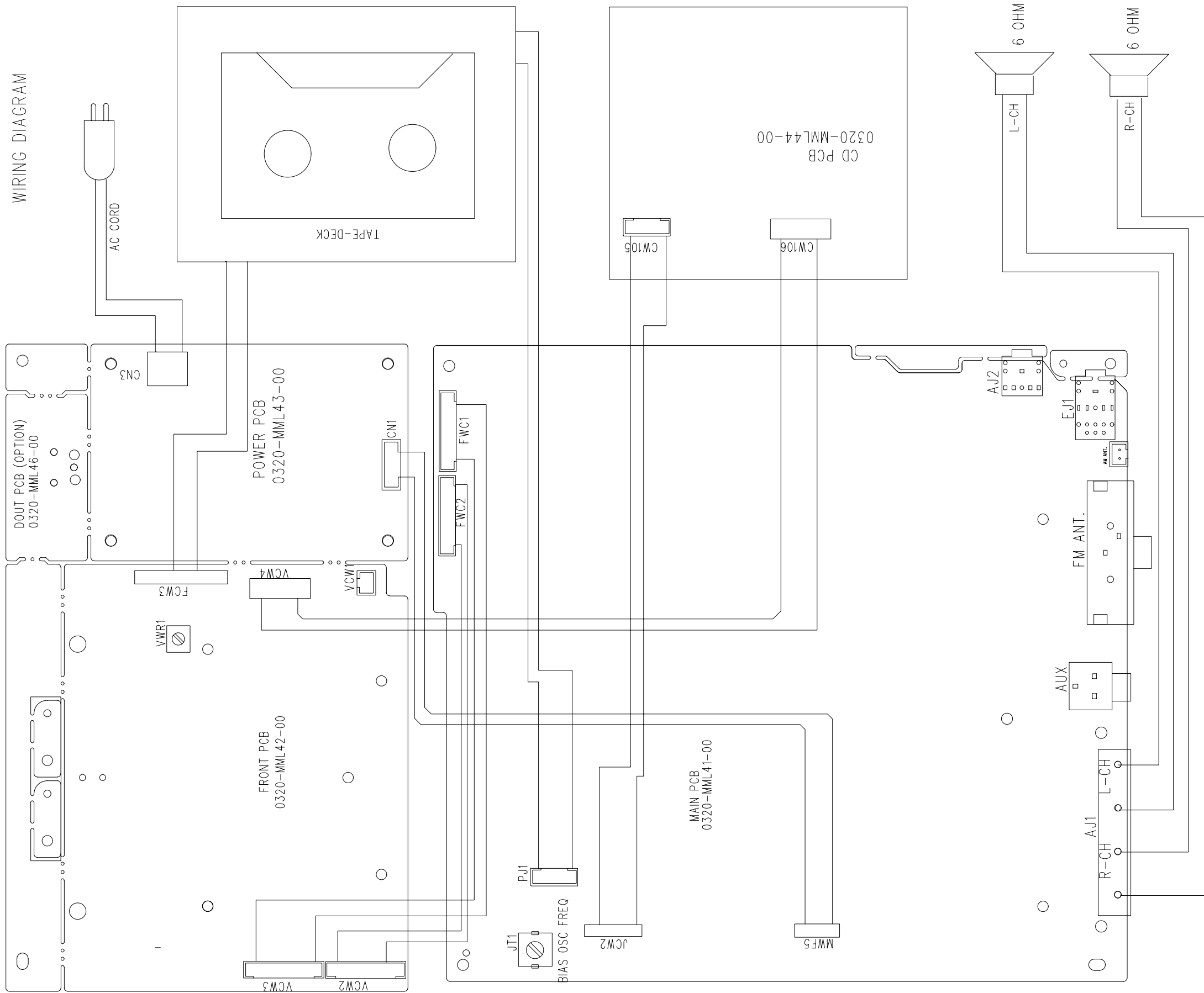
COMPANY: GUANGZHOU STARFAIR MANUFACTURING CO.LTD.			
TITLE: MM-L4 CD BLOCK DIAGRAM			
DRAWN:	DATED:	CODE:	SIZE:
CHECKED:	DATED:	DRAWING NO:	REV:
QUALITY CONTROL:	DATED:		
RELEASED:	DATED:	SCALE:	SHEET: OF

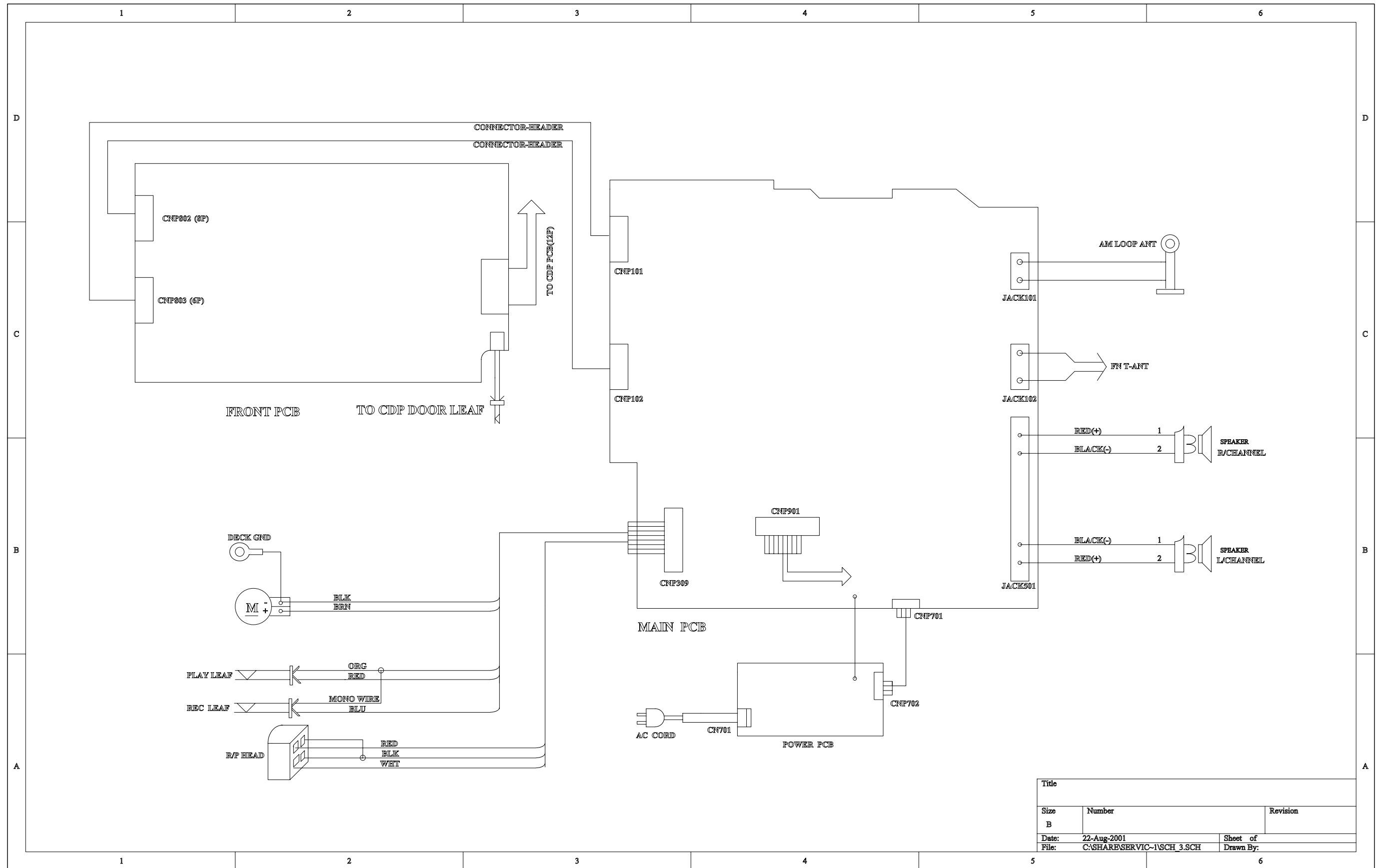


Title		
Size	Number	Revision
A3		
Date:	22-Aug-2001	Sheet of
File:	CASHARBSERVIC-1MM-L2CD.SCH	Drawn By:

# 6. Wiring Diagram

## 6-1 MM-L4

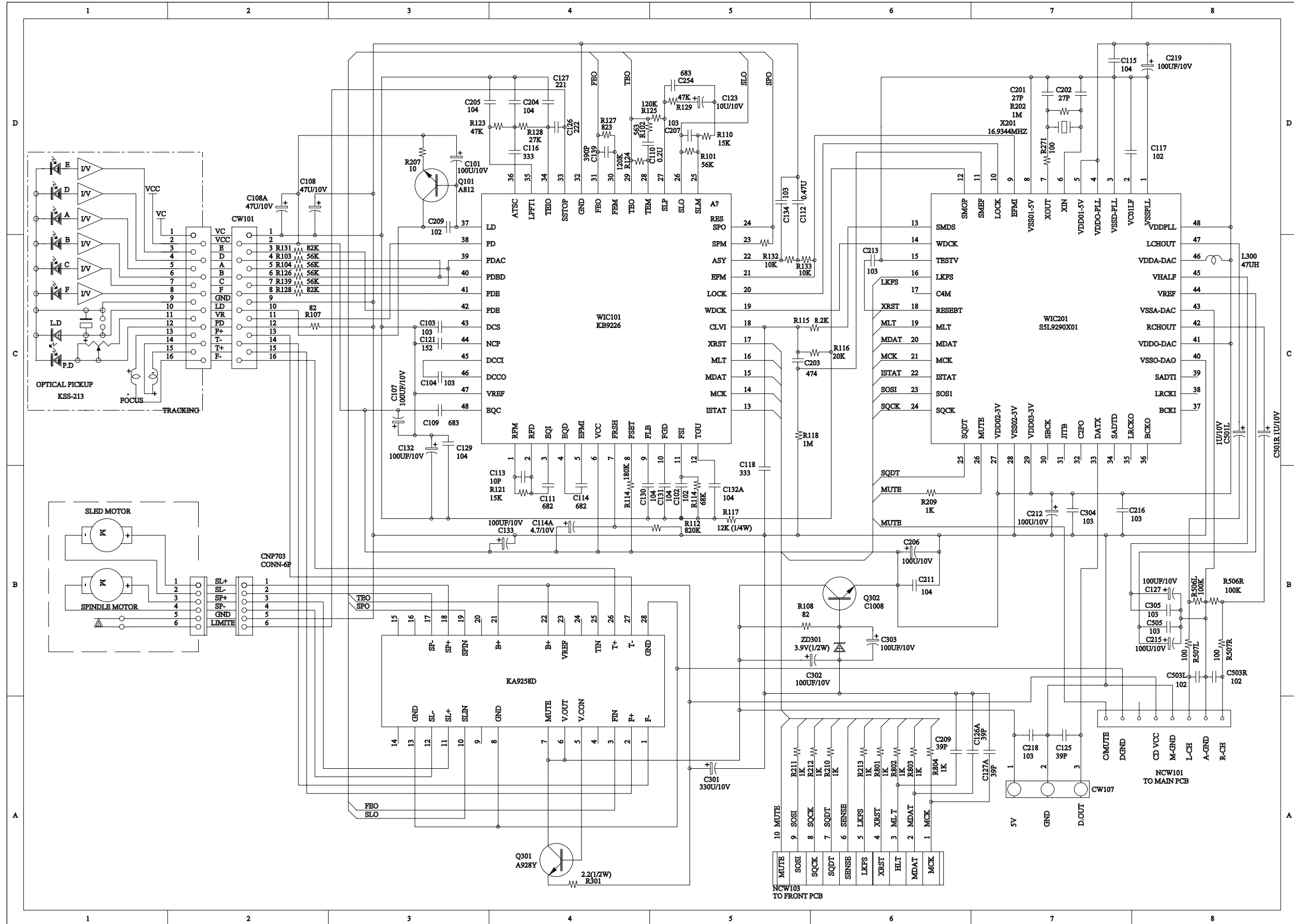


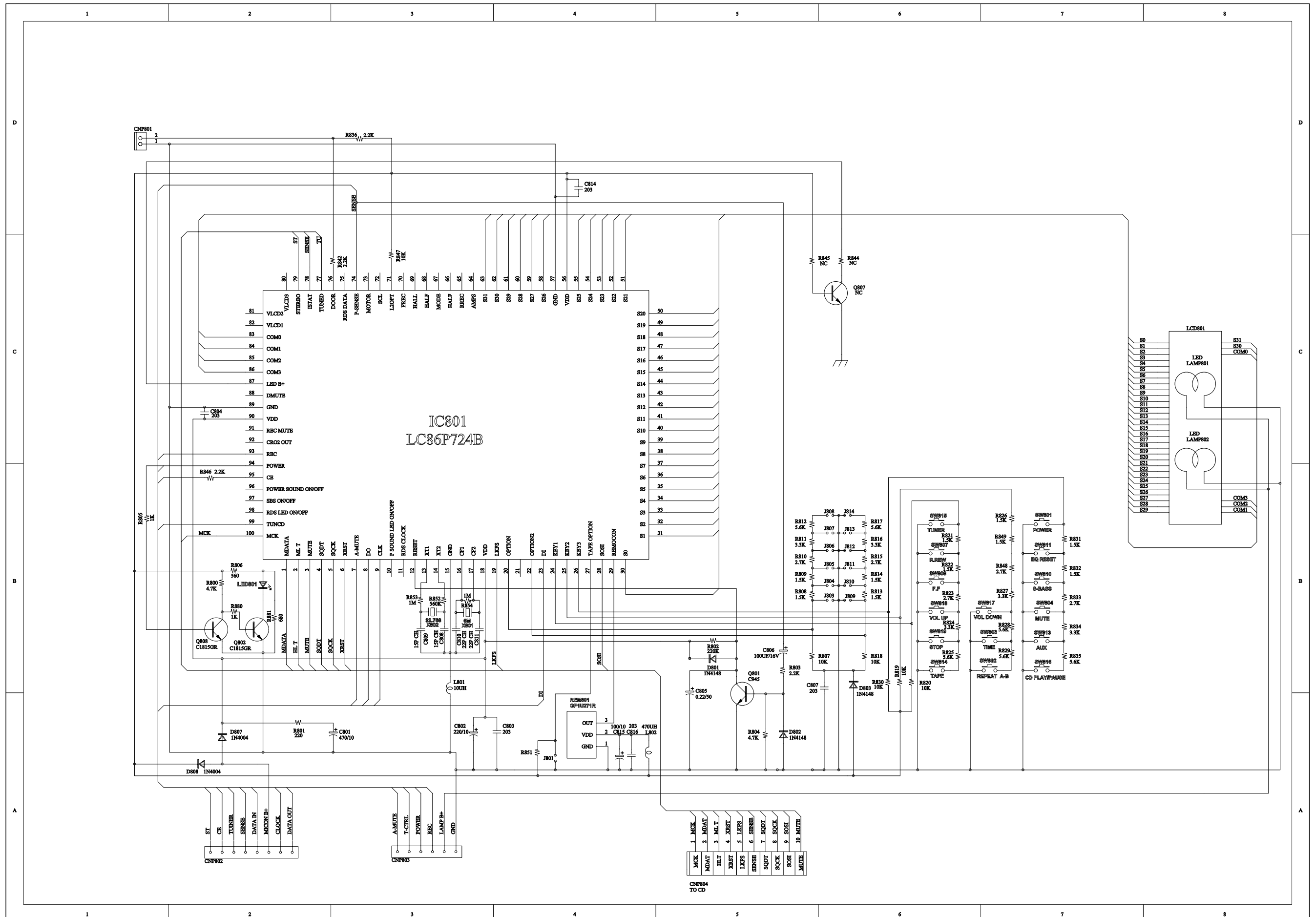


Title		
Size	Number	Revision
B		
Date:	22-Aug-2001	Sheet of
File:	C:\SHARE\SERVIC-1\SCH_3.SCH	Drawn By:

# 7. Schematic Diagram

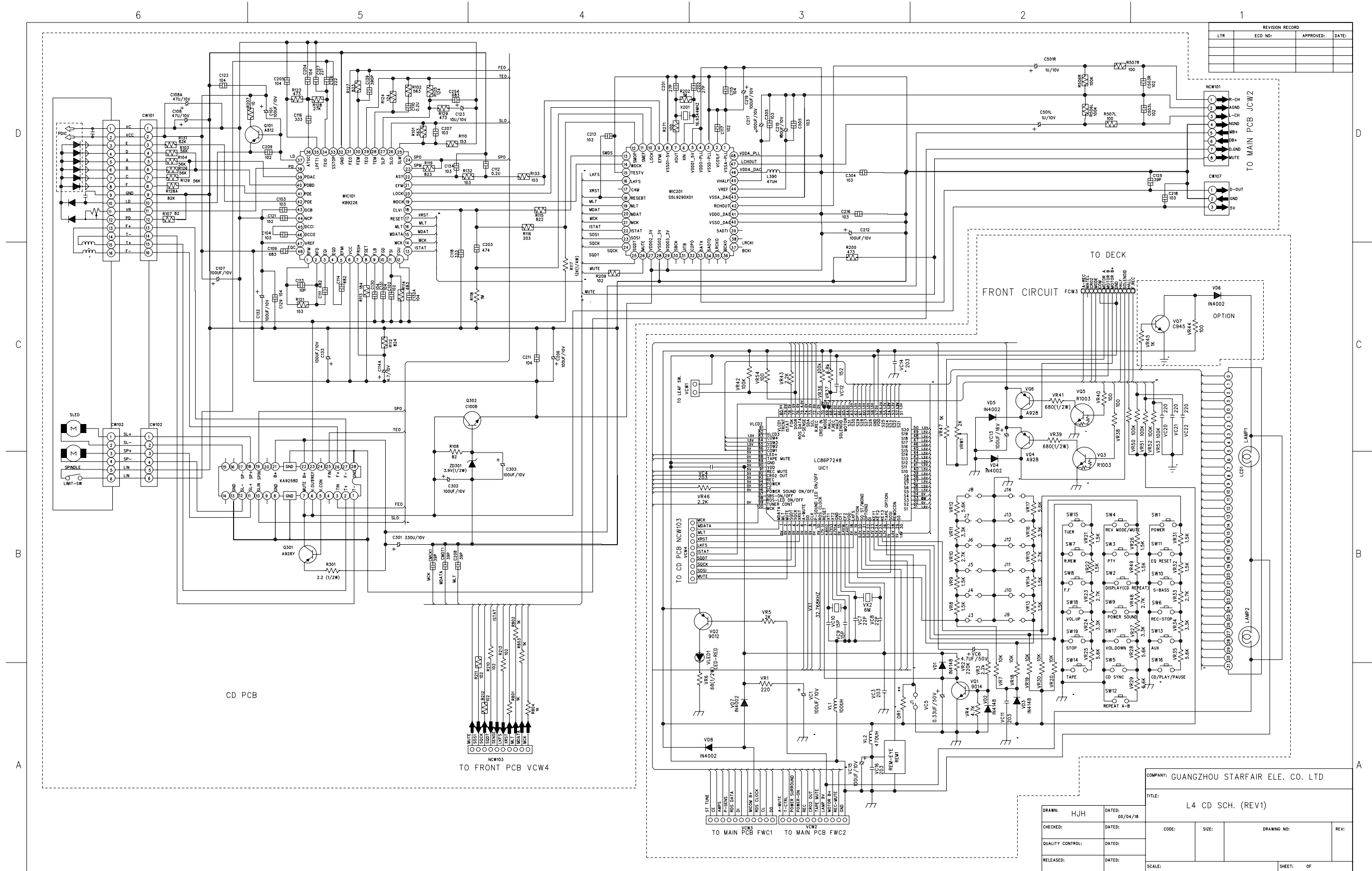
## 7-1 CD: MM-L2







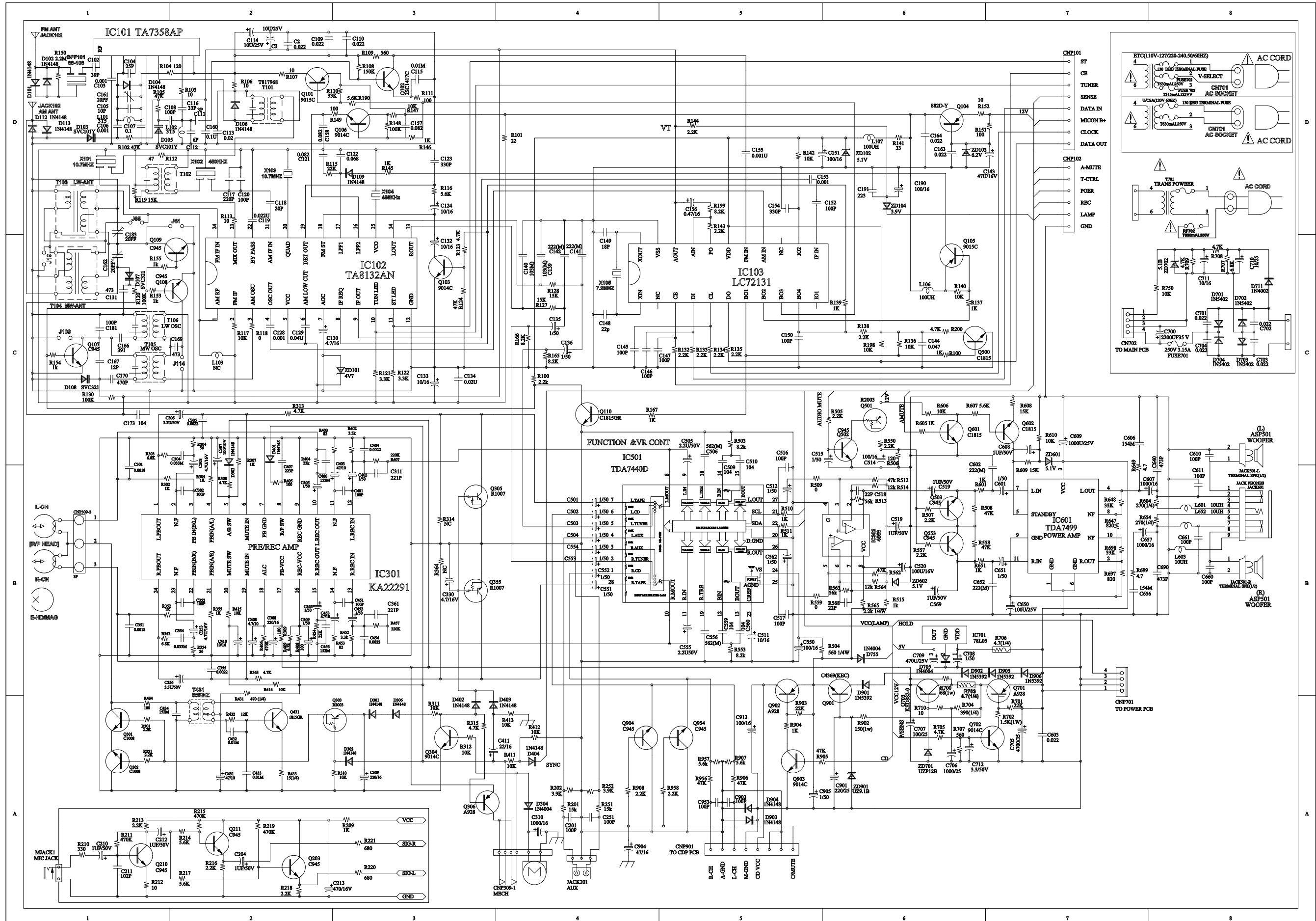
7-3 CD/Front ; MM-L4



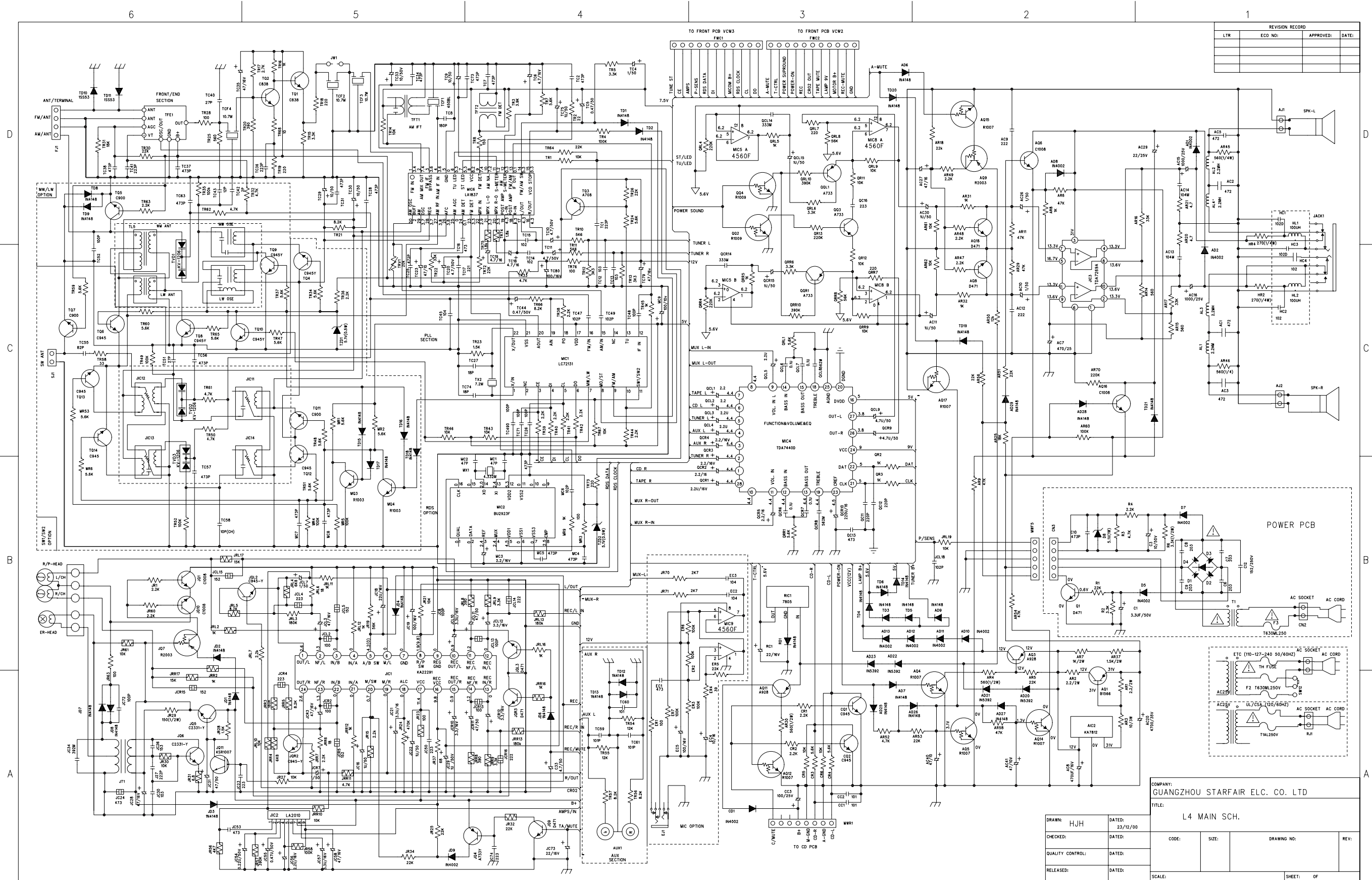
REVISION RECORD			
LTR	ECO NO:	APPROVED:	DATE:

COMPANY: GUANGZHOU STARFAIR ELE. CO. LTD			
TITLE: L4 CD SCH. (REV1)			
DRAWN: HJH	DATED: 00/04/18	CODE:	SIZE:
CHECKED:	DATED:	DRAWING NO:	REV:
QUALITY CONTROL:	DATED:	SCALE:	SHEET: OF
RELEASED:	DATED:		

7-4 MAIN/POWER : MM-L2



# 7-5 MAIN/POWER : MM-L4



REVISION RECORD			
LTR	ECO NO.	APPROVED:	DATE:

COMPANY: GUANGZHOU STARFAIR ELC. CO. LTD			
FILE: L4 MAIN SCH.			
DRAWN: HJH	DATED: 23/12/00	CODE:	SIZE:
CHECKED:	DATED:	DRAWING NO.:	REV:
QUALITY CONTROL:	DATED:	SCALE:	SHEET: OF
RELEASED:	DATED:		