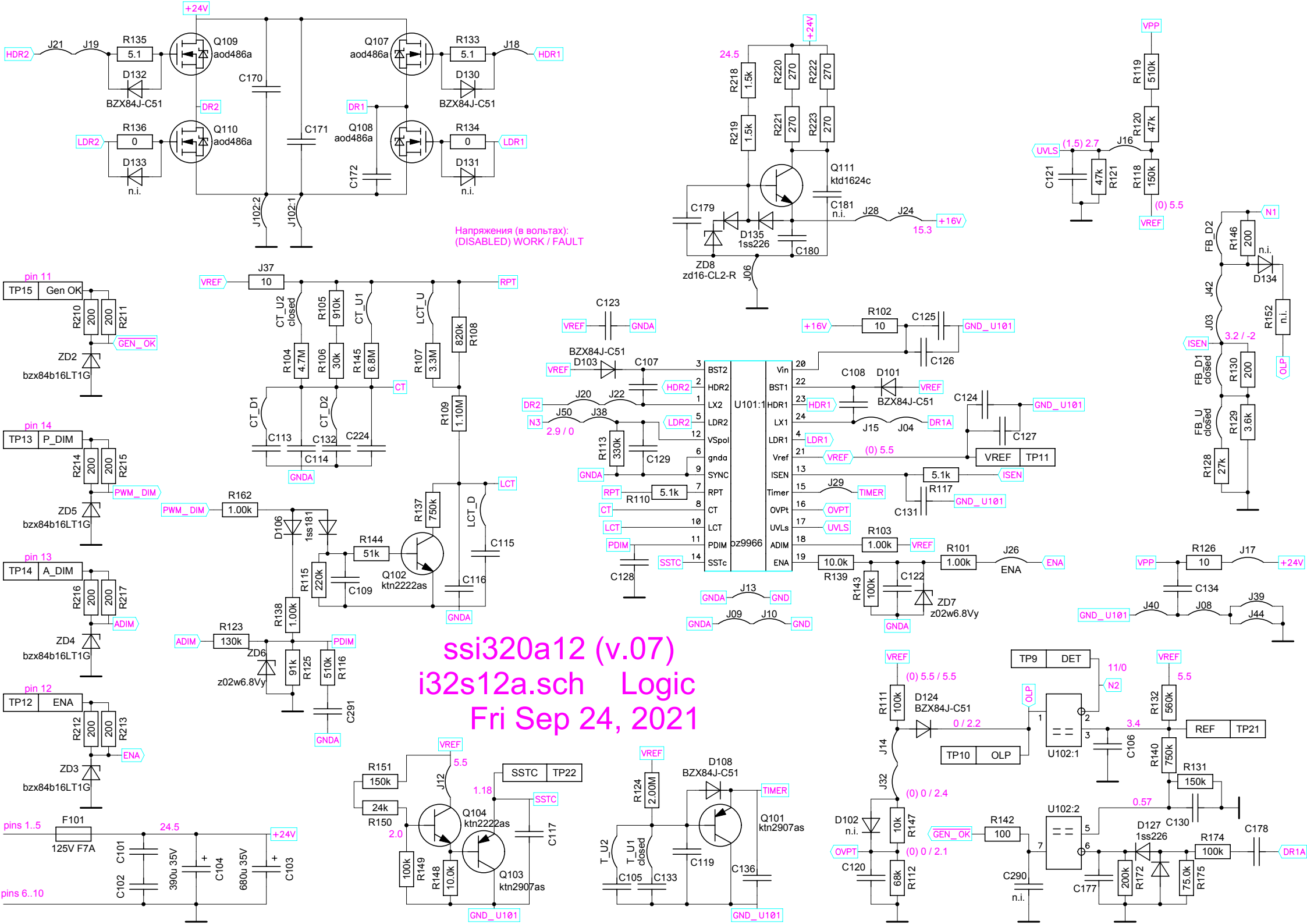


ssi320a12 (v.07)
 i32s12a.sch Power/HV
 Fri Sep 24, 2021



Напряжения (в вольтах):
(DISABLED) WORK / FAULT

ssi320a12 (v.07)
i32s12a.sch Logic
Fri Sep 24, 2021