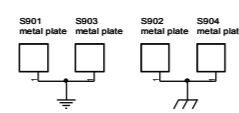
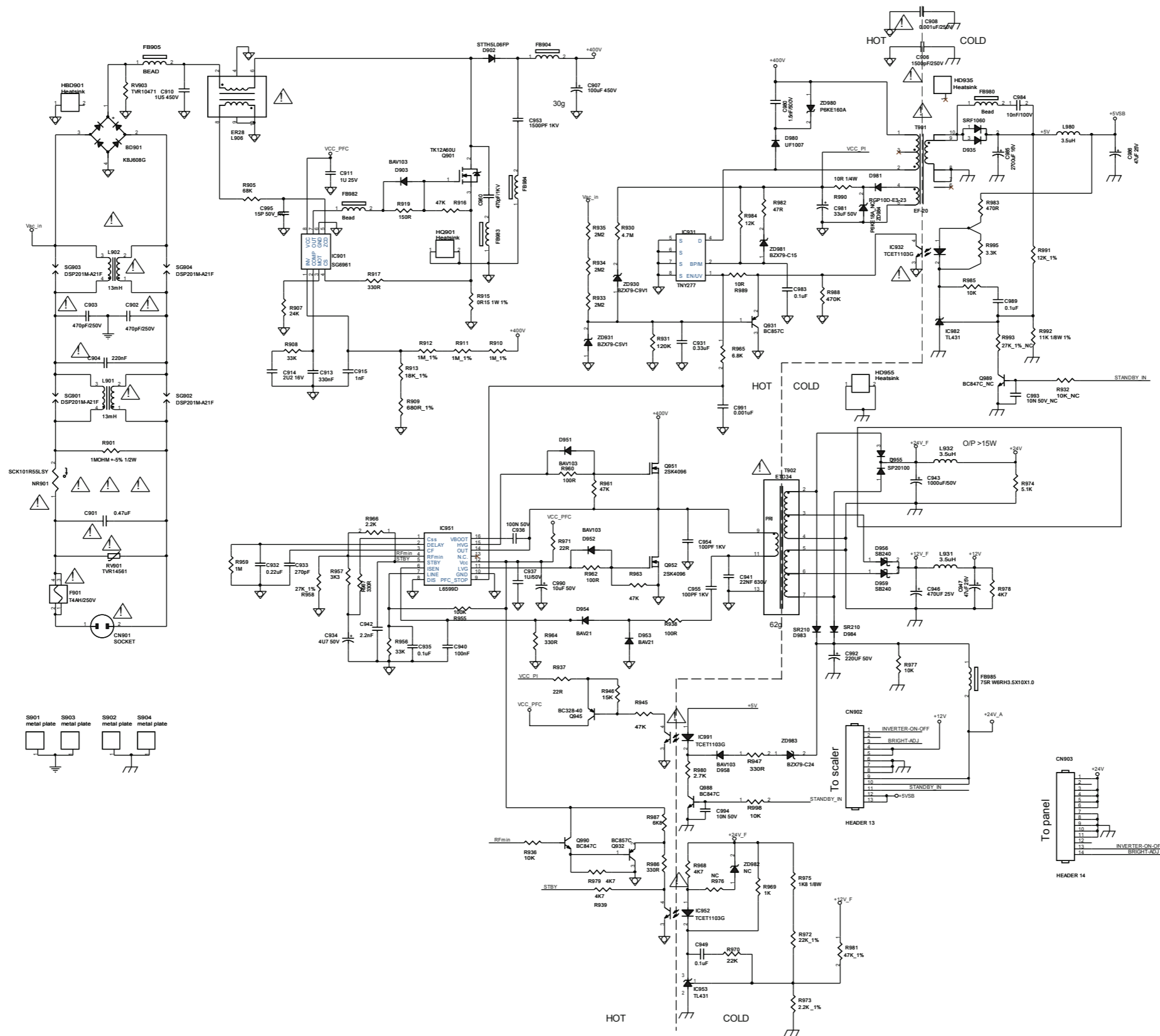


Power 32" Smart Choice

A01

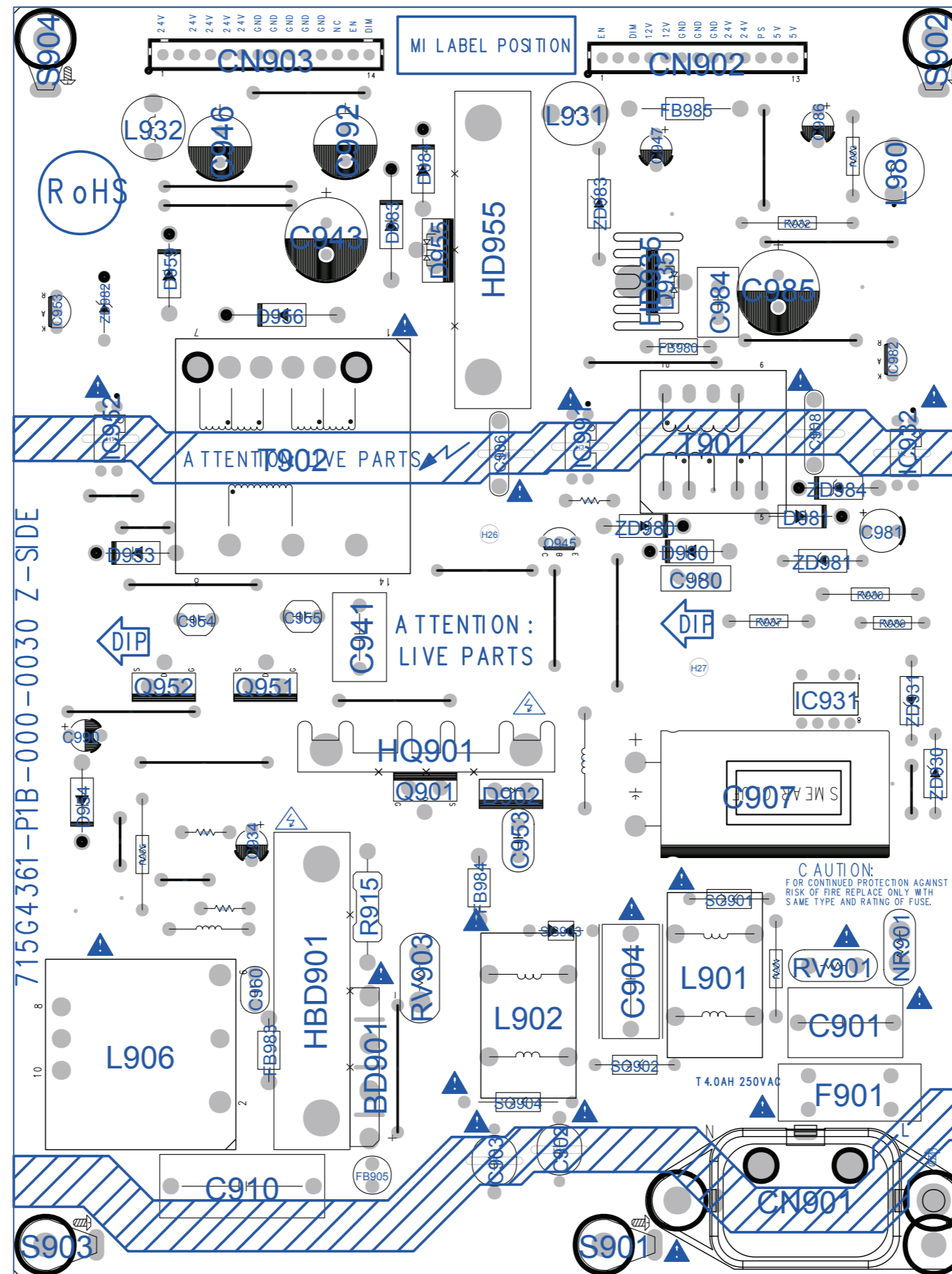
Power board

A01

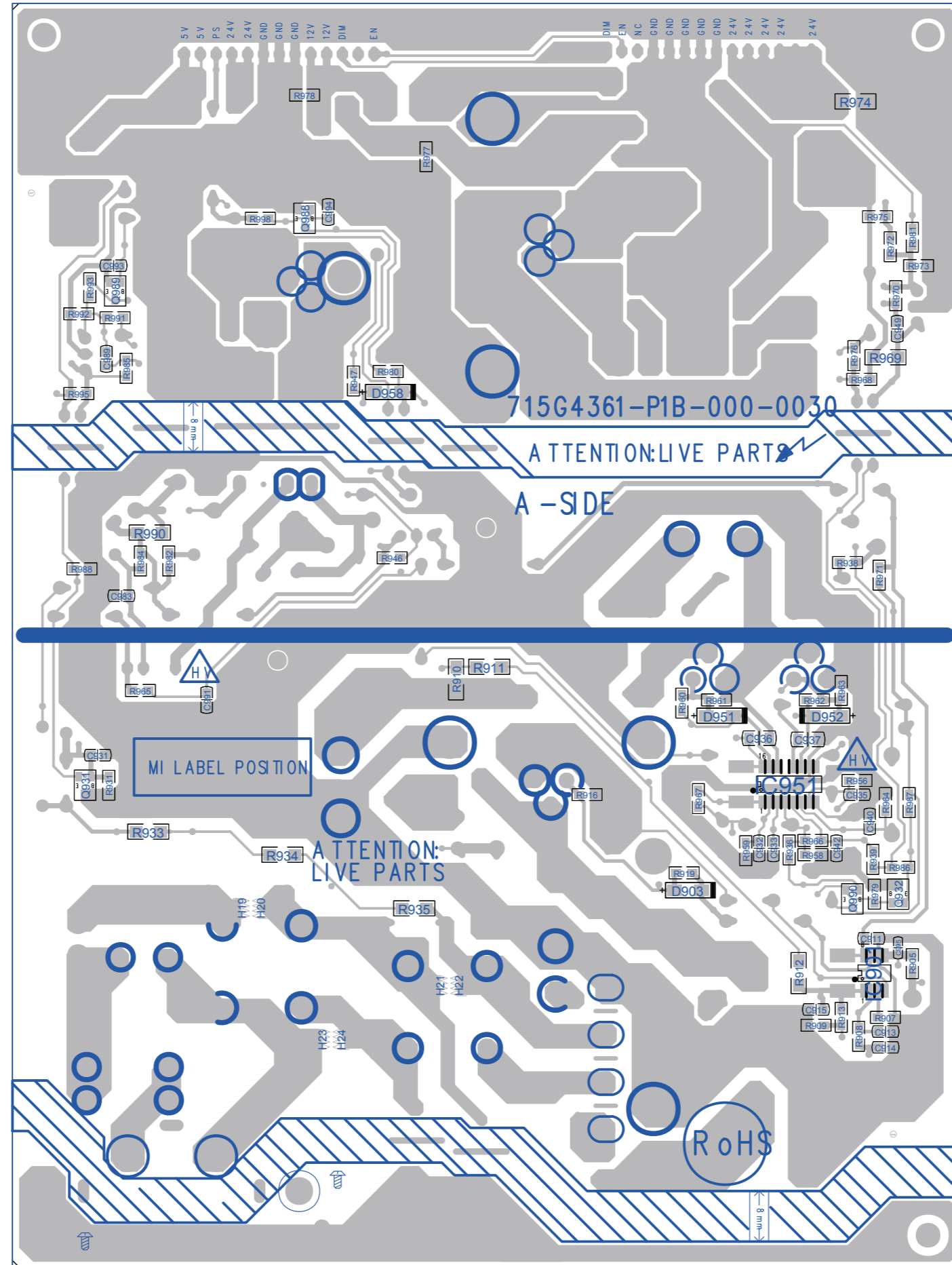


Power board	715G4361	1	2010-05-26

Layout Power Board 32" Smart Choice (Top Side)



Layout Power Board 32" Smart Choice (Bottom Side)



Power layout bottom	715G4361	1	2010-05-24