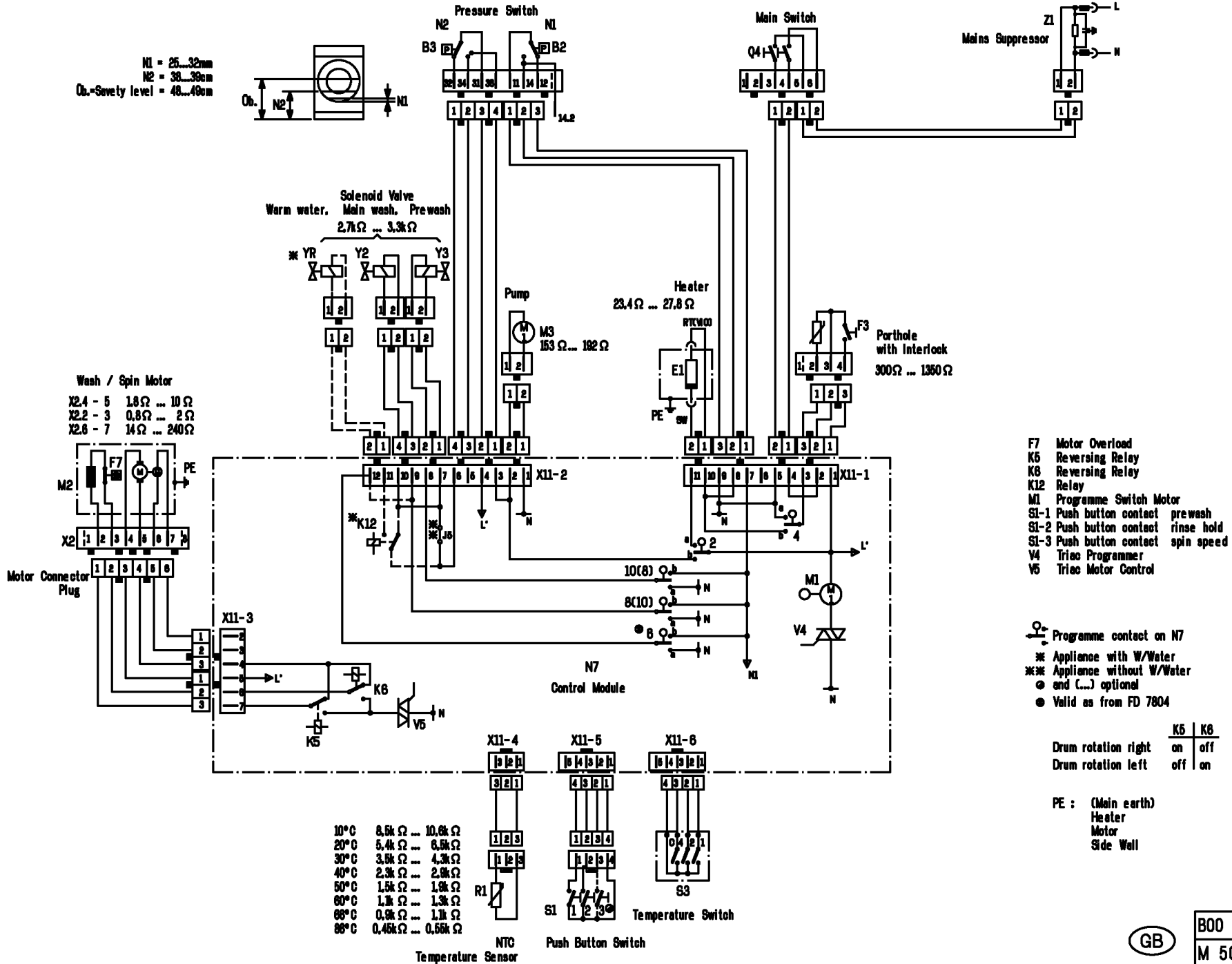
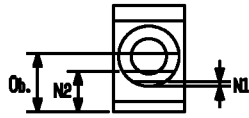


N1 = 25...32mm
 N2 = 30...36mm
 Ob.-Safety level = 48...49mm



- F7 Motor Overload
- K6 Reversing Relay
- K6 Reversing Relay
- K12 Relay
- M1 Programme Switch Motor
- SI-1 Push button contact prewash
- SI-2 Push button contact rinse hold
- SI-3 Push button contact spin speed
- V4 Triac Programmer
- V5 Triac Motor Control

- ⊕ Programme contact on N7
- * Appliance with W/Water
- ** Appliance without W/Water
- ⊙ and (...) optional
- Valid as from FD 7804

	K5	K6
Drum rotation right	on	off
Drum rotation left	off	on

PE : (Main earth)
 Heater
 Motor
 Side Wall



B00 5018 AAO	Issue:C 04.99
M 502 .	SO-20/0701