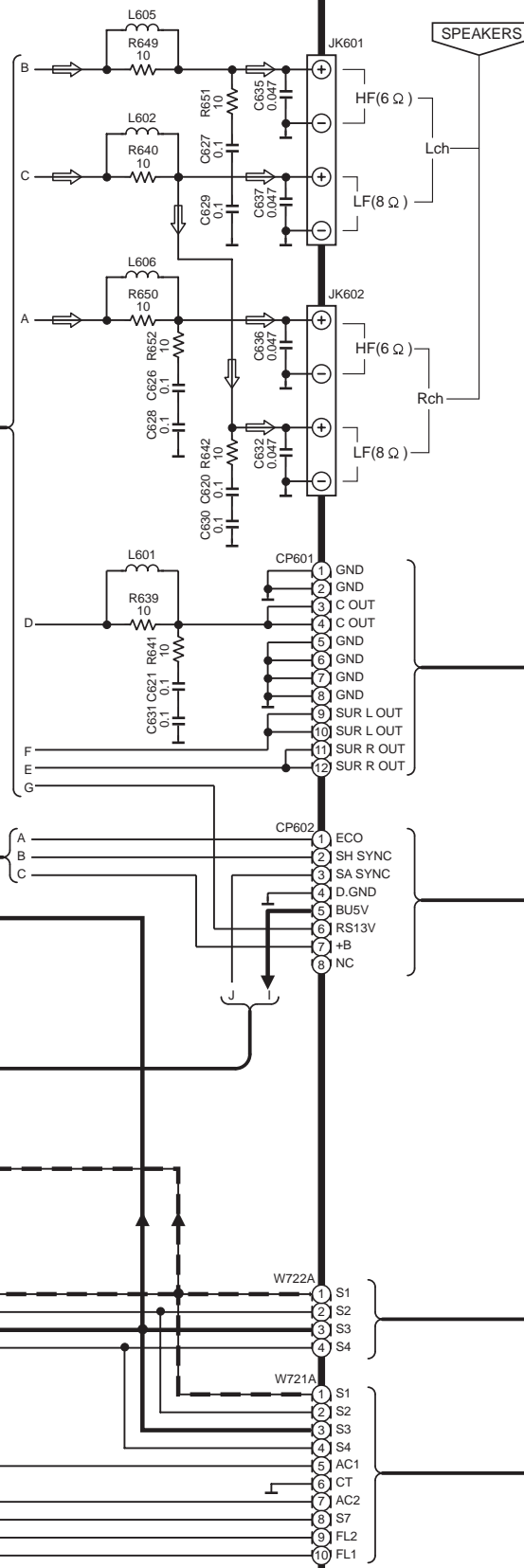
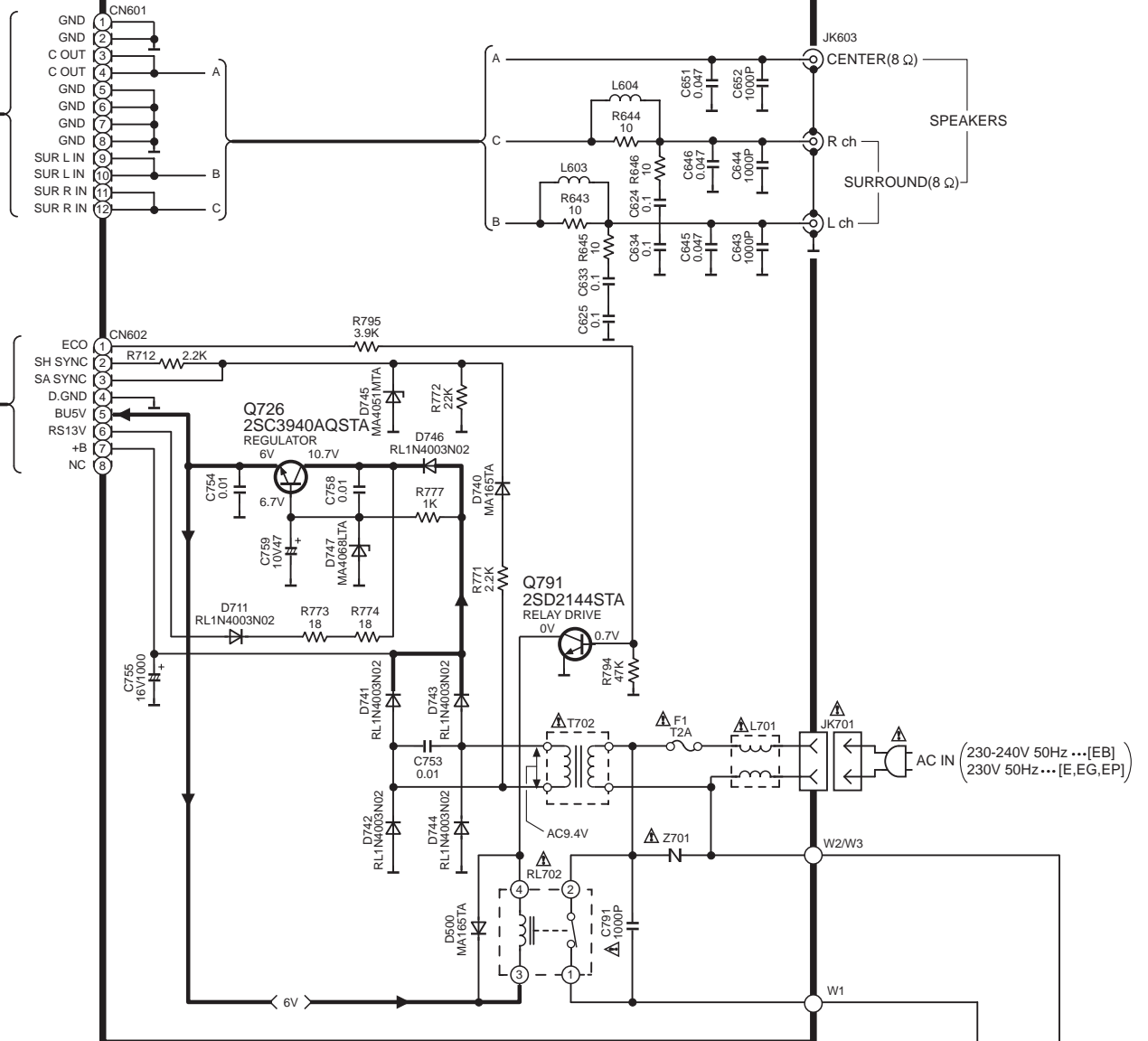


B MAIN CIRCUIT

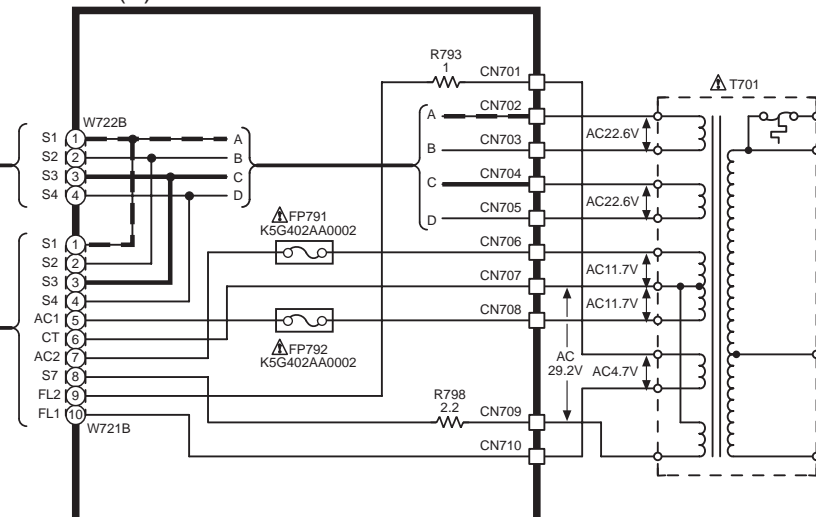
➔ : POSITIVE VOLTAGE LINE
➔ : NEGATIVE VOLTAGE LINE ➔ : AUDIO SIGNAL LINE



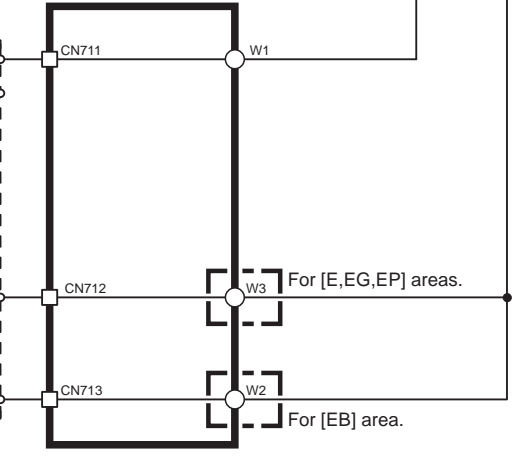
D AC IN CIRCUIT



E POWER TRANSFORMER (A) CIRCUIT



F POWER TRANSFORMER (B) CIRCUIT



SA-EH790(E,EB,EG,EP) MAIN, AC IN, POWER TRANSFORMER(A)&(B) CIRCUIT DIAGRAM