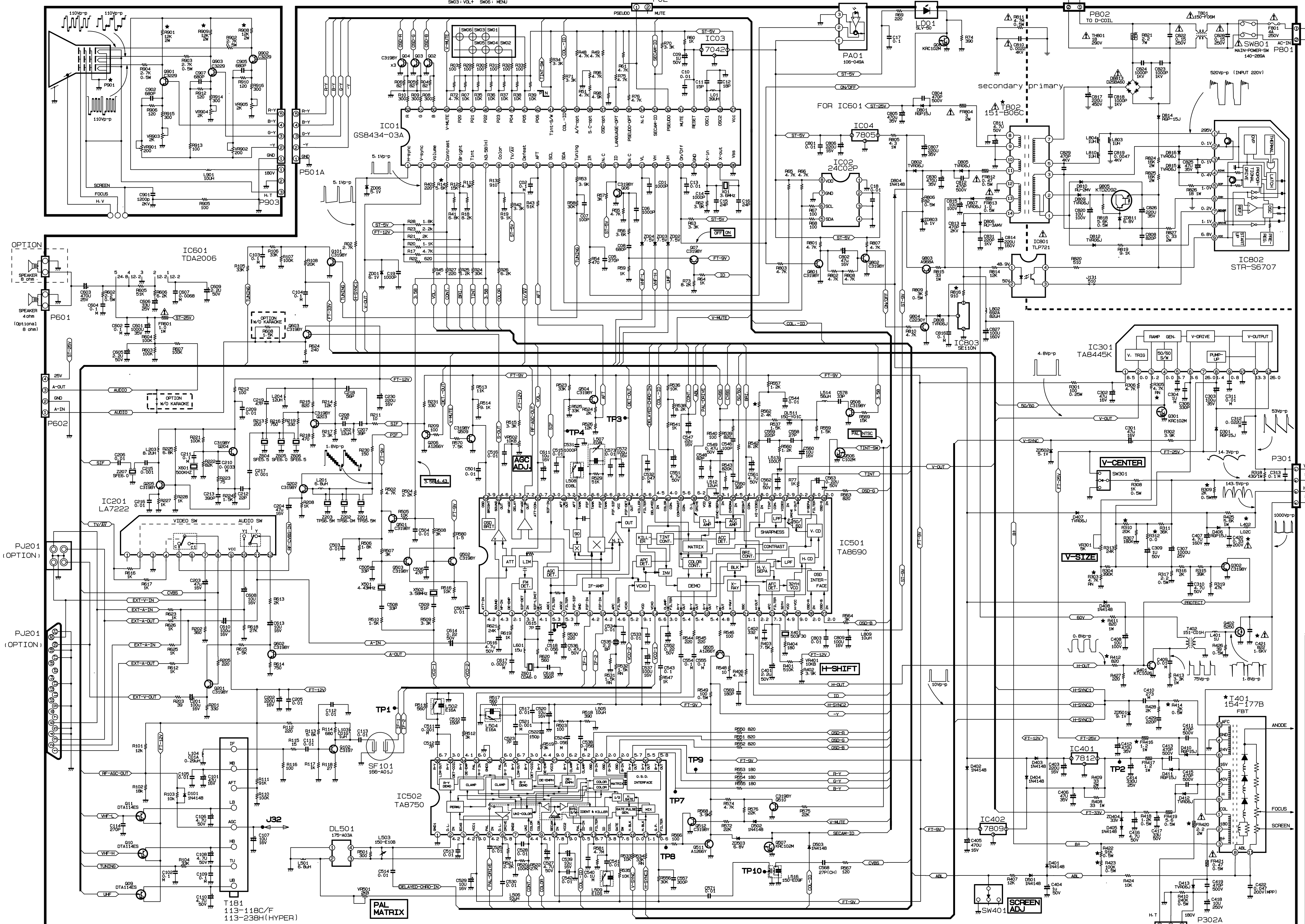


# SCHEMATIC DIAGRAM OF MC-41B

**LOCAL KEY FUNCTION**  
 SM01: PR+ SM04: VOL-  
 SM02: PR- SM05: OK  
 SM03: VOL+ SM06: MENU



### NOTICE

Since this is a basic schematic diagram the value of components and some partial connection are subject to change for improvement without notice.

The components marked conform VDE or IEC guidelines and essential for safe operation of the TV receiver. While those marked are required for correct operation.

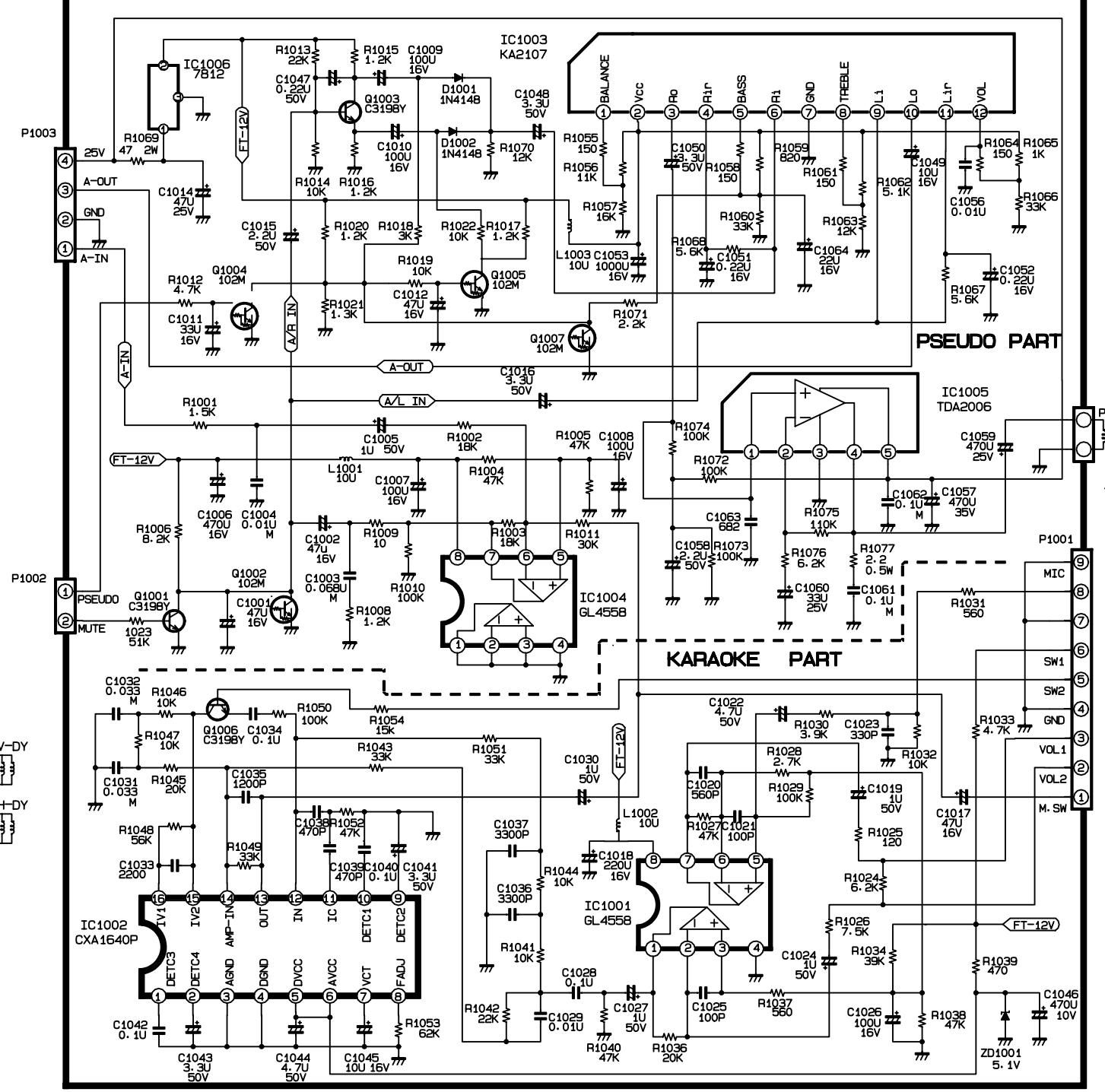
### VALUE OF RESISTOR, CAPACITOR AND INDUCTOR

1. Resistance is shown in ohm-K=1,000 M=1,000,000.
  2. Unless otherwise noted in schematic, all capacitor values less than 1 are expressed in pF and the values more than 1 in  $\mu F$ .
  3. Unless otherwise noted in schematic, all inductor values less than 1 are expressed in  $\mu H$  and the values more than 1 in H.
- Ref: 'M' in capacitor value means Mylar capacitor. Use specified parts only when replacing.

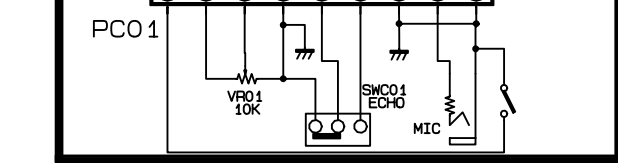
### OBSERVATION OF VOLTAGE AND WAVEFORMS

1. Voltage read with VTVM from point to ground line voltage 100-270 volts, color bar signal.
2. The schematic shown is representative only.
3. All waveforms are taken using a wide band oscilloscope and a low capacity probe.
4. Check FINE TUNING, ASC, BRIGHTNESS, CONTRAST and COLOR controls for best picture. Make sure that BRIGHTNESS and COLOR controls are in midposition and CONTRAST controls is almost in maximum position.
5. Waveforms are taken using a standard color bar signal.

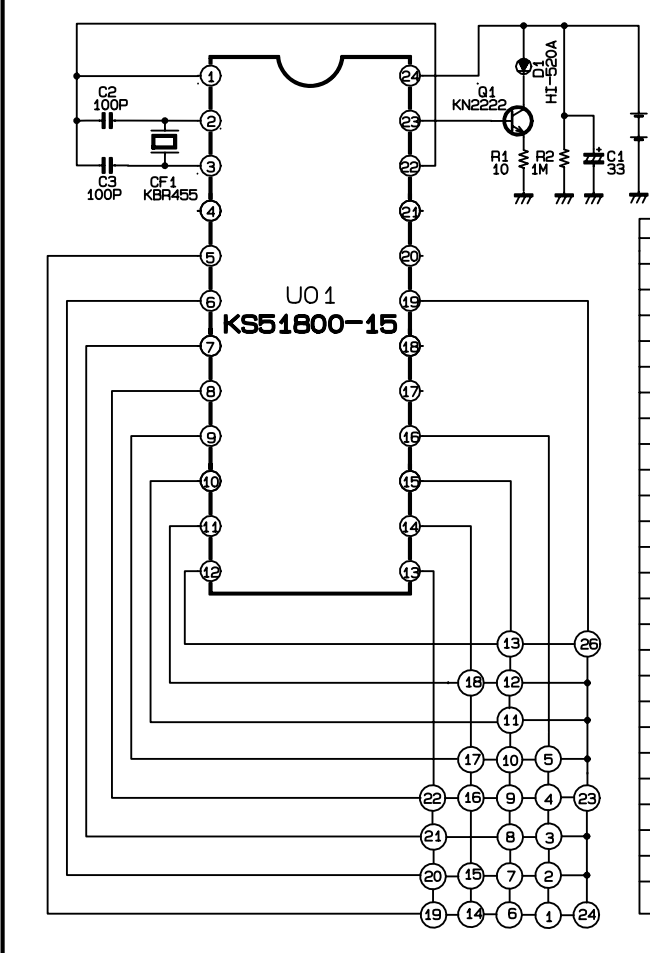
### PSEUDO & KARAOKE (ONLY SOUND MAX MODEL) OPTION



### KARAOKE CONTROL (OPTION)



### SCHEMATIC DIAGRAM OF REMOTE CONTROL



**TABLE OF INCH CONVERSION (\*)**

CIRCUIT NO	INCH				REMARK
	14"	16"	20"	21"	
PCB	111-472B	111-472A	111-472A	111-472A	MAIN PCB
T401	154-064P	154-064P	154-177B	154-194D	FBT
FR416	1.2	1.2	4.3	4.3	FUS1, RES. 1W
FR420	3	1.8	2.2	1.8	FUS1, RES. 2W
FR412	TIN WIRE	TIN WIRE	TIN WIRE	TIN WIRE	RD. RES. 0.5W
R423	100K	91K	91K	91K	RD. RES. 0.5W
R423	100K	75K	82K	75K	RD. RES. 0.5W
R416	680	910	910	3K	RD. RES. 0.5W
R414	1.2K	1.2K	2K	2K	RD. RES. 0.5W
R14	4.7K	4.7K	5.8K	5.1K	RD. RES. 1/5W
R502	1.2K	1.2K	2.2K	2.2K	RD. RES. 1/5W
R303	4.7K	2.7K	4.7K	2.7K	FN. RES. 1/5W
R310	20K	20K	20K	27K	RD. RES. 1/5W
R305	4.7K	4.7K	4.7K	4.7K	RD. RES. 1/5W
R901	10K	10K	12K	12K	RS. RES. 2W
R908	10K	10K	12K	12K	RS. RES. 2W
R909	10K	10K	12K	12K	RS. RES. 2W
R411	1K	1K	20K	20K	RD. RES. 1/5W
C421	822	732	822	822	MPF. CAP. 1.8KV
C420	0.47	0.72	0.33	0.47	MPF. CAP. 200V
L402	150-L01M	150-L01R	150-L01C	150-L01M	LINEARITY COIL
P901	381-226D	381-100C	381-226D	381-226D	OPT. SOCKET
T802	151-478A	151-805P	151-805P	151-805P	SOUND MAX
					151-478A
					151-806C
					151-478A

P/N : 484-899A  
 DATE : NOV . 16 . 1996