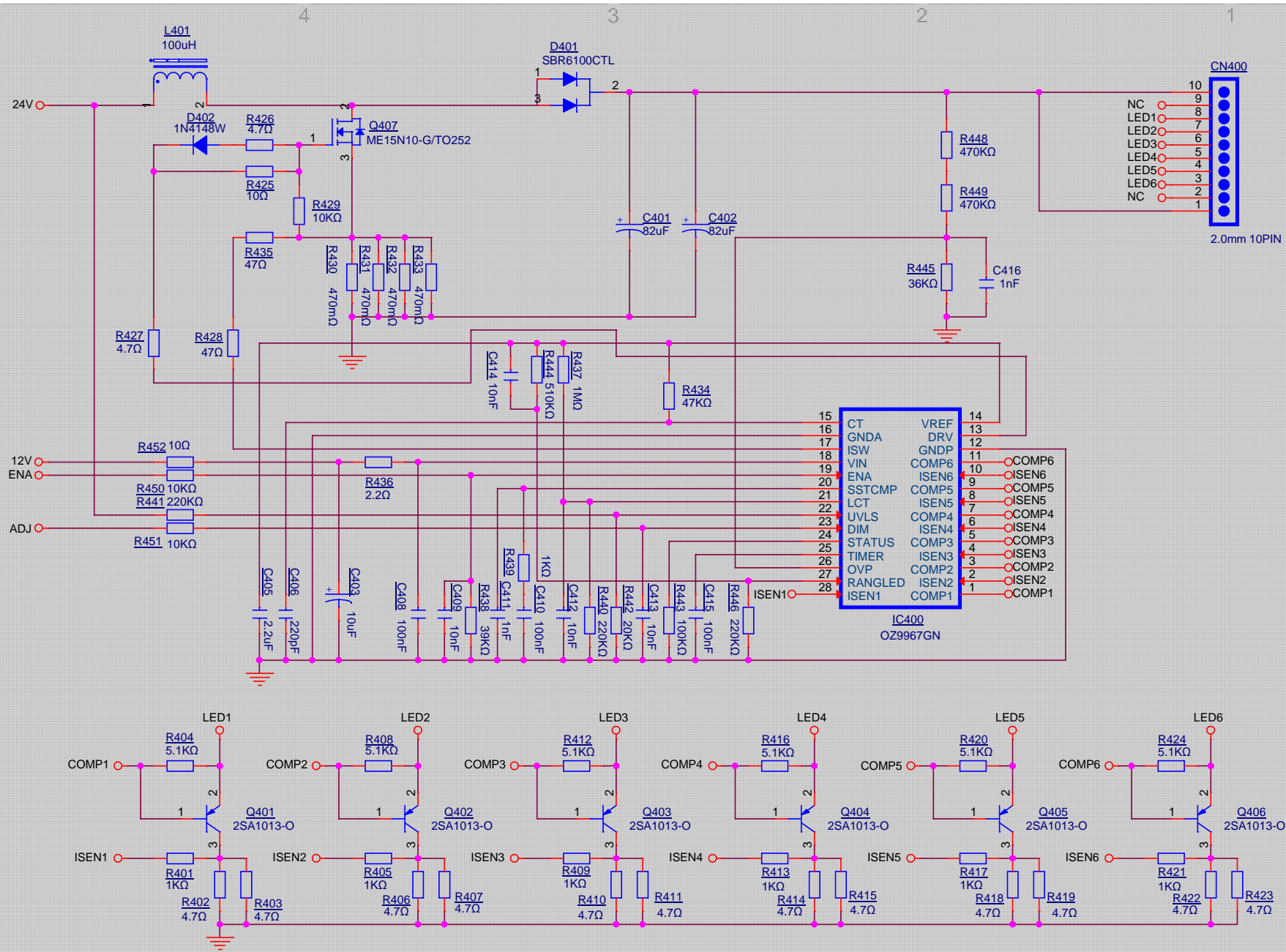


SPECIFICATION
INPUT: 90-264V AC
OUTPUT: +24V/2A
+12V/2A

Title			
3.5Frame			
Size	Document Number	Rev	Rev Code
Customer-Doc			
Date:	Thursday, December 18, 2013	Sheet	1 of 3



Title		
<Title>		
Size	Document Number	Rev
A4	<Doc>	<RevCode>
Date:	Saturday, December 07, 2013	Sheet 1 of 1