

SAMSUNG

CHASSIS: US60A
MOD- CX5330AN

HOT

COLD

15V

/

5V

17V

125V

33V

START

B+

STR - S6309

Q801 STR-S6307
DZ801 MTZ9V1
POWER

PC817
OPTO-
COUPER

IC802
MC7805
REGULATOR

Q807
SE120N
ERROR-AMP

micro ELECTRONIC
Dragoljub Janković
micro@ptt.yu
031/512.402 063/83.11.606

S-BY 2.8V
NORMAL 16V

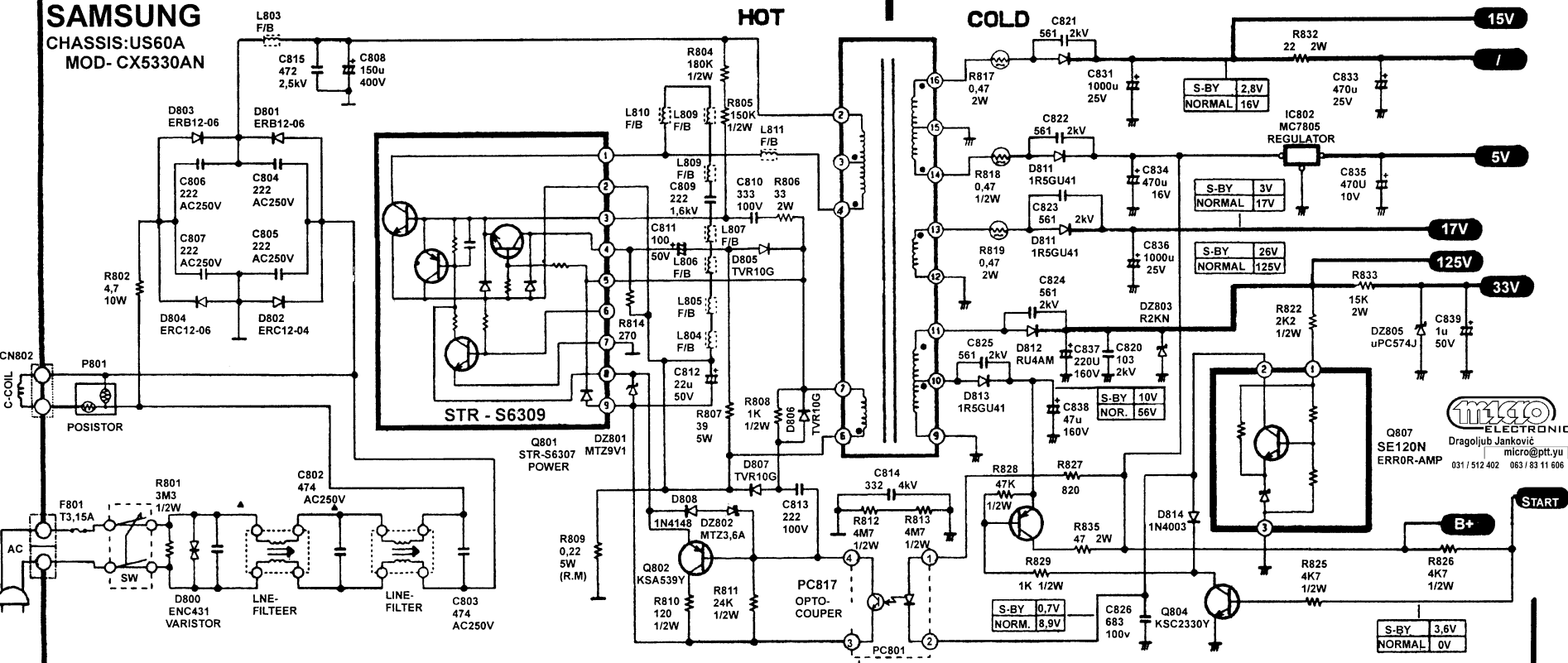
S-BY 3V
NORMAL 17V

S-BY 26V
NORMAL 125V

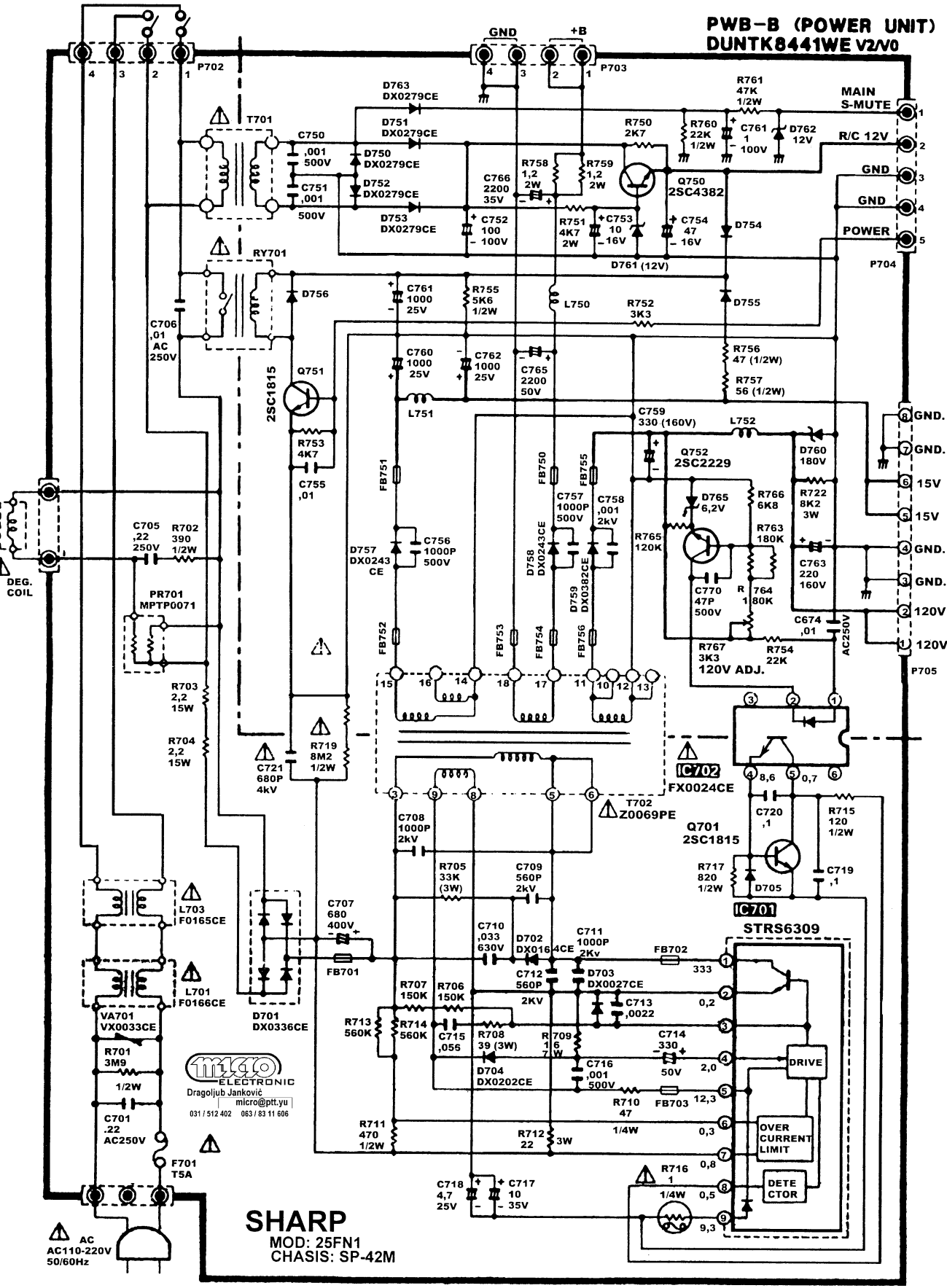
S-BY 10V
NOR. 56V

S-BY 0.7V
NORM. 8.9V

S-BY 3.6V
NORMAL 0V



**PWB-B (POWER UNIT)
DUNTK8441WE V2/V0**



micro ELECTRONIC
Dragoljub Jankovic
micro@ptt.yu
031/512 402 063/83 11 606

SHARP
MOD: 25FN1
CHASIS: SP-42M

AC
AC110-220V
50/60Hz

STRS6309

[C701]

[C702]

DEG. COIL

DRIVE

OVER CURRENT LIMIT

DETE CTR