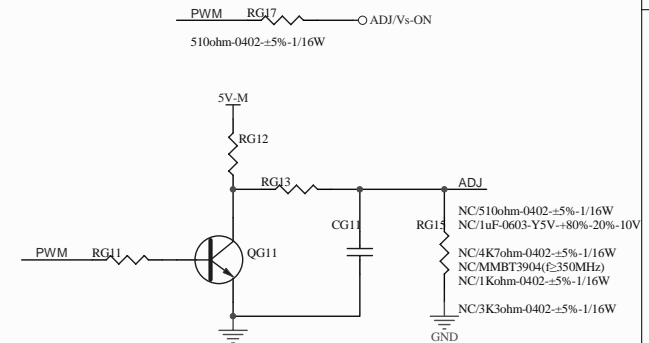
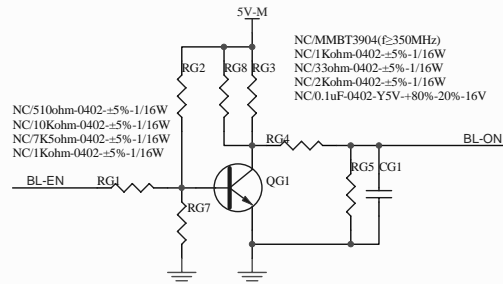
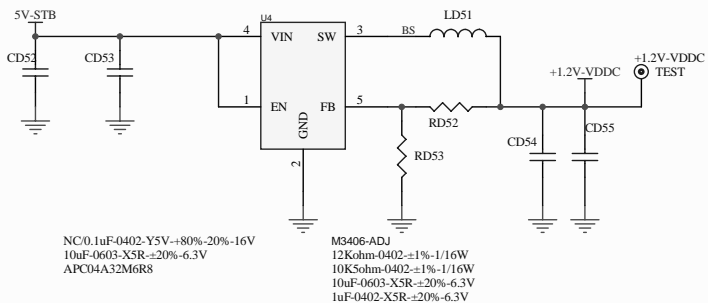
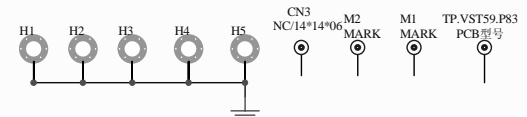
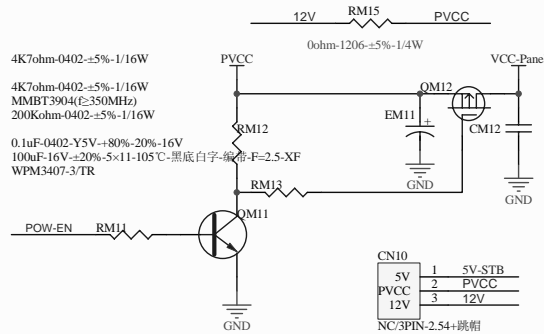
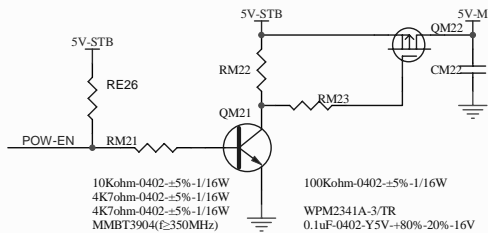
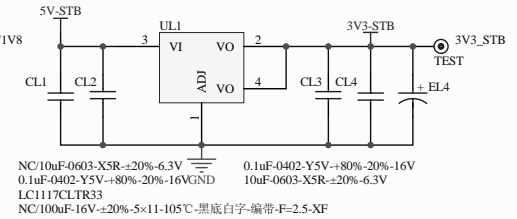
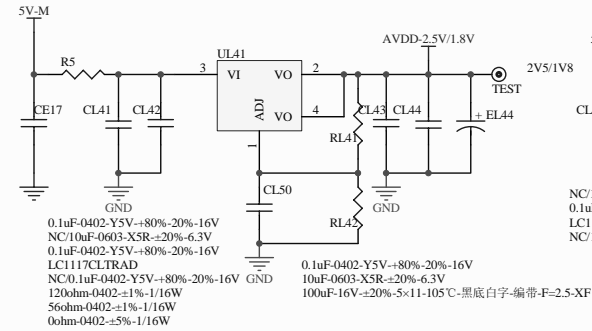
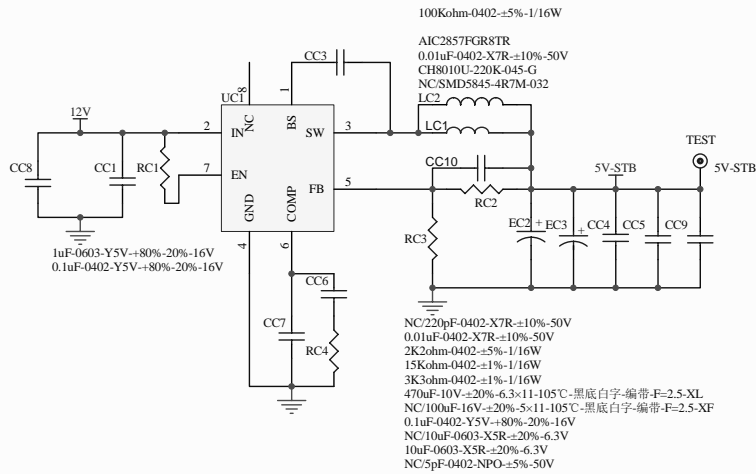
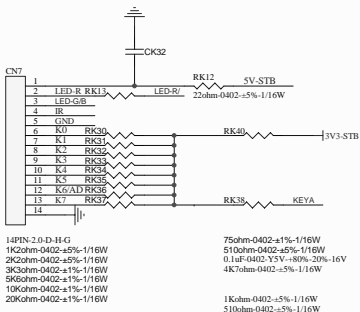


Title		Revision	
Size	Number		
A2			
Date:	2013/9/26	Sheet	of
File:	C:\Users\72V166mA\两路安规原理图	Sheet	of

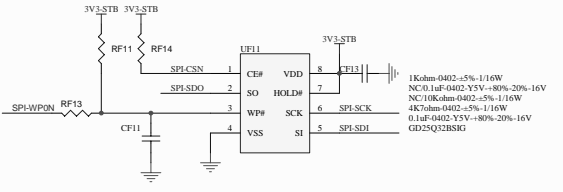




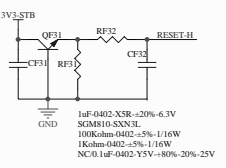
14PIN 2.0-D-11.4
1K20hm-0402±5%/1/16W
2K20hm-0402±5%/1/16W
3K50hm-0402±1%/1/16W
5K60hm-0402±1%/1/16W
10K0hm-0402±1%/1/16W
20K0hm-0402±1%/1/16W

750hm-0402±1%/1/16W
510hm-0402±5%/1/16W
0.1uF-0402-Y5V-80%-20%-16V
4K70hm-0402±5%/1/16W

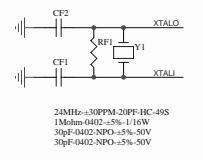
1K0hm-0402±5%/1/16W
510hm-0402±5%/1/16W



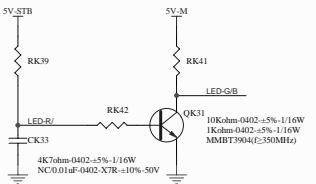
1K0hm-0402±5%/1/16W
NC/10K0hm-0402±5%/1/16W
4K70hm-0402±5%/1/16W
0.1uF-0402-Y5V-80%-20%-16V
GD25Q32BSIG



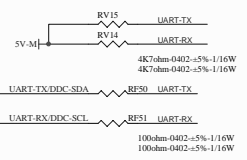
1uF-0402-X5R-20%-6.3V
SCMR03-SSXSL
100K0hm-0402±5%/1/16W
1K0hm-0402±5%/1/16W
NC/0.1uF-0402-Y5V-80%-20%-25V



24MHz±30PPM-20PF-1HC-495
1Mohm-0402±5%/1/16W
30pF-0402-NPO±5%-50V
30pF-0402-NPO±5%-50V

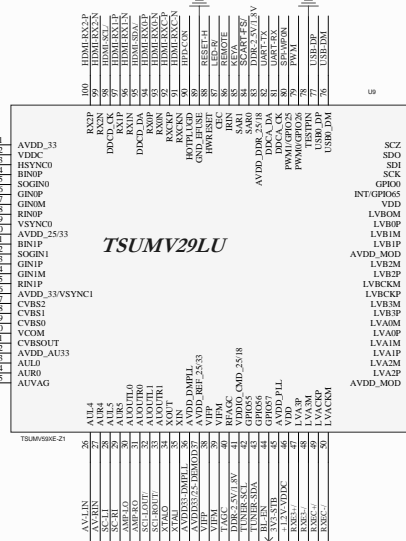


4K70hm-0402±5%/1/16W
NC/0.01uF-0402-X7R±10%-50V



4K70hm-0402±5%/1/16W
4K70hm-0402±5%/1/16W

1000hm-0402±5%/1/16W
1000hm-0402±5%/1/16W

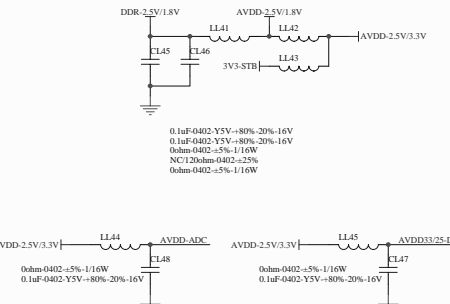


3V3_STB 1
+1.2V_VDDC 2
VGA_HS 3
VGA_BIN 4
VGA_SCK 5
VGA_GIN 6
GINM 7
VGA_RIN 8
VSINFB 9
AVDD_ADC 10
PbSC-B-IN 11
YSC-G-SOG 12
YSC-G-B 13
GINM 14
PbSC-B-IN 15
3V3_STB-VS1 16
SCART-VI 17
CVBS1 18
AV-IN 19
VCOG00 20
SCART-VOUT 21
AU33 22
PC-LIN 23
PC-RIN 24
ALVAG 25

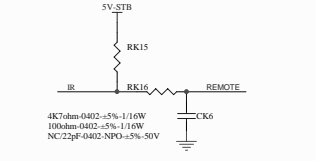
AVDD_33 1
VDDC 2
HSYNC0 3
BNDOP 4
SOGIN0 5
GINOP 6
RBNOP 7
AVDD_2533 8
BNDOP 9
VSYNCO 10
AVDD_2533 11
BNDOP 12
SOGIN1 13
GINM 14
LVB2P 15
RBNOP 16
AVDD_33VSYNCO 17
CVBS2 18
CVBS1 19
CVBS0 20
VCOM 21
VBIAS 22
AVDD_AU33 23
ALB0 24
ALVAG 25

HDMI-R-EXP 100
RKN 101
HDMI-R-EXP 102
RKN 103
HDMI-R-EXP 104
RKN 105
HDMI-R-EXP 106
RKN 107
HDMI-R-EXP 108
RKN 109
HDMI-R-EXP 110
RKN 111
HDMI-R-EXP 112
RKN 113
HDMI-R-EXP 114
RKN 115
HDMI-R-EXP 116
RKN 117
HDMI-R-EXP 118
RKN 119
HDMI-R-EXP 120
RKN 121
HDMI-R-EXP 122
RKN 123
HDMI-R-EXP 124
RKN 125
HDMI-R-EXP 126
RKN 127
HDMI-R-EXP 128
RKN 129
HDMI-R-EXP 130
RKN 131
HDMI-R-EXP 132
RKN 133
HDMI-R-EXP 134
RKN 135
HDMI-R-EXP 136
RKN 137
HDMI-R-EXP 138
RKN 139
HDMI-R-EXP 140
RKN 141
HDMI-R-EXP 142
RKN 143
HDMI-R-EXP 144
RKN 145
HDMI-R-EXP 146
RKN 147
HDMI-R-EXP 148
RKN 149
HDMI-R-EXP 150
RKN 151
HDMI-R-EXP 152
RKN 153
HDMI-R-EXP 154
RKN 155
HDMI-R-EXP 156
RKN 157
HDMI-R-EXP 158
RKN 159
HDMI-R-EXP 160
RKN 161
HDMI-R-EXP 162
RKN 163
HDMI-R-EXP 164
RKN 165
HDMI-R-EXP 166
RKN 167
HDMI-R-EXP 168
RKN 169
HDMI-R-EXP 170
RKN 171
HDMI-R-EXP 172
RKN 173
HDMI-R-EXP 174
RKN 175
HDMI-R-EXP 176
RKN 177
HDMI-R-EXP 178
RKN 179
HDMI-R-EXP 180
RKN 181
HDMI-R-EXP 182
RKN 183
HDMI-R-EXP 184
RKN 185
HDMI-R-EXP 186
RKN 187
HDMI-R-EXP 188
RKN 189
HDMI-R-EXP 190
RKN 191
HDMI-R-EXP 192
RKN 193
HDMI-R-EXP 194
RKN 195
HDMI-R-EXP 196
RKN 197
HDMI-R-EXP 198
RKN 199
HDMI-R-EXP 200
RKN 201

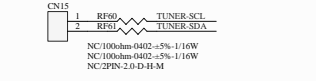
SCZ 75
SDO 76
SDI 77
SCK 78
INT_GPK06 79
VDD 80
LVB0M 81
LVB0P 82
LVB1M 83
LVB1P 84
LVB2M 85
LVB2P 86
LVBCKM 87
LVBCKP 88
LVB3M 89
LVB3P 90
LVA0M 91
LVA0P 92
LVA1M 93
LVA1P 94
LVA2M 95
LVA2P 96
AVDD_MOD 97



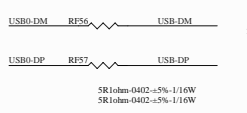
0.1uF-0402-Y5V-80%-20%-16V
0.1uF-0402-Y5V-80%-20%-16V
0hm-0402±5%/1/16W
0hm-0402±5%/1/16W
0hm-0402±5%/1/16W



4K70hm-0402±5%/1/16W
1000hm-0402±5%/1/16W
NC/22pF-0402-NPO±5%-50V

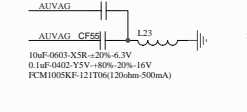


NC/1000hm-0402±5%/1/16W
NC/1000hm-0402±5%/1/16W
NC/2PIN 2.0-D-H-M



200K0hm-0402±5%/1/16W
100pF-0402-NPO±5%-50V

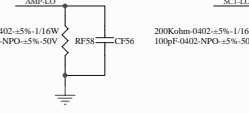
5R10hm-0402±5%/1/16W
5R10hm-0402±5%/1/16W



0.047uF-0402-X7R±10%-16V
680hm-0402±5%/1/16W
0.047uF-0402-X7R±10%-16V
680hm-0402±5%/1/16W
0.047uF-0402-X7R±10%-16V
680hm-0402±5%/1/16W

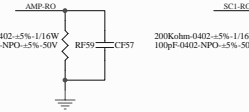
200K0hm-0402±5%/1/16W
100pF-0402-NPO±5%-50V

200K0hm-0402±5%/1/16W
100pF-0402-NPO±5%-50V



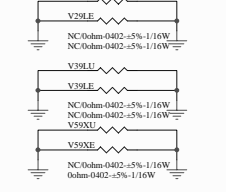
200K0hm-0402±5%/1/16W
100pF-0402-NPO±5%-50V

200K0hm-0402±5%/1/16W
100pF-0402-NPO±5%-50V



200K0hm-0402±5%/1/16W
100pF-0402-NPO±5%-50V

200K0hm-0402±5%/1/16W
100pF-0402-NPO±5%-50V

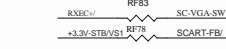


NC/0hm-0402±5%/1/16W
NC/0hm-0402±5%/1/16W

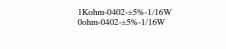
NC/0hm-0402±5%/1/16W
NC/0hm-0402±5%/1/16W

NC/0hm-0402±5%/1/16W
NC/0hm-0402±5%/1/16W

NC/0hm-0402±5%/1/16W
NC/0hm-0402±5%/1/16W



3+3V_STB-VS1



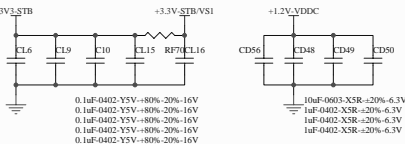
0hm-0402±5%/1/16W



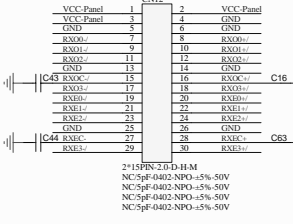
0hm-0402±5%/1/16W



0hm-0402±5%/1/16W

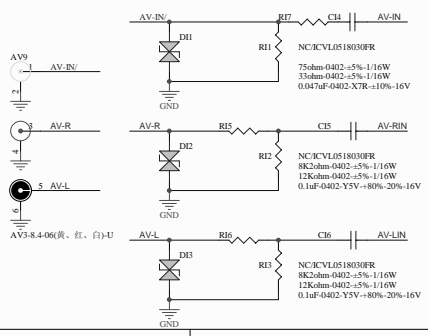
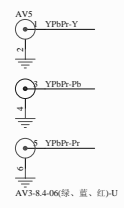
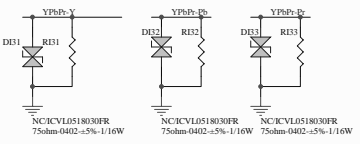
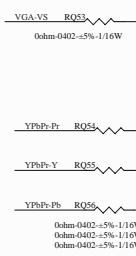
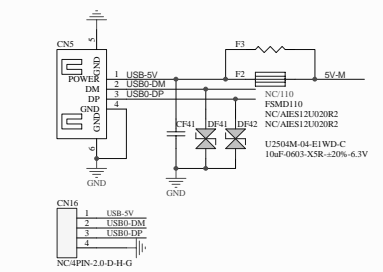
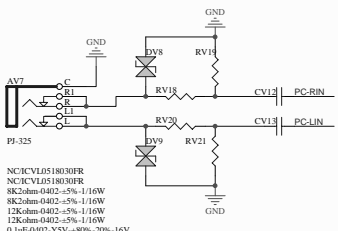
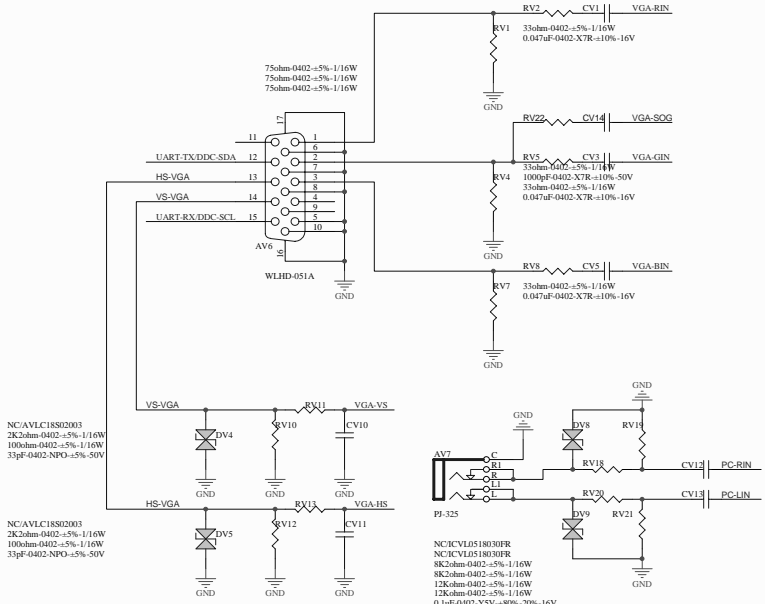
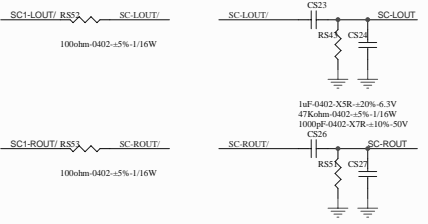
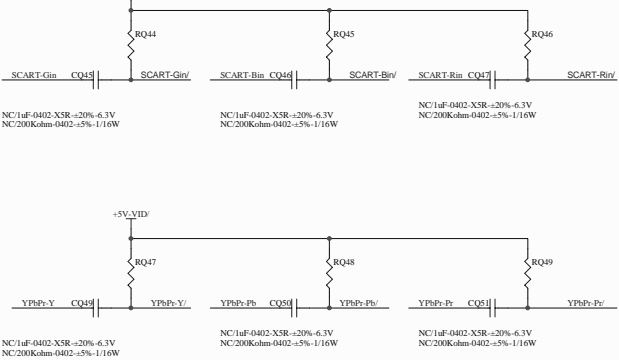
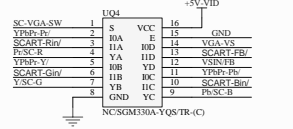
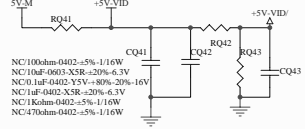
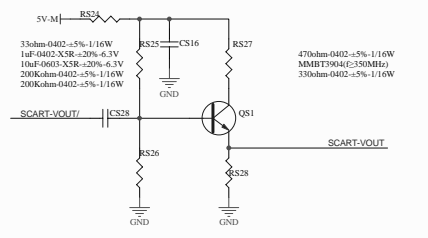
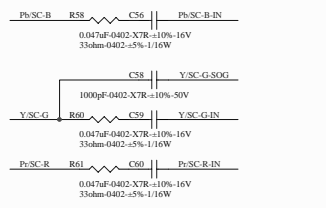
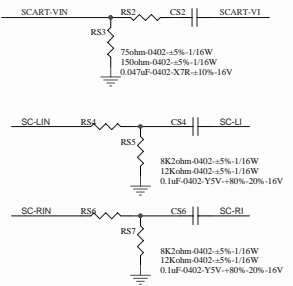
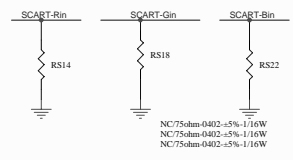
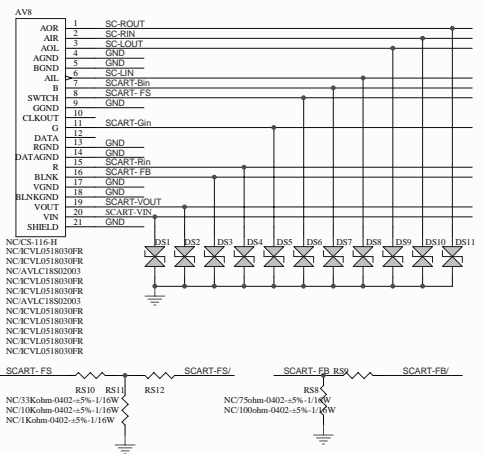
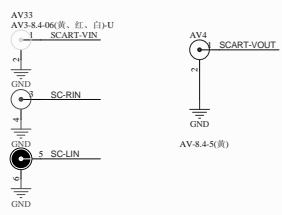
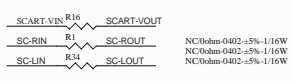


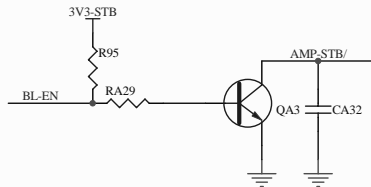
0.1uF-0402-Y5V-80%-20%-16V
0.1uF-0402-Y5V-80%-20%-16V
0.1uF-0402-Y5V-80%-20%-16V
0.1uF-0402-Y5V-80%-20%-16V
0.1uF-0402-Y5V-80%-20%-16V
0.1uF-0402-Y5V-80%-20%-16V
0.1uF-0402-Y5V-80%-20%-16V
0.1uF-0402-Y5V-80%-20%-16V
0.1uF-0402-Y5V-80%-20%-16V
0.1uF-0402-Y5V-80%-20%-16V



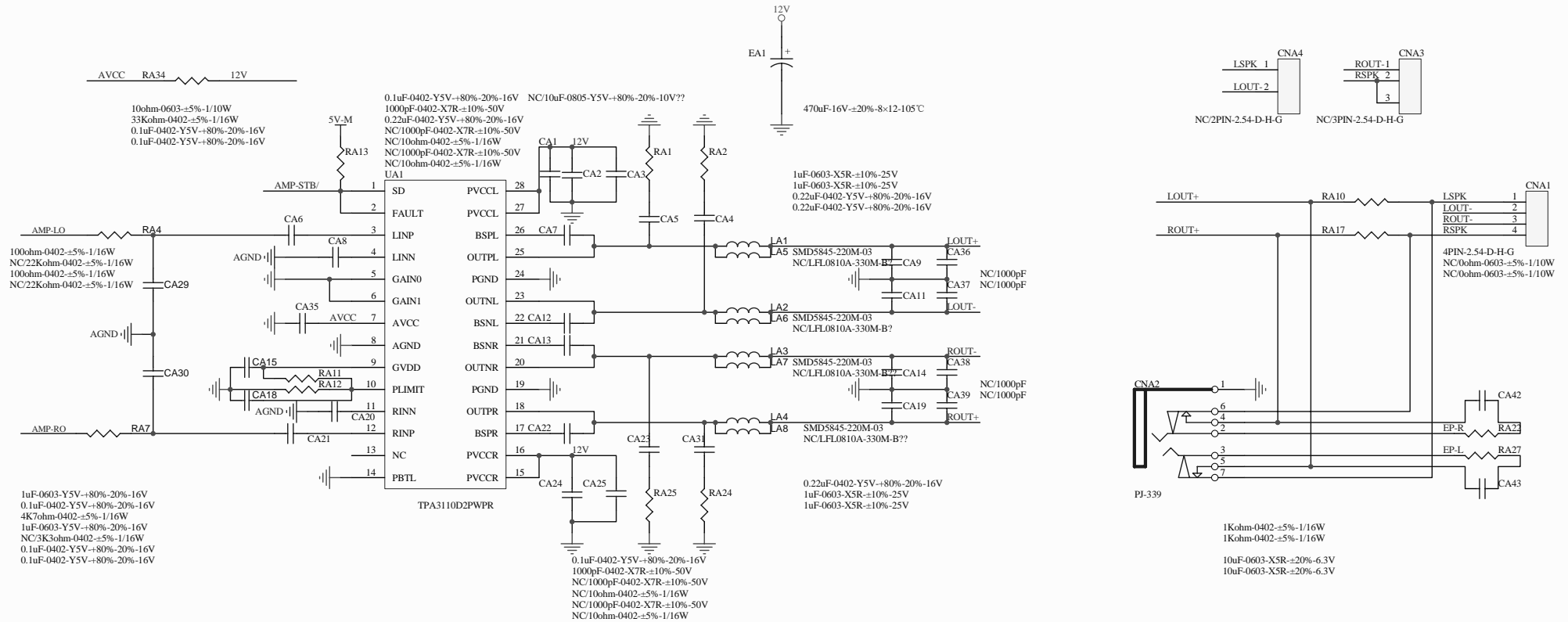
VCC_Panel 1
GND 2
GND 3
RXD+ 4
RXD- 5
RXD+ 6
RXD- 7
RXD+ 8
RXD- 9
RXD+ 10
RXD+ 11
RXD- 12
RXD+ 13
RXD- 14
RXD+ 15
RXD- 16
RXD+ 17
RXD- 18
RXD+ 19
RXD- 20
RXD+ 21
RXD- 22
RXD+ 23
RXD- 24
RXD+ 25
RXD- 26
RXD+ 27
RXD- 28
RXD+ 29
RXD- 30

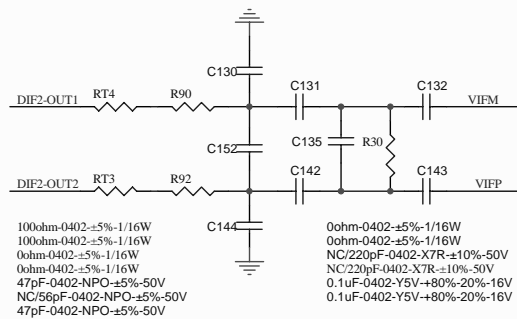
2415H 2.0-D-11.4M
NC/5pF-0402-NPO±5%-50V
NC/5pF-0402-NPO±5%-50V
NC/5pF-0402-NPO±5%-50V
NC/5pF-0402-NPO±5%-50V



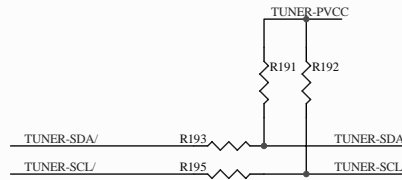


MMBT3904($f_T \geq 350\text{MHz}$)
 0.1uF-0402-Y5V-+80%-20%-16V
 4K7ohm-0402-±5%-1/16W
 1Kohm-0402-±5%-1/16W

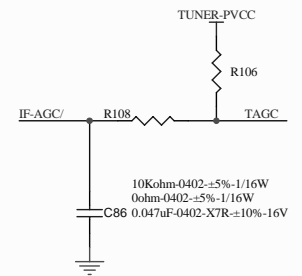
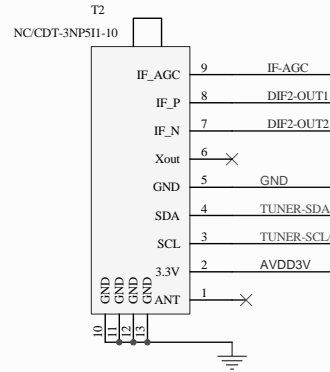




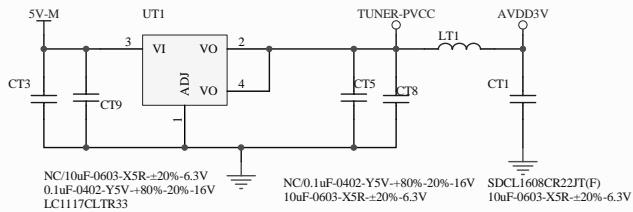
100ohm-0402±5%-1/16W
 100ohm-0402±5%-1/16W
 0ohm-0402±5%-1/16W
 0ohm-0402±5%-1/16W
 47pF-0402-NPO±5%-50V
 NC/56pF-0402-NPO±5%-50V
 47pF-0402-NPO±5%-50V
 0ohm-0402±5%-1/16W
 0ohm-0402±5%-1/16W
 0ohm-0402±5%-1/16W
 NC/220pF-0402-X7R±10%-50V
 NC/220pF-0402-X7R±10%-50V
 0.1uF-0402-Y5V+80%-20%-16V
 0.1uF-0402-Y5V+80%-20%-16V



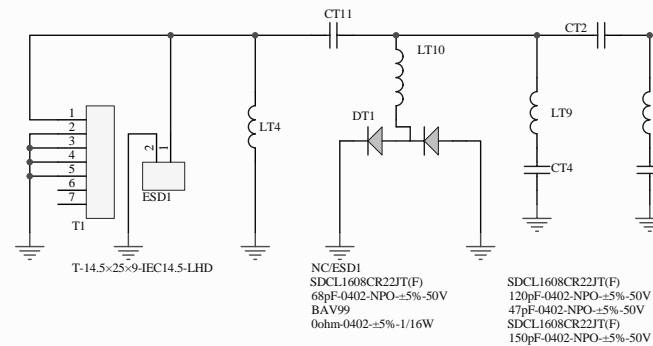
100ohm-0402±5%-1/16W
 100ohm-0402±5%-1/16W
 10Kohm-0402±5%-1/16W
 10Kohm-0402±5%-1/16W



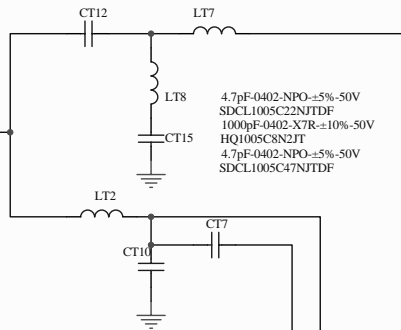
10Kohm-0402±5%-1/16W
 0ohm-0402±5%-1/16W
 C86 0.047uF-0402-X7R±10%-16V



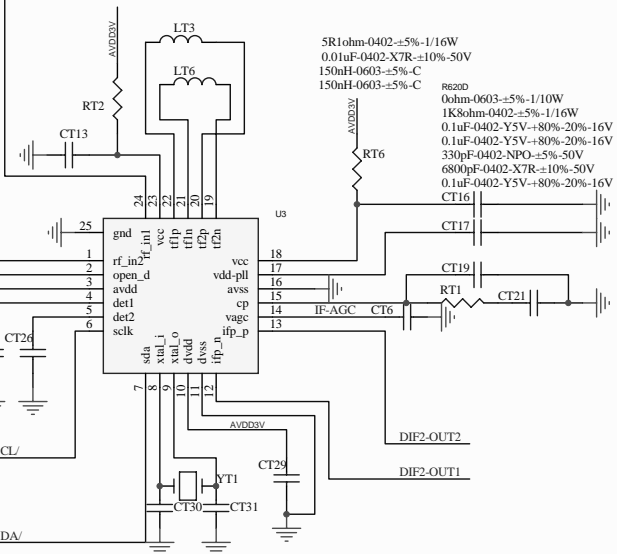
NC/10uF-0603-X5R±20%-6.3V
 0.1uF-0402-Y5V+80%-20%-16V
 LC1117CLR33
 NC/0.1uF-0402-Y5V+80%-20%-16V
 10uF-0603-X5R±20%-6.3V
 SDCL1608CR22JT(F)
 10uF-0603-X5R±20%-6.3V



SDCL1608CR22JT(F)
 120pF-0402-NPO±5%-50V
 BAV99
 0ohm-0402±5%-1/16W
 SDCL1608CR22JT(F)
 120pF-0402-NPO±5%-50V
 SDCL1608CR22JT(F)
 150pF-0402-NPO±5%-50V

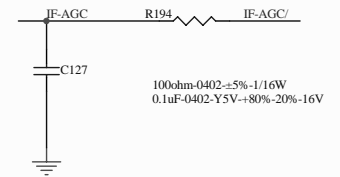


10pF-0402-NPO±5%-50V
 0ohm-0402±5%-1/16W
 0.01uF-0402-X7R±10%-50V
 1uF-0402-X5R±20%-6.3V
 0.033uF-0402-X7R±10%-16V



5R1ohm-0402±5%-1/16W
 0.01uF-0402-X7R±10%-50V
 150nH-0603±5%-C
 150nH-0603±5%-C
 8630D
 0ohm-0603±5%-1/10W
 1K8ohm-0402±5%-1/16W
 0.1uF-0402-Y5V+80%-20%-16V
 0.1uF-0402-Y5V+80%-20%-16V
 330pF-0402-NPO±5%-50V
 6800pF-0402-X7R±10%-50V
 0.1uF-0402-Y5V+80%-20%-16V

16MHz±20PPM-20PF-HC-49S
 33pF-0402-NPO±5%-50V
 33pF-0402-NPO±5%-50V
 0.1uF-0402-Y5V+80%-20%-16V



100ohm-0402±5%-1/16W
 0.1uF-0402-Y5V+80%-20%-16V