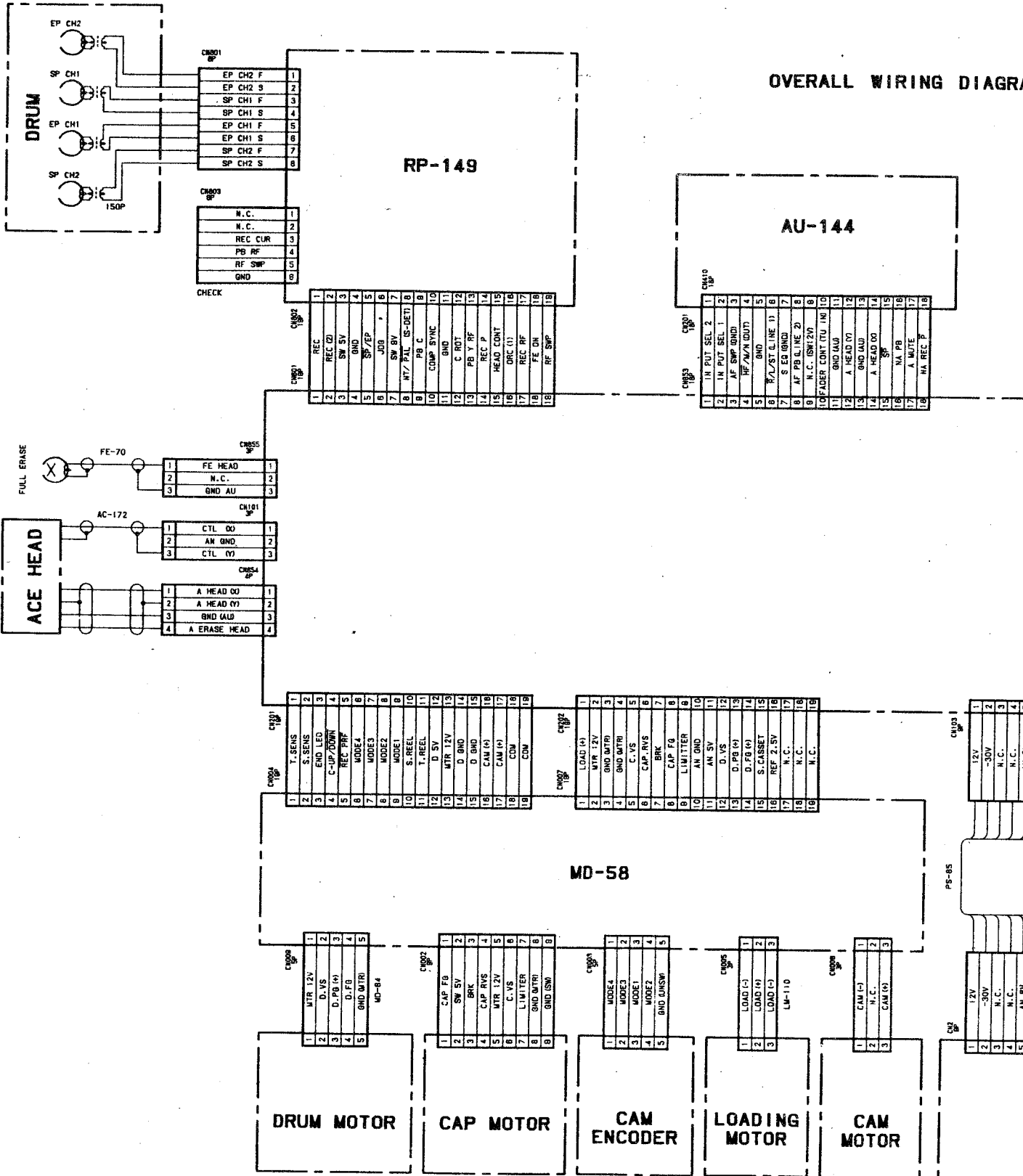
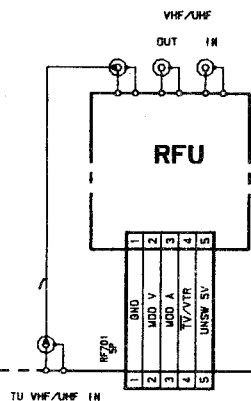
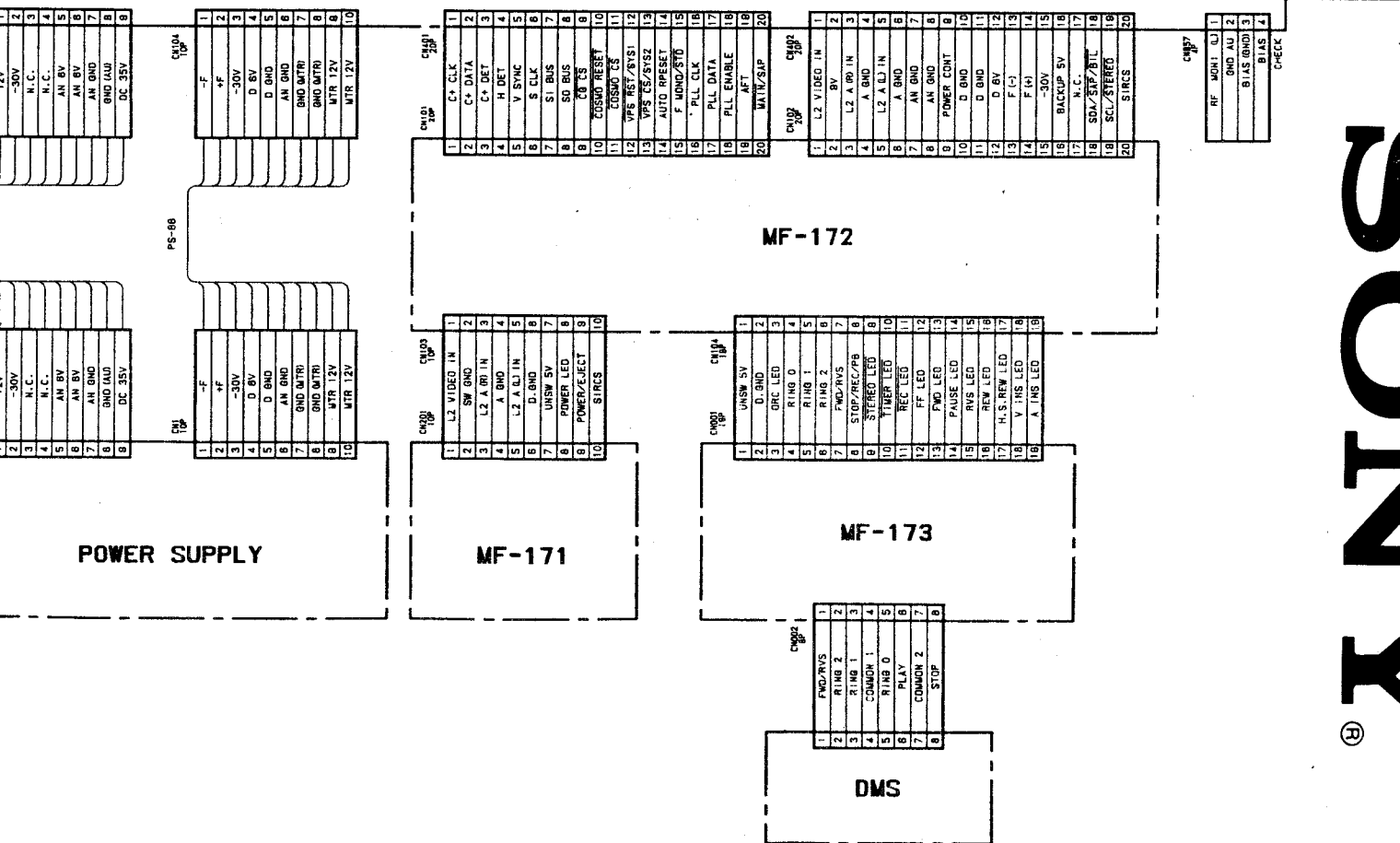


OVERALL WIRING DIAGRAM





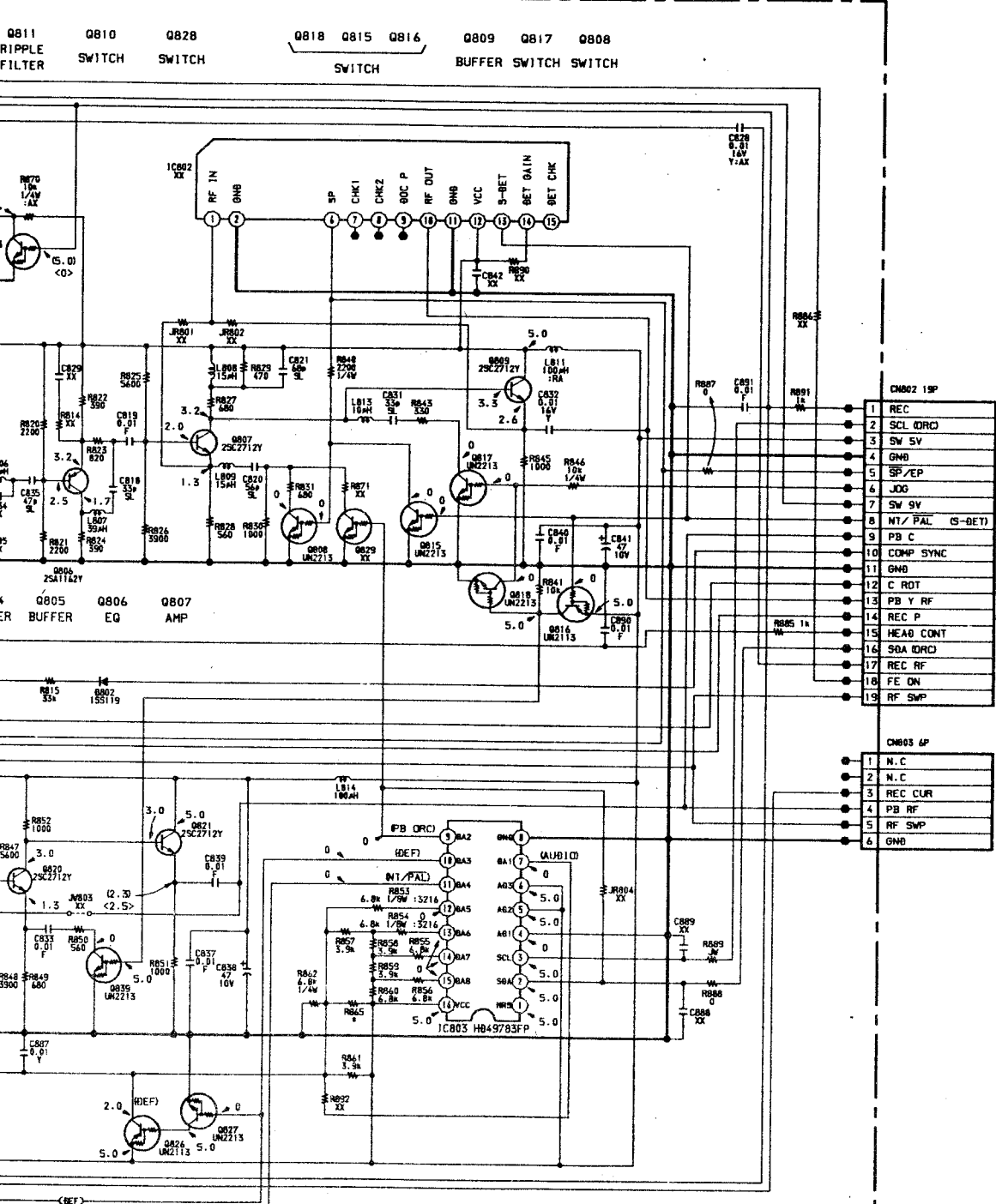
MA-144



**SONY**  
®



**SCHEMATIC DIAGRAM**



TO  
MA-144 BOARD  
CN601

CHECK

# SLV-486EE VIDEO CASSETTE RECORDER

CN602 15P	
1	REC
2	SCL (ORC)
3	SW 5V
4	GND
5	SP/EP
6	JDD
7	SW 9V
8	NT/PAL (S-BET)
9	PB C
10	COMP SYNC
11	GND
12	C ROT
13	PB Y RF
14	REC P
15	HEAD CONT
16	SDA (ORC)
17	REC RF
18	FE ON
19	RF SWP

CN603 6P	
1	N.C
2	N.C
3	REC CUR
4	PB RF
5	RF SWP
6	GND

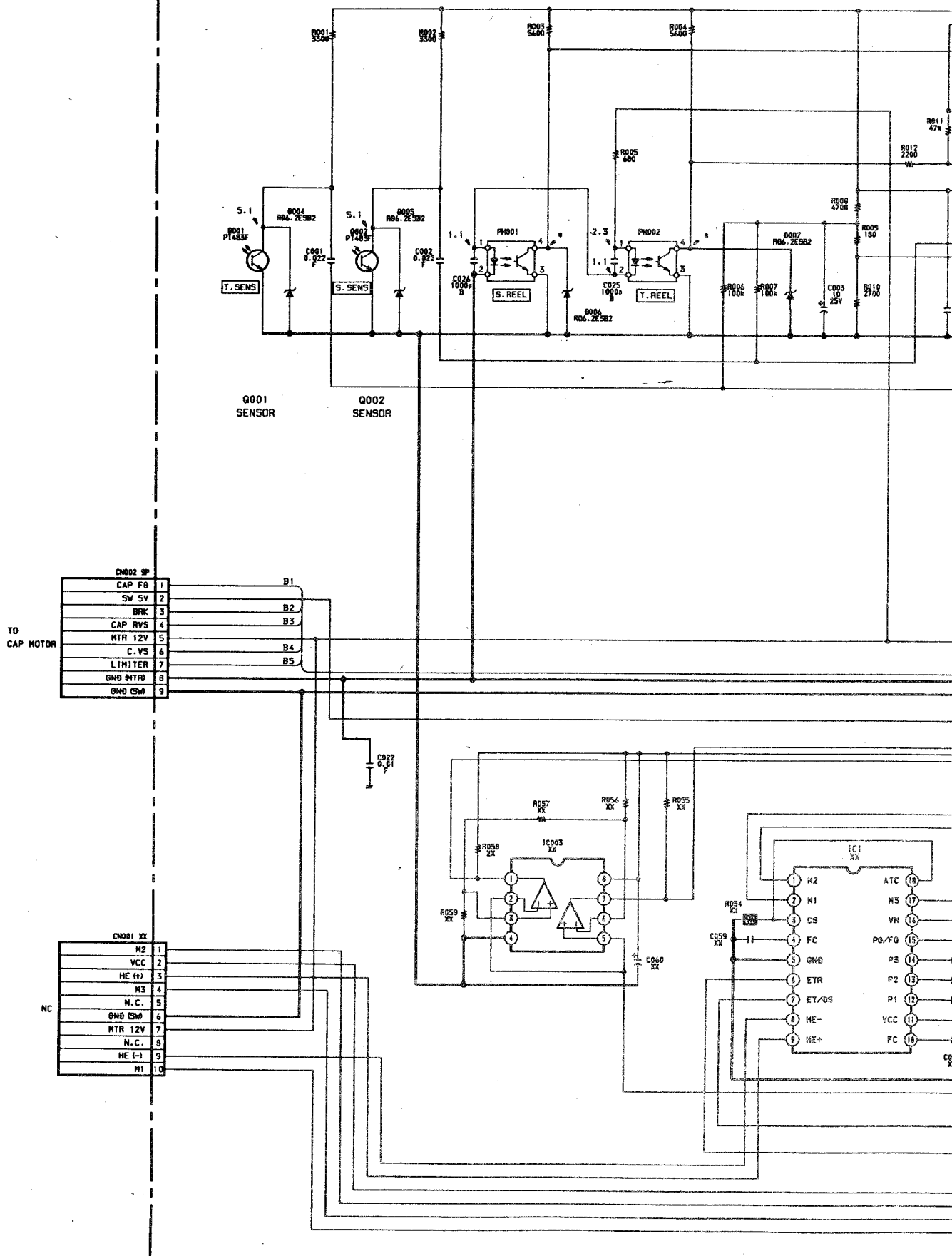
Q820 AMP  
Q839 SWITCH  
Q821 BUFFER  
Q826 AMP  
Q827 AMP

**IC803**  
SYNCHRONIZED  
SERIAL BUS

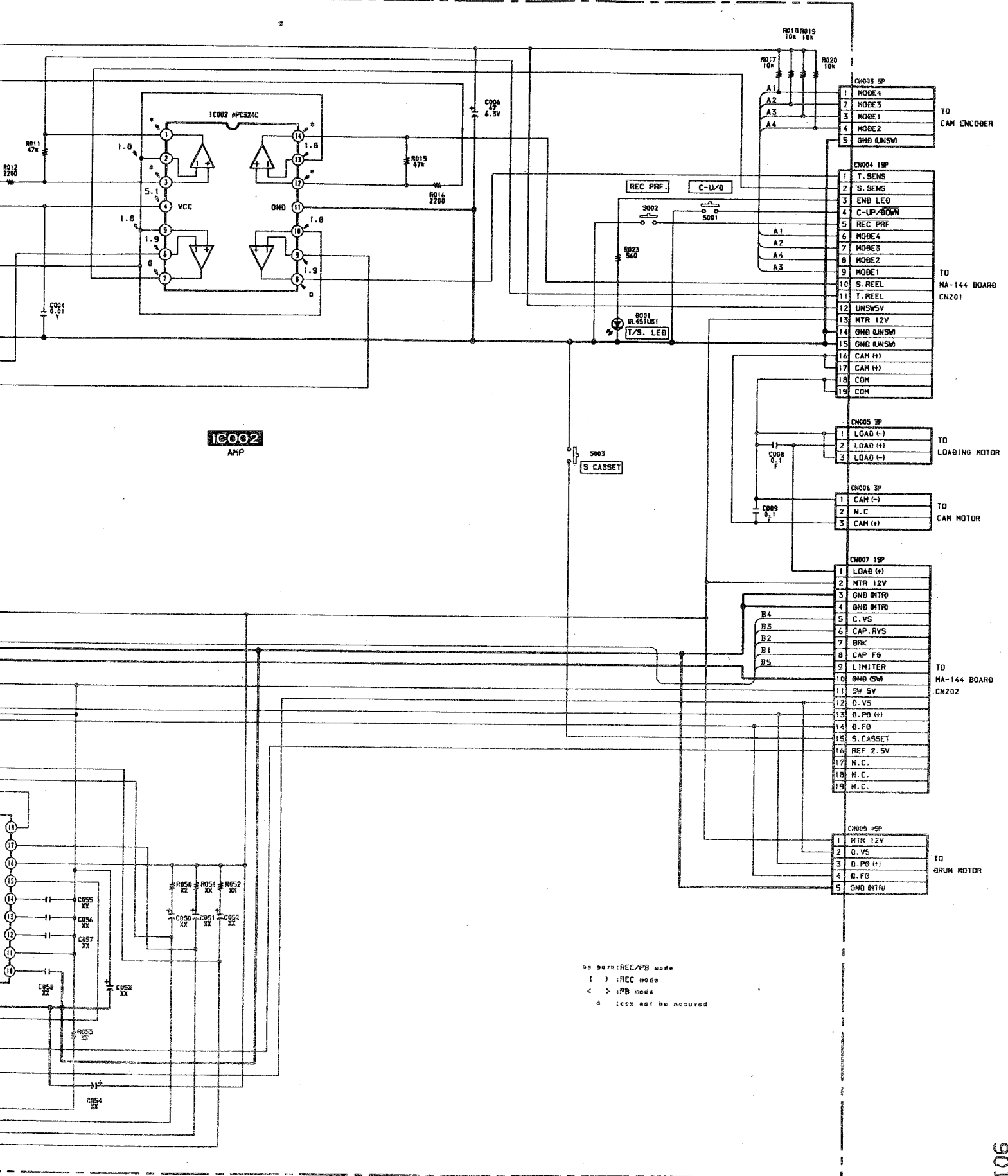
SHIELD CASE

\*\* mark: REC/PB mode  
( ) : REC mode  
< > : PB mode  
\* : does not be assured

MD-58 BOARD



ISM DRIVE) SCHEMATIC DIAGRAM

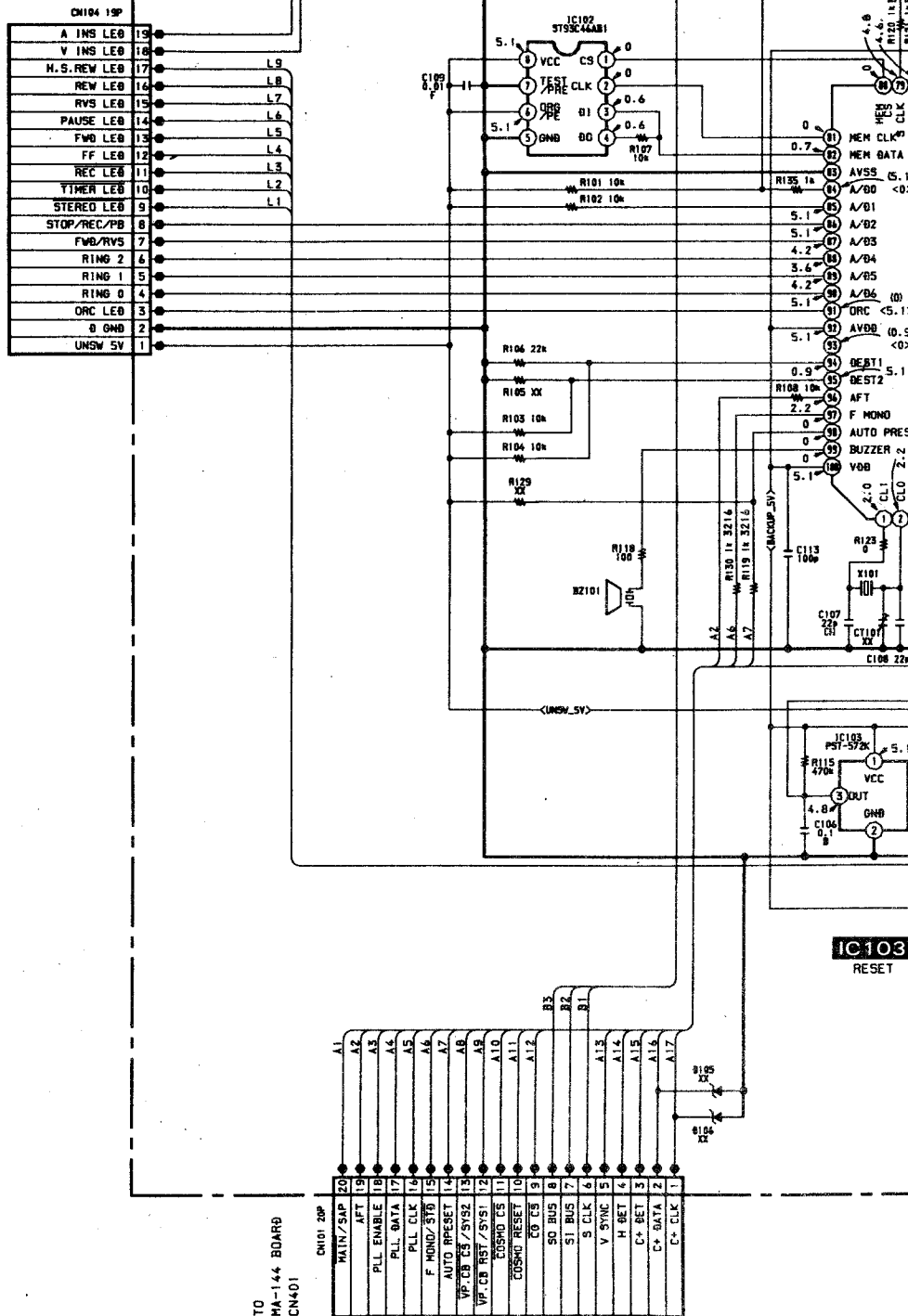


MF-172 (TIMER TUNER

MF-172 BOARD

TO  
MF-173 BOARD  
CN001

CN104 19P	
A INS LE0	19
V INS LE0	18
H.S.REW LE0	17
REW LE0	16
RVS LE0	15
PAUSE LE0	14
FWD LE0	13
FF LE0	12
REC LE0	11
TIMER LE0	10
STEREO LE0	9
STOP/REC/PB	8
FWD/RVS	7
RING 2	6
RING 1	5
RING 0	4
ORC LE0	3
0 GND	2
UNSW 5V	1

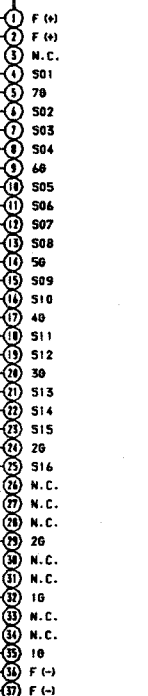
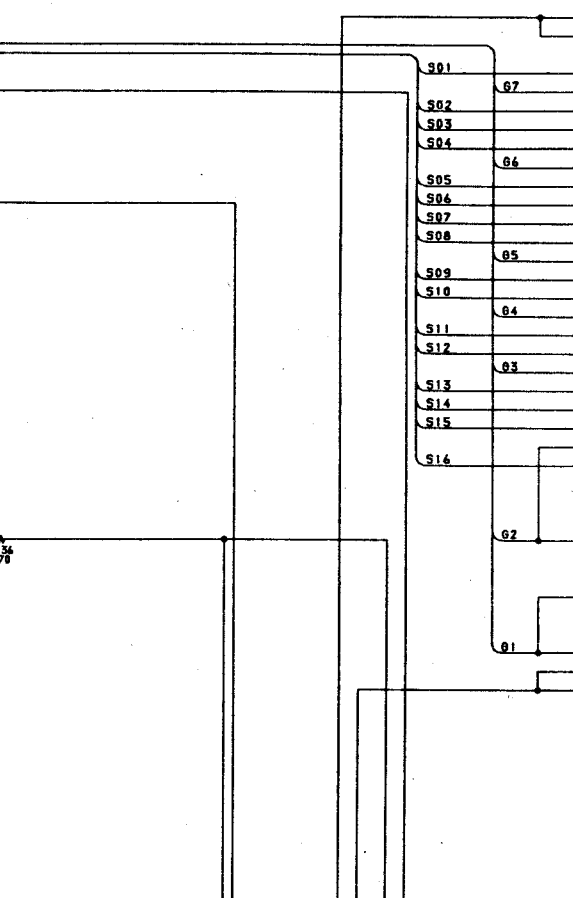
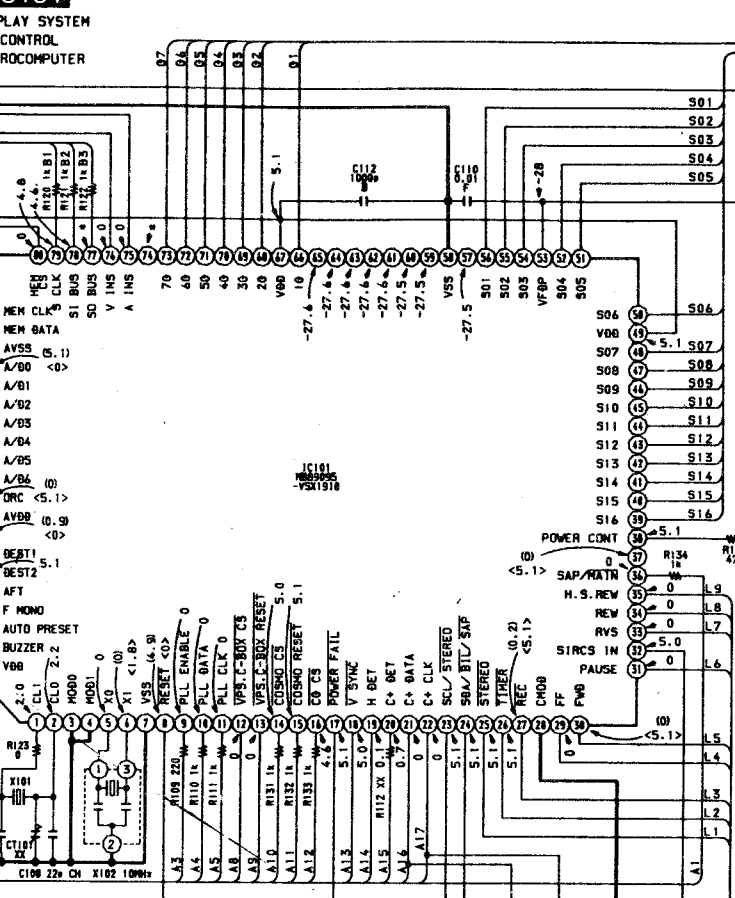


TO  
MA-144 BOARD  
CN401

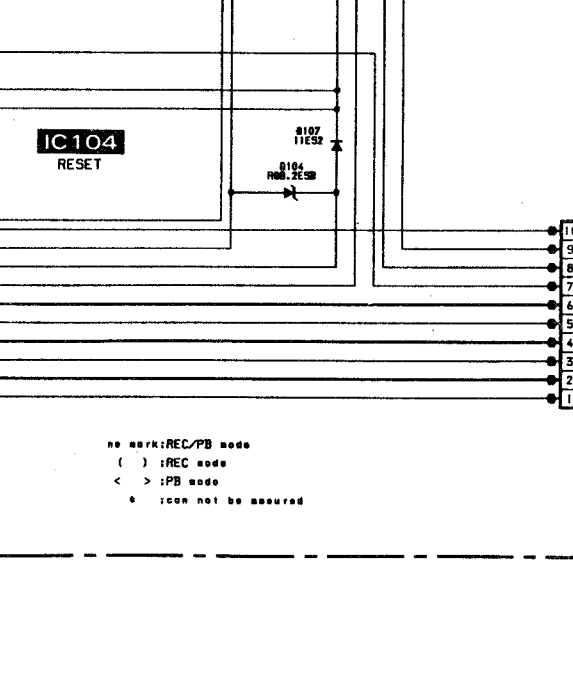
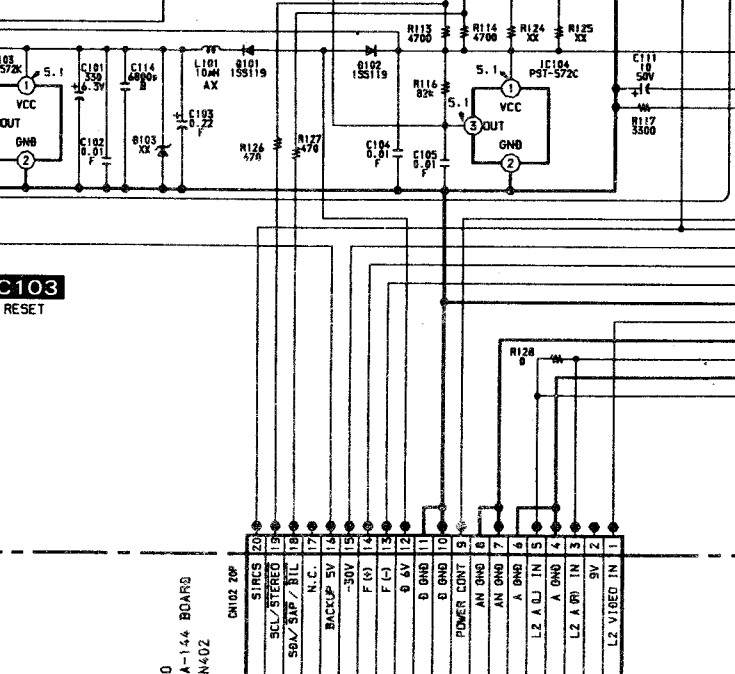
CN101 20P	
MAIN/SAP	20
AFT	19
PLL ENABLE	18
PLL DATA	17
PLL CLK	16
F MOND/SYS	15
AUTO RESET	14
VP.CB.CS/SYS2	13
VP.CB.RST/SYST	12
COSMO CS	11
COSMO RESET	10
CS CS	9
SD BUS	8
SI BUS	7
S CLK	6
V SYNC	5
H BET	4
C+ BET	3
C+ DATA	2
C+ CLK	1

# NER MODE CONTROL) SCHEMATIC DIAGRAM

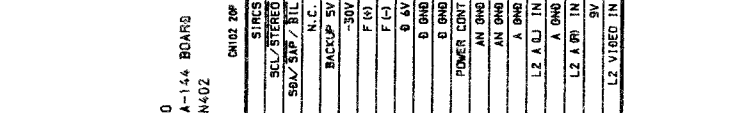
**C101**  
PLAY SYSTEM  
CONTROL  
MICROCOMPUTER



**C103**  
RESET



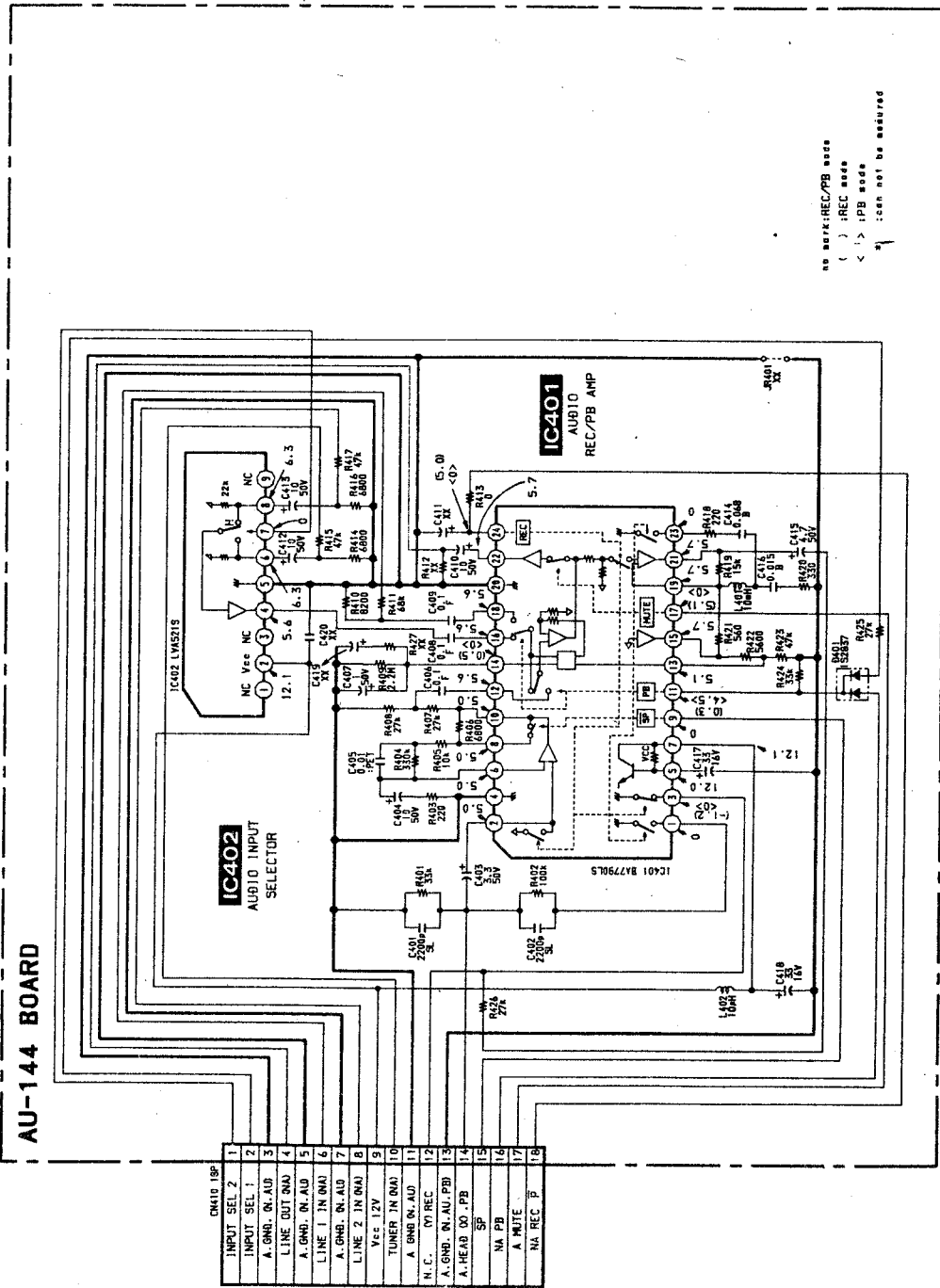
no mark: REC/PB mode  
( ) : REC mode  
< > : PB mode  
\* : icon not be assured





# AU-144 (AUDIO) SCHEMATIC DIAGRAM

## AU-144 BOARD

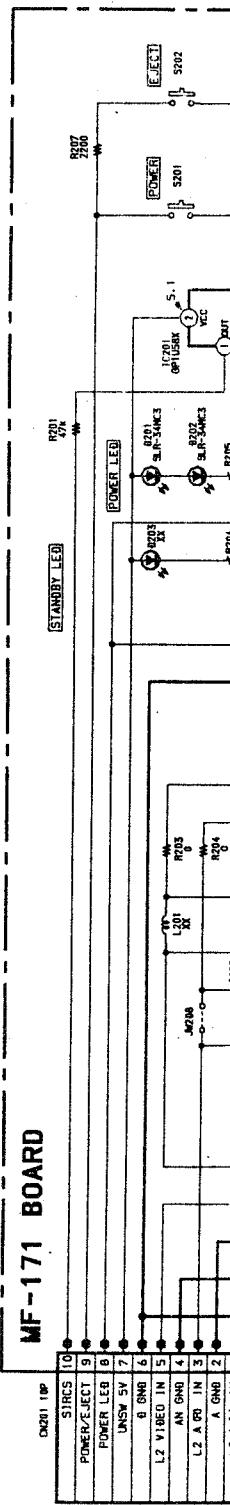


DO NOT RE-REC/PB MODE  
 ( ) : REC mode  
 < > : PB mode  
 \* : can not be assured

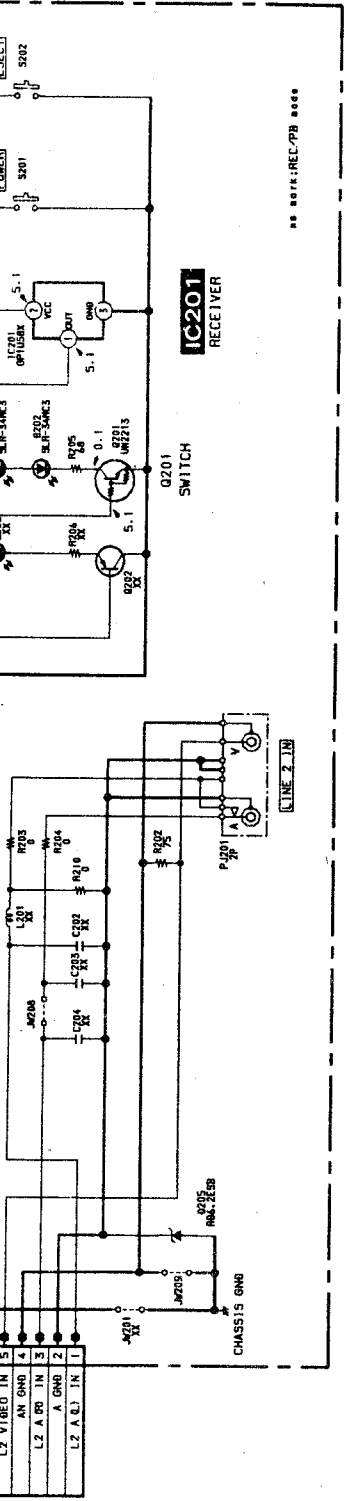
TO MA-144 BOARD  
 CN855

# MF-171 (SWITCH, LINE 2 IN) SCHEMATIC DIAGRAM

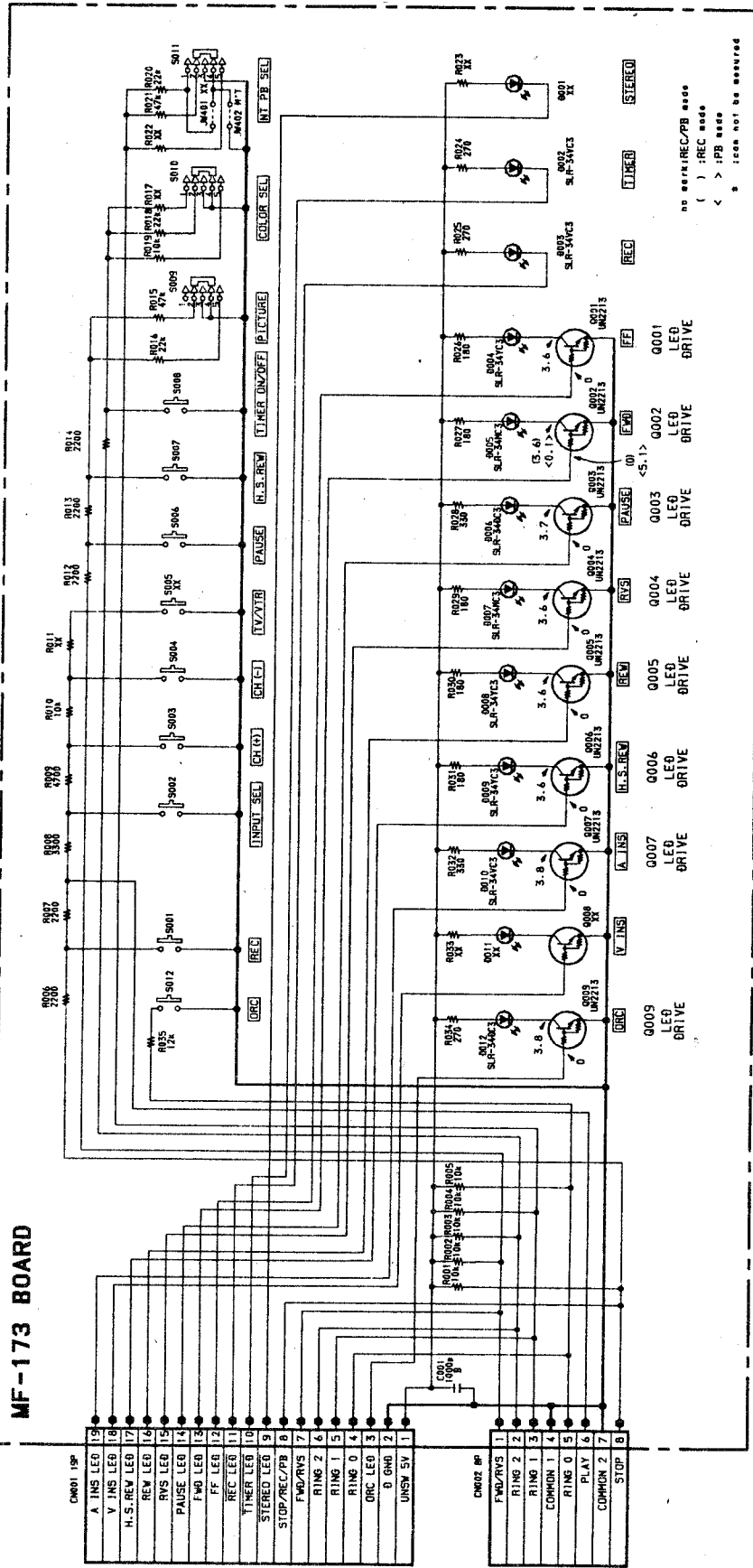
## MF-171 BOARD



TO MF-172 BOARD  
 CN105



### MF-173 (SWITCH BLOCK) SCHEMATIC DIAGRAM

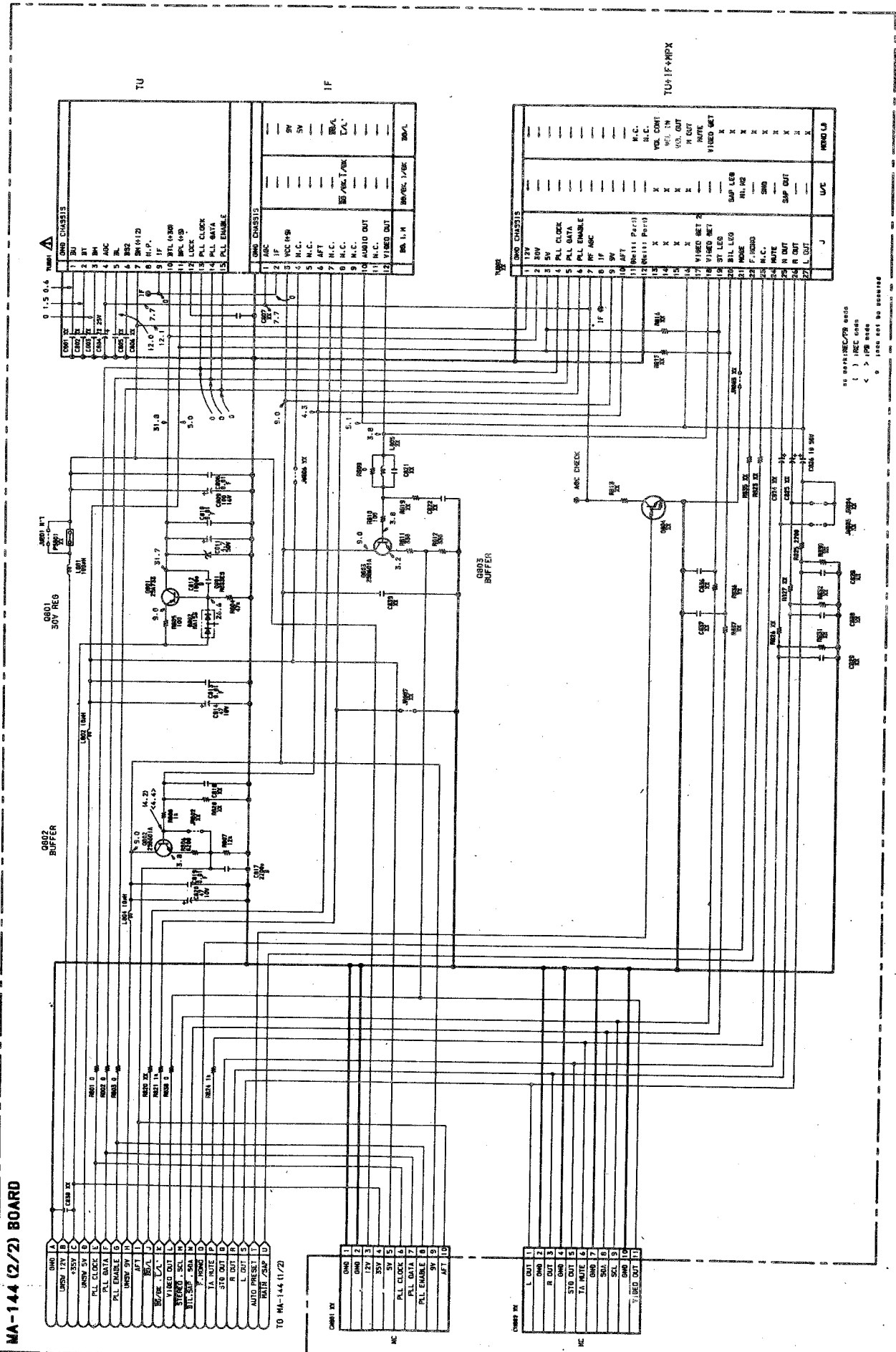


TO MF-172 BOARD  
CN104

TO DMS

MA-144 (TUNER, IF) SCHEMATIC DIAGRAM

MA-144 (2/2) BOARD









**VIDEO SIGNAL PROCESS) SCHEMATIC DIAGRAM**

