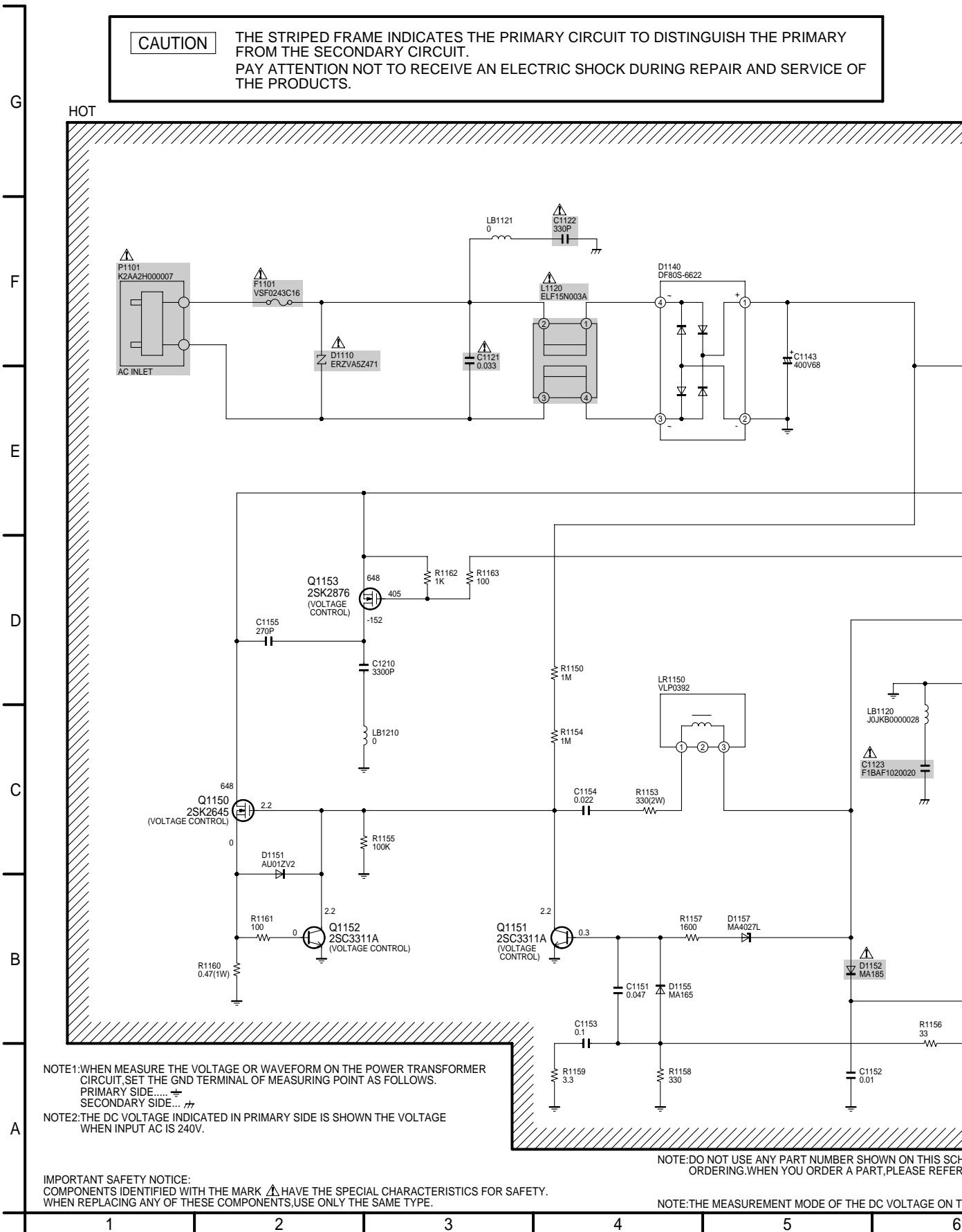


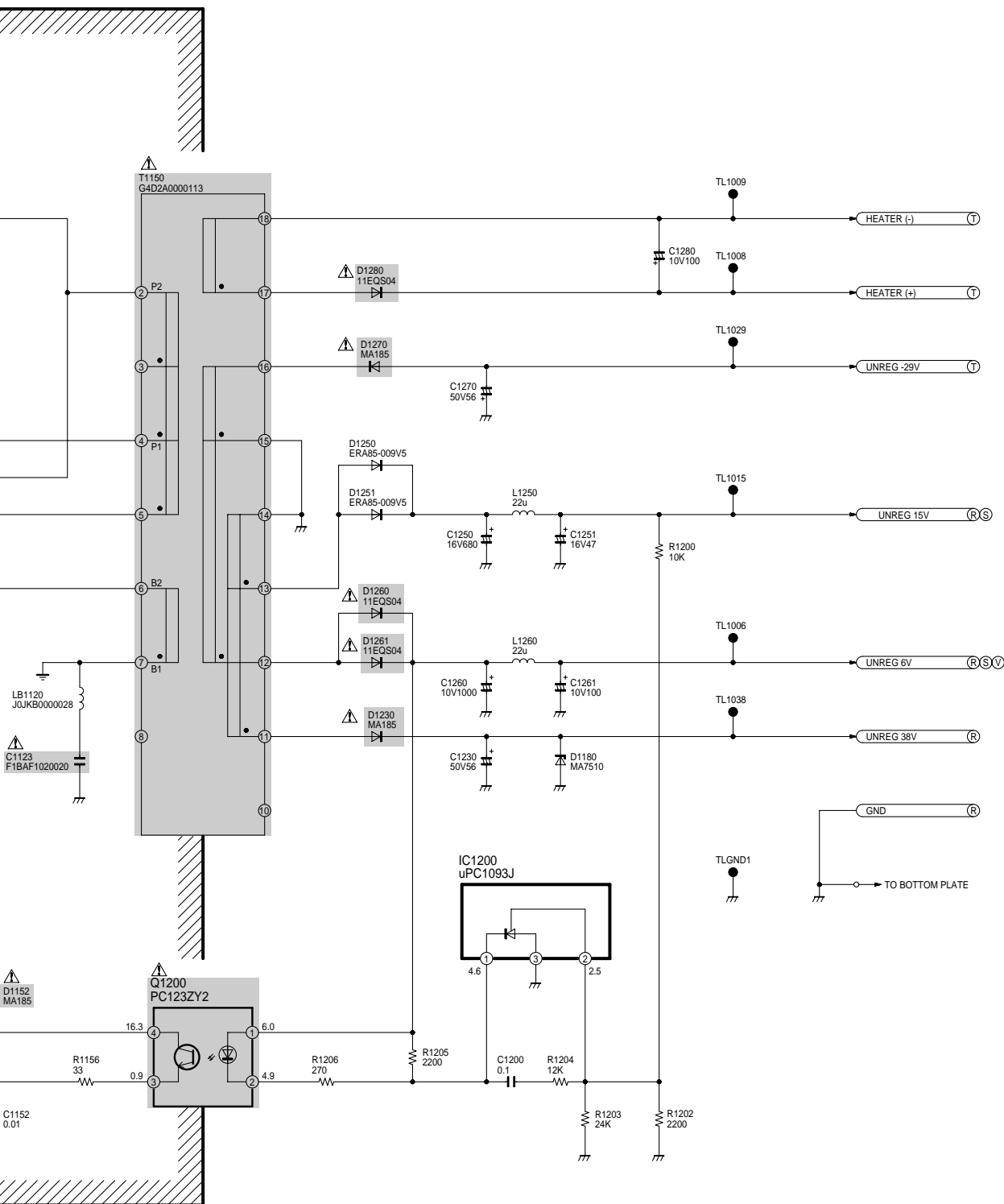
8 SCHEMATIC DIAGRAMS

8.1. POWER TRANSFORMER SECTION IN MAIN SCHEMATIC DIAGRAM



F

- Ⓡ :TO POWER SUPPLY/RF SECTION
- Ⓢ :TO SYSTEM CONTROL & SERVO SECTION
- Ⓣ :TO TIMER SECTION
- Ⓥ :TO LUMINANCE & CHROMINANCE/AUDIO SECTION



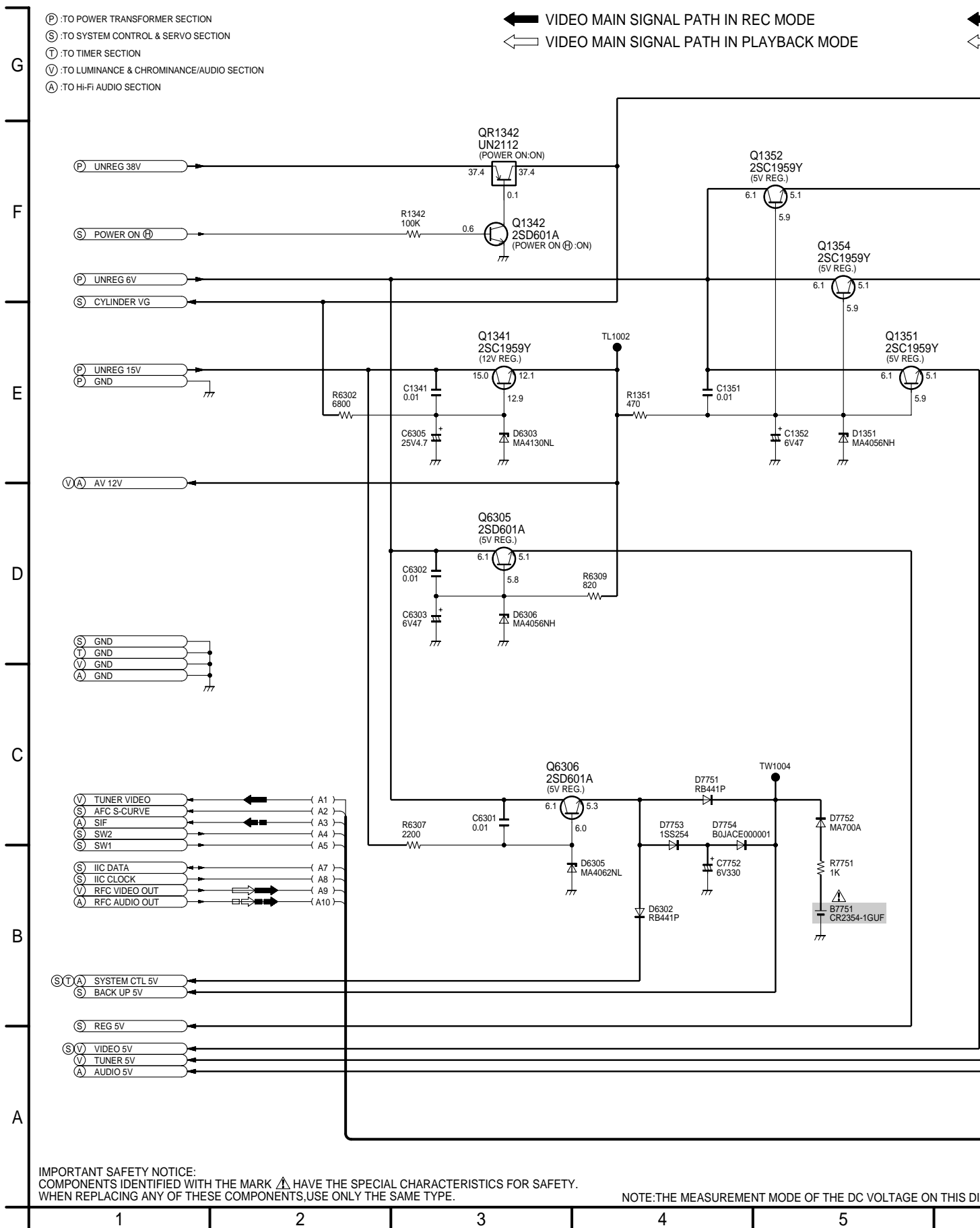
SHOWN ON THIS SCHEMATIC DIAGRAM FOR PART, PLEASE REFER TO PARTS LIST.

THE DC VOLTAGE ON THIS DIAGRAM IS STOP MODE.

NV-HV60GR
POWER TRANSFORMER
SECTION SCHEMATIC DIAGRAM

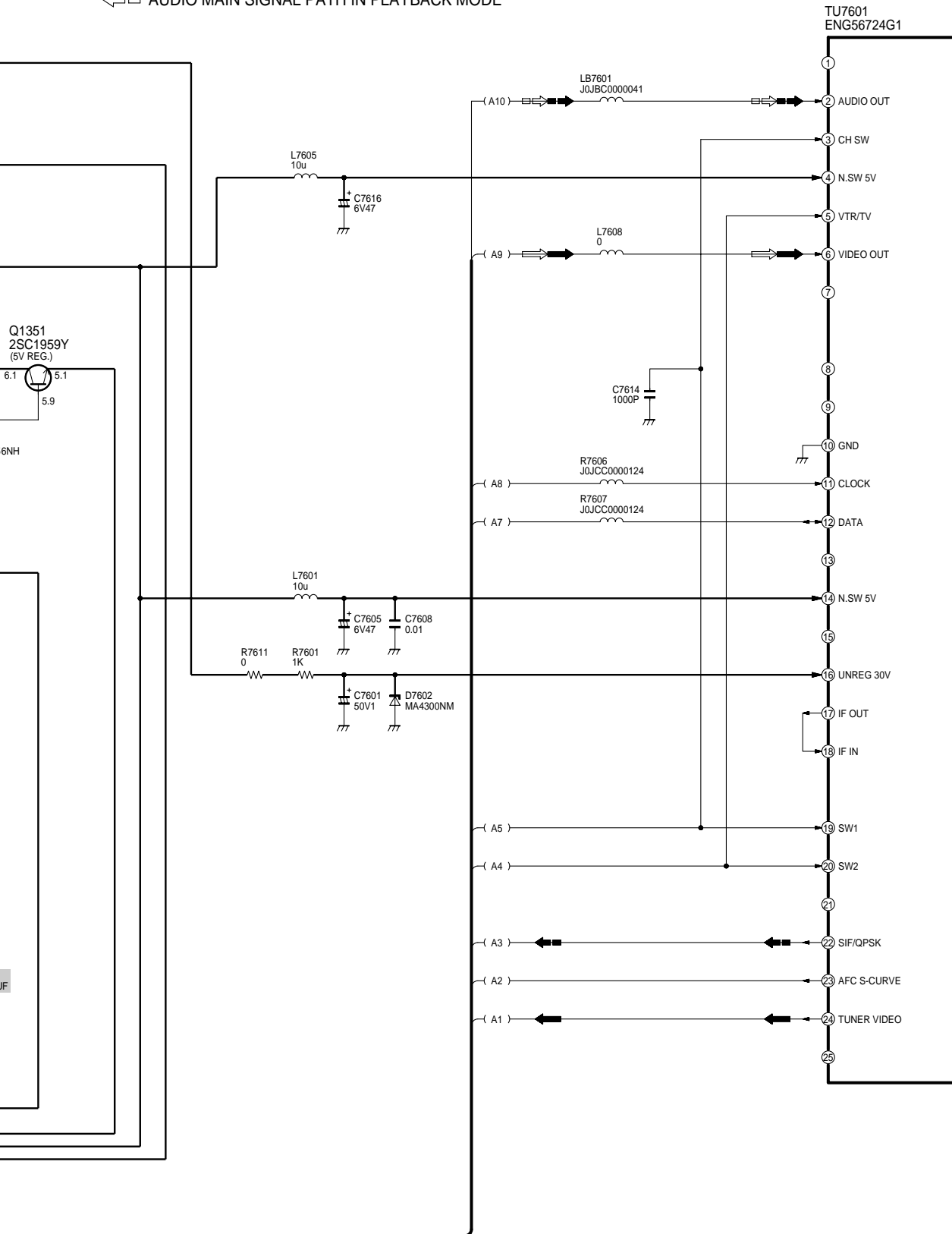
6 | 7 | 8 | 9 | 10

8.2. POWER SUPPLY/ RF SECTION IN MAIN SCHEMATIC DIAGRAM





◀▶ AUDIO MAIN SIGNAL PATH IN REC MODE
 ◀◻ AUDIO MAIN SIGNAL PATH IN PLAYBACK MODE



NOTE: DO NOT USE ANY PART NUMBER SHOWN ON THIS SCHEMATIC DIAGRAM FOR ORDERING. WHEN YOU ORDER A PART, PLEASE REFER TO PARTS LIST.

NV-HV60GR
POWER SUPPLY/RF SECTION
SCHEMATIC DIAGRAM

VOLTAGE ON THIS DIAGRAM IS STOP MODE.

6

7

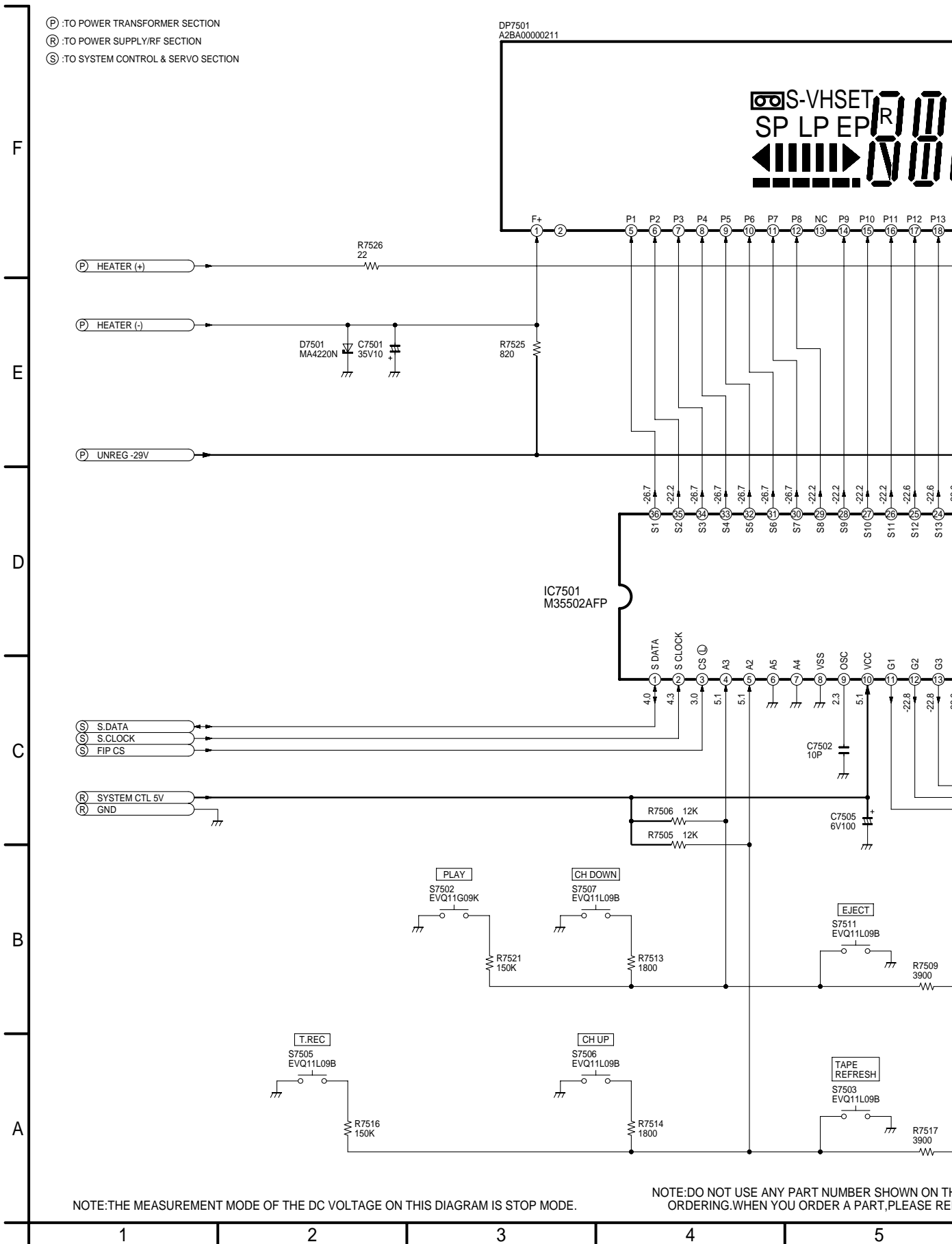
8

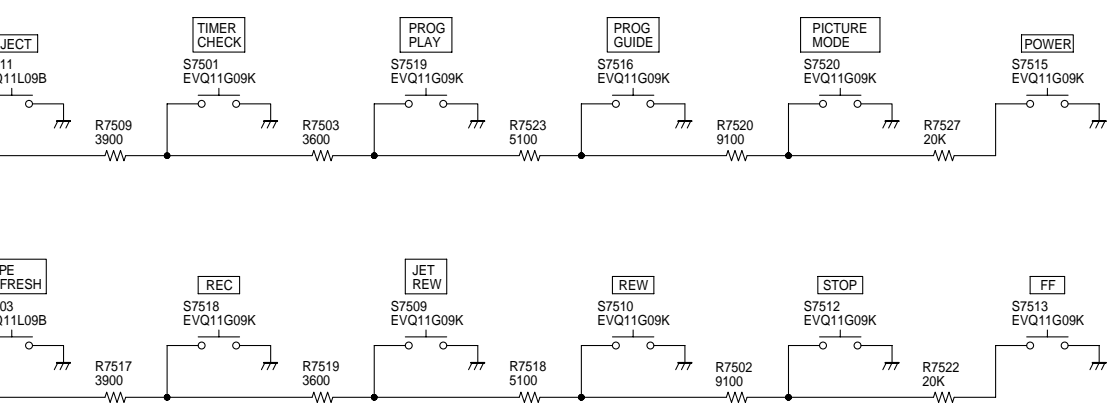
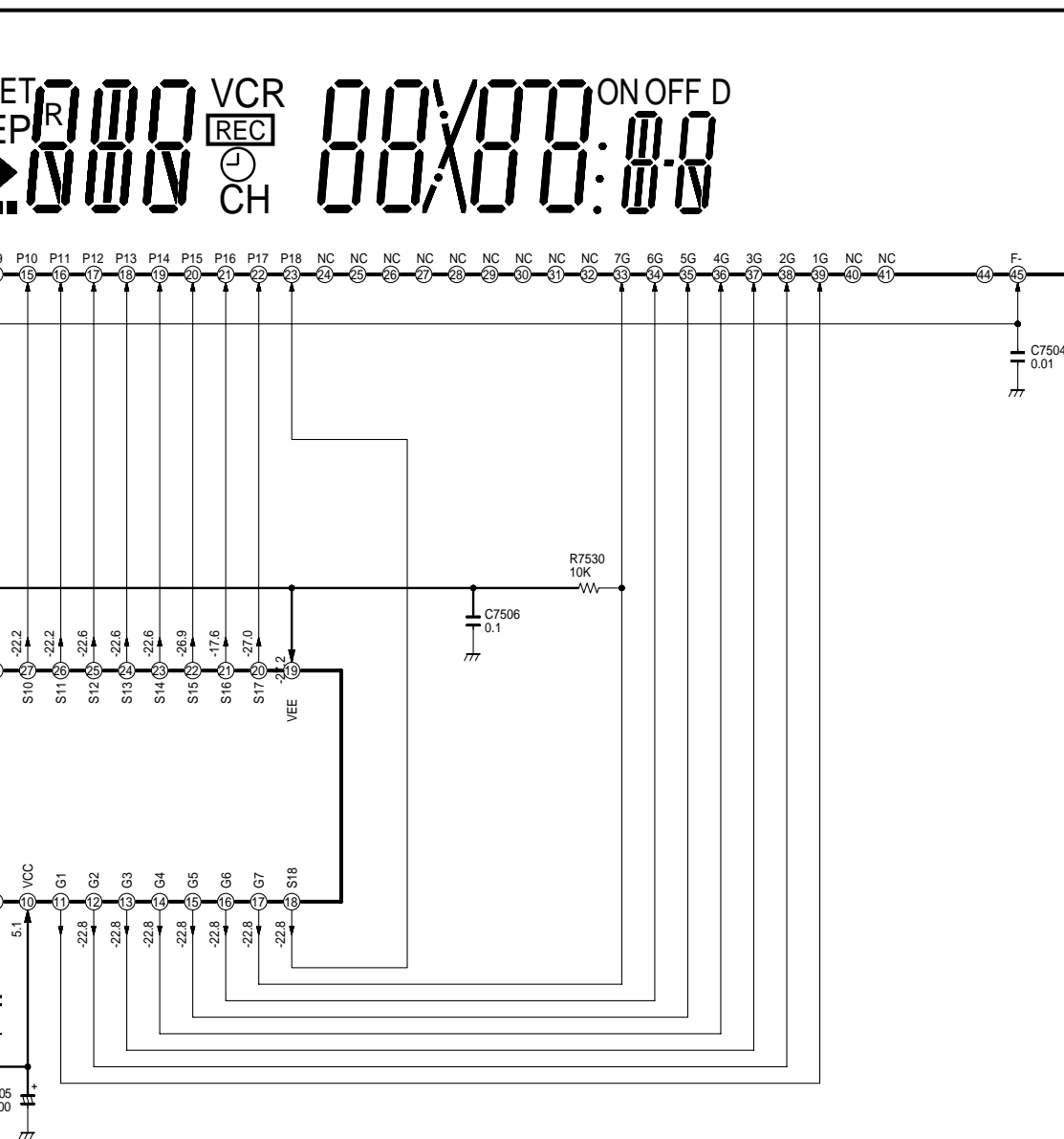
9

10



8.3. TIMER SECTION IN MAIN SCHEMATIC DIAGRAM



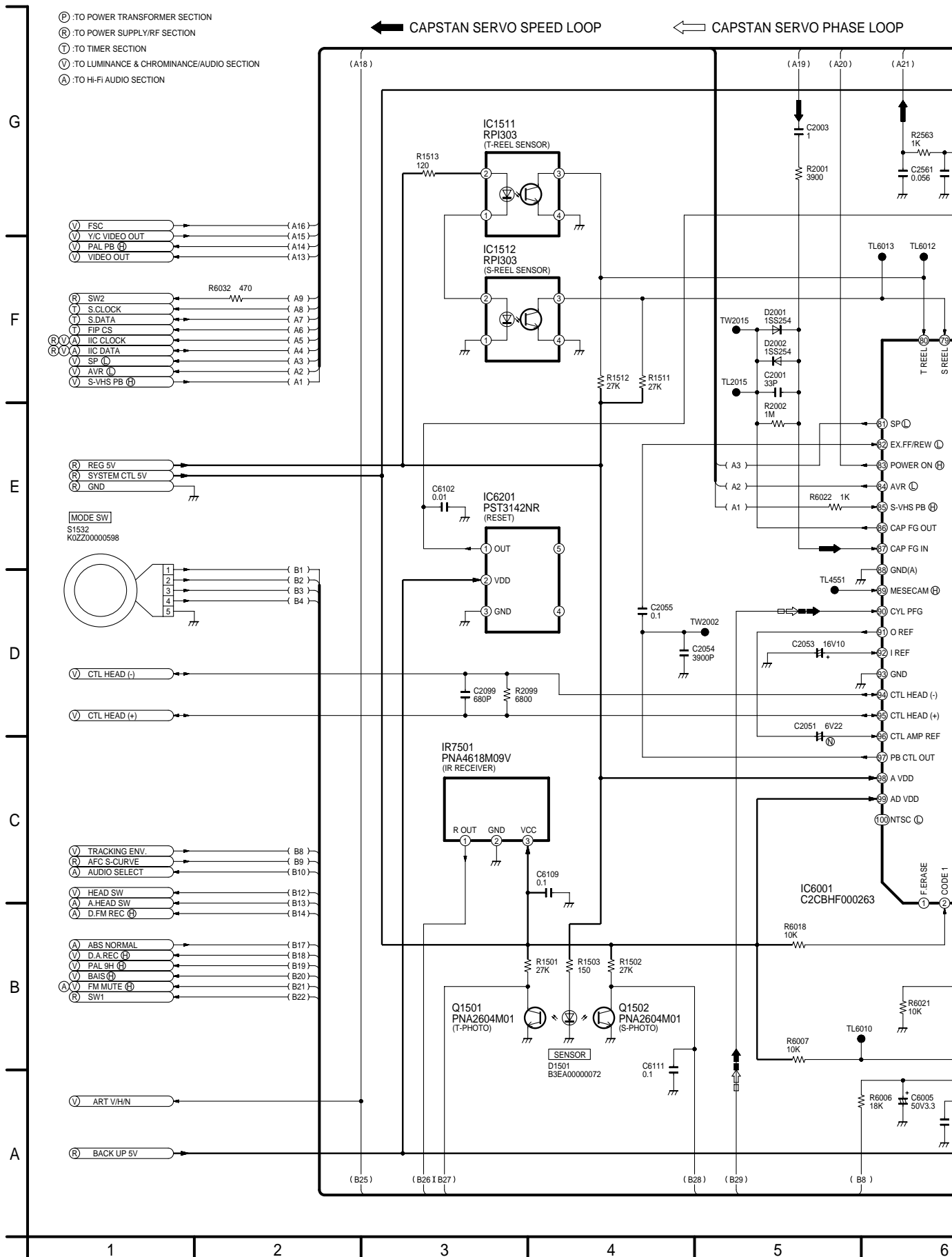


NUMBER SHOWN ON THIS SCHEMATIC DIAGRAM FOR PART, PLEASE REFER TO PARTS LIST.

NV-HV60GR
TIMER SECTION SCHEMATIC DIAGRAM

5 6 7 8

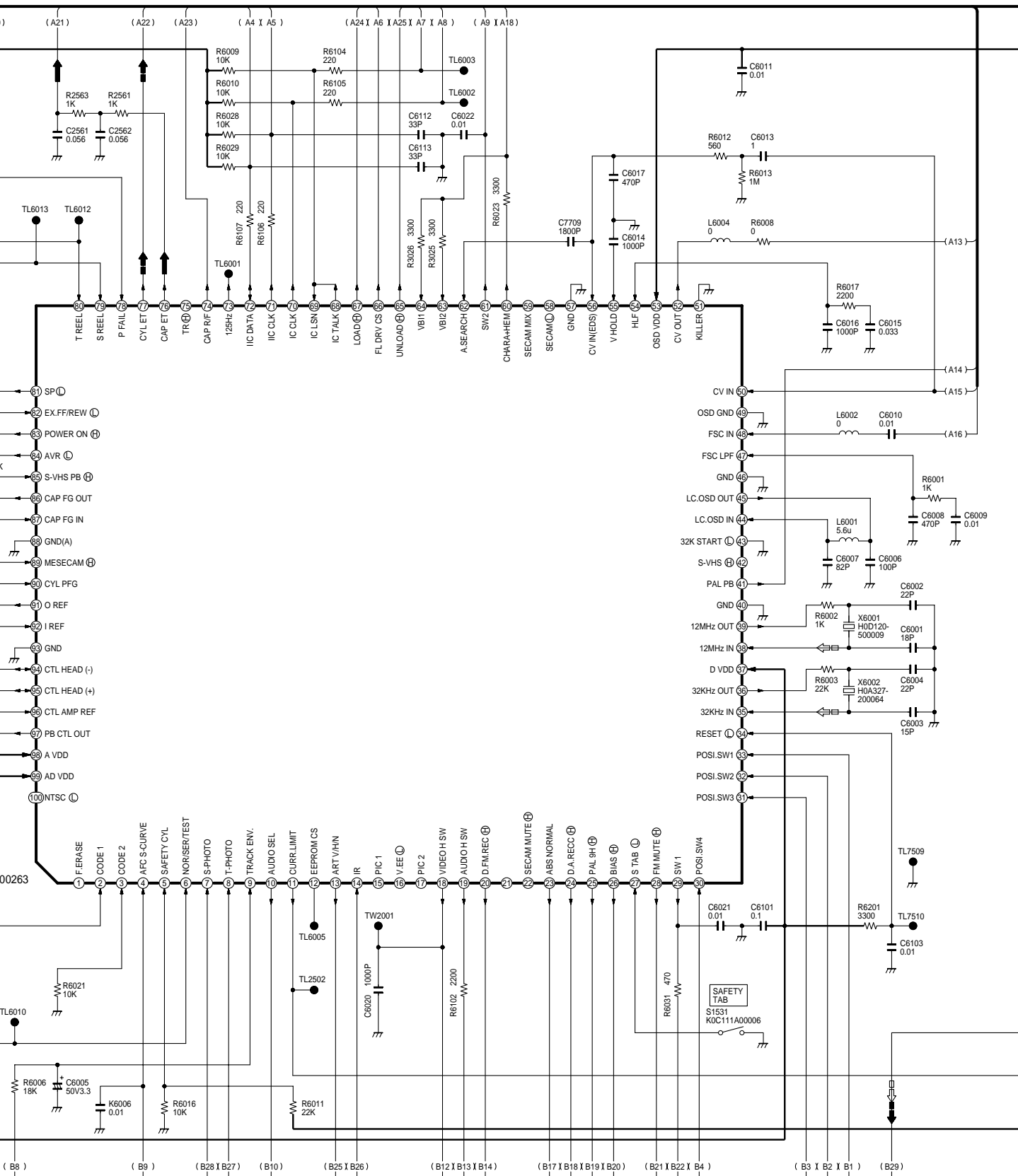
8.4. SYSTEM CONTROL & SERVO SECTION IN MAIN SCHEMATIC DIAGRAM



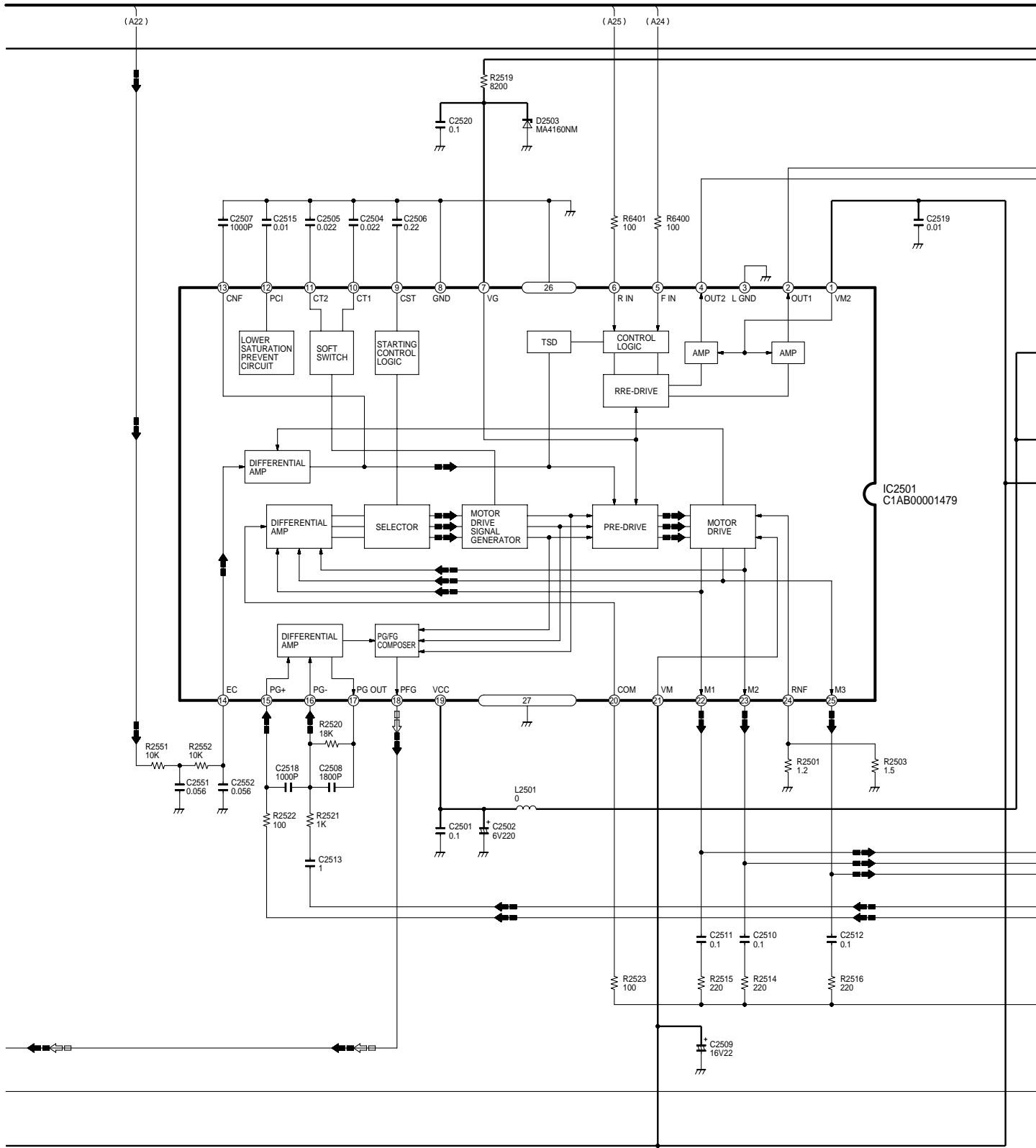
SE LOOP

← CYLINDER SERVO SPEED LOOP

← CYLINDER SERVO PHASE LOOP



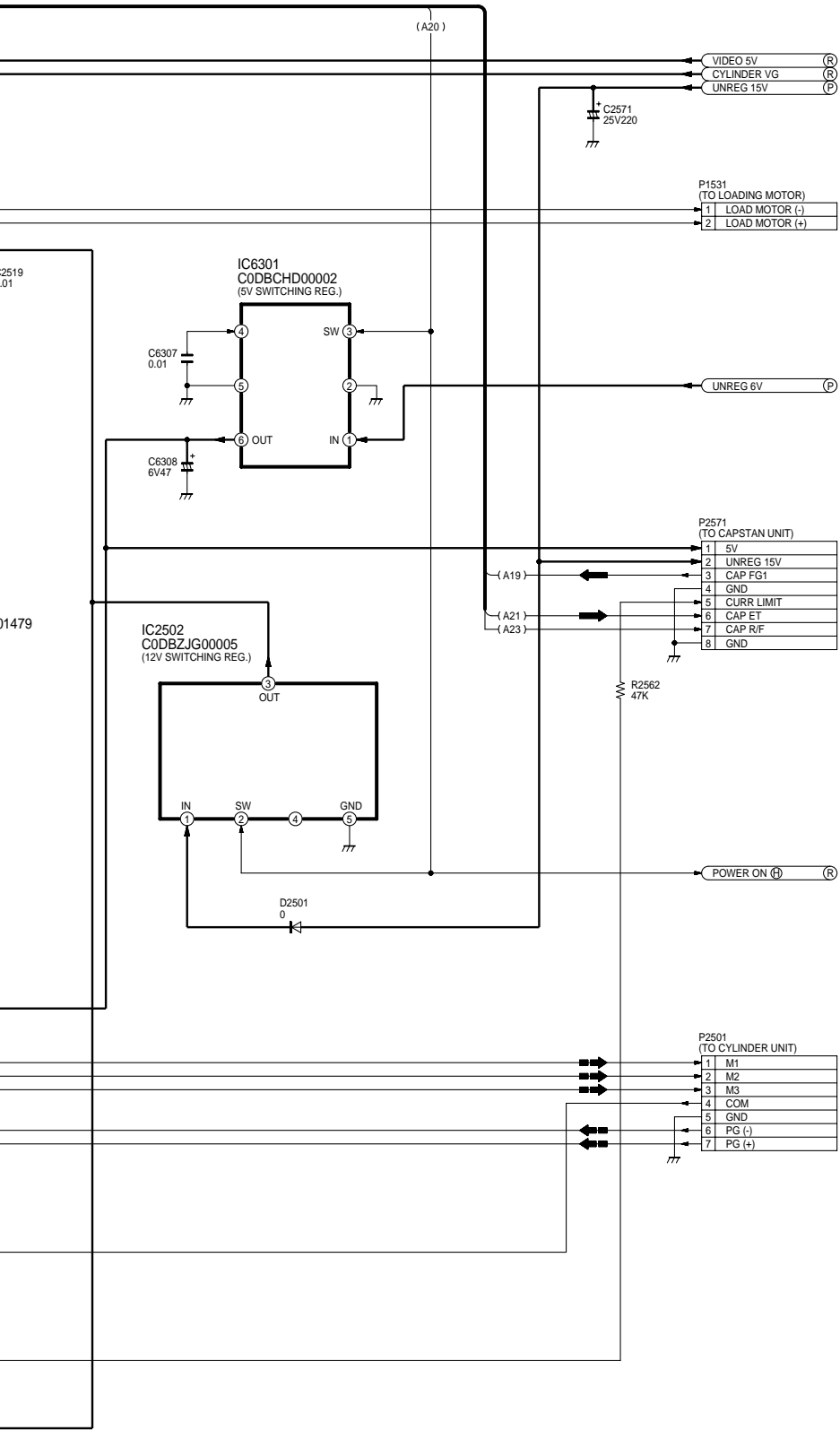
NV-HV60GR SYSTEM CONTROL & SERVO SECTION SCHEMATIC DIAGRAM



NV-HV60GR
 SYSTEM CONTROL & SERVO
 SECTION SCHEMATIC DIAGRAM

NOTE: DO NOT USE ANY PART NUMBER SHOWN ON THIS SCHEMATIC DIAGRAM FOR ORDERING. WHEN YOU ORDER A PART, PLEASE REFER TO PARTS LIST.

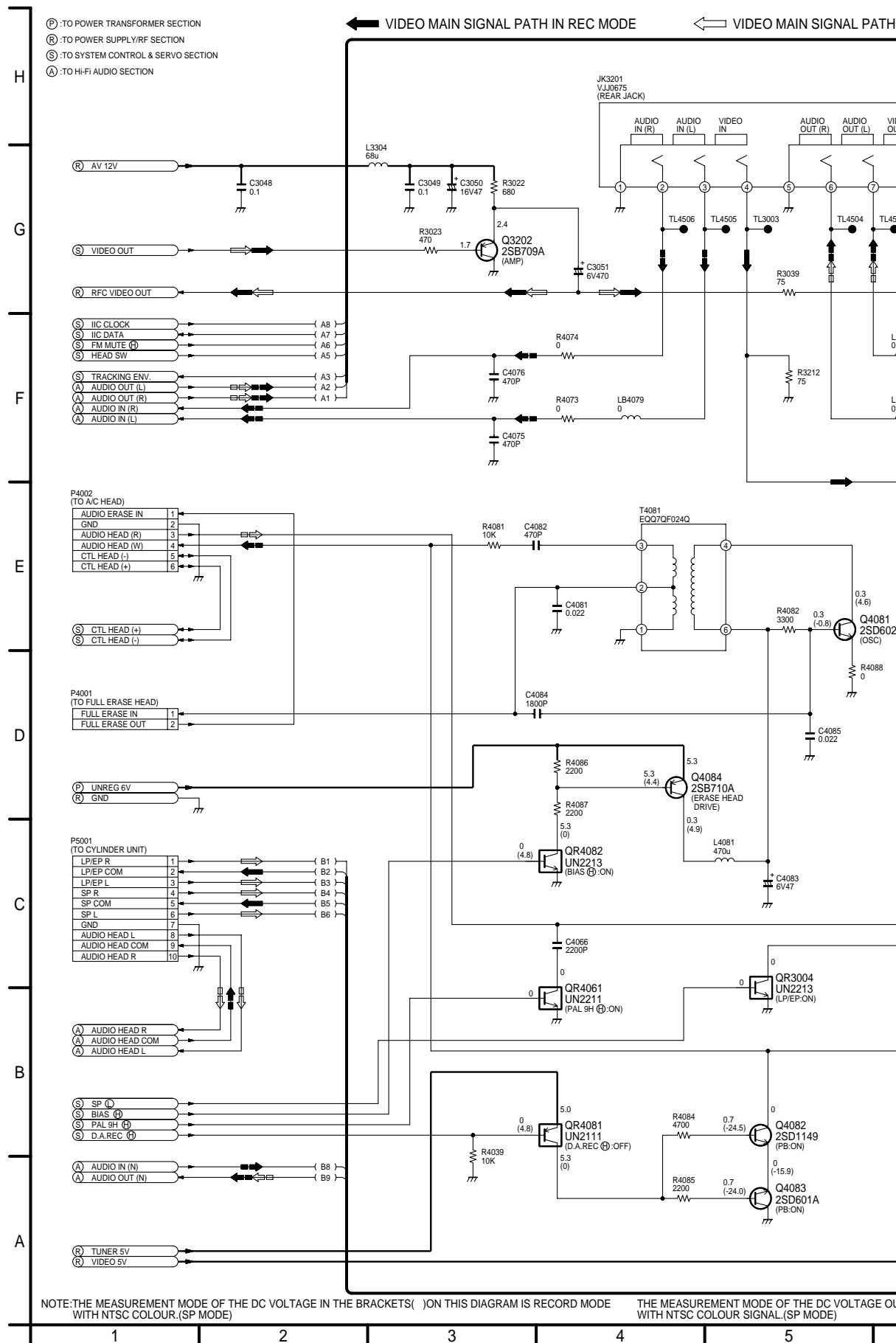
12 | 13 | 14 | 15 | 16 | 17



THIS SCHEMATIC DIAGRAM FOR
REFER TO PARTS LIST.

NV-HV60GR
SYSTEM CONTROL & SERVO
SECTION SCHEMATIC DIAGRAM

8.5. LUMINANCE & CHROMINANCE/ AUDIO SECTION IN MAIN SCHEMATIC DIAGR

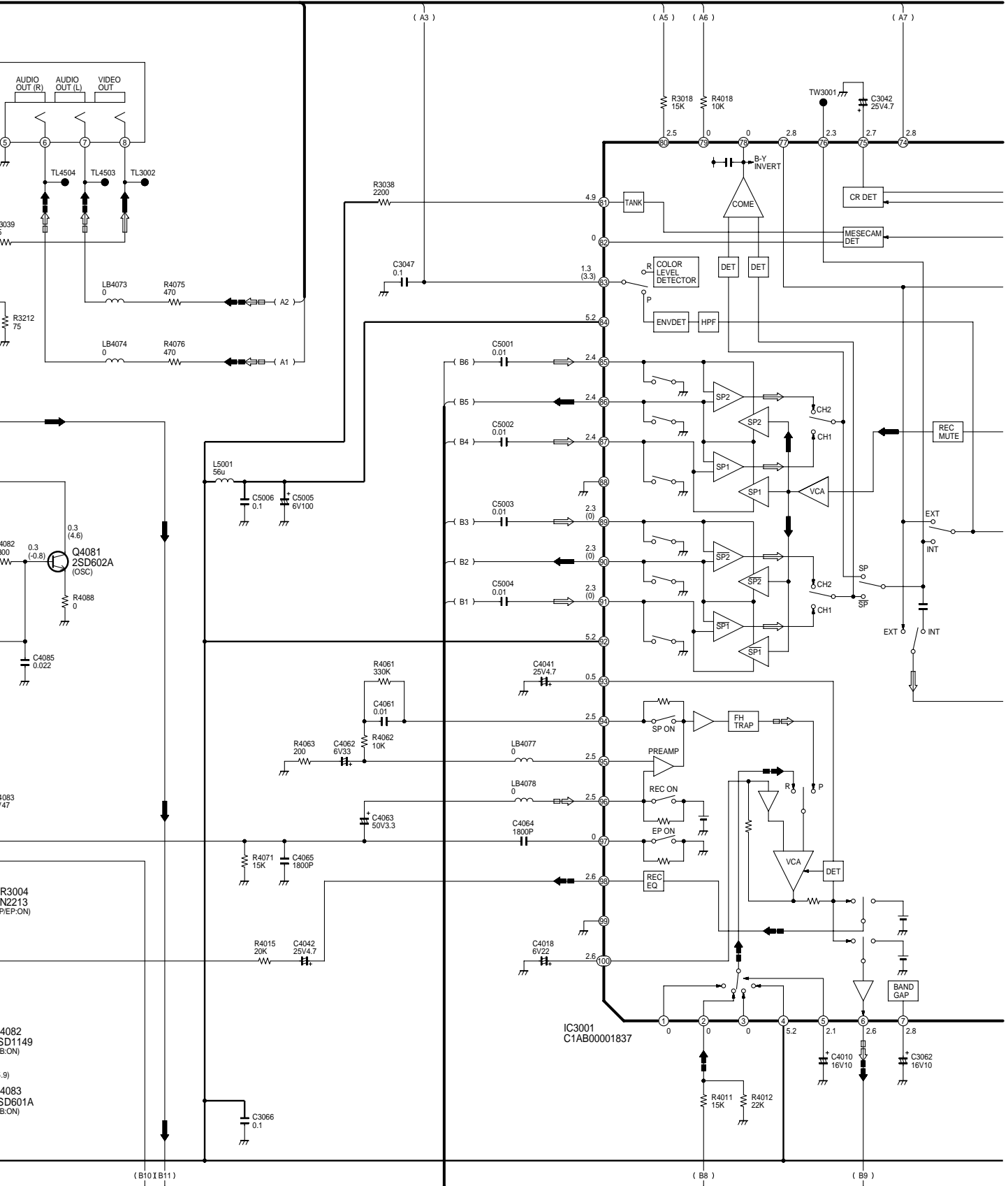


C DIAGRAM

MAIN SIGNAL PATH IN PLAYBACK MODE

← AUDIO MAIN SIGNAL PATH IN REC MODE

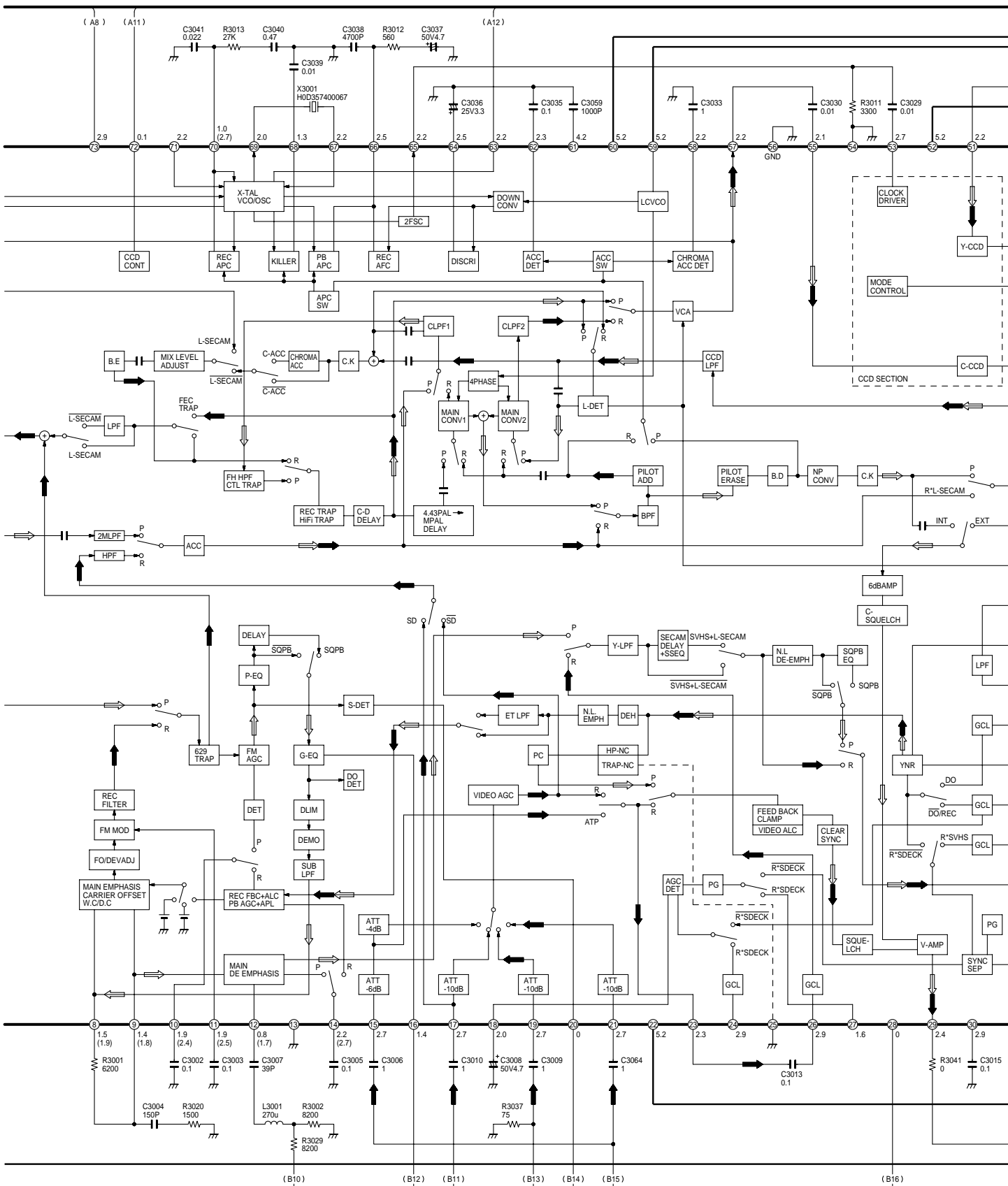
⇐ AUDIO MAIN SIGNAL PATH IN PLAYBACK MODE



IF THE DC VOLTAGE OUT OF THE BRACKETS ON THIS DIAGRAM IS PLAYBACK MODE (SP MODE)

NV-HV60GR LUMINANCE & CHROMINANCE/AUDIO SECTION SCHEMATIC DIAGRAM

5 6 7 8 9 10 11



NV-HV60GR
LUMINANCE & CHROMINANCE/AUDIO SECTION SCHEMATIC DIAGRAM

12

13

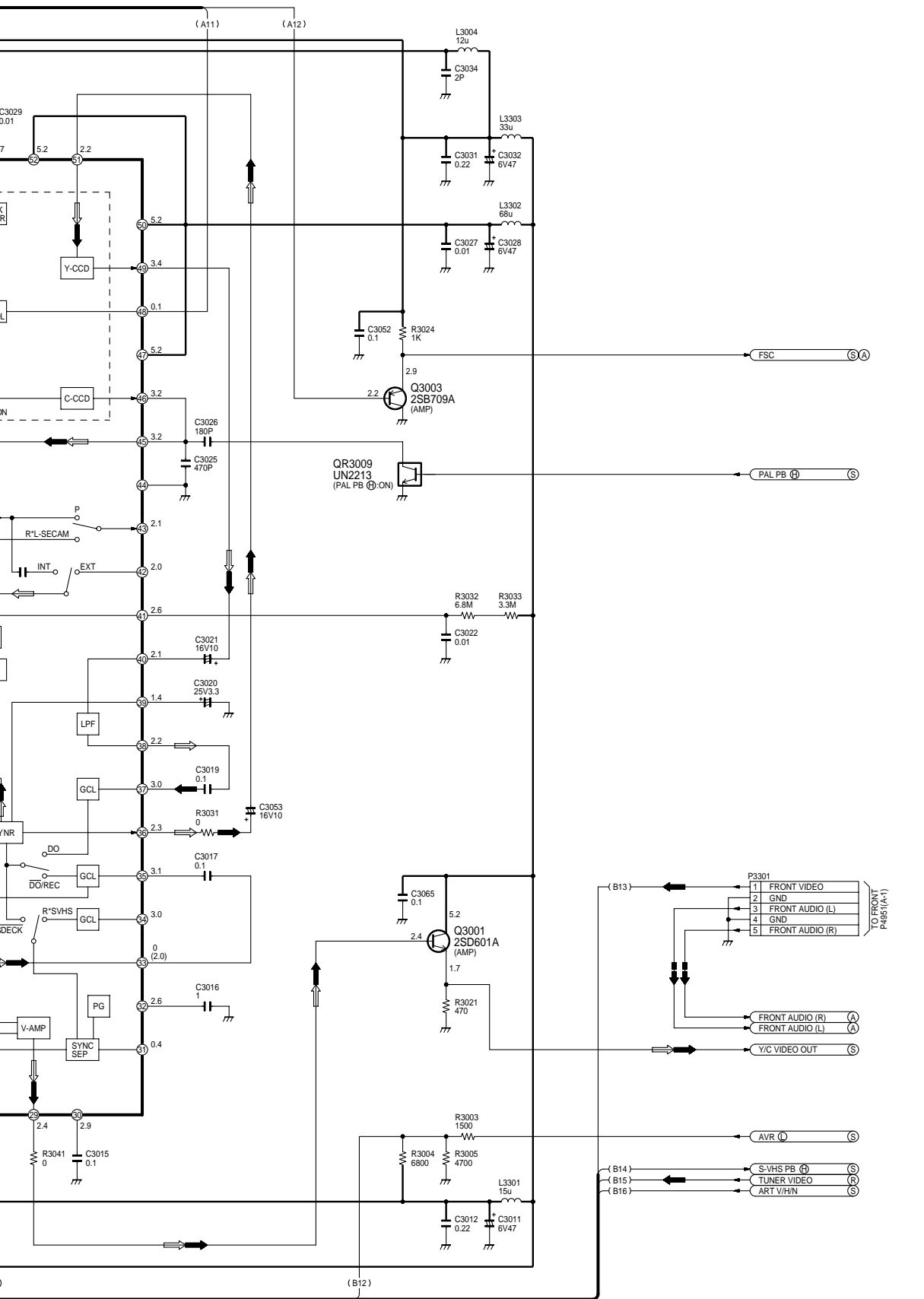
14

15

16

17

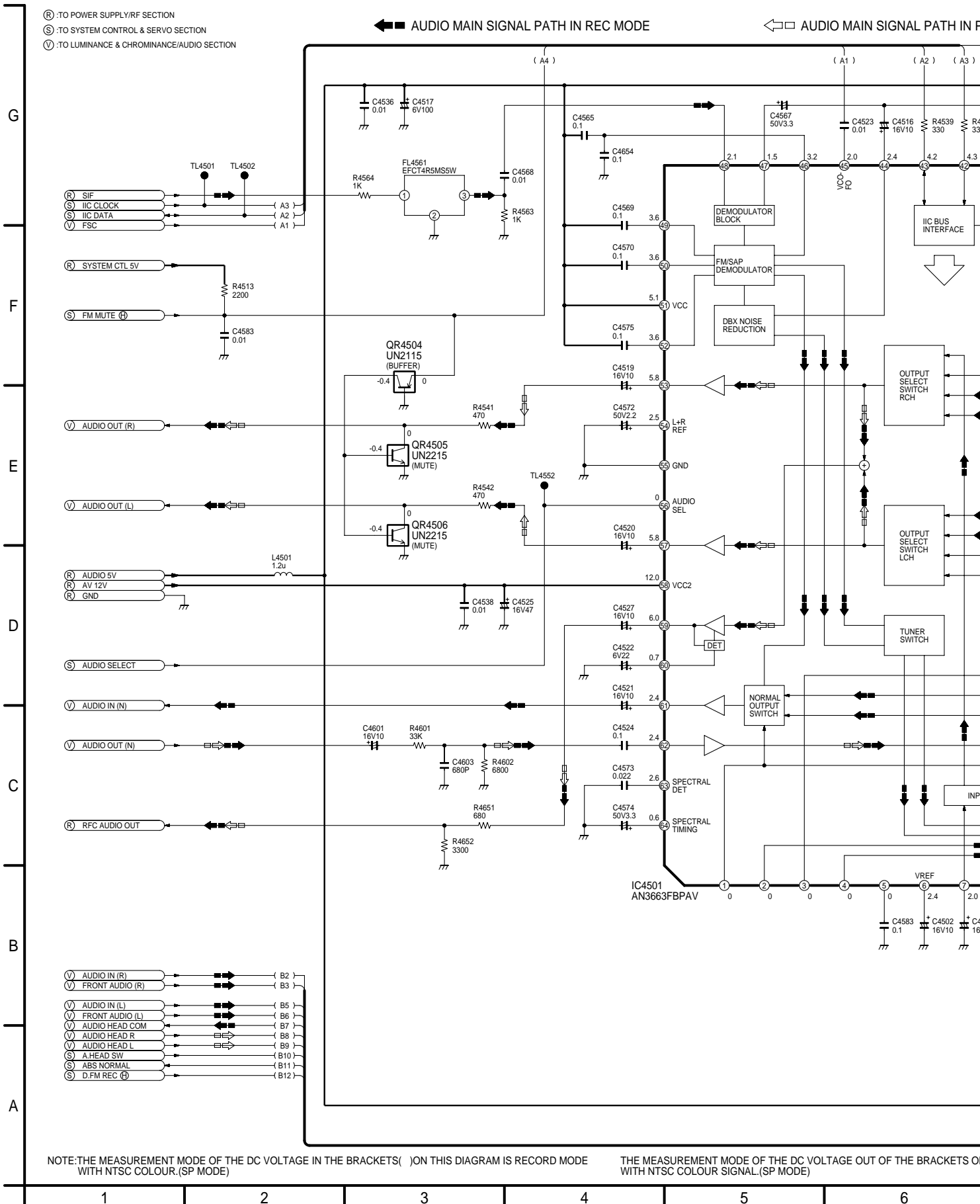
18



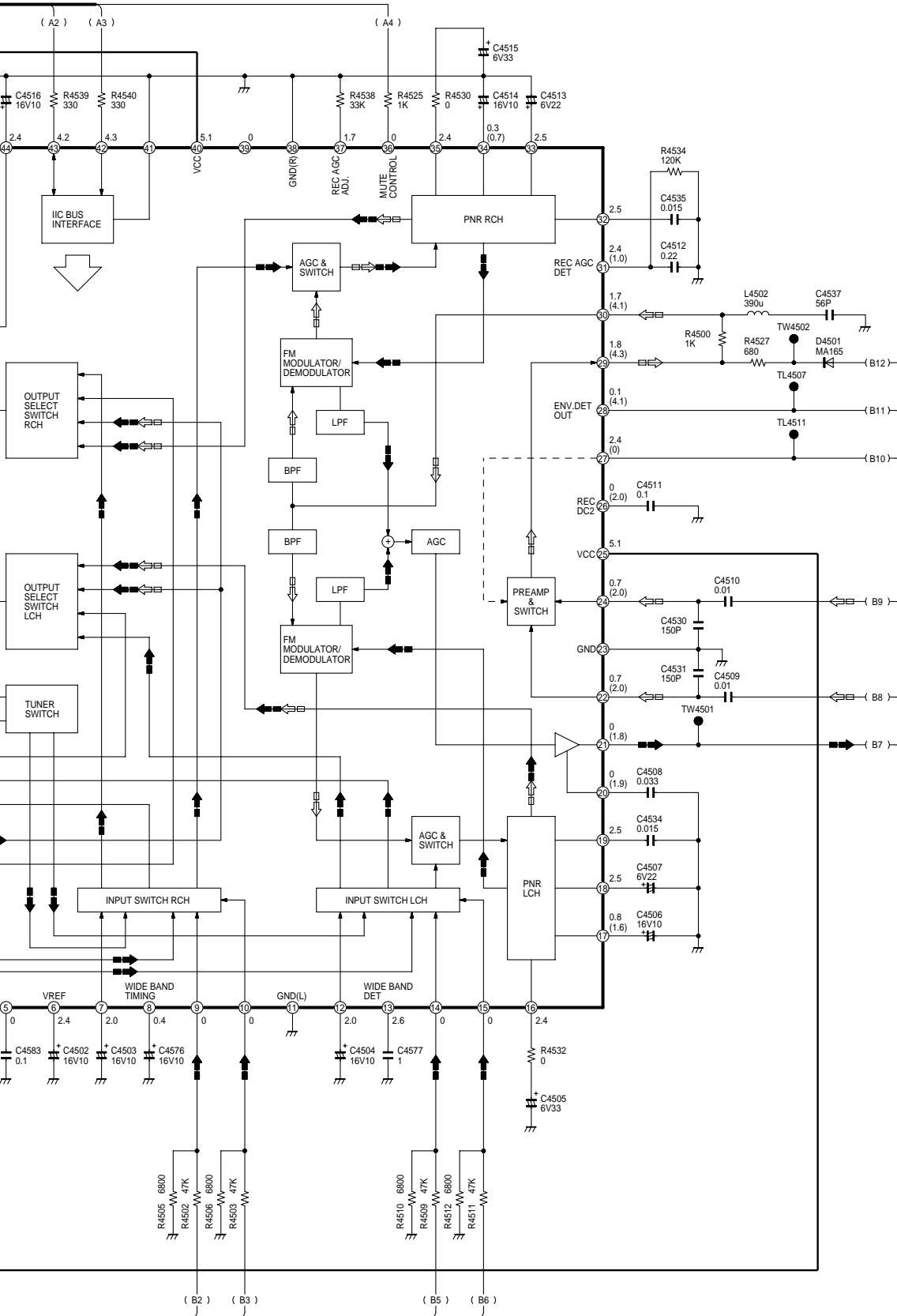
NOTE: DO NOT USE ANY PART NUMBER SHOWN ON THIS SCHEMATIC DIAGRAM FOR ORDERING. WHEN YOU ORDER A PART, PLEASE REFER TO PARTS LIST.

NV-HV60GR
LUMINANCE &
CHROMINANCE/
AUDIO SECTION
SCHEMATIC DIAGRAM

8.6. HI-FI AUDIO SECTION IN MAIN SCHEMATIC DIAGRAM



SIGNAL PATH IN PLAYBACK MODE



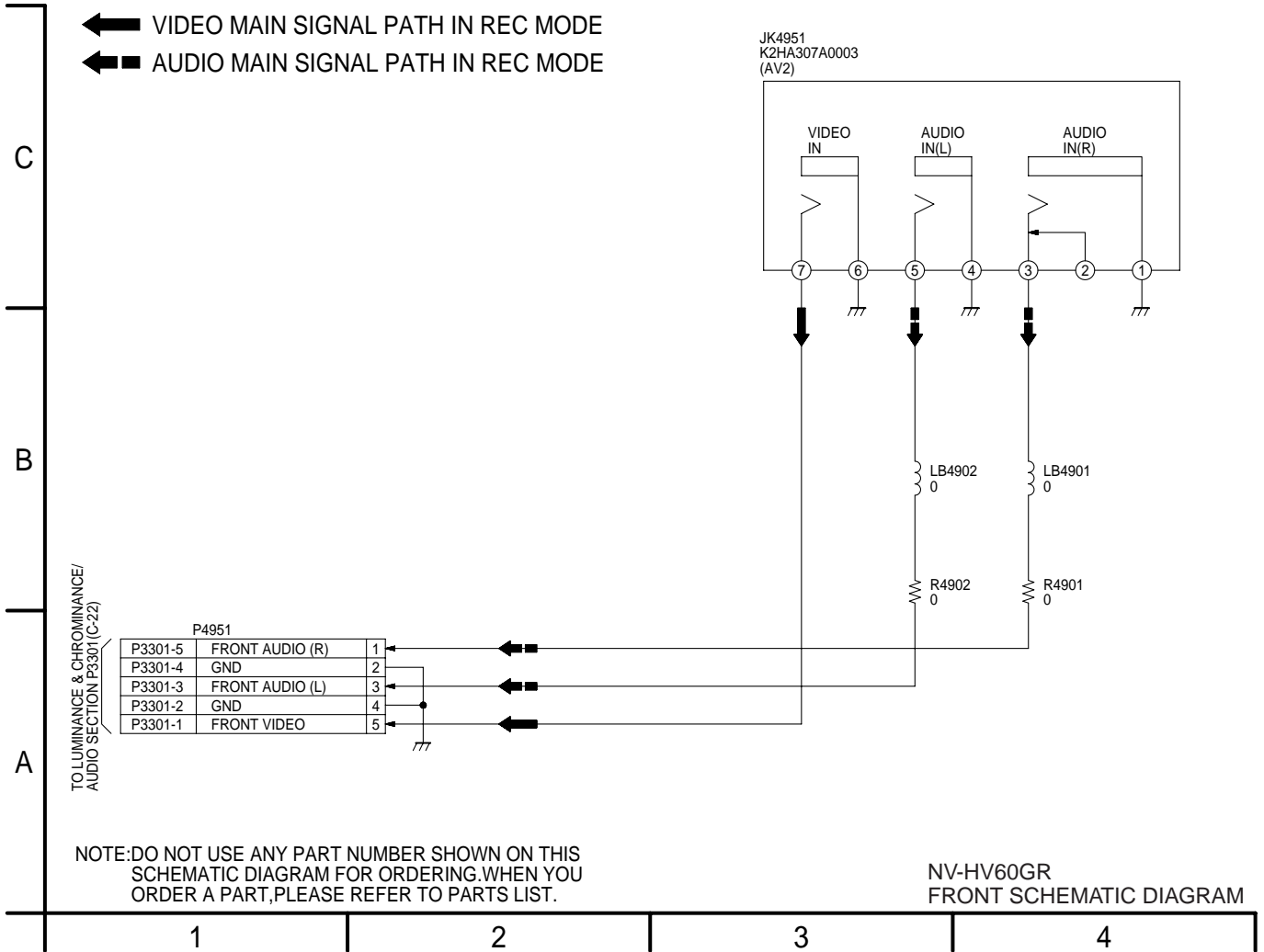
OF THE BRACKETS ON THIS DIAGRAM IS PLAYBACK MODE

NOTE: DO NOT USE ANY PART NUMBER SHOWN ON THIS SCHEMATIC DIAGRAM FOR ORDERING. WHEN YOU ORDER A PART, PLEASE REFER TO PARTS LIST.

NV-HV60GR
Hi-Fi AUDIO SECTION
SCHEMATIC DIAGRAM



8.7. FRONT SCHEMATIC DIAGRAM





RAM