

**R836**  
**High Performance**  
**DTV Silicon Tuner**  
**Datasheet**



Suite 808, Building 53, No.195, Sec.4, Chung Hsing Road, Chutung, HsinChu 310, Taiwan , R.O.C.

310 台灣新竹縣竹東鎮中興路四段 195 號 53 館 808 室

Tel: 886-3-5820868

Fax: 886-3-5820968

[www.rafaelmicro.com](http://www.rafaelmicro.com)

## Confidentiality Agreement

- The Reader of this document acknowledges that the information provided by Rafael Microelectronics Inc. in this material is confidential. A non-disclosure agreement (NDA) between the Reader and Rafael Microelectronics, Inc. is signed. Therefore, Reader agrees not to disclose it without the express written permission of Rafael Microelectronics, Inc.. The watermark and DCN (document control number) have been set to track and to control the confidentiality process. If the Reader has not signed NDA or not specified by watermark and DCN. You are inappropriate to read or use this material. Please return this material immediately to Rafael Microelectronics, Inc..
- It is acknowledged by Reader that information to furnished in this material is in all respects confidential and proprietary in nature, other than information which is in the public domain through other means and that any disclosure or use of same by Reader, may cause serious damage to Rafael Microelectronics Inc..
- This is classified as a Security A document which is prohibited to re-distribute under any circumstances except for prior written permission by Rafael Microelectronics Inc.. Any Other use of this document is strictly prohibited, and a violation of law. The Reader of this document acknowledges that Rafael Microelectronics Inc. reserves legal rights to claim all damages caused by Reader's inappropriate use of this material.
- Rafael Micro. and its logos are registered trademarks of Rafael Microelectronics, Inc..

## General Description

In heritage from Rafael Micro's state-of-the-art architecture, the R836 DTV silicon tuner, no need for external RF balun, can achieve best linearity with lowest power consumption. R836 offers unmatched RF performance for all digital broadcast television standards including DVB-T/T2/C, J.83B, ATSC, DTMB and ISDB-T/C. With innovative AccuTune™ and TrueRF™ mechanisms, R836 provides superior performance in sensitivity, linearity, adjacent channel immunity, and image rejection. The chip embeds a smart tracking filter and power detector to optimize different input channels and power scenarios as well as the spurious free dynamic range.

The R836 is a highly integrated silicon tuner that builds in low noise amplifier (LNA), mixer, fractional PLL, VGA, voltage regulator and tracking filter, eliminating the need for external SAW filters, LNA and RF Balun. High performance LNA, and small package enable R836 the perfect solution for both cost and performance sensitive applications.

With proprietary GreenRF techniques, R836 achieves both high performance and the lowest power consumption which

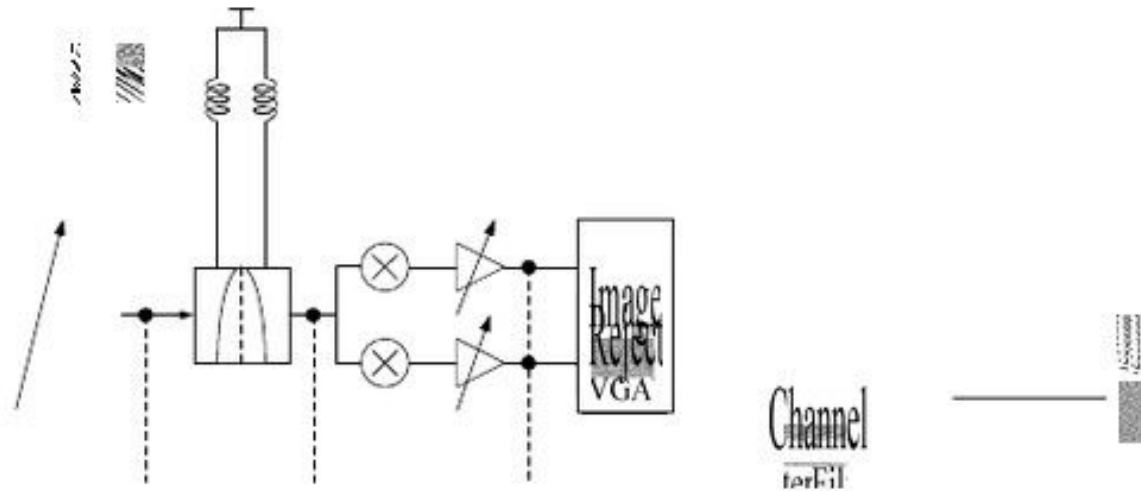
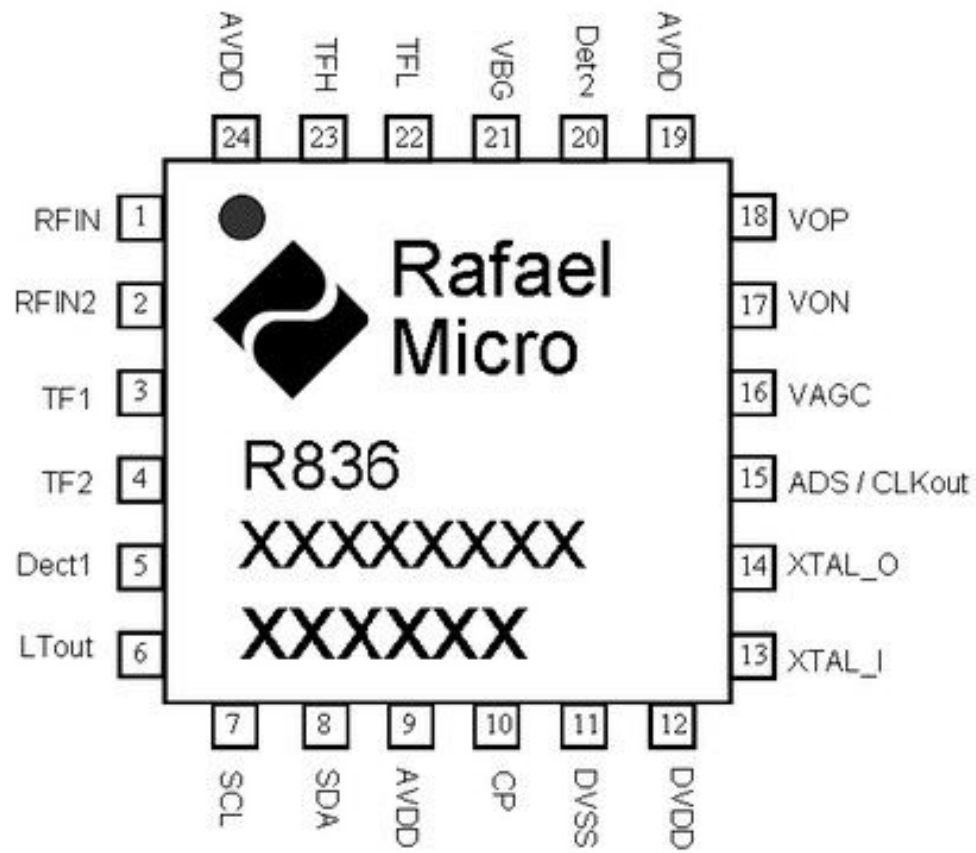
perfectly compliant with the worldwide trend. The R836 comes in a small and thin QFN RoHs compliant package.

## Features

- Worldwide digital TV tuner
  - DVB-T/T2/C, ISDB-T/C, DTMB, ATSC, J.83B
- Compliant with worldwide specifications
  - NorDig, D-BOOK, C-BOOK, ARIB, EN55020, OpenCable™
- All system channel support
  - 42MHz to 1002MHz
- Lowest BOM cost
  - No required SAW, external LNA and RF balun
- Low power consumption
  - 200mA when supply by Vcc=3.3V
- Crystal oscillator output buffer for single crystal application
- Best-in-class adjacent channel immunity in real-world to overcome all rigorous field environments.
- Standard I<sup>2</sup>C control interface

## Applications

- Terrestrial DTV (DVB-T/T2, DTMB, ISDB-T, ATSC)
- Cable DTV (DVB-C, J83B, ISDB-C).



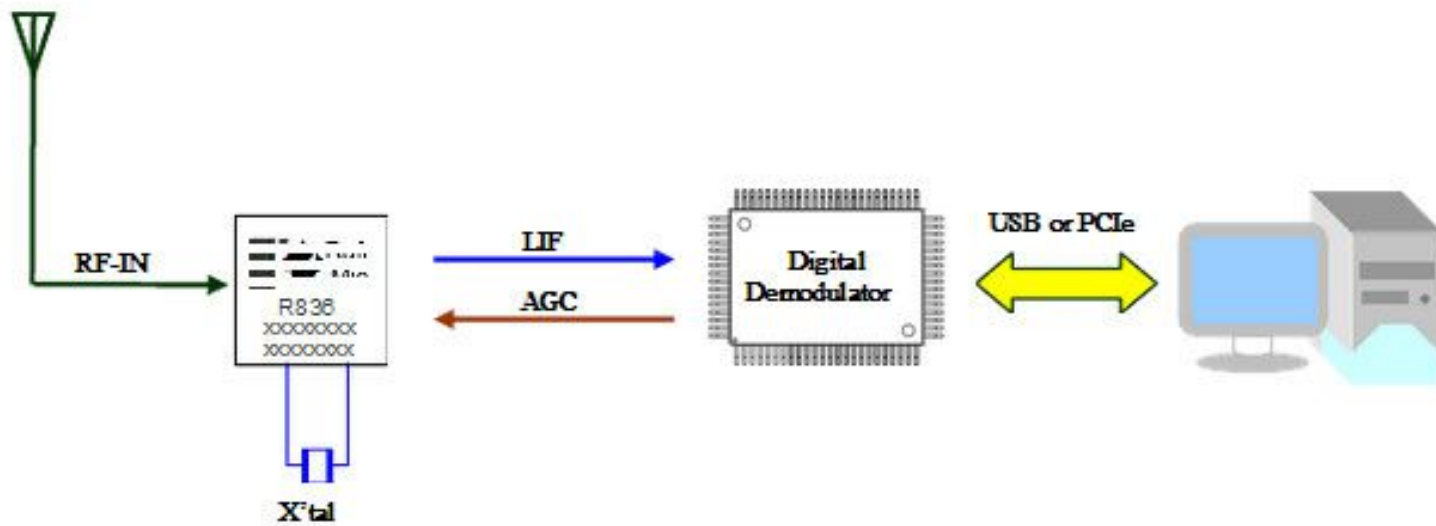
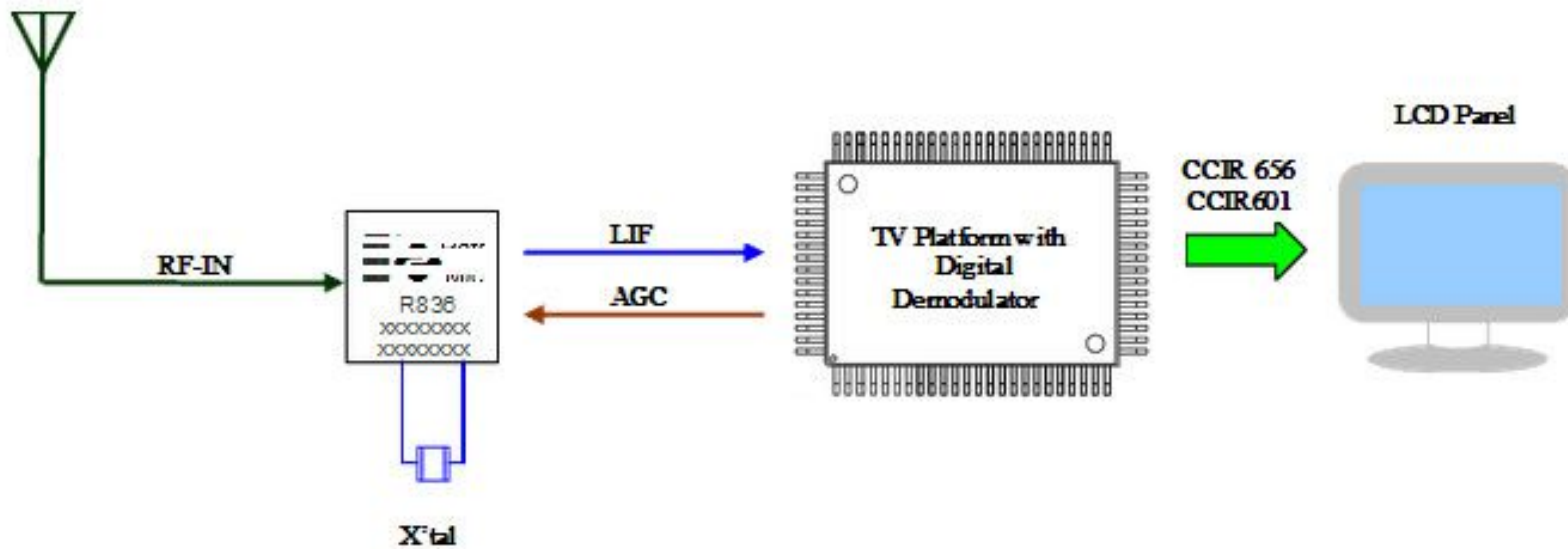


Figure B: Example of DTV Reception for LCD TV Applications



# Contents

General Description .....	3
Features .....	3
Applications .....	3
Functional Block Diagram .....	4
1 Specifications .....	7
1.1 Recommend Operation Condition .....	7
1.2 Absolute Maximum Ratings .....	7
1.3 DC Characteristics .....	7
1.4 ESD Immunity Abilities .....	7
1.5 Tuner AC Characteristics .....	8
3 Programming and Registers .....	11
3.1 I2C Series Programming Interface .....	11
4 Application Information .....	14
4.1 Application Circuit .....	14
4.2 IF Frequency .....	15
4.3 AGC Control .....	15
5 Package Dimensions and Outline .....	17
6 Top Marking .....	18
6.1 R836 Top Marking .....	18
6.2 Top Marking Explanation .....	18
7 Crystal Requirements .....	19

# 1 Specifications

## 1.1 Recommend Operation Condition

Parameter	Symbol	Min	Typ	Max	Units
Supply Voltage	$V_{CC}$	3	3.3	3.6	V
Address Select	AS	0		3.3	V
AGC Control	$V_{AGC}$	0		3.3	V

## 1.2 Absolute Maximum Ratings

Characteristic	Symbol	Min	Max	Units
Supply Voltage	$V_{CC}$	-0.3	3.6	V
I <sup>2</sup> C input voltage	$V_{I2C}$	-0.3	3.6	V
Operation Temperature	$T_{OP}$	0	85	°C
Storage Temperature	$T_{STG}$	-65	150	°C

### 1.3 DC Characteristics

Characteristic	Symbol	Min	Typ	Max	Units
Total Current Consumption <sup>1</sup>	I <sub>CC</sub>		200	220	mA
Stand-by current (LT on) <sup>12</sup>	I <sub>SB</sub>		33	40	mA
Power-down current <sup>1</sup>	I <sub>PD</sub>		10		mA
I/O High Level Input Voltage	V <sub>IH</sub>	1.7		3.6	V
I/O Low Level Input Voltage	V <sub>IL</sub>	0		1.3	V
I/O High Level Output Voltage	V <sub>OH</sub>	2.7		3.6	V
I/O Low Level Output Voltage	V <sub>OL</sub>	0		0.2	V

1. These data are measured under V<sub>CC</sub>=3.3V

2. stand-by current is measured under Loop through function is turned ON

### 1.4 ESD Immunity Abilities

Characteristic	Symbol	Min	Max	Units
ESD Protection (Charge Device Model)	CDM	200		V
ESD Protection (Human Body Model)(1)	HBM	2K		V
Latch-Up Immunity	LU	300		V

### 1.5 Tuner AC Characteristics

Parameters	Symbol	Condition	Units	Min	Typical	Max
System						
Input Return Loss	S11	All Gain	dB		-8	
Operation Frequency Range	f <sub>in</sub>		MHz	42		1002
Frequency Tuning Step	F <sub>step</sub>	16MHz Crystal	Hz		488.3	
Channel Bandwidth	BW		MHz		6,7,8	
Noise Figure	NF		dB		2.9	
Gain Control Range	AGC		dB		109	112
In-Band IIP3 <sup>1</sup>	IIP3 <sub>B</sub>	N±1 N±2	dBm	-14	-7	
Out-of-Band IIP3 <sup>1</sup>	IIP3 <sub>OOB</sub>	N±6 N±12	dBm	0	+8	



Image Rejection	IR		dBc		65	
Composite Triple Beat <sup>2</sup>	CTB	110 Channel at 75dBuV	dBc		-65	
Composite Second Order <sup>2</sup>	CSO		dBc		-65	
Multiple Crystal Frequency Spurious	$X_{spur}$	Refer to RF-In	dBm		-130	
Adjacent Channel Rejection	ACI N+1	DVB-T,64QAM,CR3/4	dBc		-46	
	DCI N+1	DVB-T,64QAM,CR:3/4	dBc		-42	
IF Output Level	IF <sub>OUT</sub>	Swing	Vp-p	0.7	1	1.5
		Impedence		Differential 2kΩ//5pF		
Loop-Through						
RF Frequency Range	$f_{LT}$		MHz	42		1002
LT Gain	$G_{LT}$		dB	1	2.2	3
Synthesizer						
PLL Locking time	$T_{PLL}$		ms			5
Phase Noise @ 860MHz (DTV mode)	PN <sub>LO</sub>	1K	dBc		-89	
		10K	dBc		-98	
		100K	dBc		-110	
Clock-output Swing	CLKout	Oscilloscope loading 11pF	mV		450	

1. Performed with RFAGC frozen at maximum LNA gain and minimum IF gain using 6MHz channel spacing. These values are measured at worst case frequencies.

## 2 Pin Description

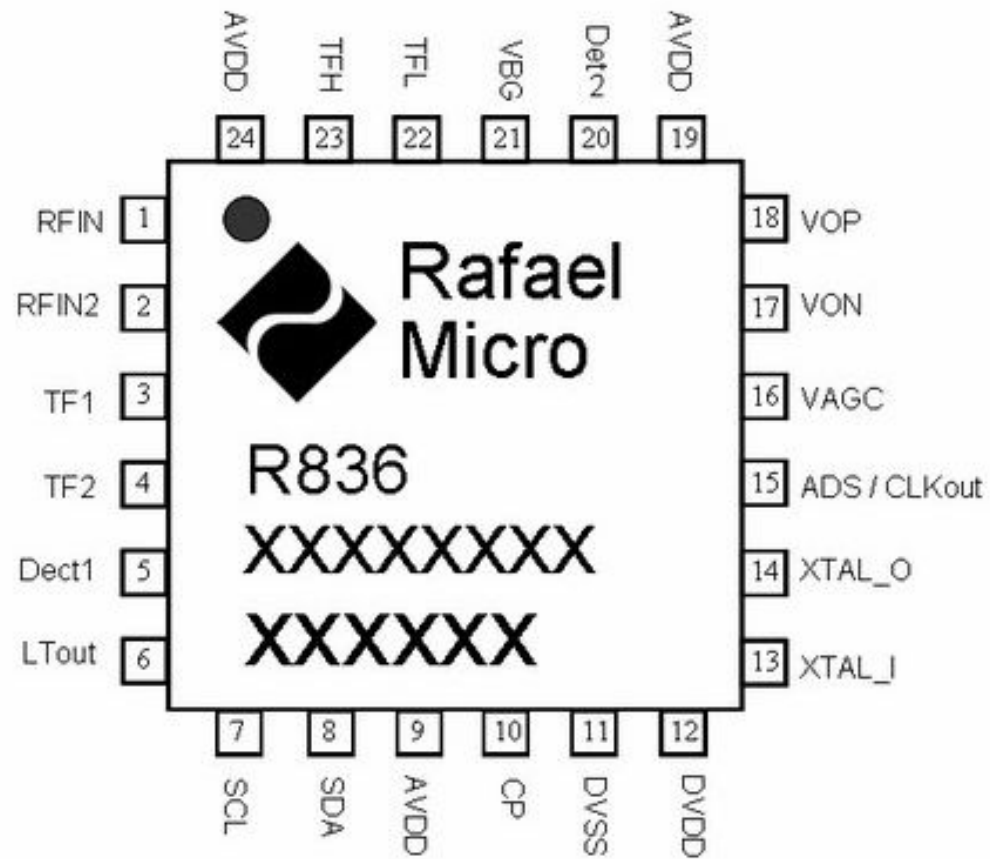


Figure 2-1 : Pin Allocation of R836 Silicon Tuner

Pin Number	Symbol	I/O	Description
1,2	RFIN, RFIN2	I	RF input
5,20	Detx	-	Power detector decoupling capacitor
3,4,22,23	TFxx	-	Tracking filter pin out
6	LTout	O	Loop Through output
7	SCL	I	I2C bus, clock input
8	SDA	I/O	I2C bus, data input/ output
9	AVDD	S	AVDD for PLL
10	CP	-	PLL Charge Pump decouple
11	DVSS	S	Digital Ground
12	DVDD	S	Digital 3.3V Supply
13	XTAL_I	I	Crystal Driver Input
14	XTAL_O	I	Crystal Driver Output
15	ADS / CLKout	I/O	Address pin or Clock buffer output
16	VAGC	I	IF automatic gain control input
17,18	VOP, VON	O	Differential IF output
19	AVDD	S	Analog 3.3V supply
21	VBG	-	Internal 1.2V decouple
24	AVDD	S	RF 3.3V Supply

(note: E-Pad is GND)

# 3 Programming and Registers

## 3.1 I2C Series Programming Interface

The programmable features of the R836 are accessible through an I<sup>2</sup>C compatible serial interface. Bi-directional data transfers are programmed through the serial clock (SCL) and serial data lines (SDA) at a standard clock rate of 100 KHz and up to 400KHz.

### Data Transfer Logic

The I<sup>2</sup>C control byte includes a fixed 7-bit slave address ID and a read/write (R/W) bit. Fixed slave address ID is 0x34 or 0x74, according to Pin15 connection. R836 I2C address is 0x34 while Pin15 connecting to GND; address is 0x74 while Pin15 floating. The R/W bit is set 0 for write and 1 for read. Write mode and read mode will be further explained in the following sections.

### I<sup>2</sup>C Write/Read Address

Table 3-1 : I<sup>2</sup>C Write Address

Mode	I <sup>2</sup> C Address(Bin)							R/W	Address (Hex)
	MSB							LSB	
Write	0	0/1	1	1	0	1	0	0	0x34 or 0x74
Read	0	0/1	1	1	0	1	0	1	0x35 or 0x75

## Write Mode

When the slave address matches the I<sup>2</sup>C device ID with write control bit, I<sup>2</sup>C start interprets the following first byte as first written register address. These following bytes are all the register data (page write I<sup>2</sup>C control). Register 0, 1 and 2 are reserved for internal use only and can be written by I<sup>2</sup>C write command.

Figure 3-1 : The Typical Write Mode Sequence

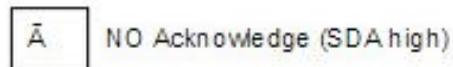
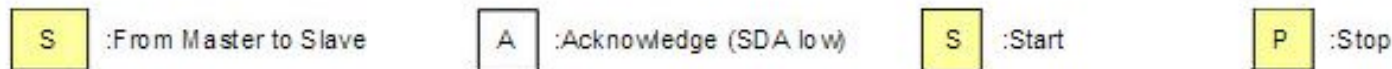
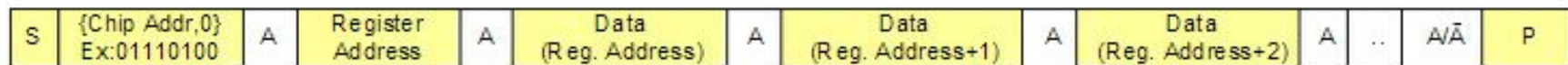
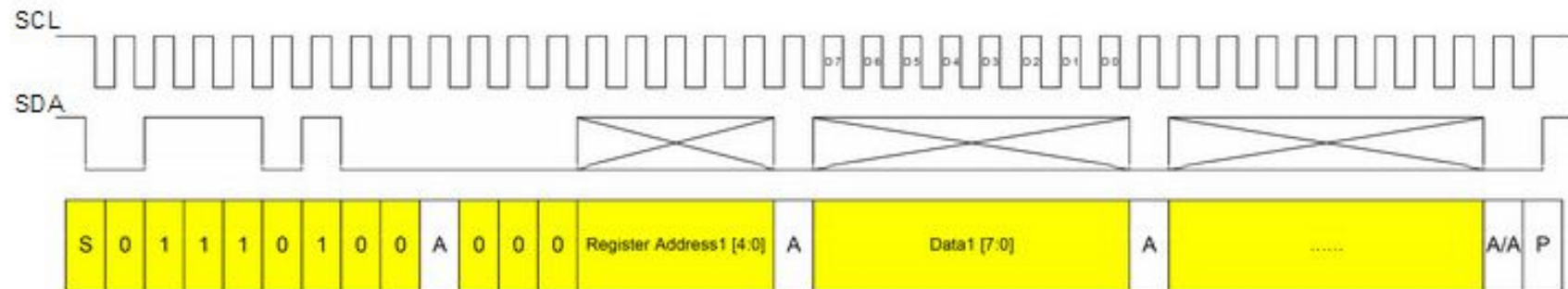


Figure 3-2 : An Example of Write Mode Procedure



## Read Mode

When the slave address matches the I<sup>2</sup>C device ID with read control bit, data are immediately transferred after ack command. Reading data transmission begins from core register 0 to final register until "P"(Stop) occurs. The data is transmitted from LSB to MSB, and the data of register 0, which is 0x96, is fixed as reference check point for read mode.

Figure 3-3 : The Typical Read Mode Sequence

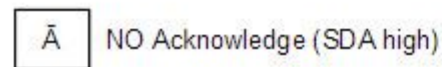
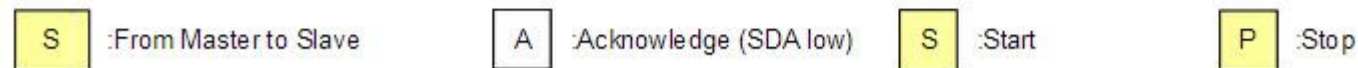
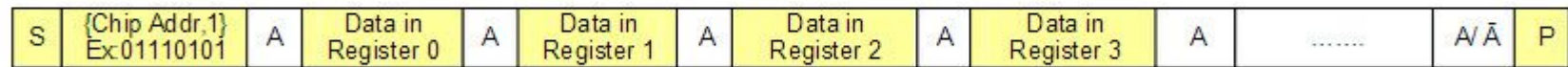
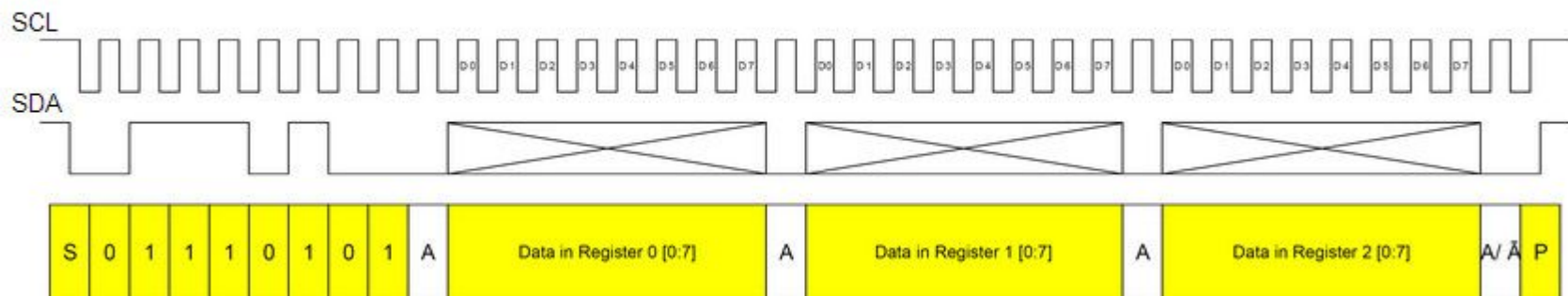


Figure 3-4 : An Example of Read Mode Procedure



# 4 Application Information

## 4.1 Application Circuit

Please contact Rafael Micro System Integration Engineering for the detailed application circuit and BOM list. For different system applications, Rafael Micro provides customized engineering services for the reference design, RF layout, Gerber file and even the PCB review. These engineering services are recognized as a great value to shorten time to market cycle.

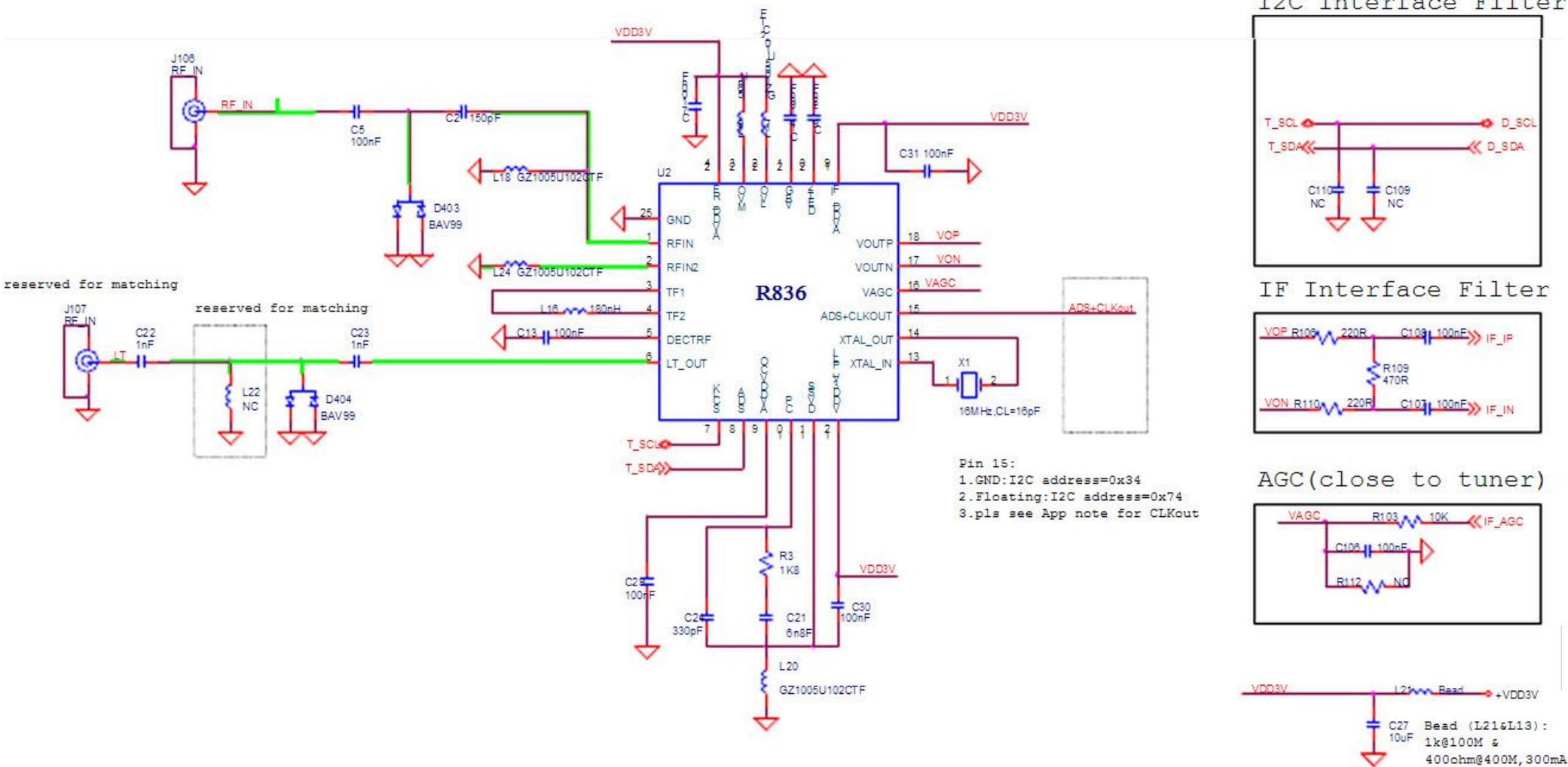


Figure 4-1 : R836 reference schematic

## 4.2 IF Frequency

R836 down-converts the RF signal to a low-IF frequency. The low-IF frequencies for different standards are shown in Table 4-1.

Table 4-1: IF Frequency Table

	TV Standard	Channel BW	Video / Center
1	ATSC	BW = 6MHz	Fcenter= 5.07 MHz
2	DVB-T/T2 6M	BW = 6MHz	Fcenter= 4.57 MHz
3	DVB-T/T2 7M	BW = 7MHz	Fcenter= 4.57 MHz
4	DVB-T/T2 8M	BW = 8MHz	Fcenter= 4.57 MHz
5	DVB-C 6M	BW = 6MHz	Fcenter= 5.07 MHz
6	DVB-C 8M	BW = 8MHz	Fcenter= 5.07 MHz
7	ISDB-T	BW = 6MHz	Fcenter= 4.063 MHz
8	DTMB	BW = 8MHz	Fcenter= 4.57 MHz
9	DVB-T2 1.7M	BW = 1.7MHz	Fcenter= 1.90 MHz
10	DVB-T2 10M	BW = 10MHz	Fcenter= 5.60 MHz

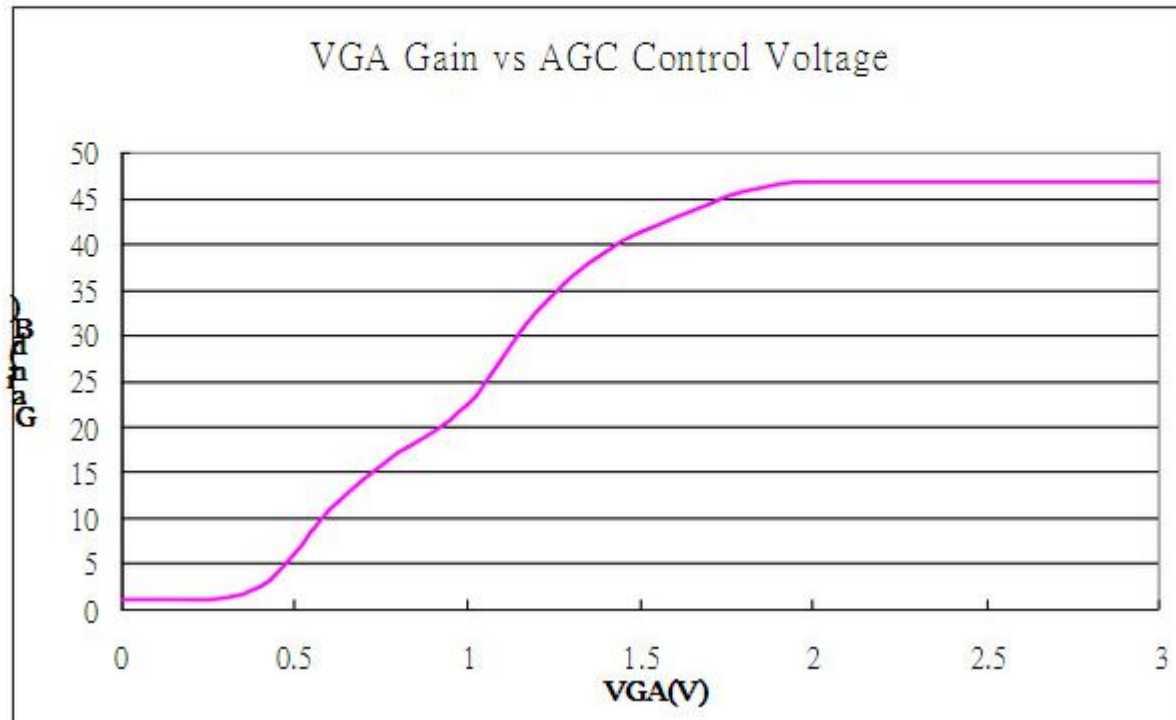
## 4.3 AGC Control

The R836 has built-in RFAGC to achieve the optimal SNR while minimizing distortion. When RF input power increases, the internal power detector is activated to attenuate internal LNA gain to an optimal level. On the other hand, when RF input power decreases, internal power detector will increase internal LNA gain to achieve good picture quality.

The IF amplifier and IFAGC pin are available for controlling by demodulators. R836 provides a wide range of IF amplifier gain from +1dB to +47dB. And the corresponding IFAGC voltage range is from 0.3V to 2V. The relationship between IF amplifier gain and input voltage is shown in figure 4-2.



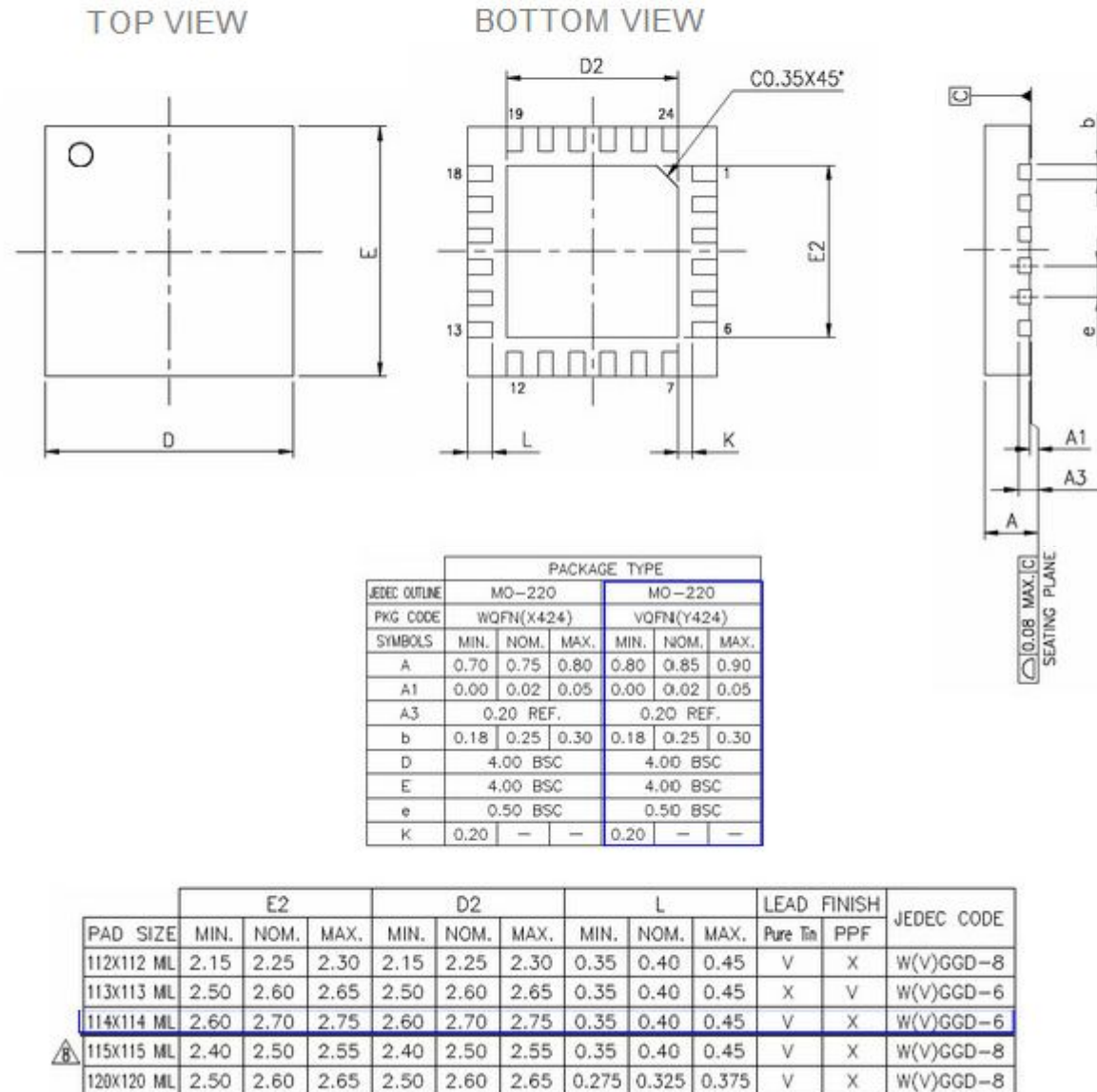
Figure 4-2 : VGA Gain vs AGC control Voltage



## 5 Package Dimensions and Outline

The R836 is packaged by a Lead-Free 4x4 24-pin Quad Flat No-Lead (QFN) package. The detail package dimensions are listed in Figure 5-1.

Figure 5-1 : R836 Package Dimensions and Outline




Note:

Before soldering to system board, R836 need to be baked at 125°C for more than 8 hours to eliminate moisture contamination.

## 6 Top Marking

### 6.1 R836 Top Marking



R	a	f	a	e	l
M	i	c	r	o	

R	8	3	6
---	---	---	---


  
  

X	X	X	X	X	X	X	X
---	---	---	---	---	---	---	---

Y	Y	W	W	X	X
---	---	---	---	---	---

## 6.2 Top Marking Explanation

Mark Method	Laser	
Font Size:	Logo : 3.1X1.3mm Device Number : 0.45X0.3mm Mfg Code& Date Code : 0.45X0.3mm	
Line 1 Marking	Circle=0.3 mm Diameter (Top-left justified)	Pin 1 identifier
Line 2 Marking	Rafael Micro Logo	 Rafael Micro
Line 3 Marking	Device Number	R836
Line 4 Marking	(1) XXXXXXXX = Mfg Code	Manufacturing Code from the Assembly Purchase Order form. By Assembly have different Manufacturing code
Line 5 Marking	YYWWXX YY = Year WW = Work Week XX= Control Code	Assigned by the Assembly House. Corresponds to the year and work week of the mold date. Rafael Micro internal control code.

## 7 Crystal Requirements

The crystal frequency for R836 is 16 MHz. The R836 is well accompanied with traditional DIP package crystal. To reduce component count and font factor, a low profile SMD package crystal is recommended.

Table 7-1 : Crystal Specifications

Parameter	Min	Typical	Max	Units
Frequency Range	-	16	-	MHz
ESR			50	$\Omega$
Frequency accuracy		$\pm 30$	$\pm 50$	ppm
Load Capacitor (CL)	-	16	-	pF
Input level to XTAL_P pin when using external clock	120		3300	mVp-p

## Ordering Information

Part Number	Description	Package Type
R836	High Performance Digital TV Silicon Tuner	QFN4x4-24

### **Contact Information :**

Suite 808, Building 53, No. 195, Sec. 4, Chung Hsing Road

Chutung, HsinChu 310, Taiwan, R.O.C.

Tel: 886-3-5820868 Fax: 886-3-5820968

Sales (Taiwan): 886-3-5820868 ext. 211

Sales (China): 86-1360-2679953

Application Engineering : 886-3-5820868 exclt. 238

[www.rafaelmicro.com](http://www.rafaelmicro.com)

[marshall.lee@rafaelmicro.com](mailto:marshall.lee@rafaelmicro.com)

[jaff.wu@rafaelmicro.com](mailto:jaff.wu@rafaelmicro.com)

[cliff.huang@rafaelmicro.com](mailto:cliff.huang@rafaelmicro.com)

## Revision History

Revision	Description	Owner	Date
1.0	First release	Cliff Huang	2013/06/11
1.1	Add TOP Marking in chap 6	Jason Wang	2013/06/18

## Revision History

Revision	Description	Owner	Date
1.0	First release	Cliff Huang	2013/06/11
1.1	Add TOP Marking in chap 6	Jason Wang	2013/06/18

© 2013 by Rafael Microelectronics, Inc.

All Rights Reserved.

Information in this document is provided in connection with **Rafael Microelectronics, Inc.** ("**Rafael Micro**") products. These materials are provided by **Rafael Micro** as a service to its customers and may be used for informational purposes only. **Rafael Micro** assumes no responsibility for errors or omissions in these materials. **Rafael Micro** may make changes to this document at any time, without notice. **Rafael Micro** advises all customers to ensure that they have the latest version of this document and to verify, before placing orders, that information being relied on is current and complete. **Rafael Micro** makes no commitment to update the information and shall have no responsibility whatsoever for conflicts or incompatibilities arising from future changes to its specifications and product descriptions.

THESE MATERIALS ARE PROVIDED "AS IS" WITHOUT WARRANTY OF ANY KIND, EITHER EXPRESS OR IMPLIED, RELATING TO SALE AND/OR USE OF **RAFAEL MICRO** PRODUCTS INCLUDING LIABILITY OR WARRANTIES RELATING TO FITNESS FOR A PARTICULAR PURPOSE, CONSEQUENTIAL OR INCIDENTAL DAMAGES, MERCHANTABILITY, OR INFRINGEMENT OF ANY PATENT, COPYRIGHT OR OTHER INTELLECTUAL PROPERTY RIGHT. **RAFAEL MICRO** FURTHER DOES NOT WARRANT THE ACCURACY OR COMPLETENESS OF THE INFORMATION, TEXT, GRAPHICS OR OTHER ITEMS CONTAINED WITHIN THESE MATERIALS. **RAFAEL MICRO** SHALL NOT BE LIABLE FOR ANY SPECIAL, INDIRECT, INCIDENTAL, OR CONSEQUENTIAL DAMAGES, INCLUDING WITHOUT LIMITATION, LOST REVENUES OR LOST PROFITS, WHICH MAY RESULT FROM THE USE OF THESE MATERIALS.

**Rafael Micro** products are not intended for use in medical, lifesaving or life-sustaining applications. **Rafael Micro** customers using or selling **Rafael Micro** products for use in such applications do so at their own risk and agree to fully indemnify **Rafael Micro** for any damages resulting from such improper use or sale. **Rafael Micro**, logos and R836 are Trademarks of **Rafael Microelectronics, Inc.** Product names or services listed in this publication are for identification purposes only, and may be trademarks of third parties. Third-party brands and names are the property of their respective owners.

Information in this document is provided in connection with **Rafael Microelectronics, Inc.** ("Rafael Micro") products. These materials are provided by **Rafael Micro** as a service to its customers and may be used for informational purposes only. **Rafael Micro** assumes no responsibility for errors or omissions in these materials. **Rafael Micro** may make changes to this document at any time, without notice. **Rafael Micro** advises all customers to ensure that they have the latest version of this document and to verify, before placing orders, that information being relied on is current and complete. **Rafael Micro** makes no commitment to update the information and shall have no responsibility whatsoever for conflicts or incompatibilities arising from future changes to its specifications and product descriptions.

THESE MATERIALS ARE PROVIDED "AS IS" WITHOUT WARRANTY OF ANY KIND, EITHER EXPRESS OR IMPLIED, RELATING TO SALE AND/OR USE OF **RAFAEL MICRO** PRODUCTS INCLUDING LIABILITY OR WARRANTIES RELATING TO FITNESS FOR A PARTICULAR PURPOSE, CONSEQUENTIAL OR INCIDENTAL DAMAGES, MERCHANTABILITY, OR INFRINGEMENT OF ANY PATENT, COPYRIGHT OR OTHER INTELLECTUAL PROPERTY RIGHT. **RAFAEL MICRO** FURTHER DOES NOT WARRANT THE ACCURACY OR COMPLETENESS OF THE INFORMATION, TEXT, GRAPHICS OR OTHER ITEMS CONTAINED WITHIN THESE MATERIALS. **RAFAEL MICRO** SHALL NOT BE LIABLE FOR ANY SPECIAL, INDIRECT, INCIDENTAL, OR CONSEQUENTIAL DAMAGES, INCLUDING WITHOUT LIMITATION, LOST REVENUES OR LOST PROFITS, WHICH MAY RESULT FROM THE USE OF THESE MATERIALS.

**Rafael Micro** products are not intended for use in medical, lifesaving or life sustaining applications. **Rafael Micro** customers using or selling **Rafael Micro** products for use in such applications do so at their own risk and agree to fully indemnify **Rafael Micro** for any damages resulting from such improper use or sale. **Rafael Micro, logos and R836** are **Trademarks** of **Rafael Microelectronics, Inc.** Product names or services listed in this publication are for identification purposes only, and may be trademarks of third parties. Third-party brands and names are the property of their respective owners.



Suite 808, Building 53, No.195, Sec.4, Chung Hsing Road, Chutung, HsinChu 310, Taiwan, R.O.C.

310 台灣新竹縣竹東鎮中興路四段 195 號 53 館 808 室

Tel: 886-3-5820868

Fax: 886-3-5820968

[www.rafaelmicro.com](http://www.rafaelmicro.com)

**CONFIDENTIAL** © 2013 by Rafael Microelectronics, Inc. All rights reserved.