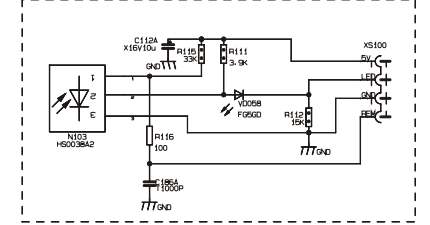
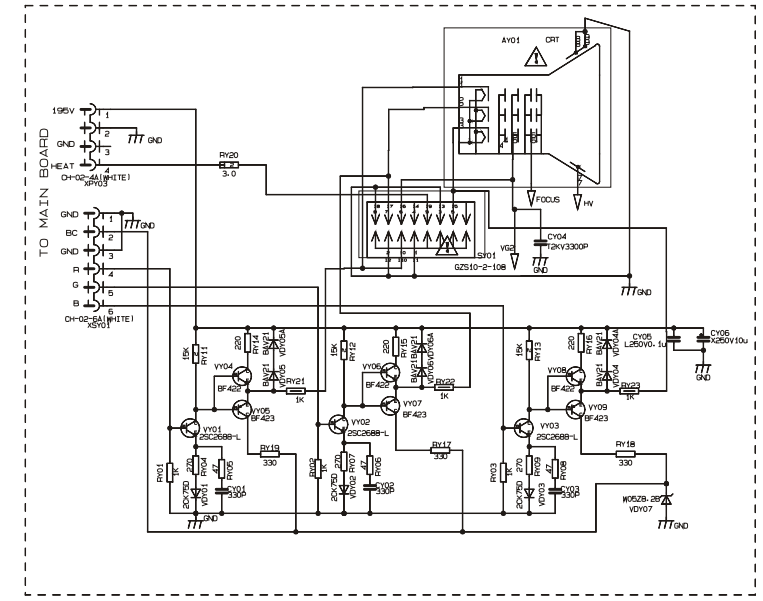
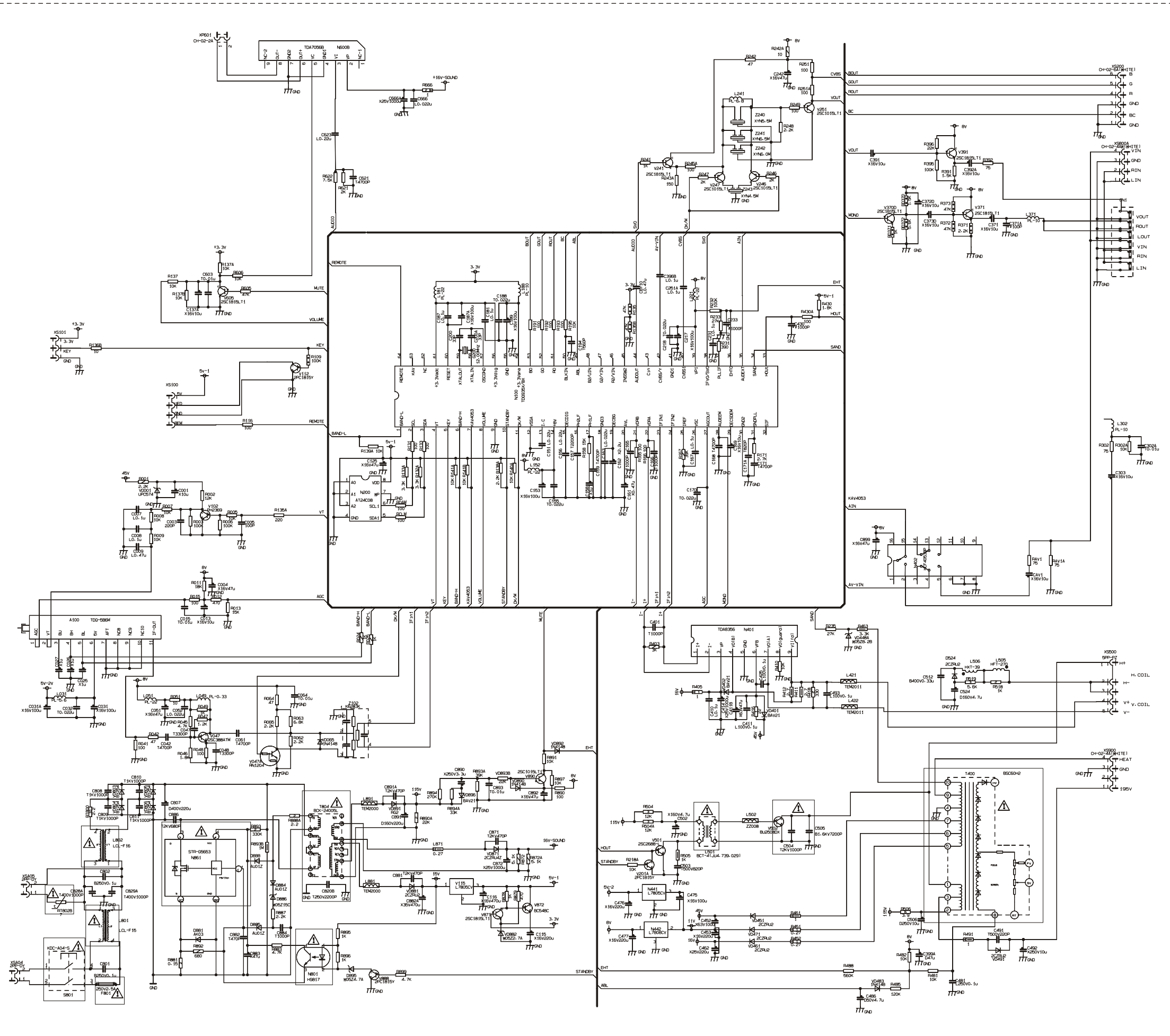
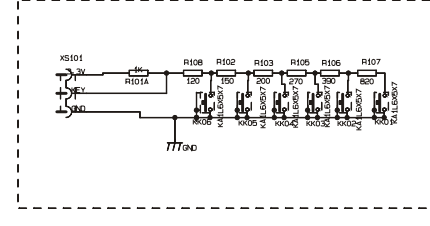


CIRCUIT DIAGRAM FOR 14C13



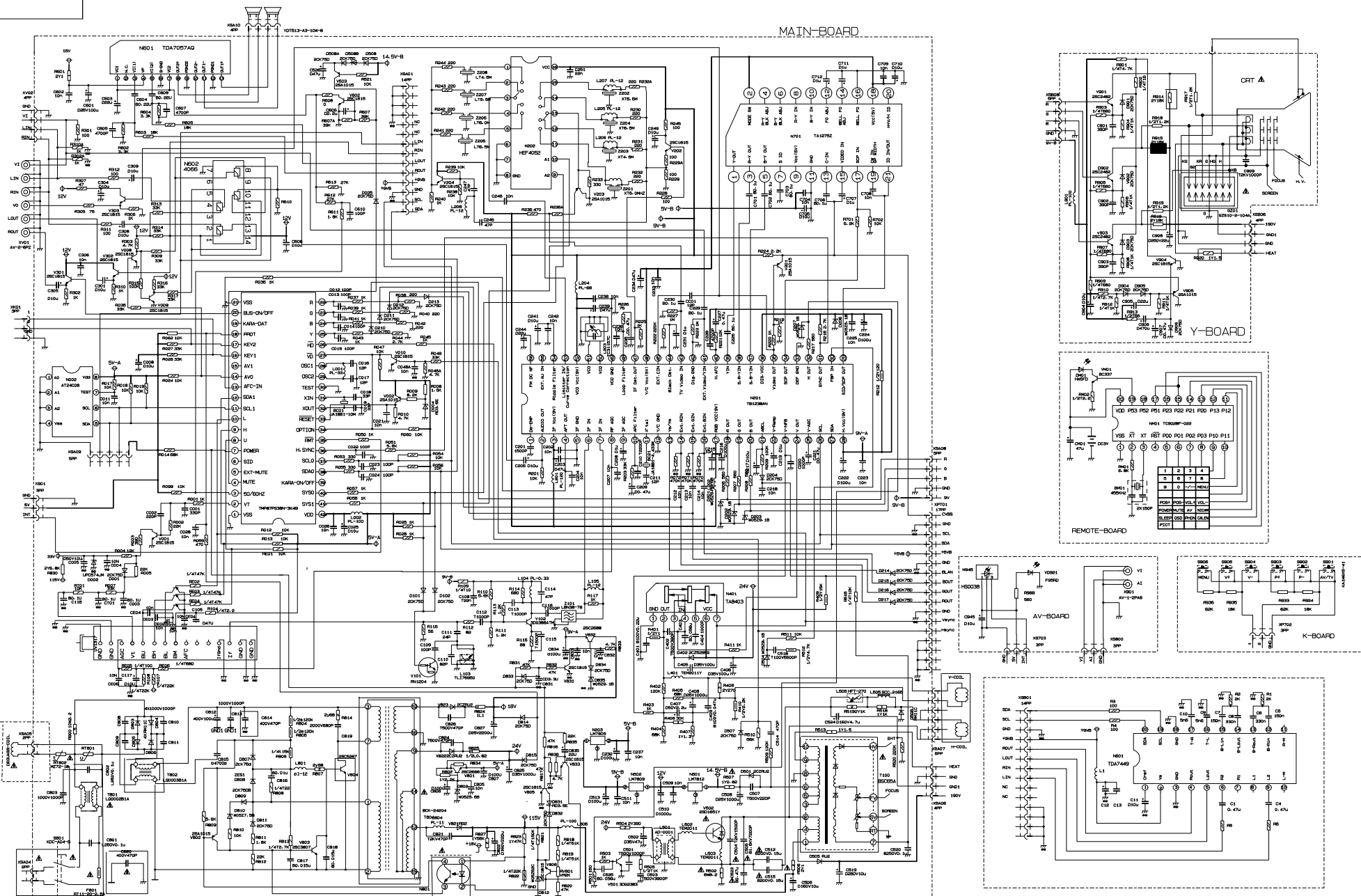
REMOTE BOARD



KEY BOARD

- 1 Components having special safety-related characteristics are identified by marking "A". Always be certain that the specified replacement parts are used.
- 2 Heat grounding # Cold grounding
- 3 See Replacement Part List for Components specifications.

MAIN-BOARD



This circuit diagram is only for reference. Specification are subject to change without notice.

1. Any components identified by Δ have special safety-related characteristics. Use replacement components which have the same characteristics as the original parts.

DESIGNER	CIRCUIT DIAGRAM
DATE	03
MANAGER	37CTV3150/54CTV3152