

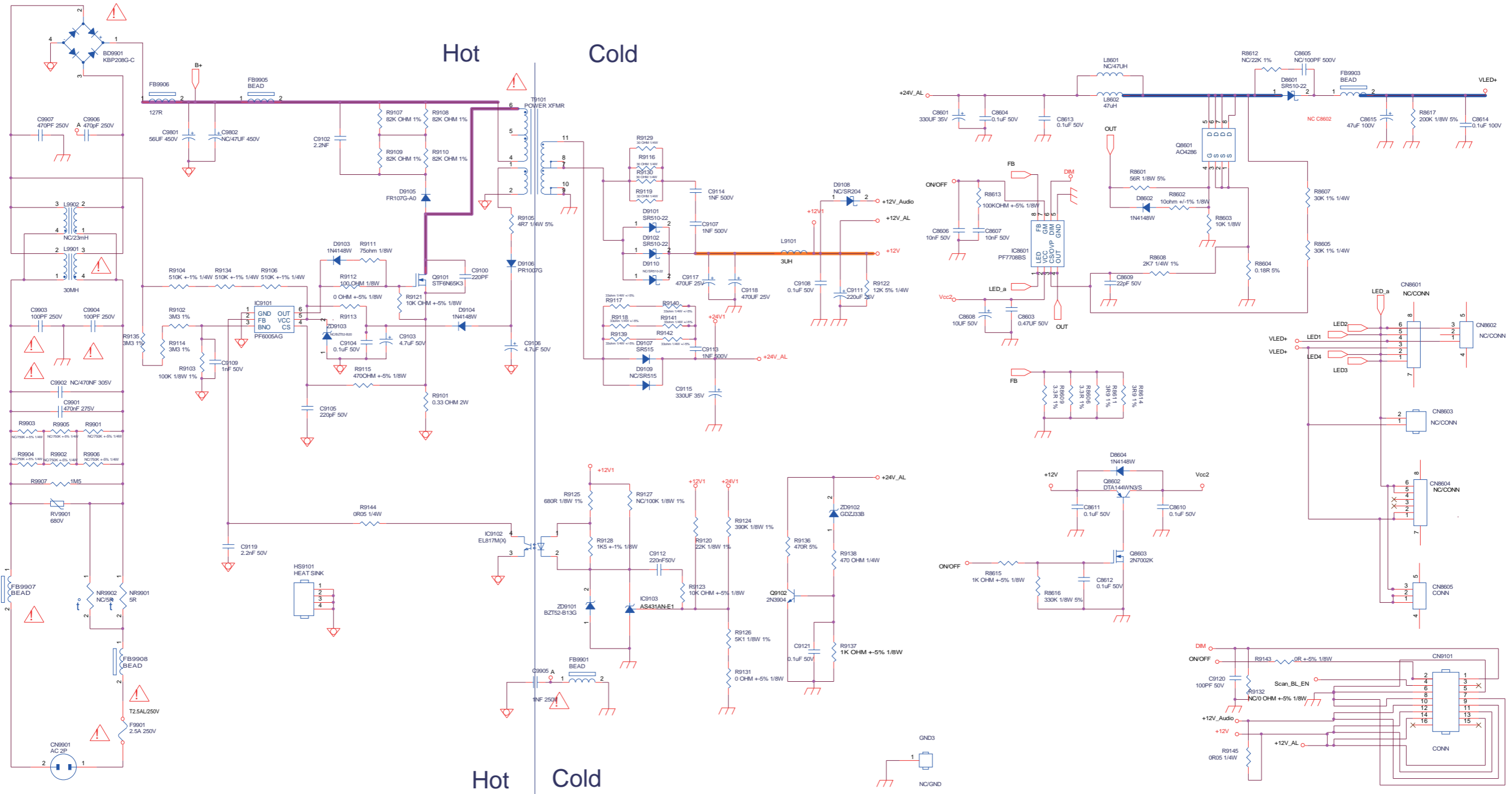
10. Circuit Diagrams and PWB Layouts

10.1 A 715G7735 PSU

10-1-1 Power

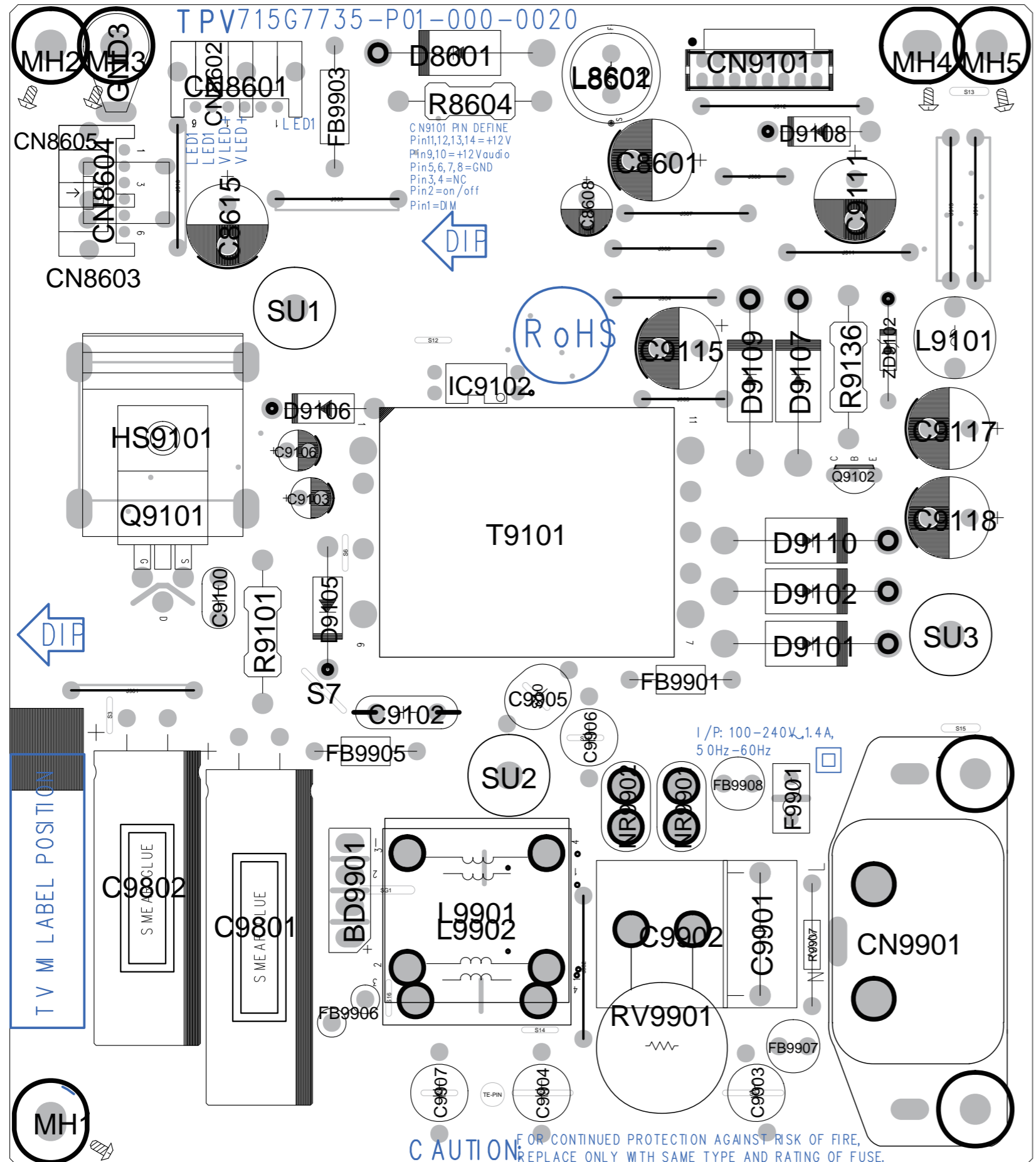
A01 POWER

A01



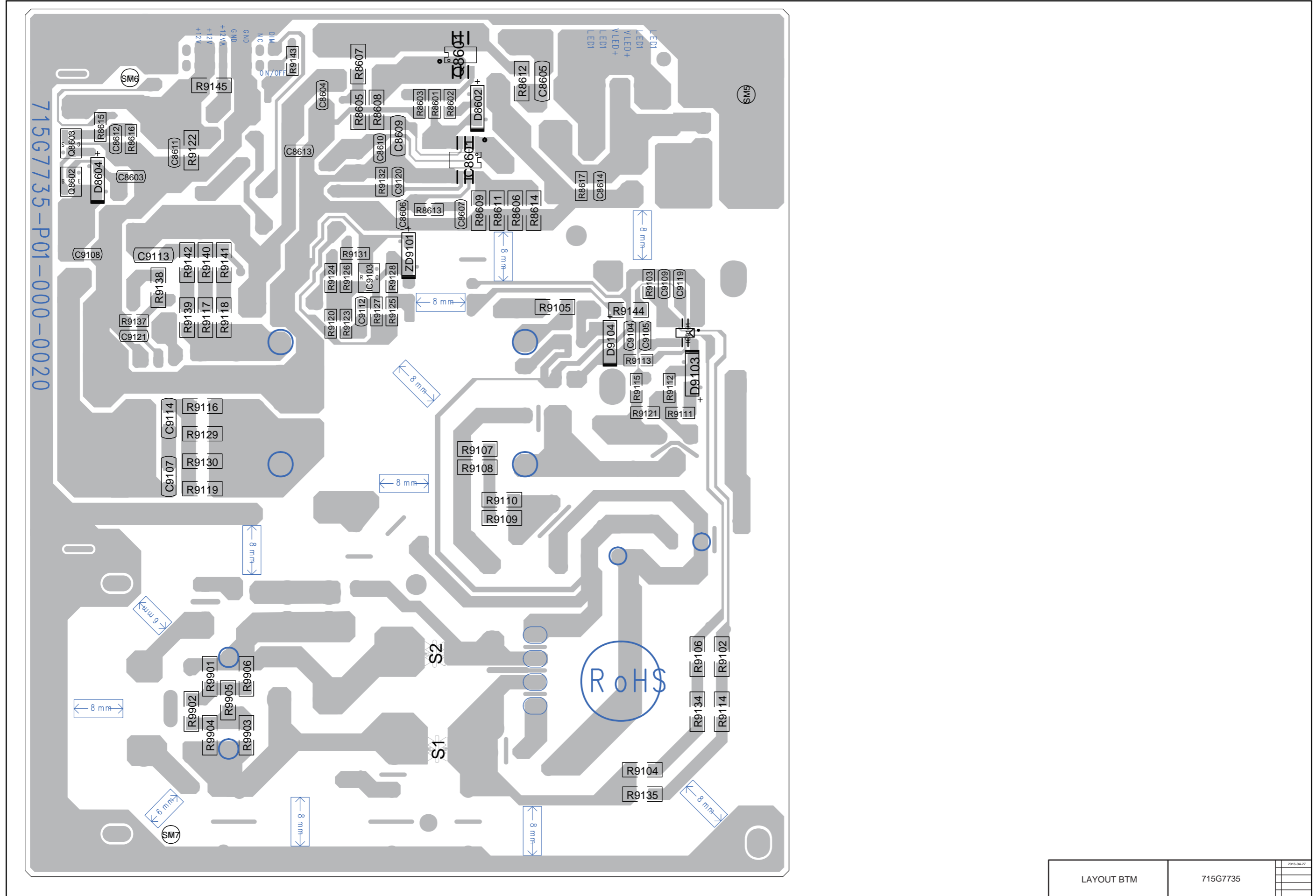
POWER	715G7735	3	2016-04-28

10-1-2 Power layout top



LAYOUT TOP	715G7735	2016-04-27

10-1-3 Power layout bottom



LAYOUT BTM	715G7735	2016-04-27