

# TV Samsung UE32D4000NW

**POWER SUPPLY**  
**BN 44-00421A**  
**PD32A0\_BSM**  
**PSLF800A03A**  
**PCB REV 1.3**

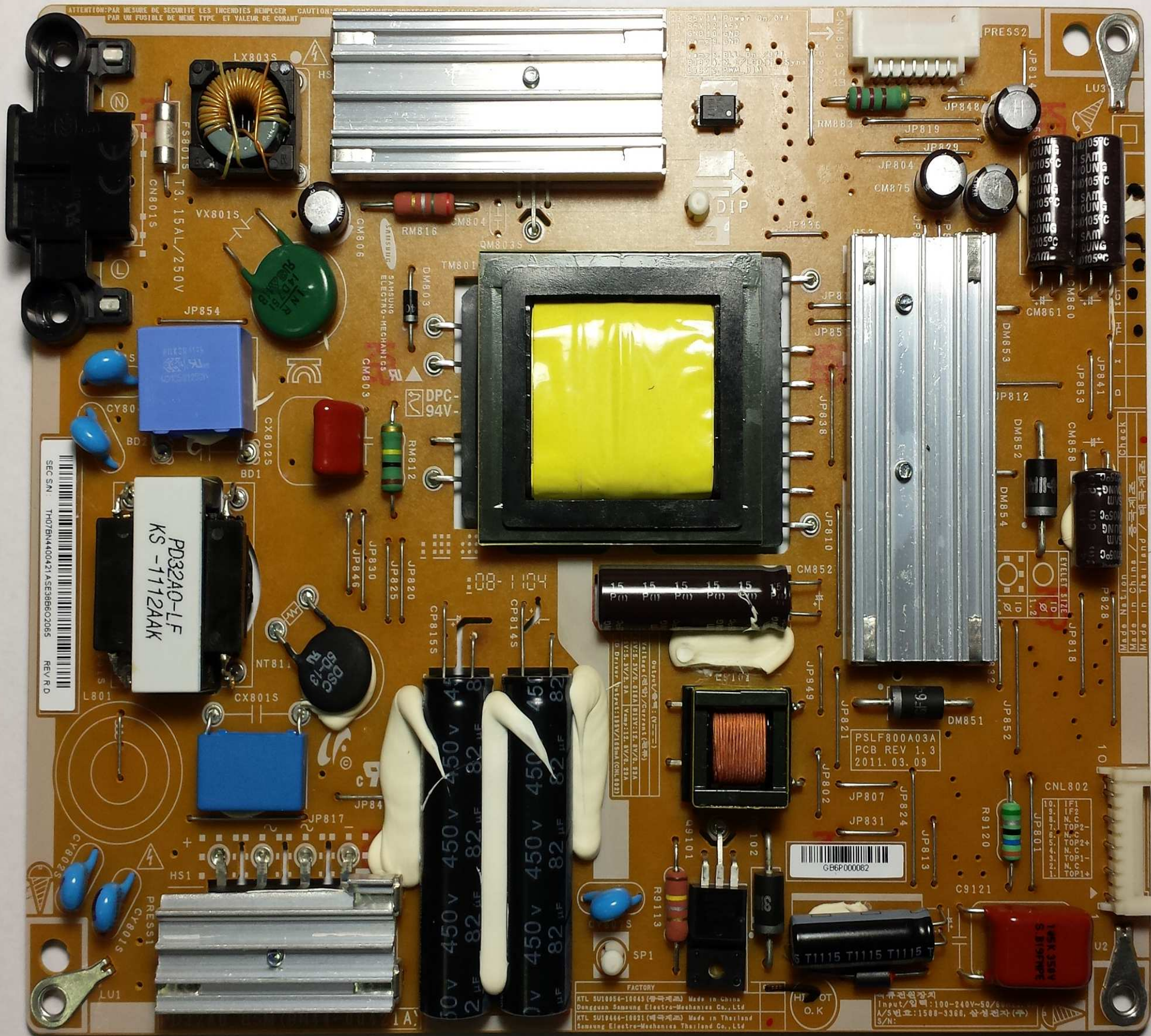
**MAIN BN41-01661B**



## **NB**

Lo schema elettrico è stato rilevato a mano, dal campione di scheda della foto. Non è escluso che vi possano essere delle imprecisioni.

Designed by Nik-Nak		
Title	BN44-00421A	
Size	Document Number	Rev
A3	BN44-00421A.DSN	1.00
Date:	Thursday, April 23, 2015	Sheet 1 of 5



ATTENTION: PAR MESURE DE SECURITE LES INCENDIES REMPLACER CAUTION: FOR YOUR OWN SAFETY REPLACE THE FUSE WITH ONE OF THE SAME TYPE AND CURRENT VALUE

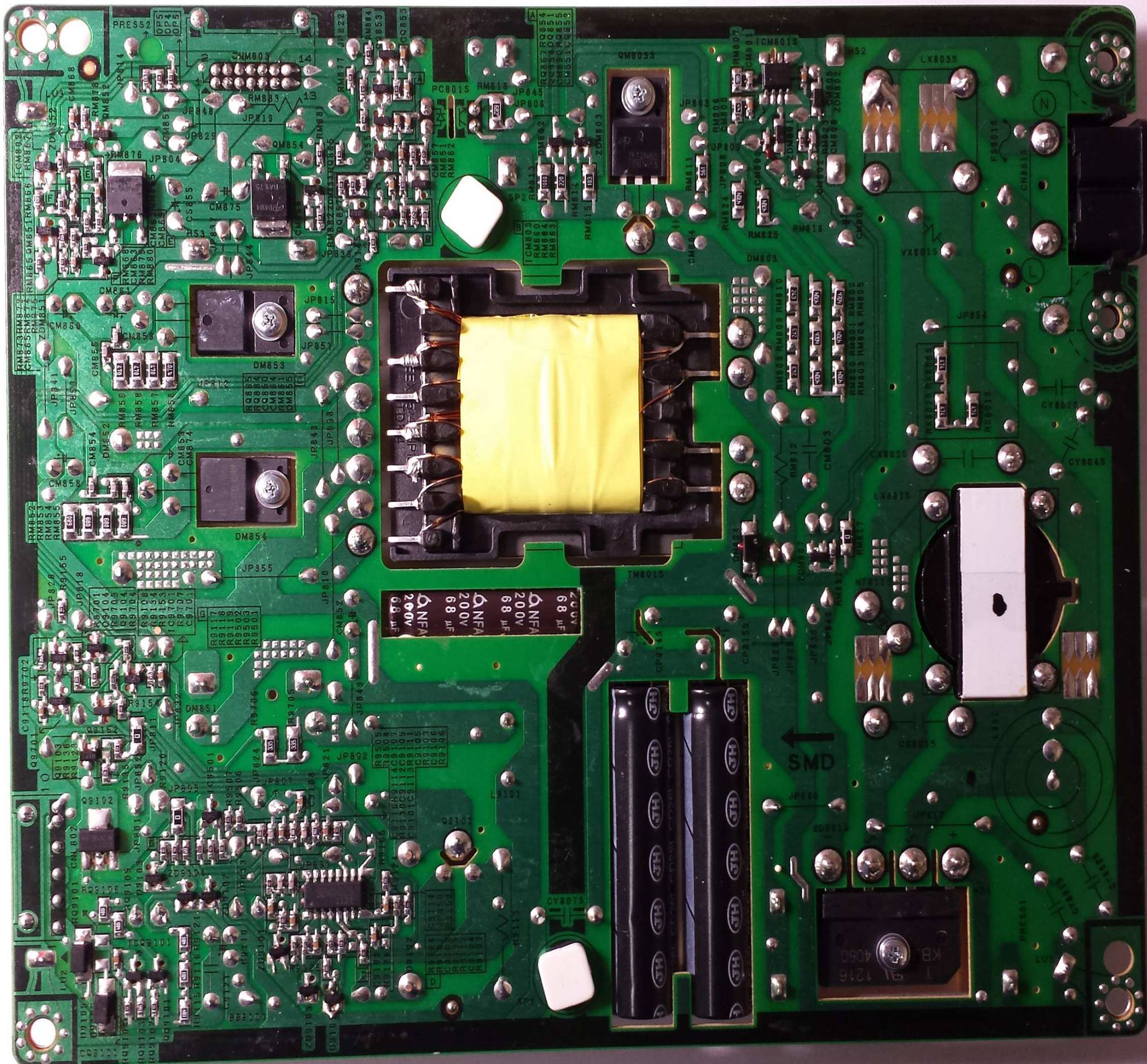
SEC SN: TH07BN4400421ASE3B8602065 REV R.D

PSLF800A03A  
PCB REV 1.3  
2011.03.09

FACTORY  
RTL SU10954-10943 (한국제) Made in China  
Dongguan Samsung Electro-Mechanics Co., Ltd  
RTL SU10466-10021 (태국제) Made in Thailand  
Samsung Electro-Mechanics Thailand Co., Ltd

Designed by Nik-Nak

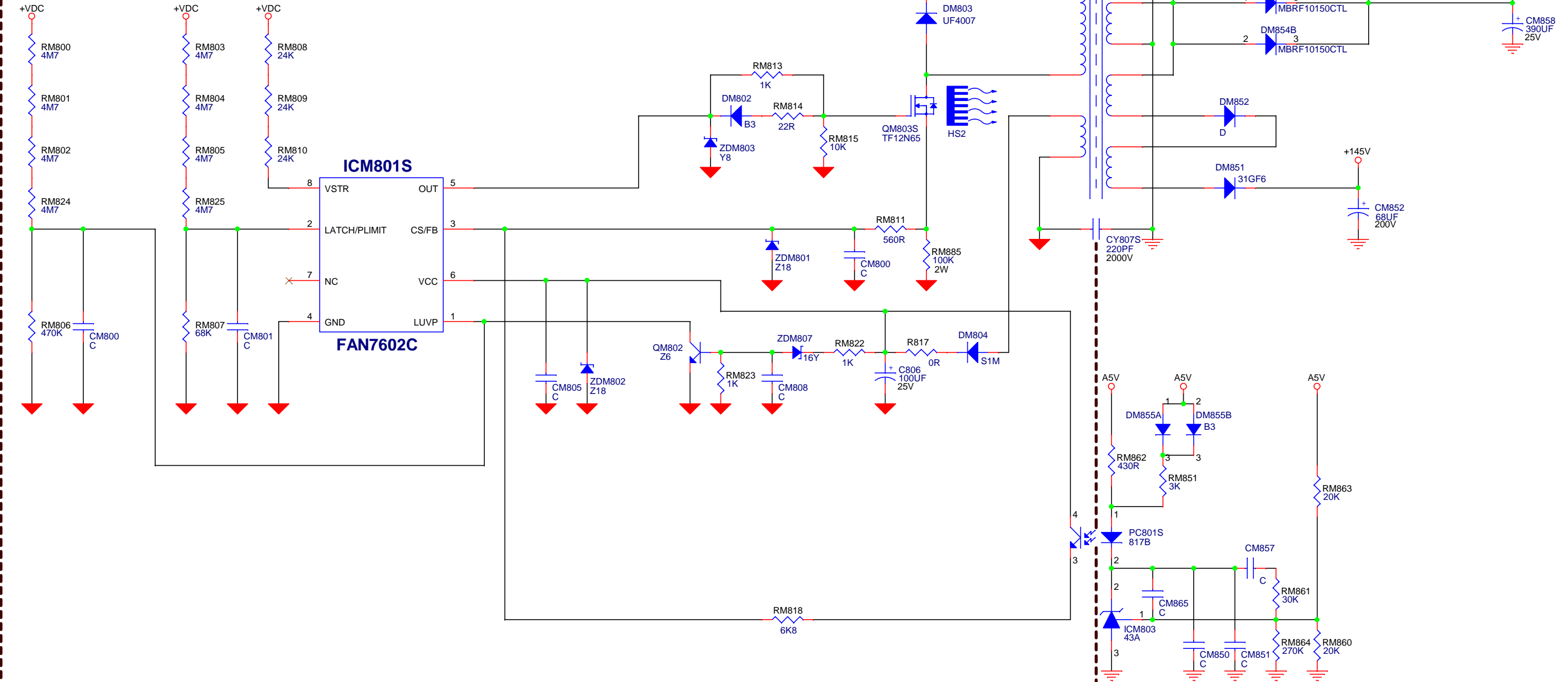
Title			BN44-00421A		
Size	Document Number				Rev
A3	BN44-00421A.DSN				1.00
Date:	Thursday, April 23, 2015		Sheet	2	of 5



Designed by Nik-Nak

Title			BN44-00421A		
Size	Document Number				Rev
A3	BN44-00421A.DSN				1.00
Date:	Thursday, April 23, 2015	Sheet	3	of	5

100-240Vac  
50/60Hz

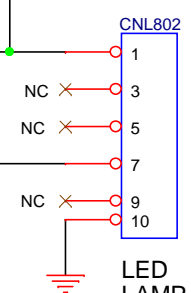
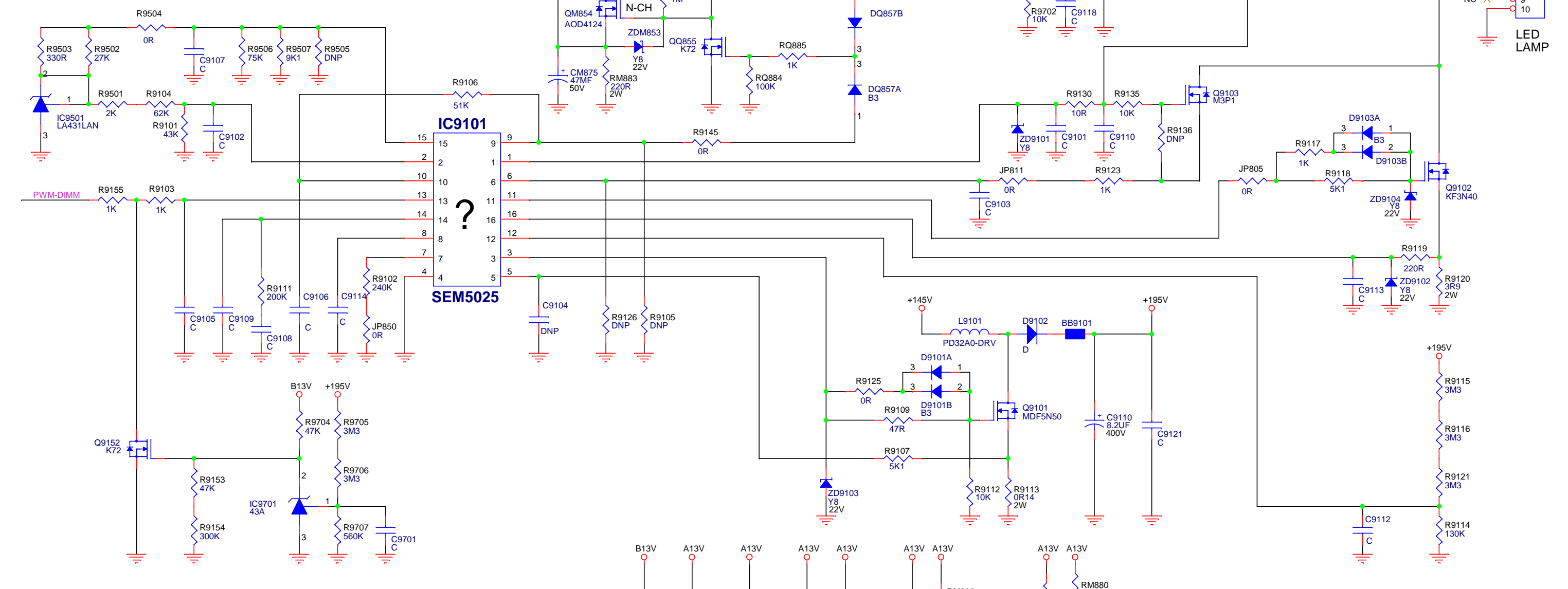
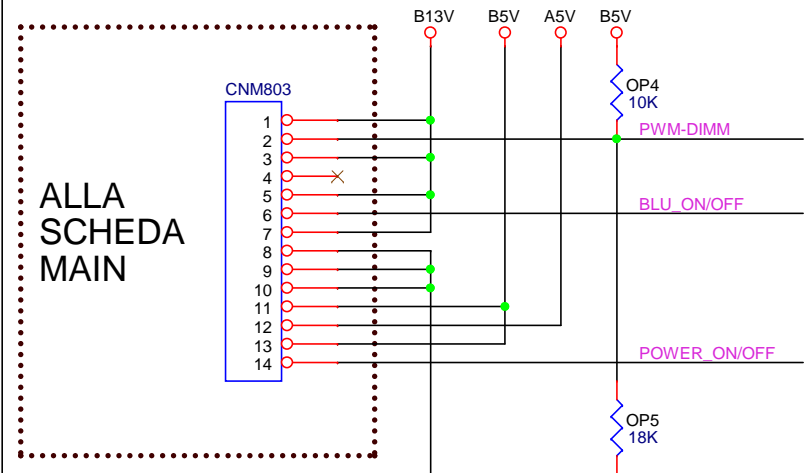


COLD

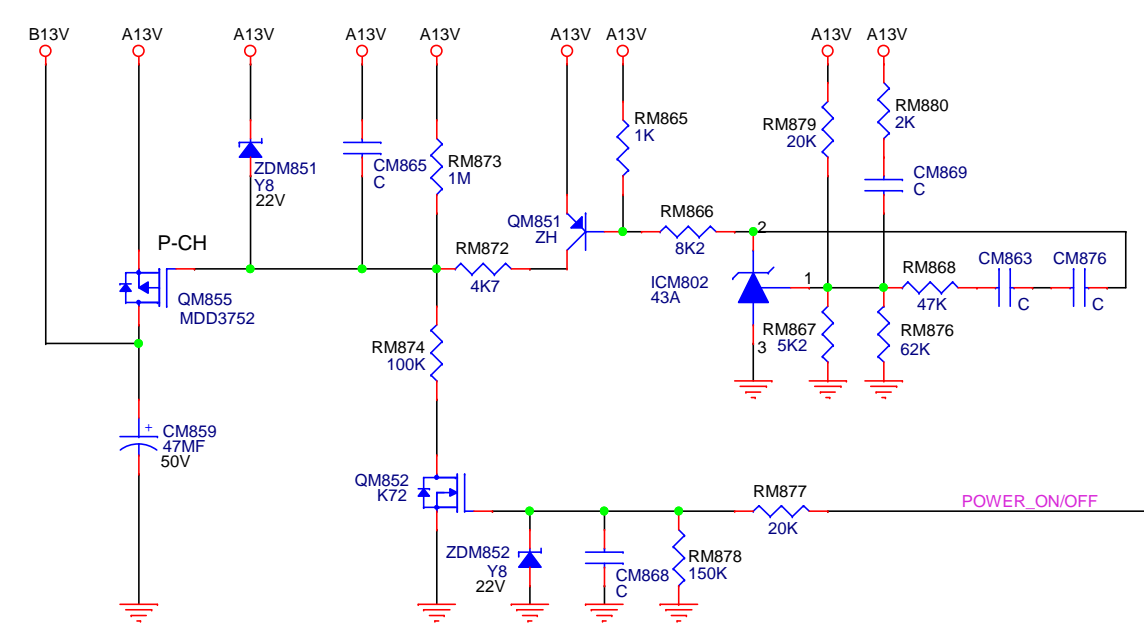
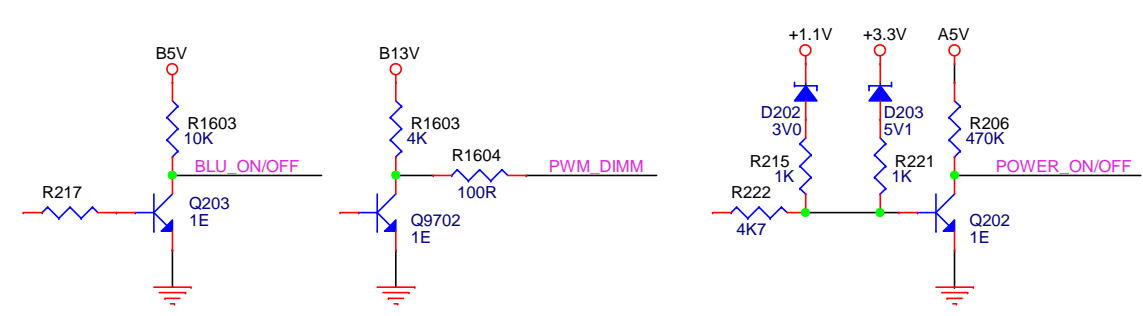
HOT

Designed by Nik-Nak		
Title <b>BN44-00421A</b>		
Size A3	Document Number BN44-00421A.DSN	Rev 1.00
Date: Thursday, April 23, 2015	Sheet 4	of 5

ALLA SCHEDA MAIN



SCHEDA MAIN  
BN41-01661B



Designed by Nik-Nak		
Title <b>BN44-00421A</b>		
Size A3	Document Number BN44-00421A.DSN	Rev 1.00
Date: Thursday, April 23, 2015	Sheet 5	of 5