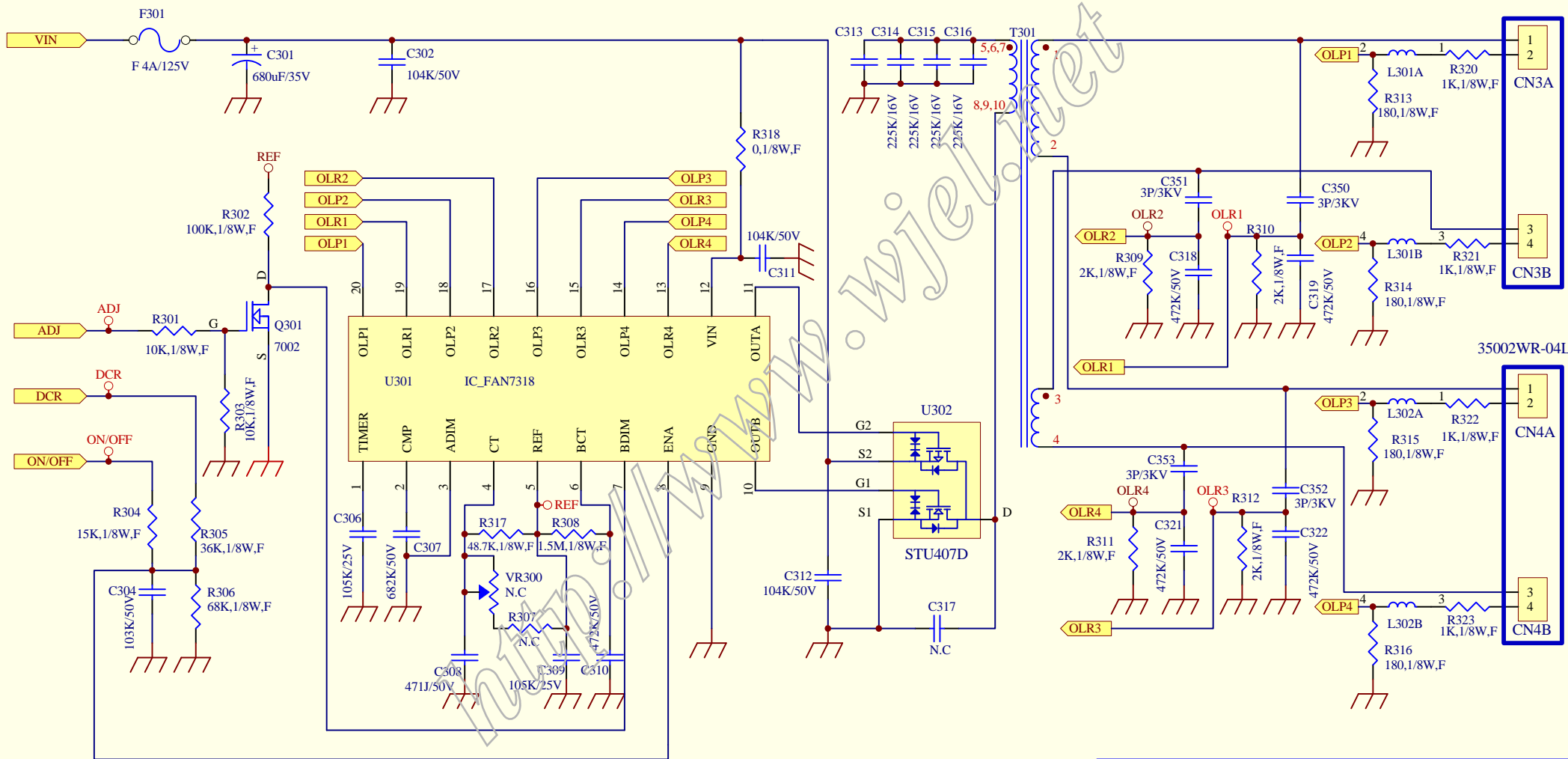
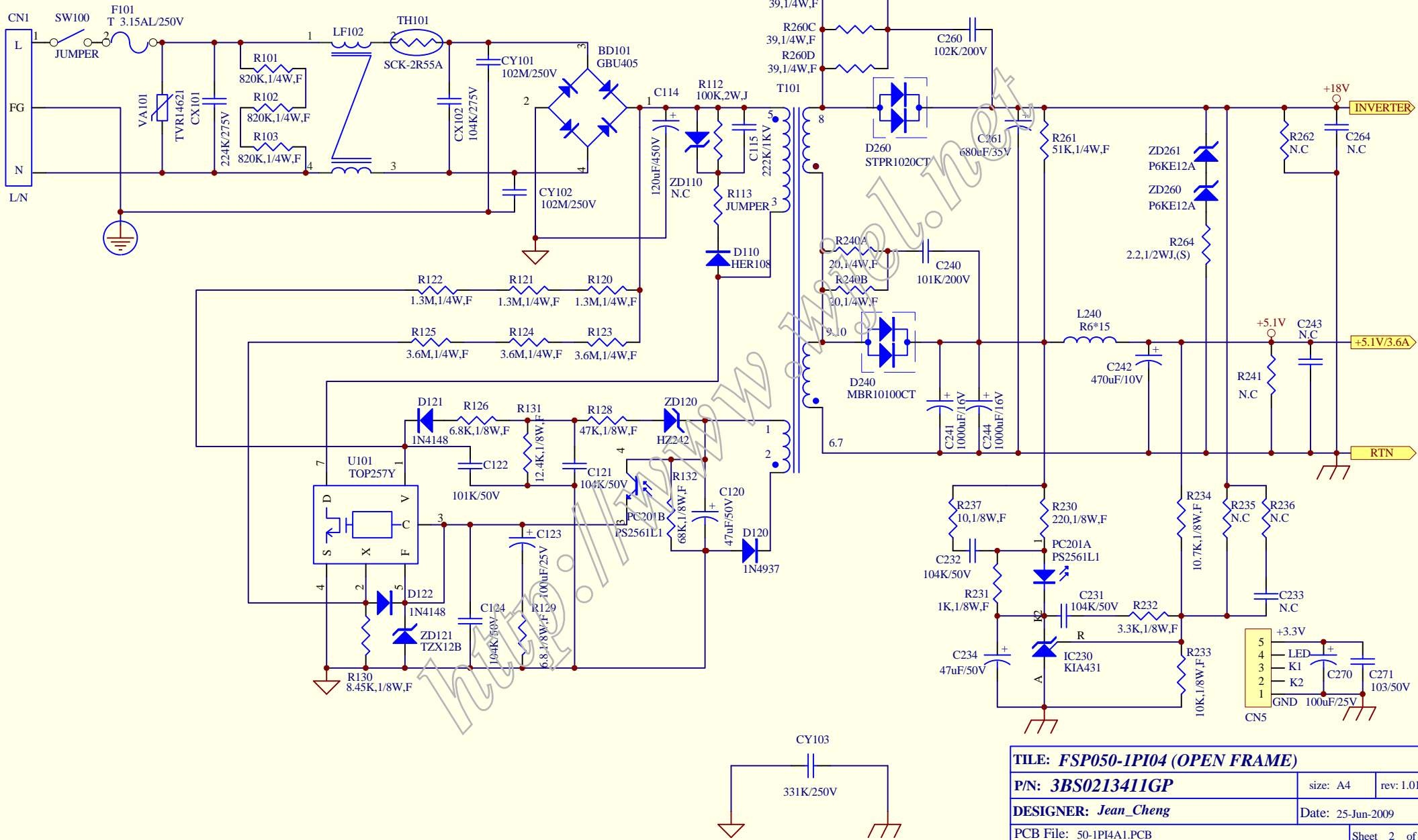


Circuit Drawing

<http://www.wiel.net>



TITLE: FSP050-1PI04/04A (INVERTER)		
P/N: 3BS0213411GP	size: A4	rev: 1.01
DESIGNER: Jean_Cheng		Date: 25-Jun-2009
PCB File: 50-1PI4A1.PCB		Sheet 1 of 2
File: 50-1PI4A0(D).Sch		



TILE: FSP050-1PI04 (OPEN FRAME)		
P/N: 3BS0213411GP	size: A4	rev: 1.01
DESIGNER: Jean_Cheng	Date: 25-Jun-2009	
PCB File: 50-1PI4A1.PCB	Sheet 2 of 2	
File: D:\Layout\FSP050\50-1PI04(SEC)\50-1PI4A1\50-1PI4A1.DDB - Documents\50-1PI4A1.Sch		