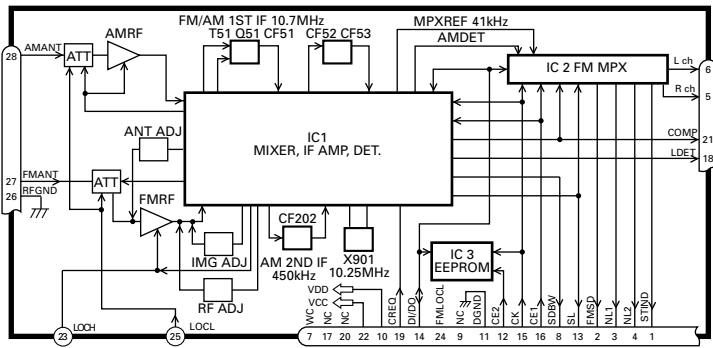


● FM/AM Tuner Unit



No.	Symbol	I/O	Explain
1	STIND	O	stereo indicator "Low" when the FM stereo signals are received. To be pulled up to the "VDD" at 47kΩ.
2	FMSD	O	FM station detector "High" when signals are received. To be pulled up to the "VDD" at 47kΩ Meanwhile, 10kΩ should be used when taking diver FIX trigger from here and "High: 0.9VDD or more" and "Low: 250mV or less". (Should satisfy the diver IC specifications)
3	NL1	O	noise level-1 "High" when noise is received. Output for the RDS. GND at 47kΩ //1,800pF.
4	NL2	O	noise level-2 "High" when noise is received. Output for the RDS. GND at 36kΩ //330pF.
5	Rch	O	R channel output FM stereo "R-ch" signal output or AM audio output. Add the specified de-emphasis constant.
6	Lch	O	L channel output FM stereo "L-ch" signal output or AM audio output. Add the specified de-emphasis constant.
7	WC		write control EEPROM write control. Writing permissible at "Low". Normally open.
8	SDBW	O	SD bandwidth SD bandwidth signal output. For detection of detuning data for the RDS.
9	NC		Not used
10	VDD		power supply Power supply pin for the digital section. DC 5V +/- 0.25V. Be careful about overlapping noise in the logic section.
11	DGND		digital ground Grounding for the digital section.
12	CE2	I	chip enable-2 EEPROM chip enable. Active a "Low" To be pulled up to the "VDD" at 47kΩ
13	SL	I/O	signal level Received FM/AM signal level (strength) output. Connect the specified load resistor and capacitor (10k Ω + 39k Ω //4,700pF)
14	DI/DO	I/O	data input/ data output Data input/Data output To be pulled up to the "VDD" at 47kΩ
15	CK	I	clock Clock input To be pulled up to the "VDD" at 47kΩ
16	CE1	I	chip enable-1 AF-RF chip enable. Active at "High" To be grounded at 47kΩ
17	NC		Not used
18	LDET	O	lock detector Active at "Low". To be pulled up to the "VDD" at 47kΩ
19	CREQ	I	current request Active at "Low". To be grounded at 47kΩ
20	NC		Not used
21	COMP	O	composite signal FM composite signal output. r out < 100Ω
22	VCC		power supply Analog section power supply pin.DC 8.4V +/- 0.3V
23	LOCH	I	local high FM local high pin. When seeking local high, apply 5V together with "LOCL".
24	FMLOCL	I	FM local low FM local low pin. When seeking local low, apply 5V to the base of the NPN transistor with which the specified resistor is being connected to the emitter. Keep it open in case of ordinary marketed models.
25	LOCL	I	local low FM/AM local low pin. When seeking local low, apply 5V to the base of the NPN transistor. Since this pin is exclusive for AM when the FMLOCL is in use, do not drive it under FM.
26	RFGND		RF ground Grounding for the antenna section.
27	FMANT	I	FM antenna input FM antenna input. 75Ω. Surge absorber (DSP-201M-S00B) is necessary.
28	AMANT	I	AM antenna input AM antenna input. High impedance. Connect to the antenna through an L (LAU type) of 4.7μH.To cope with the power transmission line hums, insert a series circuit consisting of an L (a coil of about 100mH) + R (a resistor of 470 Ω to 2.2kΩ) between the GND.